

WHIRLPOOL BRAND COMMERCIAL WASHERS

LARGE CAPACITY WASH BASKET

- Ideal for Handling Family Size Loads
- Extra-Large Door Opening
- See through Door Window

PORCELAIN FINISH

- Porcelain Finish on Top with Integrated Backsplash
- Resists Chipping and Scratching

LARGE CAPACITY METERCASE

- Larger Coin Box for Reduced Collections
- Accepts Coinslides, Coindrops, Card Readers and Can be Set Up for OPL Non-Coin Use

MICROPROCESSOR CONTROLS

- Time Remaining Display
- Front Controls for Ease-of-Use
- Debit Card Compatible
- Time of Day Pricing
- Cycle Based Pricing

AUTOMATIC DETERGENT, SOFTENER AND BLEACH DISPENSER

HIGH EFFICIENCY DESIGN OFFERS SIGNIFICANT UTILITY SAVINGS

- MEF 2.1
- WF 4.45
- ENERGY STAR® Rated
- CEE Tier II

SOFT MOUNT DESIGN FOR EASY INSTALLATIONS

ADA COMPLIANT WITH OPTIONAL PEDESTAL



**INDUSTRIAL
STRENGTH WATER
INLET HOSES**
Tested to 600 PSI

HIGH EFFICIENCY COMMERCIAL WASHER

Featuring Microprocessor Controls



Shown with optional pedestal, coin drop and box.

MEF 2.1
WF 4.45

ENERGY STAR®
RATED

CEE Tier II

CHW9900VQ – 27" Washer With Metercase

Machine Accepts the Following Payment Systems (not included):

- Coin Slide
 - Retrofit Coin Drop
 - Retrofit Card Reader
 - OPL Non-Coin Money Acceptor and Coin Box Covers
- 2.99 Cu. Ft. Wash Basket
 - Push Button Controls
 - High Efficiency, Low Water Factor
 - Combination of 9 Cycle Options
 - Variable Speed Motor for Best Cleaning Performance
 - Front Control Panel 24° Angle
 - Automatic Water Level Control
 - Porcelain Finish on Top with Backsplash Resists Chipping and Scratching
 - High Speed Spin 800 RPM (approx.), Reduces Dry Time
 - Removable Front Service Panel
 - Commercial Grade Water Inlet Hoses with Brass Couplings
 - **3 Year Limited Parts Only Warranty***
 - **Money Acceptors Sold Separately**

*Call 1-800-NO-BELTS for warranty details

To Locate a Distributor Near You, Please Visit www.whirlpoolcommerciallaundry.com/distributor, or call 1-800-NO-BELTS

COMMERCIAL WASHER SPECIFICATIONS

Whirlpool® Front-Load Washer MICROPROCESSOR CONTROLS

WASHER SPECIFICATIONS

| | |
|---|------------------|
| MODEL | CHW9900VQ |
| MOTOR | |
| Variable-speed, reversible, thermoprotected, high-efficiency controlled induction | |
| Wash – HP (kw) | .09 (.07) |
| Extract – HP (kw) | .54 (.40) |
| Average kilowatt per cycle | .08 |
| APPROXIMATE WATER USAGE – gallons (liters) | |
| Average hot water usage, hot cycle | 3.5 (13.2)** |
| Average hot water usage, warm cycle | 2.6 (9.8)** |
| Average total water usage per cycle | 13.3 (50.3)** |
| ELECTRICAL RATING | |
| Domestic model – voltage | 120V/60Hz |
| BREAKER/FUSE REQUIREMENTS | |
| Domestic amps | 15 |
| CYLINDER | |
| Volume – cu. ft. (liters) | 2.99 (84.7) |
| Diameter – in. (mm) | 21.6 (547) |
| Depth – in. (mm) | 13.4 (341) |
| DOOR OPENING | |
| In. (mm) | 14.2 (361) |
| WASH SPEED | |
| RPM | 31-40 |
| EXTRACT SPEED | |
| Maximum rpm | 800 |
| Maximum g-force | 214 |
| OPERATING PRESSURE | |
| Psi (bar) | 20-100 (1-8) |
| INLET HOSE | |
| Ft. (m) | 4 (1.22) |
| DRAIN HOSE | |
| Ft. (m) | 6 (1.83) |
| ADJUSTABLE LEVELING LEGS | • |
| APPROXIMATE WEIGHT | |
| Crated — lbs. (kg) | 263 (119.3) |
| Uncrated — lbs. (kg) | 247 (112.0) |
| DIMENSIONS | |
| Width — in. (mm) | 27 (685.8) |
| Depth — in. (mm) | 29 (736.6) |
| Height — in. (mm) | 44.80 (1137.92)* |

* Height at metercase top does not include pedestal.

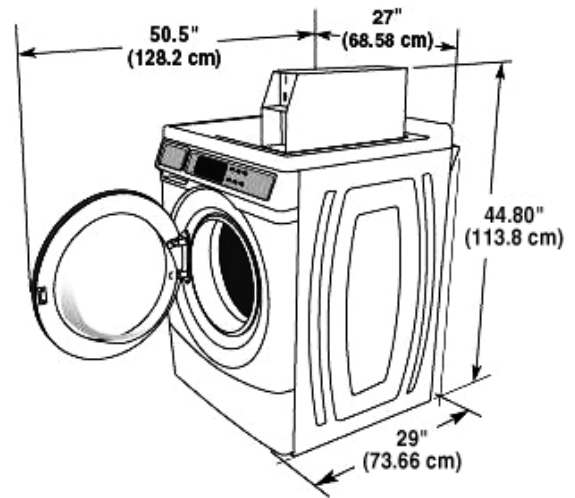
**Average based on J1 testing with factory installed preset cycles.

See specific instructions for proper installation. Because of continuous product improvement, Whirlpool reserves the right to change specifications without notice.

Pedestal Single Box Kit #WHP0400VW

Pedestal Pack of 10 Kit #WHP0401VW

Whirlpool® Commercial Washer ENERGY STAR® RATED HIGH-EFFICIENCY FRONT-LOAD WASHER



Dimensions are for planning purposes only.
See Whirlpool® Installation Instructions for full details.



NEW YORK CITY
M.E.A.



3 YEARS LIMITED PARTS ONLY WARRANTY

For a period from the date of original purchase through the time listed above, the designated parts that fail in normal commercial use will be repaired or replaced free of charge for the part itself, with the owner paying all other costs, including labor, transportation and customs duty. Chemical damage is excluded from all warranty coverage. See complete warranty for details.

To Locate a Distributor Near You, Please Visit www.whirlpoolcommerciallaundry.com/distributor, or call 1-800-NO-BELTS

Free Manuals Download Website

<http://myh66.com>

<http://usermanuals.us>

<http://www.somanuals.com>

<http://www.4manuals.cc>

<http://www.manual-lib.com>

<http://www.404manual.com>

<http://www.luxmanual.com>

<http://aubethermostatmanual.com>

Golf course search by state

<http://golfingnear.com>

Email search by domain

<http://emailbydomain.com>

Auto manuals search

<http://auto.somanuals.com>

TV manuals search

<http://tv.somanuals.com>