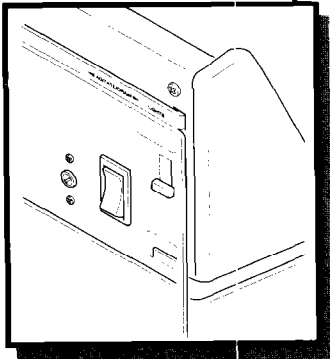
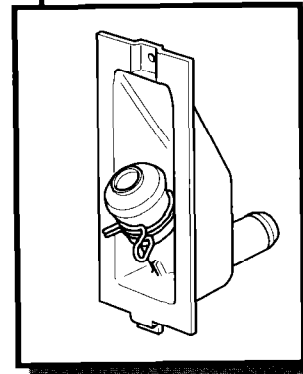
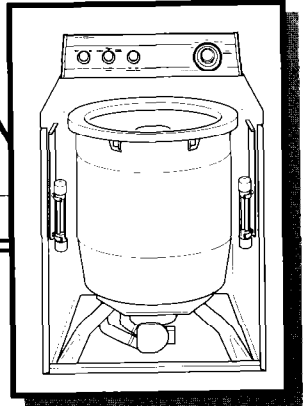
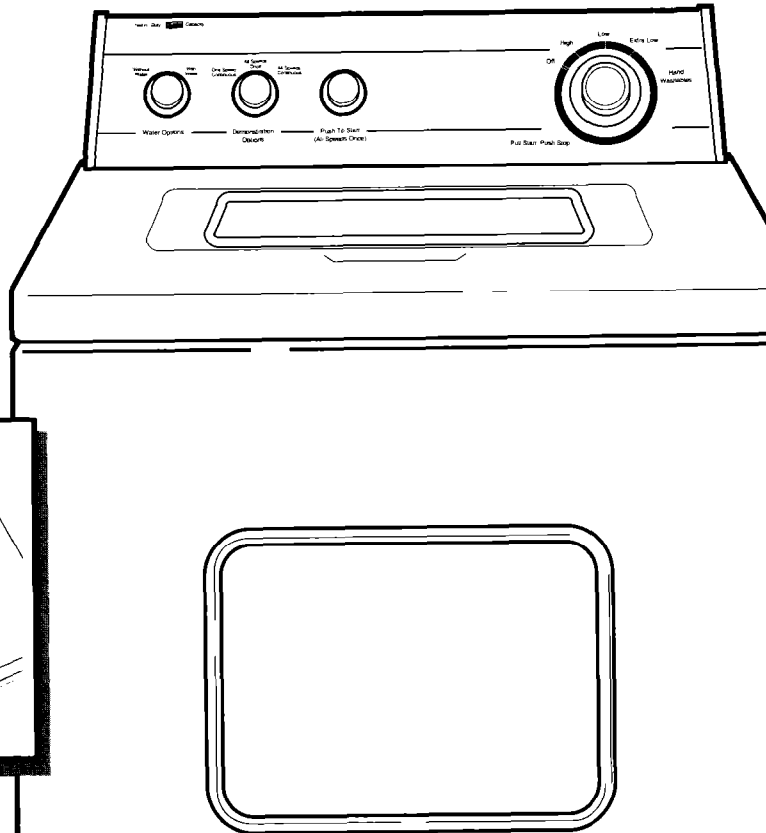


See-Through Washer Installation & Operating Guide



Model No.
LSR4311DQ0



**Display Unit Only
Not For Resale**

If you have any problems or questions regarding
your See-Through Washer, please contact your
Whirlpool Account Manager or
Field Marketing Representative
or call toll-free:

1-800-253-1301



Unit Not for Resale!

Whirlpool Corporation has built this demonstration unit to show your customers how Whirlpool Automatic Washers create rollover at all agitation speeds with the new Xtra Roll Action™ Agitator.

**TO ORDER SEE-THROUGH WASHER
FREE DEMO MATERIALS,
CALL WHIRLPOOL FULFILLMENT:
1-800-643-3444**

Have the form numbers ready for the items you need:

1 See-Through Washer Instruction Manual # WWLL053
(included in your demonstration kit)

200 Red/White/Blue Chips # WWLD041
(included in your demonstration kit)

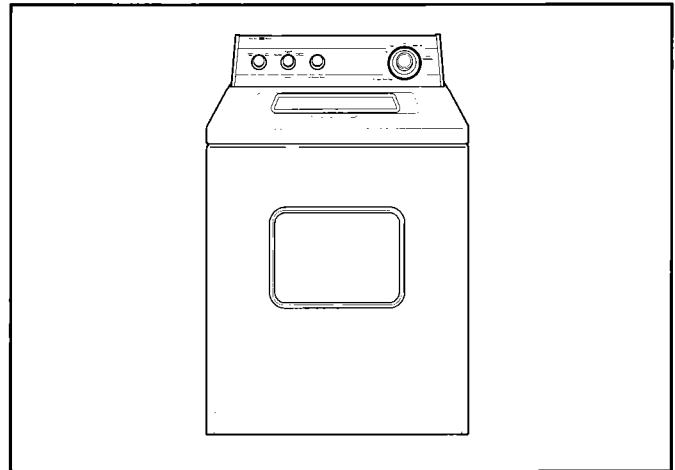
10 White Poly-Cotton Swatches # WWLP121
(not included in your demonstration kit)

1 Point-of-Purchase Kit should accompany your see-through washer upon delivery. Please call the above number if you did *not* receive one, and order form #WWLP118.

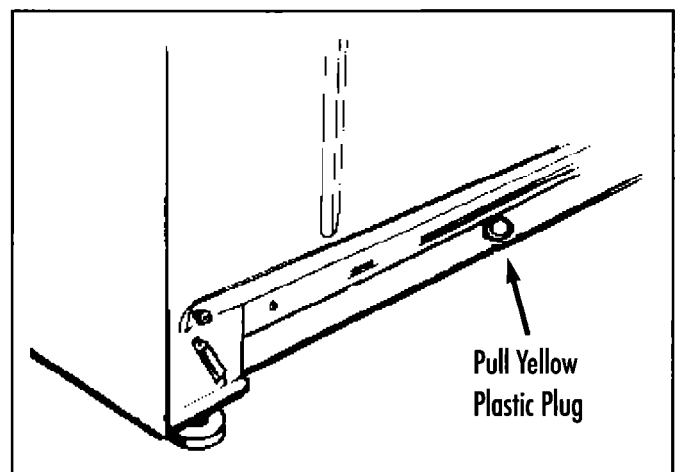
Installation Instructions

Your demo model must be installed using the following manual fill method.

- 1** Place the Unit into position on the sales floor, preferably on an end cap next to a Whirlpool 3-Speed washer.



- 2** With pliers, remove the yellow plug at the base of the washer in the back. The plug must be completely removed for the self-leveling legs to be released.

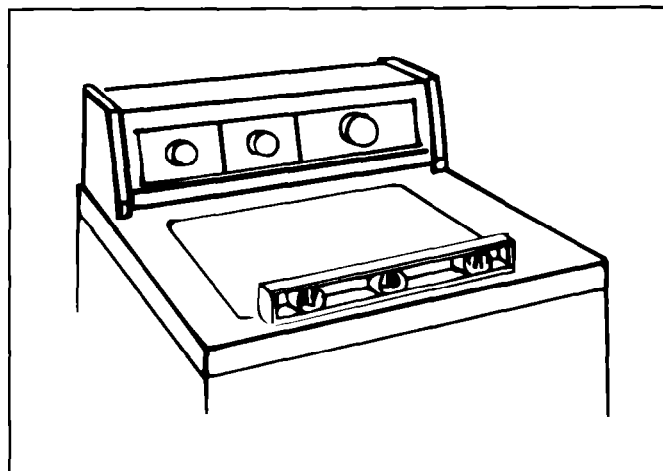


- 3** Insert leveling legs into correct holes at each front corner of washer until nuts touch washer. Do not tighten nuts until step 6.



Installation Instructions

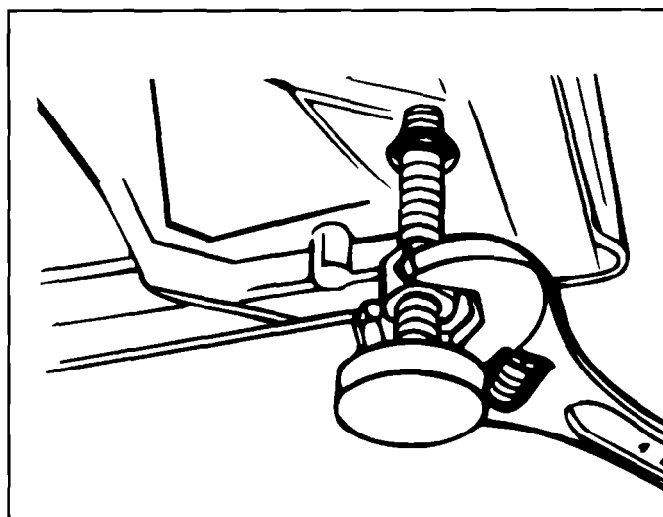
- 4** Tilt washer forward, raising back legs 1" off of floor to adjust rear self-leveling legs. Gently lower washer to floor. Check levelness of the washer by placing a carpenter's level on the top of the washer, first side to side; then front to back.



- 5** If washer is not level, screw the front legs up or down to adjust and repeat step 4.

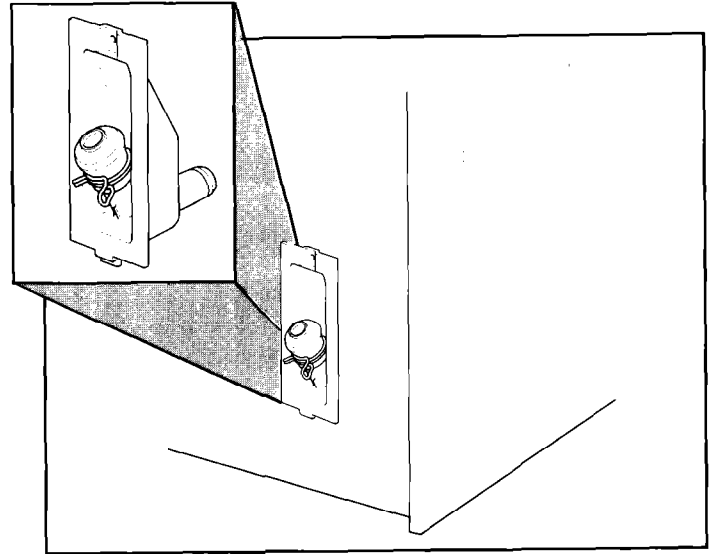


- 6** Once the washer is level, use wrench to turn nuts on front legs up tightly against washer base. If nuts are not tight against washer base, the washer may vibrate.

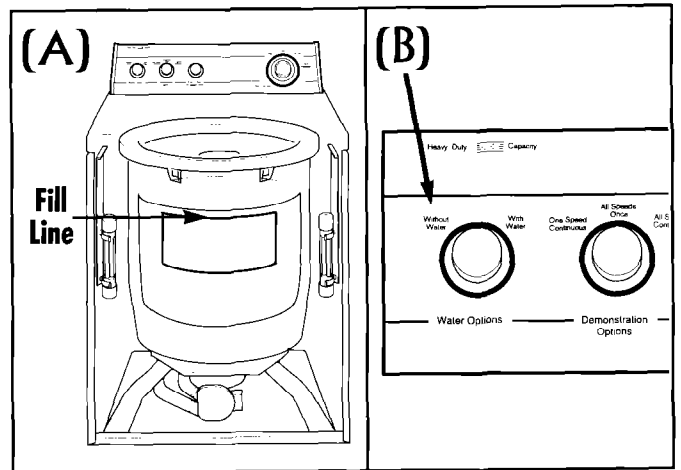


Installation Instructions

- 7** Verify that the drain plug is secured in the drain port as shown.



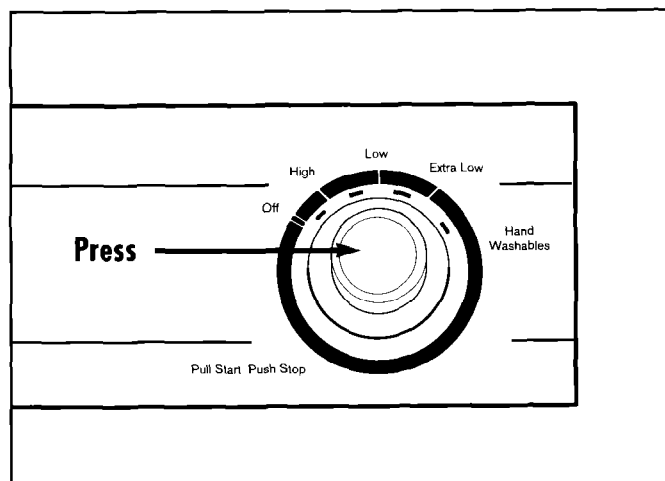
- 8** Manually fill the basket (using a bucket or garden hose) with 20-23 gallons of water (A). Fill to top of gasket on basket. Set the Water Options dial to "Without Water." (B)*



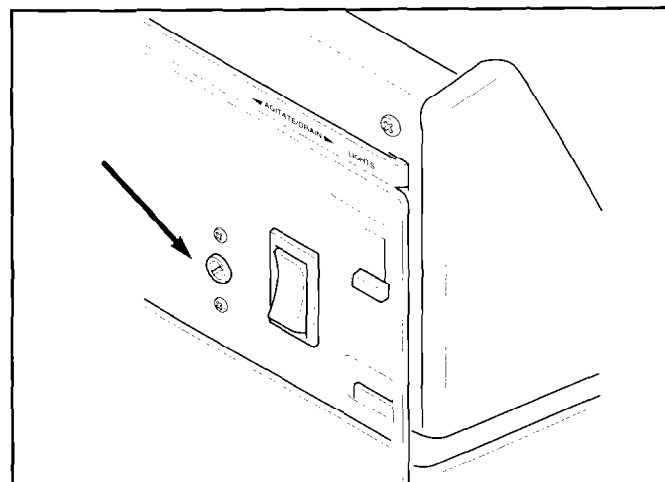
** If you are running the demonstration model without any water at all, you must add at least 1 pint of water to the basket for proper operation. Check regularly for evaporation and repeat as needed.*

Installation Instructions

- 9** Push the Timer dial in (Washer is now in OFF position)

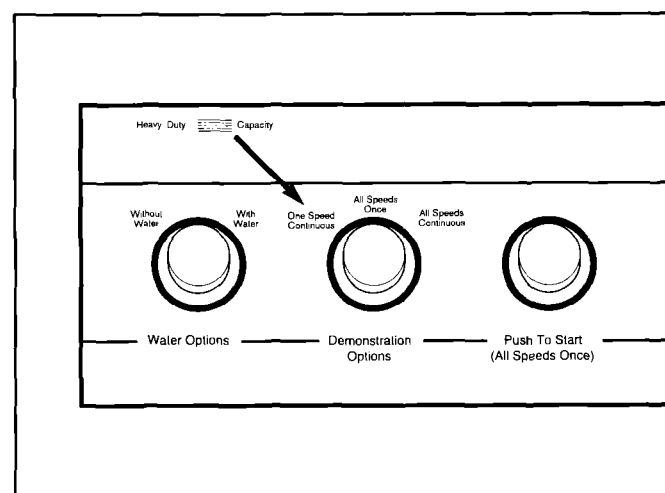


- 10** With a screwdriver, turn the Drain / Agitate Switch on the back of the washer to "Agitate"



- 11** Load the 200 colored chips into the machine. (See Page 1 for how to order your free demo swatches.)

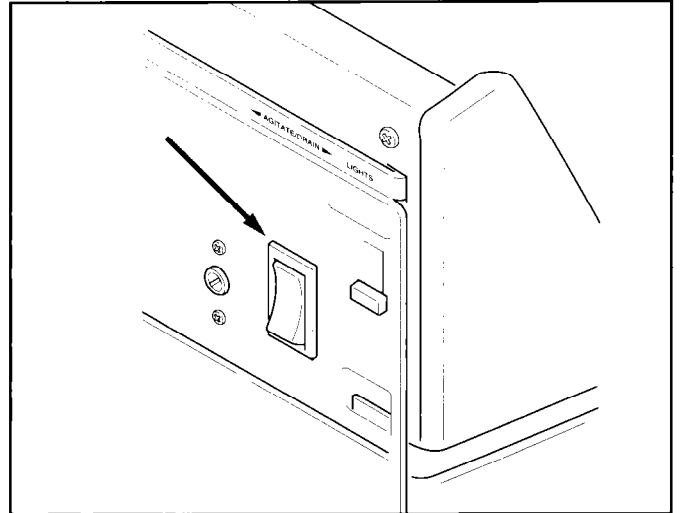
- 12** Set the Demonstration Options dial to desired function ("All Speeds Continuous" is the recommended demonstration mode)



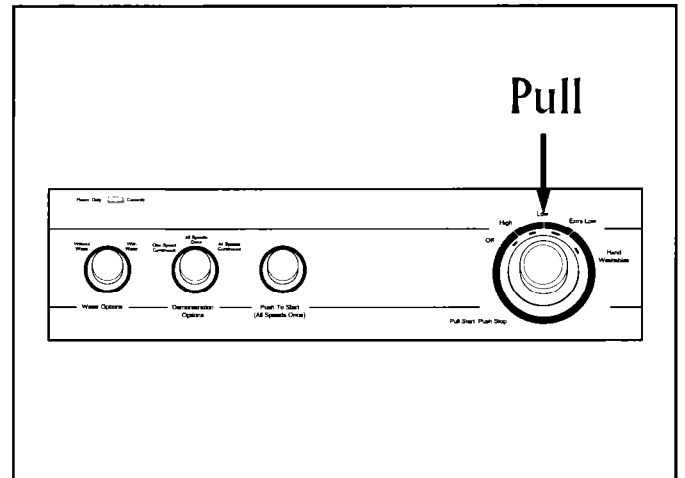
Installation Instructions

- 13** Plug-in the unit using a 20 amp 3-pronged, electrically grounded extension cord not longer than 50 feet.

- 14** Turn the lights on with the Light rocker switch on the back of the machine.



- 15** Pull the timer on.

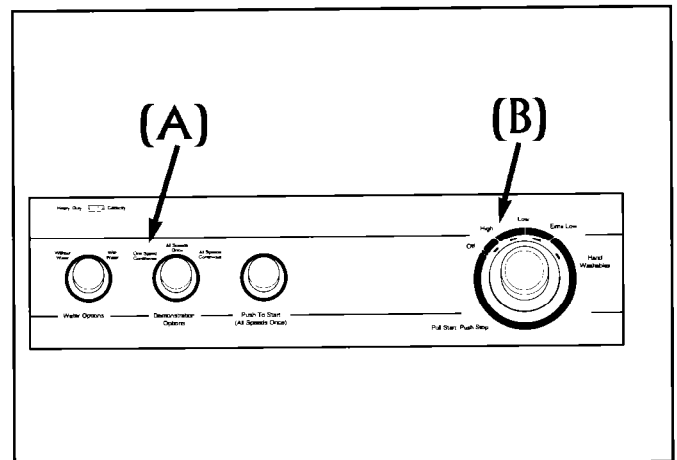


- 16** The unit may now be operated using the Demonstration Options listed in the Demonstration Instruction section of this manual.

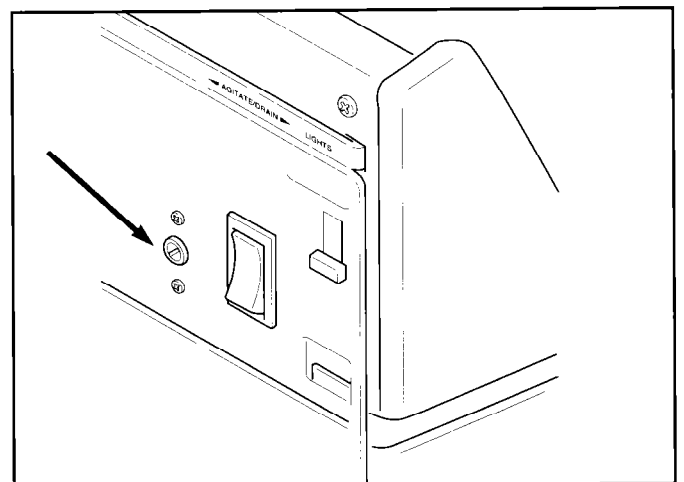
To Drain Unit

① Water may be siphoned into a drain or 25-gallon container on wheels.

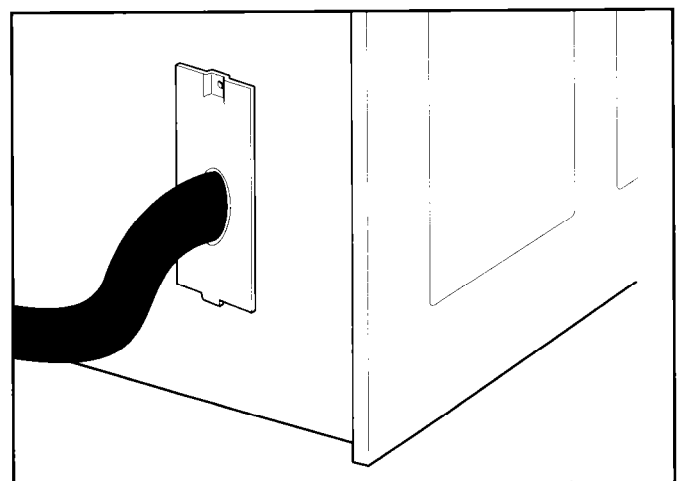
② To change from plug to drain hose, turn machine off and put option dial to "One Speed Continuous" (A). Turn the timer dial to HIGH speed (B).



③ With a screwdriver turn the Drain/Agitate switch to "Agitate" and turn the machine on.




④ While machine is agitating, remove plug cap and put drain hose on. Some water may drip out or spill. Turn machine OFF and turn Drain/Agitate switch to DRAIN. Direct a drain hose into a drain (or a 25-30 gallon trash container with wheels also works).



Demonstration Kit & Materials

- ① 1 Hanger - for hanging this booklet on the back of the unit.
- ② 200 colored chips
- ③ 1 Service Request Fax Form (on back page of Instruction Manual). Make Xerox copies as needed.
- ④ 10 Poly-Cotton Swatches can be obtained by ordering through Whirlpool Fulfillment.
(See page 1)

Demonstration Tip



Only use the poly-cotton swatches provided by Whirlpool Fulfillment in your demonstrations. These poly-cotton swatches have been tested to sustain many hours of agitator demonstrations. Other fabrics, when left standing in water, or agitating for long periods of time, will become mildewed and weak, as well as cause the water to cloud.

Care for the See-Through Washer

- Keep the viewing glass clean by wiping down with a soft cotton cloth.
DO NOT USE PAPER TOWELS. THEY WILL SCRATCH THE SURFACE.
- It is important to keep the water in the demonstration model clean and clear for the best visibility inside the washer. When you notice the water is becoming cloudy or dirty, it is time to change the water.
- Limited contact with the water helps keep it cleaner longer. The Point-of-Sale piece that lays on the washer-top is intended to help keep customers from opening the lid.

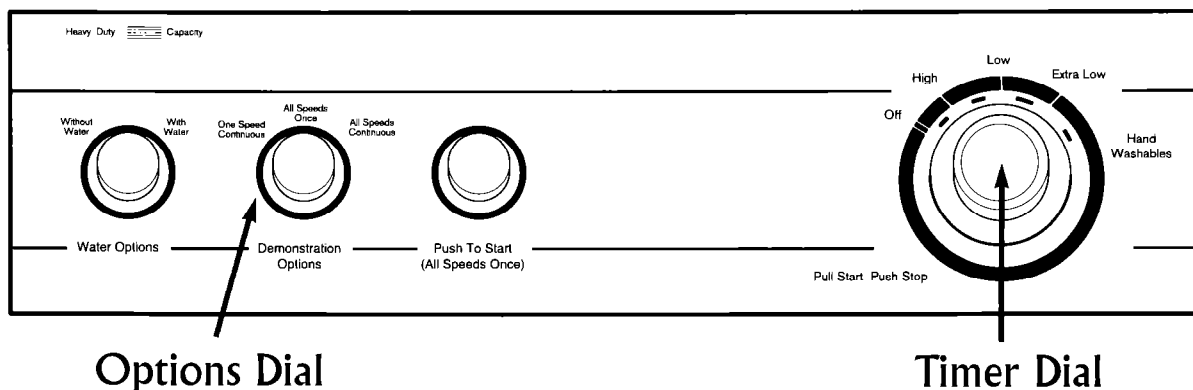
Demonstration Tip

For the cleanest water and most effective demonstration, change the water inside the washer once or twice a month. Frequency of water changes will be determined by the type of water in your city.

Operating Instructions

You and your customers have three demonstration options to choose from

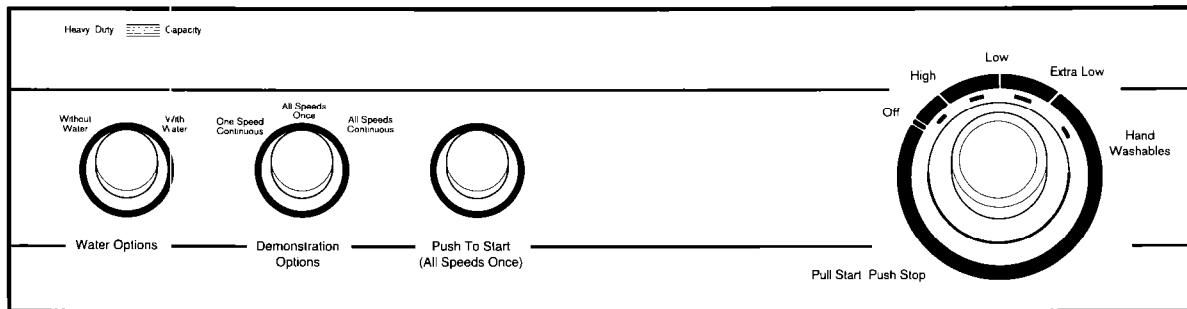
- ① ***All Speeds Continuous – preferred operation mode***
 - Set Demonstrations Options dial to “All Speeds Continuous”
 - Pull Timer on
- ② ***All Speeds Once – demonstrate each mode once***
 - Set Demonstrations Options dial to “All Speeds Once”
 - Pull Timer on (will operate until timer reaches OFF position)
 - Push to start or restart
- ③ ***One Speed Continuous – demonstrate one mode only***
 - Set Demonstrations Options dial to “One Speed Continuous”
 - Set Timer dial to desired demonstration speed High, Low, Extra Low, Hand Washables
 - Pull timer on



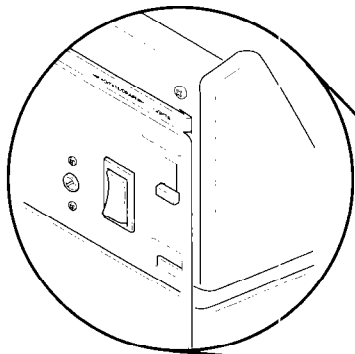
Demonstration Tip

If you are running the demonstration unit non-stop for more than 4 hours, set the Options Dial to “All Speeds Continuous.”

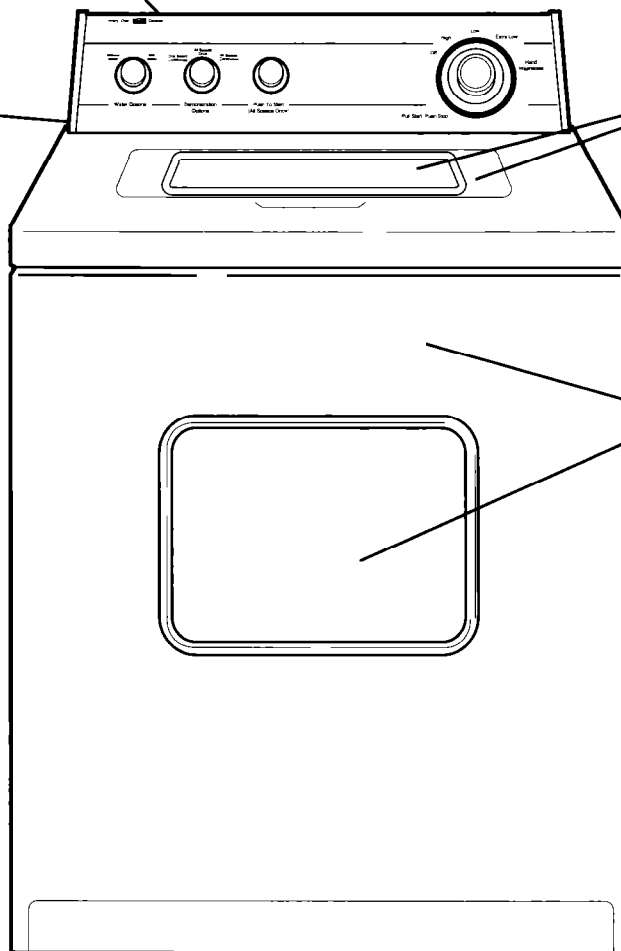
Unique Parts for Service



Control Panel



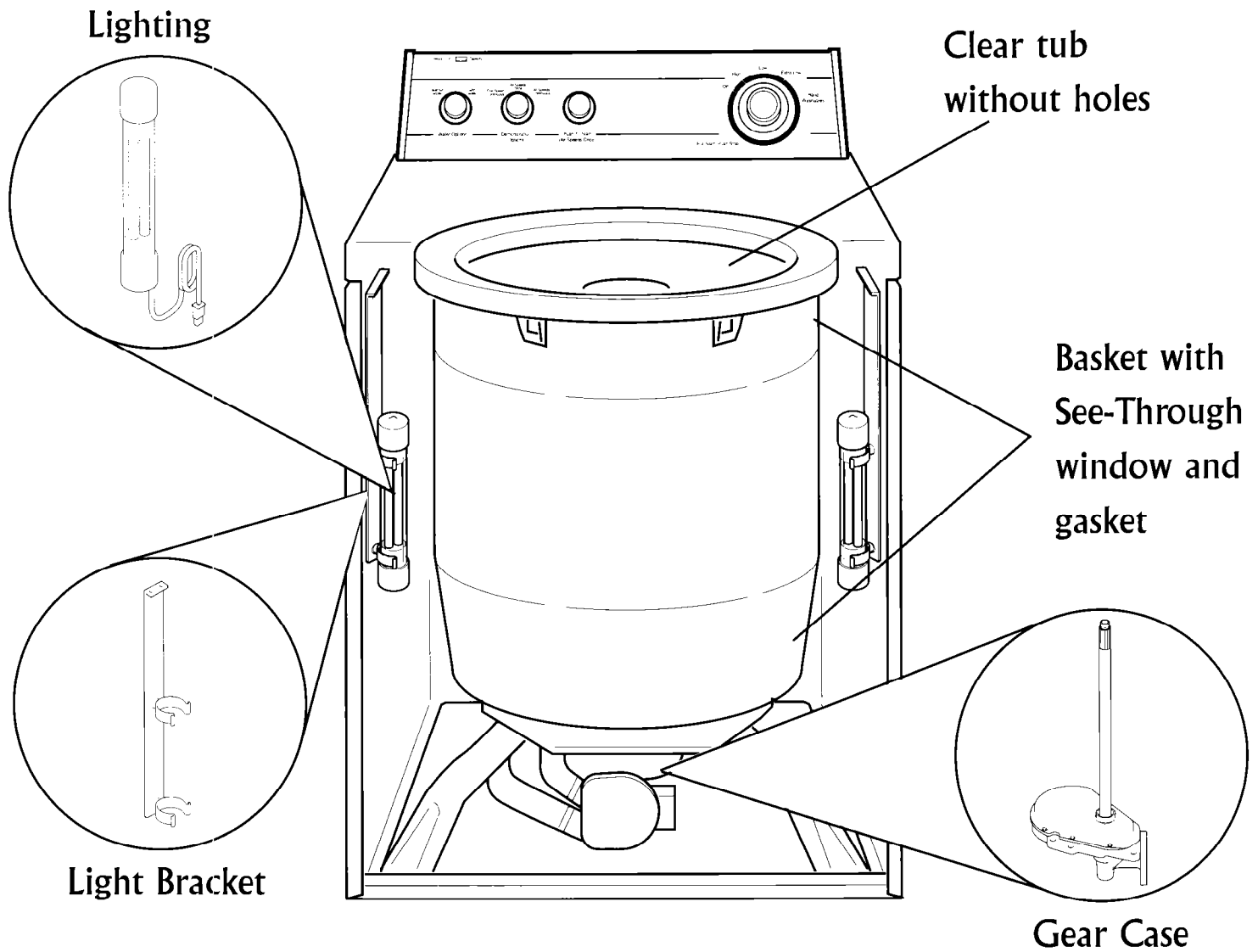
Light and Drain/Agitate Switches on back of console



Lid Assembly consisting of lid, lid cutout and lid window

Front Panel Assembly consisting of front panel cutout and window

Unique Parts for Service



Whirlpool is Responsible for the Following:

- Labor and parts for repairing the unit
- Furnishing demonstration materials
- Hauling the unit after demonstration



**TO
REQUEST
SERVICE**

FAX to: CAC Partner Team
FAX PH#: 1-800-545-9093
Note: Please contact a local servicer and request
service for the washer below

SERVICE REQUEST FOR WHIRLPOOL SEE-THROUGH WASHER

**DEALER
INFORMATION**

Store Name: _____
Store #: _____
Contact Person: _____
Phone #: _____
Store Address: _____

**WASHER
INFORMATION**

Model #: LSR4311DQ0
Serial #: _____
**Description of
Problem:** _____

SERVICE INSTRUCTIONS

**Please contact the dealer listed. Please arrange to service the washer
IMMEDIATELY.**

Bill Rework #R22591 for all labor and common parts.

FAX: 800-670-9855 for all unique parts. PHONE: 800-259-7278

**CAC
ROUTING
INFORMATION**

Service Name: _____
Service Ph #: _____
Service FAX: _____

Free Manuals Download Website

<http://myh66.com>

<http://usermanuals.us>

<http://www.somanuals.com>

<http://www.4manuals.cc>

<http://www.manual-lib.com>

<http://www.404manual.com>

<http://www.luxmanual.com>

<http://aubethermostatmanual.com>

Golf course search by state

<http://golfingnear.com>

Email search by domain

<http://emailbydomain.com>

Auto manuals search

<http://auto.somanuals.com>

TV manuals search

<http://tv.somanuals.com>