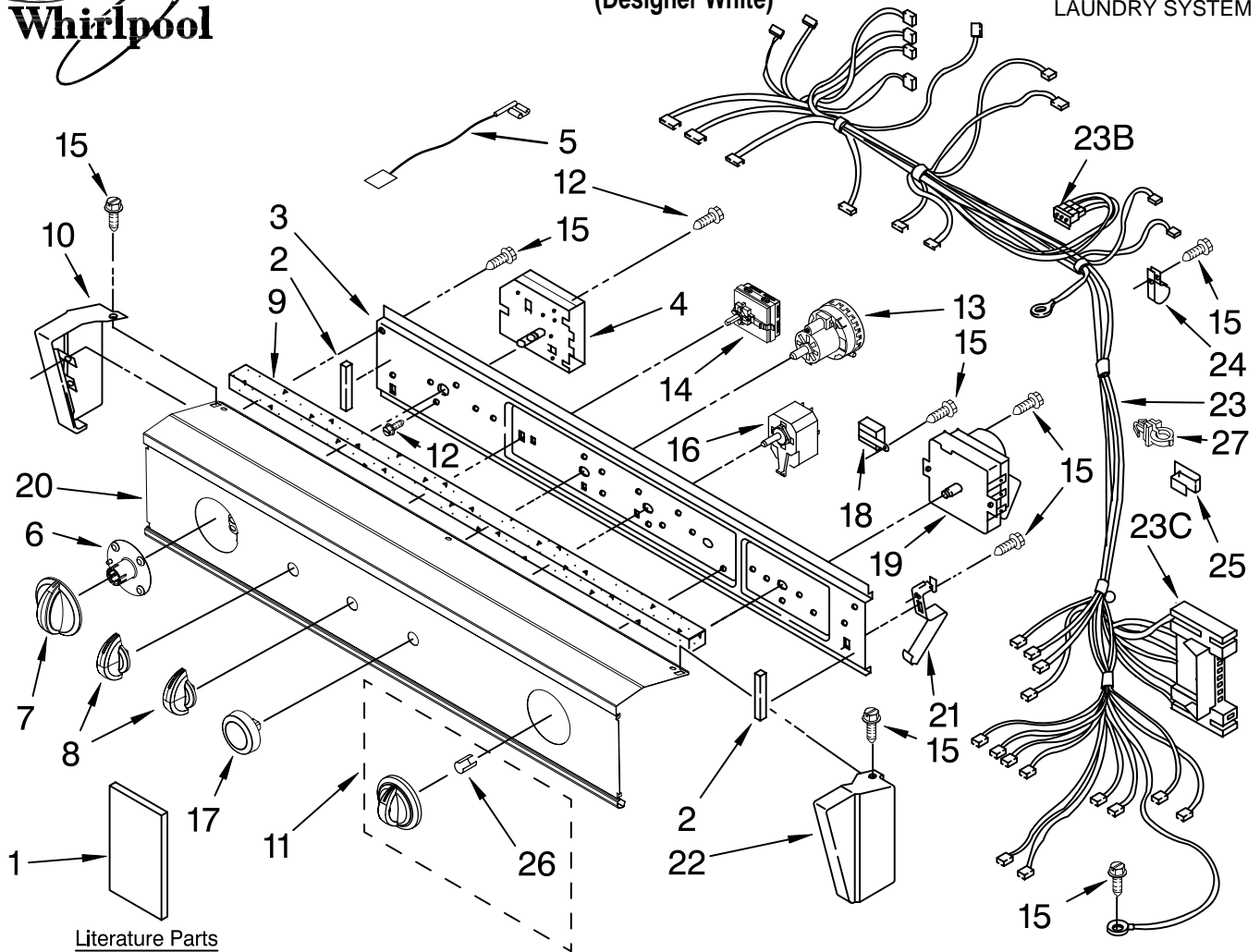


WASHER/DRYER CONTROL PANEL PARTS

For Model: WET3300SQ
(Designer White)

WASHER/DRYER
LAUNDRY SYSTEM



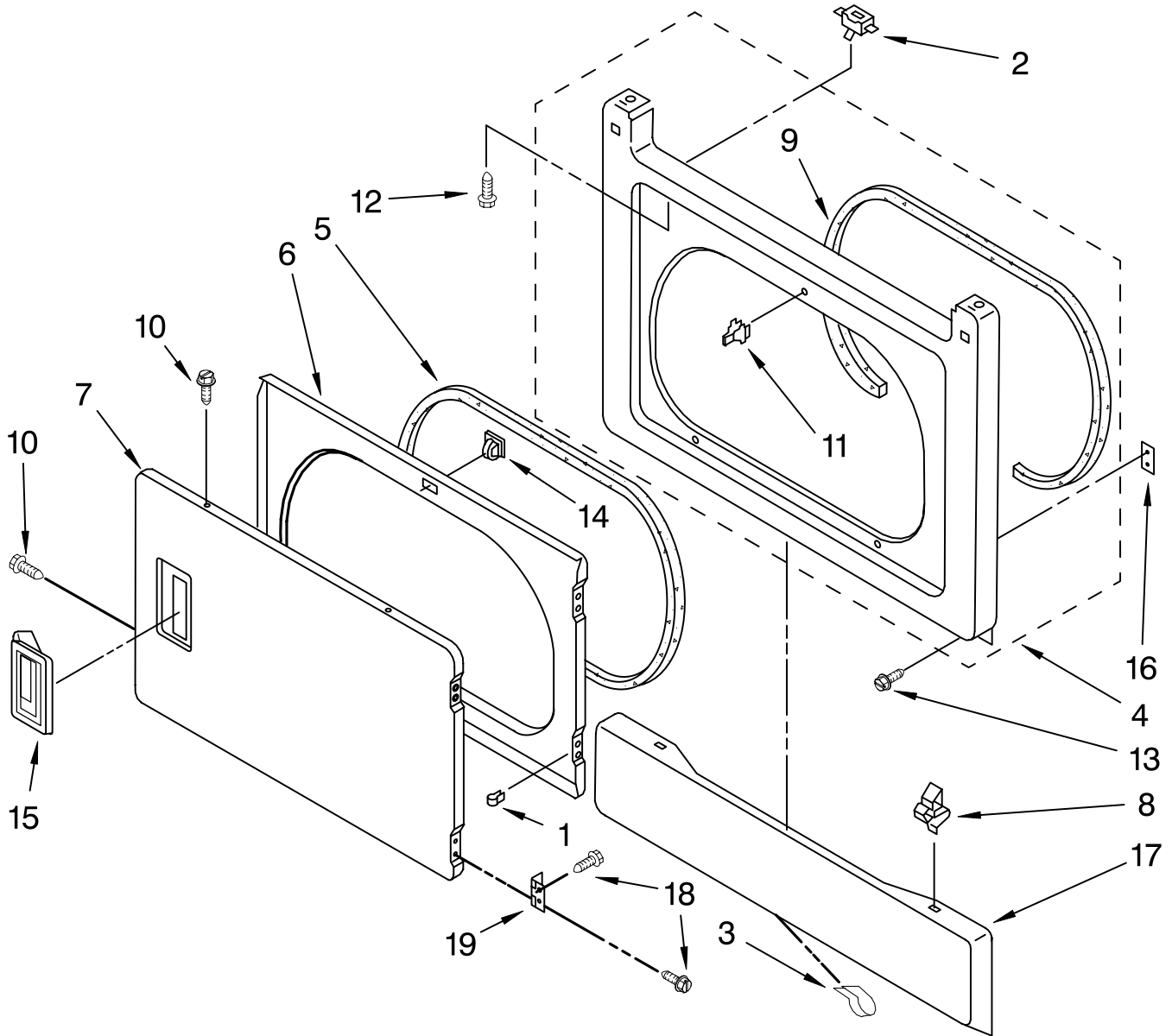
Literature Parts

Illus. No.	Part No.	DESCRIPTION	Illus. No.	Part No.	DESCRIPTION	Illus. No.	Part No.	DESCRIPTION
1		Literature Parts Installation Instructions	7	8566022	Knob, Timer (Washer)	18	694419	Buzzer, Mini
	W10118289	English	8	8565944	Knob, Control (2)	19	W10113804	Timer, Dryer
	8578179	English	9	8521965	Gasket, Console	20		Panel, Control
	W10118304	Sheet, Cycle Feature	10	3389464	End, Cap (LH)		W10114898	White
	W10113806	Wire Diagram	11	8566061	Knob, Timer (Dryer)	21	3389453	Bracket, Hinge (2)
	W10118487	Energy Guide	12	3400808	Screw, 10-32 x 5/16	22		End Cap (RH)
2	3390688	Spacer Foam Pad (2)	13	W10112533	Switch, Pressure		3389456	White
3	8528583	Bracket, Control (Includes Illus. 2)	14	W10114118	Switch, Temperature	23	W10119331	Harness - Dryer
4	W10113761	Timer, Washer	15	90767	Screw, 8-18 x 3/8	23B	2154470	Receptacle,
5	W10121648	Jumper Wire (Timer-Buzzer)	16	3404233	Switch, Push-To-Start	23C	3395683	Connector (Motor-Dryer)
6	8566018	Dial, (Washer)	17	8566073	Knob, Push-To-Start	24	3390604	Clamp, Harness
						25	3390422	Clip, Harness (2)
						26	8536939	Spring, Clip Knob
						27	2219077	Clip, Harness

FOR ORDERING INFORMATION REFER TO PARTS PRICE LIST

DRYER FRONT PANEL AND DOOR PARTS

For Model: WET3300SQ0
(Designer White)



Illus. No.	Part No.	DESCRIPTION
1	3389249	Nut, Push (4)
2	3391901	Switch, Door
3	98234	Clip, Ground
4	3392547	Panel, Front
5	3390735	Seal, Door
6	3392563	Door, Rear
7	3387872	Door, Front
8	3388229	Retainer, Toe Panel (2)

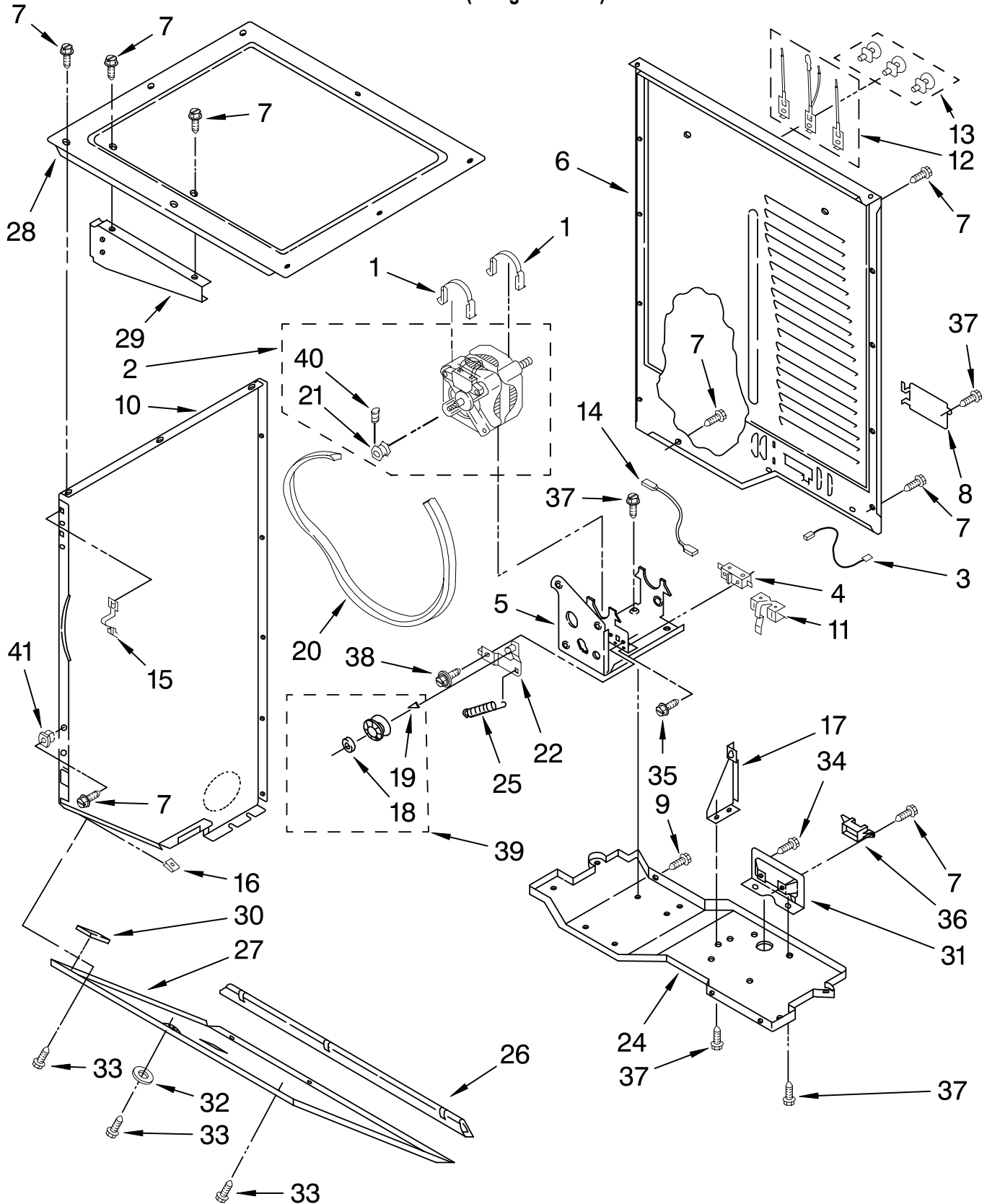
Illus. No.	Part No.	DESCRIPTION
9	3387242	Bearing & Seal
10	694091	Screw, 8-18 x 3/8
11	696144	Strike, Panel
12	697773	Screw, Door Switch
13	3393008	Mounting (2) Screw, 10-16 x 1/2

Illus. No.	Part No.	DESCRIPTION
14	3392538	Catch, Door
15	W10095180	Handle, Door
16	3390902	Clip, Door Hinge (2)
17	3388958	Panel, Toe
18	342055	Screw, 8-18 x 1/2
19	3389247	Hinge & Pin, Door (2)

FOR ORDERING INFORMATION REFER TO PARTS PRICE LIST

DRYER CABINET AND MOTOR PARTS

For Model: WET3300SQ0
(Designer White)



FOR ORDERING INFORMATION REFER TO PARTS PRICE LIST

DRYER CABINET AND MOTOR PARTS

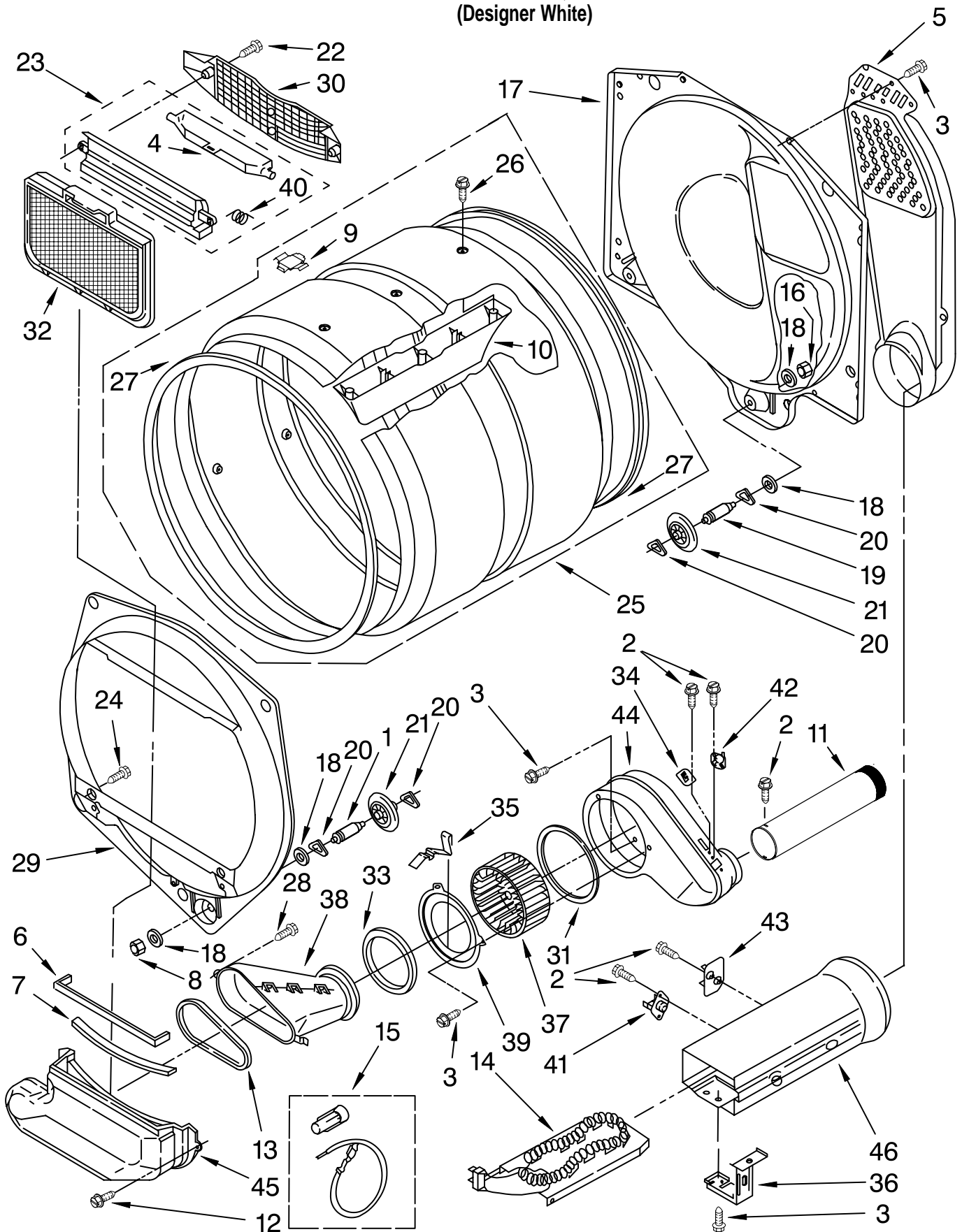
For Model: WET3300SQ0
(Designer White)

Illus. No.	Part No.	DESCRIPTION	Illus. No.	Part No.	DESCRIPTION	Illus. No.	Part No.	DESCRIPTION
1	660658	Clamp, Motor Mounting (2)	12	279318	Terminal, Tinned & Brass (3)	26	3389683	Cove, Transition Panel (Black)
2	8538266	Motor, Main Drive (60 Hz.)	13	279393	Screw-Kit (For Terminal Block)	27	3389272	Panel, Transition
3	3398948	Wire, Jumper	14	3394081	Wire, Broken Belt Switch	28	3389537	Top, Dryer
4	3394881	Switch, Broken Belt	15	3389231	Clip, Front Panel (2)	29	3390722	Shield-Console To Drum
5	3388858	Bracket, Motor	16	98234	Clip, Ground	30	3389682	Spacer (2)
6	3389847	Panel, Rear	17	3391639	Bracket, Bulkhead	31	3393722	Bracket, Terminal Block
7	343641	Screw, 10-16 x 1/2	18	690997	Washer, Thrust	32	3389431	Bumper, Lid Stop
8	3387673	Cover, Terminal Block	19	690997	Tri-Ring	33	693304	Screw & Washer
9	8533974	Screw, Ground (10-32 x 1/2)	20	3387610	Belt, Drive	34	3387485	Screw, 10-16 x 5/8
10	3389264	Panel, Side (L.H.)	21	3391087	Pulley, Motor (60 Hz.)	35	98129	Screw, 6-20 x 1-1/16
	3389256	Panel, Side (R.H.)	22	3389332	Bracket, Idler	36	3397659	Block, Terminal
11	8066120	Lever Snap Switch	24	3390026	Base, Dryer	37	3390631	Screw, 10-16 x 3/8
			25	3387374	Spring, Idler	38	3389420	Bolt, Shoulder
						39	3388672	Pulley, Idler
						40	3394743	Pin, Roll
						41	692400	Nut, Push-In

FOR ORDERING INFORMATION REFER TO PARTS PRICE LIST

DRYER BULKHEAD PARTS

For Model: WET3300SQ0
(Designer White)



FOR ORDERING INFORMATION REFER TO PARTS PRICE LIST

DRYER BULKHEAD PARTS

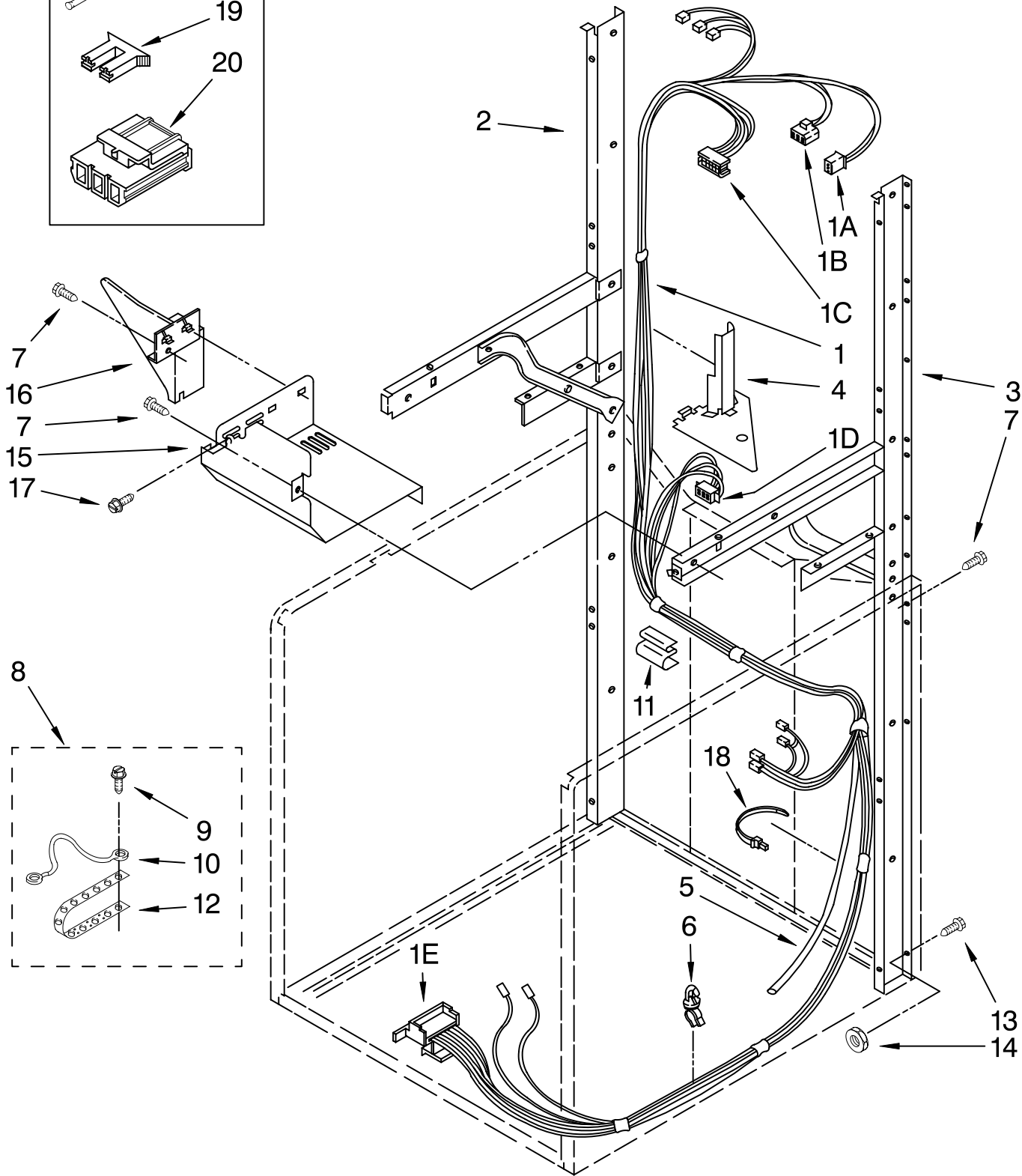
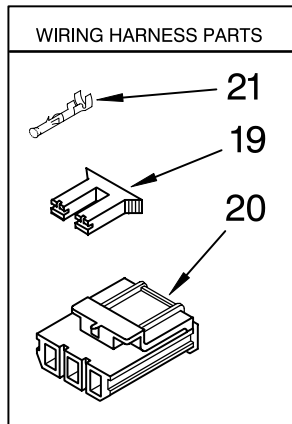
For Model: WET3300SQ0
(Designer White)

Illus. No.	Part No.	DESCRIPTION	Illus. No.	Part No.	DESCRIPTION	Illus. No.	Part No.	DESCRIPTION
1	8575324	Shaft, Roller	16	W10001120	Nut, Hex (2)	35	3390935	Clip, Duct Locator
2	90767	Screw, 8-18 x 3/8	17	3387809	Bulkhead, Rear	36	3389647	Bracket, Heater Mounting
3	343641	Screw, 10-16 x 1/2	18	3387459	Washer, Support	37	697772	Wheel, Blower
4	3394984	Door, Lint Screen	19	8575325	Shaft, L.H. Thread	38	3389445	Duct, Transition (Includes Illus. No.33)
5	697354	Air Duct Assembly	20	690997	Tri- Ring	39	697366	Plate, Blower
6	697813	Seal, Outlet Housing	21	8536973	Support, Roller	40	3394986	Spring, Lint Screen Door
7	3391906	Seal, Lint Duct	22	3357011	Screw, 10-16 x 1/2	41	3390291	Fixed, Thermostat
8	3934666	Nut (2)	23	3394985	Housing, Outlet	42	3387134	Thermostat, Internal-Bias
9	8066086	Drum Hole Plug	24	695240	Screw, 8-18 x 1/2	43	3977394	Thermal-Cutoff (Includes Illus. 41.)
10	3389449	Baffle, Drum (3)	25	3389448	Assembly, Drum	44	8544363	Housing, Blower
11	8563748	Pipe, Exhaust	26	W10109200	Screw, 11-16 x 3/4	45	3388909	Lint Duct Assembly (Includes Illus. 7 & 13)
12	3390647	Screw, 8-18 x 1/2	27	697694	Seal, Drum	46	697715	Box, Heater
13	3391685	Seal, Transition Duct To Lint Duct	28	3387230	Screw, 10-16 x 13/16			
14	3387749	Element, Heater	29	697557	Bulkhead, Front			
15	279457	Wire Kit (For Heater Element Wiring Harness Repair)	30	8299979	Grille, Front			
			31	697770	Seal, Cover Plate			
			32	3389644	Screen, Lint			
			33	8566209	Seal, Transition Duct			
			34	3403607	Thermal-Limiter			

FOR ORDERING INFORMATION REFER TO PARTS PRICE LIST

DRYER SUPPORT AND WASHER HARNESS PARTS

For Model: WET3300SQ0
(Designer White)



FOR ORDERING INFORMATION REFER TO PARTS PRICE LIST

DRYER SUPPORT AND WASHER HARNESS PARTS

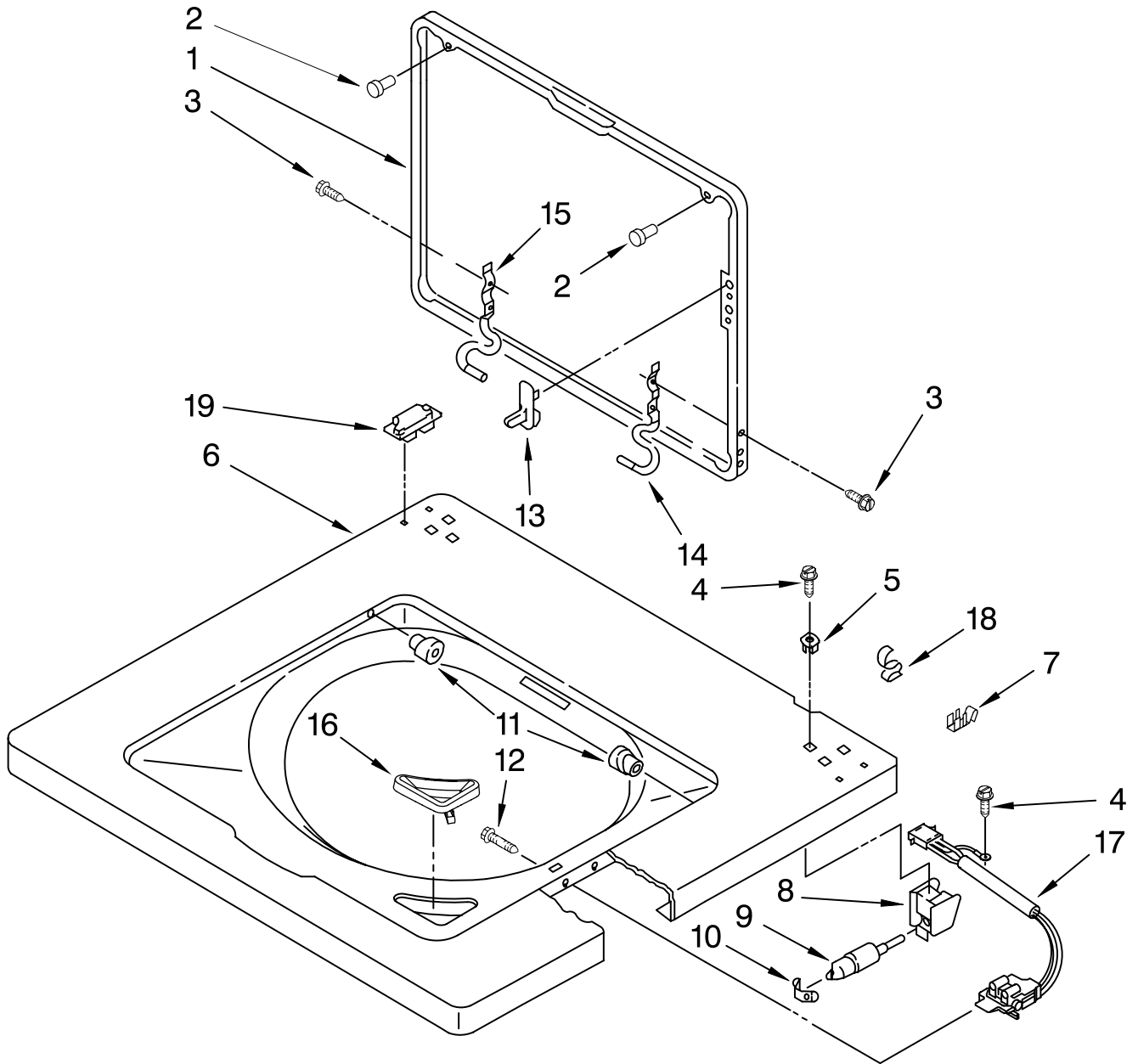
For Model: WET3300SQ0
(Designer White)

Illus. No.	Part No.	DESCRIPTION
1	W10114956	Harness – Washer
1A	3350130	Plug, 3 Way
1B	3347243	Connector, 5 Way
1C	352089	Block, Disconnect – Timer
1D	3350211	Receptacle, 3 Way
1E	62505	Block, Disconnect
2	3388851	Channel Assembly (Left Hand Side)
3	3388850	Channel Assembly (Right Hand Side)
4	3390609	Shield, Harness
5	8545438	Hose, Pressure Switch
6	8281256	Clip, Harness
7	343641	Screw, 10–16 x 1/2
8	685463	Kit, Grounding
9	8533971	Screw
10	685449	Wire
11	63523	Protector, Harness
12	22965	Strap, Grounding
13	3400300	Bolt, 5/16–18 x 1/2 (4)
14	3393930	Nut, Hex (4)
15	3394350	Shield, Front
16	3390336	Shield, Thermostat
17	3393008	Screw, 10–16 x 1/2
18	3391249	Clip, Harness (2)
19	3354925	Connector, H–Pod
20	3360056	Connector, Pressure Switch
21		Terminal, 94613 Male 94614 Female

FOR ORDERING INFORMATION REFER TO PARTS PRICE LIST

WASHER TOP AND LID PARTS

For Model: WET3300SQ0
(Designer White)



FOR ORDERING INFORMATION REFER TO PARTS PRICE LIST

WASHER TOP AND LID PARTS

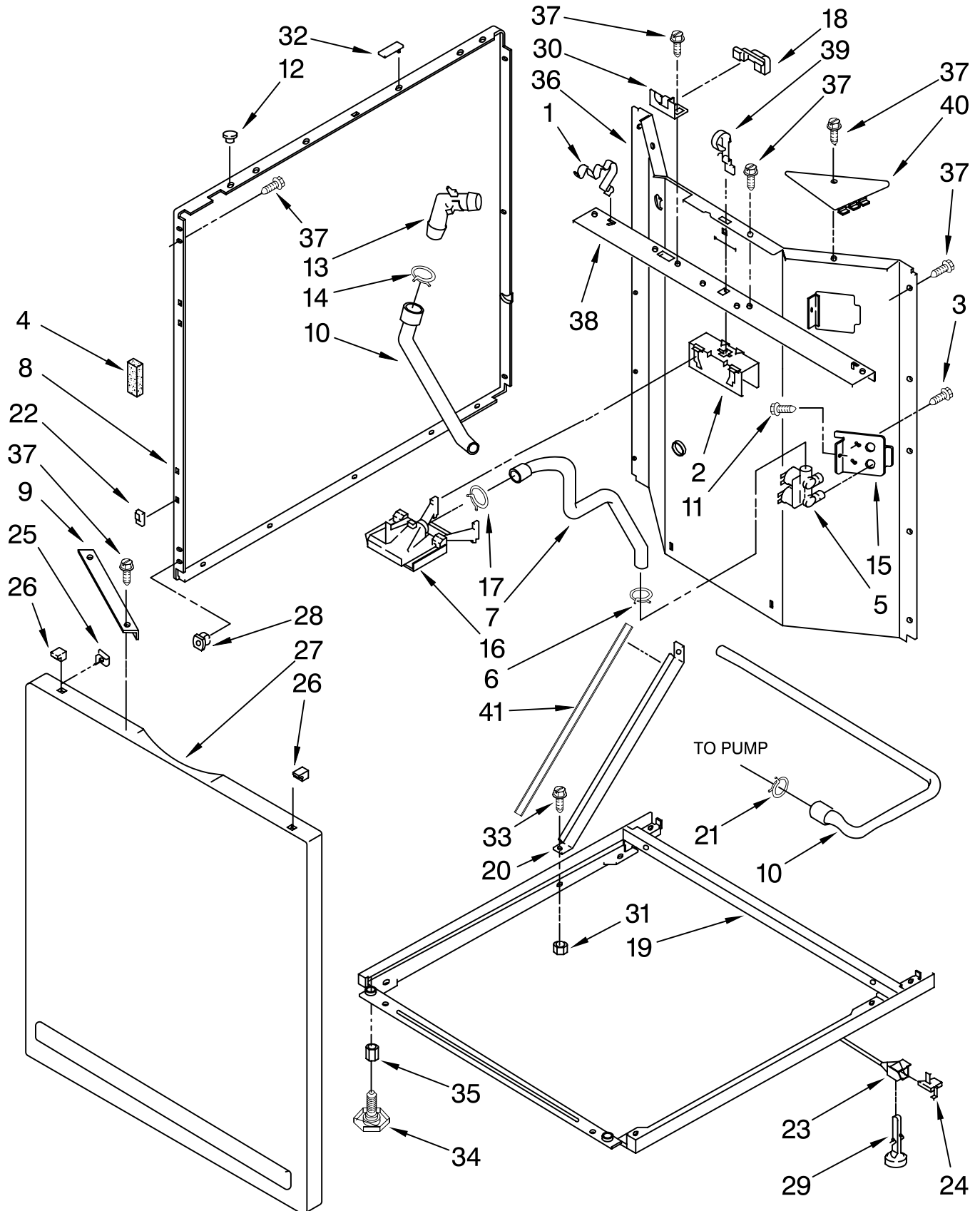
For Model: WET3300SQ0
(Designer White)

<u>Illus.</u> <u>No.</u>	<u>Part</u> <u>No.</u>	<u>DESCRIPTION</u>
1		Lid
	3351652	White
2	9724509	Bumper, Lid (2)
3	3351355	Screw And Washer
4	343641	Screw, 10-16 x 1/2
5	692400	Nut, Push-In (2)
6	3349817	Top
7	357572	Clip, Grounding
8	3354020	Bracket Mounting
9	3350152	Lid Retainer
10	3350828	Clip
11	21258	Hinge, Bearing (2)
12	3356311	Screw And Washer
13	358684	Strike, Lid
14	3350101	Hinge, R.H.
15	3350102	Hinge, L.H.
16	3362952	Dispenser, Bleach
17	3355458	Switch, Lid
18	90016	Clip, Wire (4)
19	3390481	Locator, Top

FOR ORDERING INFORMATION REFER TO PARTS PRICE LIST

WASHER CABINET PARTS

For Model: WET3300SQ0
(Designer White)



FOR ORDERING INFORMATION REFER TO PARTS PRICE LIST

WASHER CABINET PARTS

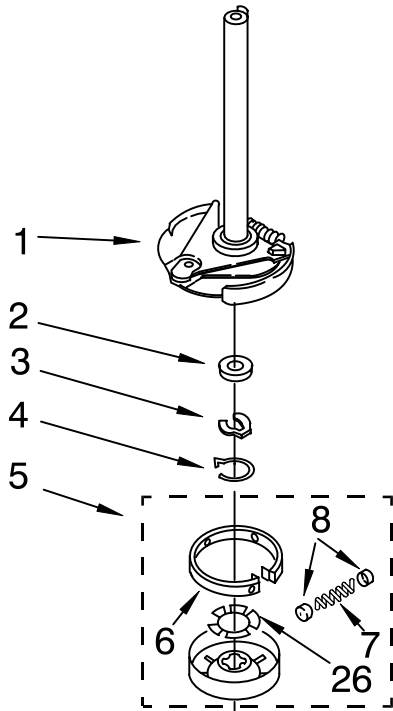
For Model: WET3300SQ0
(Designer White)

Illus. No.	Part No.	DESCRIPTION	Illus. No.	Part No.	DESCRIPTION	Illus. No.	Part No.	DESCRIPTION
1	3349770	Clip, Spring Top (2)	11	9740848	Screw, 8-18 x 1/2	28	352292	Nut, Push-In (2)
2	3349768	Bracket, Vacuum	12	660975	Plug, Top To Cabinet (2)	29	358594	Foot, Rear (2)
3	62863	Screw, Mixing Valve Mounting	13	8557915	Connector, Hose	30	3350144	Bracket, Lid Switch
4	3350013	Foam	14	356138	Clamp, Hose	31	3393930	Nut, Hex (2)
5	3979349	Valve, Water Mixing	15	3349673	Bracket, Valve	32	352292	Nut, Push-In (2)
6	370451	Clamp, Hose	16	387606	Thermister, Inlet	33	3400300	Screw, 5/16-18 x 1/2
7	8521954	Hose, Water Inlet (Vacuum Break To Mixing Valve)	17	371503	Clamp, Hose	34	389102	Foot, Front (2)
8	3349455	Panel, Side (2) (Same Panel Used On Left And Right Side)	18	3350145	Shield, Lid Switch	35	3400917	Nut, Jam (2)
9	3350745	Brace, Front Panel	19	3402724	Base, Cabinet	36	3349493	Panel, Rear (Washer)
10	3353841	Hose, Drain	20	3388857	Bracket, Base	37	343641	Screw, 10-16 x 1/2
			21	371507	Clamp, Hose	38	3349697	Rail, Back Top
			22	3394083	Clip, Front Panel (2)	39	3350135	Spring, Lever Bracket
			23	3349311	Link, Leveling	40	3390608	Shield, Corner Right Rear
			24	359364	Clip, Leveling Mechanism (2)	41	303294	Edge Protector
			25	98234	Clip, Ground			
			26	345670	Lock, Top (2)			
			27	3349499	Panel, Front			

FOR ORDERING INFORMATION REFER TO PARTS PRICE LIST

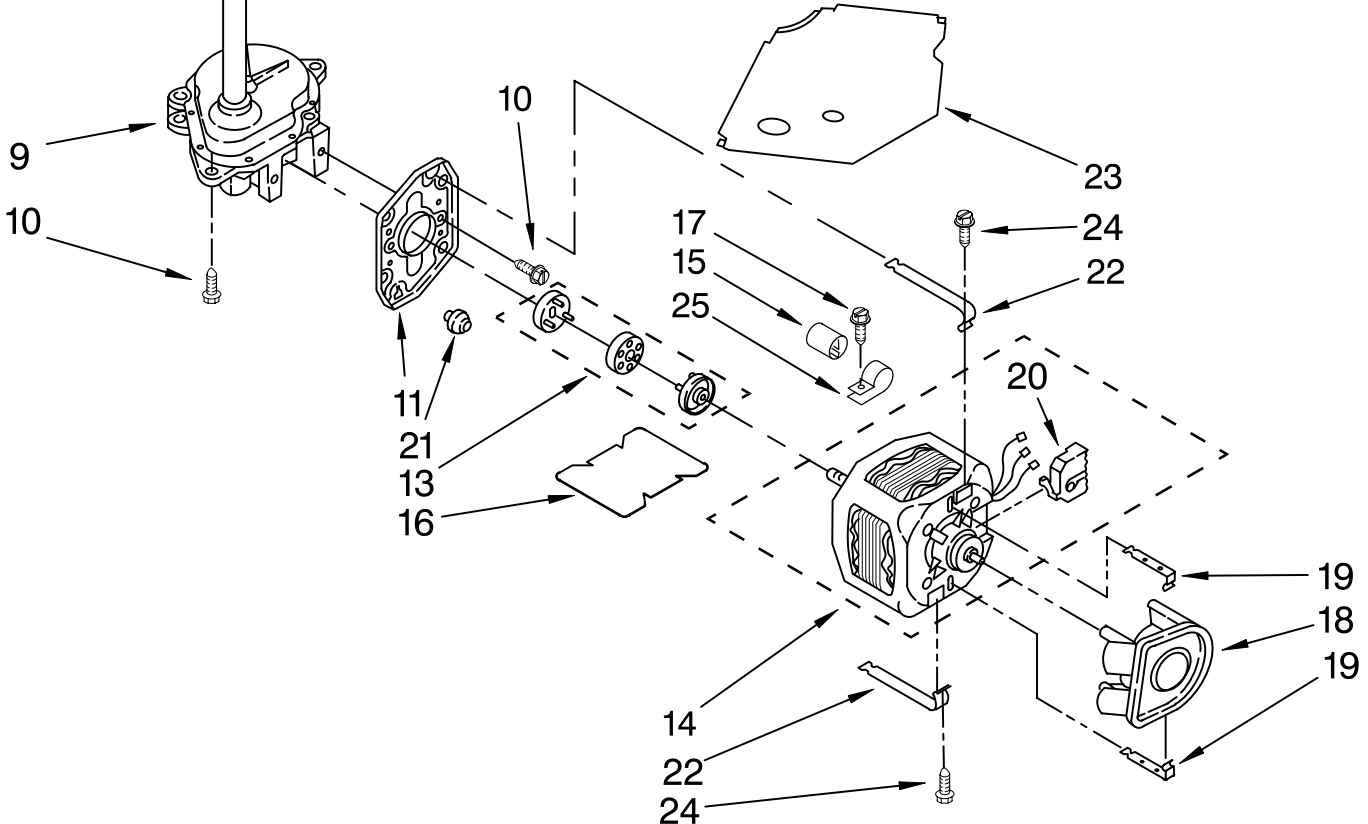
BRAKE, CLUTCH, GEARCASE, MOTOR AND PUMP PARTS

For Model: WET3300SQ0
(Designer White)



Illus. No.	Part No.	DESCRIPTION
1	388951	Brake And Drive Tube (Complete) (Refer To Page 18 For Further Breakdown)
2	63292	Washer, Spin Tube Thrust
3	62697	Ring, Spin Tube Support
4	63283	Ring, Retainer
5	3951311	Clutch (Complete)
6	3951308	Band And Lining (Includes Illus. 7 & 8)
7	3946792	Spring & Damper Assembly
8	62646	Cap, Clutch Spring (2)
9	8532118	Gearcase (Complete)(Refer To Page 17 For Further Breakdown)

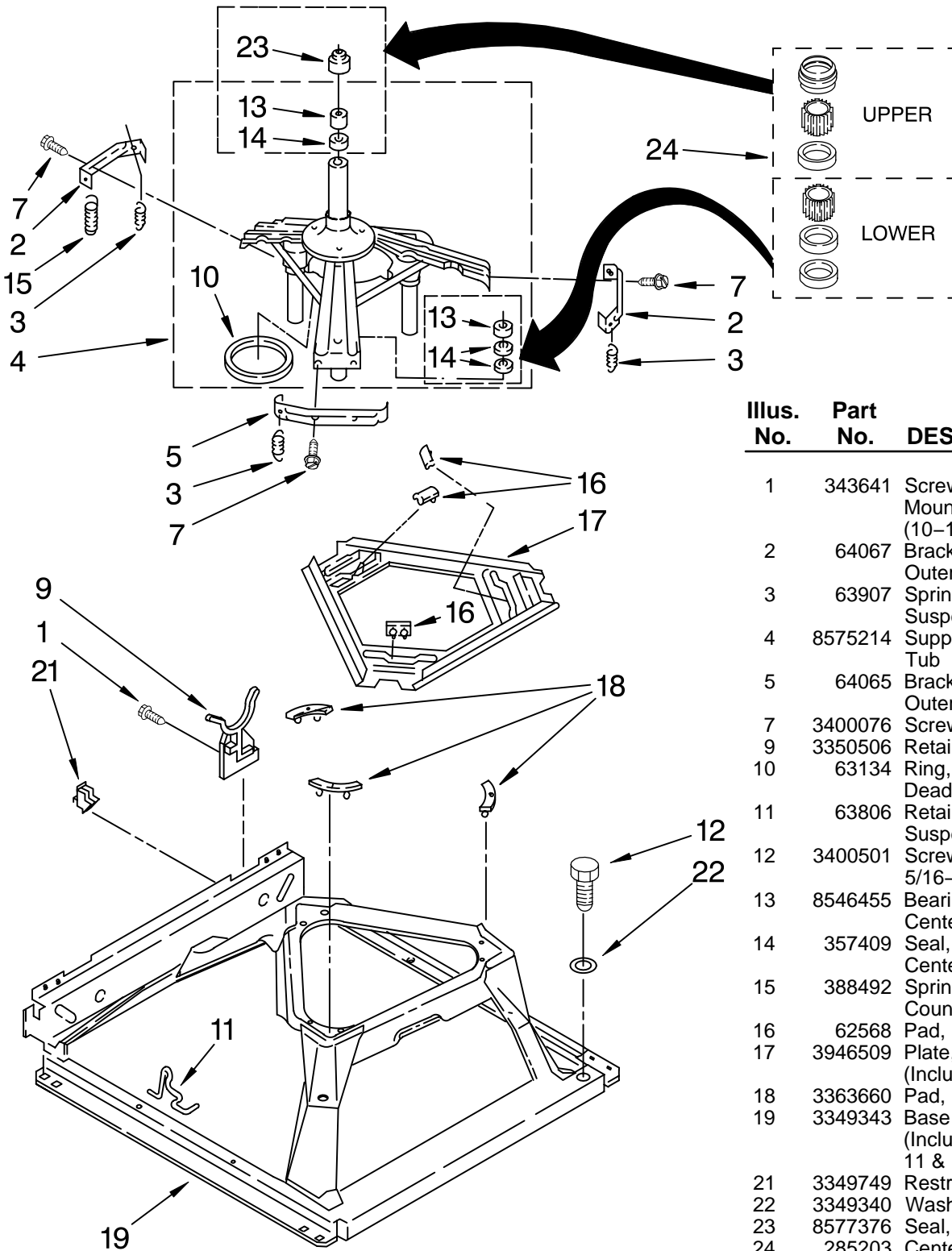
Illus. No.	Part No.	DESCRIPTION
10	3357334	Screw, 5/16-24 x 5/8
11	62611	Plate, Motor Mount To Gearcase
13	3364003	Coupling, Motor & Isolating
14	661600	Motor, Main Drive
15	8572717	Capacitor, Motor Start
16	8316060	Shield, Motor
17	62863	Screw, 10-16 x 3/8
18	3363892	Pump, Complete
19	8546127	Retainer, Pump
20	62850	Switch, Main Drive Motor
21	62691	Grommet, Motor (4)
22	3349637	Retainer, Motor (2)
23	3362089	Shield, Tub To Motor
24	3387485	Screw, 10-16 x 5/8
25	3949496	Clamp, Capacitor
26	3355454	Clip, Anti-Rattle



FOR ORDERING INFORMATION REFER TO PARTS PRICE LIST

MACHINE BASE PARTS

For Model: WET3300SQ
(Designer White)

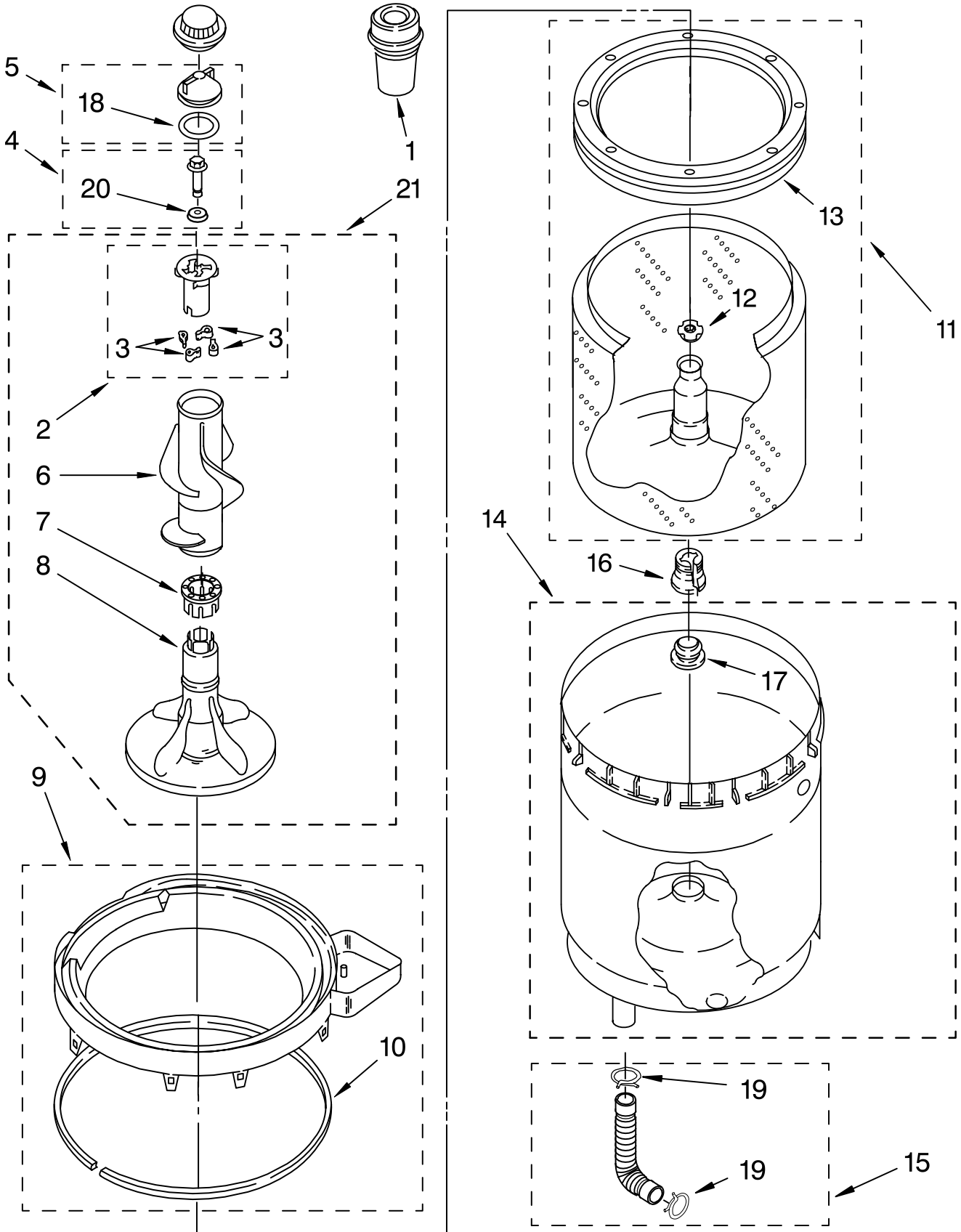


Illus. No.	Part No.	DESCRIPTION
1	343641	Screw, Bracket Mounting (10-16 x 1/2)
2	64067	Bracket, Spring Outer (2)
3	63907	Spring, Suspension (3)
4	8575214	Support & Brake, Tub
5	64065	Bracket, Spring Outer (L.F.)
7	3400076	Screw, 10-32 x 5/8
9	3350506	Retainer, Hose
10	63134	Ring, Sound Deadening
11	63806	Retainer, Suspension Spring
12	3400501	Screw, 5/16-18 x 1 3/32
13	8546455	Bearing, Centerpost (2)
14	357409	Seal, Centerpost (3)
15	388492	Spring, Counterweight
16	62568	Pad, Plate
17	3946509	Plate, Suspension (Includes Illus. 16)
18	3363660	Pad, Base
19	3349343	Base Assembly (Includes Illus. 11 & 18)
21	3349749	Restrainer, Base
22	3349340	Washer (2)
23	8577376	Seal, Centerpost
24	285203	Centerpost Bearing Kit (Includes Illus. 13, 14 & 23)

FOR ORDERING INFORMATION REFER TO PARTS PRICE LIST

AGITATOR, BASKET AND TUB PARTS

For Model: WET3300SQ0
(Designer White)



AGITATOR, BASKET AND TUB PARTS

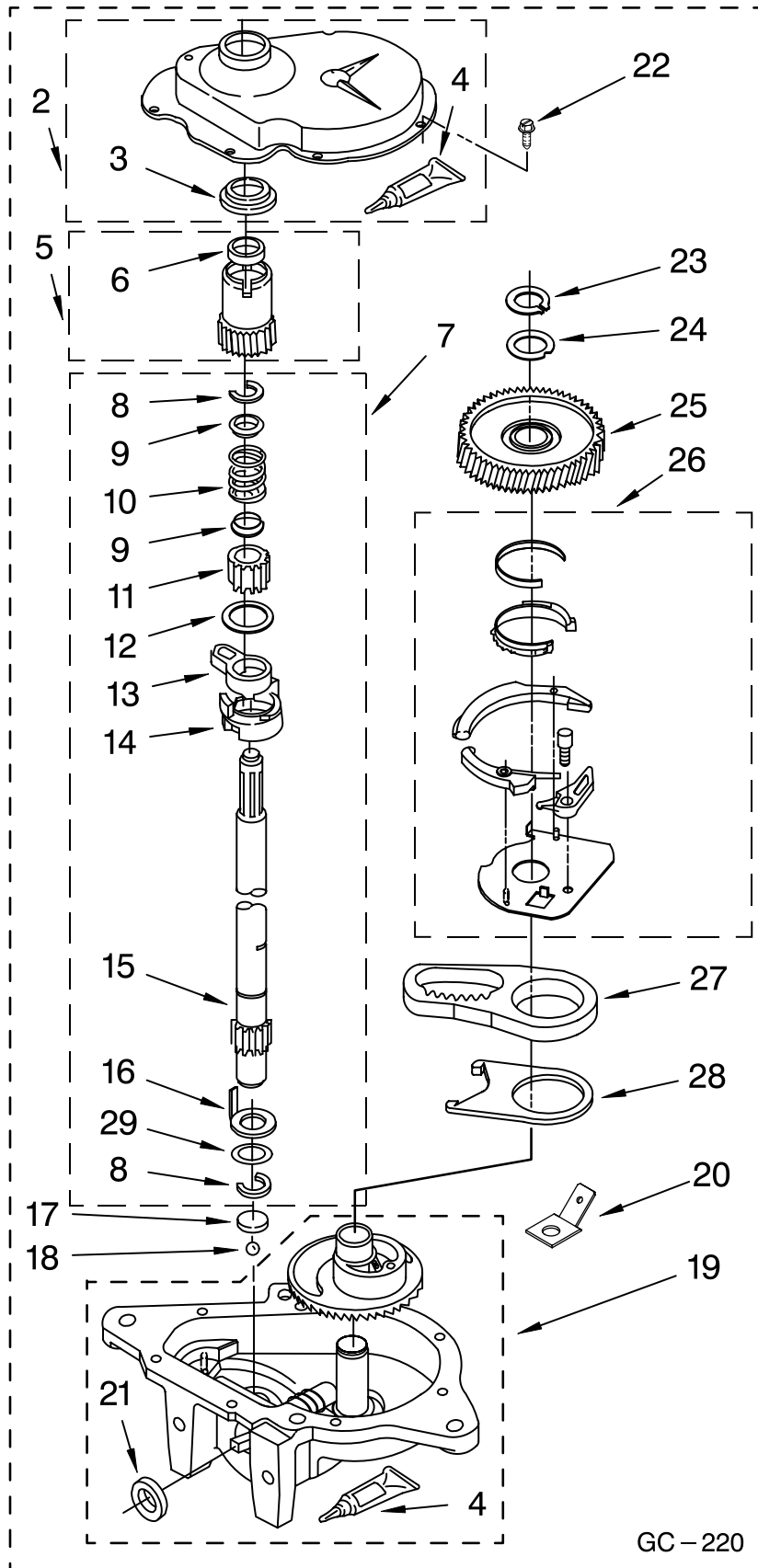
For Model: WET3300SQ0
(Designer White)

Illus. No.	Part No.	DESCRIPTION
1	3350834	Dispenser
2	3947410	Cam Driven
3	3366877	Dog, Agitator (4)
4	358237	Screw & Washer
5	387094	Cap, Barrier
6	3349610	Mover, Agitator Clutch
7	3351014	Spacer, Thrust
8	3349578	Agitator
9	8528150	Tub Ring
10	3976308	Gasket, Tub Ring
11	3979385	Basket
12	21366	Nut, Spanner
13	8519788	Ring, Balance
14	3349292	Tub
15	3951449	Hose & Clamp Assembly
16	389140	Block, Drive
17	383727	Gasket, Centerpost
18	3348855	Seal, Inner Cap
19	3363366	Clamp, Hose (2)
20	3949550	Washer
21	3349743	Agitator (Complete)

FOR ORDERING INFORMATION REFER TO PARTS PRICE LIST

GEARCASE PARTS

For Model: WET3300SQ
(Designer White)



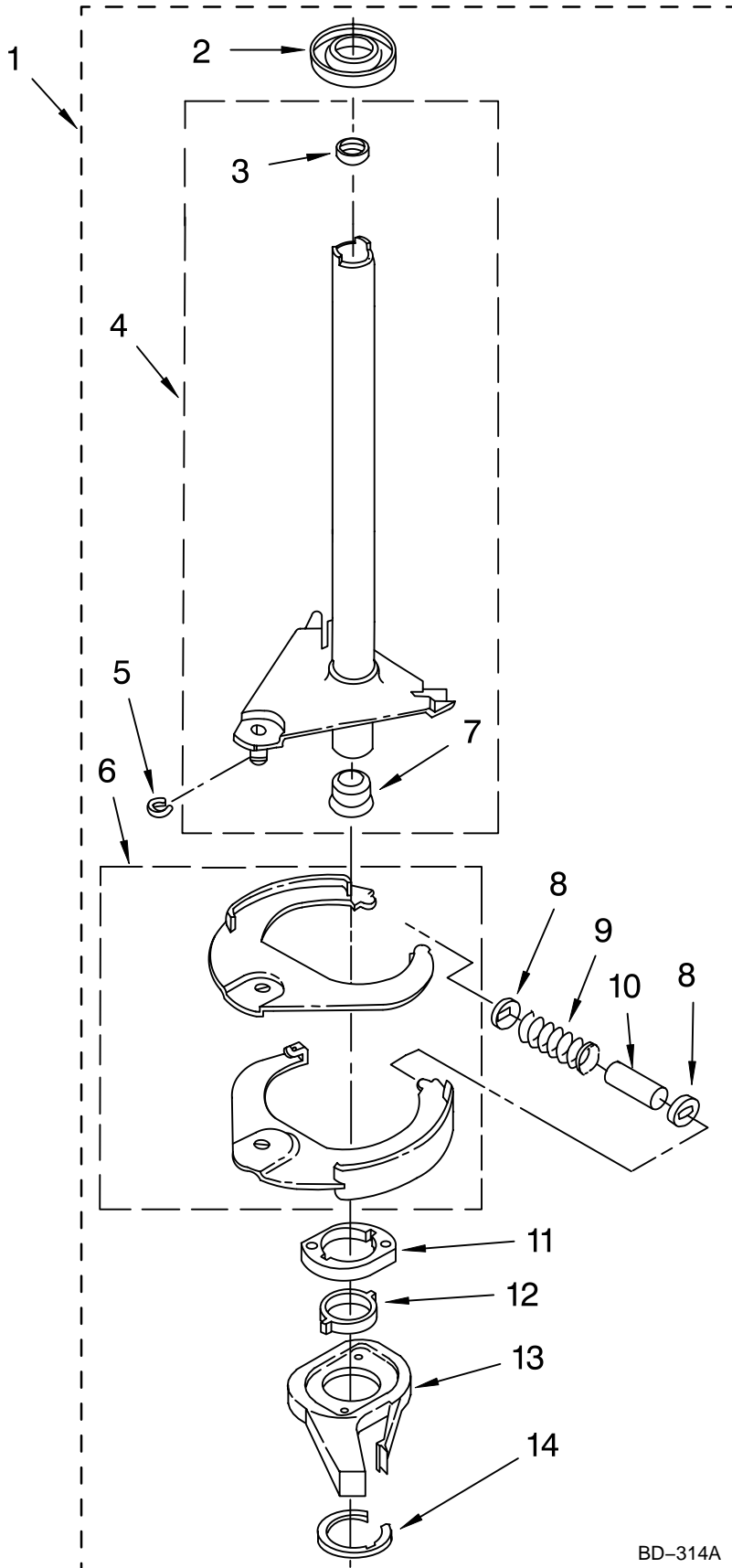
Illus. No.	Part No.	DESCRIPTION
1	8532118	Gearcase (Complete)
2	285202	Cover, Gearcase
3	3349985	Seal, Gearcase Cover
4	285195	Sealer, Gasket (.20 Fl. Oz.) (6 ml)
5	63320	Pinion, Spin (Includes Illus. 25)
6	356427	Seal, Spin Pinion
7	389387	Shaft, Agitator (Complete)
8	90369	Ring, Retaining (2)
9	62677	Retainer, Spring (2)
10	62676	Spring, Agitate
11	63273	Gear, Agitate (Includes 15 & 29)
12	62619	Washer, Agitate Gear
13	62580	Cam Follower (Includes 14)
14	62581	Cam, Agitate (Includes 13)
15	285509	Shaft, Agitator (Includes 11 & 29)
16	62618	Washer, Cam Thrust
17	16018	Bearing, Thrust (Includes 18)
18	85529	Ball, Bearing (Includes 17)
19	389230	Bottom and Pinion, Gearcase
20	3949116	Block Tab, Terminal
21	285352	Seal, Thrust Plug
22	3351614	Screw, Gearcase Cover Mounting (8) (10-24 x 3/8)
23	3362552	Ring, Retaining
24	285735	Washer Kit, Thrust
25	62570	Gear, Spin
26	388253	Neutral Assembly
27	3349296	Rack, Connecting
28	62621	Actuator, Shift
29	388815	Washer, Intermediate

GC-220

FOR ORDERING INFORMATION REFER TO PARTS PRICE LIST

BRAKE AND DRIVE TUBE PARTS

For Model: WET3300SQ0
(Designer White)



Illus. No.	Part No.	DESCRIPTION
1	388951	Brake And Drive Tube (Complete)
2	62658	Ring, Thrust
3	356427	Seal, Drive Tube
4	64027	Tube, Basket Drive (Includes Illus. 3, 4, 5 & 9)
5	64035	Ring, Retaining
6	64232	Shoe, Brake (2)
7	62703	"T" Bearing, Spin Tube
8	3353956	Cap, Brake Spring (2)
9	62647	Spring, Brake
10	3355360	Sleeve, Brake Spring
11	661516	Cam, Brake Release
12	63022	Sleeve, Cam
13	64194	Driver, Brake Cam
14	90368	Ring, Retaining

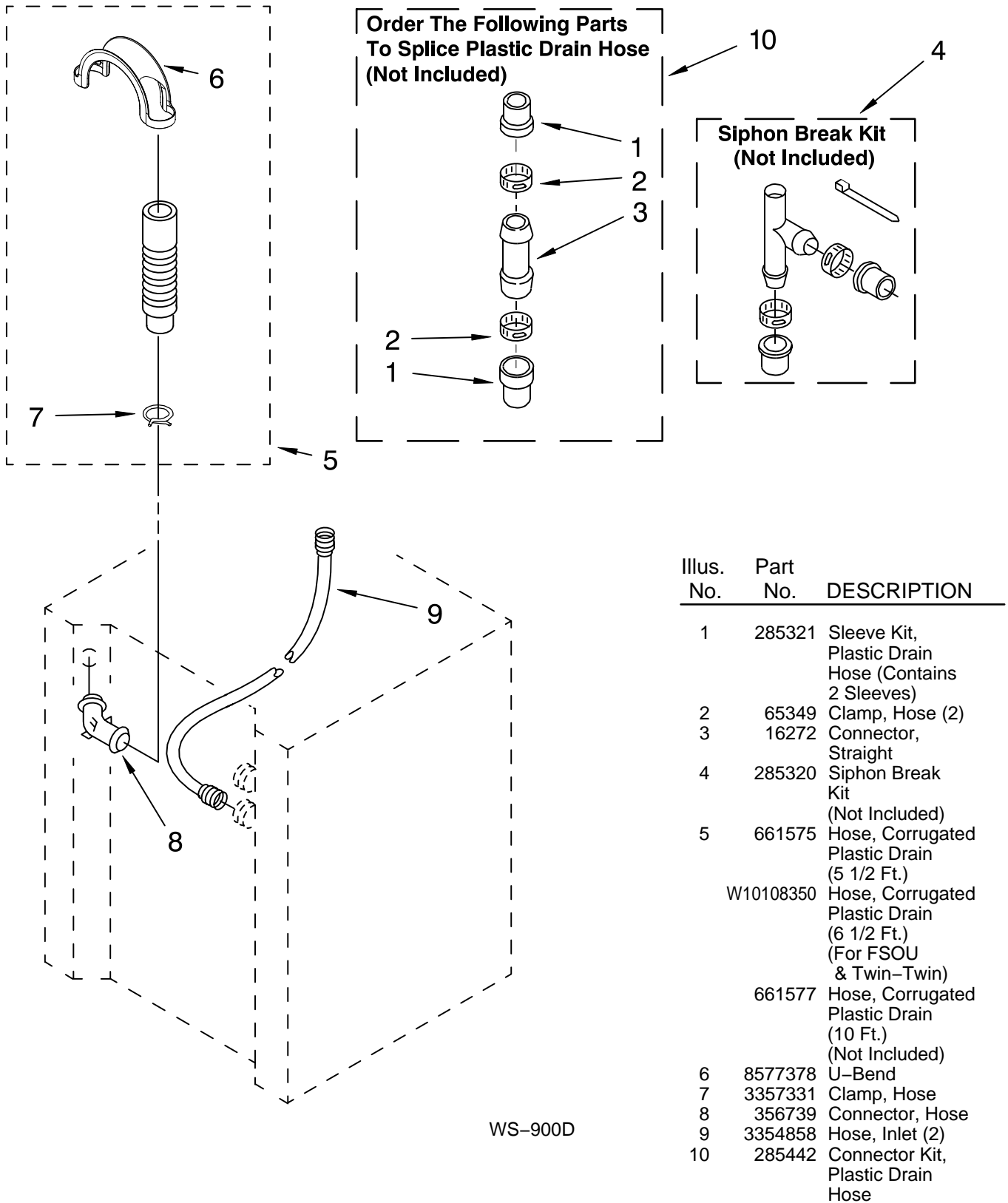
FOLLOWING PARTS NOT ILLUSTRATED

285208 Lubricant
(Use Only In Brake Shoe Assembly On Roller & Pin)

FOR ORDERING INFORMATION REFER TO PARTS PRICE LIST

WATER SYSTEM PARTS

For Model: WET3300SQ0
(Designer White)

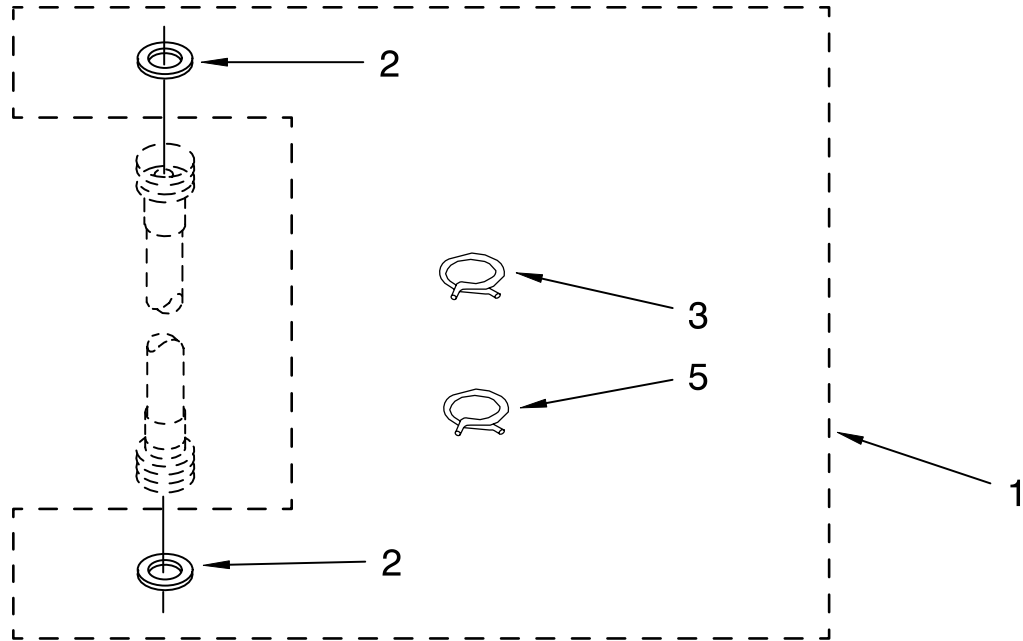


Illus. No.	Part No.	DESCRIPTION
1	285321	Sleeve Kit, Plastic Drain Hose (Contains 2 Sleeves)
2	65349	Clamp, Hose (2)
3	16272	Connector, Straight
4	285320	Siphon Break Kit (Not Included)
5	661575	Hose, Corrugated Plastic Drain (5 1/2 Ft.)
	W10108350	Hose, Corrugated Plastic Drain (6 1/2 Ft.) (For FSOU & Twin-Twin)
	661577	Hose, Corrugated Plastic Drain (10 Ft.) (Not Included)
6	8577378	U-Bend
7	3357331	Clamp, Hose
8	356739	Connector, Hose
9	3354858	Hose, Inlet (2)
10	285442	Connector Kit, Plastic Drain Hose

FOR ORDERING INFORMATION REFER TO PARTS PRICE LIST

MISCELLANEOUS PARTS

For Model: WET3300SQ0
(Designer White)



Illus. No.	Part No.	DESCRIPTION
1	3356714	Miscellaneous Parts Bag
2	16123	Washer, Inlet Hose
3	356138	Clamp, Hose
5	3357331	Clamp, Hose (Upper Drain)

FOR ORDERING INFORMATION REFER TO PARTS PRICE LIST

OPTIONAL PARTS (NOT INCLUDED)

For Model: WET3300SQ0
(Designer White)

Illus. No.	Part No.	DESCRIPTION
-------------------	-----------------	--------------------

PAINT, TOUCH-UP (1/2oz.)

72017 White
4392899 Biscuit

PAINT, PRESSURIZED SPRAY (12 oz.)

350938 Primer, Gray
350930 White
4392901 Biscuit

PAINT, BULK (1 qt.)

799344 White (Uncut)
4392900 Biscuit (Uncut)

OIL

350572 Oil, Gearcase
(16 Oz.)

LUBRICANT

285208 Lubricant (Use
Only in Brake
Shoe Assembly
On Roller and
Pin)

SEALER

285195 Sealer, Gasket
(.20 Fl. Oz.)
(6 ml)

ACCESSORIES

279823 Side Exhaust Kit

FOR ORDERING INFORMATION REFER TO PARTS PRICE LIST

Free Manuals Download Website

<http://myh66.com>

<http://usermanuals.us>

<http://www.somanuals.com>

<http://www.4manuals.cc>

<http://www.manual-lib.com>

<http://www.404manual.com>

<http://www.luxmanual.com>

<http://aubethermostatmanual.com>

Golf course search by state

<http://golfingnear.com>

Email search by domain

<http://emailbydomain.com>

Auto manuals search

<http://auto.somanuals.com>

TV manuals search

<http://tv.somanuals.com>