



## Top-Loading Washer

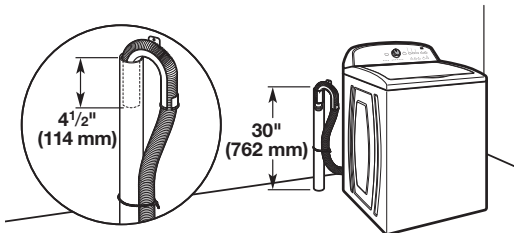
### PRODUCT MODEL NUMBERS

WTW4900X, WTW5500X,  
WTW5550X, WTW5600X,  
WTW5640X, WTW5700X,  
WTW4800X, WTW4950X,  
WTW4910X, WTW5610X

**Electrical:** A 120 volt, 60 Hz., AC only, 15- or 20-amp, fused electrical supply is required. A time-delay fuse or circuit breaker is recommended. It is recommended that a separate circuit serving only this washer be provided.

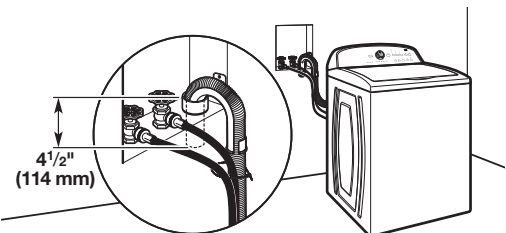
### DRAIN SYSTEM

#### Floor standpipe drain system



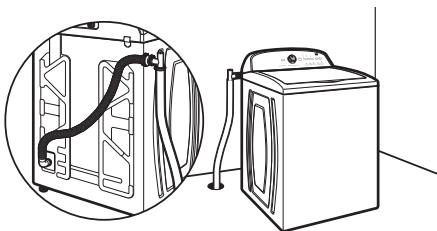
Minimum diameter for a standpipe drain: 2" (51 mm).  
Minimum carry-away capacity: 17 gal. (64 L) per minute.  
Top of standpipe must be at least 39" (990 mm) high;  
install no higher than 96" (2.44 m) from bottom of washer.  
If you must install higher than 96" (2.44 m), you will need a sump pump system.

#### Wall standpipe drain system



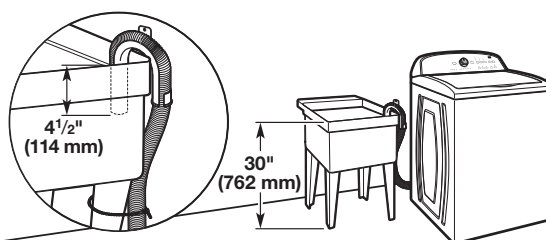
See requirements for floor standpipe drain system.

#### Floor drain system



Floor drain system requires a Siphon Break Kit (Part Number 285834), 2 Connector Kits (Part Number 285835), and an Extension Drain Hose (Part Number 285863) that may be purchased separately. To order, please see toll-free phone numbers in your Use and Care Guide. Minimum siphon break: 28" (710 mm) from bottom of washer. (Additional hoses may be needed.)

#### Laundry tub drain system

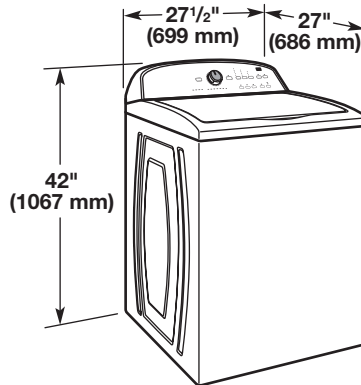


Minimum capacity: 20 gal. (76 L).  
Top of laundry tub must be at least 39" (990 mm) above floor; install no higher than 96" (2.44 m) from bottom of washer.

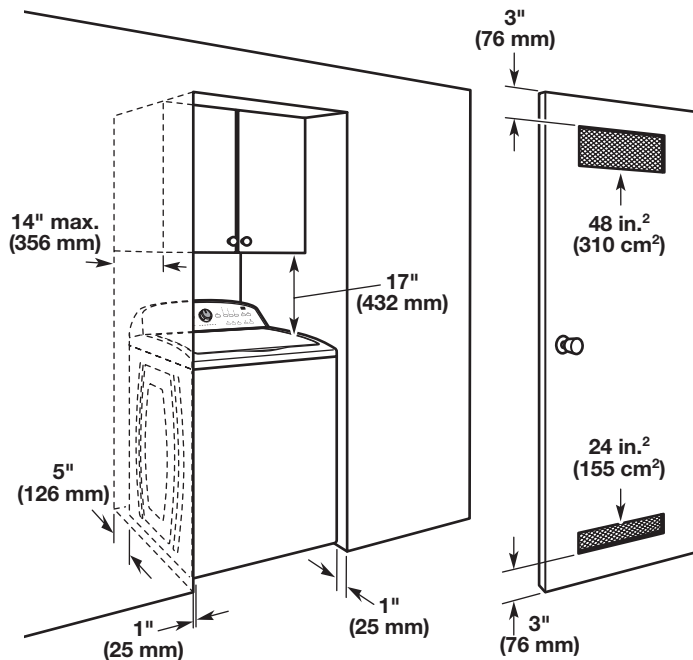
**IMPORTANT:** To avoid siphoning, no more than 4.5" (113 mm) of drain hose should be inside standpipe or below the top of wash tub. Secure drain hose with cable tie.

### OVERALL DIMENSIONS

#### Washer dimensions



For closet installation, with a door, the minimum ventilation openings in the top and bottom of the door are required. Louvered doors with equivalent air ventilation openings are acceptable.



Dimensions show recommended spacing allowed, except for closet door ventilation openings which are minimum required. This washer has been tested for installation with spacing of 0" (0 mm) clearance on the sides. Consider allowing more space for ease of installation and servicing, and spacing for companion appliances and clearances for walls, doors, and floor moldings. Add spacing of 1" (25 mm) on all sides of washer to reduce noise transfer. If a closet door or louvered door is installed, top and bottom air openings in door are required.

## Free Manuals Download Website

<http://myh66.com>

<http://usermanuals.us>

<http://www.somanuals.com>

<http://www.4manuals.cc>

<http://www.manual-lib.com>

<http://www.404manual.com>

<http://www.luxmanual.com>

<http://aubethermostatmanual.com>

Golf course search by state

<http://golfingnear.com>

Email search by domain

<http://emailbydomain.com>

Auto manuals search

<http://auto.somanuals.com>

TV manuals search

<http://tv.somanuals.com>