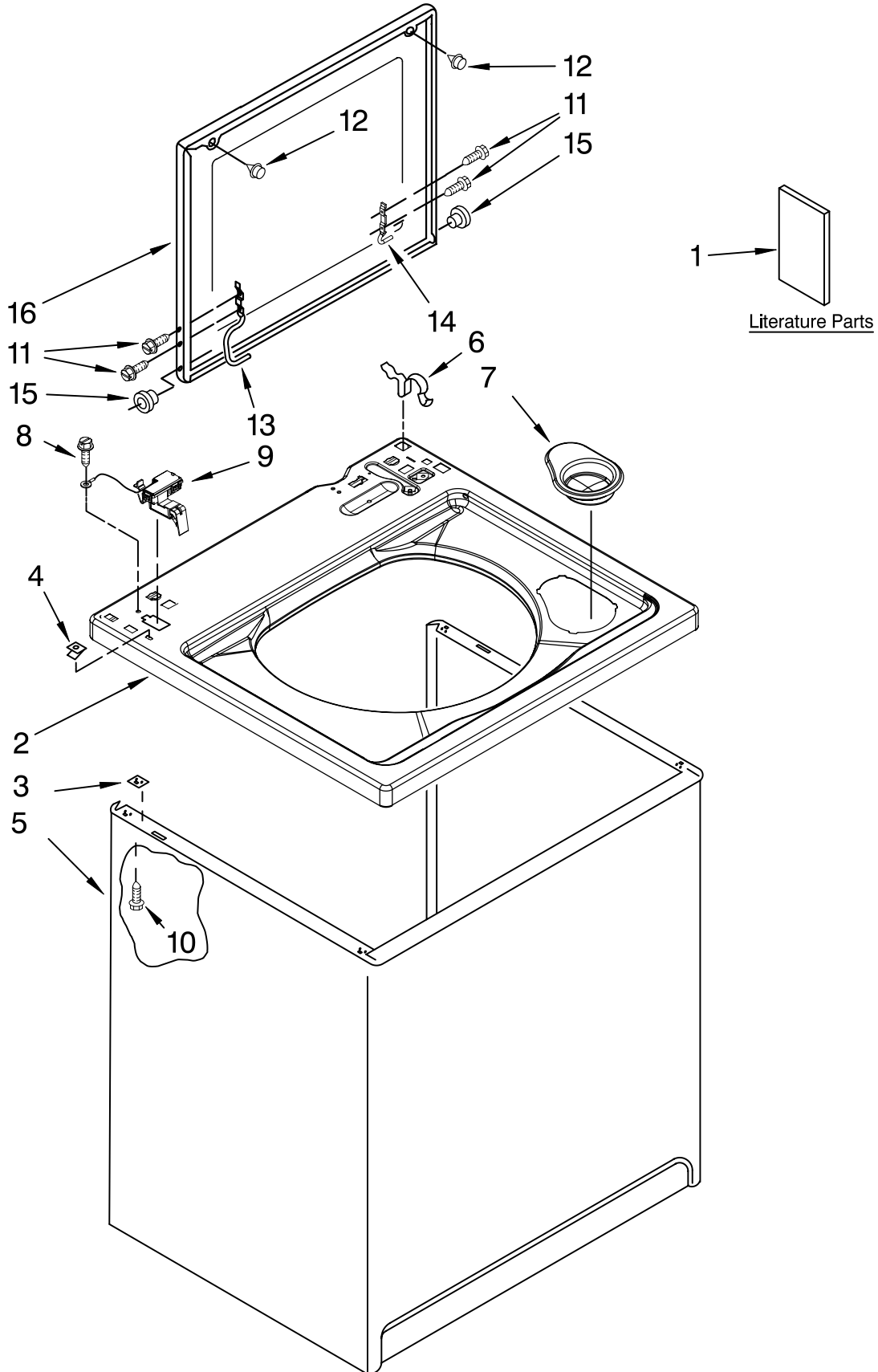




TOP AND CABINET PARTS

For Models: WTW5500SQ2, WTW5500ST2
(White) (Biscuit)

AUTOMATIC
WASHER



FOR ORDERING INFORMATION REFER TO PARTS PRICE LIST

TOP AND CABINET PARTS

For Models: WTW5500SQ2, WTW5500ST2
(White) (Biscuit)

Illus. No.	Part No.	DESCRIPTION
1		Literature Parts
	W10150593	Installation Instructions
	W10150595	Use & Care Guide
	W10150601	Feature Sheet
	W10178027	Energy Guide
	8577358	Wiring Diagram

Following May Be Purchased

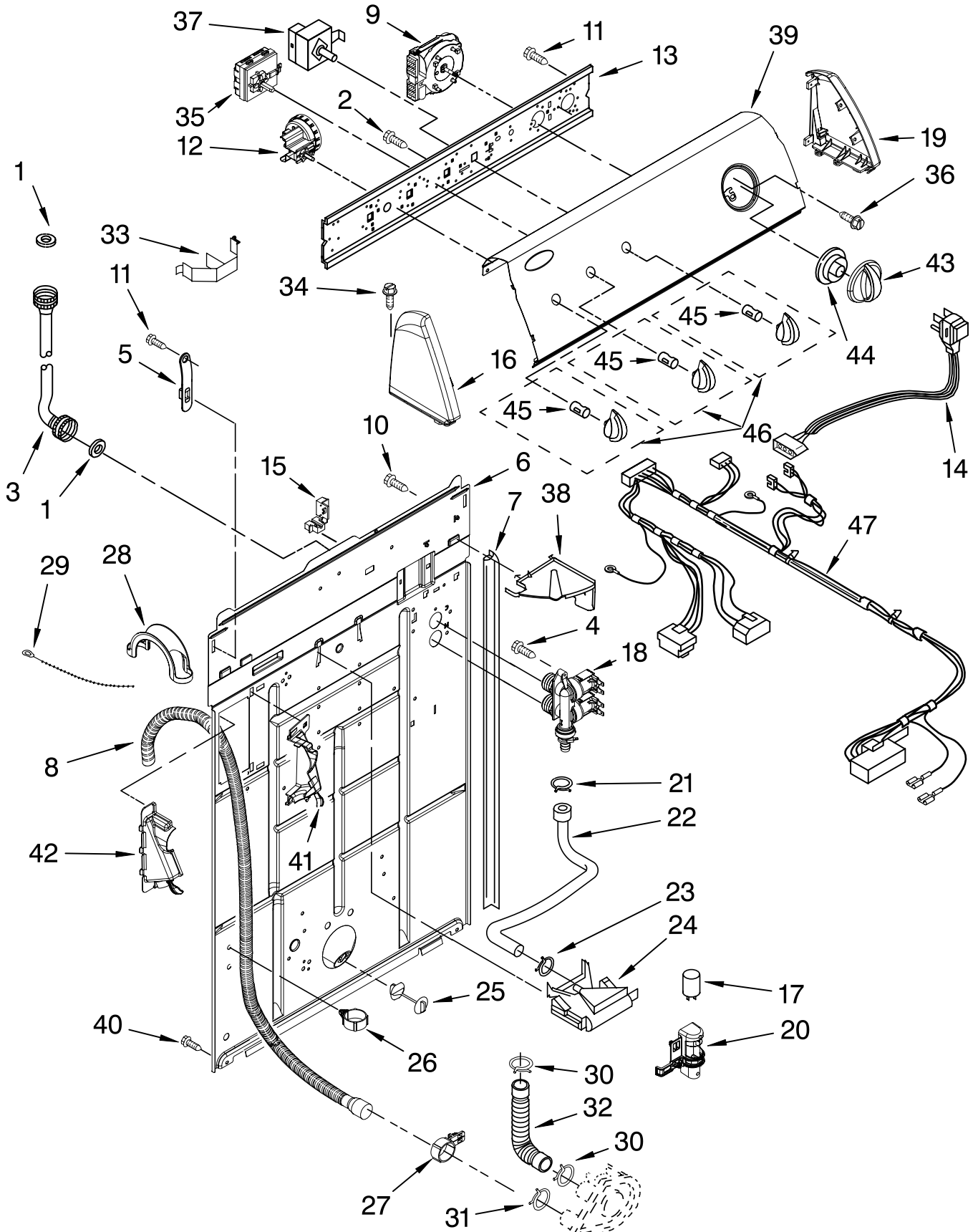
DO-IT-YOURSELF REPAIR MANUALS

	4313896	Manual, Washer
2		Top
	8543451	White
	8543452	Biscuit
3	62750	Spacer, Cabinet To Top (4)
4	357213	Nut, Push-In (2)
5		Cabinet
	63424	White
	3954357	Biscuit
6	62780	Clip, Top & Cabinet & Rear Panel (2)
7	8566266	Dispenser, Bleach
8	3351614	Screw, Ground
9	8318084	Switch, Lid
10	3390631	Screw, 10-16 x 3/8 (4)
11	W10119828	Screw, Lid Hinge Mounting (4)
12	9724509	Bumper, Lid (2)
13	8559336	Hinge, Lid (L.H.)
14	91770	Hinge, Lid (R.H.)
15	8319539	Bearing, Lid Hinge (2)
16		Lid
	W10171313	White
	W10171314	Biscuit

FOR ORDERING INFORMATION REFER TO PARTS PRICE LIST

CONTROLS AND REAR PANEL PARTS

For Models: WTW550SQ2, WTW550ST2
(White) (Biscuit)



FOR ORDERING INFORMATION REFER TO PARTS PRICE LIST

CONTROLS AND REAR PANEL PARTS

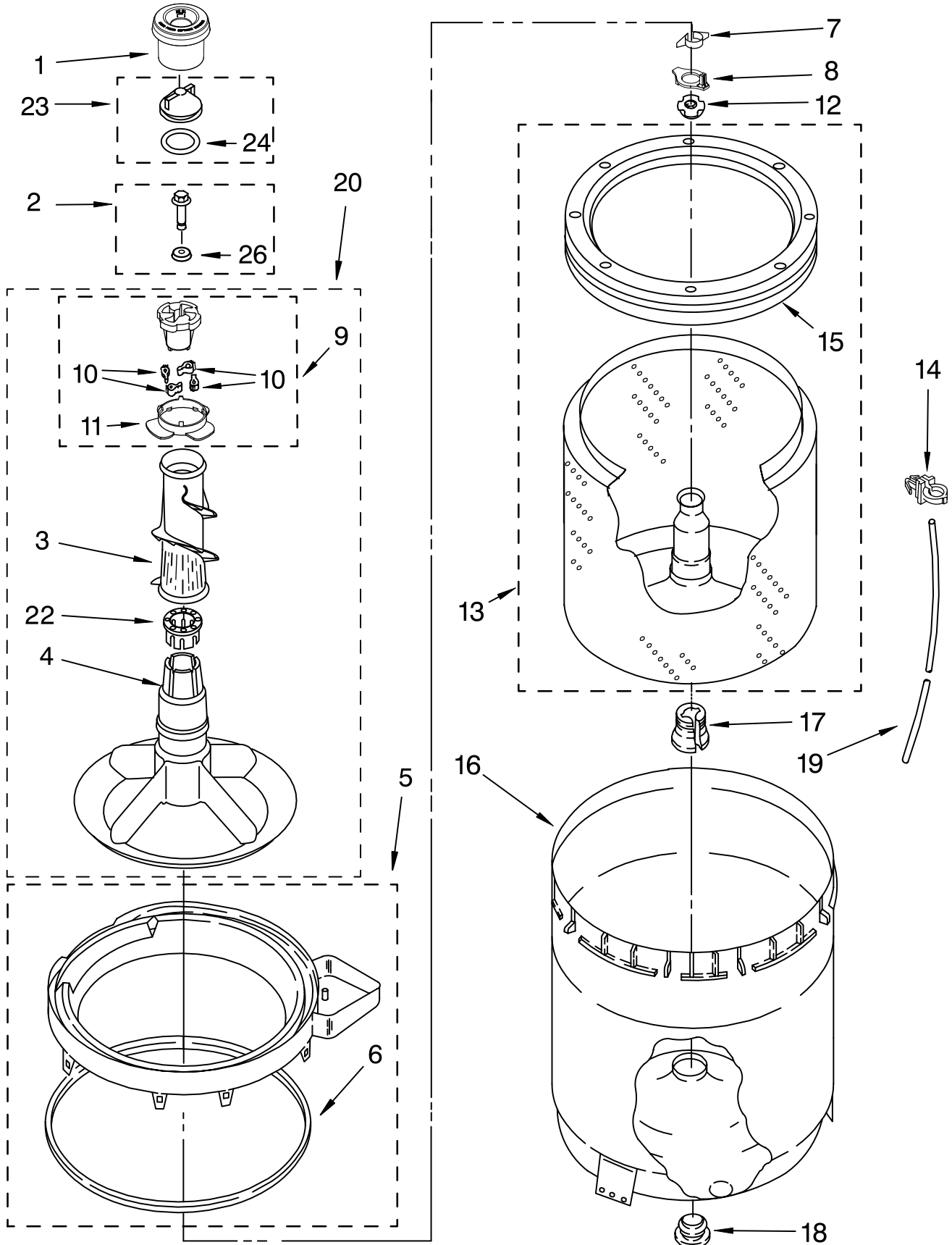
For Models: WTW5500SQ2, WTW5500ST2
(White) (Biscuit)

Illus. No.	Part No.	DESCRIPTION	Illus. No.	Part No.	DESCRIPTION	Illus. No.	Part No.	DESCRIPTION
1	3976300	Washer, Water Inlet Hose (4) (1-1/16 x 5/8)	16		Cap, End (L.H.)	33	8055003	Clip, Harness & Pressure Hose
2	3400073	Screw, Ground		8271365	White	34	388326	Screw, 8-18 x 1.25 (Panel To Top)
3		Hose, Water Inlet (2)	17	8572717	Capacitor, Motor Start	35	W10113058	Switch, Water Temperature (ATC)
	8571377	Blue Coupler	18	3979347	Valve, Water Inlet W/Thermistor	36	3400818	Screw, Timer Mounting
	8571378	Red Coupler	19		Cap, End (R.H.)	37	3949187	Switch, Rotary
4	9740848	Screw, 8-18 x 1/2		8271359	White	38	8539874	Shield, Suds
5	8568314	Strap, Console (2)		8271362	Biscuit	39		Panel, Console
6	8318015	Panel, Rear	20	8318046	Clip, Capacitor		8578785	White
7	62747	Pad, Rear Panel	21	301958	Clamp, Hose		8578786	Biscuit
8	W10122138	Drain Hose Assembly (Includes Items 26 & 27)	22	8317974	Hose, Vacuum Break	40	62863	Screw, 10-16 x 3/8
9	8577356	Timer, Control (60 Hz.) (Motor Not A Service Part)	23	370450	Clamp, Hose	41	8541669	Bucket, Drain Hose (Left Half)
10	3351614	Screw, Ground	24	387606	Break, Vacuum	42	8541658	Bucket, Drain Hose (Right Half)
11	90767	Screw, 8-18 x 3/8	25	8519200	Support, Rear Panel	43		Knob, Timer
12	8577844	Switch, Water Level	26	8541667	Clamp, Hose		8566022	White
13	8544893	Bracket, Control	27	8541668	Clamp, Hose		8566025	Biscuit
14	8578842	Cord, Power (Includes Item 15)	28	8577378	U-Bend, Drain Hose	44	8566018	Dial, Timer
15	3952821	Strain Relief, Power Cord	29	3347868	Cable Tie	45	8536939	Clip, Knob
			30	3363366	Clamp, Hose	46		Knob, Control
			31	8317496	Clamp, Hose		8565944	White
			32	3951449	Hose, Pump To Tub (Includes Item 30)		8565947	Biscuit
						47	W10044160	Wiring Harness (For Detail See Pages 9 & 10)

FOR ORDERING INFORMATION REFER TO PARTS PRICE LIST

AGITATOR, BASKET AND TUB PARTS

For Models: WTW5500SQ2, WTW5500ST2
(White) (Biscuit)



FOR ORDERING INFORMATION REFER TO PARTS PRICE LIST

AGITATOR, BASKET AND TUB PARTS

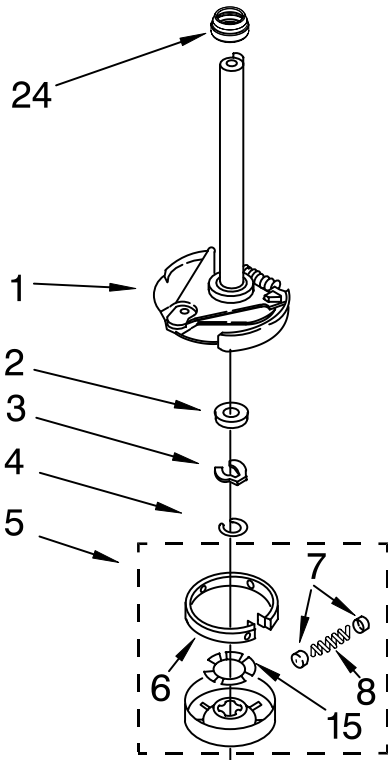
For Models: WTW5500SQ2, WTW5500ST2
(White) (Biscuit)

Illus. No.	Part No.	DESCRIPTION
1	8575076	Dispenser, Fabric Softener
2	358237	Screw & Washer (5/16-24 x 1)
3	3363003	Clothes Mover
4	3951632	Agitator
5	8528150	Tub Ring & Gasket
6	3976308	Gasket, Tub Ring
7	3354845	Clip, Agitator
8	8543666	Washer, Agitator
9	3951682	Cam, Driven
10	3366877	Dog, Agitator Clutch (4)
11	3952374	Bearing, Cam Driven
12	21366	Nut, Spanner
13	8526016	Basket & Balance Ring
14	2219077	Clip, Pressure Switch Hose
15	8519788	Balance Ring
16	63849	Tub
17	389140	Block, Basket Drive
18	383727	Gasket, Centerpost
19	3347780	Hose, Pressure Switch
20	3951744	Agitator (Complete)
22	3951608	Spacer, Thrust
23	3354733	Cap, Barrier
24	W10072840	Seal, Inner Cap
26	3949550	Washer

FOR ORDERING INFORMATION REFER TO PARTS PRICE LIST

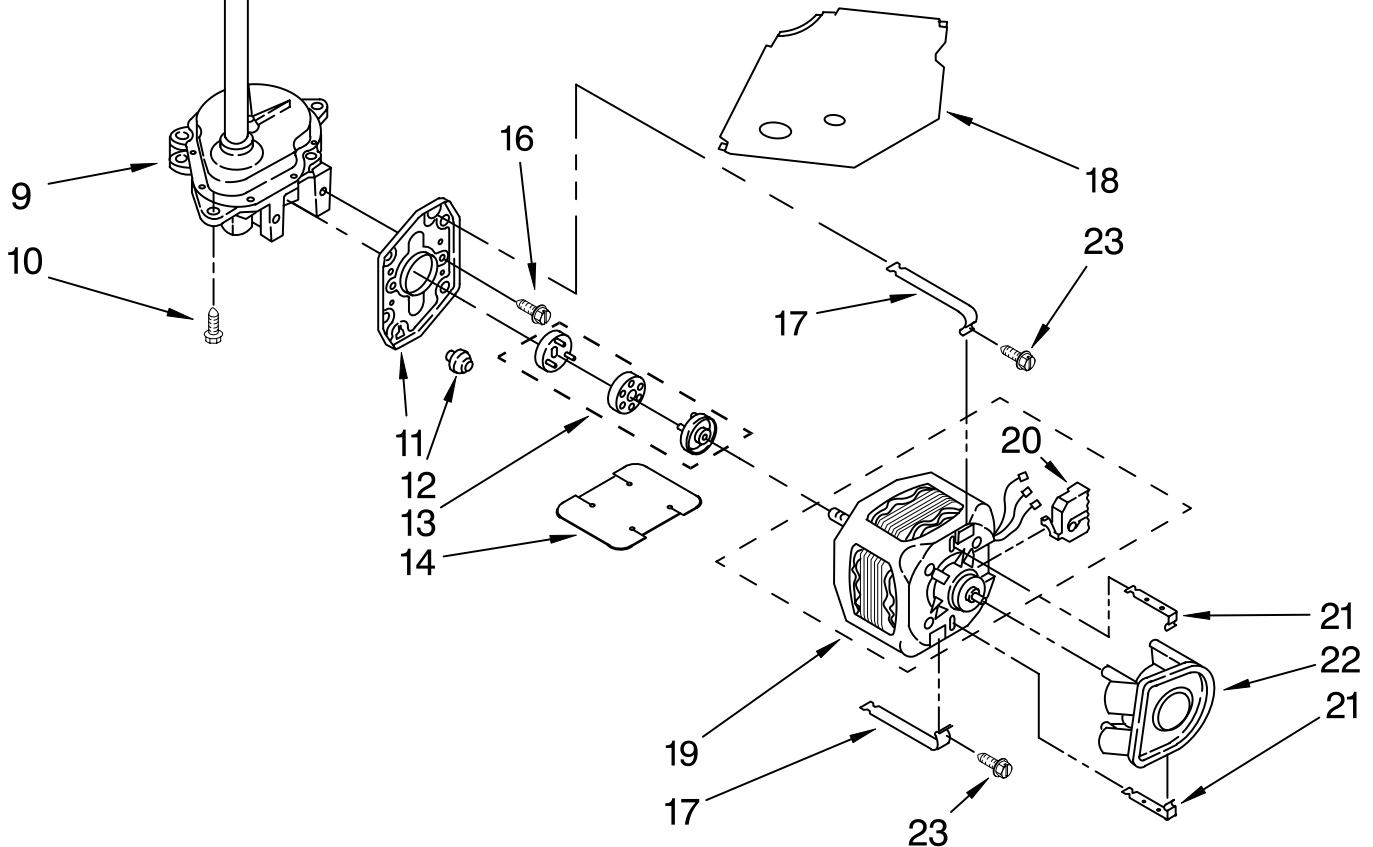
BRAKE, CLUTCH, GEARCASE, MOTOR AND PUMP PARTS

For Models: WTW5500SQ2, WTW5500ST2
(White) (Biscuit)



Illus. No.	Part No.	DESCRIPTION
1	388952	Brake & Drive Tube (Complete) (Refer to Page 11 For Further Breakdown)
2	63292	Washer, Spin Tube Thrust
3	62697	Ring, Spin Tube Support
4	63283	Ring, Retainer
5	3951311	Clutch (Complete)
6	3951308	Band & Lining, Clutch (Includes Items 7 & 8)
7	62646	Cap, Clutch Spring (2)
8	3946792	Spring, Clutch
9	3360630	Gearcase (Complete) (Refer To Page 12 For Further Breakdown)

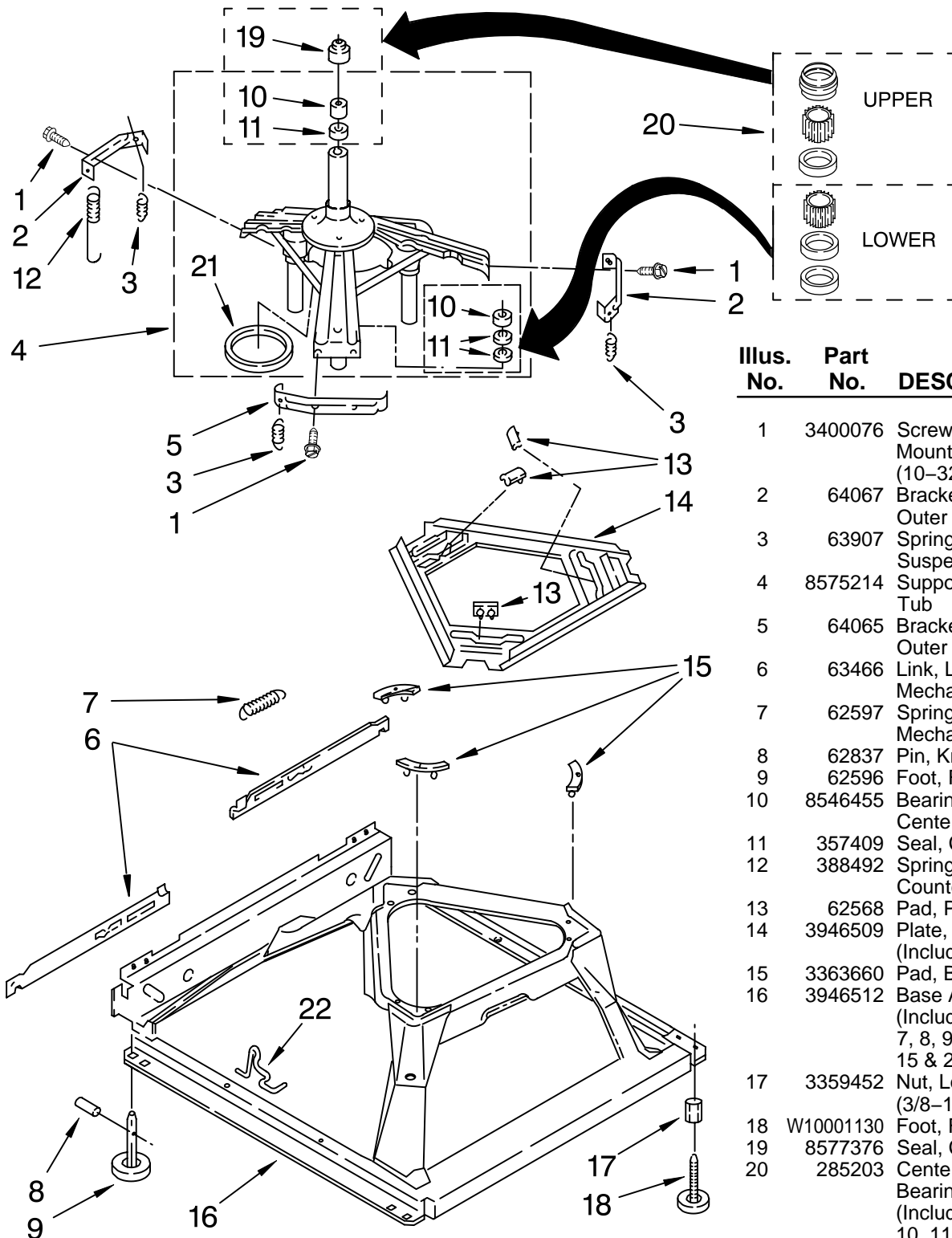
Illus. No.	Part No.	DESCRIPTION
10	3357334	Screw, Gearcase To Base (3)
11	62611	Plate, Motor Mount To Gearcase
12	62691	Grommet, Motor (4)
13	3364003	Coupling, Motor & Isolation
14	3946532	Shield, Motor
15	3355454	Clip, Anti-Rattle
16	3400516	Screw
17	W10086010	Retainer, Motor (2)
18	3362089	Shield, Tub To Motor
19	8528157	Motor, Main Drive
20	3952056	Switch, Main Drive Motor
21	8546127	Retainer, Pump (2)
22	3363394	Pump (Complete)
23	3387485	Screw, 10-16 x 5/8
24	8577374	Seal



FOR ORDERING INFORMATION REFER TO PARTS PRICE LIST

MACHINE BASE PARTS

For Models: WTW5500SQ2, WTW5500ST2
(White) (Biscuit)

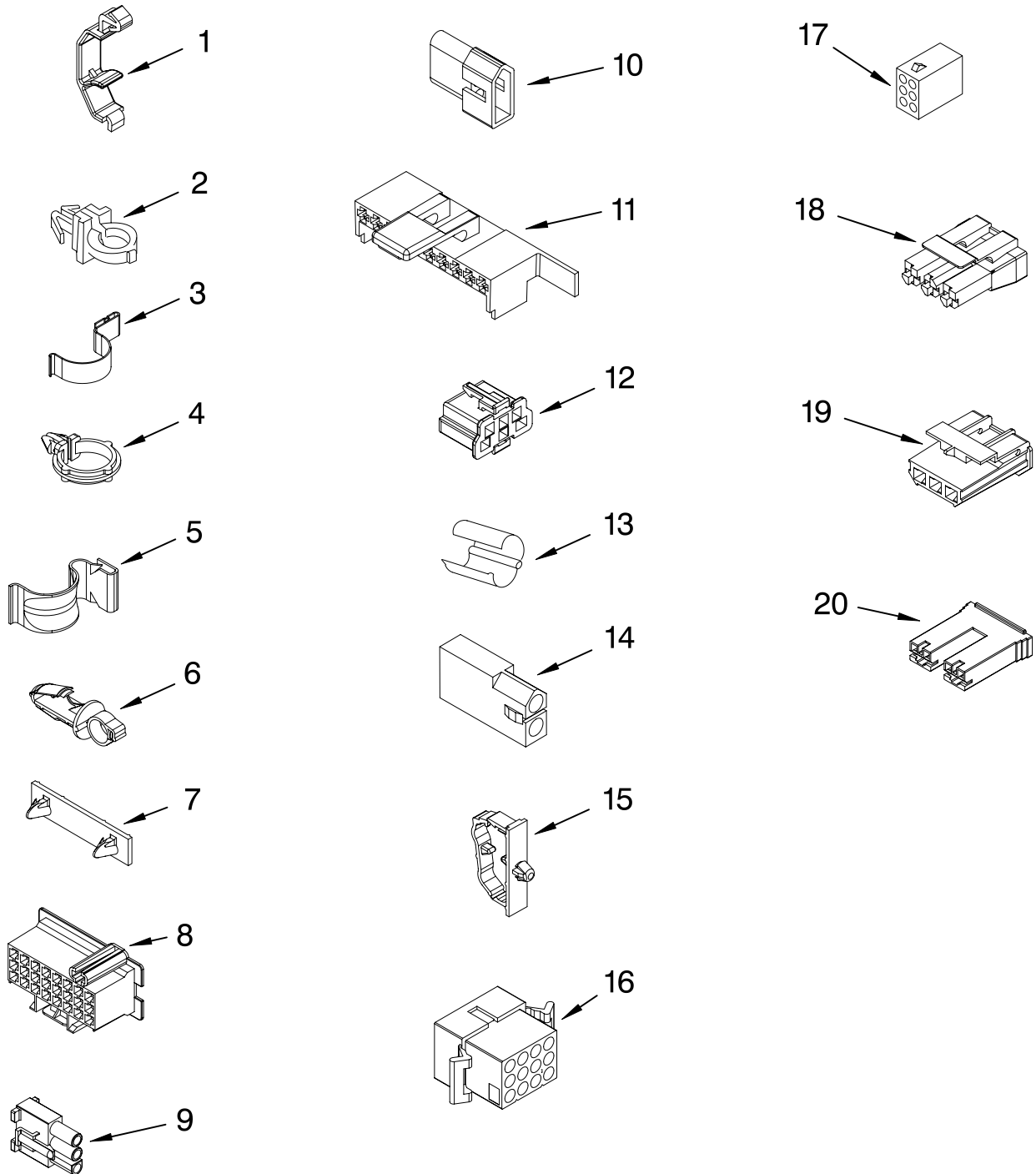


Illus. No.	Part No.	DESCRIPTION
1	3400076	Screw, Bracket Mounting (10-32 x 5/8)
2	64067	Bracket, Spring Outer (2)
3	63907	Spring Suspension,(3)
4	8575214	Support & Brake, Tub
5	64065	Bracket, Spring Outer (L.F.)
6	63466	Link, Leveling Mechanism (2)
7	62597	Spring, Leveling Mechanism
8	62837	Pin, Knurled
9	62596	Foot, Rear (2)
10	8546455	Bearing, Centerpost (2)
11	357409	Seal, Centerpost (3)
12	388492	Spring, Counterweight
13	62568	Pad, Plate
14	3946509	Plate, Suspension (Includes Item 13)
15	3363660	Pad, Base
16	3946512	Base Assembly (Includes Items 6, 7, 8, 9, 13, 14 15 & 22)
17	3359452	Nut, Lock (2) (3/8-16)
18	W10001130	Foot, Front (2)
19	8577376	Seal, Centerpost
20	285203	Centerpost Bearing Kit (Includes Items 10, 11 & 19)
21	63134	Ring, Sound Deadening
22	W10145155	Retainer, Suspension Spring

FOR ORDERING INFORMATION REFER TO PARTS PRICE LIST

WIRING HARNESS PARTS

For Models: WTW5500SQ2, WTW5500ST2
(White) (Biscuit)



WH2J

FOR ORDERING INFORMATION REFER TO PARTS PRICE LIST

WIRING HARNESS PARTS

For Models: WTW5500SQ2, WTW5500ST2
(White) (Biscuit)

Illus. No.	Part No.	DESCRIPTION	Illus. No.	Part No.	DESCRIPTION	Illus. No.	Part No.	DESCRIPTION
1	3349557	Retainer, Harness	9	62889	Receptacle, Terminal (3-Way)	16	3390423	Block, Disconnect (12-Way)
2	388498	Clip, Harness				17	3347730	Receptacle (6-Way)
3	3347812	Clip, Harness	10	353424	Plug, Terminal (3-Way)	18	3948617	Connector (T.P.A.) (3-Circuit)
4	3352501	Clip, Harness (Push-In)	11	62505	Block, Disconnect (Motor 2 Speed)	19	3360056	Plug (T.P.A.) (3-Circuit)
5	90016	Clip, Harness (Half-Harness)	12	3347243	Block, Disconnect			(Pressure Switch)
6	3390496	Clip, Harness	13	63523	Protector	20		Block, Connector
7	389379	Retainer, Harness	14	717252	Connector (2-Way)		3354925	Natural
8		Timer, Block Disconnect	15	3352944	Clip, Harness		3354926	Red
	3948614	Natural						
	352089	Black						

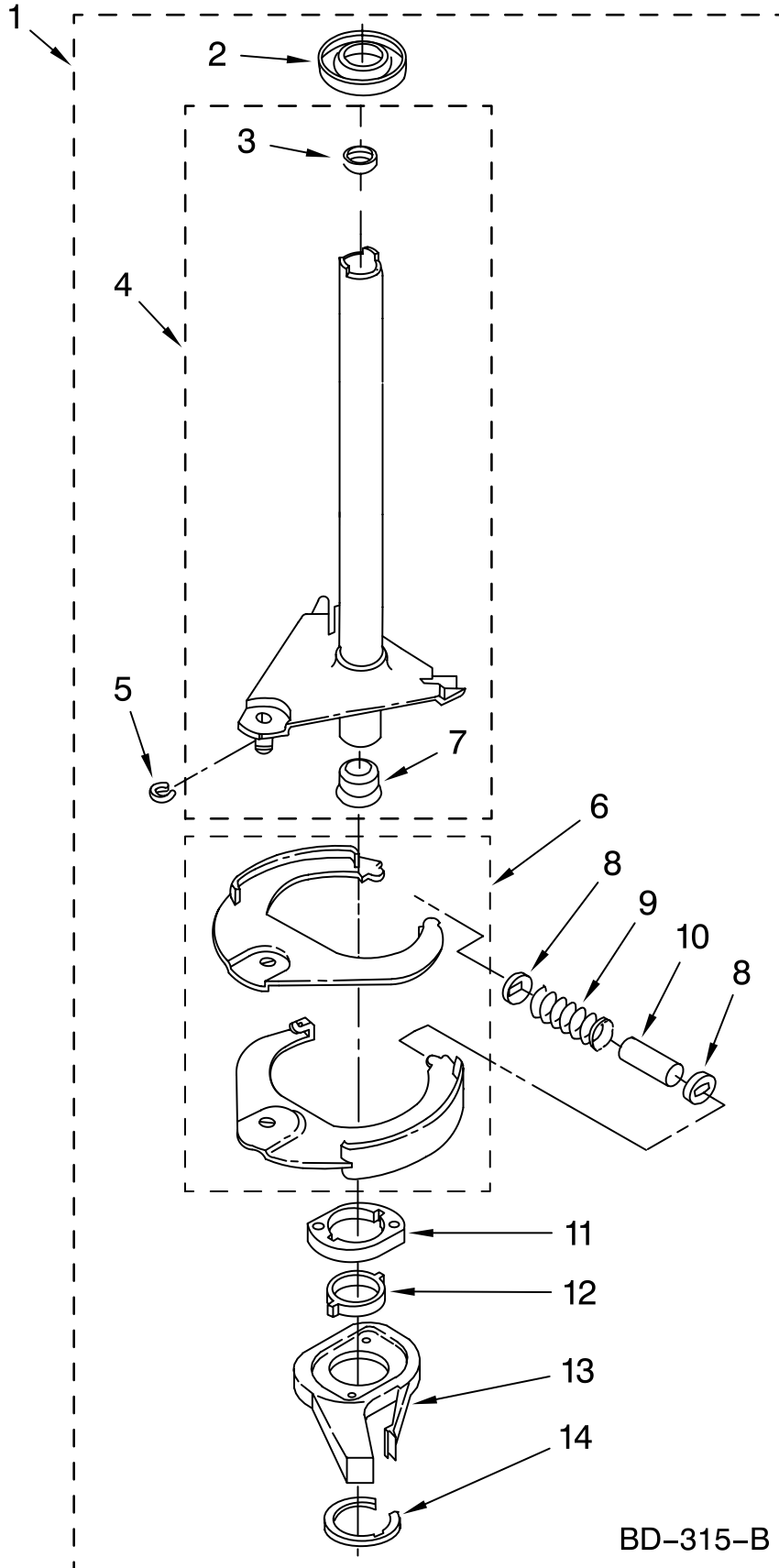
**FOR COMPLETE WIRING HARNESS REFER TO
CONTROL AND REAR PANEL PARTS PAGE**

WH2J

FOR ORDERING INFORMATION REFER TO PARTS PRICE LIST

BRAKE AND DRIVE TUBE PARTS

For Models: WTW5500SQ2, WTW5500ST2
(White) (Biscuit)



Illus. No.	Part No.	DESCRIPTION
------------	----------	-------------

1	388952	Brake And Drive Tube (Complete)
2	62658	Ring, Thrust
3	356427	Seal, Drive Tube
4	64027	Tube, Basket Drive (Includes Illus. 3, 4, 5 & 9)
5	64035	Ring, Retaining
6	64232	Shoe, Brake (2)
7	62703	"T" Bearing, Spin Tube
8	3353956	Cap, Brake Spring (2)
9	387806	Spring, Brake
10	3355360	Sleeve, Brake Spring
11	661516	Cam, Brake Release
12	63022	Sleeve, Cam
13	64194	Driver, Brake Cam
14	90368	Ring, Retaining

FOLLOWING PARTS NOT ILLUSTRATED

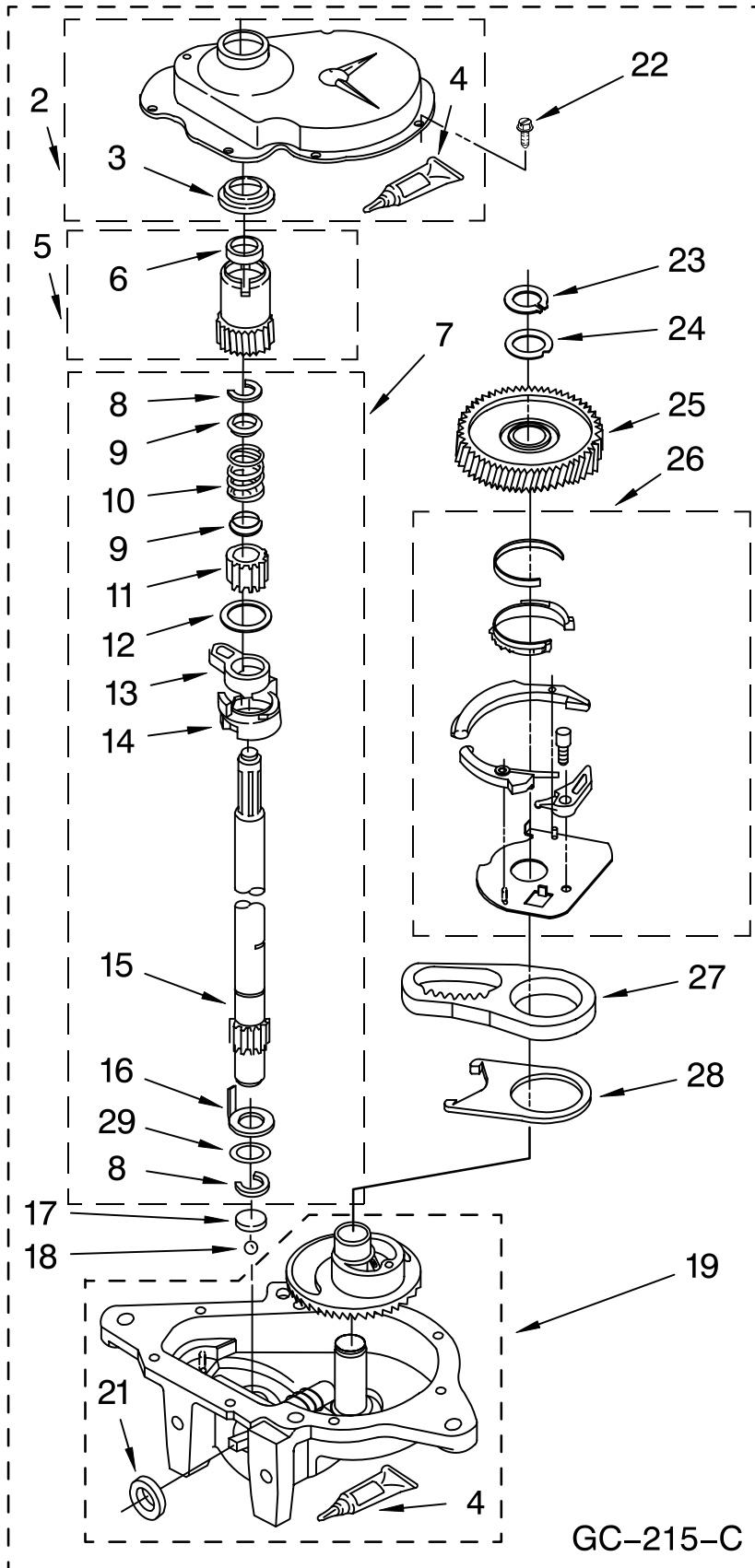
285208 Lubricant
(Use Only In Brake Shoe Assembly On Roller & Pin)

BD-315-B

FOR ORDERING INFORMATION REFER TO PARTS PRICE LIST

GEARCASE PARTS

For Models: WTW5500SQ2, WTW5500ST2
(White) (Biscuit)



Illus. No.	Part No.	DESCRIPTION
1	3360630	Gearcase (Complete)
2	285202	Cover, Gearcase
3	3349985	Seal, Gearcase Cover
4	285195	Sealer, Gasket (.20 Fl. Oz.) (6 ml)
5	63320	Pinion, Spin (Includes Illus. 25)
6	356427	Seal, Spin Pinion
7	389387	Shaft, Agitator (Complete)
8	90369	Ring, Retaining (2)
9	62677	Retainer, Spring
10	62676	Spring, Agitate
11	63273	Gear, Agitate (Includes 15 and 29)
12	62619	Washer, Agitate Gear
13	62580	Cam Follower (Includes 14)
14	62581	Cam, Agitate (Includes 13)
15	285509	Shaft, Agitator (Includes 11 and 29)
16	62618	Washer, Cam Thrust
17	16018	Bearing, Thrust
18	85529	Ball, Bearing
19	389230	Bottom and Pinion, Gearcase
21	285352	Seal, Thrust Plug
22	3351614	Screw, Gearcase Cover, Mounting (8) (10-24 x 3/8)
23	3362552	Ring, Retaining
24	285735	Washer Kit, Thrust
25	62570	Gear, Spin
26	388253	Neutral Assembly
27	3349296	Rack, Connecting
28	62621	Actuator, Shift
29	388815	Washer, Intermediate

GC-215-C

FOR ORDERING INFORMATION REFER TO PARTS PRICE LIST

OPTIONAL PARTS (NOT INCLUDED)

For Models: WTW5500SQ2, WTW5500ST2
(White) (Biscuit)

Illus. No.	Part No.	DESCRIPTION
-------------------	-----------------	--------------------

PAINT, TOUCH-UP (1/2oz.)

72017 White
4392899 Biscuit

PAINT, PRESSURIZED SPRAY (12 oz.)

350938 Primer, Gray
350930 White
4392901 Biscuit

PAINT, BULK (1 qt.)

799344 White (Uncut)
4392900 Biscuit (Uncut)

OIL

350572 Oil, Gearcase
(16 Oz.)

LUBRICANT

285208 Lubricant (Use
Only in Brake
Shoe Assembly
On Roller and
Pin)

SEALER

285195 Sealer, Gasket
(.20 Fl. Oz.) (6 ml)

ACCESSORY PARTS

367031 Drain Protector
280129 Siphon Break Kit
280130 Drain Hose
Adapter Kit
280131 Drain Hose
Extension Kit

FOR ORDERING INFORMATION REFER TO PARTS PRICE LIST

Free Manuals Download Website

<http://myh66.com>

<http://usermanuals.us>

<http://www.somanuals.com>

<http://www.4manuals.cc>

<http://www.manual-lib.com>

<http://www.404manual.com>

<http://www.luxmanual.com>

<http://aubethermostatmanual.com>

Golf course search by state

<http://golfingnear.com>

Email search by domain

<http://emailbydomain.com>

Auto manuals search

<http://auto.somanuals.com>

TV manuals search

<http://tv.somanuals.com>