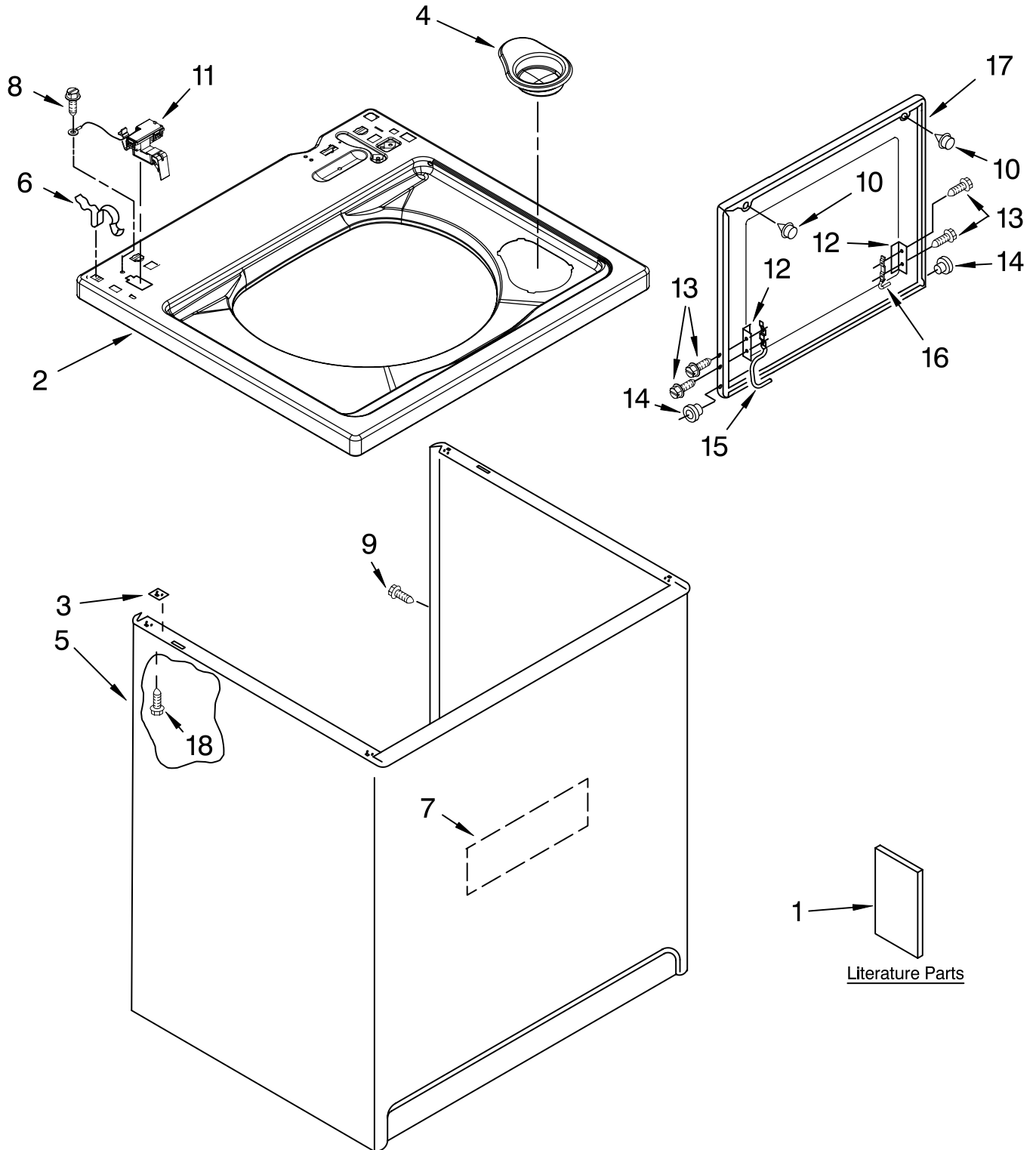




# TOP AND CABINET PARTS

For Models: WTW5800SW0, WTW5800SG0  
(White/Grey) (Biscuit/Gold)

AUTOMATIC  
WASHER



FOR ORDERING INFORMATION REFER TO PARTS PRICE LIST

# TOP AND CABINET PARTS

For Models: WTW5800SW0, WTW5800SG0  
(White/Grey) (Biscuit/Gold)

| <b>Illus.<br/>No.</b> | <b>Part<br/>No.</b> | <b>DESCRIPTION</b>           |
|-----------------------|---------------------|------------------------------|
| 1                     |                     | Literature Parts             |
|                       | W10044800           | Installation<br>Instructions |
|                       | 3955884             | Use & Care Guide             |
|                       | 3957873             | Feature Sheet                |
|                       | W10023760           | Energy Guide                 |
|                       | 8577790             | Wiring Diagram               |

## Following May Be Purchased

### DO-IT-YOURSELF REPAIR MANUALS

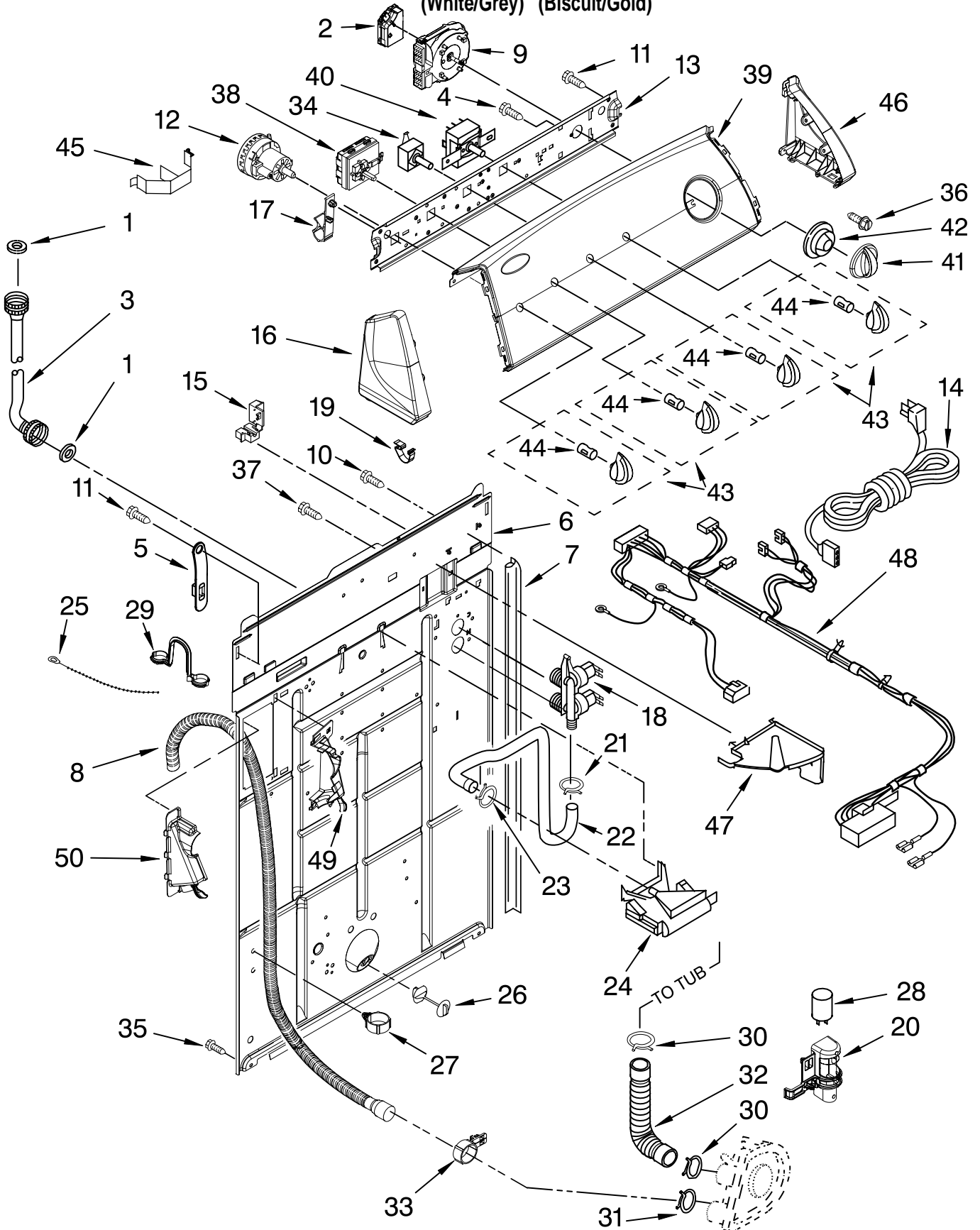
|    |         |   |
|----|---------|---|
|    | 4313896 | Manual, Washer                          |
| 2  |         | Top                                     |
|    | 8566017 | White                                   |
|    | 8580044 | Biscuit                                 |
| 3  | 62750   | Spacer, Cabinet To<br>Top (4)           |
| 4  | 8566266 | Dispenser, Bleach                       |
| 5  |         | Cabinet                                 |
|    | 63424   | White                                   |
|    | 3954357 | Biscuit                                 |
| 6  | 62780   | Clip, Top & Cabinet<br>& Rear Panel (2) |
| 7  | 3976348 | Cabinet-Sound<br>Damper                 |
| 8  | 3351614 | Screw, Ground                           |
| 9  | 3357011 | Screw, 10-16 x 1/2                      |
| 10 | 9724509 | Bumper, Lid (2)                         |
| 11 | 8318084 | Switch, Lid                             |
| 12 | 21097   | Pad, Hinge                              |
| 13 | 355274  | Screw, Lid Hinge<br>Mounting (4)        |
| 14 | 8319539 | Bearing, Lid<br>Hinge (2)               |
| 15 | 8559336 | Hinge, Lid (L.H.)                       |
| 16 | 91770   | Hinge, Lid (R.H.)                       |
| 17 |         | Lid                                     |
|    | 8580057 | White                                   |
|    | 8580058 | Biscuit                                 |
| 18 | 3390631 | Screw,<br>10-16 x 3/8 (4)               |

FOR ORDERING INFORMATION REFER TO PARTS PRICE LIST

# CONTROLS AND REAR PANEL PARTS

For Models: WTW5800SW0, WTW5800SG0

(White/Grey) (Biscuit/Gold)



FOR ORDERING INFORMATION REFER TO PARTS PRICE LIST

# CONTROLS AND REAR PANEL PARTS

For Models: WTW5800SW0, WTW5800SG0

(White/Grey) (Biscuit/Gold)

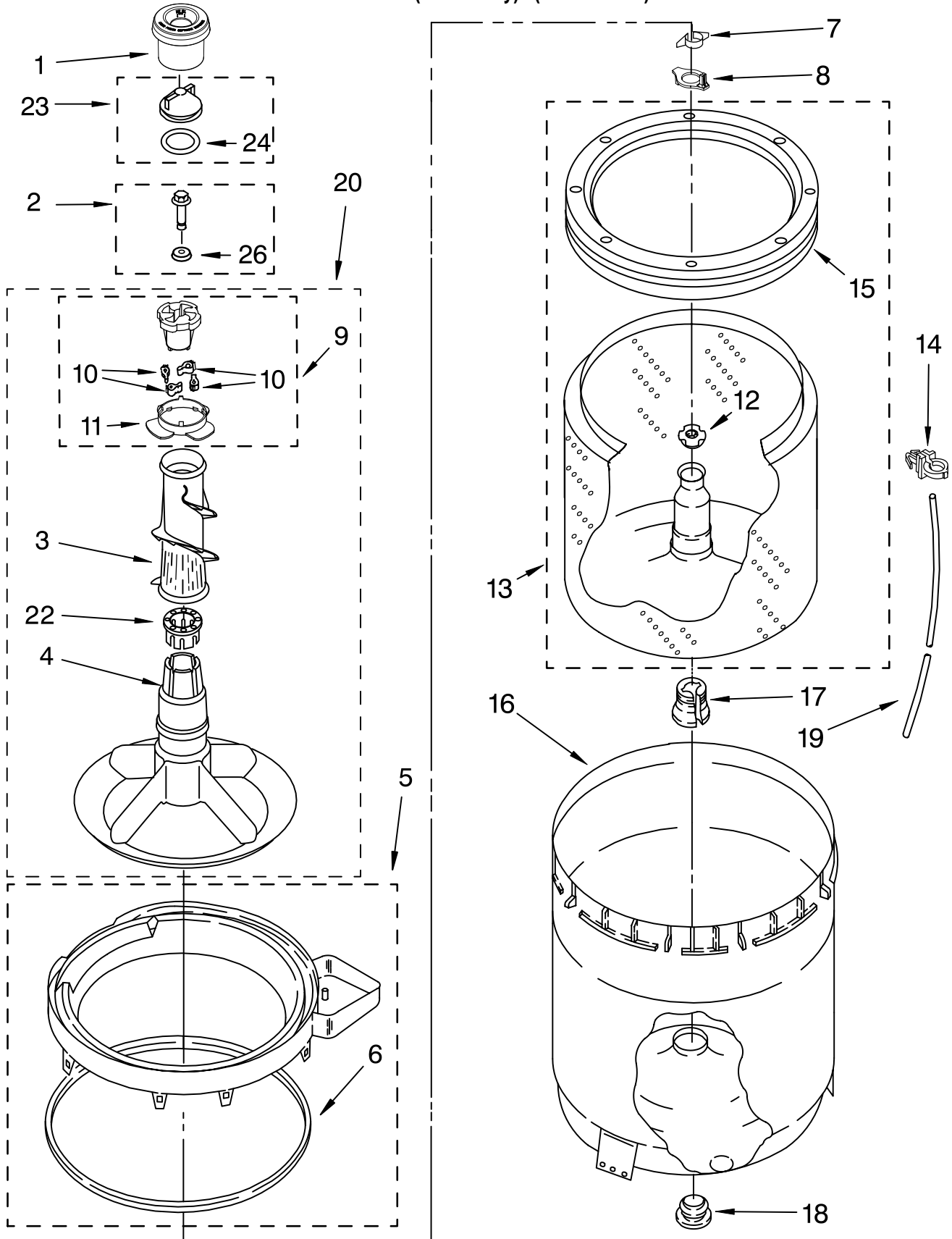
| Illus. No. | Part No. | DESCRIPTION  | Illus. No. | Part No. | DESCRIPTION                           | Illus. No. | Part No.  | DESCRIPTION  |
|------------|----------|--|------------|----------|---------------------------------------|------------|-----------|--|
| 1          | 3976300  | Washer, Water Inlet Hose (4) (1-1/16 x 5/8)        | 16         |          | Cap, End (L.H.) (Includes Item 19)    | 38         | 8577786   | Switch, Water Temperature (ATC)                                  |
| 2          | 8576472  | Circuit Board, Agitation Delay                     |            | 8566035  | White                                 | 39         |           | Panel, Console   |
| 3          |          | Hose, Water Inlet (2)                              | 17         | 8317975  | Retainer, Harness                     |            | 8578811   | Silver   |
|            | 8571377  | Blue Coupler                                       | 18         | 3979347  | Valve, Water Inlet & Thermistor Assy. | 40         | 8578812   | Gold   |
|            | 8571378  | Red Coupler  | 19         | 8312709  | Clip, Console                         | 41         | 8578536   | Switch, Rotary   |
| 4          | 3400073  | Screw, Ground                                      | 20         | 8318046  | Clip, Capacitor                       |            | W10034730 | Silver   |
| 5          | 8568314  | Strap, Console (2)                                 | 21         | 301958   | Clamp, Hose                           |            | W10034740 | Biscuit  |
| 6          | 8318015  | Panel, Rear  | 22         | 8317974  | Hose, Vacuum Break                    | 42         | 8566018   | Dial, Timer  |
| 7          | 62747    | Pad, Rear Panel                                    | 23         | 370450   | Clamp, Hose                           | 43         |           | Knob, Control  |
| 8          | 8559373  | Drain Hose Assembly (Includes Items 27 & 33)       | 24         | 387606   | Break, Vacuum                         |            | W10034380 | Silver   |
| 9          | 8577787  | Timer, Control (60 Hz.) (Motor Not A Service Part) | 25         | 3347868  | Cable Tie                             |            | W10034390 | Biscuit  |
| 10         | 3351614  | Screw, Ground                                      | 26         | 8519200  | Support, Rear Panel                   | 44         | 8536939   | Clip, Knob   |
| 11         | 90767    | Screw, 8-18 X 3/8                                  | 27         | 8541667  | Clamp, Hose                           | 45         | 8055003   | Clip, Harness & Pressure Hose                                    |
| 12         | 8577842  | Switch, Water Level                                | 28         | 8572718  | Capacitor, Motor Start                | 46         |           | Cap, End (R.H.) (Includes Item 19)                               |
| 13         | 8566003  | Bracket, Control                                   | 29         | 8577378  | U-Bend, Drain Hose                    |            | 8566032   | White  |
| 14         | 3956162  | Cord, Power (Includes Item 15)                     | 30         | 3363366  | Clamp, Hose                           |            | 8566033   | Biscuit  |
| 15         | 3952821  | Strain Relief, Power Cord                          | 31         | 8317496  | Clamp, Hose                           | 47         | 8539874   | Shield, Suds   |
|            |          |  | 32         | 3951449  | Hose, Pump To Tub (Includes Item 30)  | 48         | 3958083   | Harness, Wiring (Includes Item 40) (For Detail See Pages 9 & 10) |
|            |          |  | 33         | 8541668  | Clamp, Hose                           | 49         | 8541669   | Bucket, Drain Hose (Left Half)                                   |
|            |          |  | 34         | 3949187  | Switch, Rotary                        | 50         | 8541658   | Bucket, Drain Hose (Right Half)                                  |
|            |          |  | 35         | 62863    | Screw, 10-16 x 3/8                    |            |           |  |
|            |          |  | 36         | 3400818  | Screw, Timer Mounting                 |            |           |  |
|            |          |  | 37         | 9740848  | Screw, 8-18 x 1/2                     |            |           |  |

FOR ORDERING INFORMATION REFER TO PARTS PRICE LIST

# AGITATOR, BASKET AND TUB PARTS

For Models: WTW5800SW0, WTW5800SG0

(White/Grey) (Biscuit/Gold)



FOR ORDERING INFORMATION REFER TO PARTS PRICE LIST

# AGITATOR, BASKET AND TUB PARTS

For Models: WTW5800SW0, WTW5800SG0

(White/Grey) (Biscuit/Gold)

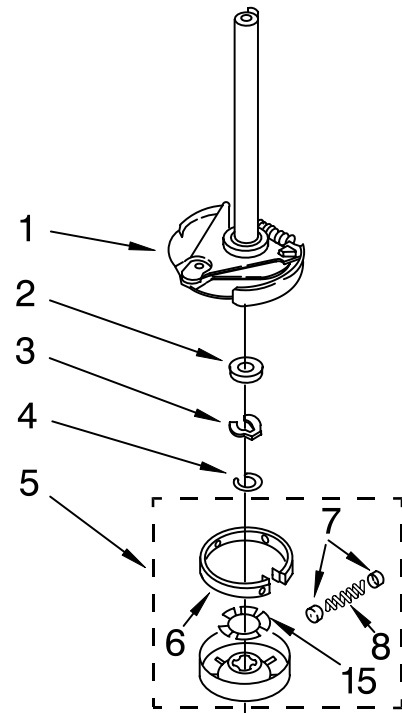
| <b>Illus.<br/>No.</b> | <b>Part<br/>No.</b> | <b>DESCRIPTION</b>              |
|-----------------------|---------------------|---------------------------------|
| 1                     | 8575076             | Dispenser                       |
| 2                     | 358237              | Screw & Washer<br>(5/16-24 x 1) |
| 3                     | 3363003             | Clothes Mover                   |
| 4                     | 3951632             | Agitator                        |
| 5                     | 8528150             | Tub Ring & Gasket               |
| 6                     | 3976308             | Seal, Tub Ring                  |
| 7                     | 3354845             | Clip, Agitator                  |
| 8                     | 8543666             | Washer, Agitator                |
| 9                     | 3951682             | Cam, Driven                     |
| 10                    | 3366877             | Dog, Agitator<br>Clutch (4)     |
| 11                    | 3952374             | Bearing-Driven<br>Cam           |
| 12                    | 21366               | Nut, Spanner                    |
| 13                    | 8526016             | Basket & Balance<br>Ring        |
| 14                    | 2219077             | Clip, Pressure<br>Switch Hose   |
| 15                    | 8519788             | Balance Ring                    |
| 16                    | 63849               | Tub                             |
| 17                    | 389140              | Block, Basket<br>Drive          |
| 18                    | 383727              | Gasket, Centerpost              |
| 19                    | 3347780             | Hose, Pressure<br>Switch        |
| 20                    | 3951744             | Agitator<br>(Complete)          |
| 22                    | 3951608             | Spacer, Thrust                  |
| 23                    | 3354733             | Cap, Barrier                    |
| 24                    | 3348855             | Seal, Inner Cap                 |
| 26                    | 3949550             | Washer                          |

FOR ORDERING INFORMATION REFER TO PARTS PRICE LIST

# BRAKE, CLUTCH, GEARCASE, MOTOR AND PUMP PARTS

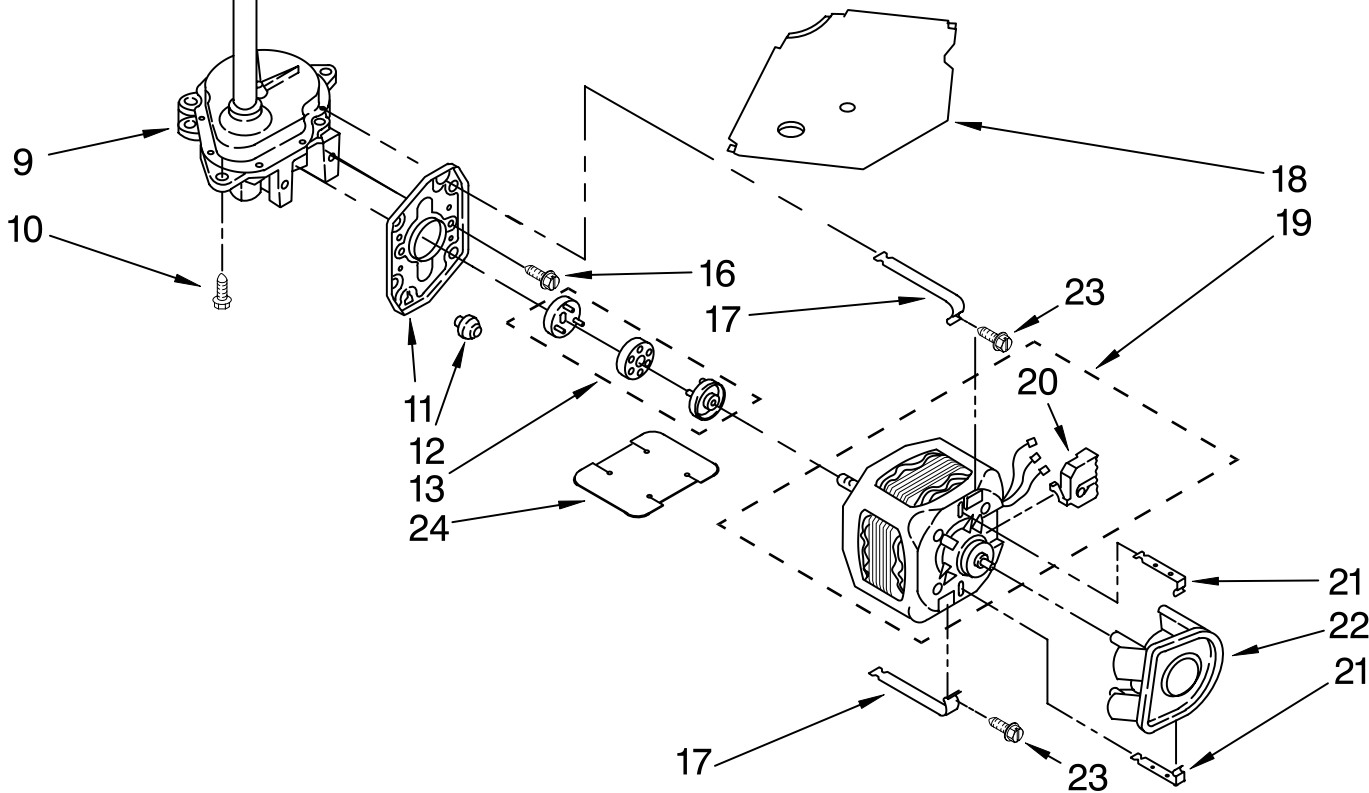
For Models: WTW5800SW0, WTW5800SG0

(White/Grey) (Biscuit/Gold)



| Illus. No. | Part No. | DESCRIPTION  |
|------------|----------|--|
| 1          | 388952   | Brake & Drive Tube (Complete) (Refer to Page 11 For Further Breakdown) |
| 2          | 63292    | Washer, Spin Tube Thrust   |
| 3          | 62697    | Ring, Spin Tube Support  |
| 4          | 63283    | Ring, Retainer   |
| 5          | 3951311  | Clutch (Complete)  |
| 6          | 3951308  | Band & Lining, Clutch (Includes Items 7 & 8)                           |
| 7          | 62646    | Cap, Clutch Spring (2)   |
| 8          | 3946792  | Spring, Clutch   |
| 9          | 3360630  | Gearcase (Complete) (Refer To Page 12 For Further Breakdown)           |

| Illus. No. | Part No. | DESCRIPTION                    |
|------------|----------|--------------------------------|
| 10         | 3357334  | Screw, Gearcase To Base (3)    |
| 11         | 62611    | Plate, Motor Mount To Gearcase |
| 12         | 62691    | Grommet, Motor (4)             |
| 13         | 285753   | Coupling, Motor & Isolation    |
| 15         | 3355454  | Clip, Anti-Rattle              |
| 16         | 3400516  | Screw                          |
| 17         | 3349637  | Retainer, Motor (2)            |
| 18         | 3362089  | Shield, Tub To Motor           |
| 19         | 8529935  | Motor, Main Drive              |
| 20         | 8529896  | Switch, Main Drive Motor       |
| 21         | 8546127  | Retainer, Pump (2)             |
| 22         | 3363394  | Pump (Complete)                |
| 23         | 3387485  | Screw, 10-16 x 5/8             |
| 24         | 3946532  | Shield, Motor                  |

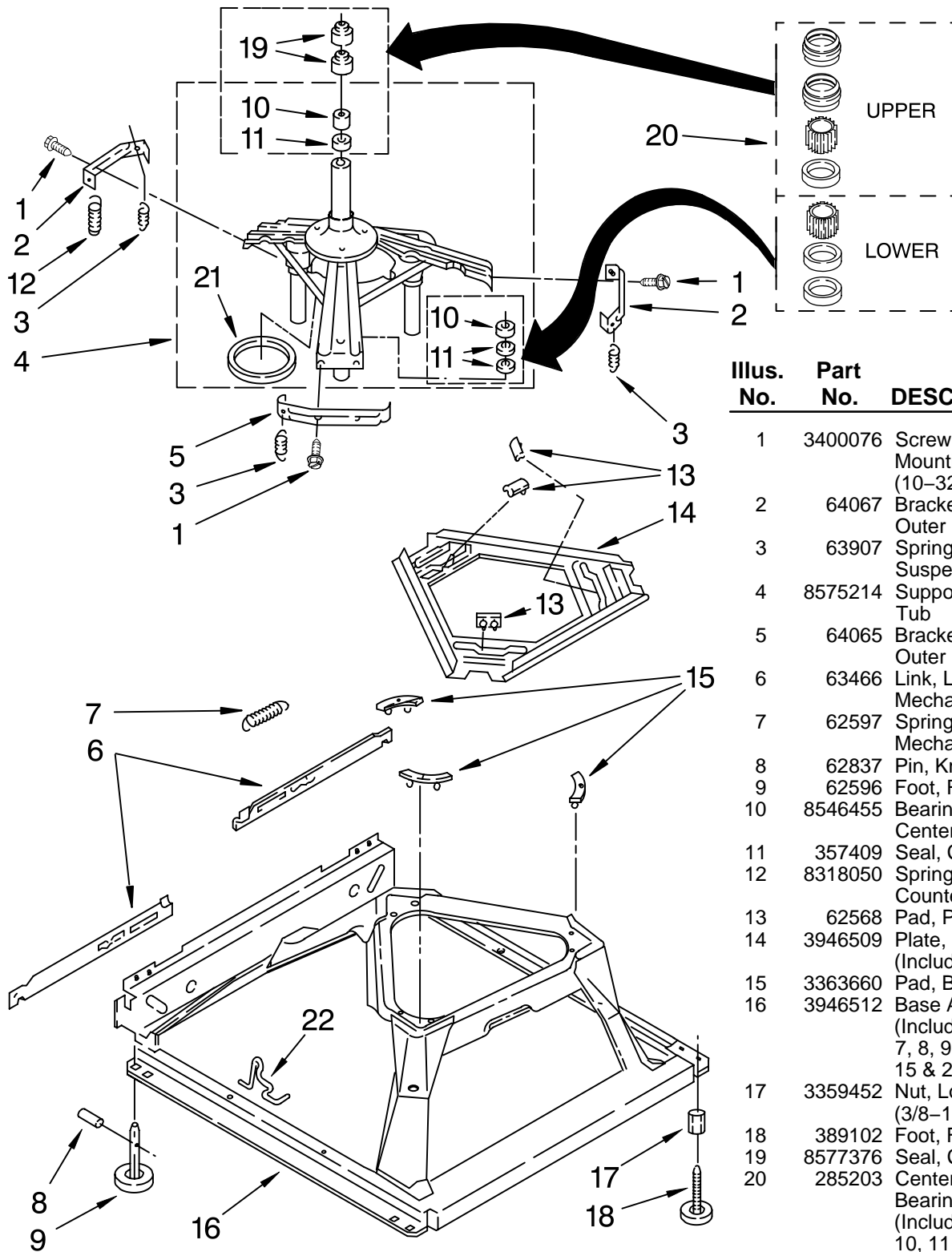


FOR ORDERING INFORMATION REFER TO PARTS PRICE LIST

# MACHINE BASE PARTS

For Models: WTW5800SW0, WTW5800SG0

(White/Grey) (Biscuit/Gold)



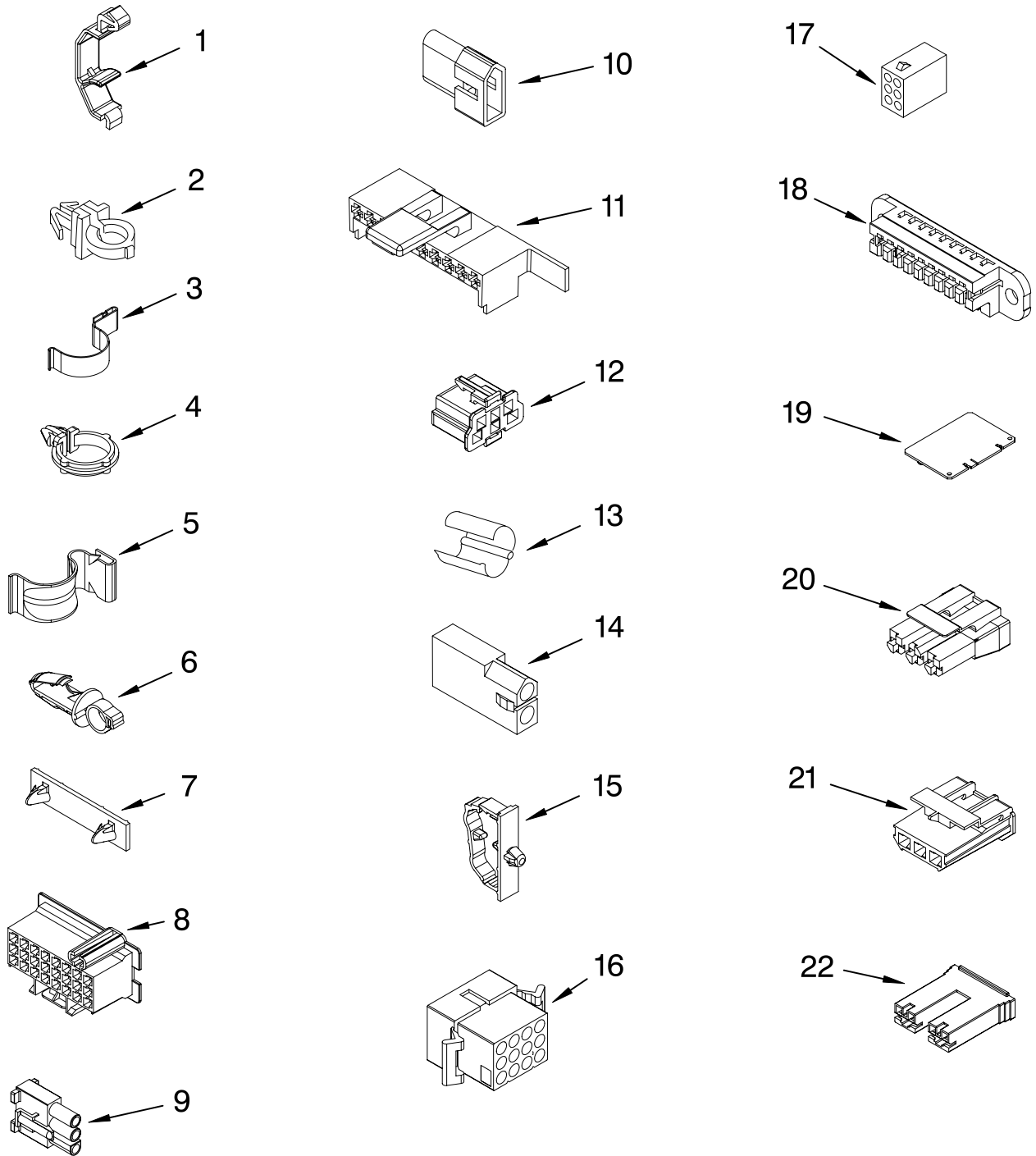
| Illus. No. | Part No. | DESCRIPTION  |
|------------|----------|--|
| 1          | 3400076  | Screw, Bracket Mounting (10-32 x 5/8)                      |
| 2          | 64067    | Bracket, Spring Outer (2)                                  |
| 3          | 63907    | Spring Suspension, (3)                                     |
| 4          | 8575214  | Support & Brake, Tub                                       |
| 5          | 64065    | Bracket, Spring Outer (L.F.)                               |
| 6          | 63466    | Link, Leveling Mechanism (2)                               |
| 7          | 62597    | Spring, Leveling Mechanism                                 |
| 8          | 62837    | Pin, Knurled   |
| 9          | 62596    | Foot, Rear (2)   |
| 10         | 8546455  | Bearing, Centerpost (2)                                    |
| 11         | 357409   | Seal, Centerpost (3)                                       |
| 12         | 8318050  | Spring, Counterweight                                      |
| 13         | 62568    | Pad, Plate   |
| 14         | 3946509  | Plate, Suspension (Includes Item 13)                       |
| 15         | 3363660  | Pad, Base  |
| 16         | 3946512  | Base Assembly (Includes Items 6, 7, 8, 9, 13, 14, 15 & 22) |
| 17         | 3359452  | Nut, Lock (2) (3/8-16)                                     |
| 18         | 389102   | Foot, Front (2)  |
| 19         | 8577376  | Seal, Centerpost   |
| 20         | 285203   | Centerpost Bearing Kit (Includes Items 10, 11 & 19)        |
| 21         | 63134    | Ring, Sound Deadening                                      |
| 22         | 63806    | Retainer, Suspension Spring                                |

FOR ORDERING INFORMATION REFER TO PARTS PRICE LIST



# WIRING HARNESS PARTS

For Models: WTW5800SW0, WTW5800SG0  
(White/Grey) (Biscuit/Gold)



WH2I

FOR ORDERING INFORMATION REFER TO PARTS PRICE LIST

# WIRING HARNESS PARTS

For Models: WTW5800SW0, WTW5800SG0

(White/Grey) (Biscuit/Gold)

| Illus. No. | Part No. | DESCRIPTION  | Illus. No. | Part No. | DESCRIPTION   | Illus. No. | Part No. | DESCRIPTION                       |
|------------|----------|--|------------|----------|---|------------|----------|-----------------------------------|
| 1          | 3349557  | Clip, Harness  | 10         | 353424   | Plug, Terminal<br>(3-Way)                                     | 17         | 3347730  | Receptacle<br>(6-Way)             |
| 2          | 388498   | Clip, Harness  |            |          | (Power Cord)  |            |          | (Use Term. 94613)                 |
| 3          | 3347812  | Clip, Harness  |            |          | (Use Term.94613)  | 18         | 3349494  | Connector, Etc                    |
| 4          | 3352501  | Clip, Harness  | 11         | 62505    | Block, Disconnect<br>(Motor 2 Speed)                          | 19         | 3407125  | E.T.C. Control                    |
| 5          | 90016    | Clip, Harness  |            |          | (Use Term.352088)   | 20         | 3948617  | Connector (T.P.A.)<br>(3-Circuit) |
| 6          | 3390496  | Clip, Harness  | 12         | 3347243  | Block, Disconnect<br>(Use Term. 352088)                       | 21         | 3360056  | Connector (T.P.A.)<br>(3-Circuit) |
| 7          | 389379   | Retainer,<br>(Suds Models)   | 13         | 63523    | Protector   |            |          | (Pressure Switch)                 |
| 8          |          | Timer, Block<br>Disconnect   | 14         | 717252   | Connector<br>(2-Way)  | 22         |          | Block, Connector                  |
|            | 3948614  | White  |            |          | (Use Term.94614)  |            | 3354925  | Cold Valve                        |
|            | 352089   | Black  | 15         | 3352944  | Clip, Harness   |            | 3354926  | Hot Valve                         |
| 9          | 62889    | Receptacle,<br>Terminal<br>(3-Way)<br>(Lid Switch)<br>(Use Term.94613)<br>Or 94614.) | 16         | 3390423  | Block, Disconnect<br>(12-Way)<br>(Timer)<br>(Use Term. 94613) |            |          |                                   |

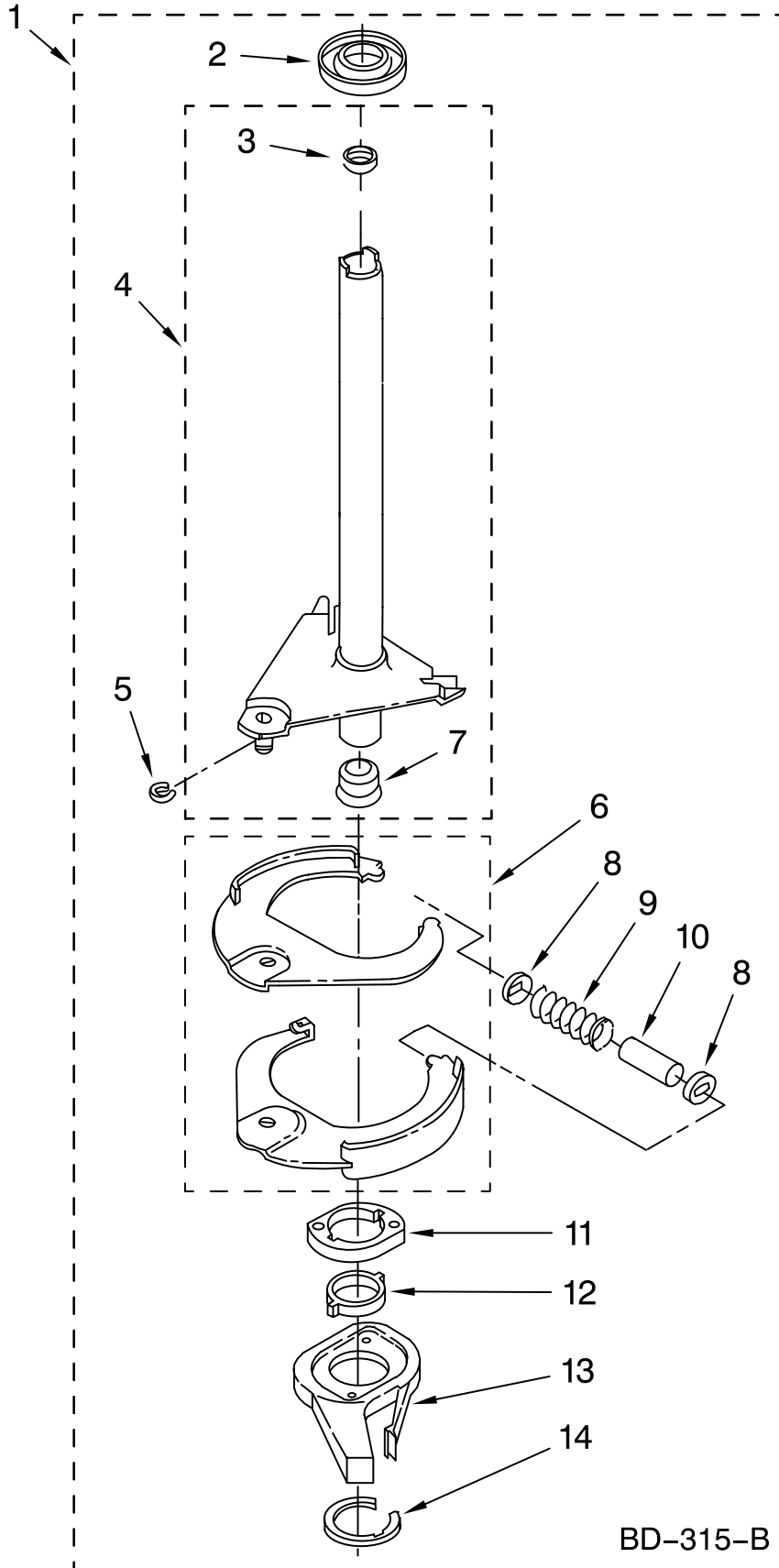
**FOR COMPLETE WIRING HARNESS REFER TO  
CONTROL AND REAR PANEL PARTS PAGE**

WH2I

FOR ORDERING INFORMATION REFER TO PARTS PRICE LIST

# BRAKE AND DRIVE TUBE PARTS

For Models: WTW5800SW0, WTW5800SG0  
(White/Grey) (Biscuit/Gold)



| Illus. No. | Part No. | DESCRIPTION |
|------------|----------|-------------|
|------------|----------|-------------|

|    |         |  |
|----|---------|--|
| 1  | 388952  | Brake And Drive Tube (Complete)                  |
| 2  | 62658   | Ring, Thrust                                     |
| 3  | 356427  | Seal, Drive Tube                                 |
| 4  | 64027   | Tube, Basket Drive (Includes Illus. 3, 4, 5 & 9) |
| 5  | 64035   | Ring, Retaining                                  |
| 6  | 64232   | Shoe, Brake (2)                                  |
| 7  | 62703   | "T" Bearing, Spin Tube                           |
| 8  | 3353956 | Cap, Brake Spring (2)                            |
| 9  | 387806  | Spring, Brake                                    |
| 10 | 3355360 | Sleeve, Brake Spring                             |
| 11 | 661516  | Cam, Brake Release                               |
| 12 | 63022   | Sleeve, Cam                                      |
| 13 | 64194   | Driver, Brake Cam                                |
| 14 | 90368   | Ring, Retaining                                  |

FOLLOWING PARTS NOT ILLUSTRATED

285208 Lubricant  
(Use Only In Brake Shoe Assembly On Roller & Pin)

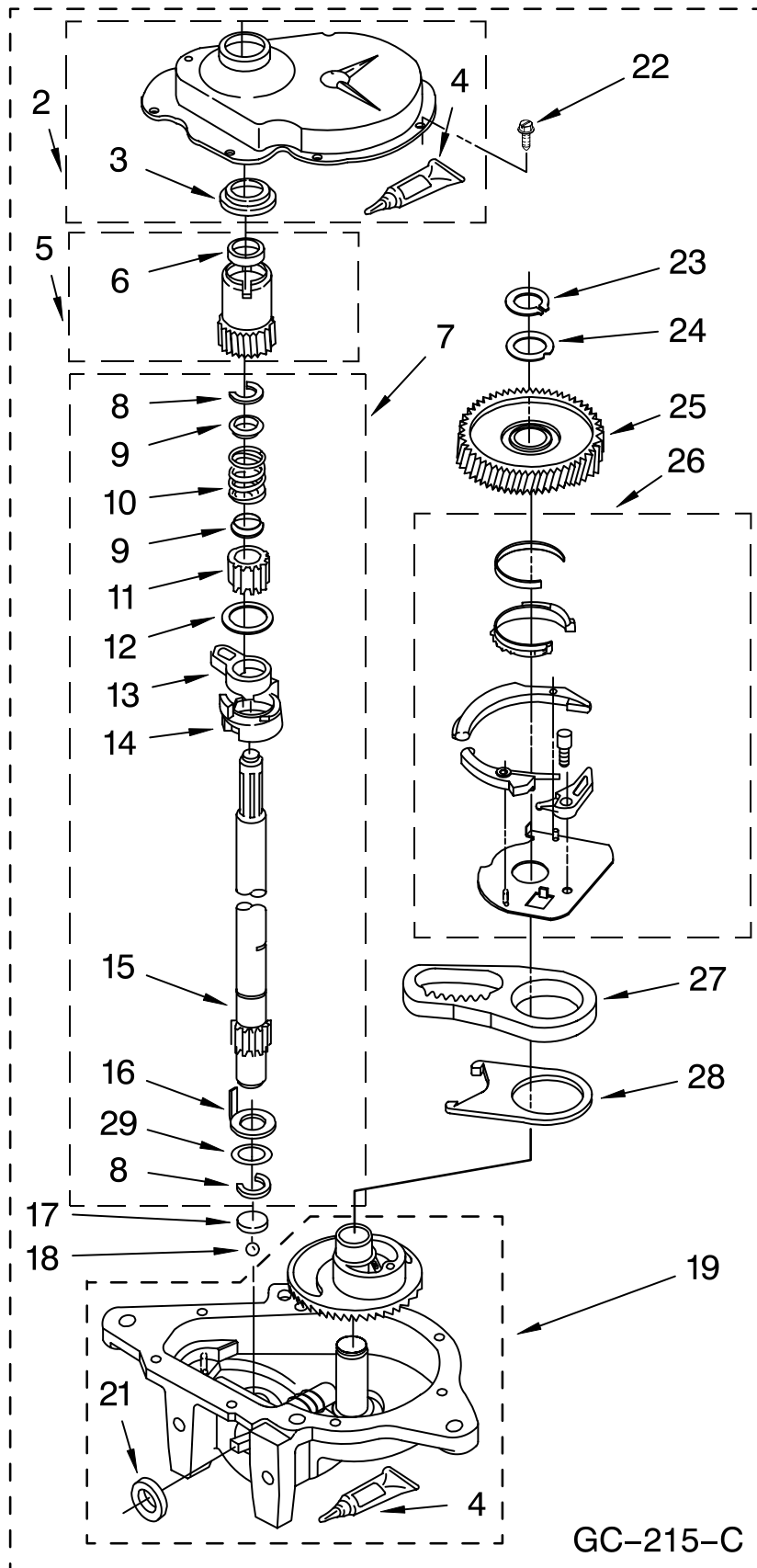
BD-315-B

FOR ORDERING INFORMATION REFER TO PARTS PRICE LIST

# GEARCASE PARTS

For Models: WTW5800SW0, WTW5800SG0

(White/Grey) (Biscuit/Gold)



| Illus. No. | Part No. | DESCRIPTION                                       |
|------------|----------|---|
| 1          | 3360630  | Gearcase (Complete)                               |
| 2          | 285202   | Cover, Gearcase                                   |
| 3          | 3349985  | Seal, Gearcase Cover                              |
| 4          | 285195   | Sealer, Gasket (.20 Fl. Oz.) (6 ml)               |
| 5          | 63320    | Pinion, Spin (Includes Illus. 25)                 |
| 6          | 356427   | Seal, Spin Pinion                                 |
| 7          | 389387   | Shaft, Agitator (Complete)                        |
| 8          | 90369    | Ring, Retaining (2)                               |
| 9          | 62677    | Retainer, Spring                                  |
| 10         | 62676    | Spring, Agitate                                   |
| 11         | 63273    | Gear, Agitate (Includes 15 and 29)                |
| 12         | 62619    | Washer, Agitate Gear                              |
| 13         | 62580    | Cam Follower (Includes 14)                        |
| 14         | 62581    | Cam, Agitate (Includes 13)                        |
| 15         | 285509   | Shaft, Agitator (Includes 11 and 29)              |
| 16         | 62618    | Washer, Cam Thrust                                |
| 17         | 16018    | Bearing, Thrust                                   |
| 18         | 85529    | Ball, Bearing                                     |
| 19         | 389230   | Bottom and Pinion, Gearcase                       |
| 21         | 285352   | Seal, Thrust Plug                                 |
| 22         | 3351614  | Screw, Gearcase Cover, Mounting (8) (10-24 x 3/8) |
| 23         | 3362552  | Ring, Retaining                                   |
| 24         | 285735   | Washer Kit, Thrust                                |
| 25         | 62570    | Gear, Spin  |
| 26         | 388253   | Neutral Assembly                                  |
| 27         | 3349296  | Rack, Connecting                                  |
| 28         | 62621    | Actuator, Shift                                   |
| 29         | 388815   | Washer, Intermediate                              |

GC-215-C

FOR ORDERING INFORMATION REFER TO PARTS PRICE LIST

# OPTIONAL PARTS (NOT INCLUDED)

For Models: WTW5800SW0, WTW5800SG0  
(White/Grey) (Biscuit/Gold)

| <b>Illus.</b> | <b>Part</b> |                    |
|---------------|-------------|--------------------|
| <b>No.</b>    | <b>No.</b>  | <b>DESCRIPTION</b> |

## PAINT, TOUCH-UP (1/2oz.)

72017 White  
4392899 Biscuit

## PAINT, PRESSURIZED SPRAY (12 oz.)

350938 Primer, Gray  
350930 White  
4392901 Biscuit

## PAINT, BULK (1 qt.)

799344 White (Uncut)  
4392900 Biscuit (Uncut)

## OIL

350572 Oil, Gearcase  
(16 Oz.)

## LUBRICANT

285208 Lubricant (Use  
Only in Brake  
Shoe Assembly  
On Roller and  
Pin)

## SEALER

285195 Sealer, Gasket  
(.20 Fl. Oz.) (6 ml)

## ACCESSORY PARTS

367031 Drain Protector  
280129 Siphon Break Kit  
280130 Drain Hose  
Adapter Kit  
280131 Drain Hose  
Extension Kit

FOR ORDERING INFORMATION REFER TO PARTS PRICE LIST

## Free Manuals Download Website

<http://myh66.com>

<http://usermanuals.us>

<http://www.somanuals.com>

<http://www.4manuals.cc>

<http://www.manual-lib.com>

<http://www.404manual.com>

<http://www.luxmanual.com>

<http://aubethermostatmanual.com>

Golf course search by state

<http://golfingnear.com>

Email search by domain

<http://emailbydomain.com>

Auto manuals search

<http://auto.somanuals.com>

TV manuals search

<http://tv.somanuals.com>