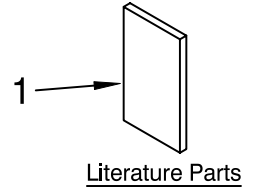
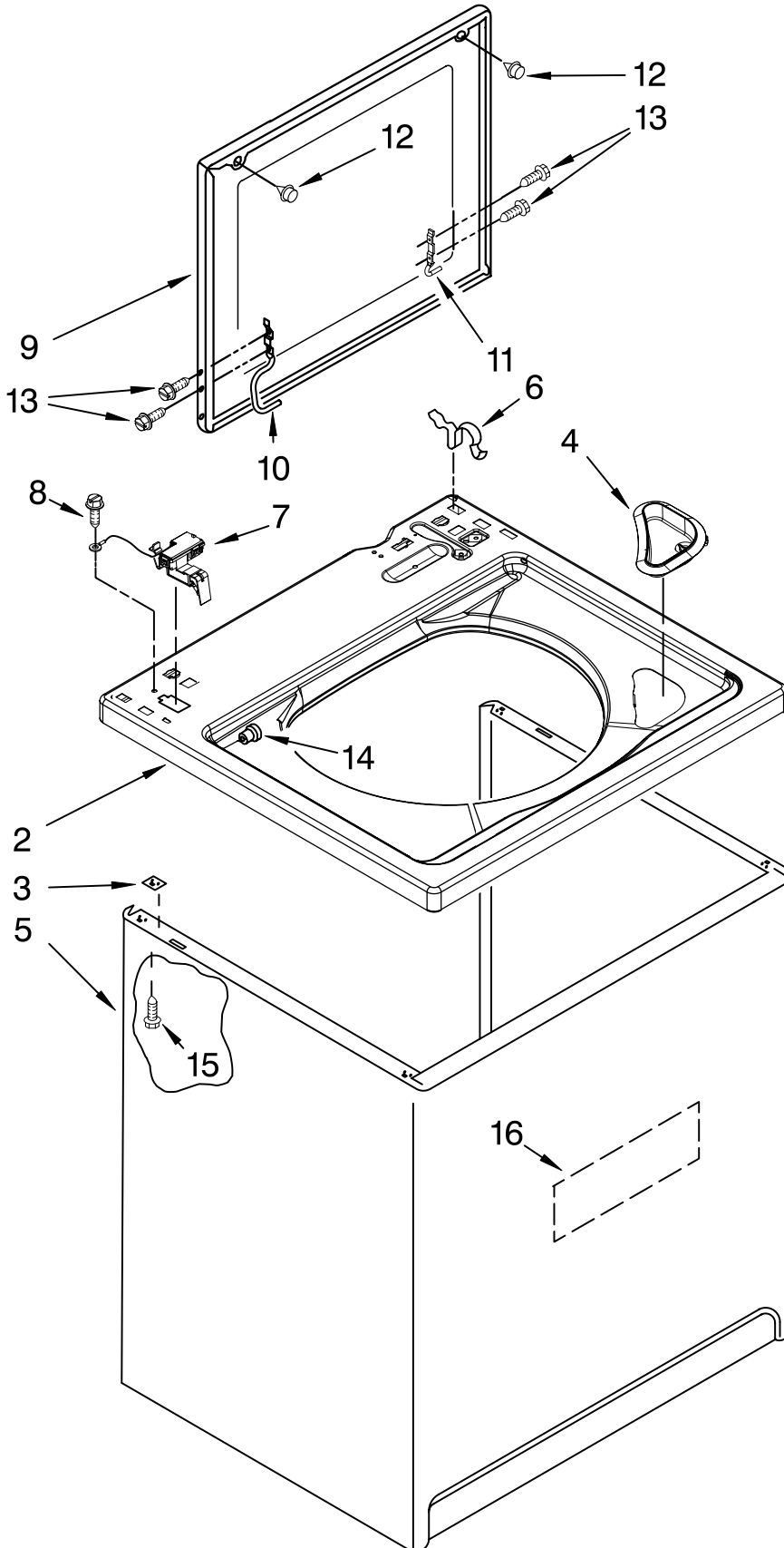




TOP AND CABINET PARTS

For Model: WTW58ESVW1
(White)

AUTOMATIC
WASHER



FOR ORDERING INFORMATION REFER TO PARTS PRICE LIST

TOP AND CABINET PARTS

For Model: WTW58ESVW1

(White)

| <u>Illus. No.</u> | <u>Part No.</u> | <u>DESCRIPTION</u> |
|-------------------|-----------------|--|
| 1 | | Literature Parts Installation Instructions |
| | W10200890 | English/French |
| | W10200891 | Spanish |
| | | Use & Care Guide |
| | W10200828 | English/French |
| | W10200829 | Spanish |
| | | Feature Sheet |
| | W10200856 | English/French |
| | W10200857 | Spanish |
| | W10062904 | Energy Guide |
| | W10248227 | Wiring Diagram |
| | W10196538 | Load Sense Info Sheet |

Following May Be Purchased

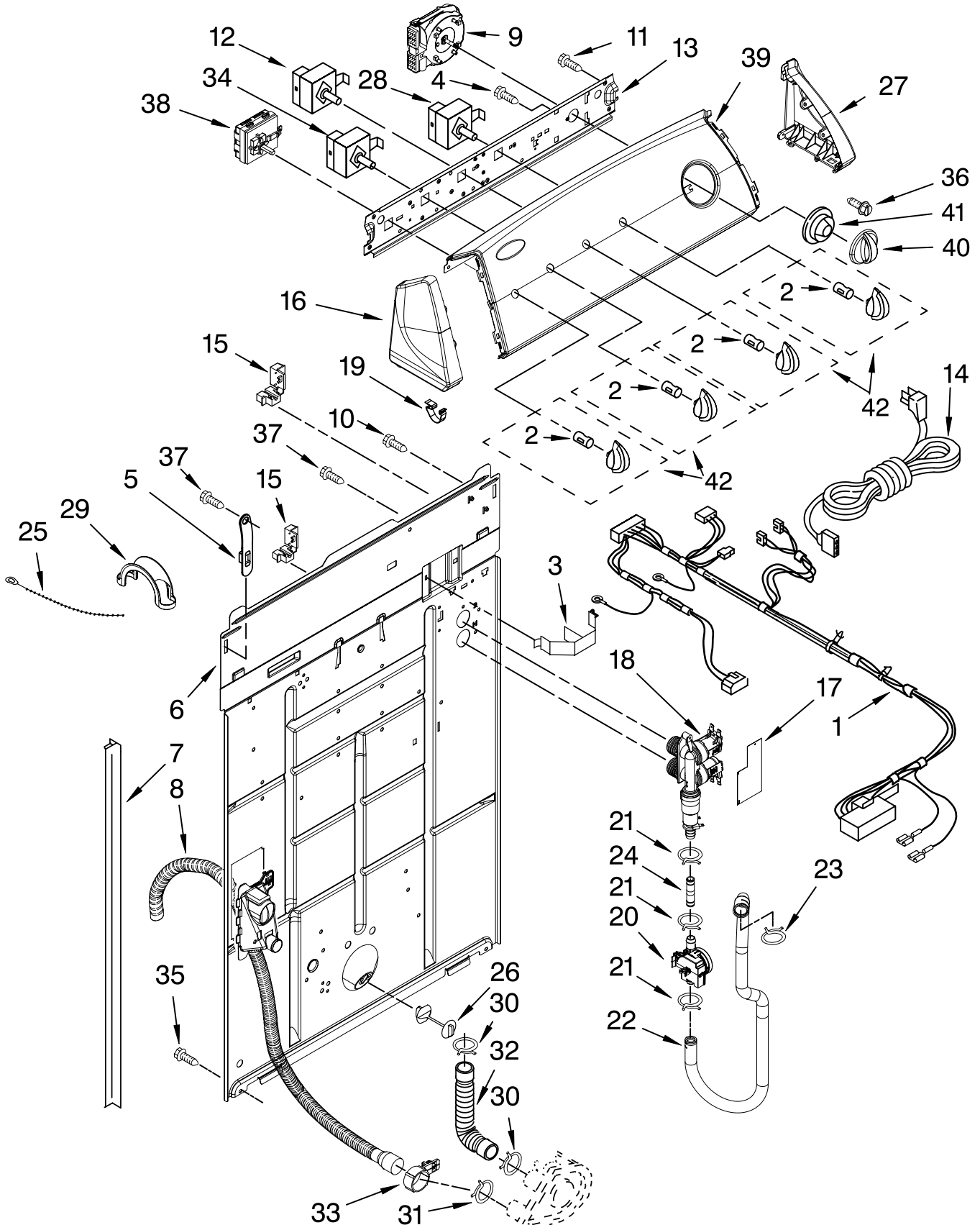
DO-IT-YOURSELF REPAIR MANUALS

| | | |
|----|-----------|---|
| | 4313896 | Manual, Washer |
| 2 | W10194572 | Top |
| 3 | 62750 | Spacer, Cabinet To Top (4) |
| 4 | W10192089 | Dispenser, Bleach |
| 5 | 63424 | Cabinet |
| 6 | 62780 | Clip, Top & Cabinet & Rear Panel (2) |
| 7 | 8318084 | Switch, Lid |
| 8 | 3351614 | Screw, Ground |
| 9 | W10171313 | Lid |
| 10 | W10225136 | Hinge, Lid (L.H.) |
| 11 | 91770 | Hinge, Lid (R.H.) |
| 12 | 9724509 | Bumper, Lid (2) |
| 13 | W10119828 | Screw, Lid Hinge Mounting (4) |
| 14 | 8319539 | Bearing, Lid Hinge (2) |
| 15 | W10165554 | Screw, 10-16 x 3/8 (4) |
| 16 | W10177046 | Cabinet-Damper, Sound |

FOR ORDERING INFORMATION REFER TO PARTS PRICE LIST

CONTROLS AND REAR PANEL PARTS

For Model: WTW58ESVW1
(White)



FOR ORDERING INFORMATION REFER TO PARTS PRICE LIST

CONTROLS AND REAR PANEL PARTS

For Model: WTW58ESVW1
(White)

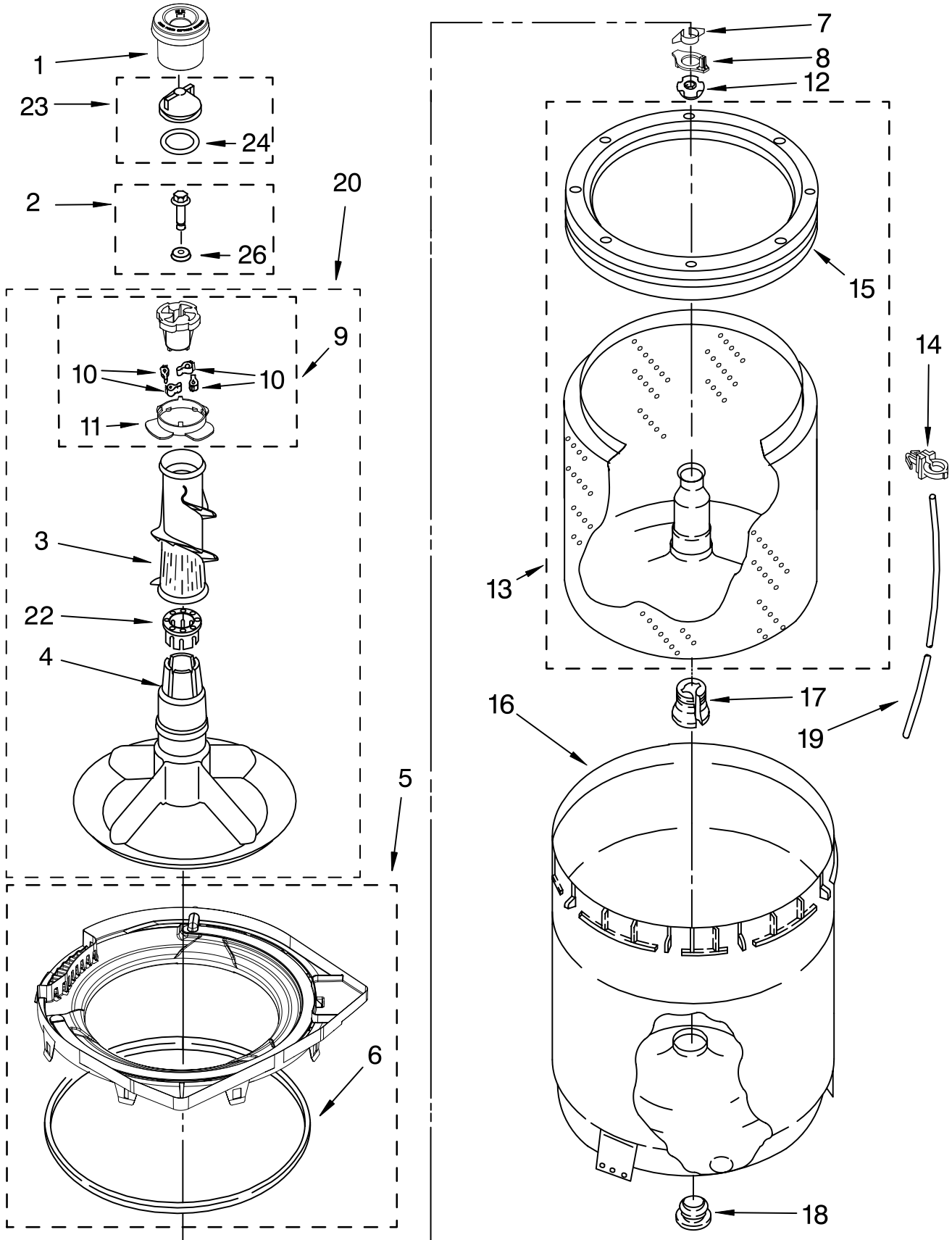
| Illus. No. | Part No. | DESCRIPTION | Illus. No. | Part No. | DESCRIPTION | Illus. No. | Part No. | DESCRIPTION |
|------------|-----------|---|------------|-----------|---------------------------------------|------------|-----------|---|
| 1 | W10244926 | Harness, Wiring (For Detail See Pages 9 & 10) | 13 | 8566003 | Bracket, Control | 27 | 8566032 | Cap, End (R.H.) (Includes Item 19) |
| 2 | 8536939 | Clip, Knob | 14 | 8578842 | Cord, Power (Includes Item 15) | 28 | W10180780 | Switch, Rotary |
| 3 | 8055003 | Clip, Harness & Pressure Hose | 15 | 3952821 | Strain Relief, Power Cord | 29 | 8577378 | U-Bend, Drain Hose |
| 4 | 3400073 | Screw, Ground | 16 | 8566035 | Cap, End (L.H.) (Includes Item 19) | 30 | 3363366 | Clamp, Hose |
| 5 | 8568314 | Strap, Console (2) | 17 | W10245838 | Shield, Suds | 31 | 8317496 | Clamp, Hose |
| 6 | W10194451 | Panel, Rear | 18 | W10175893 | Valve, Water Inlet | 32 | 3951449 | Hose, Pump To Tub (Includes Item 30) |
| 7 | 62747 | Pad, Rear Panel | 19 | 8312709 | Clip, Console | 33 | 8541668 | Clamp, Hose |
| 8 | W10189267 | Drain Hose Assembly (Includes Item 33) | 20 | W10176591 | Flowmeter | 34 | 3949180 | Switch, Rotary |
| 9 | W10177827 | Timer, Control (60 Hz.) (Motor Not A Service Part) | 21 | W10185367 | Clamp, Hose | 35 | 62863 | Screw, 10-16 x 3/8 |
| 10 | 3351614 | Screw, Ground | 22 | W10166732 | Hose, Flowmeter To Tub Ring | 36 | 3400818 | Screw, Timer Mounting |
| 11 | 90767 | Screw, 8-18 X 3/8 | 23 | W10117298 | Clamp, Hose | 37 | 9740848 | Screw, 8-18 x 1/2 |
| 12 | 3949180 | Switch, Rotary | 24 | W10166731 | Hose, Valve To Flowmeter | 38 | W10248240 | ATC-Auto Load Sensing Switch |
| | | | 25 | 3347868 | Cable Tie | 39 | W10240471 | Panel, Console |
| | | | 26 | 8519200 | Support, Rear Panel | 40 | W10034730 | Knob, Timer |
| | | | | | | 41 | 8566018 | Dial, Timer |
| | | | | | | 42 | W10034380 | Knob, Control |

FOR ORDERING INFORMATION REFER TO PARTS PRICE LIST

AGITATOR, BASKET AND TUB PARTS

For Model: WTW58ESVW1

(White)



FOR ORDERING INFORMATION REFER TO PARTS PRICE LIST

AGITATOR, BASKET AND TUB PARTS

For Model: WTW58ESVW1

(White)

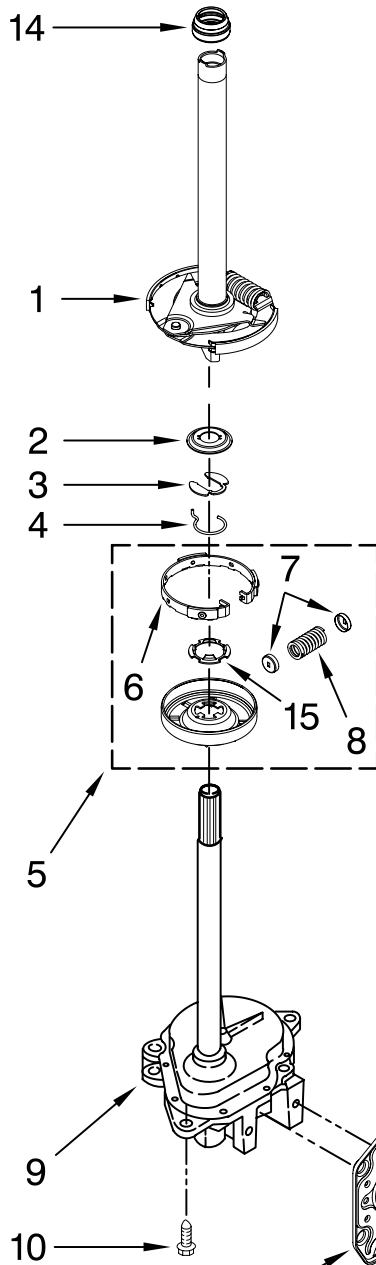
| Illus. | Part | |
|---------------|-------------|---------------------------------|
| No. | No. | DESCRIPTION |
| 1 | 8575076 | Dispenser |
| 2 | 358237 | Screw & Washer (5/16-24 x 1) |
| 3 | 3363003 | Clothes Mover |
| 4 | 3951632 | Agitator |
| 5 | W10167984 | Tub Ring & Gasket |
| 6 | 3359585 | Seal, Tub Ring |
| 7 | 3354845 | Clip, Agitator |
| 8 | 8543666 | Washer, Agitator |
| 9 | 3951682 | Cam, Driven |
| 10 | 3366877 | Dog, Agitator Clutch (4) |
| 11 | 3952374 | Bearing-Driven Cam |
| 12 | 21366 | Nut, Spanner |
| 13 | 8526016 | Basket & Balance Ring |
| 14 | 2219077 | Clip, Pressure Switch Hose |
| 15 | 387240 | Balance Ring |
| 16 | 63849 | Tub |
| 17 | 389140 | Block, Basket Drive |
| 18 | 383727 | Gasket, Centerpost |
| 19 | W10240485 | Hose, Pressure Switch |
| 20 | 3951744 | Agitator (Complete) |
| 22 | 3951608 | Spacer, Thrust |
| 23 | 3354733 | Cap, Barrier |
| 24 | W10072840 | Seal, Inner Cap |
| 26 | 3949550 | Washer |

FOR ORDERING INFORMATION REFER TO PARTS PRICE LIST

BRAKE, CLUTCH, GEARCASE, MOTOR AND PUMP PARTS

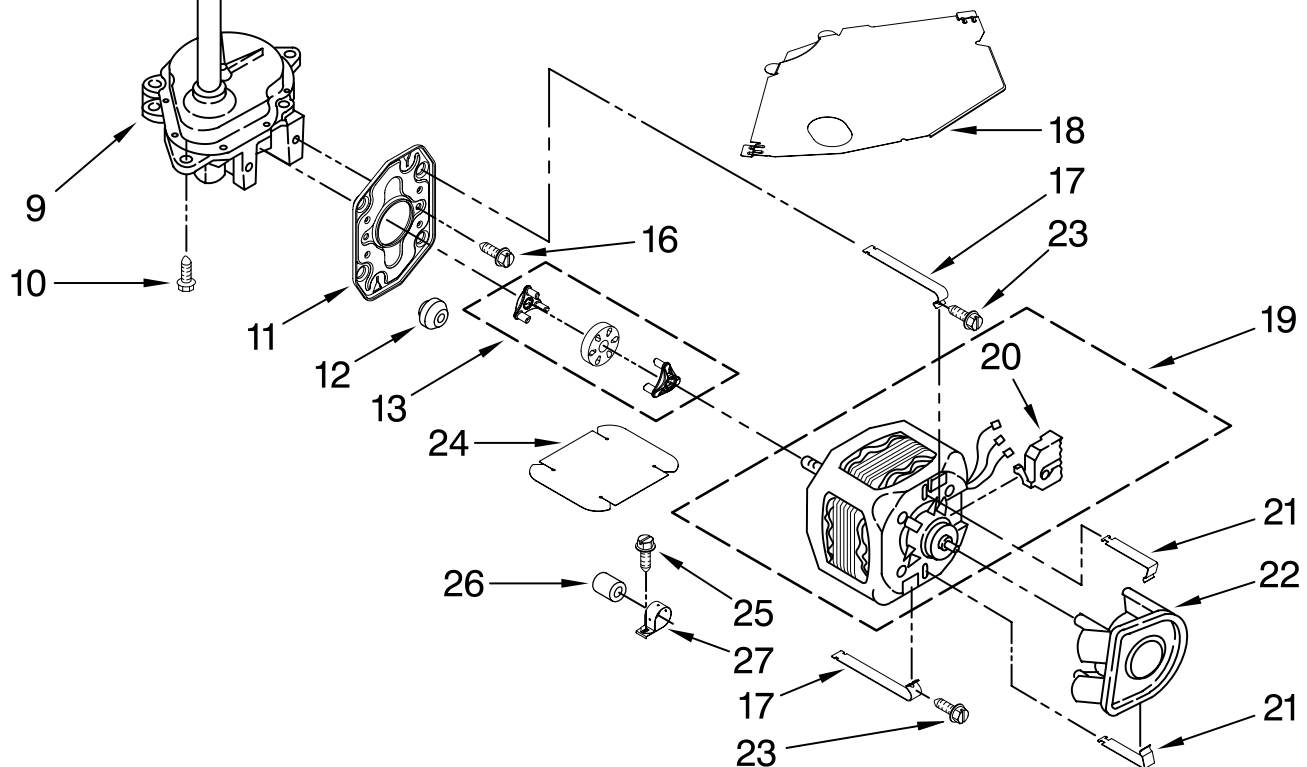
For Model: WTW58ESVW1

(White)



| Illus. No. | Part No. | DESCRIPTION |
|------------|----------|--|
| 1 | 388952 | Brake & Drive Tube (Complete) (Refer to Page 11 For Further Breakdown) |
| 2 | 63292 | Washer, Spin Tube Thrust |
| 3 | 62697 | Ring, Spin Tube Support |
| 4 | 63283 | Ring, Retainer |
| 5 | 3951311 | Clutch (Complete) |
| 6 | 3951308 | Band & Lining, Clutch (Includes Items 7 & 8) |
| 7 | 62646 | Cap, Clutch Spring (2) |
| 8 | 3946792 | Spring, Clutch |
| 9 | 3360630 | Gearcase (Complete) (Refer To Page 12 For Further Breakdown) |
| 10 | 3357334 | Screw, Gearcase To Base (3) |

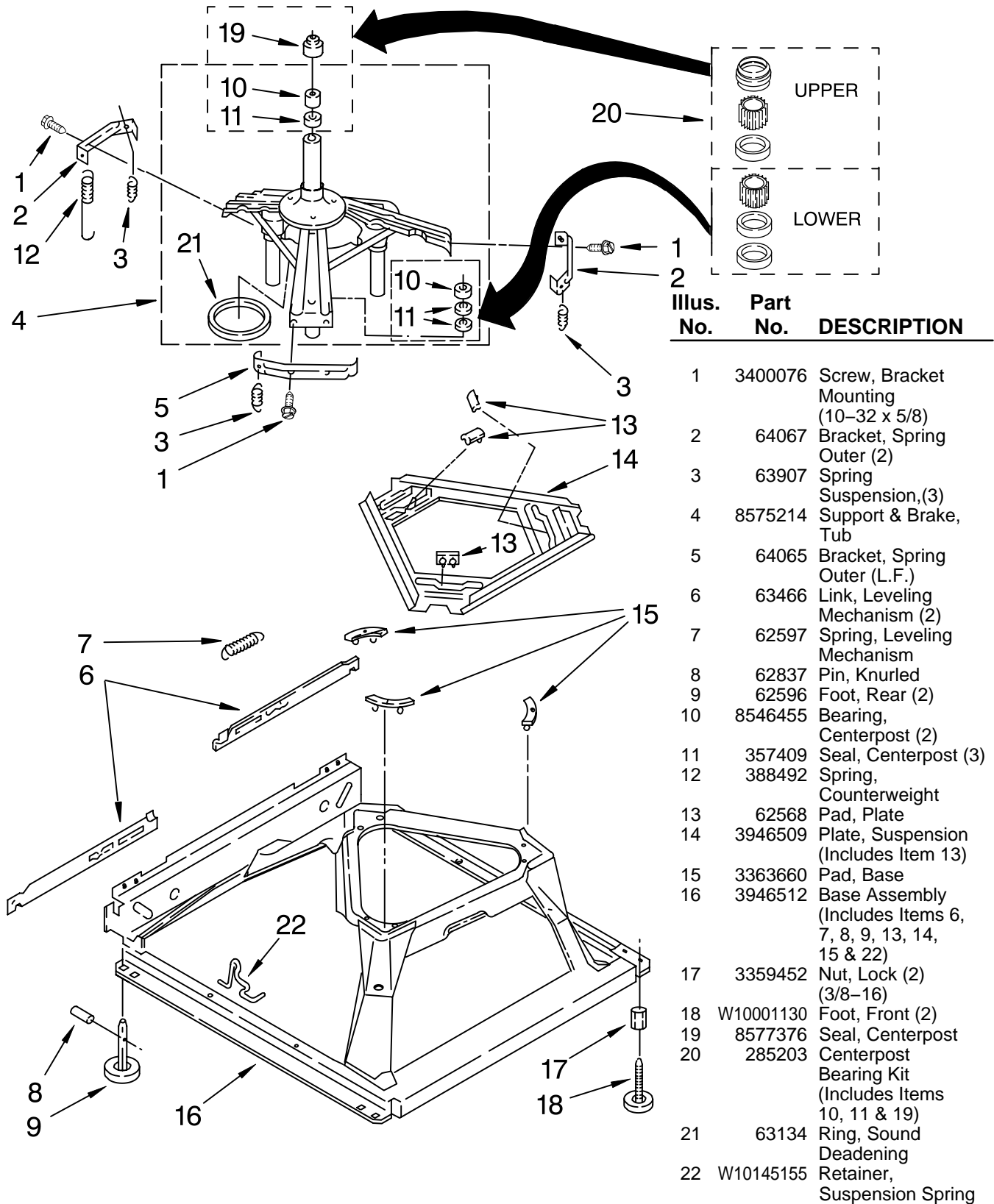
| Illus. No. | Part No. | DESCRIPTION |
|------------|-----------|--------------------------------|
| 11 | 62611 | Plate, Motor Mount To Gearcase |
| 12 | 62691 | Grommet, Motor (4) |
| 13 | 3364003 | Coupling, Motor & Isolation |
| 14 | 8577374 | Seal |
| 15 | 3355454 | Clip, Anti-Rattle |
| 16 | 3400516 | Screw |
| 17 | W10086010 | Retainer, Motor (2) |
| 18 | 3362089 | Shield, Tub To Motor |
| 19 | 661600 | Motor, Main Drive |
| 20 | 62850 | Switch, Main Drive Motor |
| 21 | 8546127 | Retainer, Pump (2) |
| 22 | 3363394 | Pump (Complete) |
| 23 | 3387485 | Screw, 10-16 x 5/8 |
| 24 | 3946532 | Shield, Motor |
| 25 | 62863 | Screw, 10-16 x 3/8 |
| 26 | 8572717 | Capacitor |
| 27 | 3949496 | Clamp, Capacitor |



FOR ORDERING INFORMATION REFER TO PARTS PRICE LIST

MACHINE BASE PARTS

For Model: WTW58ESVW1
(White)

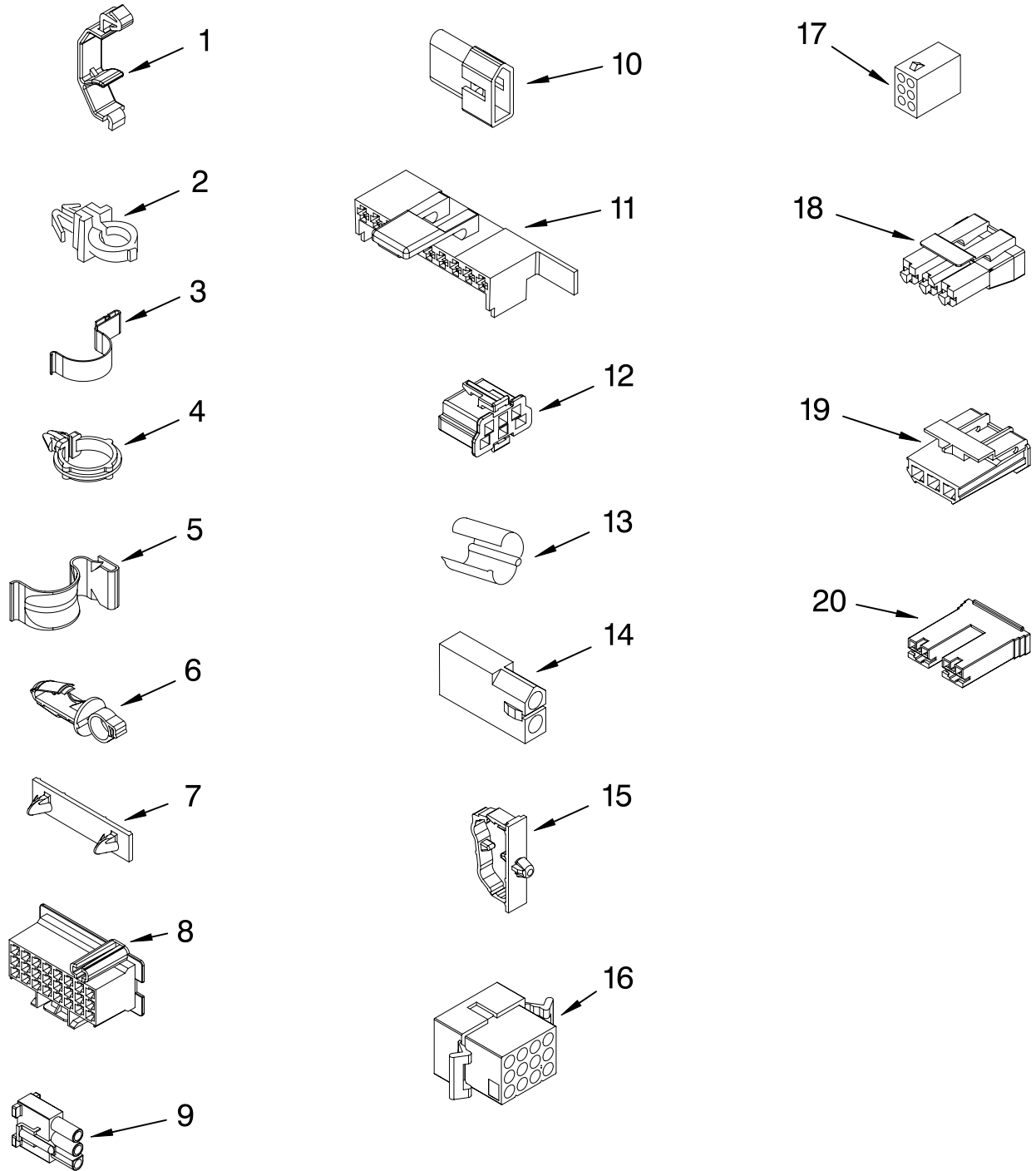


| Illus. No. | Part No. | DESCRIPTION |
|------------|-----------|--|
| 1 | 3400076 | Screw, Bracket Mounting (10-32 x 5/8) |
| 2 | 64067 | Bracket, Spring Outer (2) |
| 3 | 63907 | Spring Suspension,(3) |
| 4 | 8575214 | Support & Brake, Tub |
| 5 | 64065 | Bracket, Spring Outer (L.F.) |
| 6 | 63466 | Link, Leveling Mechanism (2) |
| 7 | 62597 | Spring, Leveling Mechanism |
| 8 | 62837 | Pin, Knurled |
| 9 | 62596 | Foot, Rear (2) |
| 10 | 8546455 | Bearing, Centerpost (2) |
| 11 | 357409 | Seal, Centerpost (3) |
| 12 | 388492 | Spring, Counterweight |
| 13 | 62568 | Pad, Plate |
| 14 | 3946509 | Plate, Suspension (Includes Item 13) |
| 15 | 3363660 | Pad, Base |
| 16 | 3946512 | Base Assembly (Includes Items 6, 7, 8, 9, 13, 14, 15 & 22) |
| 17 | 3359452 | Nut, Lock (2) (3/8-16) |
| 18 | W10001130 | Foot, Front (2) |
| 19 | 8577376 | Seal, Centerpost |
| 20 | 285203 | Centerpost Bearing Kit (Includes Items 10, 11 & 19) |
| 21 | 63134 | Ring, Sound Deadening |
| 22 | W10145155 | Retainer, Suspension Spring |

FOR ORDERING INFORMATION REFER TO PARTS PRICE LIST

WIRING HARNESS PARTS

For Model: WTW58ESVW1
(White)



WH2J

WIRING HARNESS PARTS

For Model: WTW58ESVW1
(White)

| Illus. No. | Part No. | DESCRIPTION | Illus. No. | Part No. | DESCRIPTION | Illus. No. | Part No. | DESCRIPTION |
|---------------|-------------|---------------------------------|---------------|-------------|--------------------------------------|---------------|-------------|--|
| 1 | 3349557 | Retainer, Harness | 9 | 62889 | Receptacle, Terminal (3-Way) | 16 | 3390423 | Block, Disconnect (12-Way) |
| 2 | 388498 | Clip, Harness | | | | 17 | 3347730 | Receptacle (6-Way) |
| 3 | 3347812 | Clip, Harness | 10 | 353424 | Plug, Terminal (3-Way) | 18 | 3948617 | Connector (T.P.A.) (3-Circuit) |
| 4 | 3352501 | Clip, Harness (Push-In) | 11 | 62505 | Block, Disconnect (Motor 2 Speed) | 19 | 3360056 | Plug (T.P.A) (3-Circuit) (Pressure Switch) |
| 5 | 90016 | Clip, Harness (Half-Harness) | 12 | 3347243 | Block, Disconnect | 20 | | Block, Connector |
| 6 | 3390496 | Clip, Harness | 13 | 63523 | Protector | | 3354925 | Natural |
| 7 | 389379 | Retainer, Harness | 14 | 717252 | Connector (2-Way) | | 3354926 | Red |
| 8 | | Timer, Block Disconnect | 15 | 3352944 | Clip, Harness | | | |
| | 3948614 | Natural | | | | | | |
| | 352089 | Black | | | | | | |

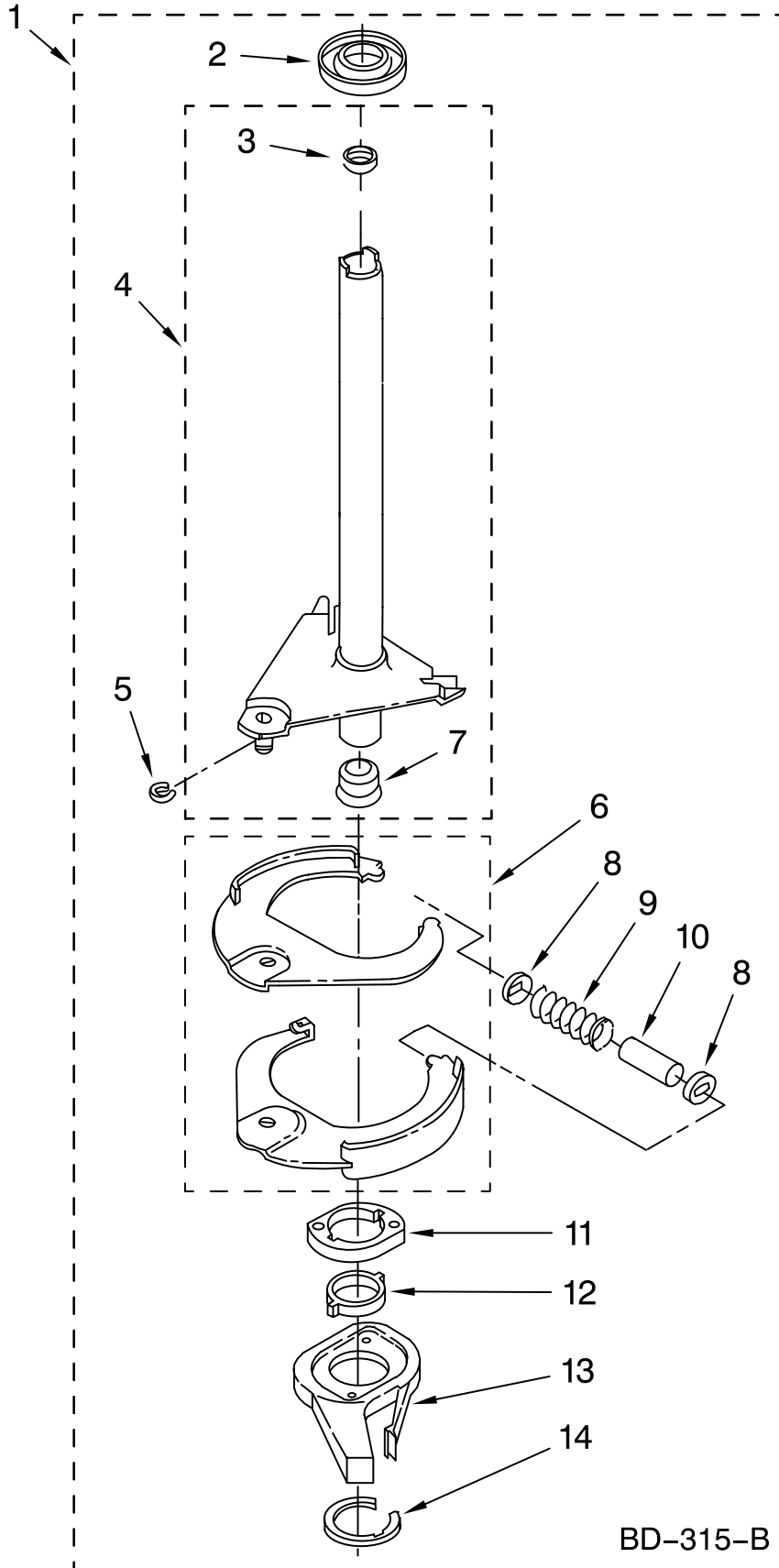
**FOR COMPLETE WIRING HARNESS REFER TO
CONTROL AND REAR PANEL PARTS PAGE**

WH2J

FOR ORDERING INFORMATION REFER TO PARTS PRICE LIST

BRAKE AND DRIVE TUBE PARTS

For Model: WTW58ESVW1
(White)



| Illus. No. | Part No. | DESCRIPTION |
|------------|----------|-------------|
|------------|----------|-------------|

| | | |
|----|---------|--|
| 1 | 388952 | Brake And Drive Tube (Complete) |
| 2 | 62658 | Ring, Thrust |
| 3 | 356427 | Seal, Drive Tube |
| 4 | 64027 | Tube, Basket Drive (Includes Illus. 3, 4, 5 & 9) |
| 5 | 64035 | Ring, Retaining |
| 6 | 64232 | Shoe, Brake (2) |
| 7 | 62703 | "T" Bearing, Spin Tube |
| 8 | 3353956 | Cap, Brake Spring (2) |
| 9 | 387806 | Spring, Brake |
| 10 | 3355360 | Sleeve, Brake Spring |
| 11 | 661516 | Cam, Brake Release |
| 12 | 63022 | Sleeve, Cam |
| 13 | 64194 | Driver, Brake Cam |
| 14 | 90368 | Ring, Retaining |

FOLLOWING PARTS
NOT ILLUSTRATED

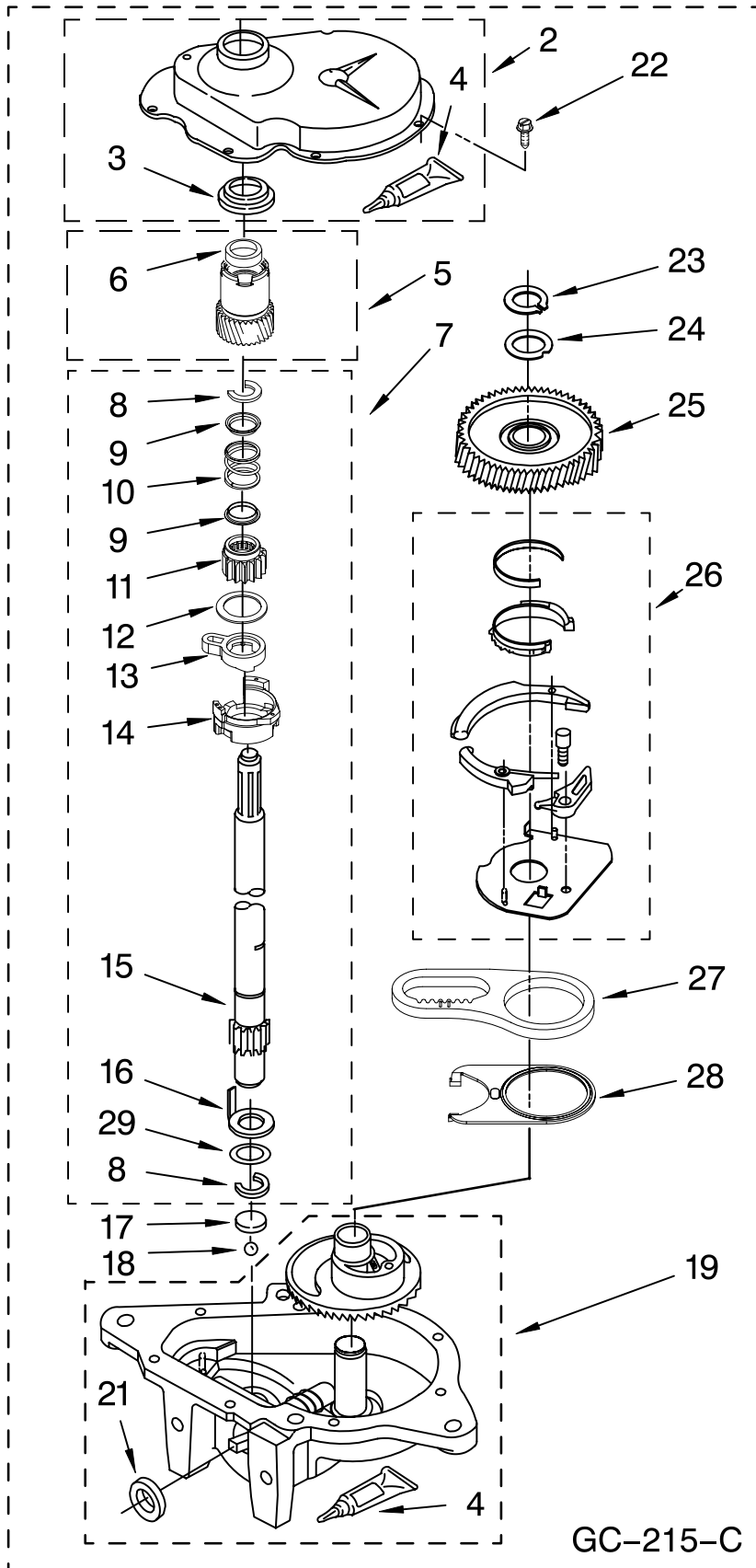
285208 Lubricant
(Use Only In Brake Shoe Assembly On Roller & Pin)

BD-315-B

FOR ORDERING INFORMATION REFER TO PARTS PRICE LIST

GEARCASE PARTS

For Model: WTW58ESVW1
(White)



| Illus. No. | Part No. | DESCRIPTION |
|------------|----------|---|
| 1 | 3360630 | Gearcase (Complete) |
| 2 | 285202 | Cover, Gearcase |
| 3 | 3349985 | Seal, Gearcase Cover |
| 4 | 285195 | Sealer, Gasket (.20 Fl. Oz.) (6 ml) |
| 5 | 63320 | Pinion, Spin (Includes Illus. 25) |
| 6 | 356427 | Seal, Spin Pinion |
| 7 | 389387 | Shaft, Agitator (Complete) |
| 8 | 90369 | Ring, Retaining (2) |
| 9 | 62677 | Retainer, Spring |
| 10 | 62676 | Spring, Agitate |
| 11 | 63273 | Gear, Agitate (Includes 15 and 29) |
| 12 | 62619 | Washer, Agitate Gear |
| 13 | 62580 | Cam Follower (Includes 14) |
| 14 | 62581 | Cam, Agitate (Includes 13) |
| 15 | 285509 | Shaft, Agitator (Includes 11 and 29) |
| 16 | 62618 | Washer, Cam Thrust |
| 17 | 16018 | Bearing, Thrust |
| 18 | 85529 | Ball, Bearing |
| 19 | 389230 | Bottom and Pinion, Gearcase |
| 21 | 285352 | Seal, Thrust Plug |
| 22 | 3351614 | Screw, Gearcase Cover, Mounting (8) (10-24 x 3/8) |
| 23 | 3362552 | Ring, Retaining |
| 24 | 285735 | Washer Kit, Thrust |
| 25 | 62570 | Gear, Spin |
| 26 | 388253 | Neutral Assembly |
| 27 | 3349296 | Rack, Connecting |
| 28 | 62621 | Actuator, Shift |
| 29 | 388815 | Washer, Intermediate |

GC-215-C

FOR ORDERING INFORMATION REFER TO PARTS PRICE LIST

Free Manuals Download Website

<http://myh66.com>

<http://usermanuals.us>

<http://www.somanuals.com>

<http://www.4manuals.cc>

<http://www.manual-lib.com>

<http://www.404manual.com>

<http://www.luxmanual.com>

<http://aubethermostatmanual.com>

Golf course search by state

<http://golfingnear.com>

Email search by domain

<http://emailbydomain.com>

Auto manuals search

<http://auto.somanuals.com>

TV manuals search

<http://tv.somanuals.com>