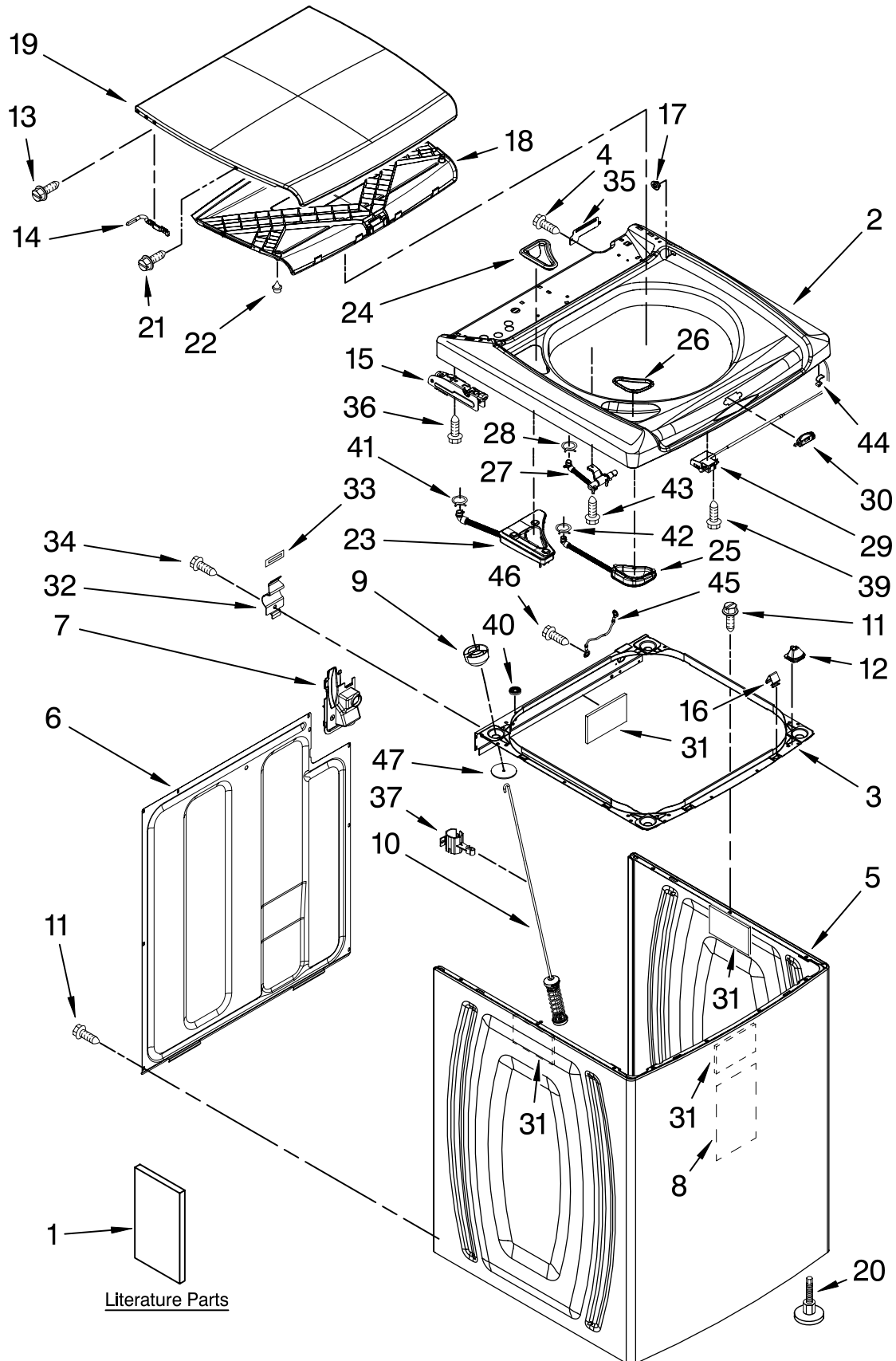




# TOP AND CABINET PARTS

AUTOMATIC WASHER

For Model: WTW6200SW0  
(White)



Literature Parts

FOR ORDERING INFORMATION REFER TO PARTS PRICE LIST

# TOP AND CABINET PARTS

For Model: WTW6200SW0  
(White)

Illus. No.	Part No.	DESCRIPTION	Illus. No.	Part No.	DESCRIPTION	Illus. No.	Part No.	DESCRIPTION
1		Literature Parts	13	355274	Screw, Lid Hinge Mounting (4)	26	8576772	Bezel, Detergent Dispenser
	8566930	Use & Care Guide						
	8567037	Tech Sheet	14	8576780	Hinge Arm, Lid (2)	27	8543779	Nozzle Assembly, Fresh Water
	8566927	Quick Start Guide	15		Hinge, Spring Assembly (Steel Lid)	28	371503	Clamp, Hose
	8577781	Wiring Diagram		8563958	(Left)	29	W10059230	Lock Assembly, Lid
	8567167	Energy Guide		8563959	(Right)	30	8572019	Bezel, Lid Lock
2	8565317	Top	16	8563785	Lock, Top-Front (2)	31	8564458	Absorber, Impact
3	8576639	Frame Assembly, Cabinet Top (Includes Item 31)	17	W10052730	Bearing, Lid Hinge (2)	32	8564456	Hinge, Top (2)
4	3390647	Screw, 8-18 X 1/2	18	8577353	Lid-Inner (Includes Item 22)	33	18849	Pad, Top Hinge (2)
5	8566156	Cabinet	19	8572894	Lid	34	343641	Screw, 10-16 x 1/2 (2)
6	8566090	Panel, Rear	20	8578826	Foot Assembly, Leveling (4)	35	8563941	Cover, Harness
7	8543781	Retainer, Drain Hose Storage	21	W10076920	Screw (2)	36	693995	Screw, 8-18 x 3/8
8	8576784	Sound Absorber, Cabinet	22	W10076780	Bumper, Lid (2)	37	8543784	Bracket, Drain Hose
9	8576475	Ball, Suspension (4)	23	W10059160	Dispenser, Bleach	39	8281136	Screw, 10-16 x 3/4
10	8564009	Damper Assembly, Tub Suspension (Set Of 4)	24	8566211	Bezel, Bleach Dispenser	40	8576476	Spacer, Rear (Cabinet/Top)
11	1157158	Screw, 8-18 x 3/8	25	8564976	Dispenser, Detergent	41	370451	Clamp, Hose
12	8563602	Locator, Top (2)				42	371503	Clamp, Hose
						43	3400061	Screw, 10-16 x 9/16
						44	90016	Clip, Harness (5)
						45	8281736	Wire, Ground Jumper
						46	3400076	Screw, 10-32 x 5/8
						47	8577896	Washer, Suspension Umbrella

FOR ORDERING INFORMATION REFER TO PARTS PRICE LIST



# CONTROL PANEL PARTS

For Model: WTW6200SW0

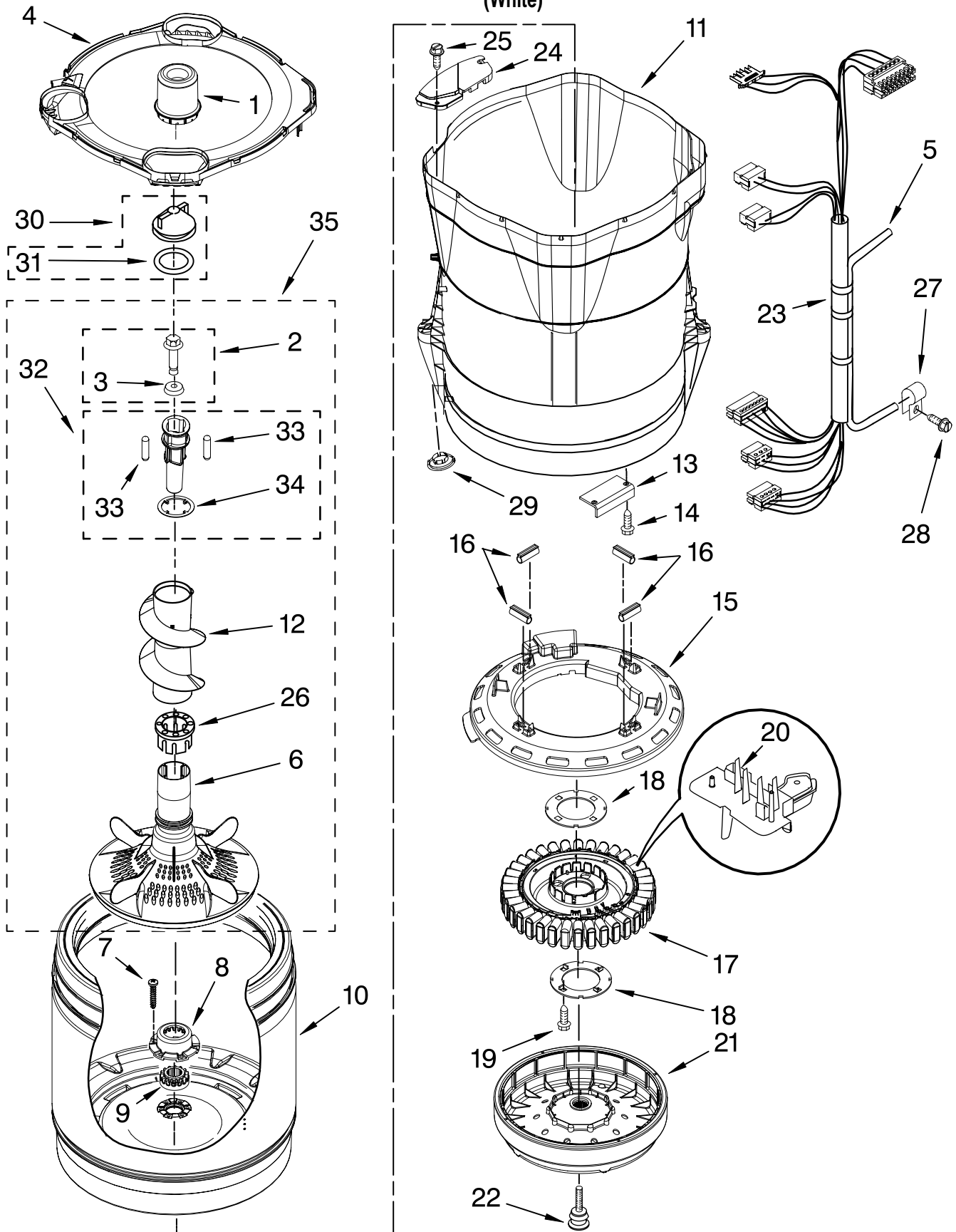
(White)

<b>Illus. No.</b>	<b>Part No.</b>	<b>DESCRIPTION</b>
1	W10104830	Control Unit Assembly, Machine & Motor
2	8565260	Gasket, Valve Tray
3	8565304	Tray Assembly, Console (Includes Items 2 & 4)
4	8565259	Gasket, Console/Tray
5	W10059310	Valve, Log Assembly
6	8574885	Knob, Control
7	8564288	User Interface
8	W10004990	Screw, 6-20 x 1.2
9	W10070010	Console
10	8564265	Cover, Rear-User Interface
11	W10003770	Screw, 6-19 x 1/2 (3)
12	W10022060	Nut, Push-In (3)
13	W10045090	Harness, Upper
14	8565324	Screw, 10-16 x 1.75
15	8281136	Screw, 8-18 x 3/4
16	3407203	Cord Assembly, Power
17	98460	Nut, Push-In (2)
18	3976300	Washer, Water Inlet Hose (1-1/16 x 5/8)(4)
19		Hose, Water Inlet
	8571377	Blue Coupler
	8571378	Red Coupler
20	488649	Screw, Power Cord Ground
21	3407187	Harness, Thermistor

FOR ORDERING INFORMATION REFER TO PARTS PRICE LIST

# MOTOR, BASKET AND TUB PARTS

For Model: WTW6200SW0  
(White)



FOR ORDERING INFORMATION REFER TO PARTS PRICE LIST

# MOTOR, BASKET AND TUB PARTS

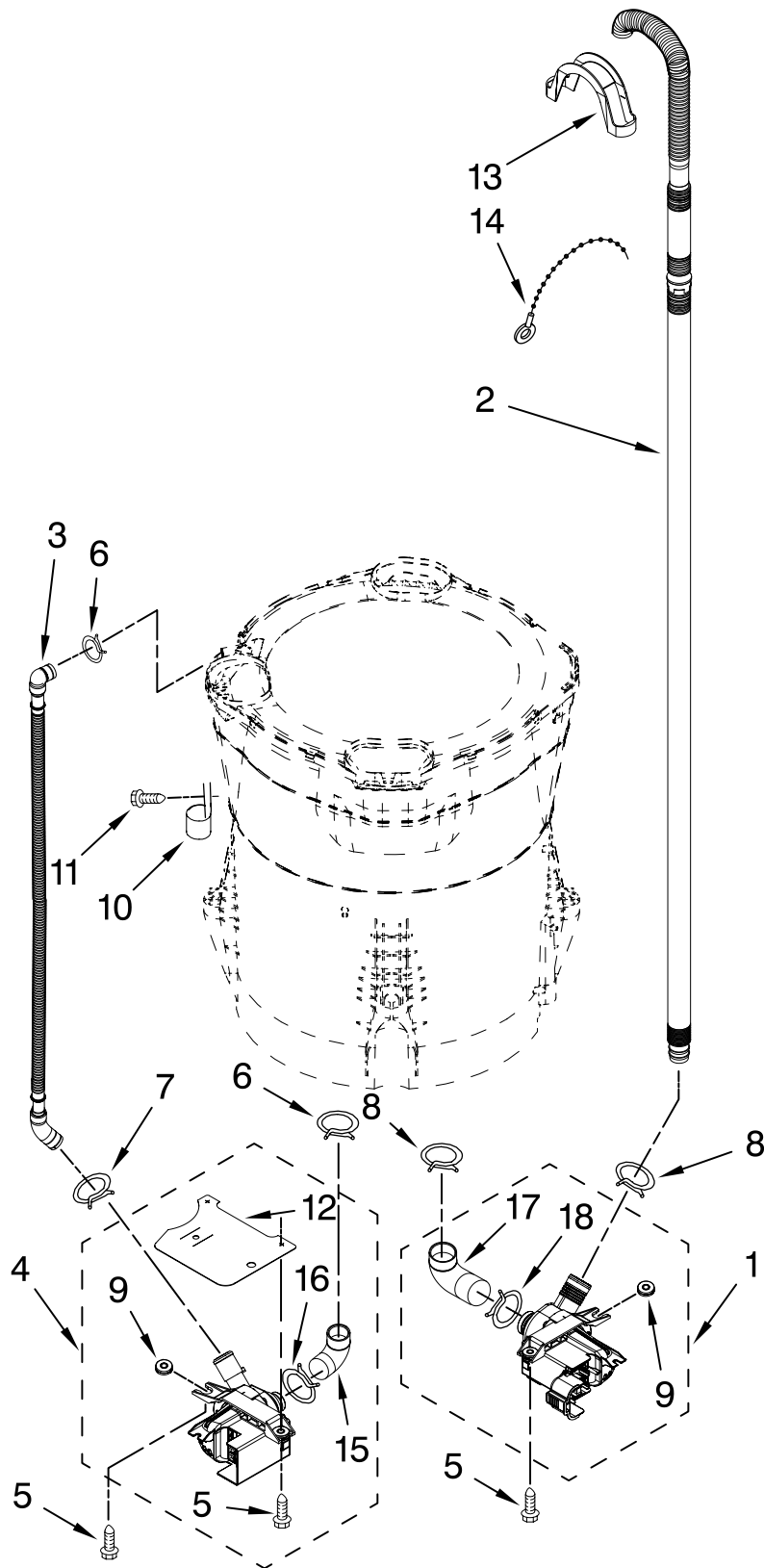
For Model: WTW6200SW0  
(White)

Illus. No.	Part No.	DESCRIPTION	Illus. No.	Part No.	DESCRIPTION	Illus. No.	Part No.	DESCRIPTION
1	8566491	Dispenser, Fabric Softener	13	8542674	Weight, Tub Counterbalance	23	W10058730	Harness, Lower (Includes Item 5)
2	W10076270	Screw & Washer Assembly	14	W10004910	Screw, 12-16 x 1-1/4 (2)	24	8566197	Filter, Dual Pump Hood
3	W10076260	Washer	15	8557839	Shield, Drive Motor (Includes Item 16)	25	8533928	Screw, 8-18 x 3/4 (2)
4	8542636	Tub Ring	16	8565172	Tube, Buffer (Set Of 4)	26	8566279	Spacer-Thrust
5	8572540	Hose Pressure Switch	17	8565170	Stator, Motor (Includes Item 18)	27	W10005430	Clamp, Pressure Hose Retainer
6	W10076190	Agitator	18	8557836	Plate, Stator (Set Of 2)	28	8533957	Screw, 10-16 x 1/2
7	8533953	Screw, 8-16 x 1.000 (6)	19	W10076010	Screw, 1/4-20 x .968 (4)	29	8564017	Cup, Suspension (4)
8	8545948	Hub, Basket-Driven (Includes Item 9)	20	8565188	RPS Assembly	30	W10074580	Cap, Barrier
9	8545953	Hub, Basket-Driver (Includes Item 8)	21	8565177	Rotor, Main Drive Motor (Includes Item 22)	31	W10072840	Seal, Inner Cap
10	8545875	Basket Assembly (Includes Items 7, 8, & 9)	22		Bolt, Rotor Assembly Non-Serviceable (Supplied W/Rotor)	32	W10076210	Cam, Agitator
11	8572660	Tub & Drive Shaft Assembly				33	8558884	Roller, Agitator Cam (Set of 4)
12	8577284	Auger, Agitator				34	8578563	Spacer, Thrust-Cam
						35	W10076310	Agitator, Assembly (Complete)

FOR ORDERING INFORMATION REFER TO PARTS PRICE LIST

# PUMP PARTS

For Model: WTW6200SW0  
(White)



Illus. No.	Part No.	DESCRIPTION
1	W10049390	Pump Assembly, Drain
2	8571715	Hose, Drain
3	8543774	Hose, Recirc
4	8578573	Pump Assembly, Recirc
5	8534063	Screw, 10-14 x 1.000
6	370449	Clamp, Hose
7	8269146	Clamp, Hose
8	8317496	Clamp, Hose
9	8182771	Grommet, Pump Mounting (4)
10	8534021	Clamp, Recirc Hose Retainer
11	8533943	Screw, 10-16 x 3/4
12	8578572	Shield, Recirc Pump
13	8576642	Retainer, Drain Hose
14	3347868	Cable Tie
15	8182769	Hose, Recirc Pump
16	8182770	Clamp, Recirc Pump Hose
17	8182767	Hose, Drain Pump
18	8182768	Clamp, Drain Pump Hose

FOR ORDERING INFORMATION REFER TO PARTS PRICE LIST

# OPTIONAL PARTS (NOT INCLUDED)

For Model: WTW6200SW0  
(White)

<b>Illus. No.</b>	<b>Part No.</b>	<b>DESCRIPTION</b>
-------------------	-----------------	--------------------

## PAINT, TOUCH-UP (1/2oz.)

72017 White

## PAINT, PRESSURIZED SPRAY (12 oz.)

350938 Primer, Gray  
350930 White

## PAINT, BULK (1 qt.)

799344 White (Uncut)

## WATER SYSTEM PARTS

285442 Connector Kit,  
Plastic Drain  
Hose  
285321 Sleeve Kit,  
(Contains 2  
Sleeves)  
285320 Siphon Break Kit  
367031 Drain Protector

## SEALER

285195 Sealer, Gasket  
(.20 Fl. Oz.) (6 ml)

## COUPLING

384496 Coupling, Hose

FOR ORDERING INFORMATION REFER TO PARTS PRICE LIST



## Free Manuals Download Website

<http://myh66.com>

<http://usermanuals.us>

<http://www.somanuals.com>

<http://www.4manuals.cc>

<http://www.manual-lib.com>

<http://www.404manual.com>

<http://www.luxmanual.com>

<http://aubethermostatmanual.com>

Golf course search by state

<http://golfingnear.com>

Email search by domain

<http://emailbydomain.com>

Auto manuals search

<http://auto.somanuals.com>

TV manuals search

<http://tv.somanuals.com>