

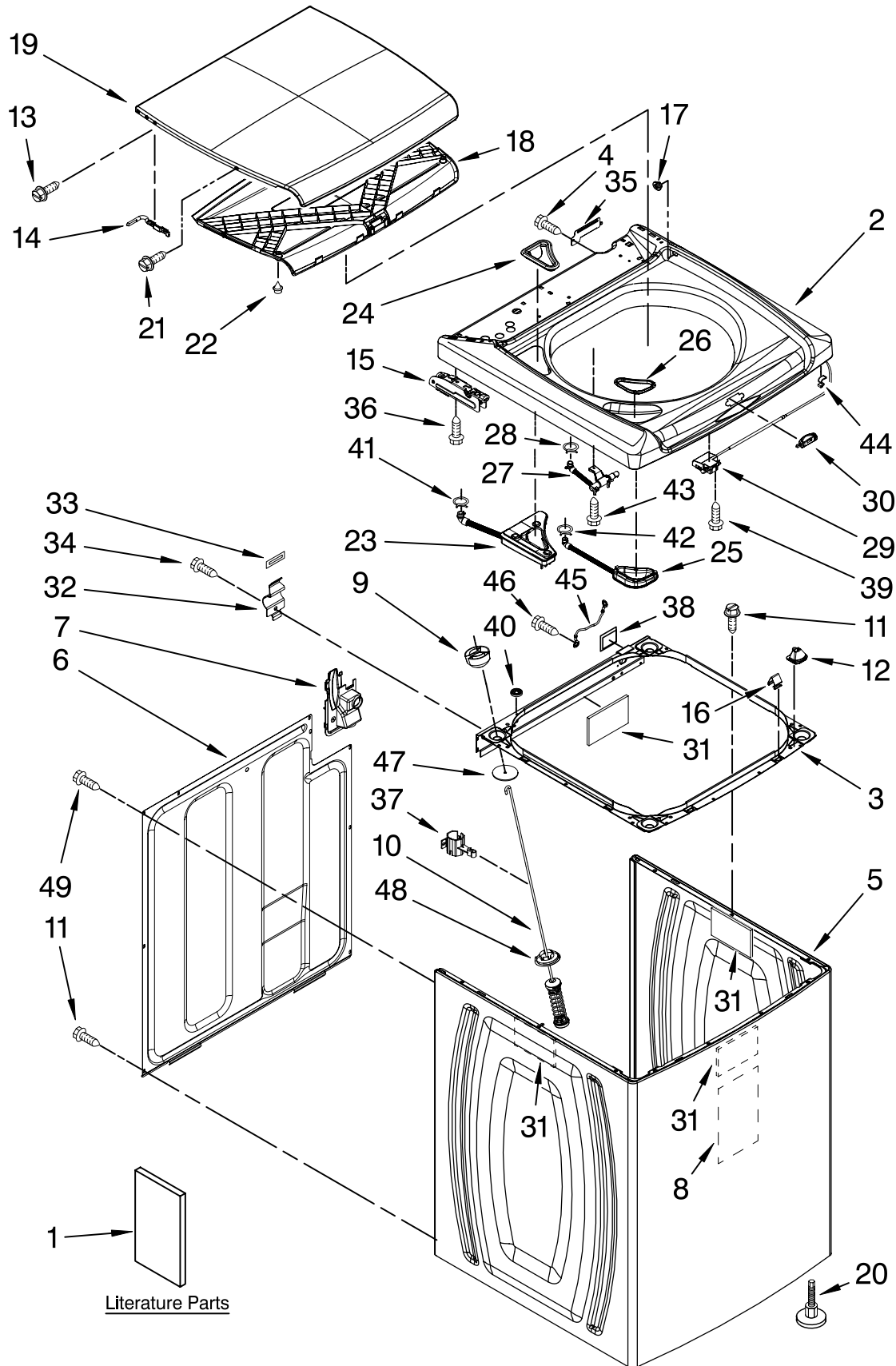


TOP AND CABINET PARTS

For Model: WTW6200SW1

(White)

AUTOMATIC WASHER



Literature Parts

FOR ORDERING INFORMATION REFER TO PARTS PRICE LIST

TOP AND CABINET PARTS

For Model: WTW6200SW1

(White)

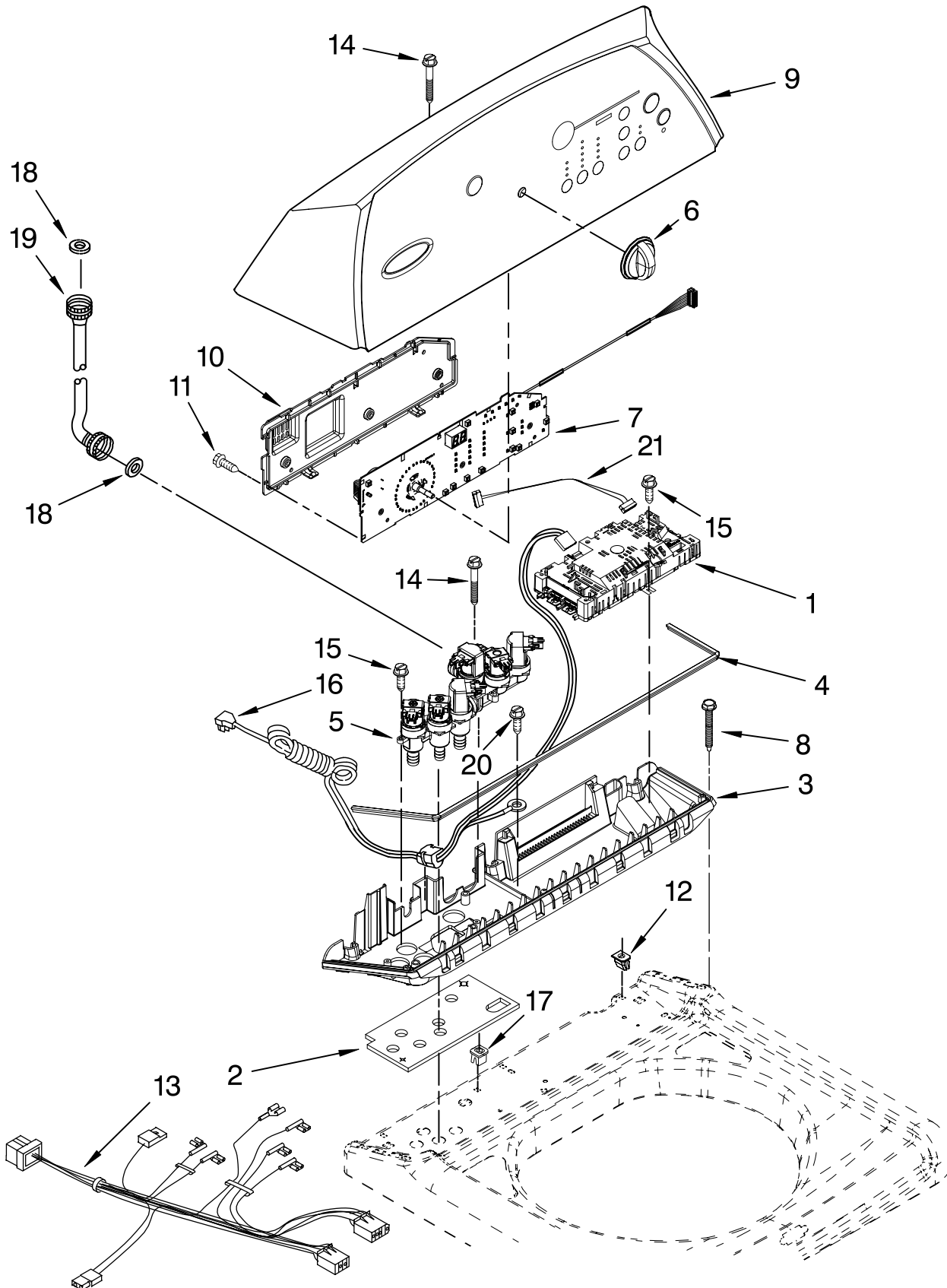
| Illus. No. | Part No. | DESCRIPTION | Illus. No. | Part No. | DESCRIPTION | Illus. No. | Part No. | DESCRIPTION |
|------------|-----------|--------------------|------------|-----------|--------------------|------------|-----------|--------------------|
| 1 | | Literature Parts | 13 | 355274 | Screw, Lid | 29 | W10059230 | Lock Assembly, Lid |
| | 8566930 | Use & Care Guide | | | Hinge | 30 | 8572019 | Bezel, Lid Lock |
| | W10026571 | Tech Sheet | | | Mounting (4) | 31 | 8564458 | Absorber, Impact |
| | 8566927 | Quick Start Guide | 14 | 8576780 | Hinge Arm, Lid (2) | 32 | 8564456 | Hinge, Top (2) |
| | 8577781 | Wiring Diagram | 15 | | Hinge, Spring | 33 | 18849 | Pad, Top Hinge (2) |
| | 8567167 | Energy Guide | | | Assembly | 34 | 343641 | Screw, |
| | | | | | (Steel Lid) | | | 10-16 x 1/2 (2) |
| | | | | 8563958 | (Left) | 35 | 8563941 | Cover, Harness |
| | | | | 8563959 | (Right) | 36 | 693995 | Screw, 8-18 x 3/8 |
| 2 | 8565317 | Top | 16 | 8563785 | Lock, Top- | 37 | 8543784 | Bracket, |
| 3 | W10114656 | Frame Assembly, | | | Front (2) | | | Drain Hose |
| | | Cabinet Top | 17 | W10052730 | Bearing, Lid | 38 | 8578386 | Shield, Wire |
| | | (Includes | | | Hinge (2) | | | Harness |
| | | Items 31 & 38) | 18 | 8577353 | Lid-Inner | 39 | 8281136 | Screw, 10-16 x 3/4 |
| 4 | 3390647 | Screw, 8-18 X 1/2 | | | (Includes Item 22) | 40 | 8576476 | Spacer, Rear |
| 5 | 8566156 | Cabinet | 19 | 8572894 | Lid | | | (Cabinet/Top) |
| 6 | 8566090 | Panel, Rear | 20 | 8578826 | Foot Assembly, | 41 | 370451 | Clamp, Hose |
| 7 | 8543781 | Retainer, Drain | | | Leveling (4) | 42 | 371503 | Clamp, Hose |
| | | Hose Storage | 21 | W10076920 | Screw (2) | 43 | 3400061 | Screw, |
| 8 | 8576784 | Sound Absorber, | 22 | W10076780 | Bumper, Lid (2) | | | 10-16 x 9/16 |
| | | Cabinet | 23 | W10059160 | Dispenser, Bleach | 44 | 90016 | Clip, Harness (5) |
| 9 | W10111536 | Ball, | 24 | 8566211 | Bezel, Bleach | 45 | 8281736 | Wire, |
| | | Suspension (4) | | | Dispenser | | | Ground Jumper |
| 10 | 8564009 | Damper Assembly, | 25 | 8564976 | Dispenser, | 46 | 3400076 | Screw, 10-32 x 5/8 |
| | | Tub Suspension | | | Detergent | 47 | 8577896 | Washer, Suspension |
| | | (Set Of 4-Includes | 26 | 8576772 | Bezel, Detergent | | | Umbrella (4) |
| | | Items 47 & 48) | | | Dispenser | 48 | 8564017 | Cup, |
| 11 | 1157158 | Screw, 8-18 x 3/8 | 27 | W10106990 | Nozzle Assembly, | | | Suspension (4) |
| 12 | W10042120 | Locator, Top (2) | | | Fresh Water | 49 | 489290 | Screw, 8-18 x 1/2 |
| | | | 28 | 371503 | Clamp, Hose | | | |

FOR ORDERING INFORMATION REFER TO PARTS PRICE LIST

CONTROL PANEL PARTS

For Model: WTW6200SW1

(White)



FOR ORDERING INFORMATION REFER TO PARTS PRICE LIST

CONTROL PANEL PARTS

For Model: WTW6200SW1

(White)

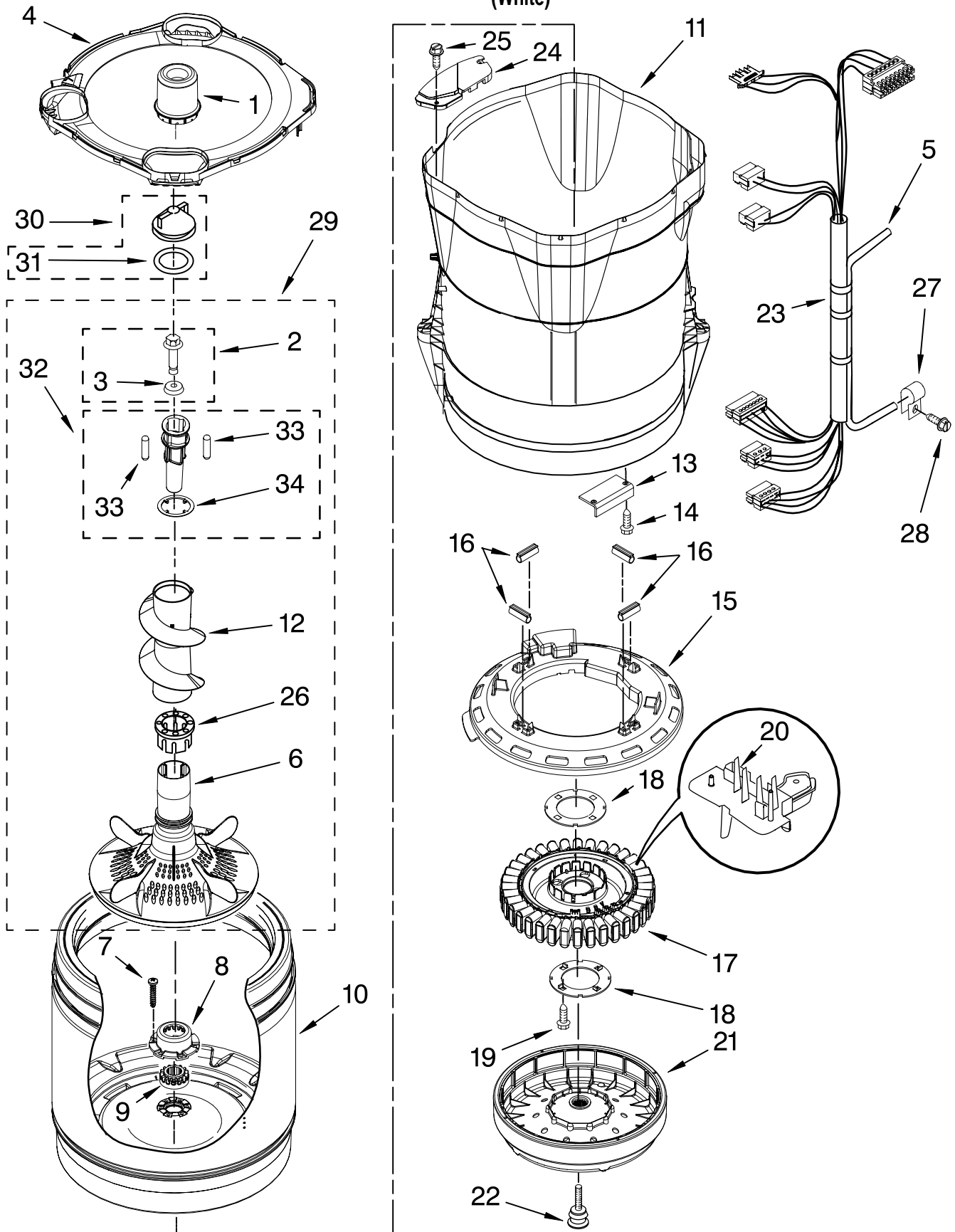
| Illus. No. | Part No. | DESCRIPTION |
|-------------------|-----------------|---|
| 1 | W10112112 | Control Unit Assembly, Machine & Motor |
| 2 | 8565260 | Gasket, Valve Tray |
| 3 | 8565304 | Tray Assembly, Console (Includes Items 2 & 4) |
| 4 | 8565259 | Gasket, Console/Tray |
| 5 | W10059310 | Valve, Log Assembly |
| 6 | 8574957 | Knob, Control |
| 7 | 8564288 | User Interface |
| 8 | W10004990 | Screw, 6-20 x 1.2 |
| 9 | W10070010 | Console |
| 10 | 8564265 | Cover, Rear-User Interface |
| 11 | W10003770 | Screw, 6-19 x 1/2 (3) |
| 12 | W10022060 | Nut, Push-In (3) |
| 13 | W10045090 | Harness, Upper |
| 14 | 8565324 | Screw, 10-16 x 1.75 |
| 15 | 8281136 | Screw, 8-18 x 3/4 |
| 16 | 3407203 | Cord Assembly, Power |
| 17 | 98460 | Nut, Push-In (2) |
| 18 | 3976300 | Washer, Water Inlet Hose (1-1/16 x 5/8)(4) |
| 19 | | Hose, Water Inlet |
| | 8571377 | Blue Coupler |
| | 8571378 | Red Coupler |
| 20 | 488649 | Screw, Power Cord Ground |
| 21 | 3407187 | Harness, Thermistor |

FOR ORDERING INFORMATION REFER TO PARTS PRICE LIST

MOTOR, BASKET AND TUB PARTS

For Model: WTW6200SW1

(White)



FOR ORDERING INFORMATION REFER TO PARTS PRICE LIST

MOTOR, BASKET AND TUB PARTS

For Model: WTW6200SW1

(White)

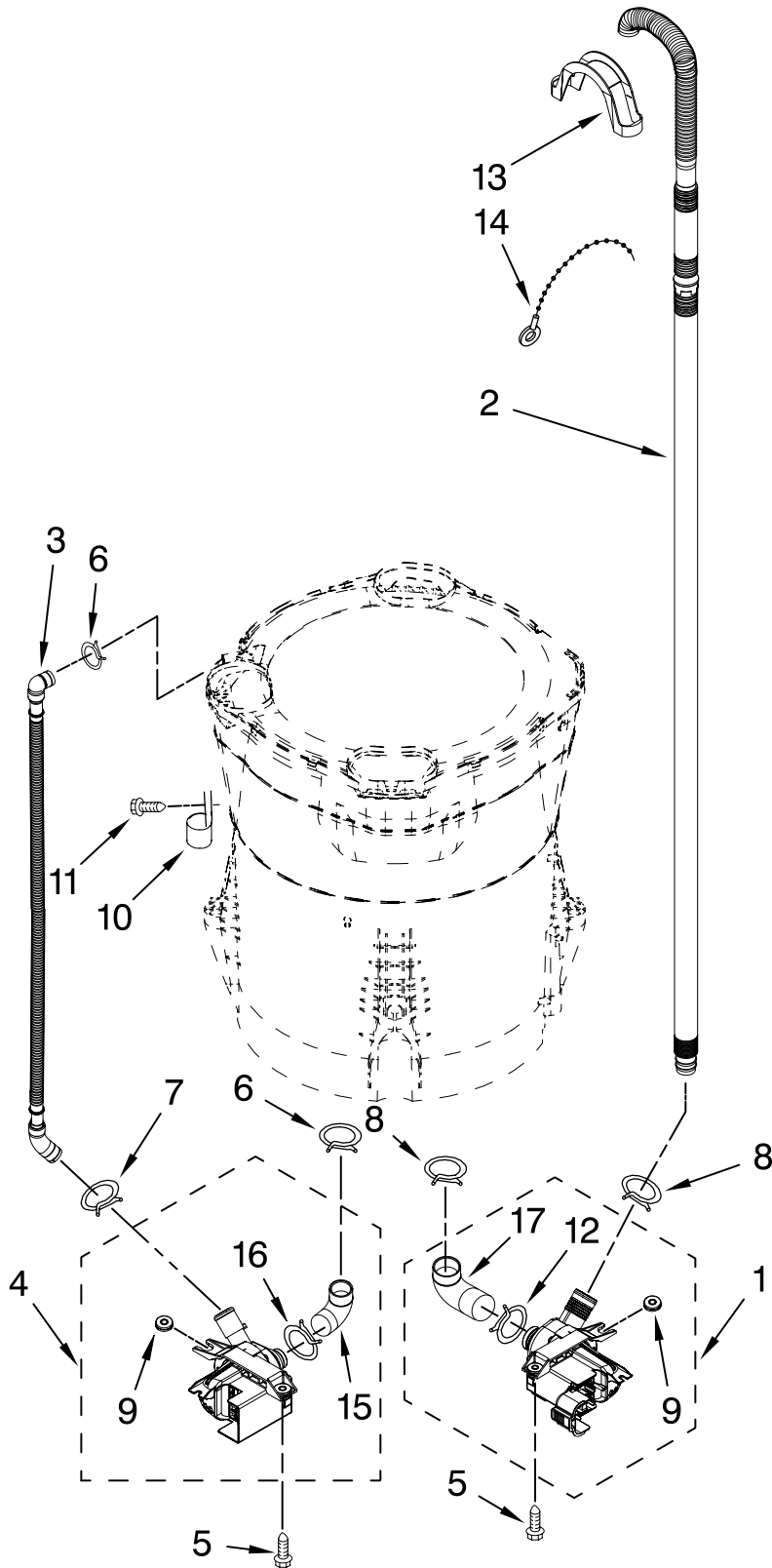
| Illus. No. | Part No. | DESCRIPTION | Illus. No. | Part No. | DESCRIPTION | Illus. No. | Part No. | DESCRIPTION |
|------------|-----------|--|------------|-----------|---|------------|-----------|----------------------------------|
| 1 | 8566491 | Dispenser, Fabric Softener | 13 | 8542674 | Weight, Tub Counterbalance | 23 | W10058730 | Harness, Lower (Includes Item 5) |
| 2 | W10076270 | Screw & Washer Assembly | 14 | W10004910 | Screw, 12-16 x 1-1/4 (2) | 24 | 8566197 | Filter, Dual Pump Hood |
| 3 | W10076260 | Washer | 15 | 8557839 | Shield, Drive Motor (Includes Item 16) | 25 | 8533928 | Screw, 8-18 x 3/4 (2) |
| 4 | W10108420 | Tub Ring | 16 | 8565172 | Tube, Buffer (Set Of 4) | 26 | 8566279 | Spacer-Thrust |
| 5 | 8572540 | Hose Pressure Switch | 17 | 8565170 | Stator, Motor (Includes Item 18) | 27 | W10005430 | Clamp, Pressure Hose Retainer |
| 6 | W10076190 | Agitator | 18 | 8557836 | Plate, Stator (Set Of 2) | 28 | 8533957 | Screw, 10-16 x 1/2 |
| 7 | 8533953 | Screw, 8-16 x 1.000 (6) | 19 | W10076010 | Screw, 1/4-20 x .968 (4) | 29 | W10076310 | Agitator, Assembly (Complete) |
| 8 | 8545948 | Hub, Basket-Driven (Includes Item 9) | 20 | 8565188 | RPS Assembly | 30 | W10074580 | Cap, Barrier |
| 9 | 8545953 | Hub, Basket-Driver (Includes Item 8) | 21 | 8565177 | Rotor, Main Drive Motor (Includes Item 22) | 31 | W10072840 | Seal, Inner Cap |
| 10 | 8545875 | Basket Assembly (Includes Items 7, 8, & 9) | 22 | | Bolt, Rotor Assembly Non-Serviceable (Supplied W/Rotor) | 32 | W10076210 | Cam, Agitator |
| 11 | 8572660 | Tub & Drive Shaft Assembly | | | | 33 | 8558884 | Roller, Agitator Cam (Set of 4) |
| 12 | 8577284 | Auger, Agitator | | | | 34 | 8578563 | Spacer, Thrust-Cam |

FOR ORDERING INFORMATION REFER TO PARTS PRICE LIST

PUMP PARTS

For Model: WTW6200SW1

(White)



| Illus. No. | Part No. | DESCRIPTION |
|------------|-----------|----------------------------------|
| 1 | W10049390 | Pump Assembly, Drain |
| 2 | 8571715 | Hose, Drain |
| 3 | 8543774 | Hose, Recirc |
| 4 | W10049400 | Pump Assembly, Recirc |
| 5 | 8534063 | Screw, 10-14 x 1.000 |
| 6 | 370449 | Clamp, Hose |
| 7 | 8269146 | Clamp, Hose |
| 8 | 8317496 | Clamp, Hose |
| 9 | 8182771 | Grommet, Pump Mounting (4) |
| 10 | 8534021 | Clamp, Recirc Hose Retainer |
| 11 | 8533943 | Screw, 10-16 x 3/4 |
| 12 | 8182768 | Clamp, Drain Pump Hose Retainer |
| 13 | 8576642 | Retainer, Drain Hose |
| 14 | 3347868 | Cable Tie |
| 15 | 8182769 | Hose, Recirc Pump |
| 16 | 8182770 | Clamp, Recirc Pump Hose Retainer |
| 17 | 8182767 | Hose, Drain Pump |

FOR ORDERING INFORMATION REFER TO PARTS PRICE LIST

OPTIONAL PARTS (NOT INCLUDED)

For Model: WTW6200SW1

(White)

| Illus. No. | Part No. | DESCRIPTION |
|-------------------|-----------------|--------------------|
|-------------------|-----------------|--------------------|

PAINT, TOUCH-UP (1/2oz.)

72017 White

PAINT, PRESSURIZED SPRAY (12 oz.)

350938 Primer, Gray

350930 White

PAINT, BULK (1 qt.)

799344 White (Uncut)

WATER SYSTEM PARTS

285442 Connector Kit,
Plastic Drain
Hose

285321 Sleeve Kit,
(Contains 2
Sleeves)

285320 Siphon Break Kit

367031 Drain Protector

SEALER

285195 Sealer, Gasket
(.20 Fl. Oz.) (6 ml)

COUPLING

384496 Coupling, Hose

FOR ORDERING INFORMATION REFER TO PARTS PRICE LIST

Free Manuals Download Website

<http://myh66.com>

<http://usermanuals.us>

<http://www.somanuals.com>

<http://www.4manuals.cc>

<http://www.manual-lib.com>

<http://www.404manual.com>

<http://www.luxmanual.com>

<http://aubethermostatmanual.com>

Golf course search by state

<http://golfingnear.com>

Email search by domain

<http://emailbydomain.com>

Auto manuals search

<http://auto.somanuals.com>

TV manuals search

<http://tv.somanuals.com>