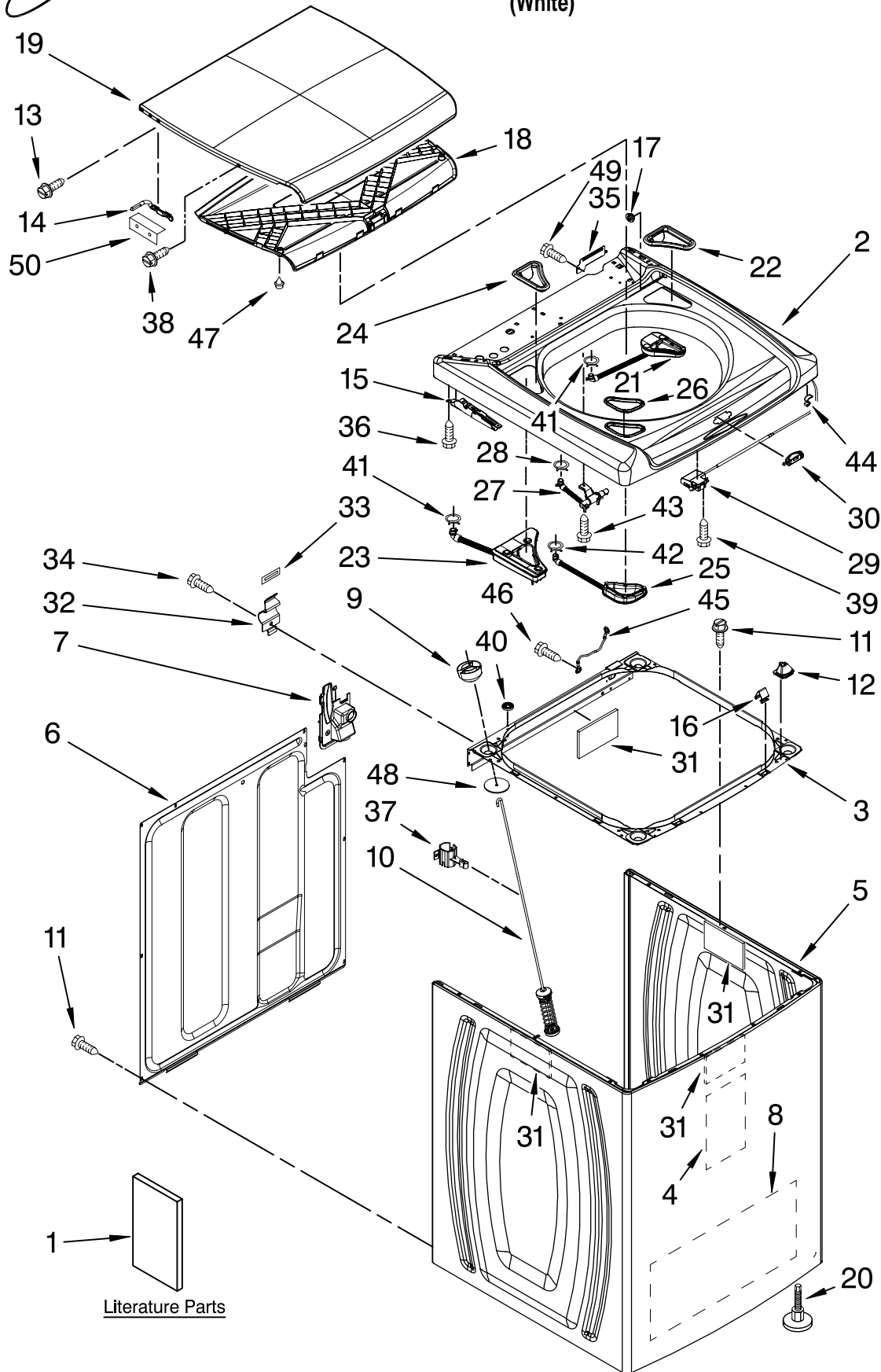




# TOP AND CABINET PARTS

AUTOMATIC WASHER

For Model: WTW6400SW0  
(White)



Literature Parts

FOR ORDERING INFORMATION REFER TO PARTS PRICE LIST

# TOP AND CABINET PARTS

For Model: WTW6400SW0

(White)

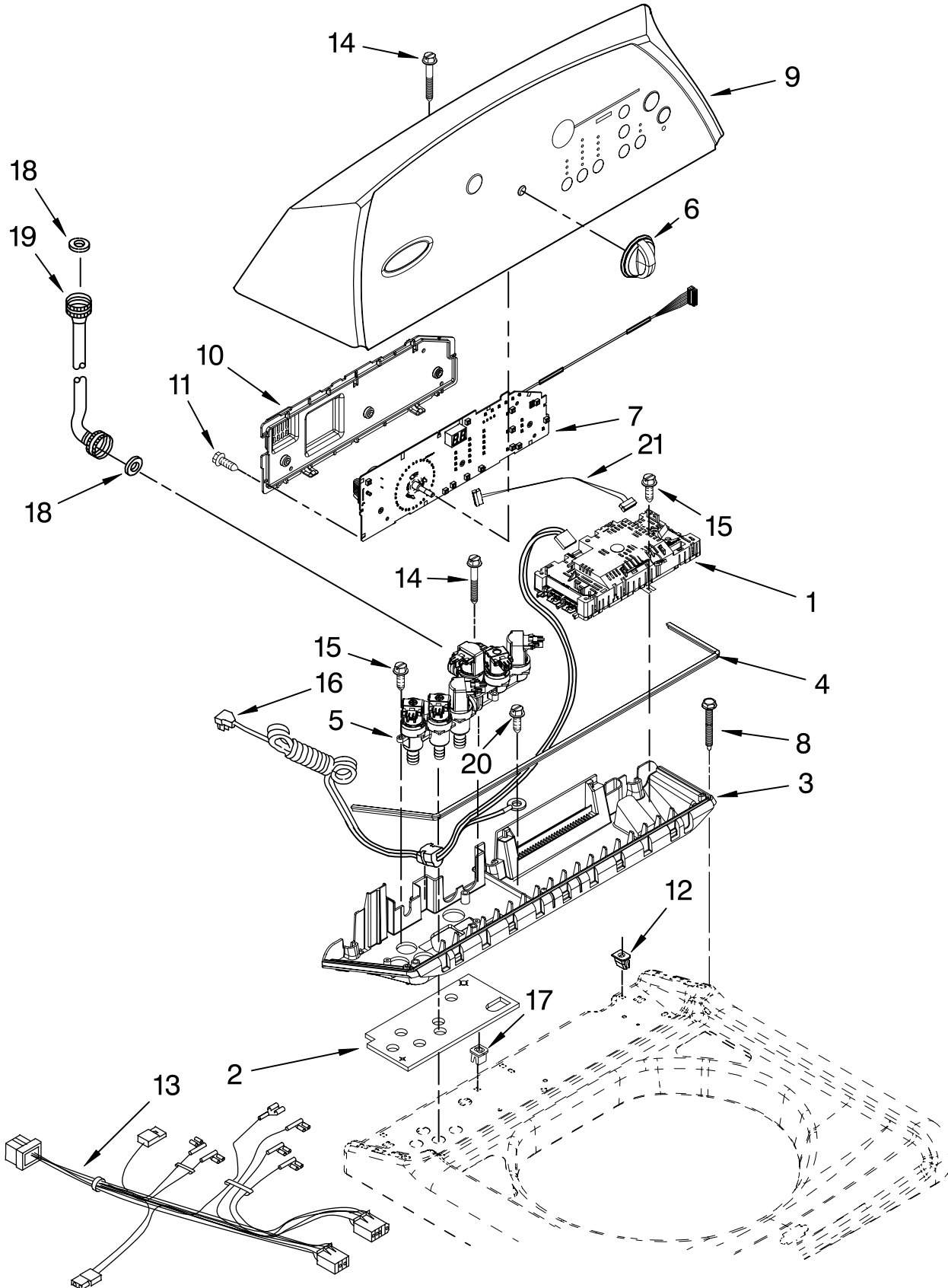
Illus. No.	Part No.	DESCRIPTION	Illus. No.	Part No.	DESCRIPTION	Illus. No.	Part No.	DESCRIPTION
1		Literature Parts	14	8576780	Hinge Arm, Lid (2)	28	371503	Clamp, Hose
	8566931	Use & Care Guide	15		Hinge, Spring Assembly	29	W10059230	Lock Assembly, Lid
	8567037	Tech Sheet		8563962	(Left)	30	8572019	Bezel, Lid Lock
	8566929	Quick Start Guide		8563963	(Right)	31	8564458	Absorber, Impact
	8577781	Wiring Diagram	16	8563785	Lock, Top-Front (2)	32	8564456	Hinge, Top (2)
	8567168	Energy Guide			Lock, Top-Front (2)	33	18849	Pad, Top Hinge (2)
			17	W10052730	Bearing, Lid Hinge (2)	34	343641	Screw, 10-16 x 1/2 (2)
2	8565311	Top	18	8577353	Lid-Inner (Includes Item 47)	35	8563941	Cover, Harness
3	8576639	Frame Assembly, Cabinet Top (Includes Item 31)	19	8572891	Lid	36	693995	Screw, 8-18 x 3/8
4	8576784	Sound Absorber, Cabinet	20	8578826	Foot Assembly, Leveling (4)	37	8543784	Bracket, Drain Hose
5	8566156	Cabinet	21	W10059150	Dispenser, Fabric Softener	38	W10076920	Screw (2)
6	8566090	Panel, Rear	22	8566210	Bezel, Fabric Softener Dispenser	39	8281136	Screw, 10-16 x 3/4
7	8543781	Retainer, Drain Hose Storage	23	W10059160	Dispenser, Bleach	40	8576476	Spacer, Rear (Cabinet/Top)
8	8578225	Sound Absorber, Cabinet	24	8566211	Bezel, Bleach Dispenser	41	370451	Clamp, Hose
9	8576475	Ball, Suspension (4)	25	8564976	Dispenser, Detergent	42	371503	Clamp, Hose
10	8564009	Damper Assembly, Tub Suspension (Set Of 4)	26	8564979	Bezel, Detergent Dispenser	43	3400061	Screw, 10-16 x 9/16
11	1157158	Screw, 8-18 x 3/8	27	8543779	Nozzle Assembly, Fresh Water	44	90016	Clip, Harness (5)
12	8563602	Locator, Top (2)				45	8281736	Wire, Ground Jumper
13	355274	Screw, Lid Hinge Mounting (4)				46	3400076	Screw, 10-32 x 5/8
						47	W10076780	Bumper, Lid (2)
						48	8577896	Washer, Suspension Umbrella
						49	3390647	Screw, 8-18 x 1/2
						50	21097	Pad, Lid Hinge (2)

FOR ORDERING INFORMATION REFER TO PARTS PRICE LIST

# CONTROL PANEL PARTS

For Model: WTW6400SW0

(White)



FOR ORDERING INFORMATION REFER TO PARTS PRICE LIST

# CONTROL PANEL PARTS

For Model: WTW6400SW0

(White)

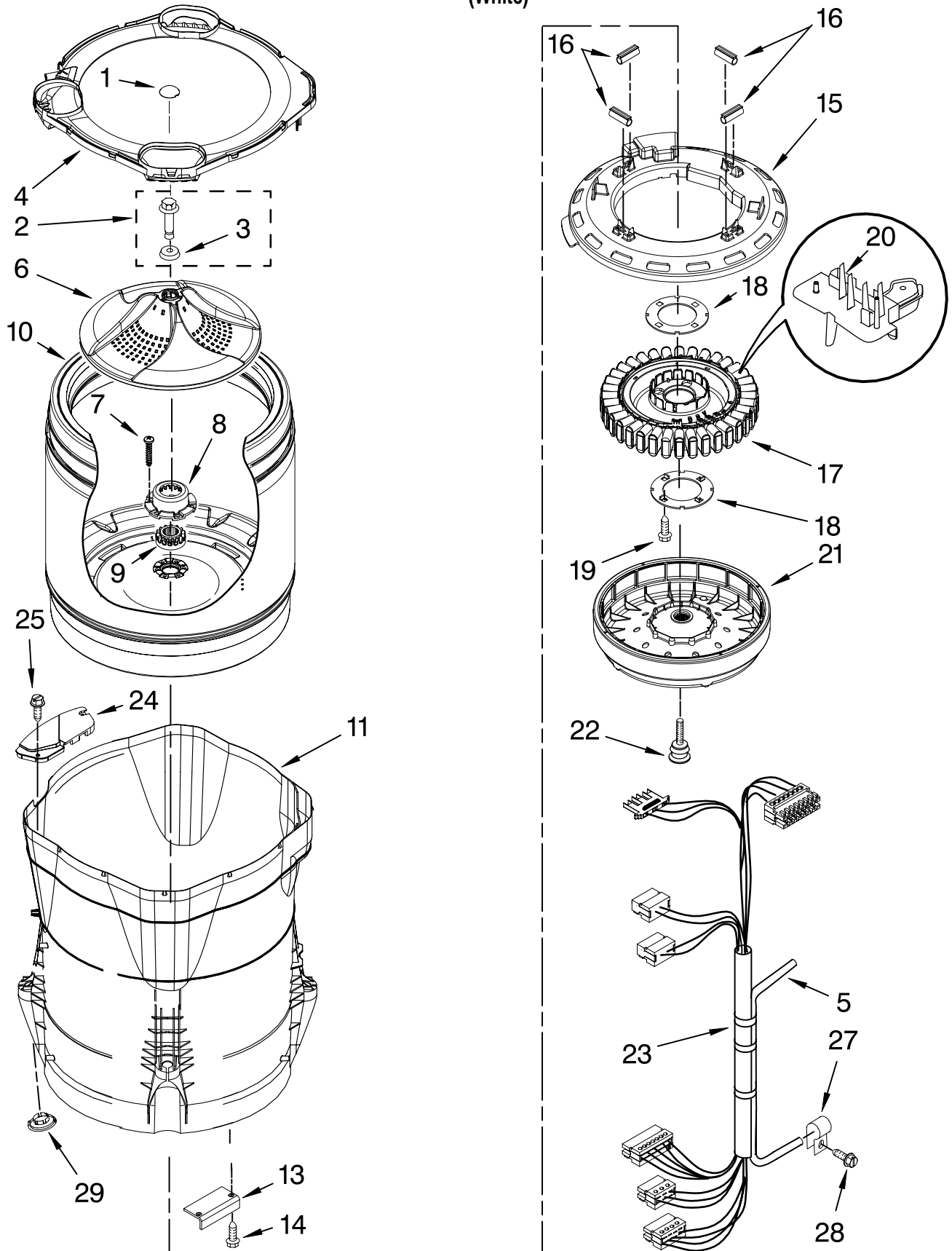
<b>Illus. No.</b>	<b>Part No.</b>	<b>DESCRIPTION</b>
1	W10104830	Control Unit Assembly, Machine & Motor
2	8565260	Gasket, Valve Tray
3	8565304	Tray Assembly, Console (Includes Items 2 & 4)
4	8565259	Gasket, Console/Tray
5	W10059320	Valve, Log Assembly
6	8574885	Knob, Control
7	8564291	User Interface
8	W10004990	Screw, 6-20 x 1.2
9	W10070050	Console
10	8564265	Cover, Rear-User Interface
11	W10003770	Screw, 6-19 x 1/2 (3)
12	W10022060	Nut, Push-In (3)
13	W10045100	Harness, Upper
14	8565324	Screw, 10-16 x 1.75
15	8281136	Screw, 8-18 x 3/4
16	3407203	Cord Assembly, Power
17	98460	Nut, Push-In (2)
18	3976300	Washer, Water Inlet Hose (1-1/16 x 5/8)(4)
19		Hose, Water Inlet
	8571377	Blue Coupler
	8571378	Red Coupler
20	488649	Screw, Power Cord Ground
21	3407187	Harness, Thermistor

FOR ORDERING INFORMATION REFER TO PARTS PRICE LIST

# MOTOR, BASKET AND TUB PARTS

For Model: WTW6400SW0

(White)



FOR ORDERING INFORMATION REFER TO PARTS PRICE LIST

# MOTOR, BASKET AND TUB PARTS

For Model: WTW6400SW0

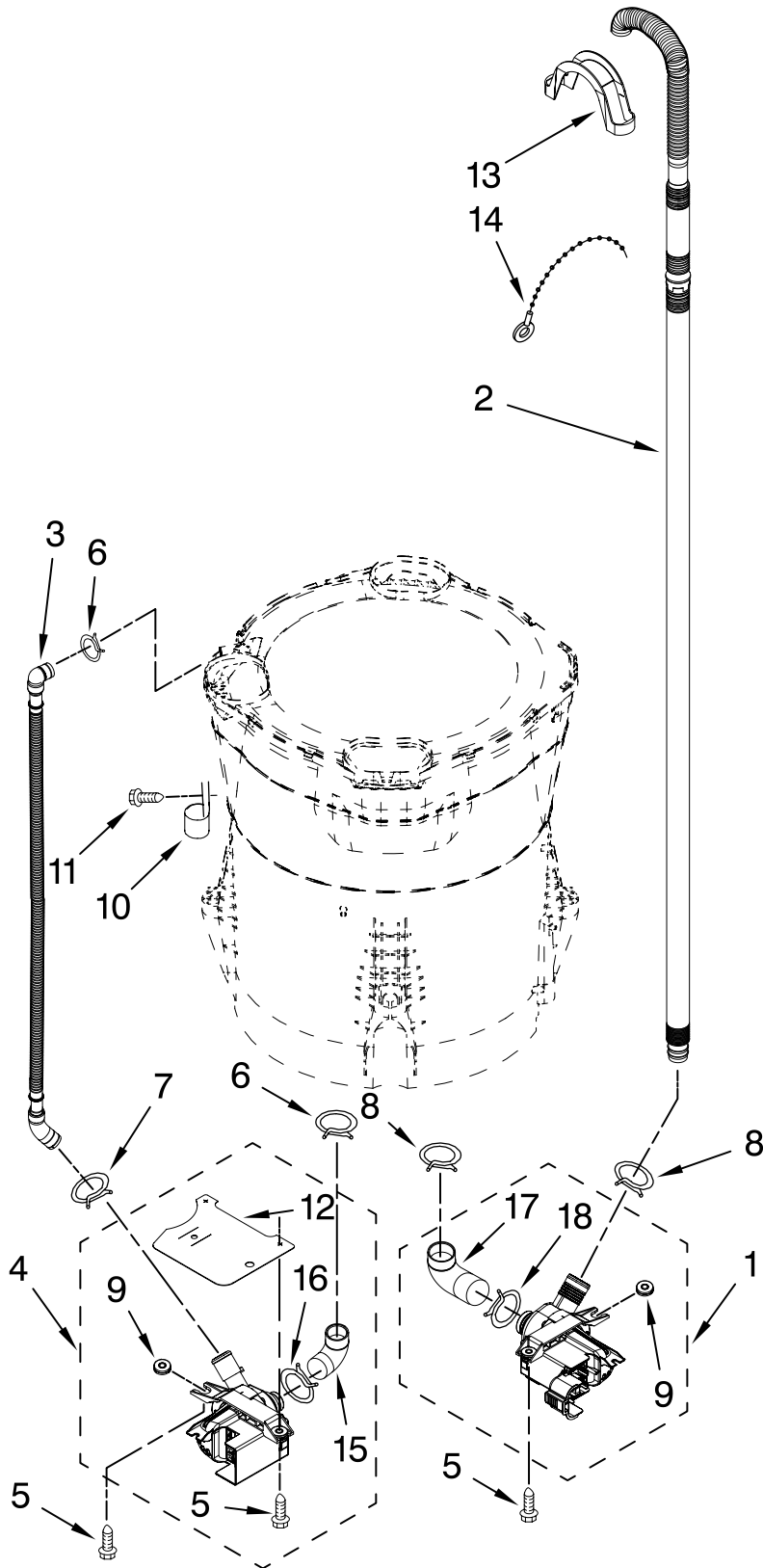
(White)

<b>Illus. No.</b>	<b>Part No.</b>	<b>DESCRIPTION</b>
1	8578929	Cap, Impeller
2	W10076270	Screw & Washer Assembly
3	W10076260	Washer
4	8542666	Tub Ring
5	8572540	Hose Pressure Switch
6	W10076230	Impeller (Washplate)
7	8533953	Screw, 8-16 x 1.000 (6)
8	8545948	Hub, Basket-Driven (Includes Item 9)
9	8545953	Hub, Basket-Driver (Includes Item 8)
10	8557267	Basket Assembly (Includes Items 7, 8, & 9)
11	8572660	Tub & Drive Shaft Assembly
13	8542674	Weight, Tub Counterbalance
14	W10004910	Screw, 12-16 x 1-1/4 (2)
15	8557839	Shield, Drive Motor (Includes Item 16)
16	8565172	Tube, Buffer (Set Of 4)
17	8565170	Stator, Motor (Includes Item 18)
18	8557836	Plate, Stator (Set Of 2)
19	W10076010	Screw, 1/4-20 x .968 (4)
20	8565188	RPS Assembly
21	8565177	Rotor, Main Drive Motor (Includes Item 22)
22		Bolt, Rotor Assembly Non-Serviceable (Supplied W/Rotor)
23	W10058730	Harness, Lower (Includes Item 5)
24	8566197	Filter, Dual Pump Hood
25	8533928	Screw, 8-18 x 3/4 (2)
27	W10005430	Clamp, Pressure Hose Retainer
28	8533957	Screw, 10-16 x 1/2
29	8564017	Cup, Suspension (4)

FOR ORDERING INFORMATION REFER TO PARTS PRICE LIST

# PUMP PARTS

For Model: WTW6400SW0  
(White)



Illus. No.	Part No.	DESCRIPTION
1	W10049390	Pump Assembly, Drain
2	8571715	Hose, Drain
3	8543774	Hose, Recirc
4	8578573	Pump Assembly, Recirc
5	8534063	Screw, 10-14 x 1.000
6	370449	Clamp, Hose
7	8269146	Clamp, Hose
8	8317496	Clamp, Hose
9	8182771	Grommet, Pump Mounting (4)
10	8534021	Clamp, Recirc Hose Retainer
11	8533943	Screw, 10-16 x 3/4
12	8578572	Shield, Recirc Pump
13	8576642	Retainer, Drain Hose
14	3347868	Cable Tie
15	8182769	Hose, Recirc Pump
16	8182770	Clamp, Recirc Pump Hose
17	8182767	Hose, Drain Pump
18	8182768	Clamp, Drain Pump Hose

FOR ORDERING INFORMATION REFER TO PARTS PRICE LIST

# OPTIONAL PARTS (NOT INCLUDED)

For Model: WTW6400SW0  
(White)

<b>Illus. No.</b>	<b>Part No.</b>	<b>DESCRIPTION</b>
-------------------	-----------------	--------------------

## PAINT, TOUCH-UP (1/2oz.)

72017 White

## PAINT, PRESSURIZED SPRAY (12 oz.)

350938 Primer, Gray  
350930 White

## PAINT, BULK (1 qt.)

799344 White (Uncut)

## WATER SYSTEM PARTS

285442 Connector Kit,  
Plastic Drain  
Hose

285321 Sleeve Kit,  
(Contains 2  
Sleeves)

285320 Siphon Break Kit  
367031 Drain Protector

## SEALER

285195 Sealer, Gasket  
(.20 Fl. Oz.) (6 ml)

## COUPLING

384496 Coupling, Hose

FOR ORDERING INFORMATION REFER TO PARTS PRICE LIST



## Free Manuals Download Website

<http://myh66.com>

<http://usermanuals.us>

<http://www.somanuals.com>

<http://www.4manuals.cc>

<http://www.manual-lib.com>

<http://www.404manual.com>

<http://www.luxmanual.com>

<http://aubethermostatmanual.com>

Golf course search by state

<http://golfingnear.com>

Email search by domain

<http://emailbydomain.com>

Auto manuals search

<http://auto.somanuals.com>

TV manuals search

<http://tv.somanuals.com>