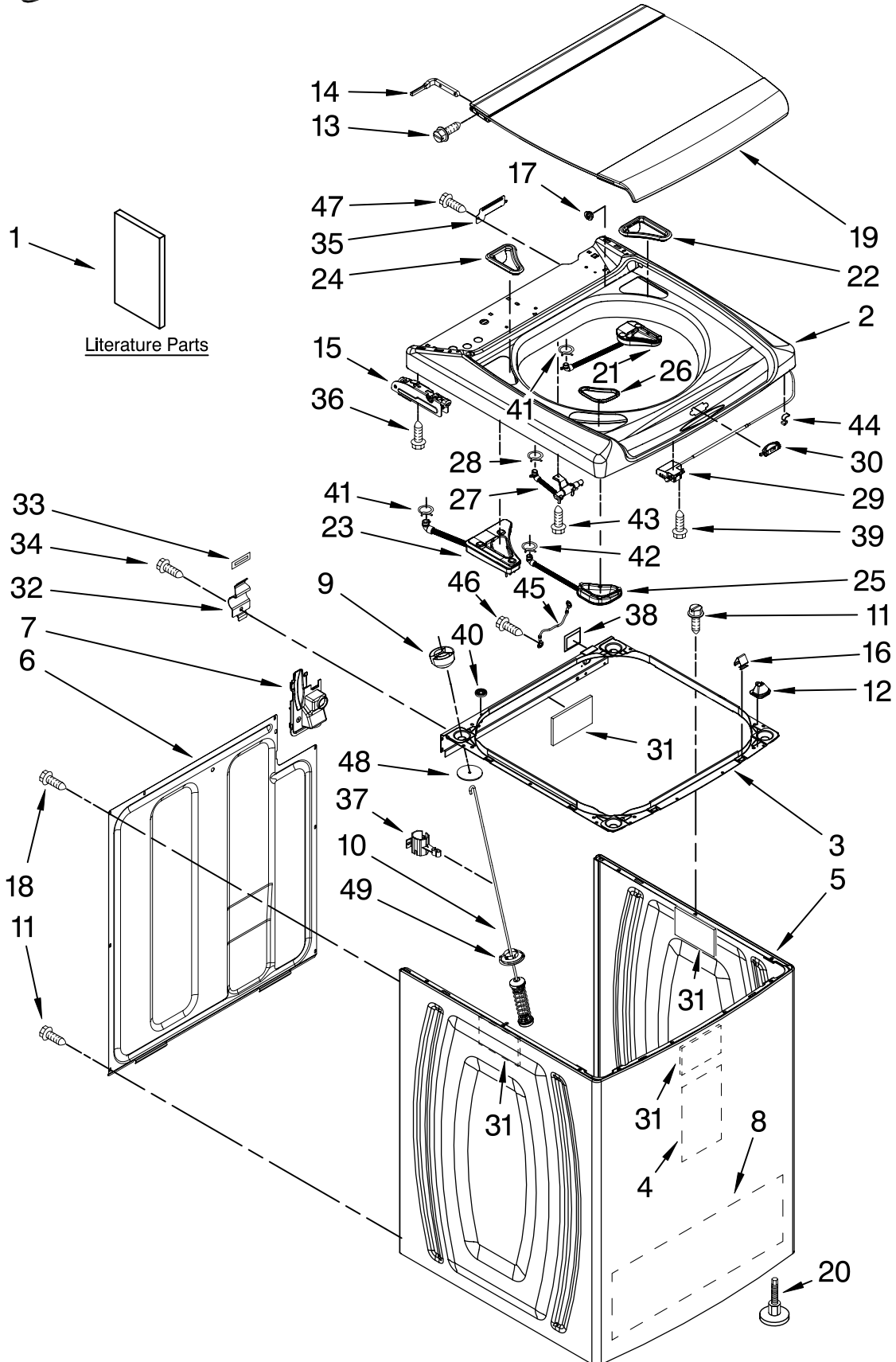




TOP AND CABINET PARTS

For Models: WTW6600SW1, WTW6600SG1, WTW6600SB1
(White) (Biscuit) (Black)

AUTOMATIC WASHER



FOR ORDERING INFORMATION REFER TO PARTS PRICE LIST

TOP AND CABINET PARTS

For Models: WTW6600SW1, WTW6600SG1, WTW6600SB1

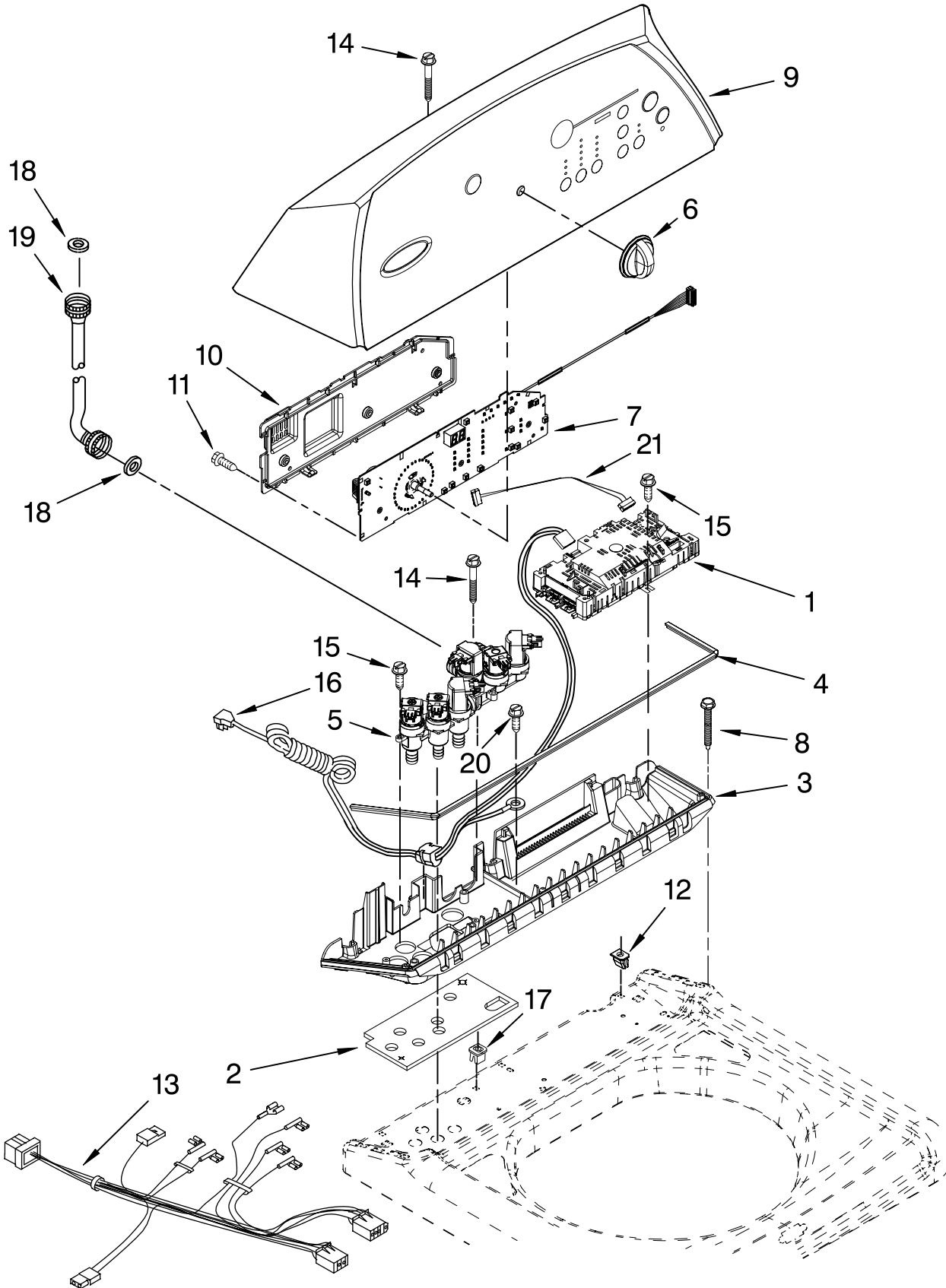
(White) (Biscuit) (Black)

Illus. No.	Part No.	DESCRIPTION	Illus. No.	Part No.	DESCRIPTION	Illus. No.	Part No.	DESCRIPTION
1		Literature Parts	15		Hinge, Spring Assembly (Glass Lid)	26		Bezel, Detergent
	W10106470	Use & Care Guide			(Left)		8564979	White
	W10026571	Tech Sheet		8563962	(Right)		W10045190	Biscuit
	W10106480	Quick Start Guide		8563963	Lock, Top-Front (2)		W10045210	Elephant
	8577781	Wiring Diagram	16	8563785	Bearing, Lid Hinge (2)	27	W10106990	Nozzle Assembly, Fresh Water
	W10107030	Energy Guide			Screw, 8-18 x 1/2	28	371503	Clamp, Hose
2		Top	17	W10052730	Lid, Glass Assembly	29	W10059230	Lock Assembly, Lid
	8565311	White	18	489290	Brilliant White Aluminum	30	8572019	White
	8565312	Biscuit	19		Gold Dust		8563939	Biscuit
	W10053420	Black		8565267	Black		W10052520	Black
3	W10114656	Frame Assembly, Cabinet Top (Includes Items 31 & 38)		8576485	Foot Assembly, Leveling (4)	31	8564458	Absorber, Impact
4	8576784	Sound Absorber, Cabinet	20	W10071520	Dispenser, Fabric Softener	32	8564456	Hinge, Top (2)
5		Cabinet	21	8578826	White	33	18849	Pad, Top Hinge (2)
	8566156	White			Biscuit	34	343641	Screw, 10-16 x 1/2 (2)
	8566157	Biscuit		W10059150	Elephant	35	8563941	Cover, Harness
	W10050330	Black	22	W10052670	Softener Dispenser	36	693995	Screw, 8-18 x 3/8
6	8566090	Panel, Rear		8566210	White	37	8543784	Bracket, Drain Hose
7	8543781	Retainer, Drain Hose Storage		8580016	Biscuit	38	8578386	Shield, Wire Harness
8	8578225	Sound Absorber, Cabinet		8580017	Elephant	39	8281136	Screw, 10-16 x 3/4
9	W10111536	Ball, Suspension (4)	23		Dispenser, Bleach	40	8576476	Spacer, Rear (Cabinet/Top)
10	8564009	Damper Assembly, Tub Suspension (Set Of 4-Includes Items 48 & 49)		W10059160	White	41	370451	Clamp, Hose
11	1157158	Screw, 8-18 x 3/8		W10052690	Biscuit	42	371503	Clamp, Hose
12	W10042120	Locator, Top (2)	24	W10052700	Elephant	43	3400061	Screw, 10-16 x 9/16
13	W10078270	Screw, Lid Hinge Mounting (4)		8566211	Bezel, Bleach Dispenser	44	90016	Clip, Harness (4)
		Hinge Wire (2)		8580018	White	45	8281736	Wire, Ground Jumper
	8563965	(L.H.)		8580019	Biscuit	46	3400076	Screw, 10-32 x 5/8
	8572974	(R.H.)	25		Elephant	47	3390647	Screw, 8-18 x 1/2
				8564976	Dispenser, Detergent	48	8577896	Washer, Suspension Umbrella (4)
				W10059170	White	49	8564017	Cup, Suspension (4)
				W10059180	Biscuit			
					Elephant			

FOR ORDERING INFORMATION REFER TO PARTS PRICE LIST

CONTROL PANEL PARTS

For Models: WTW6600SW1, WTW6600SG1, WTW6600SB1
(White) (Biscuit) (Black)



FOR ORDERING INFORMATION REFER TO PARTS PRICE LIST

CONTROL PANEL PARTS

For Models: WTW6600SW1, WTW6600SG1, WTW6600SB1
(White) (Biscuit) (Black)

Illus. No.	Part No.	DESCRIPTION
1	W10112112	Control Unit Assembly, Machine & Motor
2	8565260	Gasket, Valve Tray
3		Tray Assembly, Console (Includes Items 2 & 4)
	8565304	White
	8565306	Biscuit
	8565305	Black
4	8565259	Gasket, Console/Tray
5	W10059320	Valve, Log Assembly
6		Knob, Control
	8574957	White
	8574958	Biscuit
	8574959	Black
7	8564290	User Interface
8	W10004990	Screw, 6-20 x 1.2
9		Console
	W10070060	White
	W10070070	Biscuit
	W10070080	Black
10	8564265	Cover, Rear-User Interface
11	W10003770	Screw, 6-19 x 1/2 (3)
12	W10022060	Nut, Push-In (3)
13	W10045100	Harness, Upper
14	8565324	Screw, 10-16 x 1.75
15	8281136	Screw, 8-18 x 3/4
16	3407203	Cord Assembly, Power
17	98460	Nut, Push-In (2)
18	3976300	Washer, Water Inlet Hose (1-1/16 x 5/8)(4)
19		Hose, Water Inlet
	8571377	Blue Coupler
	8571378	Red Coupler
20	488649	Screw, Power Cord Ground
21	3407187	Harness, Thermistor

FOR ORDERING INFORMATION REFER TO PARTS PRICE LIST

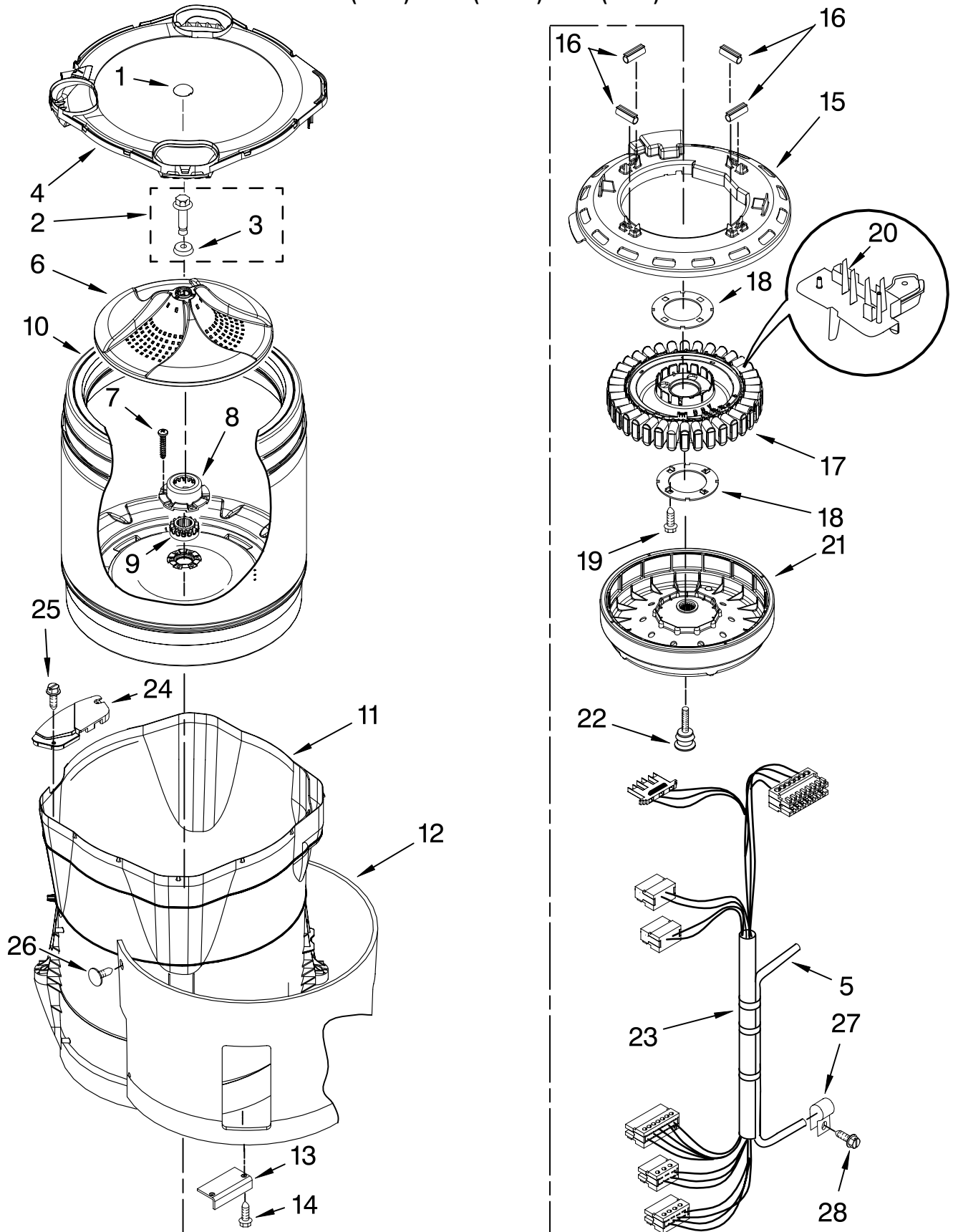
MOTOR, BASKET AND TUB PARTS

For Models: WTW6600SW1, WTW6600SG1, WTW6600SB1

(White)

(Biscuit)

(Black)



FOR ORDERING INFORMATION REFER TO PARTS PRICE LIST

MOTOR, BASKET AND TUB PARTS

For Models: WTW6600SW1, WTW6600SG1, WTW6600SB1

(White)

(Biscuit)

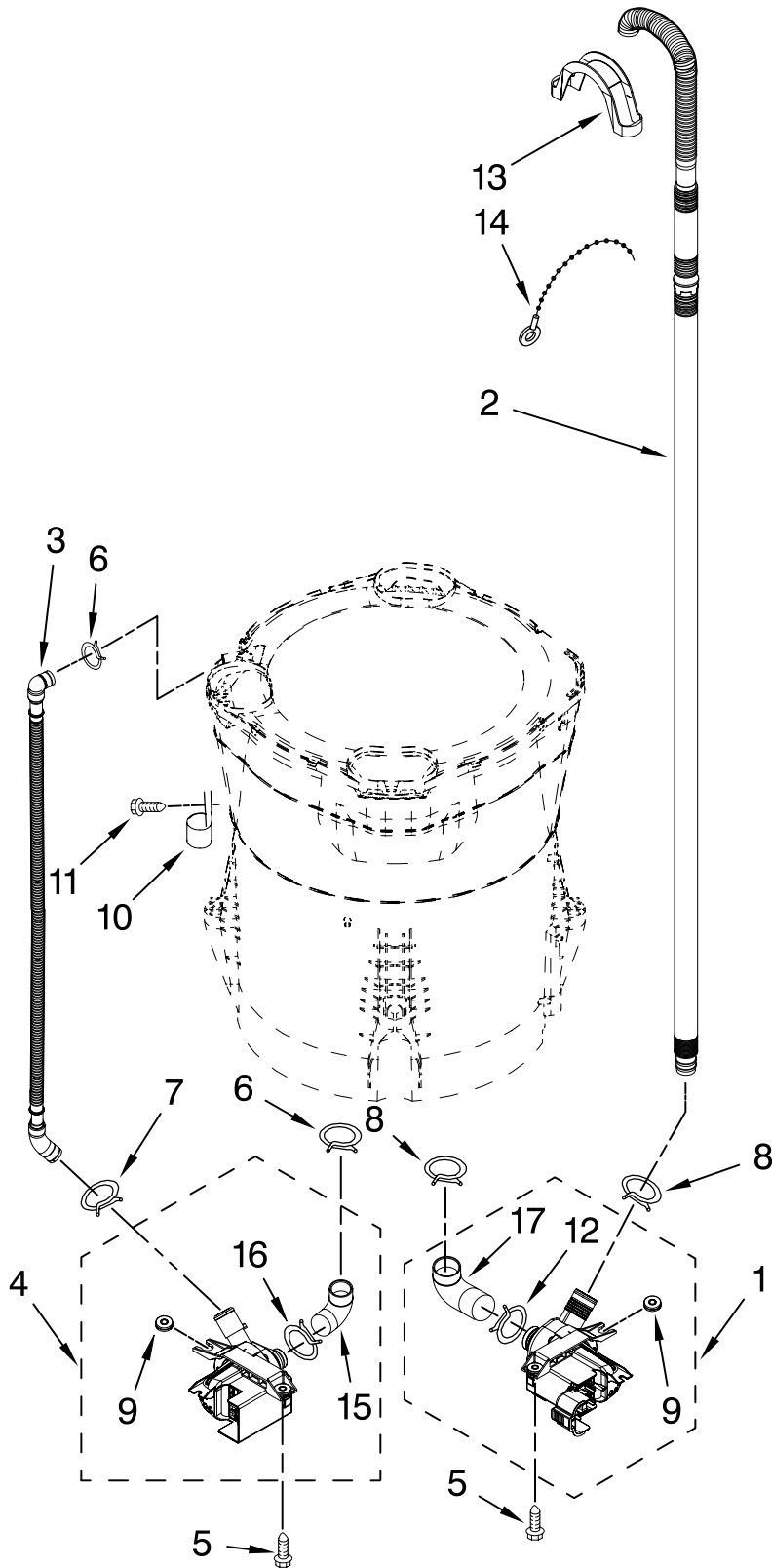
(Black)

<u>Illus. No.</u>	<u>Part No.</u>	<u>DESCRIPTION</u>
1	W10106600	Cap, Impeller
2	W10076270	Screw & Washer Assembly
3	W10076260	Washer
4	W10108430	Tub Ring
5	8572540	Hose Pressure Switch
6	W10076230	Impeller (Washplate)
7	8533953	Screw, 8-16 x 1.000 (6)
8	8545948	Hub, Basket-Driven (Includes Item 9)
9	8545953	Hub, Basket-Driver (Includes Item 8)
10	8557267	Basket Assembly (Includes Items 7, 8, & 9)
11	8572660	Tub & Drive Shaft Assembly
12	8546680	Wrap, Tub
13	8542674	Weight, Tub Counterbalance
14	W10004910	Screw, 12-16 x 1-1/4 (2)
15	8557839	Shield, Drive Motor (Includes Item 16)
16	8565172	Tube, Buffer (Set Of 4)
17	8565170	Stator, Motor (Includes Item 18)
18	8557836	Plate, Stator (Set Of 2)
19	W10076010	Screw, 1/4-20 x .968 (4)
20	8565188	RPS Assembly
21	8565177	Rotor, Main Drive Motor (Includes Item 22)
22		Bolt, Rotor Assembly Non-Serviceable (Supplied W/Rotor)
23	W10058730	Harness, Lower (Includes Item 5)
24	8566197	Filter, Dual Pump Hood
25	8533928	Screw, 8-18 x 3/4 (2)
26	8533987	Retainer, Push-In
27	W10005430	Clamp, Pressure Hose Retainer
28	8533957	Screw, 10-16 x 1/2

FOR ORDERING INFORMATION REFER TO PARTS PRICE LIST

PUMP PARTS

For Models: WTW6600SW1, WTW6600SG1, WTW6600SB1
(White) (Biscuit) (Black)



Illus. No.	Part No.	DESCRIPTION
1	W10049390	Pump Assembly, Drain
2	8571715	Hose, Drain
3	8543774	Hose, Recirc
4	W10049400	Pump Assembly, Recirc
5	8534063	Screw, 10-14 x 1.000
6	370449	Clamp, Hose
7	8269146	Clamp, Hose
8	8317496	Clamp, Hose
9	8182771	Grommet, Pump Mounting (4)
10	8534021	Clamp, Recirc Hose Retainer
11	8533943	Screw, 10-16 x 3/4
12	8182768	Clamp, Drain Pump Hose Retainer
13	8576642	Retainer, Drain Hose
14	3347868	Cable Tie
15	8182769	Hose, Recirc Pump
16	8182770	Clamp, Recirc Pump Hose Retainer
17	8182767	Hose, Drain Pump

FOR ORDERING INFORMATION REFER TO PARTS PRICE LIST

OPTIONAL PARTS (NOT INCLUDED)

For Models: WTW6600SW1, WTW6600SG1, WTW6600SB1

(White)

(Biscuit)

(Black)

Illus.	Part	
No.	No.	DESCRIPTION

PAINT, TOUCH-UP (1/2oz.)

72017 White
4392899 Biscuit
72032 Black

PAINT, PRESSURIZED SPRAY (12 oz.)

350938 Primer, Gray
350930 White
4392901 Biscuit
786020 Black

PAINT, BULK (1 qt.)

799344 White (Uncut)
4392900 Biscuit (Uncut)
786032 Black (Uncut)

WATER SYSTEM PARTS

285442 Connector Kit,
Plastic Drain
Hose
285321 Sleeve Kit,
(Contains 2
Sleeves)
285320 Siphon Break Kit
367031 Drain Protector

SEALER

285195 Sealer, Gasket
(.20 Fl. Oz.) (6 ml)

COUPLING

384496 Coupling, Hose

FOR ORDERING INFORMATION REFER TO PARTS PRICE LIST

Free Manuals Download Website

<http://myh66.com>

<http://usermanuals.us>

<http://www.somanuals.com>

<http://www.4manuals.cc>

<http://www.manual-lib.com>

<http://www.404manual.com>

<http://www.luxmanual.com>

<http://aubethermostatmanual.com>

Golf course search by state

<http://golfingnear.com>

Email search by domain

<http://emailbydomain.com>

Auto manuals search

<http://auto.somanuals.com>

TV manuals search

<http://tv.somanuals.com>