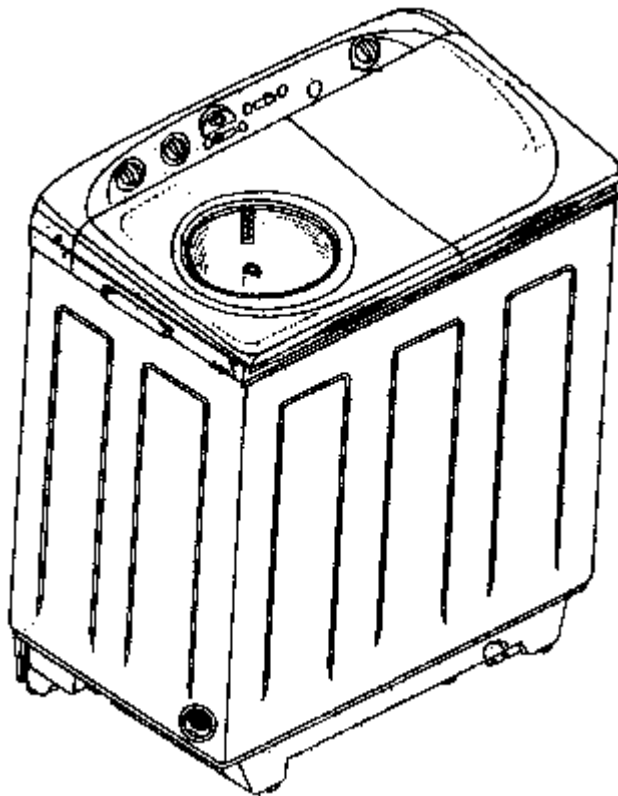


Twin Tub Washing Machine



PARTS & SERVICE Manual

NARSO MODELS



MODEL NUMBERS

SAP_MODEL_NO	DESCRIPTION	OLD_MODEL_NUMBER
1099	WASHING MACHINE -ROPER - APWH	WWBDQ59E0
1100	WASHING MACHINE -SUPER PLUS - APWH	WWBDS50E8
1104	WASHING MACHINE -SUPER PLUS -APWH	WWBCP59E6
1108	WASHING MACHINE-SUPER+APWH-S.MARTIN-220V	WWBDI58E3
1109	WASHING MACHINE -SUPER+ APWH -SURINAME	WWBDJ58E4
1113	WASHING MACHINE -WWBCM58-E0A-APP.WHITE	WWBCM58E0
1294	WASHING MACHINE-SUPER+APWH-S.MARTIN-110V	WWBDH58E0
2254	WASHING M/C - 110 V AC, 60Hz APWH-PANAMA	WWBDR58-E0A
2255	WASHING M/C-115 V AC,60Hz APWH-TRINIDAD	WWBDT58-E6A

MODEL DETAILS

WWBCM58E0A	WWBDM58E5A	WWBDN58E0A
With pump	With pump	With pump
110v	110v	110v

WWBDH58E0A	WWBDL58E0A	WWBDI58E3A
No pump	No pump	No pump
110v	110v	220v

TWIN TUB WASHING MACHINE

CONTENTS NARSO MODELS

S.NO	DESCRIPTION	PAGE NO
1.	SPECIFICATIONS	6
2.	SPECIAL FEATURES OF SUPER PLUS NEW & SUPER NEW	7
3.	CONTROL & FUNCTIONS	8
4.	EXPLODED VIEW AND PARTS LIST	10
5.	WIRING DIAGRAM	16
6.	FAULT FINDING GUIDE	17
7.	COMPONENT CHECK GUIDE	18

SUPER PLUS NEW & SUPER NEW

KNOB-SPIN SHOWER

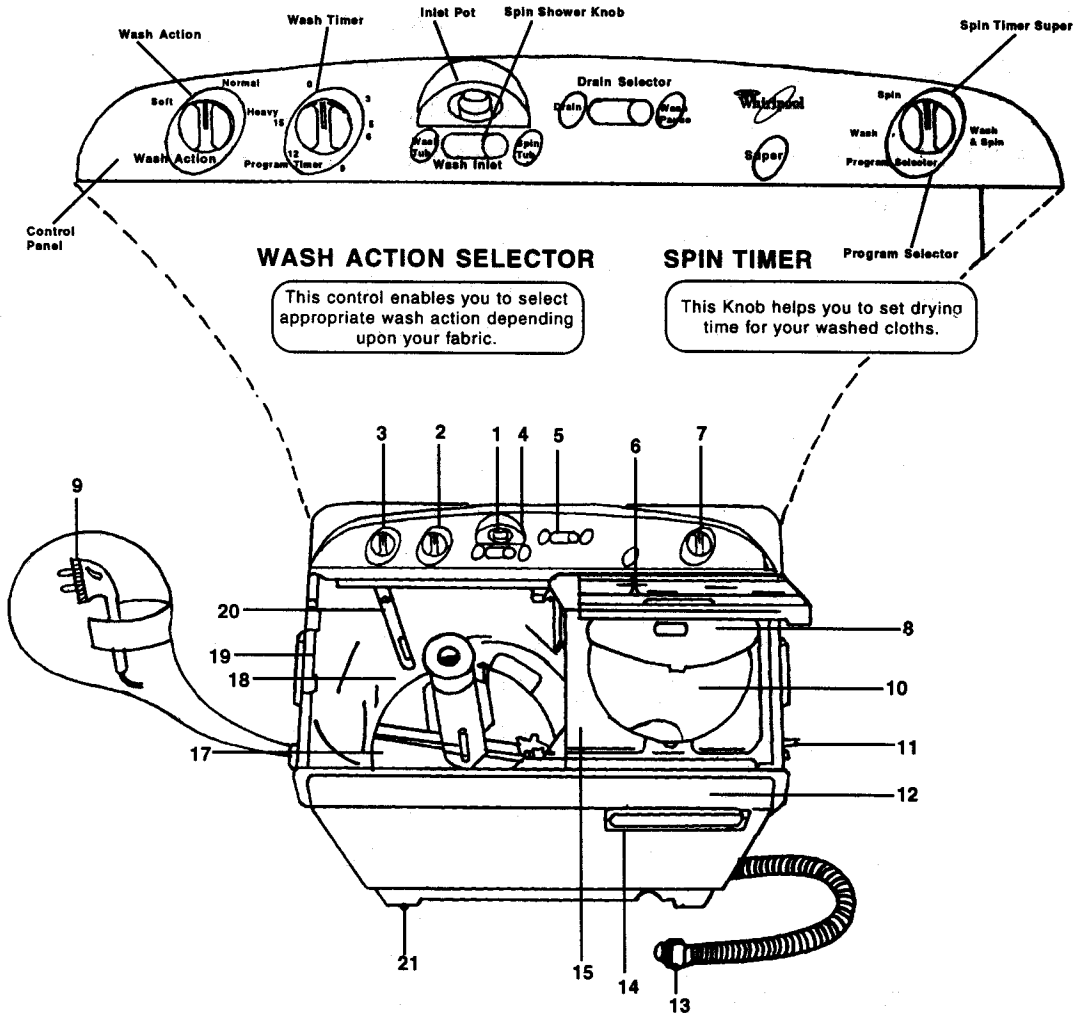
This Knob controls flow of water to wash-tub or spin tub

WASH TIMER

This Knob enables you to select duration of wash depending upon dirt content

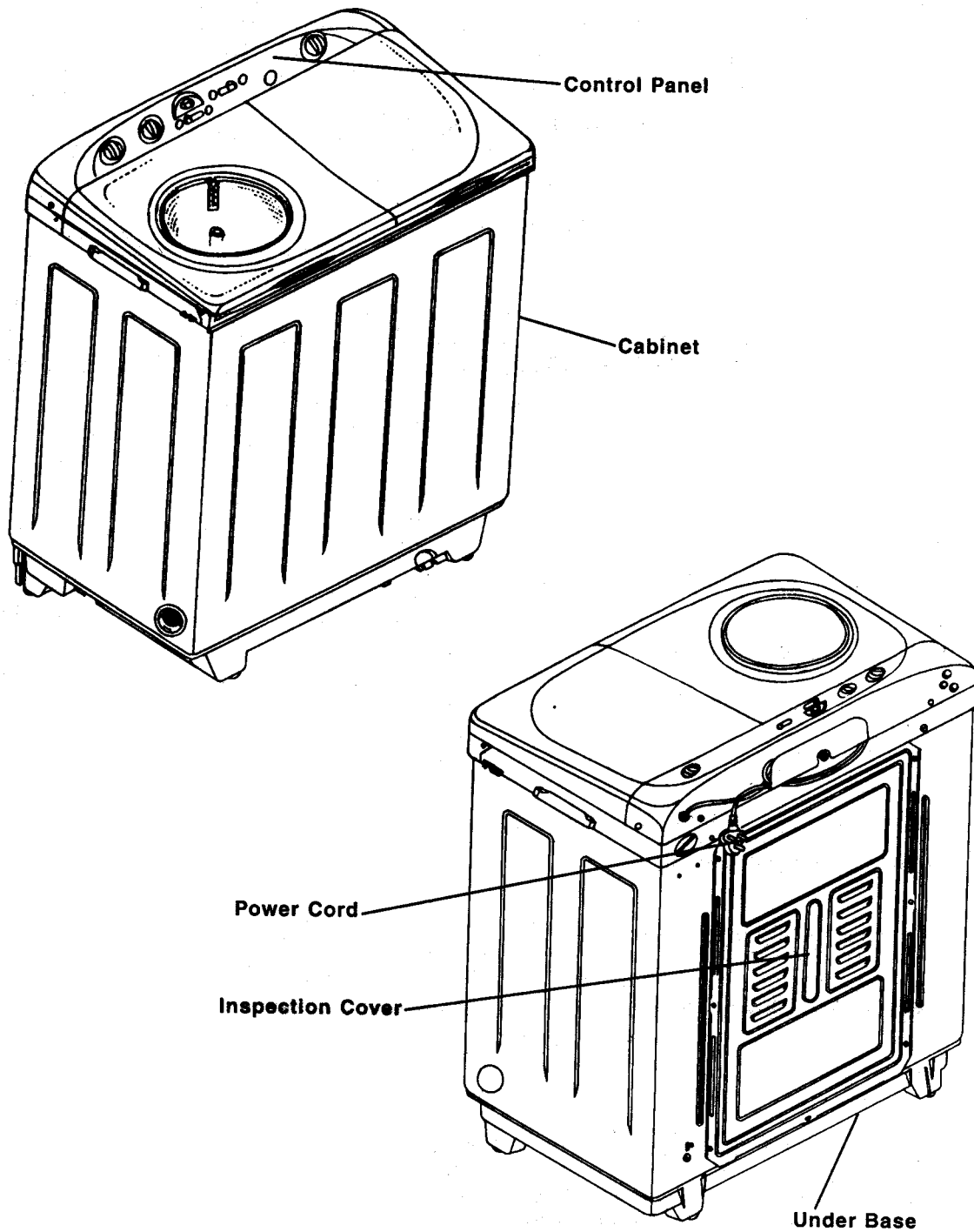
DRAIN SELECTOR

Drain selector switch enables you to drain water after WASH/RINSE



- | | | | |
|-----|----------------------|-----|-----------------------------|
| 1. | Water Inlet | 12. | Panel Front |
| 2. | Wash Timer | 13. | Drain Hose |
| 3. | Wash Action Selector | 14. | Towel Hanger |
| 4. | Drain Strainer | 15. | Water Level Selector |
| 5. | Drain Selector | 17. | Agitator (with Lint-Filter) |
| 6. | Spin-tub Lid | 18. | Wash-tub |
| 7. | Spin Timer | 19. | Wash-tub Lid |
| 8. | Spin-tub Inner Lid | 20. | Lower Water Inlet |
| 9. | Power Cord | 21. | Caster Wheel |
| 10. | Spin-tub | | |
| 11. | Hose Hook | | |

EXTERNAL PARTS FRONT & REAR



SPECIFICATIONS

Doc No. WOI/washer/2001/009
Modified on date 03/08/2001

Page No 5
Subject to modification

**MODEL: SUPER PLUS NEW & SUPER NEW
NARSO MODELS**

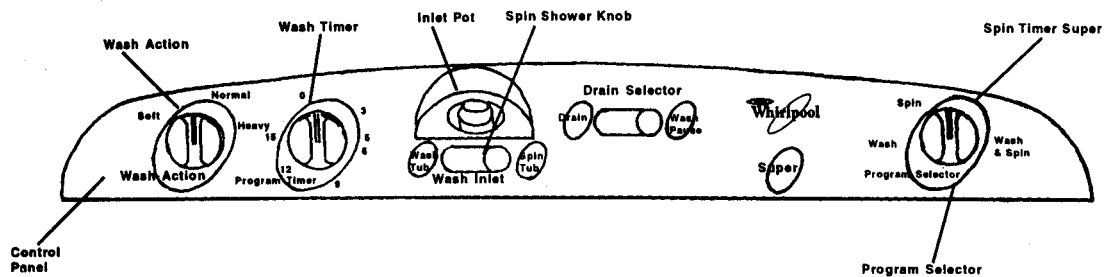
- | | | |
|---------------------------|----------|----------------------------------------------------------------------------------------|
| 1. POWER SOURCE | | : 110V /60 Hz (Except model BDI58E3A) |
| 2. CAPACITY | WASH | : 5 KG DRY WEIGHT |
| | SPIN | : 5 KG WET WEIGHT |
| 3. OVERALL DIMENSIONS | | : W 750MM/D 490 MM/H-812MM |
| 4. MACHINE WEIGHT | PACKED | : 37 KGS |
| | UNPACKED | : 30 KGS |
| 5. MOTOR SPEED | WASH | : 1400 RPM+ 25 RPM |
| | SPIN | : 1400 RPM+ 25 RPM |
| 6. MOTOR POWER
(INPUT) | WASH | : 330 W |
| | SPIN | : 150 W |
| 7. WASH SYSTEM | | : AGITATOR TYPE |
| 8. SPIN SYSTEM | | : CENTRIFUGAL |
| 9. WATER LEVEL SELECTION | | : 3 |
| 10. WATER CAPACITY | HIGH | : 50 L |
| | MEDIUM | : 43 L |
| | LOW | : 36 L |
| 11. AGITATOR SPEED | | : 13 STROKES PER MINUTE |
| 12. INDICATOR | | : BUZZER AT THE END OF
SUPER PLUS NEW – WASH/RINSE
SUPER NEW – WASH/RINSE & SPIN |
| 13. DRIVE SYSTEM | WASH | : BELT & PLANETARY GEAR |
| | SPN | : DIRECT |
| 14. WASH TIMER SETTINGS | | : 1 TO 15 MINUTES |
| 15. SPIN TIMER SETTINGS | | : 1 TO 5 MINUTES (Super Plus New only) |
| 16. TIMER | WASH | : ELCTRO MECHANICAL |
| | SPIN | : MECHANICAL (Super Plus New only) |

FEATURES OF – SUPER PLUS NEW & SUPER NEW TWIN TUB MACHINES

The following are of the main features available in – Super plus New and Super New semi automatic washing machine:

- ⇒ Stainless steel spin basket with liquid balancing ring.
(Only for SUPER PLUS NEW MODEL)
- ⇒ Prepainted galvanized sheet for cabinet.
- ⇒ Unique agitator washing system
- ⇒ Towel hanger (Only for SUPER PLUS NEW model)
- ⇒ True 5-kg wash & matched spin capacity.
- ⇒ Rat mesh
- ⇒ Transparent wash lid
- ⇒ Improved Spin shower option
- ⇒ Wheels for mobility
- ⇒ Buzzer indication
- ⇒ Electro mechanical wash timer
- ⇒ Drain hose routing on all four sides
- ⇒ Power card winding facility
- ⇒ Drain Pump in models BCM58 E0A, BDM58 E5A AND BDN58 E0A
- ⇒ Hinged wash lid and also easily accessible & can be hinged on the side
- ⇒ Fuse 3A – Enclosed in Polyphone cover

CONTROLS & FUNCTIONS - SUPER PLUS NEW & SUPER NEW



1. WASH TIMER

This Electro mechanical timer is meant for selecting the WASH / RINSE duration ranging from 1 minute to 15 minutes. Indications for 3,6,9,12 & 15 minutes are given in the dial. For setting the required duration, the knob has to be rotated in clockwise direction and set at corresponding mark in the dial. Once the knob is set at the required position, the machine is switched on and the timer automatically rewinds in anticlockwise direction while performing WASH / RINSE. Once the timer knob reaches the 'OFF' position, the buzzer indicates the completion of the cycle and the machine gets automatically switched off.

2 . WASH ACTION

Wash action switch is basically a three position switch viz., HEAVY, NORMAL, & SOFT. This knob controls the ON and OFF duration of the motor during agitation thereby varying the washing action. The following are the wash timing corresponding to various settings:

3. DRAIN SELECTOR

This is a mechanical, slide type knob with two positions WASH/RINSE and DRAIN. When set at WASH/RINSE position, the drain valve attached to the wash tub is closed thereby allowing the water to get retained in the tub to perform wash/rinse , If the knob is pushed to DRAIN mode , the drain and the water in the wash tub is drained out.

4. SPIN TIMER (only in SUPER PLUS NEW Model)

This is a mechanical, spring wound timer meant for setting the spin duration ranging from 1 to 5 minutes. For setting the required duration, the knob has to be rotated clockwise and set at the required mark. Never attempt to rotate the timer in anticlockwise direction. Once the knob is set at the required position, the spin motor starts rotating thereby completing the drying process. Once the cycle is completed, the knob reaches OFF position and thereby the supply to the spin motor is automatically cut off.

Since the spin timer is a spring wound type, in case of any power cut, the same will not be sensed by the timer and it continues to rewind till it reaches the OF POSITION.

5. SPIN SHOWER

This is again a tow position knob viz. WASH TUB and SPIN SHOWER. When set at WASH TUB position, it allows the water to be filled in the wash tub. When set at SPIN SHOWER position, the water gets filled in the spin tub.

Spin shower option is generally used to aid the soap removal form the clothes. During this process, the clothes are loaded in the spin tub and the knob is set at SPIN SHOWER mode. Water is then filled into the machine. This water gets sprayed over the clothes in spintub. After 2 minutes of spraying, the water supply needs to be cut off and then spin timer is set ON for few minutes of spinning. This removes the suds from the clothes effectively.

6. PROGRAM SELECTTOR (applicable only for SUPER NEW model)

In super new models, the spin timer is replacing this three way switch. The three positions available are WASH, SPIN and WASH & SPIN. This switch will work in conjunction with the wash timer (Known as PROGRAM TIMER in SUPER NEW model) as detailed below:

- AT WASH POSITION : The wash motor will be ON for the duration set at PROGRAM TIMER
- AT SPIN POSITON : The spin motor will be ON for the duration set at PROGRAM TIMER
- AT WASH & SPIN : BOTH THE WASH AND SPIN MOTORS will be ON for the duration set at PROGRAM TIMER

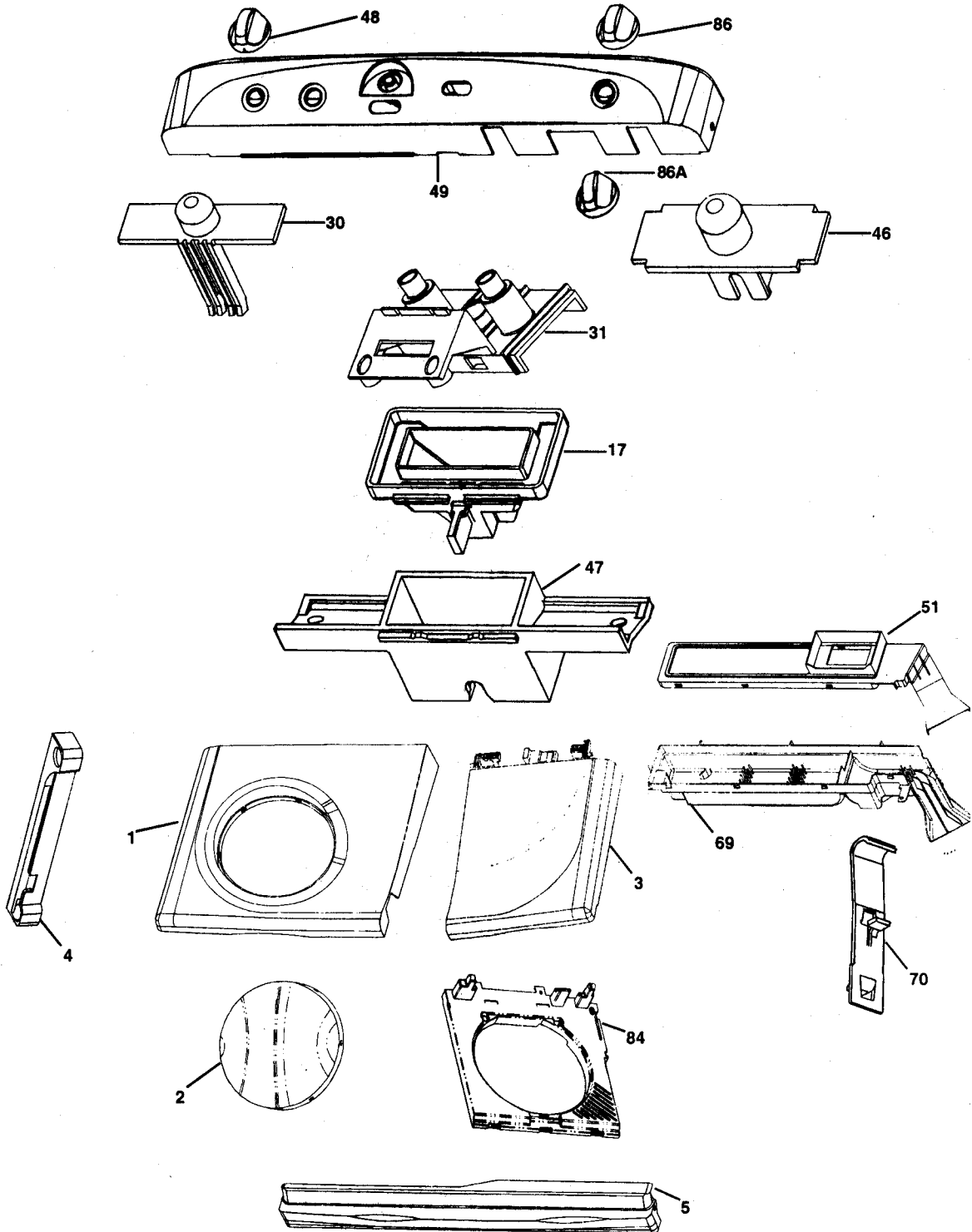
				With pump	With pump	With pump	No pump	No pump	No pump
				110v	110v	110v	110v	110v	220v
POS_NO	material	PART_CODE	DESCRIPTION	BCM58E0A	BDM58E5A	BDN58E0A	BDH58E0A	BDL58E0A	BDI58E3A
1	P013200160D	P0132001516-0	LID WASH - APP. WHITE	1	1	1	1		1
2	P013200040B	P0132001504-0	WINDOW - LID WASH	1	1	1	1	1	1
3	P013200170F	P0132001517-0	LID SPIN - APP. WHITE	1	1	1	1	1	1
4	P013200080C	P0132001508-0	BRACKET - LID WASH - OFF WHITE	1	1	1			
4	P013200280C	P0132001528-0	BRACKET - LID WASH - APWH				1	1	1
5	P013200180D	P0132001518-0	PANEL FRONT - APP. WHITE	1	1	1	1	1	1
6	P010600020C	P0106001502-0	INNER COVER-SPIN	1	1	1	1	1	1
7	P014200010B	P0142001501-0	SPIN CAP - PL/SS	1	1	1	1	1	1
8	P010612290B	P0106121529-0	FILTER CAP - APWH	1	1	1	1	1	1
9	P010612350A	P0106121535-0	COUPLING LINT FILTER - APWH	1	1	1	1	1	1
10	P010612380A	P0106120005-0	FILTER NET ASSY	1	1	1	1	1	1
11	S011280120B	S011280T012-0	AGITATOR SCREW	1	1	1	1	1	1
12	P010612320G	P0106121532-0	AGITATOR - APWH	1	1	1	1	1	1
13	P0132120300	P0132120003-0	BELLOW SPIN ASSY - TT	1	1	1	1	1	1
14	P0106180200	P0106180006-0	DRUM COUPLING ASSY	1	1	1	1	1	1
15	P010618250A	P0106180901-0	BRAKE FIX PLATE	1	1	1	1	1	1
16	P010618010H	P0106181501-0	UNDER BASE	1	1	1	1	1	1
17	P0132400200	P0132401502-0	DIVERTOR	1	1	1	1	1	1
18	P013200310B	P0132005702-0	SPRING LID	1	1	1	1	1	1
19	P014213020B	P0142131502-0	COVER - SPIN BASKET - PLASTIC	1	1	1	1	1	1
20	P010613030E	P0106130003-0	BALANCE RING ASSEMBLY (TT)	1	1	1	1	1	1
21	P013513020D	P0135131501-0	SPIN BASKET - PLASTIC	1	1	1	1	1	1
22	P010613020R	P0106130002-0	SHAFT FIX PLATE ASSY	1	1	1	1	1	1
23	P010618040I	P0106180004-0	BRAKE WIRE ASSY	1	1	1	1	1	1
24	P013218040B	P0132180901-0	PULLEY FAN - BOTTOM (BIG)	1	1	1	1	1	1
24	P013218050B	P0132180902-0	PULLEY FAN - TOP (SMALL)	1	1	1	1	1	1
25	P010618240F	P0106182503-0	MOTOR - WASH (30MM STACK)						1
25	P013818010F	P0138182501-0	MOTOR - WASH - 110 ~ 127V, 60HZ	1	1	1	1	1	
26	P0106181601-0	P0106181601-0	GROMMET	3	3	3	3	3	3
27	P0106181800	P0106181503-0	GROMMET SUPPORT PLATE	1	1	1	1	1	1
28	P0106181502-0	P0106181502-0	WHEEL CASTOR	4	4	4	4	4	4
28	P0106182800	P0106181502-0	WHEEL CASTOR	4	4	4	4	4	4
29	P0136181200	P0136180701-0	WHEEL - SHAFT (LONG)	4	4	4	4	4	4
30	P013240250D	P0132401525-0	KNOB SLIDE SELECTOR - APP. WHITE	1	1	1	1	1	1
31	P0132401300	P0132401513-0	RETAINER - SPIN SHOWER	1	1	1	1	1	1
32	P0136700100	P0136700001-0	FILL HOSE ASSY - EXPORT	1		1	1	1	1
33	P0106123700	P0106121602-0	O RING - TT	1	1	1	1	1	1

				With pump	With pump	With pump	No pump	No pump	No pump
				110v	110v	110v	110v	110v	220v
POS_NO	material	PART_CODE	DESCRIPTION	BCM58E0A	BDM58E5A	BDN58E0A	BDH58E0A	BDL58E0A	BDI58E3A
34	P010612010C	P0106121601-0	RUBBER RING	1	1	1	1	1	1
35	P0132170000	P0132170000-0	DRIVE ASSY	1	1	1	1	1	1
36	P013212070C	P0132121502-0	PULLEY - DRIVEN	1	1	1	1	1	1
37	S011590010A	S011590T001-0	NUT (NYLOC)	1	1	1	1	1	1
38	P010612330C	P0106121533-0	LOWER WATER INLET - APWH	1	1	1	1	1	1
41	P010618050A	P0106181505-0	BAND-BRAKE	1	1	1	1	1	1
42	P0132180300	P0132180003-0	CUSH MOTOR ASSY - TT	3	3	3	3	3	3
43	P010618190C	P0106182801-0	DUAL CAPACITOR - (10+5 MFD)						1
43	P0138180700	P0138182801-0	DUAL CAPACITOR - (40+15 MFD)				1		
43	P0138180800	P0138182802-0	DUAL CAPACITOR - (40+20MFD)	1	1	1		1	
44	P013240120F	P0132401512-0	BRACKET - TIMER STRIGHT	1	1	1	1	1	1
46	P013240270F	P0132401527-0	KNOB SLIDE DRAIN - APP. WHITE	1	1	1	1	1	1
47	P013240140B	P0132401514-0	HOUSING - CONTROL LEVER (EXPORT)	1	1	1			
48	P013240240G	P0132401524-0	KNOB ROTARY - A - APP. WHITE	2	2	2	2	2	2
49	P013240280G	P0132401528-0	CONTROL PANEL - SUPER + - APP. WHITE		1	1	1		1
49	P013840060G	P0138401506-0	CONTROL PANEL - APWH-MEXICO-WHIRLPOOL	1				1	
50	P013240050A	P0132400005-0	SPIN TIMER ASSY- S(3A)-TANGO	1	1	1	1	1	1
51	P013200060D	P0132001506-0	COVER - SPLASH - NATURAL				1	1	1
51	P013200260D	P0132001526-0	COVER - SPLASH - APWH	1	1	1			
52	P013240550B	P0132402702-0	ROTARY SWITCH - WASH (SUPER PLUS)						1
52	P013840010A	P0138402701-0	ROTARY SWITCH - WASH - 127V, 60HZ	1	1	1	1	1	
53	P010600060C	P0106001506-0	RETAINER-BRAKE WIRE	1	1	1	1	1	1
54	P0106125300	P0106121606-0	COUNTER FLOW PROTECTOR	1	1	1	1	1	1
55	P010612260I	P0106121526-0	TUB - APWH	1	1	1	1	1	1
56	P010600530B	P0106001601-0	V-BELT(TWIN TUB)	1	1	1	1	1	1
57	S017100000A	S017100T000-0	PIG TAIL CONNECTOR-3 DIA	8	8	8	8	8	8
58	S0171000100	S017100T001-0	PIG TAIL CONNECTOR-3.8 DIA				2	2	2
58	S0171000100	S0171000001-0	PIG TAIL CONNECTOR-3.8 DIA	2	2	2			
59	P013240100A	P0132400010-0	MICRO SWITCH ASSY - TT	1	1	1	1	1	1
60	P011050030A	P0110502703-0	SWITCH - KICKOUT (3 TERMINAL + LEVER)	1	1	1			
61	P0106125100	P0106120002-0	DRAIN ASSY	1	1	1	1	1	1
62	P010612500D	P0106121507-0	VALVE CAP	1	1	1	1	1	1
63	P010612460C	P0106125701-0	VALVE SPRING	1	1	1	1	1	1
64	P0106122000	P0106121520-0	VALVE ROD-ADJUSTABLE	1	1	1	1	1	1
65	P010612050A	P0106121605-0	BELLOWS-VALVE	1	1	1	1	1	1
66	P010612450D	P0106125101-0	HOSE-TUB TO DRAIN (D:36, L:275)	1	1	1	1	1	1
67	P010612040G	P0106121504-0	INLET JOINT	1	1	1	1	1	1

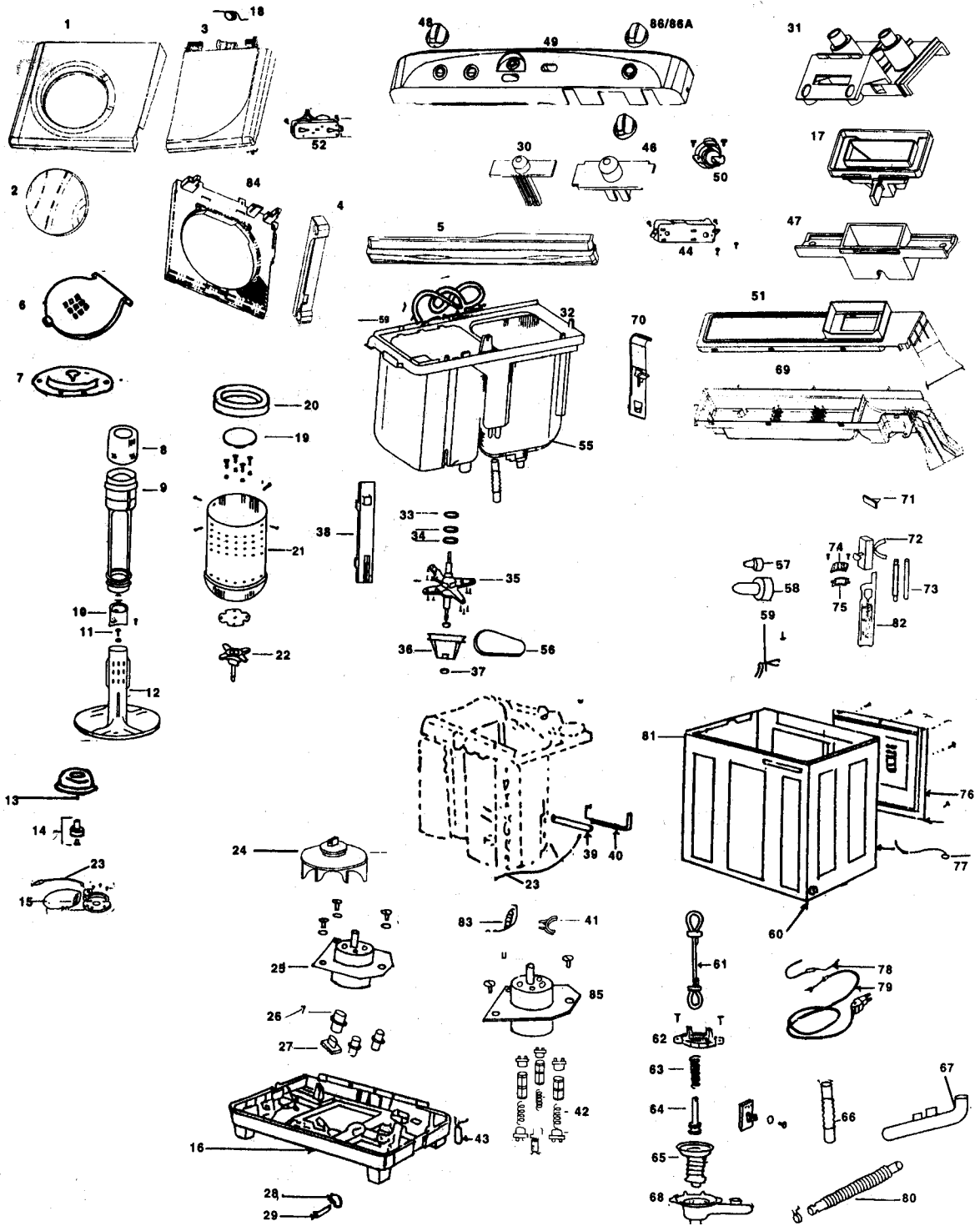
				With pump	With pump	With pump	No pump	No pump	No pump
				110v	110v	110v	110v	110v	220v
POS_NO	material	PART_CODE	DESCRIPTION	BCM58E0A	BDM58E5A	BDN58E0A	BDH58E0A	BDL58E0A	BDI58E3A
68	P010612520E	P0106121505-0	VALVE HOUSING	1	1	1	1	1	1
69	P013200250C	P0132001525-0	BASE WATER PASSAGE - APWH	1	1	1	1	1	1
70	P013200010I	P0132000901-0	BRACKET-BRAKE WIRE	1	1	1	1	1	1
71	P010612280D	P0106121528-0	COVER SLIDER - APWH	1	1	1	1	1	1
72	P014212020D	P0142121502-0	SLIDER - ADJ. OVERFLOW - APWH	1	1	1	1	1	1
73	P010612470F	P0106125102-0	HOSE-ADJUSTABLE OVERFLOW	1	1	1	1	1	1
74	P010612300A	P0106121530-0	STRAINER - APWH	1	1	1	1	1	1
75	P010612310B	P0106121531-0	STRAINER BRACKET - APWH	1	1	1	1	1	1
76	P0142000700	P0142001507-0	INSPECTION COVER - HIPS - APWH	1	1	1	1	1	1
77	P010612070D	P0106120007-0	INNER EARTH ASSY	1	1	1			
77	P0136180500	P0136182605-0	INNER EARTH - WMOTOR JT / SM JT. - 300L	1	1	1	1	1	1
78	P013240570B	P0132400006-0	FUSE ASSY (3A) - TT						1
78	P013840080A	P0138400008-0	FUSE ASSY - 6.3A/240V - SCREW TYPE	1	1	1	1	1	
79	P0136400500	P0136402802-0	POWER CORD - 2FLAT PIN-ONE ROUND PIN	1	1	1	1	1	1
80	P0136180100	P0106125104-0	DRAIN HOSE				1	1	1
80	P0136180100	P0136185101-0	DRAIN HOSE - EXPORT	1	1	1			
81	P013621050G	P0136211001-0	CABINET - APP. WHITE - EXPORTS	1	1	1	1		1
82	P010612340D	P0106121534-0	OVERFLOW FILTER - APWH	1	1	1	1	1	1
83	P0106182600	P0106185701-0	STRING-BRAKE	1	1	1	1	1	1
84	P013200270C	P0132001527-0	TOP PLATE - APWH	1	1	1	1	1	1
85	P010618220D	P0106182504-0	MOTOR SPIN -20MM						1
85	P013818020D	P0138182502-0	MOTOR - SPIN - 110 ~ 127V, 60HZ	1	1	1	1	1	
86	P013240260K	P0132401526-0	KNOB ROTARY - C - APP. WHITE	1	1	1	1	1	1
	P010640030B	P0106401803-0	DRAIN CABLE - STEEL	1	1	1			
	P010690150A	P0106900015-0	LINT FILTER ASSY - APWH	1	1	1	1	1	1
	P011050030A	P0110502703-0	SWITCH - KICKOUT (3 TERMINAL + LEVER)	1	1	1			
	P0115900100	P0115906501-0	CUSHION-UNDER	1	1	1	1	1	1
	P011590080A	P0115901501-0	DRAIN BEND - EXPORT	1	1	1			
	P012112010B	P0121125101-0	HOSE-VALVE HOUSING TO PUMP (D-36, L275)	1	1	1			
	P0121180100	P0121180901-0	BRACKET - PUMP	1	1	1			
	P012140010B	P0121400901-0	SPRING PLATE - DRAIN SWITCH	1	1	1			
	P0132120600	P0132121002-0	HOOK - VALVE ROD	1	1	1			
	P0132120600	P0142121001-0	HOOK - VALVE ROD				1	1	1
	P013240040D	P0132401504-0	HOUSING - LEVER CONTROL				1	1	1
	P0132400700	P0132400007-0	DRAIN CONTROL ASSY	1	1	1	1	1	1
	P013240490B	P0132401506-0	BRACKET - ROTARY SWITCH	1	1	1	1	1	1

				With pump	With pump	With pump	No pump	No pump	No pump
				110v	110v	110v	110v	110v	220v
POS_NO	material	PART_CODE	DESCRIPTION	BCM58E0A	BDM58E5A	BDN58E0A	BDH58E0A	BDL58E0A	BDI58E3A
	P013290010E	P0132906501-0	CUSHION - TOP	1	1	1	1	1	1
	P0132900300	P0132906503-0	TOP COVER - EDGE	2	2	2	2	2	2
	P0132900400	P0132906504-0	TOP COVER - MIDDLE	1	1	1	1	1	1
	P013290050B	P0132906505-0	CUSHION - MIDDLE	1	1	1	1	1	1
	P0138220100	P0138220001-0	PUMP ASSEMBLY - 127V - 60HZ	1	1	1			
	P013890080B	P0138906502-0	BOX PACKING - SRILANKA	1	1	1	1	1	1
	P0142400900	P0142401509-0	BRACKET - MICRO SWITCH	1	1	1	1	1	1

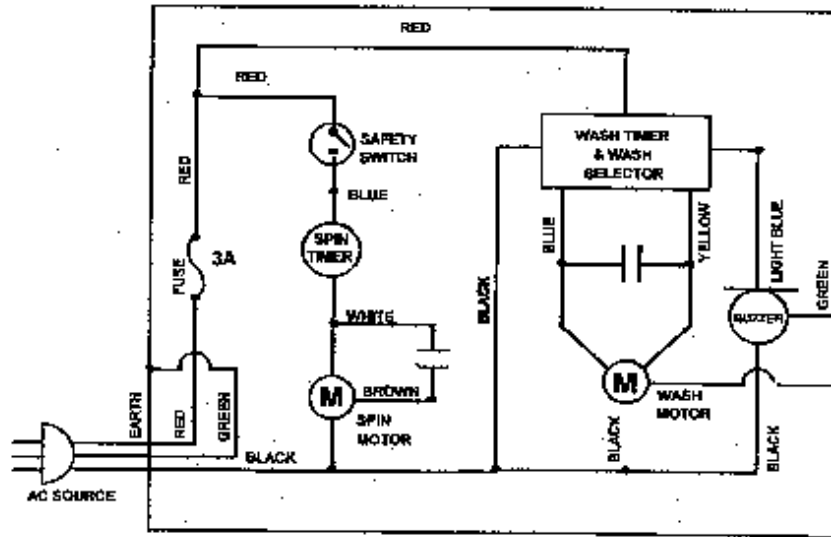
EXCLUSIVE PARTS - SUPER PLUS NEW & SUPER NEW



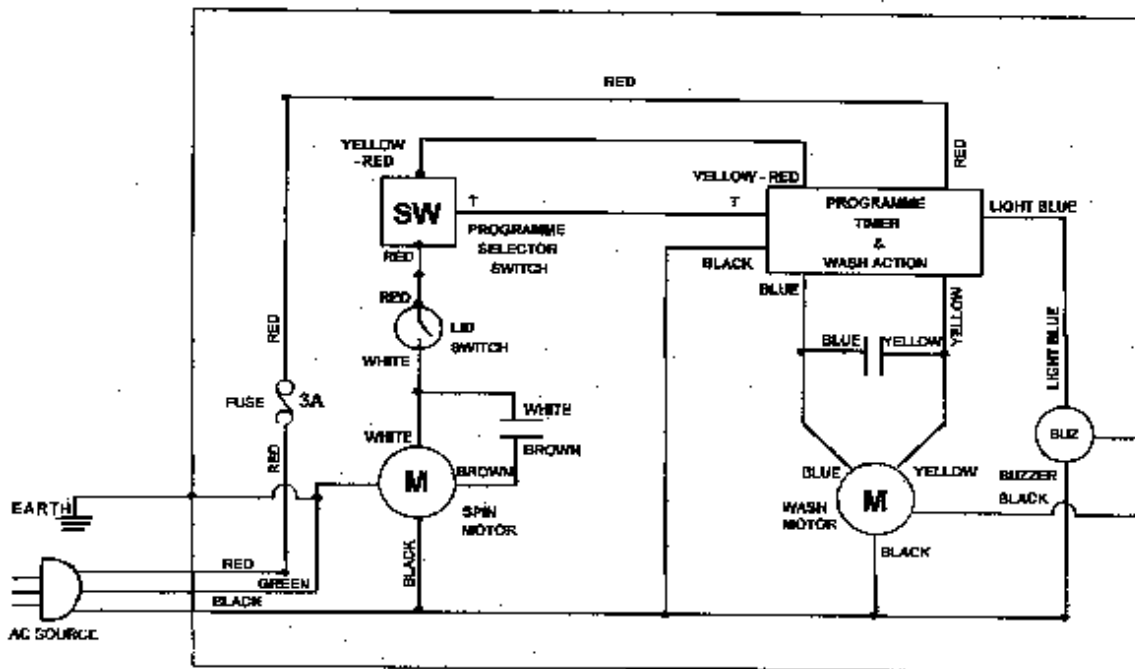
EXPLODED VIEW - SUPER PLUS NEW AND SUPER NEW



SUPER PLUS NEW



SUPER NEW



Trouble shooting chart

S.NO	PROBLEM	POSSIBLE CAUSE	REMEDY
1	Shock/Current Leak	Earth Not Proper	Connect Proper Earthing
2	Machine Not Functioning	No Supply At The Power Point	Check Electrical Supply At Socket
		Plug Switch Is Not On	Switch On The Plug
		Blown Up Fuse	Replace Fuse
		Defective Power Cord	Refer CCG *
		Defective Wash Timer	Refer CCG
		Defective Capacitor	Refer CCG
		Defective Drive Assy	Refer CCG
		Defective Drive Belt	Replace
3	No Drain	Drain Hose Hooked On Machine	Place The Drain Hose At Ground Level
		Kinked / Clogged Drain Hose	Remove / Clean
		Drain Valve Control Wire Dislodged	Reconnect Drain Wire
		Control Cable Cut	Replace Cable
		Clogged Drain Valve	Clean Drain Valve
4	No Agitation	Wash Timer Defective	Refer CCG
		Wash Motor Defective	Refer CCG
		Drive Belt Cut	Replace Drive Belt
		Defective Drive Assy	Refer CCG
		Defective Capacitor	Refer CCG
		Wire Discontinuity	Rectify
5	One Side Agitation	Defective Wash Timer	Refer CCG
		Defective Wash Motor	Refer CCG
		Defective Drive Assy	Refer CCG
6	Noisy Agitation	Loose Drive Belt	Adjust
		Defective Drive Assy	Refer CCG
		Loose Agitator	Fix The Agitator Properly
		Defective Wash Motor	Refer CCG
7	Leak During Drain	Defective Drain Valve	Refer CCG
		Punctured Drain Hose	Replace
8	No Spin	Lid Open	Close Lid
		Defective Lid Switch	Replace
		Defective Capacitor	Refer CCG
		Defective Spin Motor	Refer CCG
		Improper Brake	Adjust
		Defective Brake Cable	Replace
9	Noisy Spin	Defective Spin Basket	Replace
		Loose Coupling Bolt	Tighten
		Loose Basket Shaft	Tighten
		Defective Spin Motor	Refer CCG

* CCG is the Component Check Guide table in the next page

COMPONENT CHECK GUIDE

S.NO	COMPONENT	NATURE OF PROBLEM	TESTING PROCEDURE	REMEDY
1		Machine Gives shock	Check for proper earthing to which the machine is connected using multimeter. Check voltage between Phase & Neutral Phase & Earth both should be equal. Check continuity between Neutral & Earth If found to be short Earthing is defective	Inform customer to correct for proper earthing
2	Fuse	Blown	Using multimeter check continuity between both the ends.	Replace the fuse
3	Power cord	Discontinuity	Check for proper continuity between plug side and machine side also check for short circuit between wires	Replace power cord
4	capacitor	Not functioning WARNING DISCHARGE BEFORE HANDLING	Check the capacitor with the multimeter in continuity mode. The meter should first read ohms and gradually the needle should swing back to infinity Ohms. It indicates a good capacitor and any thing other than this is defective.	Replace the capacitor
5	Wash Motor	Does not run	Check the winding resistance using a multimeter between wires BLACK & BLUE 37.6 Ohms approx. BLACK & YELLOW 42.6 Ohms. If the resistances are not as per the given value it could be short or open	Replace the wash motor
6	Spin Motor	Does not run	Check the winding resistance using a multimeter between wires BLACK & BROWN 69 Ohms approx. BLACK & WHITE 77.5 Ohms. If the resistances are not as per the given value it could be short or open	Replace the Spin motor

COMPONENT CHECK GUIDE Cont'd

7	Wash / Spin motor	Noisy Operation Wash / Spin	Visually check the damages on pulley and refer, also check for free rotation of the rotor. If any damages noticed or the rotor not rotating freely indicates defective motor (Wash & Spin).	Replace the Wash / Spin motor.
		Electric current leakage	Check the motors for short between body and terminals using a multimeter. If meter shows continuity, it indicates motor is defective.	Replace the motor.
8	Timer	No spin	<p>Check continuity between the terminals of the spin timer using a multimeter.</p> <p>1. In OFF position the meter should read infinite resistance.</p> <p>2. In ON position the meter should read zero Ohms.</p> <p>If the meter not showing as per above statements it indicates defective spin timer</p>	Replace the spin timer
		Not advancing	Set the Timer to one position and check the knob whether coming back to OFF position. If not coming indicates defective spin timer.	Replace the spin timer.
9	Wash Timer	Not advancing / No Wash	Set the timer to one position and check the knob whether coming back to OFF position after switching On the machine. If not coming indicates defective wash timer	Replace the wash timer.
11	Circuit breaker	No spin	Adjust / Replace the circuit breaker and check for the continuity using a multimeter. If no continuity indicates circuit breaker defective.	Make contact between the two leads to the circuit breaker assy.
12	Drive assy	Noisy agitation	Visually check for excessive play in the shaft. If anything as above noticed indicates defective drive assy.	Replace the drive assy

Free Manuals Download Website

<http://myh66.com>

<http://usermanuals.us>

<http://www.somanuals.com>

<http://www.4manuals.cc>

<http://www.manual-lib.com>

<http://www.404manual.com>

<http://www.luxmanual.com>

<http://aubethermostatmanual.com>

Golf course search by state

<http://golfingnear.com>

Email search by domain

<http://emailbydomain.com>

Auto manuals search

<http://auto.somanuals.com>

TV manuals search

<http://tv.somanuals.com>