

# Installation Instructions

Part No. 4373526

**IMPORTANT:**  
**Read and save**  
**these instructions.**

**IMPORTANT:**

**Installer:** Leave Installation Instructions with the homeowner.

**Homeowner:** Keep Installation Instructions for future reference.

**Save** Installation Instructions for local electrical inspector's use.

**Pure Delivery**  
**Water System**

5/94



# Before you start...

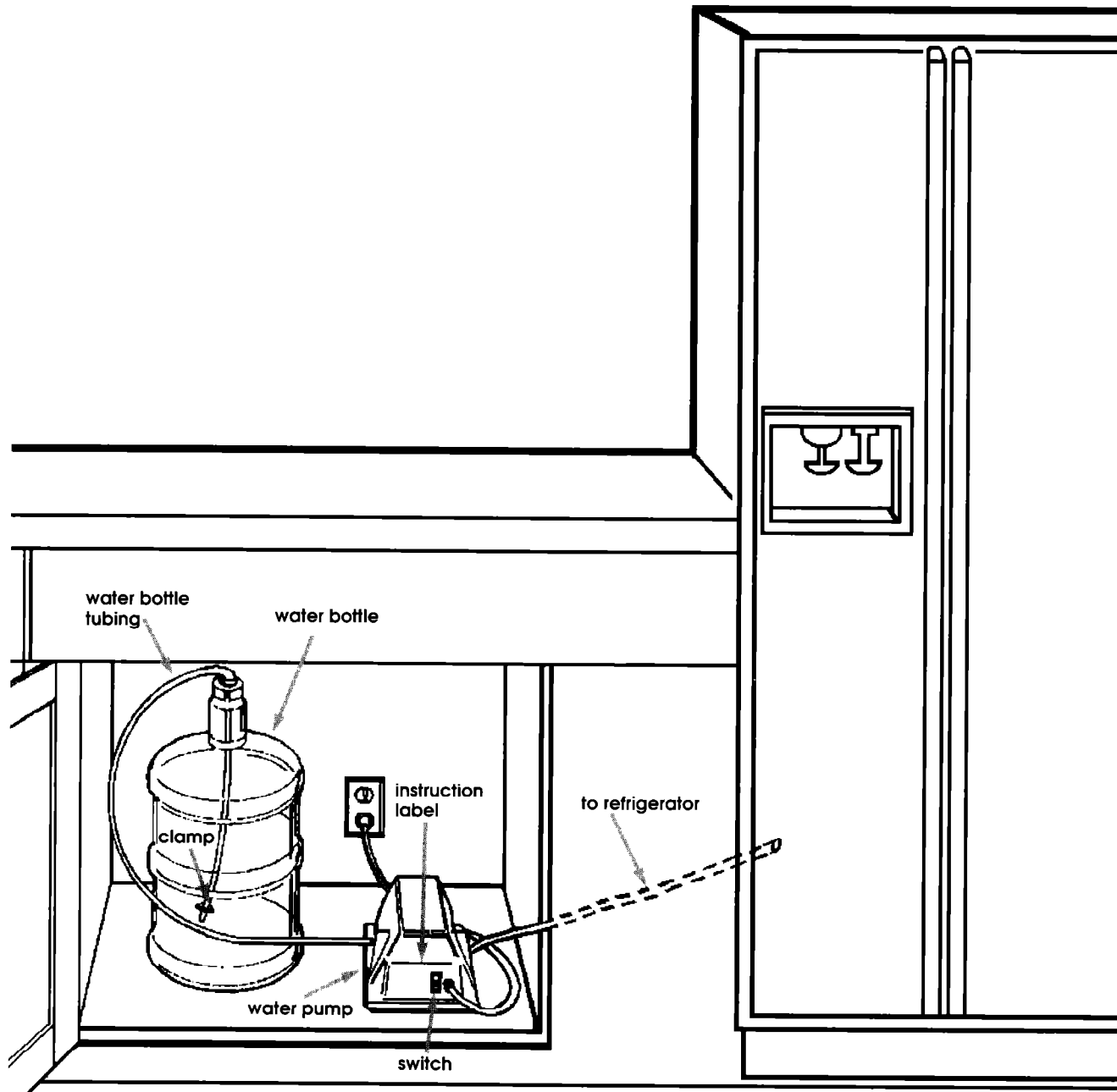
**Check location** where water pump will be installed. Proper installation is your responsibility. Make sure you have everything necessary for correct installation.

The serial/rating information is located on the base of pump.

**Important: Observe all governing codes and ordinances.**

**Earthed electrical outlet** is required. See Electrical requirements.

**Water connections** to pump Do Not require sealing compounds to prevent leaking.



**! WARNING**

**Personal Injury Hazard**

- Do Not use water pump to pump any other liquids. Use only for bottled water.
- Clean system after extended periods of non-use.

Failure to follow these instructions may result in personal injury.

**! WARNING**

**Electrical Shock Hazard**

It is the customer's responsibility:

- To contact a qualified electrical installer.
- To assure that the electrical installation is adequate and in conformance with National Electrical Codes, and all local codes and ordinances.

Failure to do so could result in fire, electrical shock or other personal injury.

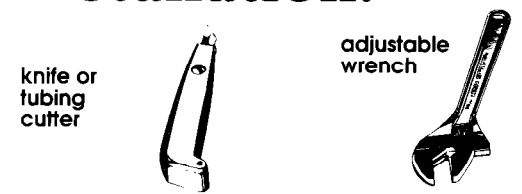
**! CAUTION**

**Property/Product Damage**

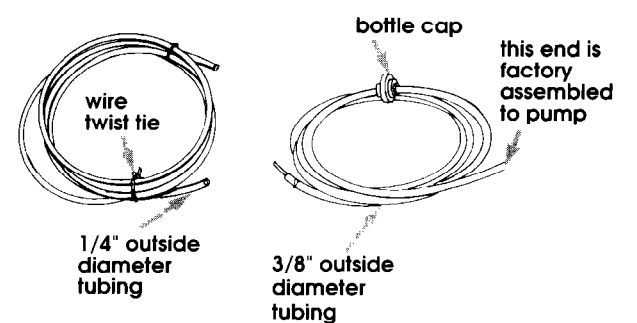
- Do Not store water bottle and water pump in an area where temperatures fall below 0°C(32°F).

Failure to follow these instructions may result in property or product damage.

## Tools needed for installation:



## Parts supplied for installation:



## Parts not supplied for installation:

- fittings to connect 1/4" O.D. tubing to refrigerator inlet
- If additional tubing is required, you will need tubing connector, Part No. 4319153 and 1/4" O.D. tubing, Part No. 4319151.

# Electrical requirements

**! WARNING**

**Electrical Shock Hazard**

- Electrical earth is required on this appliance.
- If cold water pipe is interrupted by plastic, non-metallic gaskets or other insulating materials, Do Not use for earthing.
- Do Not earth to a gas pipe.
- Do Not modify the power supply cord plug. If it does not fit the outlet, have a proper outlet installed by a qualified electrician.
- Do Not have a fuse in the neutral or earthing circuit. A fuse in the neutral or earthing circuit could result in electrical shock.
- Do Not use an extension cord with this appliance.

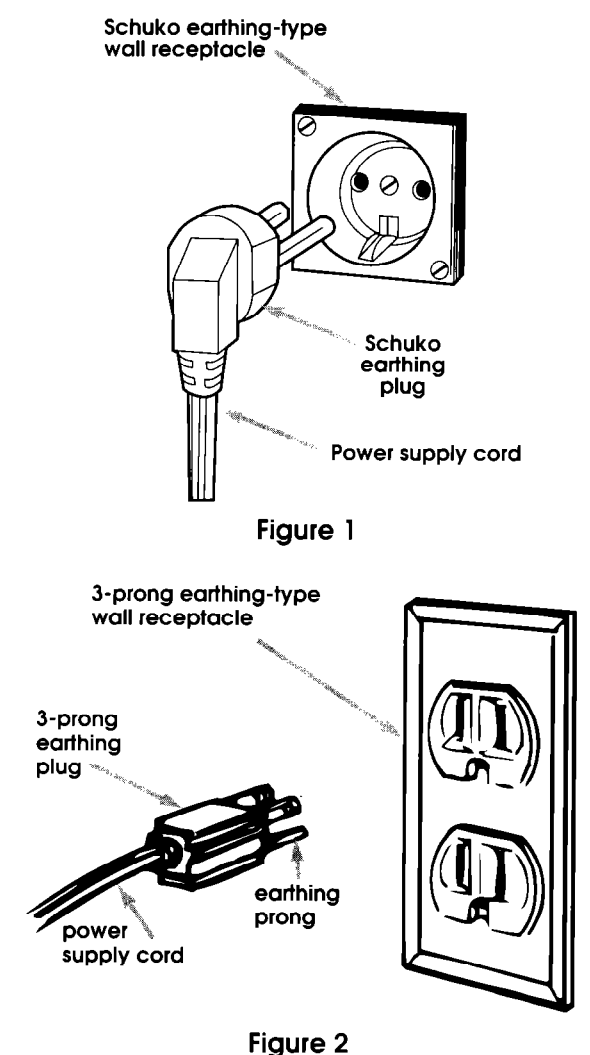
- Check with a qualified electrician if you are in doubt as to whether the appliance is properly earthed.
- This appliance is equipped with a power supply cord having a 3-prong earthing plug. To minimize possible shock hazard, the cord must be plugged into a mating 3-prong earthing-type wall receptacle, earthed in conformance with National Electrical Codes, and all local codes and ordinances. See Figures 1 and 2. If a mating wall receptacle is not available, it is the personal responsibility and obligation of the customer to have a properly earthed 3-prong wall receptacle installed by a qualified electrician.

Failure to follow these instructions could result in a serious injury or death.

If codes permit and a separate earthing wire is used, it is recommended that a qualified electrician determine that the earthing path is adequate.

A fused electrical supply is required. (Time-delay fuse or circuit breaker is recommended.) It is recommended that a separate circuit serving only this appliance be provided.

Panel A



## Now start...

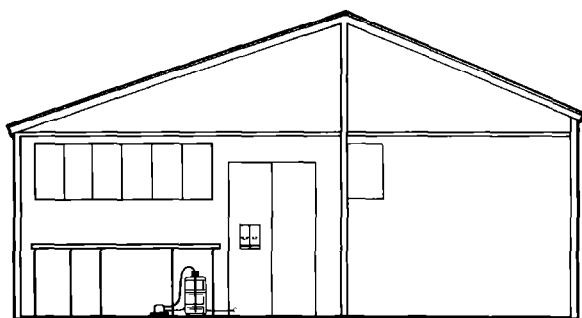
With pump in room where it will be installed.

1. Determine where you wish to locate water pump and water bottle. The water bottle and water pump should be installed on the same level.

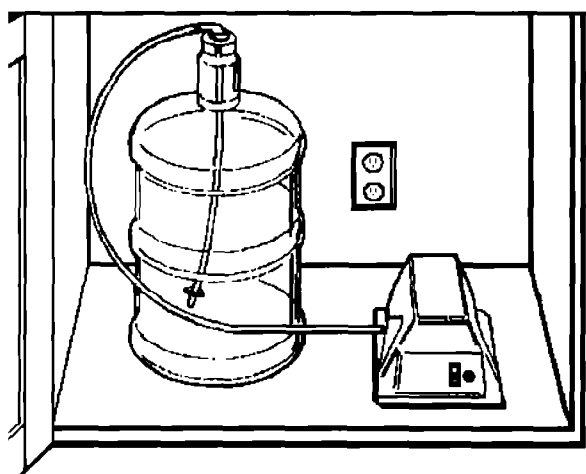
The water bottle and water pump must be located close together since the tubing connecting the pump to the water bottle is 1.8m (6 feet) long. **Use existing tubing between water pump and water bottle. Do Not cut this tubing or add tubing between pump and water bottle. Do Not remove clamp on end of tubing that connects inner tubing to outer tubing.**

### Suggested locations:

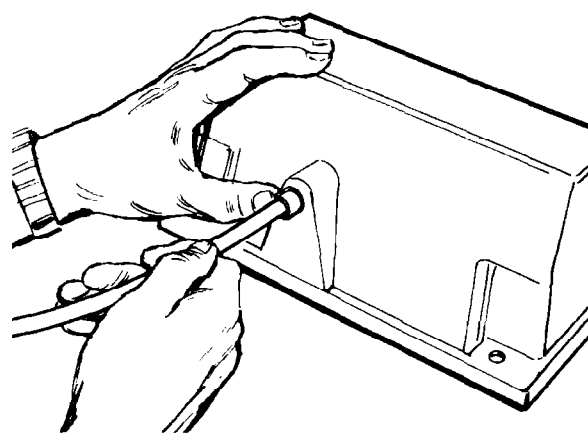
- Under the sink .
- Cabinet next to refrigerator.



2. Determine where you will need to run water lines and the length of tubing that will be needed. If more tubing is needed than what is supplied, tubing (Part No. 4319151) and tubing connectors (Part No. 4319153) can be obtained from your dealer or authorized parts distributor.

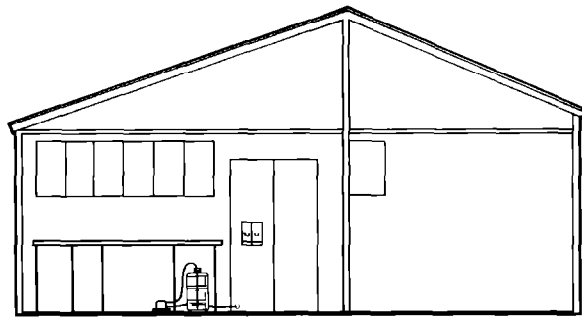


3. Attach bottle cap to water bottle. Push the tubing into the water bottle until the end of the tubing reaches the bottom of the bottle. **Do Not remove clamp from end of tubing.**

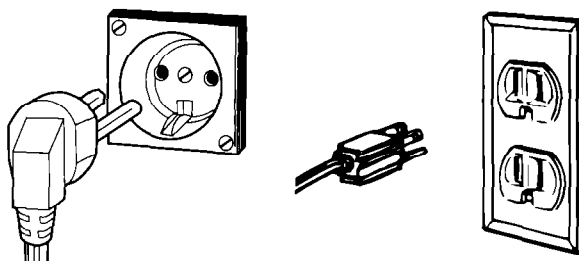


4. Insert one end of the outlet tubing into connector located on outside of pump as far as it will go. If tubing needs to be adjusted, push connector in and pull tubing out.

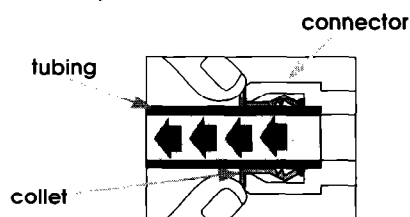
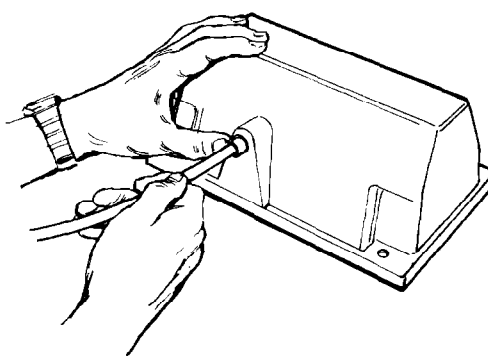
### Panel B



5. Route the tubing to the refrigerator. Cut tubing to length needed.



6. Plug power supply cord into earthed, electrical outlet. Press the pump switch to the "I" position.



7. Run enough water through refrigerator to fill a glass or other container. Check all connections for leaks.

If a connection leaks, push in collet and remove tubing. Cut off 1.3cm (1/2") of tubing and reinsert into connector.

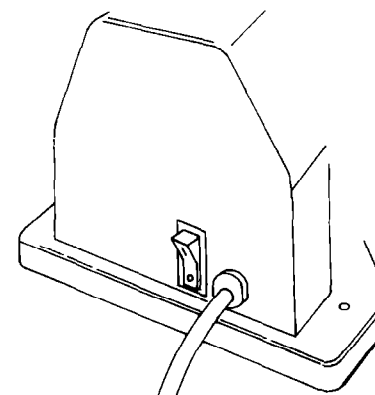
**If unit is connected ONLY to a refrigerator icemaker, the icemaker will have to call for water before pump can be checked for leaks.**

## Use and Care Information

The water pump operates automatically when dispenser is operated. When the dispenser is released, the water pump automatically stops operating.

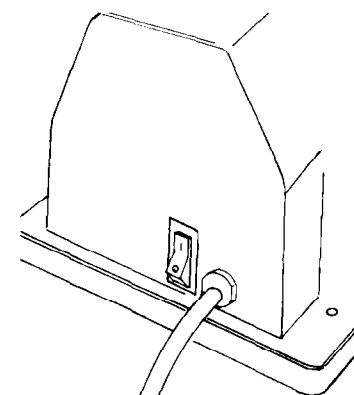
**When water bottle empties during use:** Pressurized air is expelled through dispenser when water bottle is empty.

1. Stop dispensing from the refrigerator.



2. Press the switch on the water pump to the "O" position.

3. Remove bottle cap from water bottle. Replace empty water bottle. Attach bottle cap to full water bottle.



4. Press the switch on the water pump to the "I" position.

**If water bottle empties while unattended,** the pump will run for 2-1/2 minutes and then automatically shut off.

1. Press the switch on the water pump to the "O" position.

2. Remove bottle cap from water bottle. Replace empty water bottle. Attach bottle cap to full water bottle.

3. Press the switch on the water pump to the "I" position.

**If water system is exposed to temperatures below 0°C (32°F),** the system must be drained.

Remove tube from bottle. Open all outlets and run pump to inject air through all outlets.

**Cleaning and sanitizing system:** System should be cleaned after extended periods of non-use.

1. Add one-half teaspoon of chlorine bleach to one gallon of water.

2. Insert tube into solution and start pump.

3. Open all outlets to fill system with solution. Let stand five minutes.

4. Flush system with water until chlorine is removed.

# Troubleshooting

Problem	Cause	Solution
Water pump cycles on and off:	Water leaks at one or more outlet connectors.	<ul style="list-style-type: none"> <li>• Check all fittings and water pump connections for leaks.</li> <li>• Push in connector and remove tubing. Cut off 1.3cm (1/2") of tubing and reinsert into connector.</li> <li>• Do Not cut water bottle to pump tubing.</li> </ul>
Water pump does not run:	Electrical power not being supplied.  Water bottle is empty.	<ul style="list-style-type: none"> <li>• Check that power supply cord is plugged into outlet.</li> <li>• Check if circuit breaker has tripped or if fuse has blown.</li> <li>• Check to see if water bottle is empty. Replace water bottle according to instructions.</li> <li>• Press switch on the water pump to "O" position. Then press the switch to the "I" position to reset motor timer.</li> </ul>
Water pump operates continuously until motor timer stops motor:	Water bottle is empty.	Replace water bottle according to instructions.
Air in system.	Air leak in water bottle to pump tubing.	<ul style="list-style-type: none"> <li>• Check that tubing in water bottle is touching bottom of bottle. If tubing is too high, it will take in air.</li> <li>• Check that tubing is tightly pushed in place inside water pump connector.</li> </ul>

## If you need service...

Call your authorized Whirlpool International Distributor or their appointed dealer or service company. When you call, you will need the pump model number which is located on the serial/rating plate on the base of the pump.

## Pure Delivery Water Pump Warranty

Length of Warranty	Whirlpool Will Pay For:
<b>ONE YEAR FULL WARRANTY</b> From date of purchase.	Replacement parts and repair labor to correct defects in materials or workmanship. Service must be provided by an authorized Whirlpool International distributor or their appointed dealer or service company.
<b>Whirlpool Will Not Pay For:</b>	
<b>A.</b> Service calls to: <ol style="list-style-type: none"> <li>1. Correct the installation of the pump.</li> <li>2. Instruct you how to use the pump.</li> <li>3. Replace house fuses, circuit breakers or correct house wiring.</li> </ol> <b>B.</b> Repairs when pump is used in other than normal use. <b>C.</b> Damage resulting from accident, alteration, misuse, abuse, improper installation or installation not in accordance with local electrical codes.	

Whirlpool does not assume any responsibility for incidental or consequential damages.



Part No. 4373526  
© 1992 Whirlpool Corporation

Prepared by Whirlpool Corporation, Benton Harbor, MI 49022

Printed in U.S.A.

## Free Manuals Download Website

<http://myh66.com>

<http://usermanuals.us>

<http://www.somanuals.com>

<http://www.4manuals.cc>

<http://www.manual-lib.com>

<http://www.404manual.com>

<http://www.luxmanual.com>

<http://aubethermostatmanual.com>

Golf course search by state

<http://golfingnear.com>

Email search by domain

<http://emailbydomain.com>

Auto manuals search

<http://auto.somanuals.com>

TV manuals search

<http://tv.somanuals.com>