

EXTREME SERIES OWNER'S MANUAL

FOR:
Platinum 4000
Platinum 8000
8000ti

*Whisper***KOOL**[™]
The Coolest Thing In Wine Storage

Copyright © 2011. WhisperKOOL. All rights reserved.

This manual, the product design, and the design concepts are copyrighted by WhisperKOOL, with all rights reserved. Your rights with regard to the hardware and manual are subject to the restrictions and limitations imposed by the copyright laws of the United States of America. Under copyright laws, this manual may not be copied, reproduced, translated, transmitted, or reduced to any printed or electronic medium or to any machine-readable form, for any purpose, in whole or in part, without the written consent of WhisperKOOL.

Every effort has been made to ensure that the information in this manual is accurate. WhisperKOOL is not responsible for printing or clerical errors.

WhisperKOOL reserves the right to make corrections or improvements to the information provided and to the related hardware at any time, without notice.

Vinothèque and WhisperKOOL are registered trademarks, and ECE is a trademark of WhisperKOOL. All rights reserved.

Mention of third-party products is for informational purposes only and constitutes neither an endorsement nor a recommendation. WhisperKOOL assumes no liability with regard to the performance or use of these products.

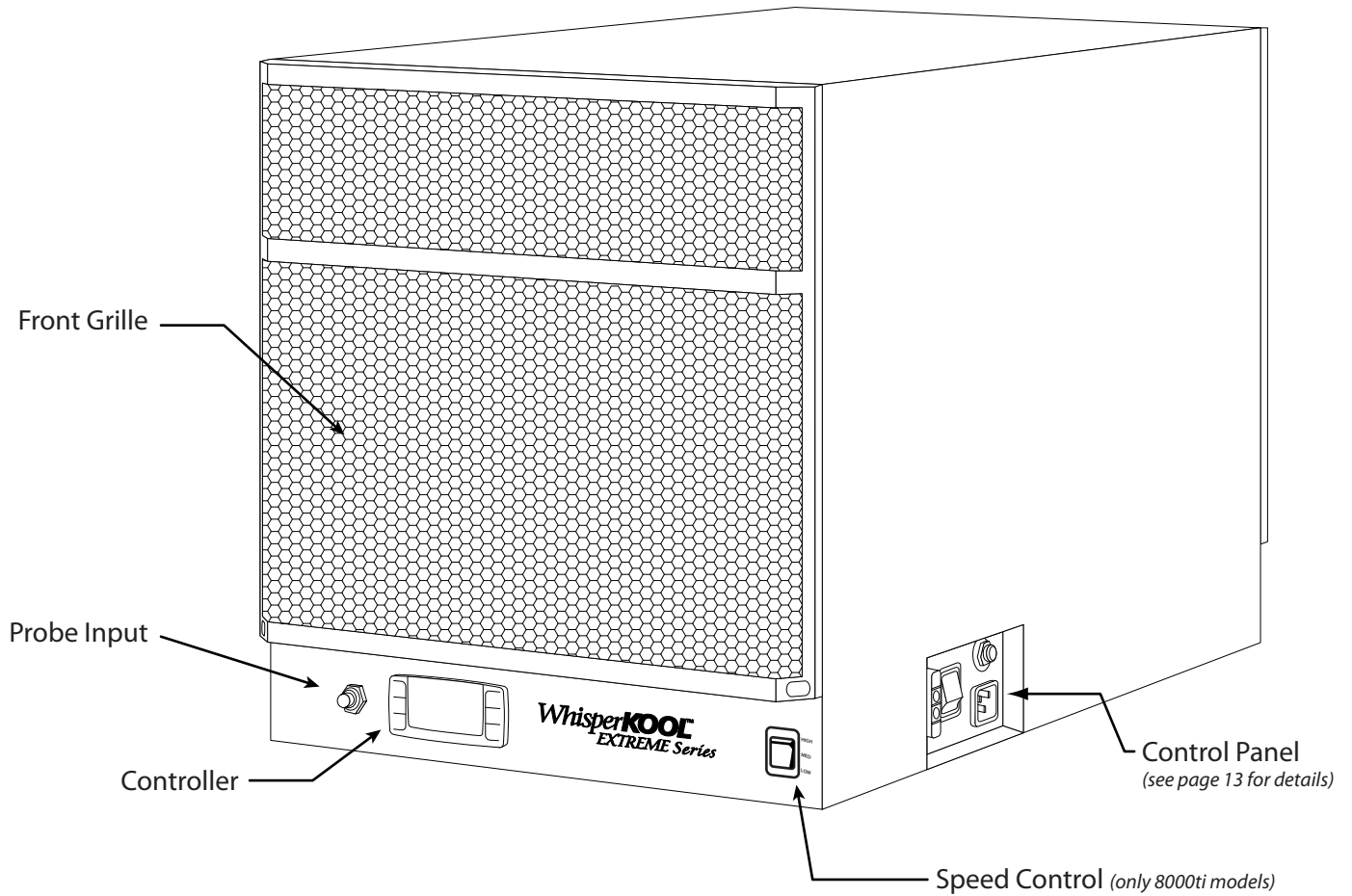
TABLE OF CONTENTS

WhisperKOOL Extreme Series Quick Reference Guide	4
Controller Quick Reference Guide.	5
Introduction	6
Receiving & Inspecting The Unit	7
Quick Start Guide	8
Preparing the Wine Cellar	9
Installation	14
Through-The-Wall Installation	15
Installation Options	18
Ducted Installation.	19
Standard Ducted Installation	21
Liquid Measuring Thermostat System.	23
Remote Controller	24
Variable Speed Control.	26
System Operation: Standard and Remote	27
Control Panel Features and Operation	28
Maintenance Schedule.	31
Troubleshooting Guide.	32
Technical Assistance	34
Accessories for Cooling Unit.	34
Installation Terms and Conditions	35

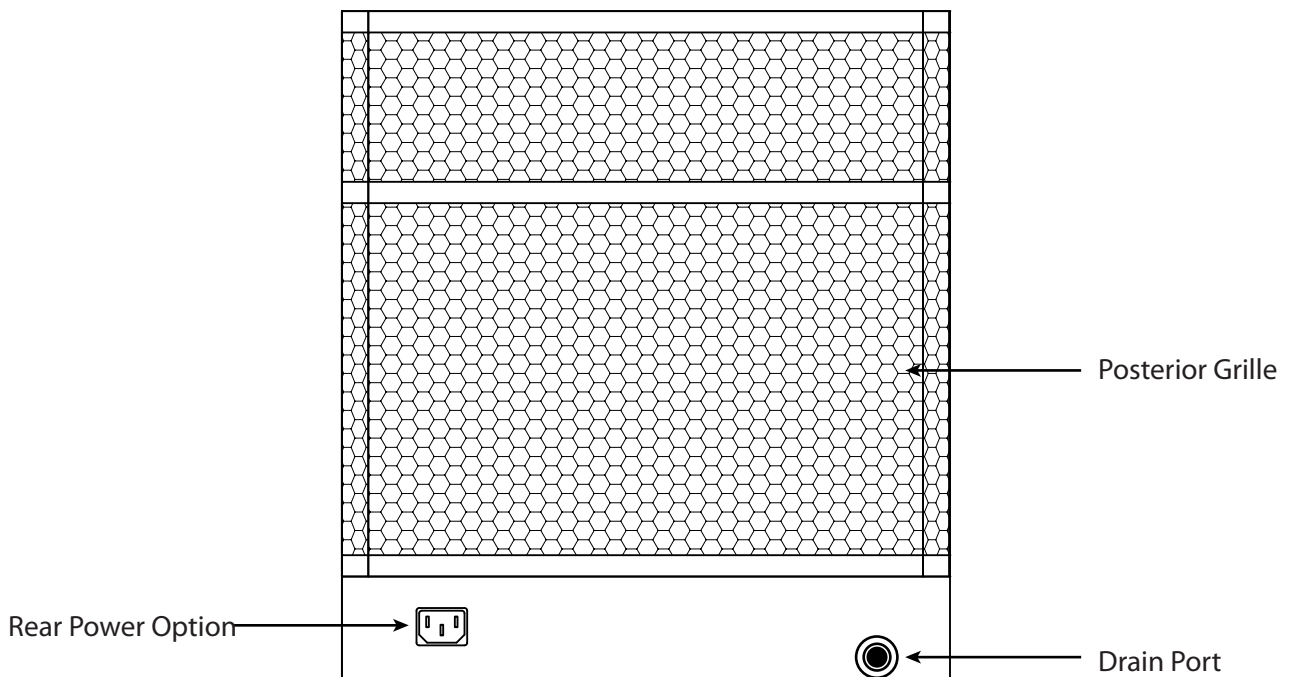
We manufacture, test and certify 100% of our wine cooling units in the USA. By sourcing the best components and closely controlling our manufacturing processes, we can assure the highest-quality, lowest defect manufacturing rates in the industry.

WHISPERKOOL Series QUICK REFERENCE GUIDE

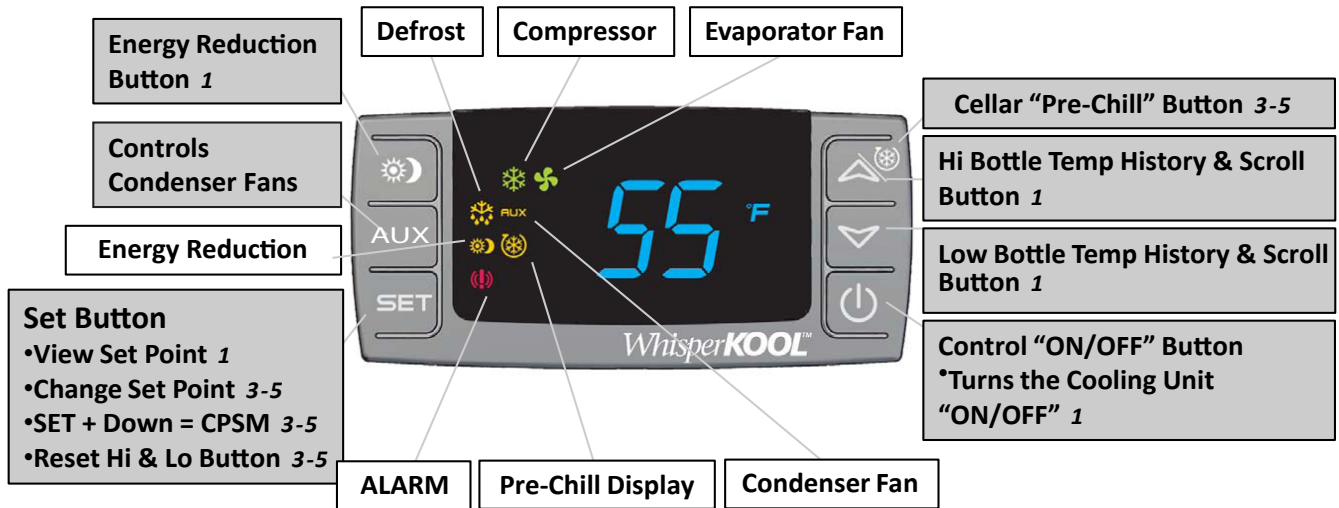
Front / Side View



Rear View



CONTROLLER QUICK REFERENCE GUIDE



Note: The 1 or 3-5 qualifies the amount of time in seconds that the button must be pushed to activate the feature.

FAN SPEED REFERENCE

(Extreme 8000ti only)

Your fan speed will depend on thermal load on the wine cellar, and resulting BTU that is required to cool and maintain your wine cellar at the desired temperature.

Speed	CFM	DBA Evaporator/Condenser	BTU
Low	274	57/57	5216
Medium	318	59/59	5606
High	333	60/61	5973

* To get a feeling for decibels, a food blender at 3ft is 90 dBA, garbage disposal at 3ft 85 dBA, vacuum cleaner at 10ft is 75 dBA, normal speech at 3ft 79 dBA, dishwasher in the next room 55dBA, Quiet night 35dBA

INTRODUCTION

Customer Service

Thank you for purchasing a WhisperKOOL Extreme Series cooling unit. We strive to provide the highest quality products and the best possible customer service. If you have any questions about your WhisperKOOL unit, please call us at 1(800) 343-9463.

Using the Manual

This User's Manual is intended to assist in the proper installation and maintenance of the WhisperKOOL Extreme cooling system. In order to ensure the longevity of your cooling unit, the equipment should be installed properly and have a proper care and maintenance schedule. Please read and review this manual carefully and keep it for future reference.

What Is the WhisperKOOL Extreme Series Cooling System?

The WhisperKOOL Extreme Series system is a specialized refrigeration unit designed for one purpose only: to maintain the optimal temperature and humidity levels conducive to the proper storage and aging of fine wines. It is a self-contained cooling unit designed to be used as a forced-air through-the-wall unit or as a remote mount unit with external ductwork connections.

How Does the WhisperKOOL Extreme Series Work?

The WhisperKOOL Extreme Series cooling system is especially designed for the use and application to maintain optimal conditions for wine storage and aging. The system is fully self-contained and can be installed as a "Thru-The-Wall" application, or the unit is capable of an even more flexible "Ducted" application, which allows the unit to be placed in an indoor remote site, resulting in a quiet airflow. The standard "Through-the-Wall" and ducted units are temperature controlled via a bottle probe, and the ducted system comes standard with a remote key board that can be located up to 50 ft from the cooling system (Note: Remote Unit comes standard with a 50 ft cord and remote keypad, additional lengths are optional).

Temperature Setting

The WhisperKOOL Extreme unit can be set at any temperature within the acceptable wine-aging range of 50°F to 67°F. It is designed to cool 55°F cooler than the ambient temperature of the space to which it is exhausting.

Model	4000 Platinum	8000 Platinum	8000ti
Cellar Size	1000 cu. ft.	2000 cu. ft.	up to 2000 cu. ft.
Dimensions	14.25"W x 15.75"H x 25.5"D	14.25"W x 22.5"H x 27.5"D	14.25"W x 22.5"H x 27.5"D
Weight	85lbs	110lbs	110lbs
AMPS (starting/running)	32/9	36/10	36/10
dBA	67	66	57 low 59 med 61 high
Installation	Through-the-Wall, partially ducted, fully ducted		
Thermostat	Digital Control Display		
Temp. Delta	55°F temperature differential (maintains proper cellar temperature when exhaust environment does not exceed 110°F)		
Outside Venting	Can be done if the outside temperature does not exceed 110°F, the external grille cover is highly recommended.		
Ducting Options	Unit can be fully ducted.		
Warranty	2 year parts and labor / 5 year compressor		

RECEIVING & INSPECTING THE UNIT

Customer Warranty Registration

PLEASE COMPLETE AND RETURN THE WARRANTY CARD UPON RECEIPT OF THE UNIT.

By completing the Product Registration Card, you will be confirmed in our customer database ensuring that your information is on file to help you obtain efficient warranty service.

Please refer to pages 35 - 37 for complete terms and conditions, warranty guidelines, and policy for your WhisperKOOL Extreme Series cooling unit.

Receiving and Inspecting the Unit

- Lift only at the designated handhold locations on the shipping container or fully support the unit from underneath. A shipment may include one or more boxes containing accessories.
- Before opening the container, inspect the packaging for any obvious signs of damage or mishandling.
- Write any discrepancy or visual damage on the Bill of Lading before signing.
- Place the box containing the WhisperKOOL unit on a tabletop to prepare it for testing prior to installing.
- Sit upright for 24 hours.

Note: WhisperKOOL Extreme units are manufactured in the USA and tested prior to shipment.

Review the Packing Slip to Verify Contents

- Check the model number to ensure it is correct.
- Check that all factory options ordered are listed.

If any items listed on the packing slip do not match your order information, contact WhisperKOOL Customer Service immediately.

Check the Accessory Kits for the following contents:

Kit One:

- WhisperKOOL Extreme Series User's Manual
- Registration / Warranty Card

Kit Two:

- Power Cord
- Standard Screws (9)
- Self-Tapping Screws (9)
- Drain Line tube (1), Connection "T" (1), and Clamp (1)
- Mounting Flange Pieces (4)
- Bottle Temperature Probe (Standard Unit)
- Insulation Foam (4 strips)

Please leave the WhisperKOOL unit in its original box until you are ready for installation. This will allow you to move the product safely without damaging it. When you are ready to remove the product from the box, refer to page 14 for installation instructions.

Note: Save your box and all packaging materials. They provide the only safe means of transporting/shipping the unit.

QUICK START GUIDE

This guide is meant to serve as a quick reference for installation of the WhisperKOOL unit. The remainder of this Owner's Manual will provide more detailed information and instructions.

Upon receiving the WhisperKOOL unit:

1. **Inspect the unit before installation.** If damage is found, please contact your distributor or WhisperKOOL Customer Service at 1.800.343.9463 ext 799.
2. The unit should **remain in an upright position for 24 hours** prior to operation.
3. The WhisperKOOL unit **requires a dedicated 110-volt 20-amp circuit** (or 220-volt depending on the unit). Use a surge protector with the WhisperKOOL unit. **Do not use a GFI** (Ground Fault Interrupter) line.
4. For your convenience, the Whisperkool unit has two power sockets, one on the side of the unit and the other on the back. Both sockets come covered. **Remove the cover from only the desired power socket** in order to plug the unit in.
5. The unit is designed to gently cool down the temperature of the cellar over time by cycling cooler and cooler air throughout. **Test the unit prior to installation.** Operate unit for twenty minutes. While the unit is running and working properly, **the air discharged from the front should be 10 - 15°F cooler than the air** in the room. This means that in an environment where the air is 80°F, the unit will discharge air that is 65-70°F.
6. It is **REQUIRED to install the drain line** to remove excess condensation from the unit.
7. The WhisperKOOL unit is intended **for use in properly designed and constructed wine cellars.** Hire a professional wine storage consultant with a valid contractor's license to build your wine cellar. Refer to the "How to Build a Wine Cellar" video available on the Whisperkool website at www.whisperkool.com.
8. Install the foam strips along the inside edge of the unit's flange to assure a proper seal against the wall.

Never try to open the WhisperKool unit, repair it yourself, or use a service company without WhisperKool's authorization. This will void your warranty.

If you encounter a problem with your WhisperKool unit, please refer to the Troubleshooting Checklist on pages 32-33. If you have any further questions, concerns, or need assistance, please contact WhisperKool Customer Service at 1.800.343.9463 ext. 799. Please be sure all testing has been completed prior to contacting Customer Service. Please have your results ready for your representative.

PREPARING THE WINE CELLAR

The performance and life of your WhisperKOOL unit are contingent upon the steps you take in preparing the wine cellar.

Note: Improperly preparing your enclosure or incorrectly installing your WhisperKOOL unit may cause unit failure, leaking of condensation, and other negative side effects.

IT IS HIGHLY RECOMMENDED THAT YOU OBTAIN THE ASSISTANCE OF A WINE STORAGE PROFESSIONAL.

Wine storage professionals work with licensed contractors, refrigeration technicians, and racking companies to build well-insulated, beautiful, and protective wine cellars. WhisperKOOL has put together some useful tips to assist in the installation process. Our recommendations are meant to act as a guide in the process of building a proper enclosure. Your intended location may have specific needs that we do not address.

Wall & Ceiling Framing

Build wine cellar walls using standard 2x4 or 2x6 construction methods and ceiling joists following the guidelines of local and state codes in your area. As a general rule, the thicker the walls and the higher the insulation factor in your cellar, the better it will be at maintaining a consistent temperature.

Insulation

Insulation is **REQUIRED** with the use of the WhisperKOOL product. Standard fiberglass or rigid foam insulation is normally used in cellar construction or, in some cases, "blown-in" insulation is used. It is very important that all walls and ceilings are insulated to keep the cellar temperature as consistent as possible during the summer and winter months. The R-factor, or quality of insulation, is determined by the rate at which heat passes through the insulation. The higher the R-factor, the more resistant the insulation is to conducting heat. Using higher R-values in insulation will lower your operating costs and unit run time.

Vapor Barrier

Vapor Barrier is **REQUIRED** to prevent the intrusion of water vapor so that the cellar can be kept at the correct temperature and humidity. 6 mm plastic sheeting (recommended) should be applied to the warm side of the cellar walls. The vapor barrier must also be applied to the outside walls and ceiling. If it is impossible to reach the outside, then the plastic must be applied from within the cellar. The most common method is to wrap the entire interior, leaving the plastic loose in the stud cavity so the insulation can be placed between each stud. All of the walls and ceiling must be wrapped in plastic for a complete vapor barrier.

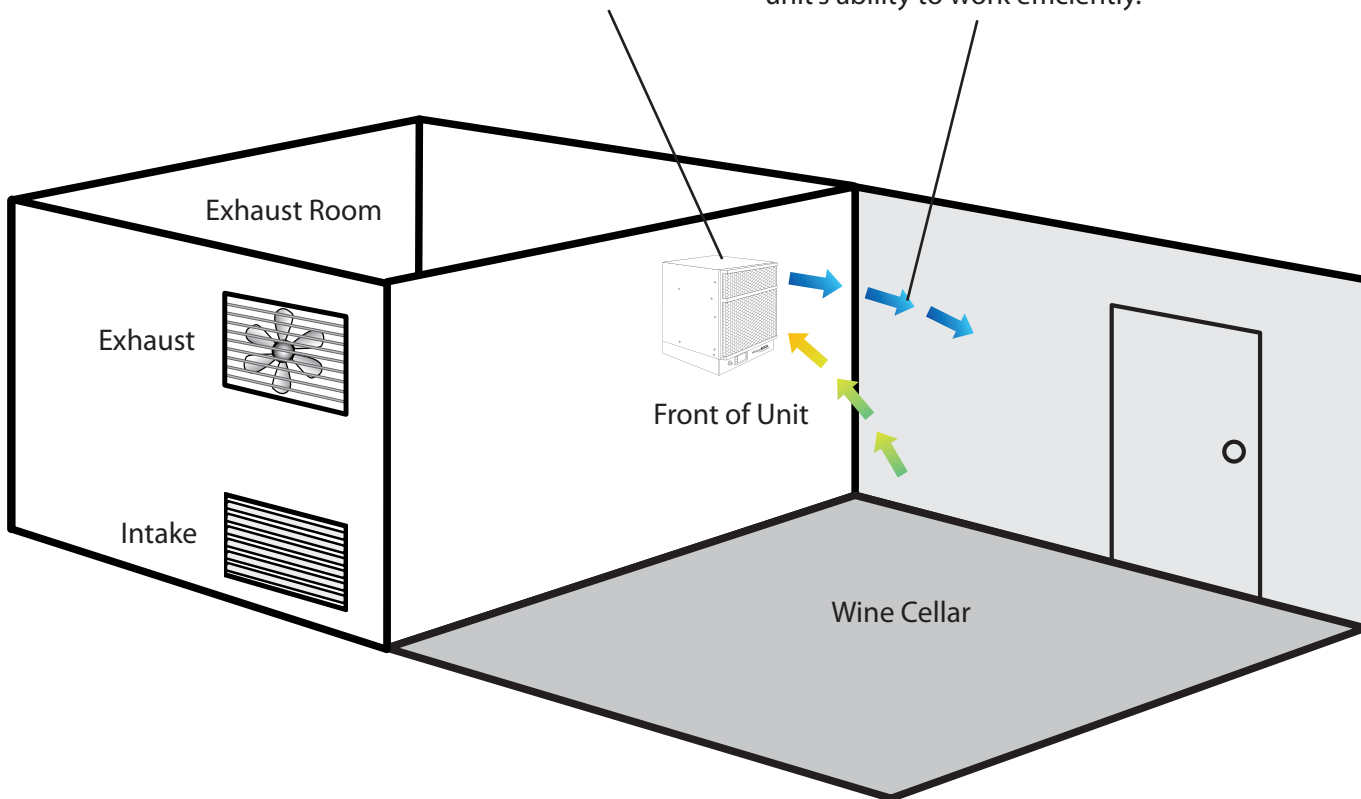
In areas of high humidity, such as Southern and Gulf States, the vapor barrier will prevent infiltration of warm moist air. The moist air can cause mold to form, and standing water in drain pans promote microbial and fungal growth that cause unpleasant odors and indoor air quality problems. If mold is found, remove it immediately and sanitize that portion of the unit.

Mounting the Unit

The unit should be mounted within 18" of the top of the room in order to achieve sufficient cooling. As the room cools down, the warm air will rise to the ceiling. Mounting the WhisperKOOL high in the room will create a consistently cool environment by capturing the warm air and replacing it with cool air. Mounting the unit low in the room will result in a temperature variation in the room due to the unit's inability to draw warm air from the ceiling of the cellar to the unit itself.

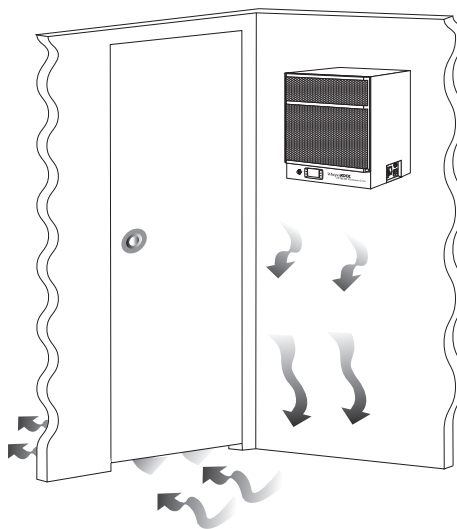
Unobstructed Airflow

Unobstructed airflow to and from the unit is a critical factor in the unit's overall performance. Make sure there is a three-foot clearance in the front of the unit, as fans blow down at an angle and should not be obstructed by racking. Make sure there is a minimum three-foot horizontal clearance from the rear of the unit as well. This will assure that the unit can move the air around in an efficient manner. Avoid the attempt to camouflage the unit by installing racking in front of the unit. This will restrict airflow and thus the unit's ability to work efficiently.



Door and Door Seal

An exterior grade (1 3/4") door must be installed as a cellar door. It is very important that weather stripping is attached to all 4 sides of the doorjam. A bottom "sweep" or threshold is also required. The door must have a very good seal to keep the cool cellar air from escaping out of the cellar. One of the most common problems with cooling units running continually is due to the door not sealing properly. **In cases where glass doors are used and the room size is close to the recommended unit size, the next larger size WhisperKOOL should be used.** This will compensate for the insulation loss due to the lower insulating rating of glass.

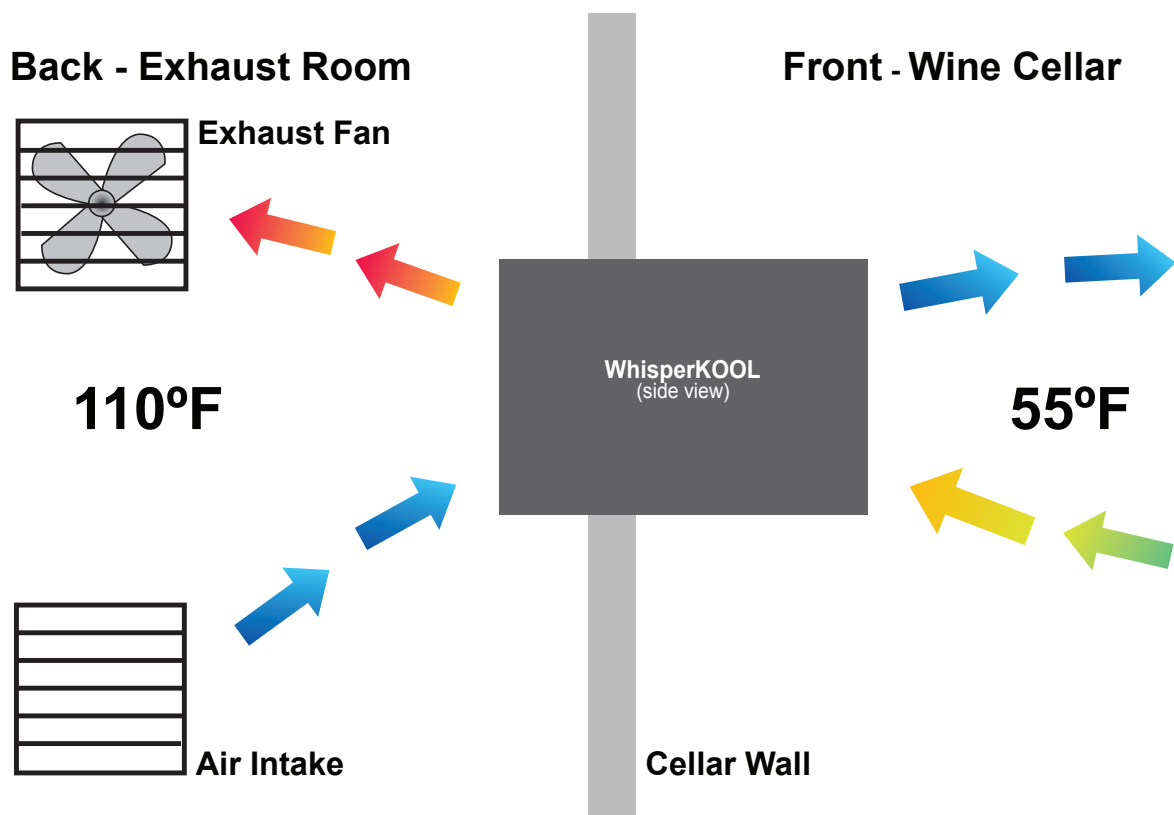


Ventilation

The necessity of dissipating heat away from the unit is critical to the unit's performance and cannot be overstated. As the unit operates and cools, a greater amount of heat is generated on the exhaust side of the unit. Adequate ventilation is required in order to dissipate heat away from the unit. If ventilation is inadequate, the exhaust will heat up and adversely affect the unit's ability to cool. In some cases, it may be advisable to install a vent fan to dissipate heat within the exhaust area on the backside of the unit. However, you must have a fresh air inlet as well. If your unit requires ducting, please contact WhisperKOOL Customer Service to obtain a specially designed ducting accessory kit for the unit. **Using any other ducting system will void the warranty.**

Ambient Temperature Factor

The cooling system has the ability to cool efficiently to 55°F as long as the ambient temperature of the area that it is exhausting to does not exceed 110°F. Therefore, you want to exhaust the unit in a room which will not exceed 105°F. Otherwise the unit will not have the capacity to keep the wine at a desirable 55°F.



How to Build a Wine Cellar Instructional Video

WhisperKOOL has a construction tutorial available on line at our website: www.whisperkool.com. This tutorial will walk you through the steps of constructing a properly built wine cellar and the installation of our WhisperKOOL product line.

Sizing the Unit to the Room

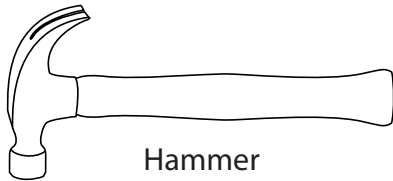
Model	Cellar Volume (cubic feet)	AMP's (starting)	AMP's (running)	Product Dimensions (W x H x D)
4000	1000	32	9	14.25" x 15.75" x 25.5"
8000	2000	36	10	14.25" x 22.5" x 27.5"
8000ti	2000 high	36	10	14.25" x 22.5" x 27.5"
8000ti	1000 med	36	10	14.25" x 22.5" x 27.5"
8000ti	500 low	36	10	14.25" x 22.5" x 27.5"

Cutting the Hole for the WhisperKOOL Unit

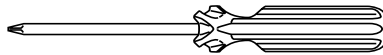
Tools Needed



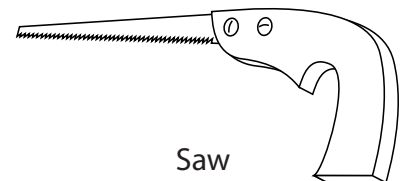
Level



Hammer

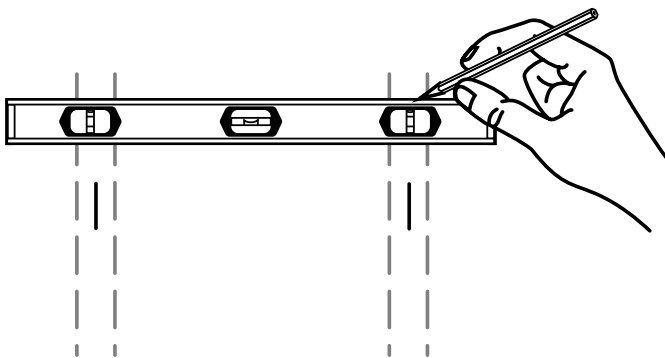


Screwdriver



Saw

Locate the desired installation location. Using a stud finder, locate the studs on either side of the center point, and mark them with vertical lines.



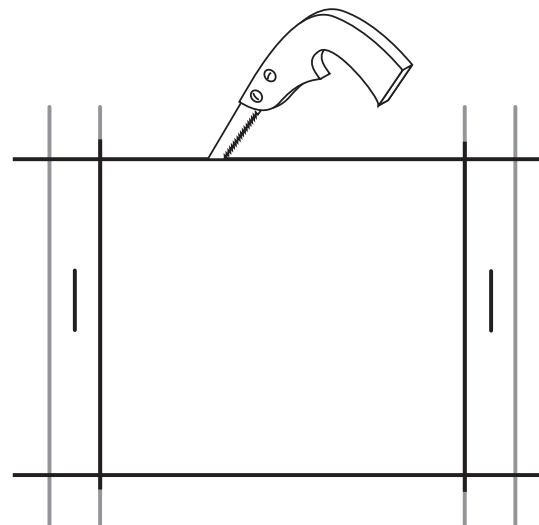
Mark the horizontal lines with a level

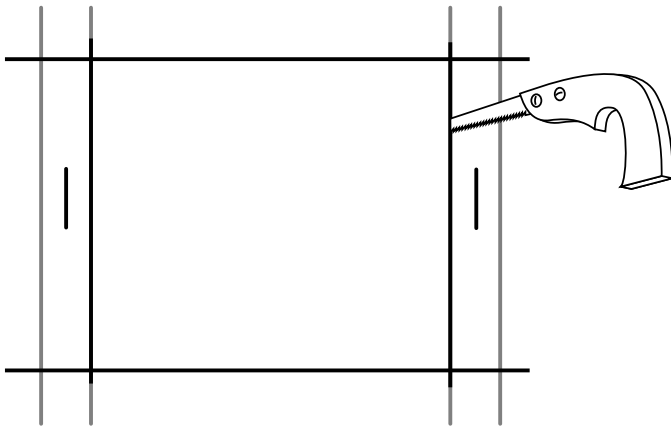
Using a level and a pencil, mark a horizontal line on the wall between the two studs, approximately 1.25" (or as close as possible if more than 1.25") from the ceiling.

Using a ruler or measuring tape, measure 16" down, and mark another horizontal line parallel to the first one.

Using a saw, cut along the uppermost horizontal line until your saw reaches the stud. Turn the saw around, inserting it into the cut you have just made, and cut toward the opposite stud so that you have a clean horizontal cut between the two studs. Be careful not to cut into the studs themselves.

Now make the second horizontal cut from stud to stud on the line 16" below the first cut.

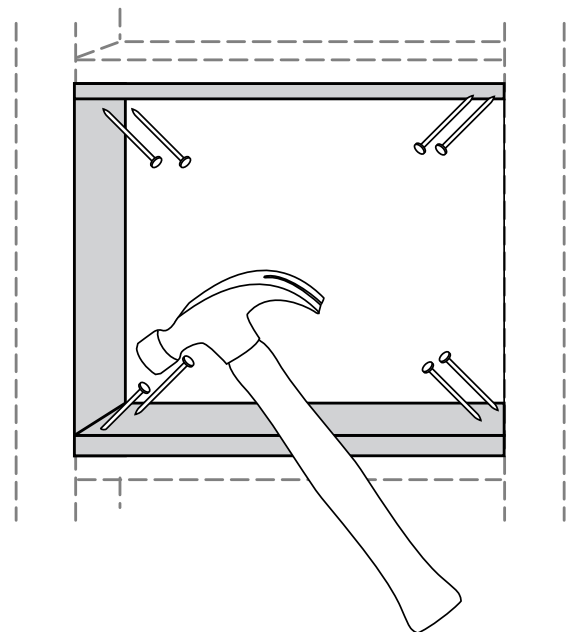




Once the horizontal lines have been cut, make vertical cuts using the inside edge of the studs as a guide. Once you have made both vertical cuts, you should have a rectangular hole in the sheetrock. Now you have to make the same hole on the other side of the wall. Since you already have one hole, this is an easy process. Using a nail, mark all four corners of the first hole by making nail holes through the sheetrock. Then on the other side of the wall, connect the holes with a pencil mark and cut.

Sheetrock alone cannot support the weight of a 65-pound (or more) cooling system. Therefore, it is necessary to frame the hole that you have just cut with upper and lower supports.

Using two 2x4s at 14.5" in length and eight 6d nails, secure the upper and lower supports to the right and left studs, just inside the sheetrock. Make sure that the internal height remains at 16" so that the WhisperKOOL system will fit snugly through the framed cut-out.



Frame the hole with two-by-four supports

INSTALLATION

TEST THE UNIT PRIOR TO INSTALLATION

To prepare it for testing before installation in wall:

- Unit need to be in the upright position for 24 hours before starting.
- Remove unit from box
- Place unit on tabletop
- Plug in unit to electrical outlet
- Plug in bottle sensor
- Turn on to test (Should be 12°F across coils) approx. 20-30 minutes
- Turn off after test
- Remove bottle sensor

Electrical Needs

The WhisperKOOL Extreme System requires a dedicated 115-volt 20-amp circuit. The unit draws a large amount of amps at initial start up. By designating a dedicated circuit breaker, you will guarantee the unit has enough power to run effectively. Contact an electrician for assistance with the installation of this dedicated electrical circuit:

1. Match the electrical outlet to the plug provided on the WhisperKOOL unit.
2. Provide a dedicated circuit and wiring for the unit.
3. Provide a weatherproof plug for units mounted outside.
4. Mount outside units at a height of 18" and provide overhead protection.

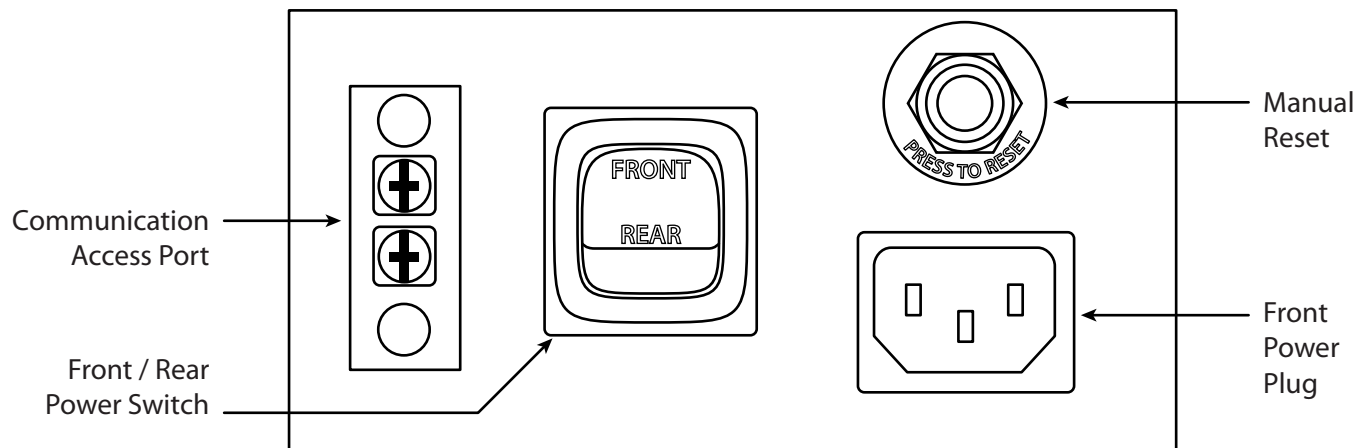
Electrical Outlet

The unit is equipped with two electrical outlets: one for the interior or cellar side and one for the exterior or outside of the cellar. There is a toggle switch located on the right side of the unit that indicates front (cellar side) and rear (exterior side). When placed in either position, power will come from that outlet only.

Plug your WhisperKOOL unit into a surge protector or power conditioner. As with any sensitive electrical equipment, the WhisperKOOL electrical equipment may be damaged by power surges and spikes. Power surges and spikes are not covered in the WhisperKOOL Extreme warranty.

WE RECOMMEND THAT YOU DO NOT USE A GROUND FAULT INTERRUPTER (GFI) WITH THIS PRODUCT.

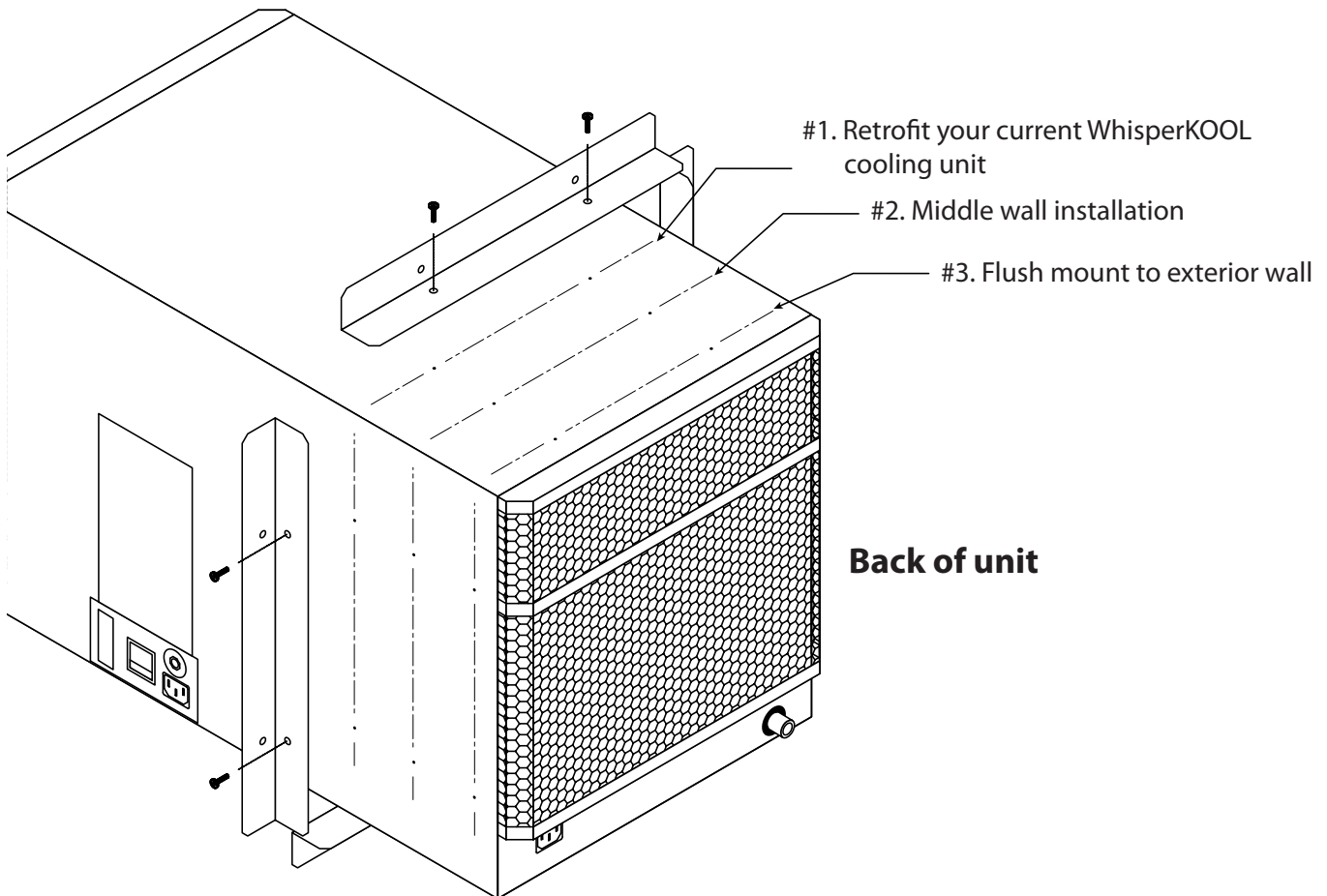
In case the unit should lose power, press the reset button and attempt to turn the unit back on. Check the home/main circuit breaker. If the unit does not respond properly, refer to the Troubleshooting section on page 32.



THROUGH-THE-WALL INSTALLATION (without ductwork)

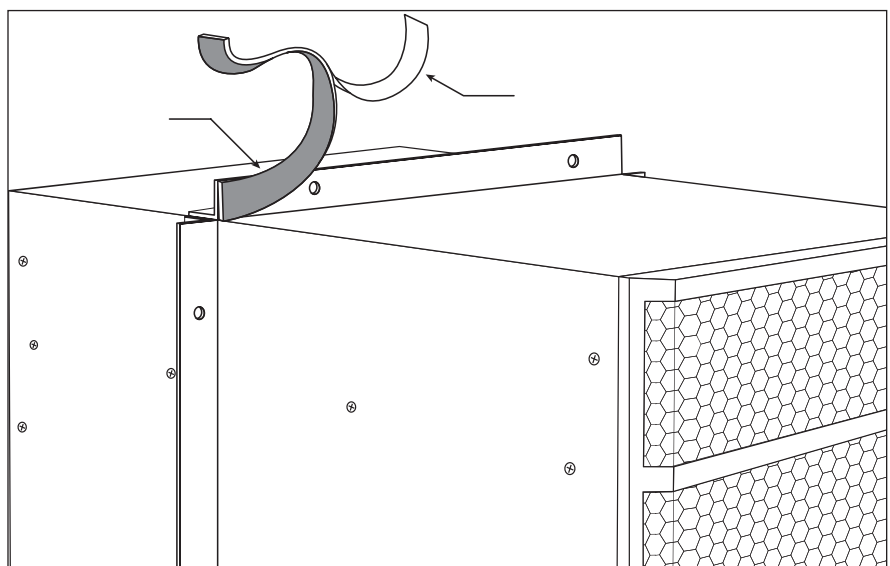
Mounting Flange Pieces

There are four individual pieces located in Kit 2 of your enclosed accessory kits. These flange pieces are designed to be used on the backside of the Extreme Series to mount to the exterior wall. There are three punch-outs located on the exterior of the housing. The punch-outs are designed for specific through-the-wall installation mounts. Please refer to the illustration for location of the punch-outs.



Applying Insulation Tape

Locate the four precut pieces of black foam tape included with the system. There should be two larger pieces and two smaller pieces. Once you have attached the flange pieces to the unit, peel back the white-paper adhesive covering and place on the corresponding size of flange. The large pieces are applied to the top and bottom of the unit and the smaller pieces to the right and left side flanges. This foam creates a tight seal between the flange and the wall.

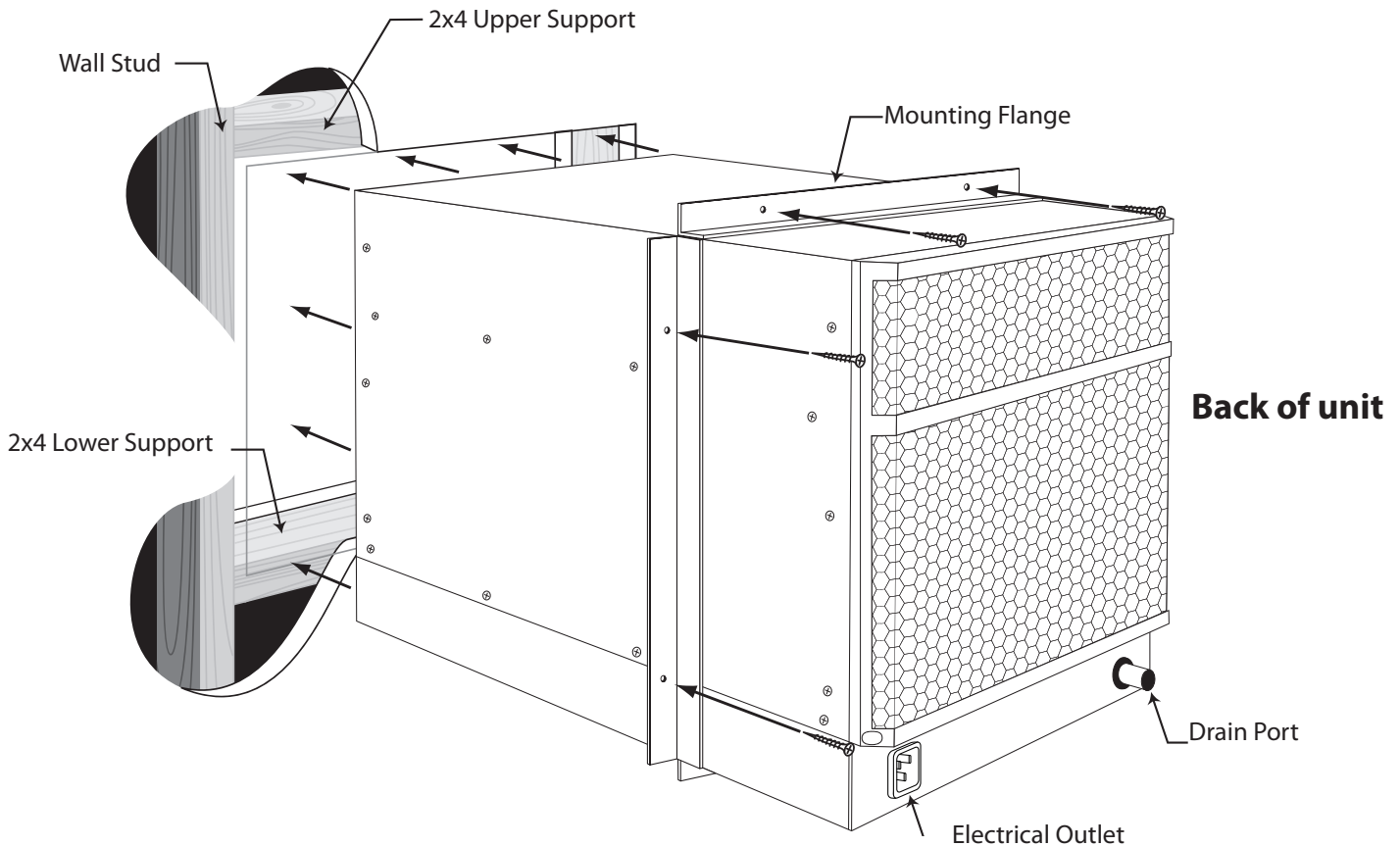


Placement of Unit

Slide the unit from either the inside or outside wall into your wine cellar with the outer flange flush to the wall. You will need to reverse the mounting flange depending on inside or outside use. Secure the flange to the wall through the pre-drilled holes. The screws should penetrate the studs as well as the upper and lower supports to provide adequate support for the WhisperKOOL system (see illustration). Seal all cracks and gaps around the WhisperKOOL Extreme unit with an air-tight sealant or caulking to prevent air leakage.

Note: If you use decorative molding, it should be attached to the walls and never to the cooling unit itself.

Note: The screws to the flange should not be cover in case the unit will need to be removed for servicing.



Location of Supply and Return Grilles

Locate the supply and return grilles inside the cellar to create an airflow pattern that maximizes air circulation in the room. Avoid short circulation of the air.

Do not:

- Install through-the-wall return air grilles at floor level, as they will collect dust from the floor.
- Mount the unit lower than 18" from the top of the room.
- Locate the supply or return air grille where it is blocked by bottles, boxes or cases.

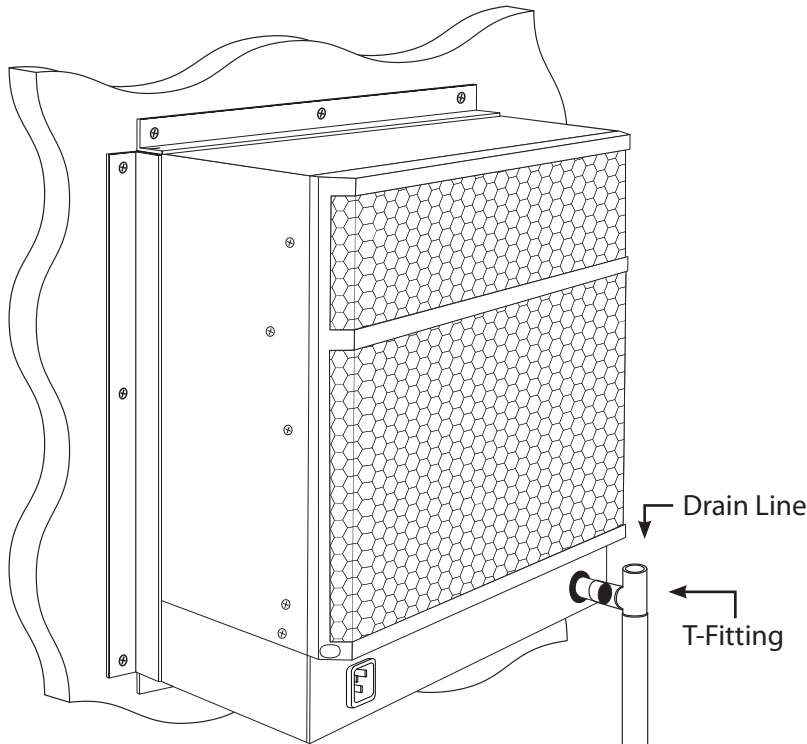
Liquid Measuring Thermostat System

To assure a consistent temperature, place bottle probe approximately 3 feet away from the air output and not in the flow of the air.

Condensation Drain Line Tube

The condensation drain line tube is used to remove excess condensation from the unit to a proper discharge location. It is important that the drain line tube is properly connected and used to prevent leakage and other problems associated with excess condensation.


Failure to use the condensation drain line tube will void the warranty on the unit.

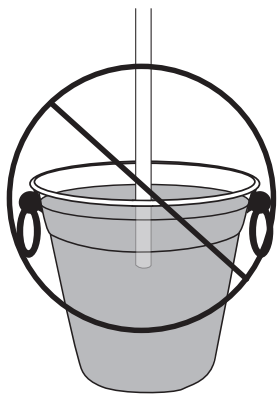


Drain Line

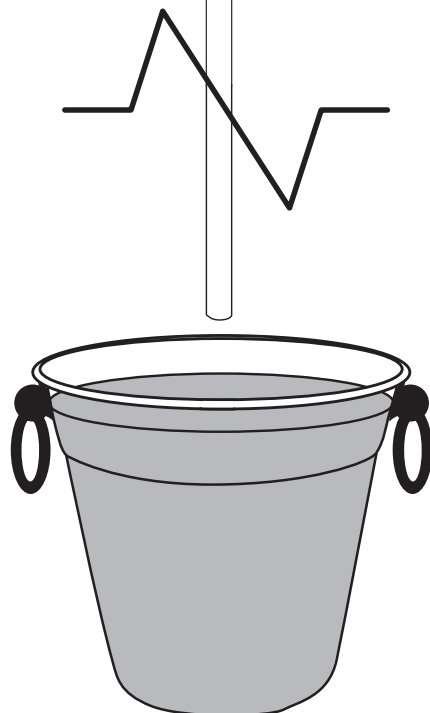
All units come with a drain line for additional removal of excessive condensate. It is mandatory to install the drain line attachment. During operation, the cooling unit will strip excess water from the air in order to maintain the proper level of humidity within the cellar. However in extreme humidity, additional condensate will be created. Conversely the high humidity air has less capacity to absorb additional moisture through the exhaust of the unit. Thus the drain line will prevent overflow and leaking by allowing for discharge of the additional condensate.

Failure to install the drain line voids warranty.

 **To prevent mold from growing, allow the drainline to hang above the water line.**



WRONG: Drainline is under water.



INSTALLATION OPTIONS

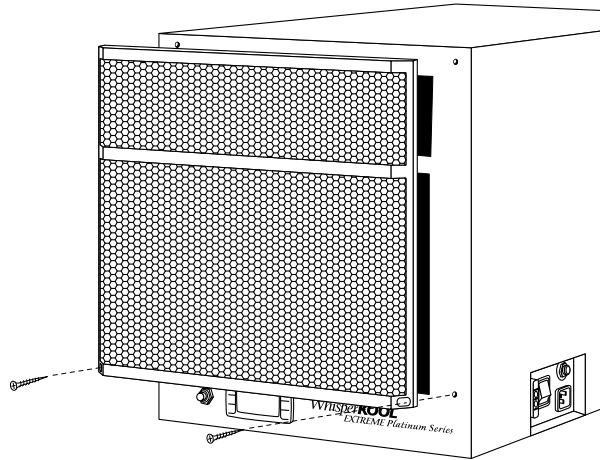
Exterior Grille Installation

The exterior grille is required on all installations where the condenser side of the unit is exposed to the outside of the dwelling (i.e. rain and weather).

The **Condenser Grille** must be removed.

STEP 1:

Locate the screws at the bottom of the grille and remove. Using medium force, push the grille upward and lift the grille away from the unit.



STEP 2:

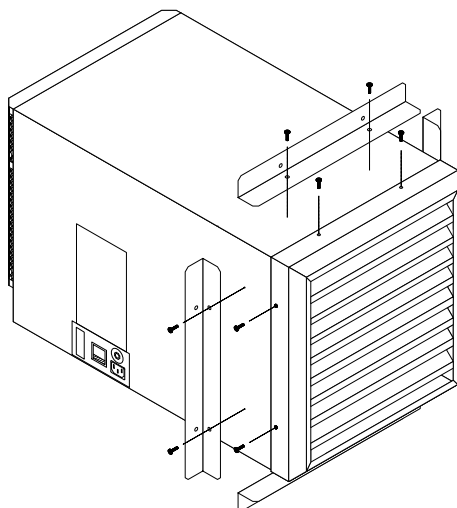
Remove Filter from Condenser Grille and place inside the Exterior Grille to protect the coils.

STEP 3:

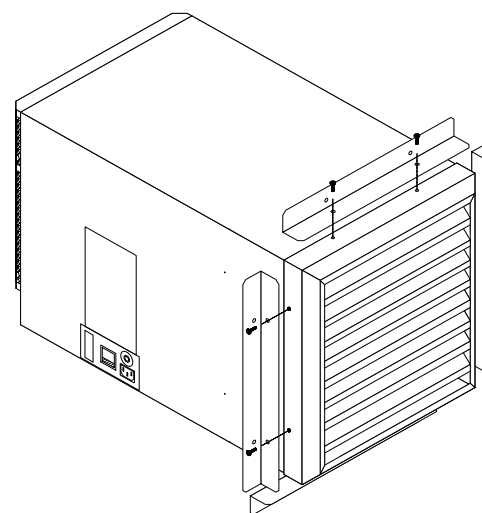
Now determine at what depth the unit will be installed:

- For a non-flush installation (i.e. holes location #1 WhisperKOOOL retrofit or #2 Middle Wall), place the grille on the condenser end and line up the holes on the grille with the holes on unit location #3. Use the 10 self tapping screws provided to fasten the grille to the unit.
- For a flush installation, place the grille on the condenser side and then place the mounting bracket over the grille sides, "stacking" them. Align the holes and fasten with the 10 self-tapping screws provided.

*** It is required to use self tapping screws provided. Do not drill screws into unit.**



Non-Flush Installation



Flush Installation

DUCTED INSTALLATION

Use ductwork to connect the unit to the supply and return outlets in the wine cellar. Use only insulated ductwork to minimize cooling losses, prevent sweating, and reduce noise.

Use ductwork on the condenser section to redirect or absorb sound, bring in outside air to the unit inlet, and/or exhaust the hot air.

Note: Do not exceed a total of 25' for each length of ductwork run and a total of 50' combined for both the supply and return lengths.

Avoid crimping the flexible ducts. This chokes down the inside area and reduces the airflow causing the unit to operate erratically.

Be sure all ducts and surfaces in contact with the airflow are insulated and have a vapor barrier on the outside.

Un-insulated ducts and surfaces cause bare, exposed metal surfaces to sweat, further degrading the insulation and equipment cooling capacity.

General Duct Recommendations

- Provide support for the flexible duct to prevent sags and bends.
- 4000 Extreme: Duct Size 8"
- 8000 Extreme: 8" Supply and 10" Return
- Stretch out the duct to make a smoother interior, which reduces air resistance.
- Maximum duct length is 25ft.
- For 90° bends, use a 90° adjustable elbow (EII).
- No more than two 90° bends on each duct. Recommend sweep 90° bends rather than sharp 90°.
- Do not squeeze or reduce the inside diameter of the ducts, which reduces airflow.
- Use short and straight ductwork where possible.
- Remove the grilles and panels from the openings to connect the ductwork.
- Check that all fan blades move freely.
- Keep air paths free of loose foreign objects and debris.
- Connect the round flexible ducts to the WhisperKOOL unit using the duct collars provided with the duct accessory kit.
- Pull the outer plastic wrapping and insulation away from the end of the duct to expose the reinforced inside duct liner.
- Fasten the duct collar using tie straps or clamps around the inside liner.
- Secure the duct collar to the unit using the screws provided. Take care to not damage or bend the gasket.
- Use approved duct tape to seal all joints.

Do not clamp around the outside insulation, as it will compress and loosen over time.

Cold Air to/from Wine Cellar

- Remove the supply air grille to install ductwork between WhisperKOOL unit and the cellar.
- Connect the supply air ductwork from the cellar to the supply air outlet adapter flange at the WhisperKOOL unit.
- Connect the return air ductwork from the cellar to the return air inlet adapter flange at the WhisperKOOL unit.

Warm Air to/from Exhaust Area

- Connect ductwork on the condenser to direct heat and air noise away from occupants.
- Connect ductwork to another space within the basement or out of the building if exhausted heat is undesirable.

DUCTED INSTALLATION cont.

STEP 1:

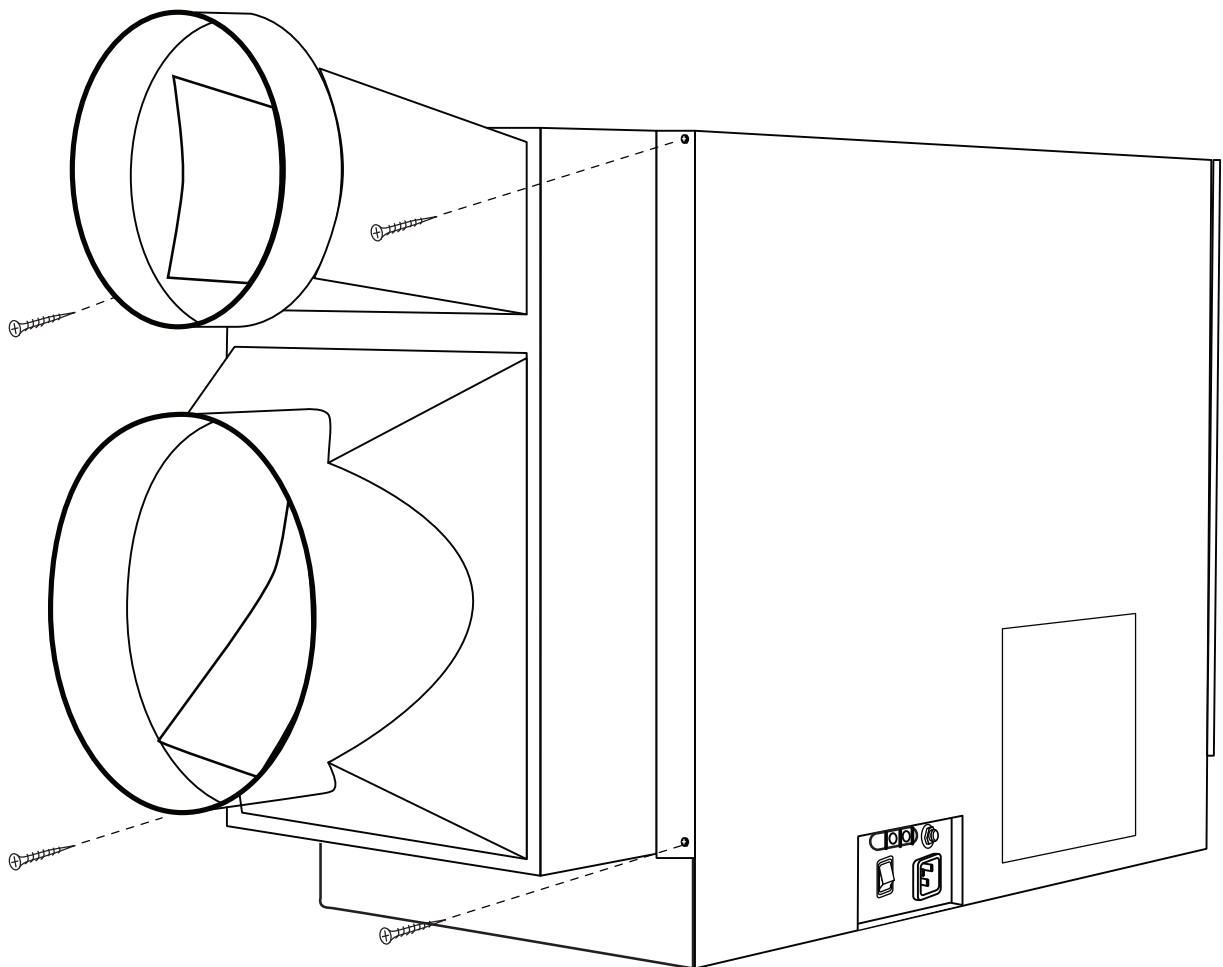
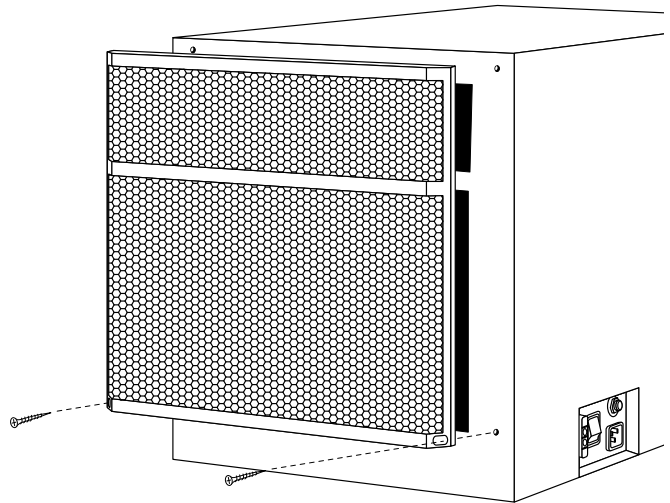
Remove the grill from the unit by unscrewing the screws that hold it in place.

STEP 2:

Move the Ducting Adapter into place

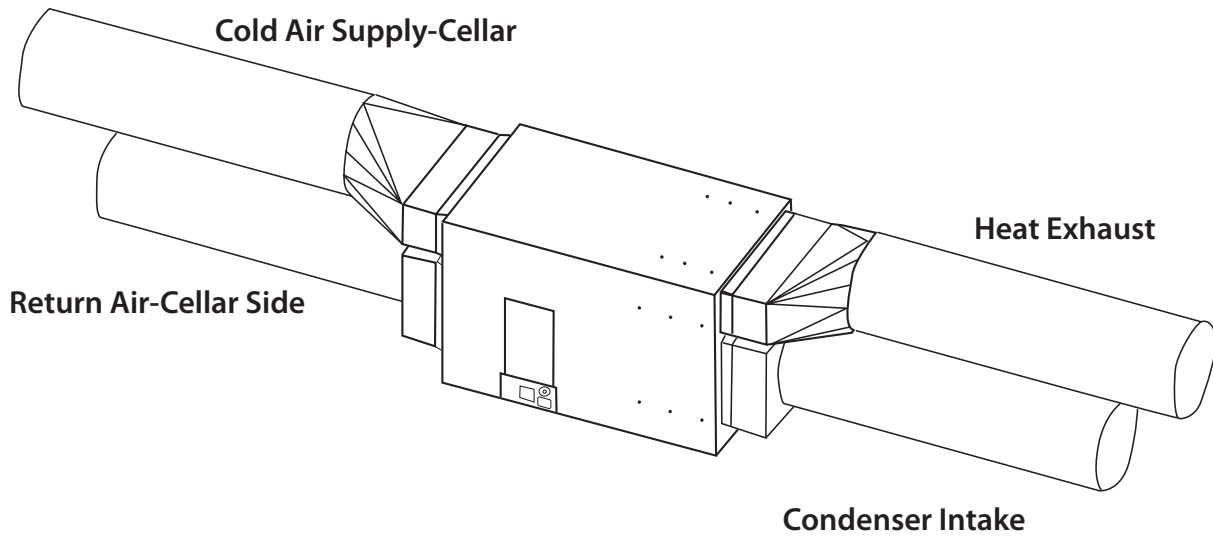
STEP 3:

Screw the ducting into place using the same screws that held the grill in place.



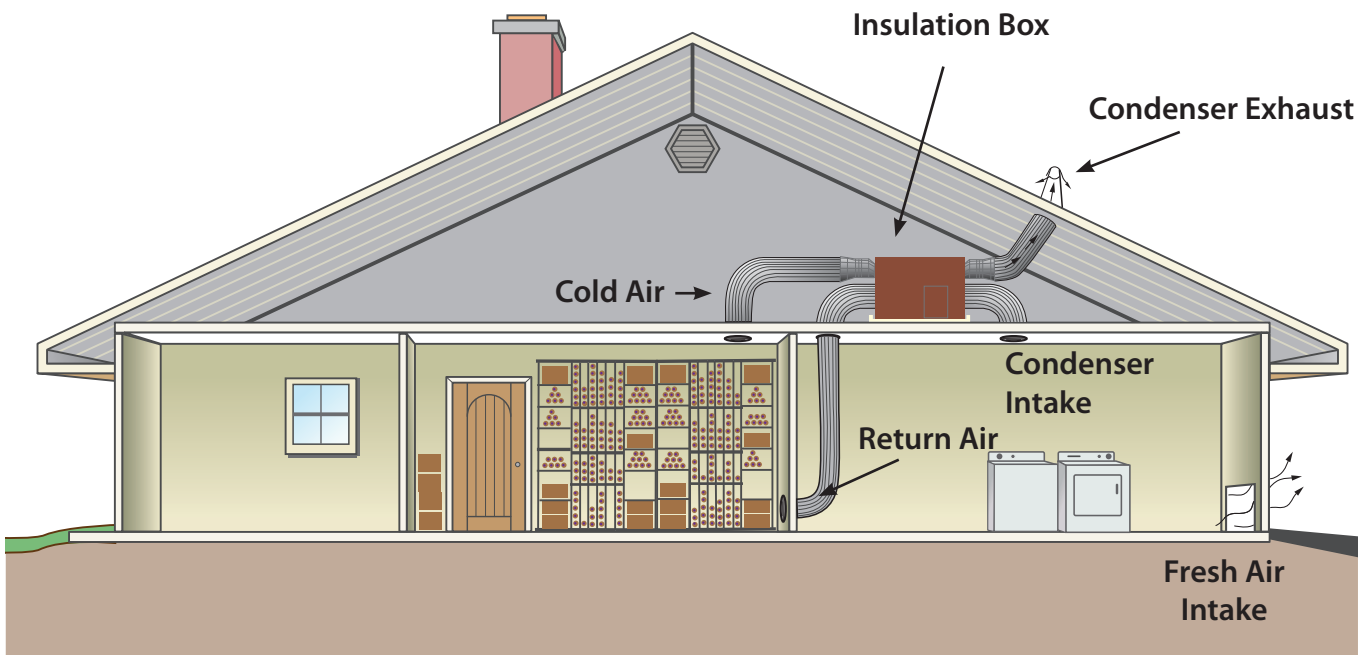
STANDARD DUCTED INSTALLATION

Dual Outlet Duct



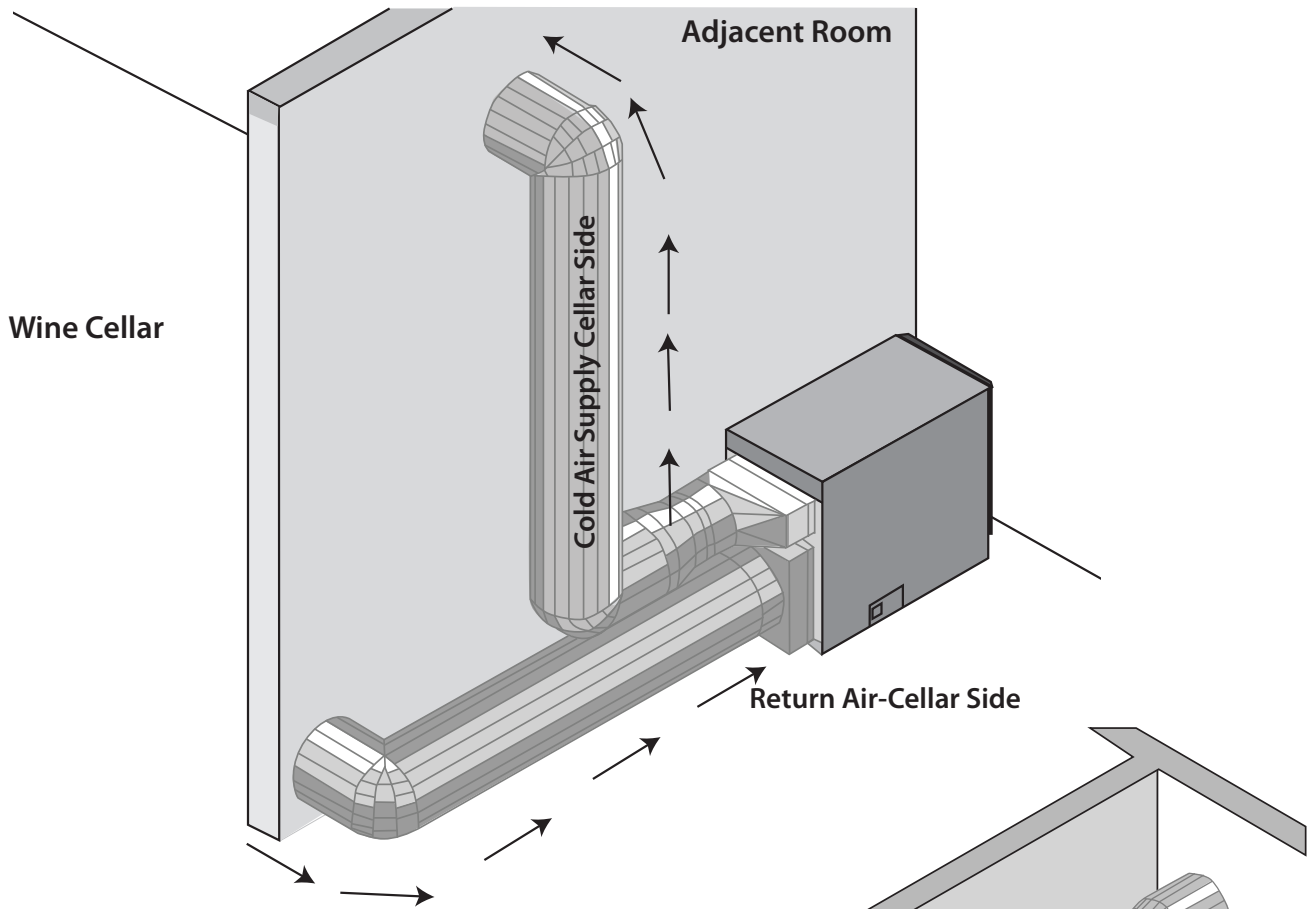
Attic Mounted System

It is recommended to use our Insulation Box and Condensate Pan for this application. See page 34 for more information or visit www.whisperkool.com

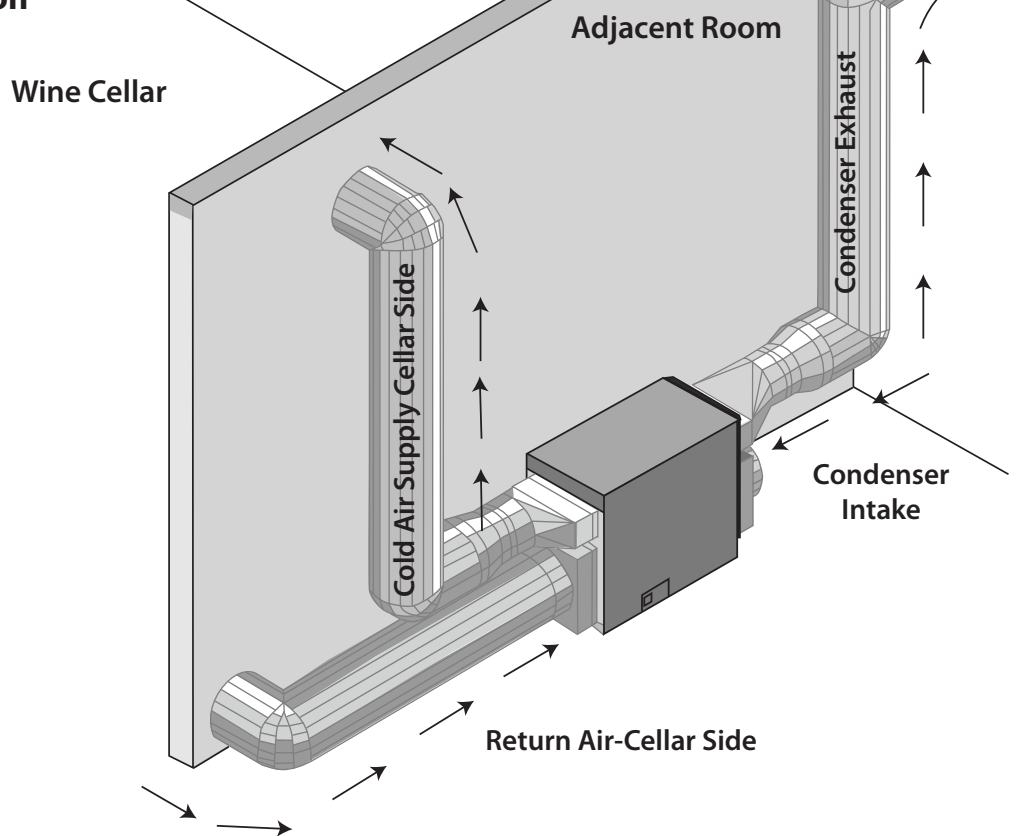


STANDARD DUCTED INSTALLATION

Dual Outlet Duct



Fully Ducted Application



LIQUID MEASURING THERMOSTAT SYSTEM

The WhisperKOOL Series cooling units come equipped with a liquid temperature measuring thermostat system. This system incorporates the following advantages:

1. **Self-Calibrating Probe:** The probe contains a sensor chip, which actually communicates back and forth to the thermostat. This results in a consistent temperature setting and accuracy. Do not remove the tip from the probe!
2. **Heavy-duty Circuitry:** The circuitry within this new unit has been upgraded to resist power surges, which play havoc on electrical components. This improvement will ensure years of trouble-free use. However, for the highest reliability, we recommend that the customer install a surge protector for the unit itself.

Measuring liquid temperature has a few unique advantages:

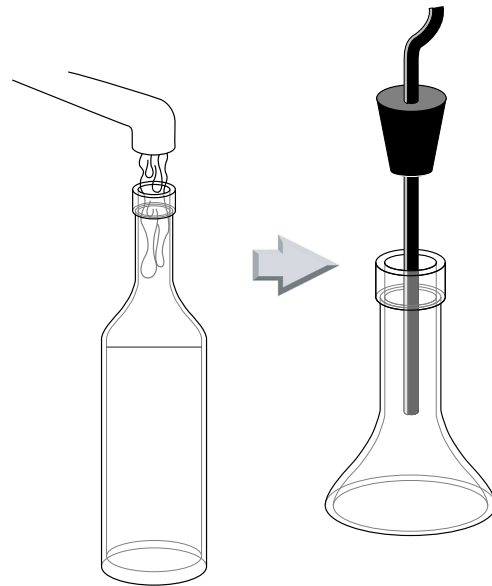
1. Wine temperature is kept in a very precise controlled environment. This assures a consistent temperature.
2. By measuring the liquid temperature rather than air, the unit will operate 75- 80% of the time.

To Use the thermostat:

1. Locate an empty wine bottle.
2. Fill 3/4 full with room temperature tap water.
3. Place bottle probe securely into bottle.
4. Place bottle with probe level and to the side of the unit in your wine cellar. *It is recommended that it is placed in a central location of your wine cellar.* Avoid pulling too much on the probe cord. It may become disconnected resulting in non-operation of the unit.

Note: The thermostat can be set between 50°F and 76°F.

Remember: The WhisperKOOL System is based on the temperature of the water. Do not be misled by thermostats reading air temperature. The air temperature in the cellar will be cooler than the liquid temperature of the wine while it is coming to optimum balanced temperature.



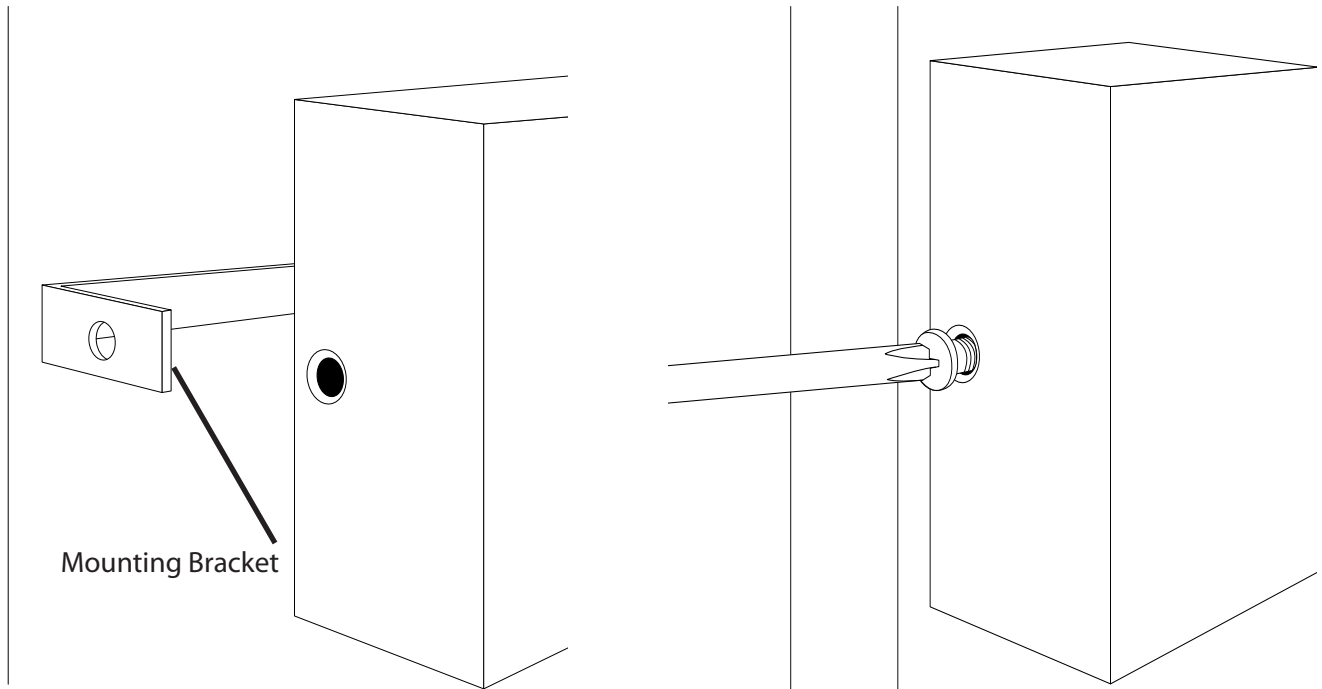
Fill an empty bottle with room-temperature water; then insert the probe.

REMOTE CONTROLLER: INSTALLATION AND CONFIGURATION

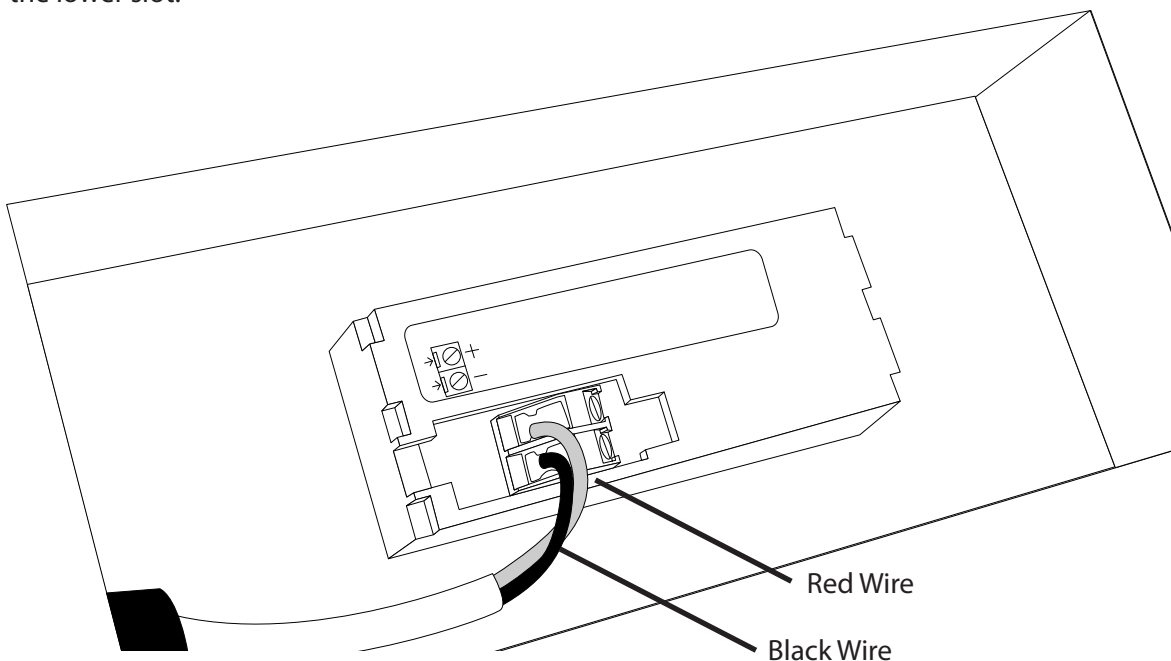
The WhisperKOOL Extreme Series can be configured with a remote controller system. If you have a unit with a remote controller, please review this section.

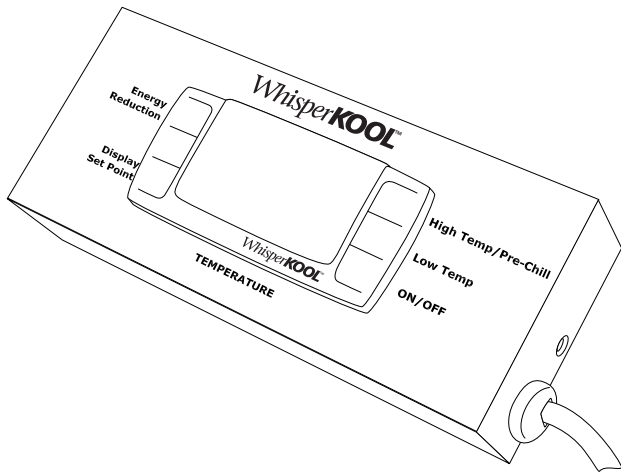
The controller can be installed up to 50 feet away from the cooling unit, or up to 300 feet away with the extended connection wire.

To install the remote controller, remove the mounting bracket and secure the bracket to the wall in the desired location. Reattach the controller to the bracket.

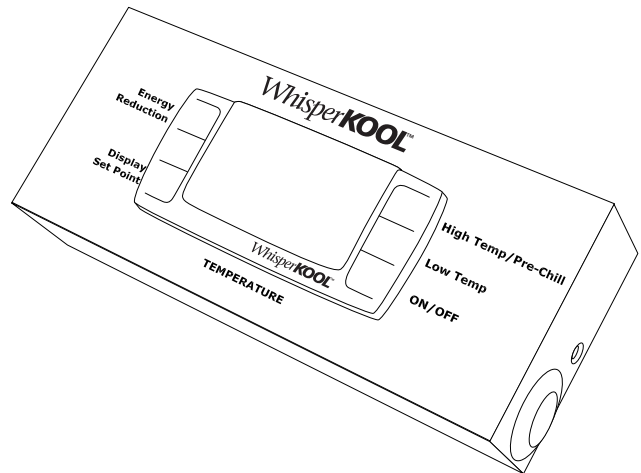


Attach the connection wire as shown below, with the red wire in the upper connection slot and the black wire in the lower slot.



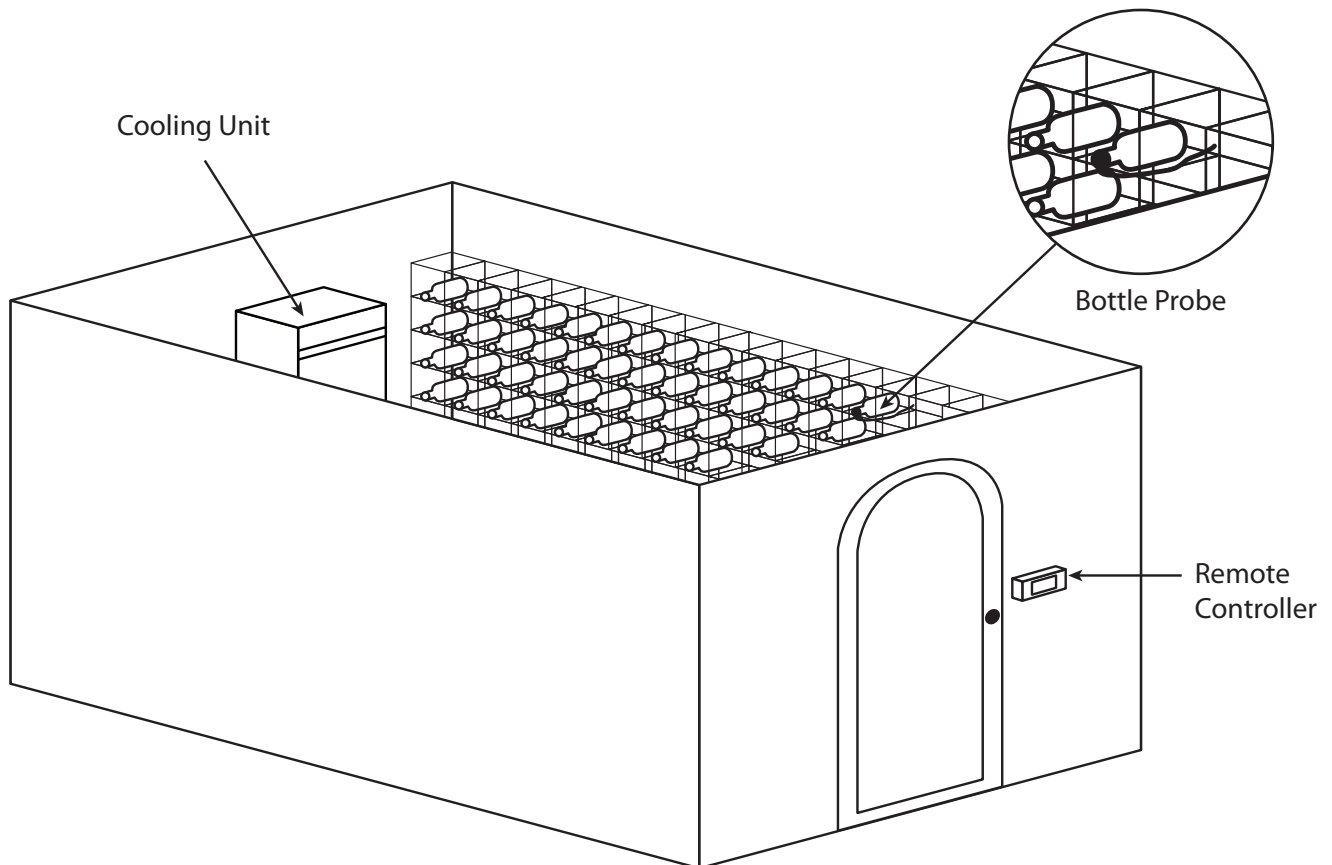


Connection wire in Side Mount configuration



Connection wire in Rear Mount configuration

Below is an illustration of one possible way to configure the remote controller in a wine cellar.

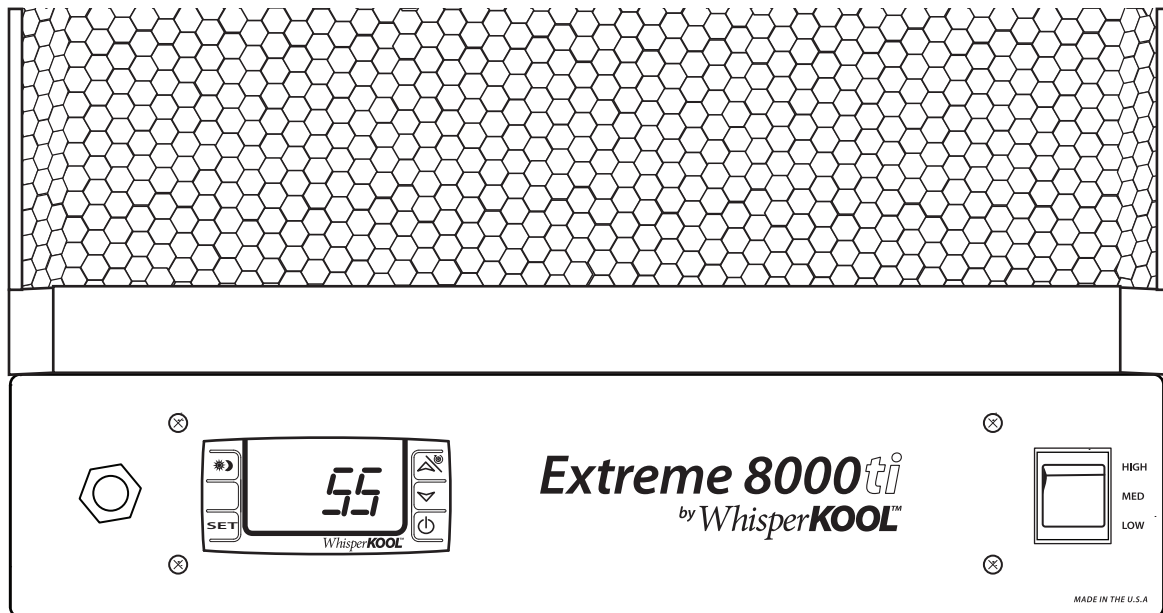


VARIABLE SPEED CONTROL

(only on the 8000ti)

Designed for wine cellars from 1000 to 2000 cubic feet, the Extreme 8000ti features variable-speed fans with a "high" setting for maximum performance in high-temperature (+110°F) environments and a "low" setting for super-quiet operation.

Fan Speed Selector Switch (Low/Med/High): The cooling unit fans operate on 3 speed settings: Low, Medium, and High. For optimum sound and energy efficiency, select the lowest fan speed that will maintain the desired cellar temperature. High speed is recommended for initial cellar cool down, extreme temperature conditions and ducted installations.



SYSTEM OPERATION: STANDARD & REMOTE

Initial Start-Up

When power is applied to the unit, the control will briefly display all symbols, and the Compressor symbol will be displayed (if unit is calling for cooling). There may be a brief delay prior to the evaporator and condenser fans turning on, as the fans will not turn on until the sensors reach their perspective start temperatures (below 70°F for the evaporator and above 80°F for the condenser). When the condenser fan is activated the "AUX" symbol will turn off, and when the evaporator fan is activated the "FAN" symbol will turn on. The temperature control feature for the evaporator fan is a feature applicable to Whisperkool Advance Product Safety Technology (APST), which ensures that in the possible event of a cooling deficiency, the heat from the indoor fan will not raise the heat of the wine cellar, which could otherwise have an adverse effect on the wine aging process. After the indoor coil reaches a temperature below 70°F, the indoor fan symbol will be displayed and the fan will turn on.

Note: For remote system condenser fan cycles with the compressor, the "Aux" symbol does not apply.

Normal System Cycle

After the bottle probe has reached the set point (all units are shipped with the set point of 55°F and a differential of 1°F), the compressor and the condenser fan will turn off, but the indoor fan will continue to run for about 5 minutes, 1 minute off until the unit gets a call for cooling which is a feature of the WhisperKOOL Humidity Management (WHM) system. The WHM is an adjustable feature which allows the customer the convenience of managing the humidity enhancement of their wine cellar. The WHM is one of the many Customer Preference Selection features which allow the customer the ability to fine tune the controls.

Anti Short Cycle

The Anti Short Cycle ensures that the compressor will remain off for a period of 5 minutes after the unit has reached the set point to allow the pressure in the refrigeration system to equalize prior to starting the compressor.

Defrost Cycle

The Defrost Cycle is a precautionary measure, as icing or frosting of the coil does not occur during normal operation. The system will go through a defrost cycle every 4 hours. During the defrost cycle, the indoor fan will provide air flow across the indoor coil, which will evaporate any frost accumulation.

Low Ambient Conditions

If the unit is installed in a Through-The-Wall application (which will allow the condenser to be exposed to low ambient temperatures), the condenser fan may cycle on and off. The purpose of the fan cycling is to maintain the system high side pressure, which will ensure an adequate refrigeration process. The fan cycling process is accomplished by way of a temperature probe attached to the condenser coil.

Note: Remote control systems do not use condenser fan cycling.

Bottle Probe Failure Protection

In the event that a bottle probe should fail, the APST (Advance Product Safety Technology) will automatically transition the Refrigeration Compressor cycles to a pre-determined time series (based on detailed laboratory testing), which will ensure that the product is kept within the safe range.

Remote Control Panel (optional)

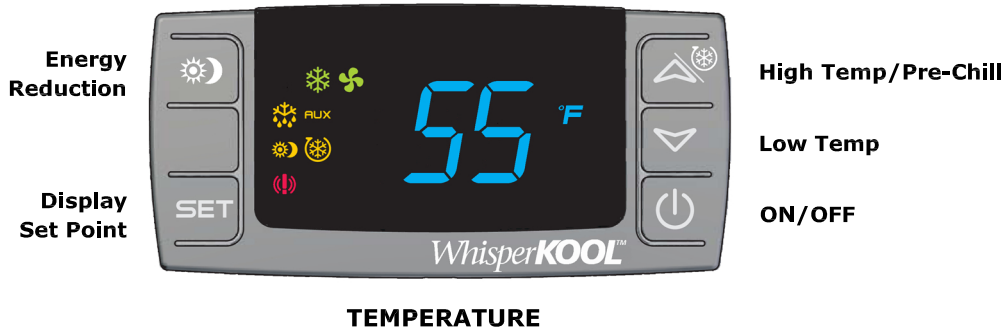
The control panel can be installed or mounted separately from the cooling unit itself (remotely), using the supplied cable. This option provides unique flexibility for installing the Extreme Series cooling unit in your wine cellar. The remote option must be specified when the unit is ordered.

Note: Remote Control is generally standard with a "Ducted Unit"

Ducting and Ventilation Options

The ventilation system is ideal for ducting. The optional collars fit standard ventilation ducting allowing the installer to vent air to and from the unit for optimum performance (please see specifications for details).

CONTROL PANEL FEATURES AND OPERATION



TEMPERATURE

Button	Normal Functions
ON/OFF	<ul style="list-style-type: none"> The ON/OFF button allows the customer the convenience of turning the refrigeration system ON or OFF, from the control panel. This feature does not disconnect power from the unit, and the condenser fan will continue to run in the OFF position. In order for the power to be shut off from the unit, the power cord must be unplugged from the wall receptacle. Press the ON/OFF button once for button application.
Up and Down Arrows	<ul style="list-style-type: none"> Use these buttons to scroll up or down the CPSM menu. Displays the Highest and Lowest temperature sensed by the Bottle Probe. This feature allows the customer instant access to the recorded data applicable to the Bottle Probe Temperatures, it can be easily reset to reflect current temperatures. <ol style="list-style-type: none"> Press the "UP" arrow, or the "Down" arrow once, and the Highest or Lowest Temperature (Hi/Lo) sensed by the Bottle Probe, will be displayed. To reset the Hi/Lo, press and hold the "Set" button when the Hi/Lo value is displayed on the Digital Display, continue to hold the "Set" button until "rst" appears on the digital display and then blinks. This will erase the past recorded "Temperature Data History" and start recording, from the current time and temperature, forward. Temperatures displayed would reflect Bottle Probe Temperatures from that point in time, and beyond. The Hi/Lo feature should be reset at initial "Start-Up" and after the Cellar or Cabinet has obtained normal operating temperatures, which is generally 55°F.
Cellar PreChill (CPC)	<p>The CPC Feature is activated by pressing the Up button for 3-5 seconds, and the CPC logo will be displayed on the digital display. The CPC feature can be terminated by pressing the Up button for 3-5 seconds, or the feature will self terminate after 6 hrs.</p> <ol style="list-style-type: none"> The (CPC) Feature may be used to Pre-Chill the Cellar prior to loading it with Warm Product. The feature will shift the Set Point down to a lower setting of 52°F, for the next 6 hours. After the 6 hour time period, the Set Point will automatically return to the original Set Point. The CPC feature can be conveniently adjusted to the customer's specific needs, by accessing the "Customer Preference Select Mode" (CPSM). See Customer Preference Select Mode Instructions. <p>Note: This feature is not available on the Remote Key Pad application.</p>

Energy Reduction (ER)	<ol style="list-style-type: none"> 1. The ER feature can be used to save energy and aids in extending the life of the system. 2. The ER button is located at the top L/H side of the control. The ER feature is activated by pressing the ER button one time, and the ER logo will appear on the digital display. 3. The purpose of the ER feature is to reduce energy cost, by shifting the Set Point up by 4 degrees, which will allow the cooling system to run for shorter periods of time, resulting in a reduction in energy cost. 4. The ER feature allows for Energy Savings at any time - During periods of high ambient temperatures, vacations or business travel. 5. To deactivate the ER feature, press the ER button one time, and the ER logo will turn off. 6. The ER feature can be conveniently adjusted to the customer's specific needs, by accessing the "Customer Preference Select Mode" (CPSM). See Customer Preference Select Mode Instructions. <p>Note: This feature is not available on the Remote Key Pad application.</p>
Set Button	<ol style="list-style-type: none"> 1. Press the "Set" button once and it will display the Set Point. After approximately 5 seconds, the display will return to normal operation and display the Bottle Probe temperature. 2. Press and hold the "Set" button for 3-5 seconds until the set point is displayed and the °F symbol starts blinking. Next press the "UP or Down" arrows to change the Set Point. Next press the "Set" button once and the Set Point numbers and the °F on the display will blink to confirm the new Set Point setting. 3. Press and hold the "Set" button during the display of the Hi/Low "Temperature Data History" (hold button unit "rst" blinks on display), and it will erase the past recorded data file and start recording, from the current time and temperature. 4. Press the "Set" and the "Down Arrow" buttons simultaneously, for 3-5 seconds, and you will access the "Customer Preference Selection Mode" (CPSM). The CPSM allows the customer to "Fine Tune" the Control Operating System to their applicable choice.
CPSM Mode	<p>Press the "Set" and the "Down Arrow" buttons simultaneously, for 3-5 seconds, and you will access the "Customer Preference Selection Mode" (CPSM). The CPSM allows the customer to "Fine Tune" the Control Operating System to their applicable choice.</p> <p>The following CPSM options are available for adjustment:</p> <p>Fon – Humidity Management Enhancement: This parameter is normally set at 5, which should provide adequate relative humidity for the cellar.</p> <ul style="list-style-type: none"> • An increase in this parameter will increase the Humidity Enhancement (%RH), and a decrease in the parameter will decrease Humidity Enhancement (%RH). • Adjustments should be made in increments of 5, with a maximum of 15, and a minimum of 0. • After any adjustment to Humidity Enhancement, you should wait a minimum of three days before making any additional adjustments. This will allow the cellar sufficient time to acclimate to the new setting. <p>Fof - Humidity Management Enhancement: This parameter is normally set at 1. This parameter should not be adjusted, as it simply provides an OFF cycle time for the fan, during the compressor OFF cycle. However, the parameter is located within the CPSM as a convenience to the customer, should it need to be adjusted.</p>

CPSM Mode (Cont.)	<p>CCS – Cellar Pre-Chill Set Point: This parameter is set at 52°F, but can be adjusted to a set point between 45°F - 67°F.</p> <p>bLL/Act – Compressor Off or On for Low (bLL) or High (Act) Temperature Alarm: These parameters are set at “n”. With this parameter set at “n” the refrigeration system will continue to operate normally, if there is a High or Low temperature Alarm. To change this parameter, change the setting to “y”, and the compressor/refrigeration system will shut off during a High or Low temperature Alarm.</p> <p>Con/Cof – Compressor On time (Con) and Off time (Cof) with a Probe 1 failure/Alarm. These parameters are set at Con 40 min/Cof 10 min. In the event that there is a Probe 1 failure/Alarm, the compressor/refrigeration system automatically starts a predetermined ON/OFF cycle, which is controlled by the Con and the Cof parameters. The customer can adjust these parameters to maintain the desired Bottle Probe temperature. During a Probe 1 failure/Alarm, the Bottle Probe temperature can be monitored by pressing the Up or Down arrow to view the High and Low Temperature History.</p> <p>Hes – Differential for Energy Reduction – This parameter is set at 4, which results in a set point of 52°F during the Energy Reduction mode. A decrease in this setting will decrease the set point, and an increase in this feature will increase the set point.</p>
AUX	<p>“AUX” indicates that the condenser fan is running. Pressing the “AUX” button on the control panel will turn it off.</p>

Alarm Codes

Message	Cause	Outputs
“P1”	Room probe failure	Toggle “Con” and “COF” based on your temperature needs
“P2”	Evaporator probe failure	Defrost end is timed
“P3”	Condenser probe failure	Outputs unchanged
“HA”	Max bottle probe temp alarm	Outputs unchanged
“LA”	Min bottle probe temp alarm	Outputs unchanged
“HA2”	Condenser high temperature	It depends on the “Ac2” parameter
“LA2”	Condenser low temperature	It depends on the “bLL” parameter
“EA”	External alarm	Outputs unchanged
“POF”	Keypad locked	Hold “Up” and “Down” buttons for 3 to 5 seconds to disable, “PON” should appear

MAINTENANCE SCHEDULE

Monthly	<ol style="list-style-type: none">1. Check filters2. Check for unusual noise or vibration3. Check the drainline to see if it is above the waterline if draining into a vessel.
Quarterly	<p>Clean filters:</p> <ol style="list-style-type: none">1. Remove grille/ducting on both ends of unit.2. Remove the filter covering the coil.3. Wash with warm water4. Dry off filter by shaking excess water from filter.
Annually	<ol style="list-style-type: none">1. Replace filters if worn or plugged beyond cleaning.2. Use a vacuum with brush attachment to clean coils. Be careful not to crush coil fins when cleaning.3. Inspect for corrosion.4. Check wiring connections and integrity of cords.5. Examine duct work for cracks or possible leaks.6. Pour a 50/50 bleach solution into the drainline every spring.

TROUBLESHOOTING GUIDE

Unit has ice forming on the evaporator

Possible Cause	Solution
Evaporator filter and/or coil are dirty.	Clean filter and coil with a vacuum. If coil is very dirty, use a small hand spray with a small amount of liquid dish washer detergent. Spray coil, let set for 5 min, then flush with fresh water.
There is something blocking the supply and or return air	Remove blockage
One or both evaporator fans are not turning on.	Call a service tech to troubleshoot
The temperature of the room, the unit is exhausting to, has dropped below 50°	Raise the temperature of the exhaust room
The unit has not went through its defrost sequence, yet.	Check for ice in the depth of the coil. Melt with blow drier until coil is warm to the touch. Soak up water with a towel.
If unit continues to ice.	Observe ice formation pattern. If only part way up the coil face, unit could be low on refrigerant. If so, call Customer Service at 800-343-9463

Unit does not run/power up

Possible Cause	Solution
Unit is not plugged in	Make sure the unit is plugged into an outlet
Power switch not on	Turn unit on by pressing the power button on the control
No power to outlet	Reset circuit breaker on unit by pushing reset button located on right side of unit above the plug outlet
Line voltage is incorrect rating for unit	Check line voltage to make sure there is 110v/120v
Room at set point	Lower set point
Thermostat not calling for cooling Faulty thermostat or wiring	Lower set point Call Customer Service at 800-343-9463

Cellar Temperature is to Warm

Possible Cause	Solution
The temperature or the room unit is exhausting to has exceeded 110°	Intake temperature needs to drop below 110°.
The unit is undersized for the room.	Order correct size unit
There is something blocking the supply and/or return air, on evaporator or condenser side of the unit	Remove air flow obstruction
Unit is mounted too low in the cellar	Re-Locate unit so the distance from the ceiling and top of the unit is no more than 18"
One or more of the fans is not turning on.	Call Customer Service at 800-343-9463
Compressor is not turning on.	Call Customer Service at 800-343-9463
Compressor keeps cycling on overload	Make sure all fans are working and there are no airflow obstruction.
Poor seal around door.	Make sure there are no air gaps around the door. If door seal is damaged, replace it.
Controller set too high	Lower the set point.
Evaporator coil is frosted or iced up	Observe ice formation pattern. If only part way up the coil face, unit could be low on refrigerant. If so, call Customer Service at 800-343-9463

TROUBLESHOOTING GUIDE

Unit leaks water	
Possible Cause	Solution
Unit is not level	Unit should be level in wall to prevent leaking
Drain line clogged or kinked	Check drain line to make sure water can flow freely.
Drain is clogged preventing water from escaping	Disconnect drain and clear out
Drain line does not have a downward slope	Fix Drain line so there is a downward slope from the unit to the drain.
Coil is iced causing drain pan ice and water overflowing	Melt ice with blow drier. Soak up with a towel
Unit runs but does not cool	
Possible Cause	Solution
Lack of air flow/heat exhaust (outer room)	Make sure fan is unobstructed; clean evaporator if necessary
Crankcase pressure set too high/low	Call Customer Service at 800-343-9463
Compressor not running	Call Customer Service at 800-343-9463
Unit undersized	Call Customer Service at 800-343-9463
Fans run but compressor does not.	Compressor may have overheated. Shut unit off for 1 hour to allow compressor to cool. Turn back on and check for cooler air flow out. If compressor runs, check for and clean condenser coil as possible cause of compressor overheating. If problem repeats, call customer service.
Evaporator fan runs but compressor does not	
Possible Cause	Solution
Compressor and/or starting components faulty	Call Customer Service at 800-343-9463
Fans run but compressor does not.	Compressor may have overheated. Shut unit off for 1 hour to allow compressor to cool. Turn back on and check for cooler air flow out. If compressor runs, check for and clean condenser coil as possible cause of compressor overheating. If problem repeats, call customer service.
Compressor runs; evaporator fan does not	
Possible Cause	Solution
Blown fuse or circuit breaker	Replace fuse/reset breaker
Faulty fan motor	Call Customer Service at 800-343-9463
Faulty fan relay	Call Customer Service at 800-343-9463
Compressor short cycles	
Possible Cause	Solution
Evaporator blows on bottle probe	Move bottle probe to a more central location.
Dual pressure control improperly set	Call Customer Service at 800-343-9463
Unit low on refrigerant charge	Call Customer Service at 800-343-9463
Condensing fan motor/capacitor faulty	Call Customer Service at 800-343-9463
Compressor and /or starting components faulty	Call Customer Service at 800-343-9463
Humidity in cellar too low	
Possible Cause	Solution
Cellar vapor barrier not sufficient	Install proper vapor barrier
Not enough moisture	Should direct customer to raise the Fon setting to increase the humidity level

TECHNICAL ASSISTANCE

WhisperKOOL Customer Service is available Monday through Friday from 8:00 a.m. to 4:00 p.m. Pacific Time.

The customer service representative will be able to assist you with your questions and warranty information more effectively if you provide them with the following:

- The model and serial number of your WhisperKOOL Series Unit.
- Location of unit and installation details, such as ventilation, ducting, construction of your wine cellar, and room size.

Contact WhisperKOOL Customer Service

1738 E. Alpine Avenue

Stockton, CA 95205

www.whisperkool.com

Email: support@whisperkool.com

Phone: (209) 466-9463

US Toll Free (800) 343-9463

Fax (209) 466-4606

ACCESSORIES FOR COOLING UNITS

WhisperKOOL offers accessories to enhance and customize your Extreme wine cooling unit.

Platinum Extreme Exterior Grille

Protects the Platinum Extreme systems from the weather elements when placed on the exhaust side.

- Small Exterior Grille (used for Platinum Extreme 4000)
- Large Exterior Grille (used for Platinum Extreme 8000)

Exterior Condenser Housing

Protects the condenser portion of the split system from the elements when installed outdoors. Exterior Condenser Housing is used with the Platinum Mini Split, Platinum Split Wall Mount and Platinum Split Fully Ducted.

Condensate Pump Kit

The condensate pump kit is designed as an automatic condensate removal pump for water dripping out of our cooling units' drain line. The pump is controlled by a float/switch mechanism that turns the pump on when approximately 2-1/4" of water collects in the tank, and automatically switches off when the tank drains to approximately 1-1/4". The condensate pump kit allows the excess condensate to be pumped up to 20ft away from the unit.

Extreme Ducting Plenum

Ducting Plenum can be used both the Platinum Extreme 4000 or 8000.

This plenum allows either side of the unit to be ducted. Duct the cold air through a vent into the cellar, duct the hot exhaust air out of the home. This plenum allows for total installation flexibility.

Accessories can be purchase at www.whisperkool.com

INSTALLATION TERMS AND CONDITIONS

WhisperKOOL Cooling System

WHISPERKOOL PRODUCT BASE TERMS

WhisperKOOL Corporation ("WhisperKOOL") is in the business of manufacturing and selling wine cabinets, cooling units and related goods; each such wine cabinet, cooling unit and related good is referred to herein as a "Product". As used herein, the term "WhisperKOOL" includes any Product sold under the names WhisperKOOL, Vinotheque and CellarCool. "Purchaser" means the original purchaser of a WhisperKOOL Product. "End User" means the consumer who has installed and is actually using a WhisperKOOL Product. Every sale of a Product from WhisperKOOL to a Purchaser is made subject to these Terms and Conditions of Sale ("Terms and Conditions").

Product prices are specified in the WhisperKOOL published price list that is current at the time WhisperKOOL receives Purchaser's particular order. Prices are subject to change at any time prior to WhisperKOOL's acceptance of Purchaser's particular order. No contract of sale exists until WhisperKOOL has accepted Purchaser's order and provided Purchaser with a written acknowledgment of Purchaser's order. Prices are exclusive of, and Purchaser shall pay, all taxes, duties, levies or fees imposed on WhisperKOOL or Purchaser by any taxing authority related to Purchaser's order. Payment for a WhisperKOOL Product must be made in lawful money of the United States of America in immediately available funds. WhisperKOOL accepts all major credit cards. WhisperKOOL may change payment terms for unfilled orders if, in WhisperKOOL's reasonable opinion, Purchaser's financial condition, previous payment record or relationship with WhisperKOOL merits such change.

All Purchaser orders, whether written or verbal, are governed by these Terms and Conditions and are subject to acceptance by WhisperKOOL. Any term or condition which may be included on any Purchaser's purchase order, or in any form of communication (whether verbal or in writing) from any Purchaser to WhisperKOOL, that is not identical with these Terms and Conditions, is hereby expressly objected to and rejected by WhisperKOOL, and shall NOT become a part of the contract of sale of any Product. WhisperKOOL's failure to object to any such conflicting term and/or condition of sale contained in any communication (including a purchase order) from a Purchaser shall not be considered as acceptance of such term and/or condition or as a waiver of these Terms and Conditions. The only language in which WhisperKOOL states these Terms and Conditions is English. WhisperKOOL reserves the right, in its sole discretion, to change these Terms and Conditions at any time, for any reason, without notice. WhisperKOOL shall not be liable to Purchaser for any delay of delivery of a Product caused by Force Majeure, or any other cause beyond WhisperKOOL's control.

2. WHISPERKOOL PRODUCT LIMITED WARRANTY

A. Two (2) Year Limited Warranty.

For the period of TWO (2) YEARS (the "Limited Warranty Period") from the date of original sale of a Product by WhisperKOOL, if a WhisperKOOL Product is found to be defective in material or workmanship after undergoing WhisperKOOL's customer service troubleshooting, then, subject to the WhisperKOOL Product Limited Warranty Limitations and Exclusions as well as the other Terms and Conditions stated herein, WhisperKOOL will do the following, as appropriate, for the end user ("End User") who has installed and is actually using the Product, with regard to LABOR, PARTS and FREIGHT:

- (1) **LABOR** - repair or replace (at WhisperKOOL's sole option) the Product at no charge to the End User; and
- (2) **PARTS** - supply, at no charge to the End User, new or rebuilt replacement parts for the Product in exchange for the return of defective parts; and
- (3) **FREIGHT** - cover normal ground freight charges for parts, and, in the event the Product is not repairable in the field, cover normal ground freight charges (within the continental United States) for the repair or replacement of the Product.

B Five (5) Year Compressor Limited Warranty.

The two (2) year limited warranty period stated in Section 2(a) above is extended for an additional three (3) year period with regard to a WhisperKOOL Product's compressor only. Labor, freight and parts ancillary to the compressor remain subject to the two (2) year limited warranty

C Product Warranty Limitations and Exclusions.

- (1) This limited warranty does not cover cosmetic damage caused during installation, damage due to acts of God, commercial use, accident, misuse, abuse, negligence, or modification to any part of the Product. Delivery and installation of the Product, any additional parts required, as well as removal of the Product if warranty work is required, are all at the sole cost, risk and obligation of the End User.
- (2) This limited warranty does not cover damage due to improper installation or operation or lack of proper maintenance of the Product, connection of the Product to improper voltage supply, or attempted repair of the Product by anyone other

than a technician approved by WhisperKOOL to service the Product.

- (3) This limited warranty does not cover any Product sold "AS IS" or "WITH ALL FAULTS."
- (4) This limited warranty is valid only in the continental United States, Alaska and Hawaii. Sales elsewhere (including Puerto Rico) are excluded from this warranty.
- (5) Proof of purchase of the Product in the form of a bill of sale or receipted invoice, which is evidence that the Product is within the Limited Warranty Period, must be presented by the End User to WhisperKOOL in order to obtain limited warranty service.
- (6) This limited warranty is void if the factory applied serial number has been altered or removed from the Product.
- (7) Removing the rivets from the Product's unit housing without prior authorization from WhisperKOOL voids this limited warranty.
- (8) The End User must first contact WhisperKOOL Customer Service by telephone (at 1-800-343-9463) prior to attempting service on any Product still under the limited warranty, else the limited warranty is voided.
- (9) THE REPAIR OR REPLACEMENT OF THE PRODUCT AS PROVIDED UNDER THIS LIMITED WARRANTY IS THE EXCLUSIVE REMEDY OF YOU, THE END USER, AS WELL AS ANYONE ELSE IN THE CHAIN OF TITLE OF THE PRODUCT, DOES NOT START A NEW LIMITED WARRANTY TIME PERIOD, AND IS IN LEIU OF ALL OTHER WARRANTIES (EXPRESS OR IMPLIED) WITH REGARD TO THE PRODUCT. IN NO EVENT SHALL WHISPERKOOL BE LIABLE FOR INCIDENTAL, CONSEQUENTIAL, SPECIAL OR CONTINGENT DAMAGES FOR BREACH OF ANY EXPRESS OR IMPLIED WARRANTY ON THIS PRODUCT. THE IMPLIED WARRANTIES OF MERCHANTABILITY AND FITNESS FOR A PARTICULAR PURPOSE ARE HEREBY EXPRESSLY DISCLAIMED. Some states do not allow the exclusion or limitation of incidental or consequential damages, or allow limitations on how long an implied warranty lasts, so the above limitations or exclusions may not apply to you. This limited warranty gives you specific legal rights, and you may have other rights, which vary from state to state.
- (10) Failure of the End User to comply with all of the Product Installation Requirements, Maintenance Requirements and End User Requirements may, at WhisperKOOL's sole discretion, void this limited warranty.
- (11) No one has any authority to add to or vary the limited warranty on this Product.

3. PRODUCT INSTALLATION REQUIREMENTS

- (a) Prior to installing a WhisperKOOL Product, the End User must read the WhisperKOOL Owner's Manual and thereafter the End User must follow the required installation, use and maintenance procedures set forth by WhisperKOOL in WhisperKOOL's Owner's Manual. The Owner's Manual is shipped with each Product and if another copy is needed, replacement copies can be downloaded from WhisperKOOL's website (www.whisperkool.com) or by contacting WhisperKOOL directly for a new copy of the Owner's Manual.
- (b) It is highly recommended that the End User obtain the assistance of a wine storage professional.
- (c) Failing to address all of the variables associated with proper installation will cause the Product to operate incorrectly and limit both the Product's ability to cool and the longevity of the Product itself.
- (d) The limited warranty card should be completed and promptly returned by the End User to WhisperKOOL to ensure limited warranty registration and confirmation of date of purchase.
- (e) The End User is responsible for all risks and costs of installation of the Product, including but not limited to all labor costs as well as cost of any additional parts required for the proper and complete installation of the Product. The End User is responsible for all risks and costs of removing the Product if limited warranty work is required.
- (f) The Product cannot operate at its optimum capacity if airflow is constricted by ducting or venting the exhaust side of the Product into a location with inadequate ventilation.

4. MAINTENANCE REQUIREMENTS

It is the End User's responsibility to clean off any accumulated dust, lint, or other debris from the front and rear intake grills; failure to do this on a regular basis will restrict the airflow and may affect the Product's ability to function properly. Periodically cleaning the Product's vents will help assure maximum cooling efficiency. The drain tube must also be checked and kept clean and free of debris and mold to maintain proper performance.

Mold is a natural living organism in the environment. It exists in the air in the form of microscopic spores that move in and out of buildings through doors, windows, vents, HVAC systems and anywhere else that air enters. Once it is discovered, mold must be addressed quickly and appropriately. Delayed or improper treatment of mold issues can result in costly and reoccurring repairs. If the End User suspects a mold problem, it is always best to hire a qualified and experienced mold remediation specialist.

5. ADDITIONAL END USER RESPONSIBILITIES

The following items are not covered under any warranty and are the sole responsibility of the End User:

- (a) End Users should satisfy themselves that the Product they are purchasing is suitable for their particular needs and requirements, and thus no responsibility will be placed with WhisperKOOL for the End User's decisions in this regard.

(b) It is the End User's responsibility to secure safe haven/storage for ANY AND ALL items that are being kept and stored in the End User's wine cellar, including any Product. WhisperKOOL takes no responsibility for the safety and preservation of the aforementioned items in the event that the environment becomes unsuitable to maintain a proper storage environment.

6. SALES AND USE TAX

WhisperKOOL only collects California sales tax for orders shipped within the State of California; WhisperKOOL does not collect sales tax for orders shipped to other states. However, the Purchaser and the End User may be liable to the taxing authority in their state for sales tax and/or use tax on the Product. The Purchaser and the End User should each check with their state's taxing authority for sales and use tax regulations.

7. CUSTOMER SERVICE AND TROUBLESHOOTING

WhisperKOOL's customer service department is available to answer and questions or inquiries for End Users regarding a WhisperKOOL Product, as well as to assist in performing basic troubleshooting, Monday through Friday, from 8:00 a.m. to 4:00 p.m. PST, at telephone number 1-800-343-9463. WhisperKOOL Corporation is located at 1738 East Alpine Avenue, Stockton, California 95205.

8. ADDITIONAL TERMS AND CONDITIONS

- (a) Return Policy. All return inquiries must be made within thirty (30) calendar days of the original purchase of a Product and are subject to a twenty five percent (25%) restocking fee. Shipping costs are not refundable and the Purchaser is responsible for all return shipping costs (including customs fees and duties, if applicable).
- (b) WhisperKOOL retains a security interest in each Product until payment in full.
- (c) Every provision of these Terms and Conditions shall be construed, to the extent possible, so as to be valid and enforceable. If any provision of these Terms and Conditions is held by a court of competent jurisdiction to be invalid, illegal or otherwise unenforceable, such provision will, to the extent so held, be deemed severed from the contract of sale between Purchaser and WhisperKOOL, and all of the other non-severed provisions will remain in full force and effect.
- (d) The laws of the State of California (without regard for conflicts of law) shall govern the construction and enforcement of the these Terms and Conditions, except that these Terms and Conditions shall be interpreted as through drafted jointly by WhisperKOOL and Purchaser. Any dispute will be resolved by the courts in the County of San Joaquin, State of California, and all parties, WhisperKOOL, Purchaser and End User, hereby irrevocably submit to the personal jurisdiction of such courts for that purpose. No waiver by WhisperKOOL of any breach or default of the contract of sale (including these Terms and Conditions) concerning a Product will be deemed to be a waiver of any preceding or subsequent breach or default.

9. Questions or Additional Information

If you have any questions regarding these Terms and Conditions or wish to obtain additional information, contact us via phone at 1-800-343-9463 or please send a letter via U.S. Mail to:

WhisperKOOL
1738 E. Alpine Ave
Stockton, CA 95205
support@whisperkool.com

Model Extreme Serial Number A _____

Installed by _____ Date _____

NOTES

*Whisper***KOOL™**

WhisperKOOL
1738 E. Alpine Ave
Stockton, CA 95205
1(800) 343-9463
www.whisperkool.com

Free Manuals Download Website

<http://myh66.com>

<http://usermanuals.us>

<http://www.somanuals.com>

<http://www.4manuals.cc>

<http://www.manual-lib.com>

<http://www.404manual.com>

<http://www.luxmanual.com>

<http://aubethermostatmanual.com>

Golf course search by state

<http://golfingnear.com>

Email search by domain

<http://emailbydomain.com>

Auto manuals search

<http://auto.somanuals.com>

TV manuals search

<http://tv.somanuals.com>