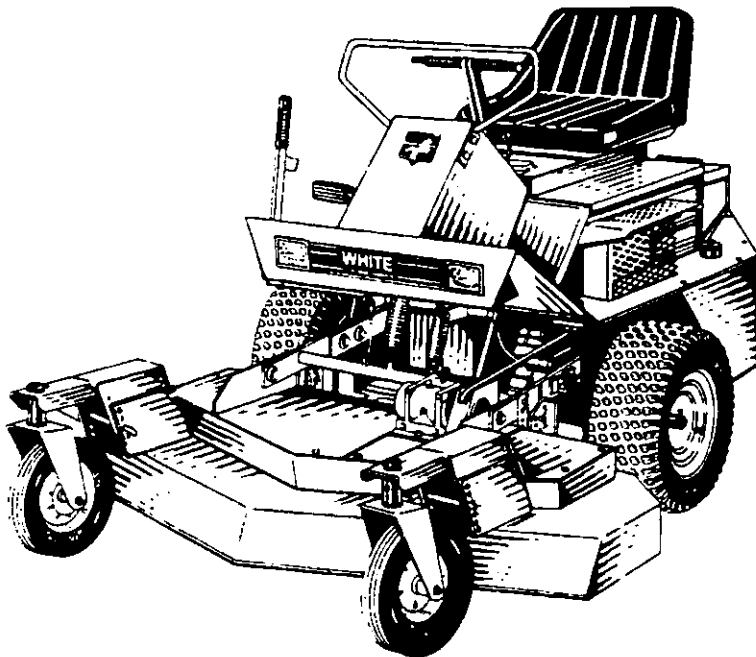


# WHITE



## OUTDOOR PRODUCTS OWNER'S GUIDE

**TURF BOSS  
GROUNDSKEEPING TRACTOR**



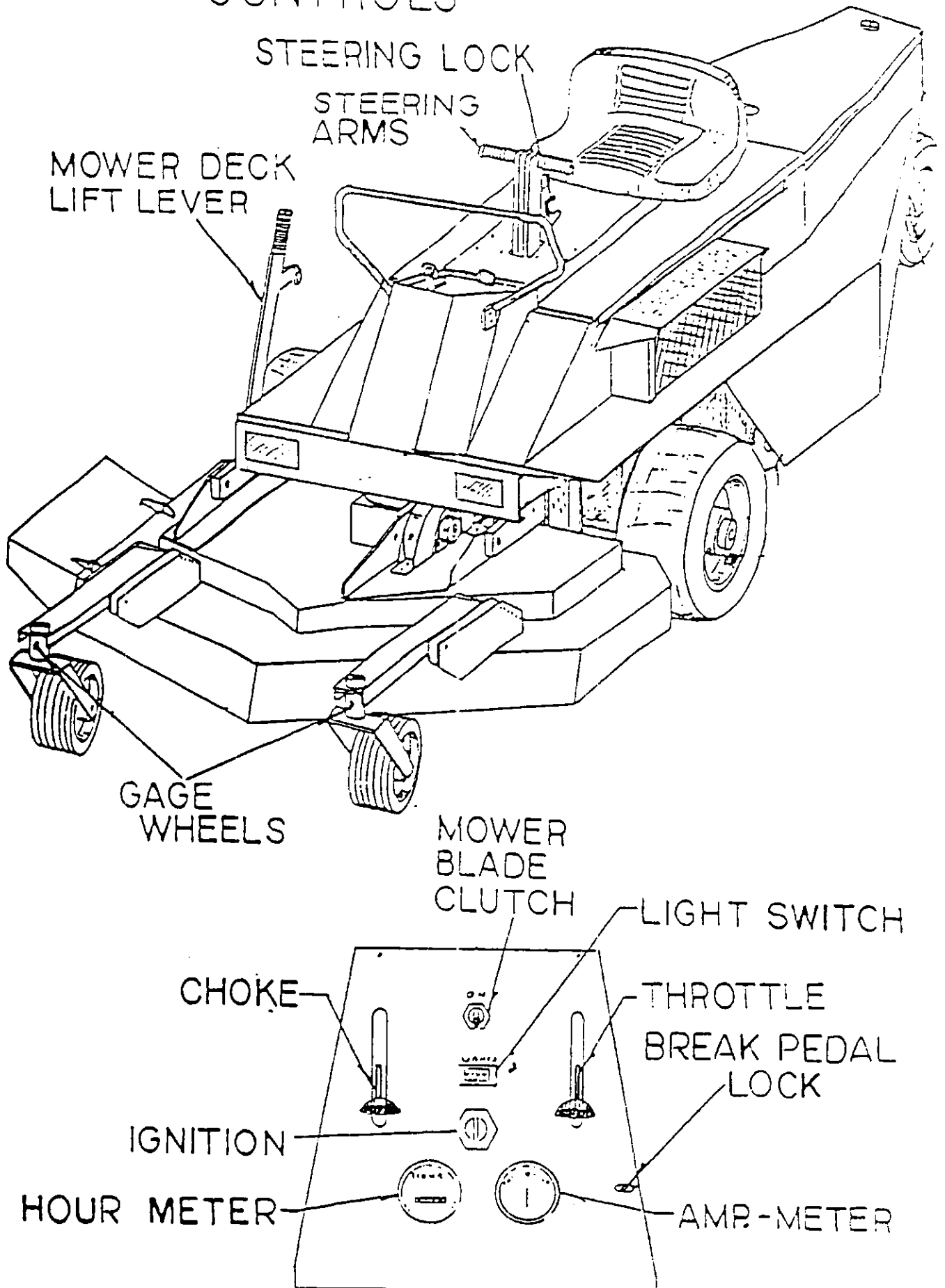
**FR-12**  
138-002-190

**FR-18**  
138-003-190

**FR-18C**  
138-004-190

**FR-18CH**  
138-024-190

# CONTROLS



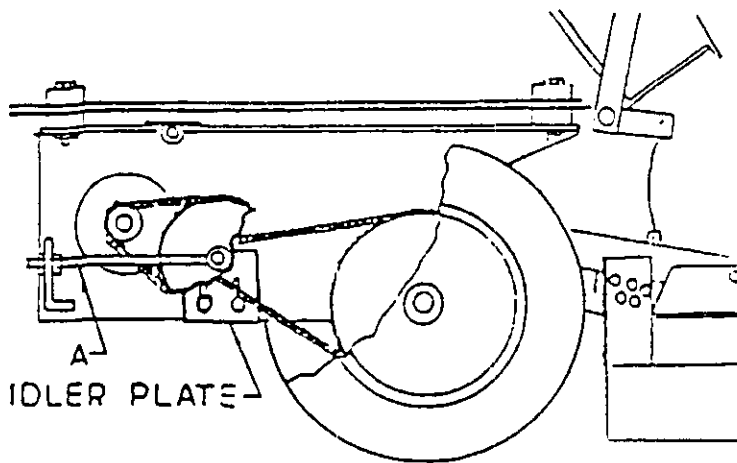


## WARNING

To reduce the potential for any injury, comply with the following safety instructions. Failure to comply with the instructions may result in personal injury.

# SAFE OPERATION PRACTICES FOR RIDING VEHICLES

1. Read this owner's manual carefully in its entirety before attempting to assemble or operate this unit. Keep this manual in a safe place for future and regular reference and for ordering replacement parts.
2. This unit is a precision piece of power equipment, not a plaything. Therefore exercise extreme caution at all times.
3. Know the controls and how to stop quickly—**READ THIS OWNER'S MANUAL.**
4. Do not allow children to operate vehicle. Do not allow adults to operate it without proper instruction. Only persons well acquainted with these rules of safe operation should be allowed to use your mower.
5. No one should operate this unit while intoxicated or while taking medication that impairs the senses or reactions.
6. Wear sturdy, rough-soled work shoes and close-fitting slacks and shirts to avoid entanglement in the moving parts. Never operate a unit in bare feet, sandals, or sneakers.
7. To prevent injury, do not carry passengers or give rides. Keep children, pets and bystanders out of the area while mowing. Only the operator should ride on the unit and only ride in the seat.
8. Check overhead clearance carefully before driving under power lines, guy wires, bridges or low hanging tree branches, before entering or leaving buildings, or in any other situation where the operator may be struck or pulled from the unit, which could result in serious injury.
9. To maintain control of the unit and reduce the possibility of upset or collision, operate the tractor smoothly. Avoid erratic operation and excessive speed.
10. Keep the area of operation clear of all persons, particularly small children and pets. Stop engine when they are in the vicinity of your mower. Although the area of operation should be completely cleared of foreign objects, a small object may have been overlooked and could be accidentally thrown by the mower in any direction and cause injury.
11. Clear work area of objects which might be picked up and thrown by the mower in any direction and cause injury.
12. Stop the blade(s) when crossing gravel drives, walks or roads.
13. Disengage all attachment clutches and shift into neutral before attempting to start engine.
14. Disengage power to attachment(s) and stop engine before leaving operating position.
15. Do not put hands or feet near or under rotating parts. Keep clear of the discharge opening at all times as the rotating blade(s) can cause injury.
16. Disengage power to attachment(s) and stop engine before making any repairs or adjustments. Disconnect the spark plug wire and keep the wire away from the plug to prevent accidental starting.
17. Before attempting to unclog the mower or discharge chute, stop the engine. The mower blade(s) may continue to rotate for a few seconds after the engine is shut off. Therefore, be sure the blade(s) have stopped completely. Disconnect the spark plug wire and keep the wire away from the plug to prevent accidental starting.
18. Disengage power to attachment(s) when transporting or not in use.
19. Take all possible precautions when leaving vehicle unattended such as disengaging power-take-off, lowering attachments, shifting into neutral, setting parking brake, stopping engine and removing key.
20. Do not stop or start suddenly when going uphill or downhill. Mow up and down face of steep slopes; never across the face. Use extreme caution if it is necessary to drive the tractor up an incline or back the tractor down an incline because the front of the tractor could lift and rapidly flip over backward which could cause serious injury.
21. Reduce speed on slopes and in sharp turns to prevent tipping or loss of control. Always keep the tractor in gear when going down steep hills to take advantage of engine braking action.
22. Stay alert for holes in terrain and other hidden hazards.
23. Use care when pulling loads or using heavy equipment.
  - A. Use only approved drawbar hitch points.
  - B. Limit loads to those you can safely control.
  - C. Do not turn sharply. Use care when backing.
  - D. Use counterweight(s) or wheel weights when suggested in owner's manual.
24. Watch out for traffic when crossing or near roadways.
25. When using any attachments, never direct discharge of material toward bystanders nor allow anyone near vehicle while in operation.
26. Handle gasoline with care. It is highly flammable.
  - A. Use approved gasoline container.
  - B. Never remove cap or add gasoline to a running or hot engine or fill fuel tank indoors. Wipe up spilled gasoline.
  - C. Open doors if engine is run in garage. Exhaust fumes are dangerous. Do not run engine indoors.

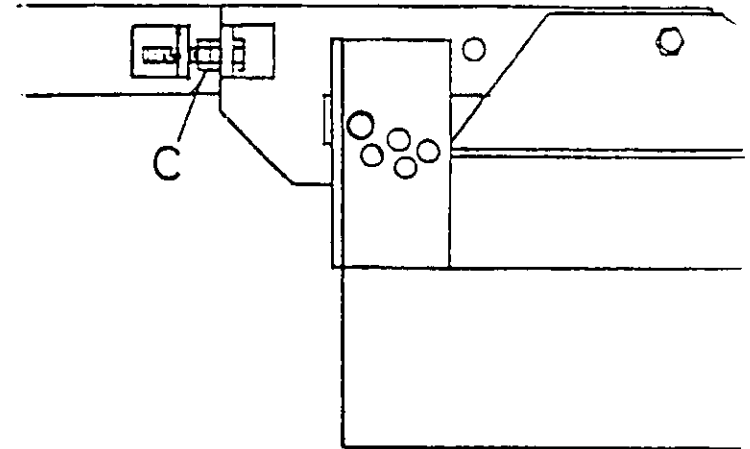
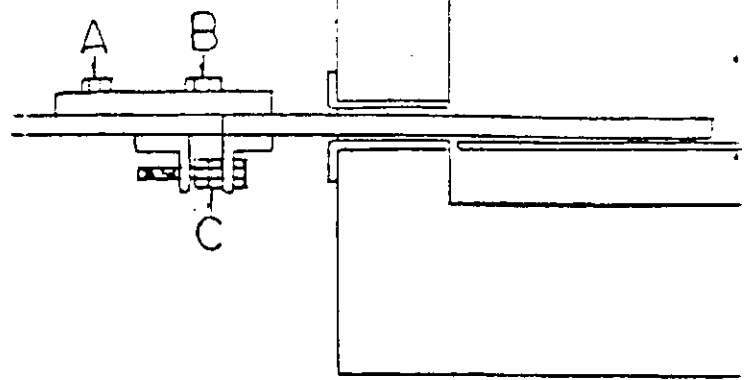


IDLER PLATE

### CHAIN ADJUSTMENT

To tighten chain, loosen idler plate and support collar (A). Pull downward on idler plate, checking to make sure that each chain has equal tension by moving idler plate from side to side. Then tighten bolts securely.

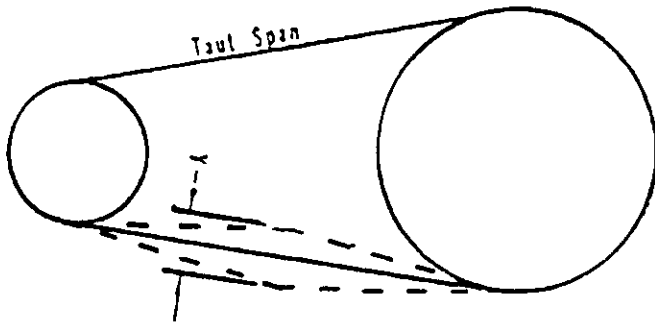
Tighten chain as per drawing below.



### DECK DRIVE BELT ADJUSTMENT

To tighten deck belt, loosen bolt A and B, then by rotating bolt C counter-clockwise belt will tighten. BOTH SIDES MUST BE DONE THE SAME. After belt has been adjusted tighten bolt A and B.

DO NOT OVER-TIGHTEN BELT, see below.



"A" Dimension

Primary chain  $3/8 - 1/2$  inch

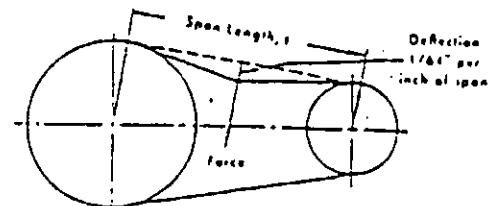
Final chain  $1/2 - 3/4$  inch

NOTE: All pulleys and transmission sprockets have been installed with a product called LOCKTITE - RC-609.

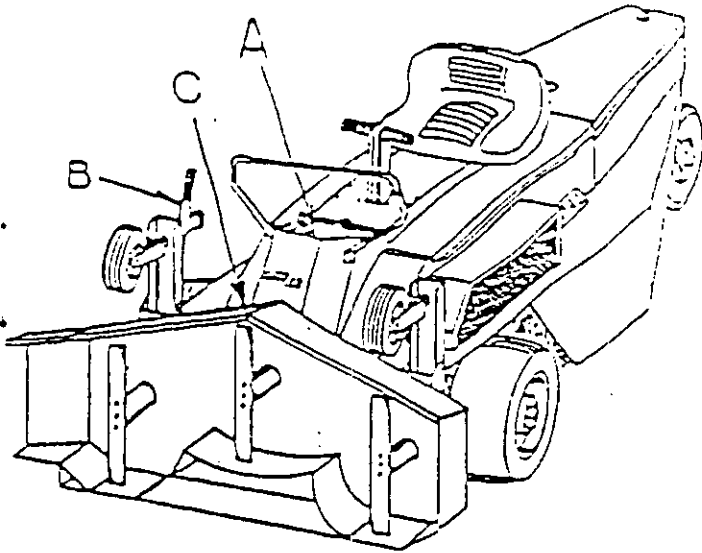
To remove pulleys or sprockets, loosen set screws and heat pulley or sprocket to approximately 250 degrees. Then use pullers to remove pulley or sprocket.

DO NOT USE EXCESSIVE FORCE AS IT WILL BEND THE PULLEYS.

**USE CAUTION WHEN HANDLING HEATED PARTS:**



# DECK CARE AND ADJUSTMENTS



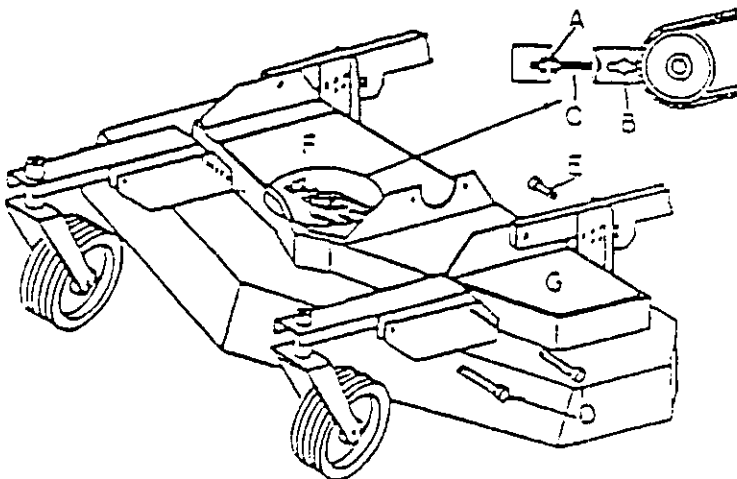
## HOW TO TILT MOWER DECK BACK

**CAUTION:** Never tilt mower deck with engine running. Remove ignition key.

To tilt mower deck disengage mower blade clutch(A). Apply enough pressure on the deck lift lever(B) to remove deck pins(E), (see deck care & adjustment drawing). Then raise deck up with deck lift lever(B) just high enough that the rear of the deck clears the ground. Pull upwards with your right hand on the center of the deck(indicated by point C) until the deck is in a vertical position. While holding the deck place pin E in hole(part G) to hold the deck in vertical position.

Deck can be returned to the original position by reversing the steps above. **CAUTION:** Keep hands away from deck pin area when returning deck to original position.

## DECK CARE AND ADJUSTMENTS



Periodically or no longer than 40 hours of mowing time remove deck covers (F & G) and clean out grass clippings.

## HOW TO TIGHTEN DECK BELT

**WARNING:** TURN OFF ENGINE AND REMOVE IGNITION KEY!

Remove deck cover(F)\* and loosen nut(A)\* and bolt(B)\*. By shortening bolt(C)\* deck belt will tighten. After belt is tightened, retighten nut(A)\* and bolt(B)\*

**WARNING:** DO NOT TIGHTEN BELT TO EXCESS

## HOW TO ADJUST MOWER DECK HEIGHT

PLACE MOWER ON LEVEL SURFACE

Adjusting deck height is done by removing gage wheel pins(D)\*. Move gage wheel up or down to desired height. After gage wheels are adjusted and pins(D)\* are returned, the back of the deck must be adjusted by removing deck pins(E)\*. The rear of the deck should be 1/8 to 1/4 inch higher than the front for best cutting results, except on 42" decks where under some conditions it will work better approximately 3/16 inch lower in rear.

## BLADE CARE

For best results, cutting blade must be kept sharp. The blade can be sharpened with a few strokes of a file, or on a grinding wheel. DO NOT ATTEMPT TO SHARPEN WHILE ON MOWER.

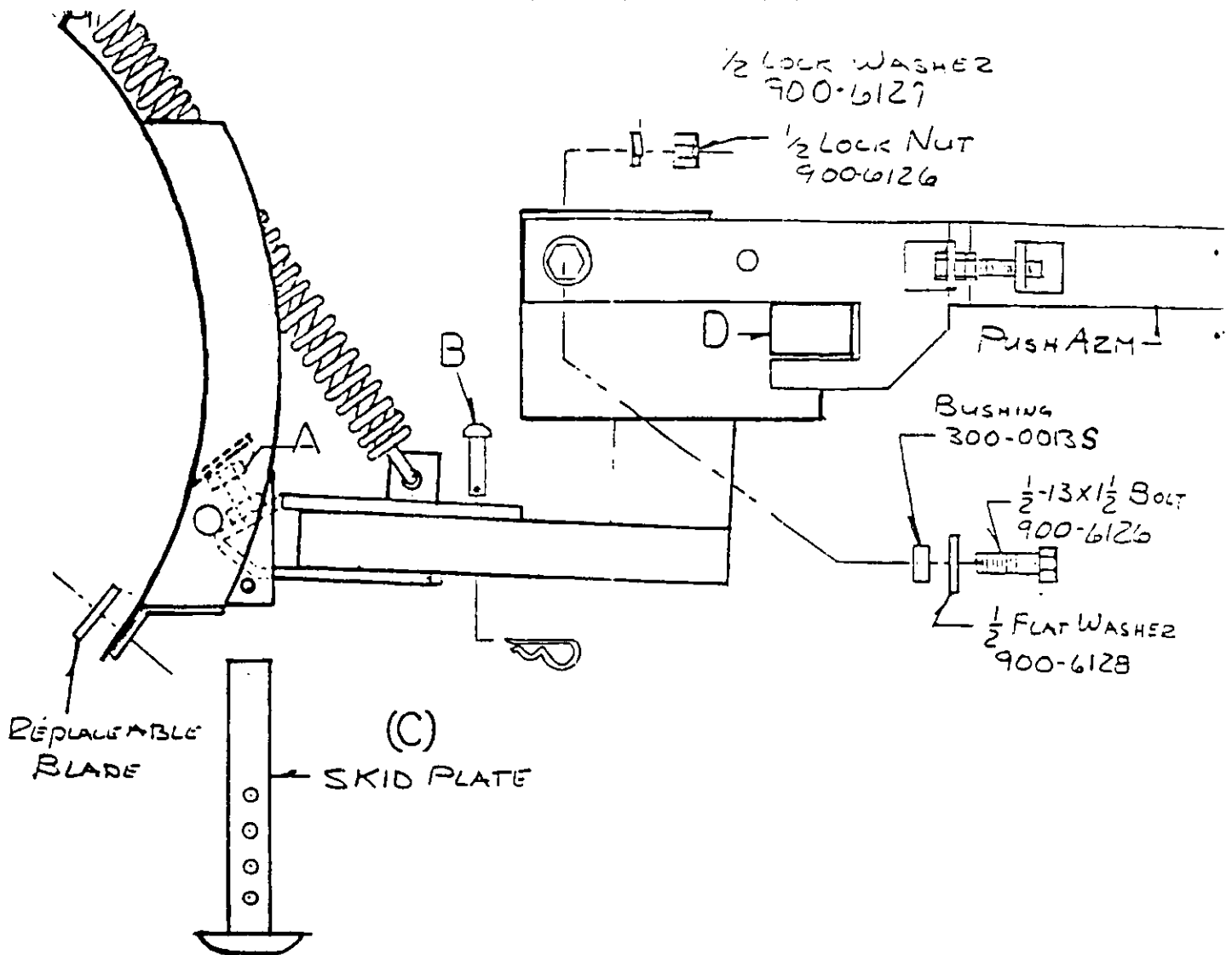
When grinding, care should be taken to maintain blade balance and the blade should be checked for proper balance before re-installation on the mower. Unbalanced or bent blades will cause excessive vibration when running, and eventually damage the mower gear box. An inexpensive blade balancer may be purchased from your dealer. To insure satisfactory operation, it is recommended that before the start of each mowing season, the old blades be discarded and replaced with new blades if worn excessively.

## CLEANING MOWER DECK

MOWER DECK SHOULD BE CLEANED AFTER EACH CUTTING FOR BEST CUTTING RESULTS

Water pressure from a garden hose can be used in cleaning underside of deck housing, if cleaned immediately after use, before clippings under mower has a chance to dry out. This should be done whenever an accumulation of grass builds up under mower.

\* Refer to deck care and adjustment drawing



### DOZER BLADE ATTACHMENT

Install dozer blade between push arms of tractor making sure that block (D) is in the slot. (See drawing above) Now by using bolts shown above, bolt in place.

NOTE: It is not necessary to remove deck drive belt.

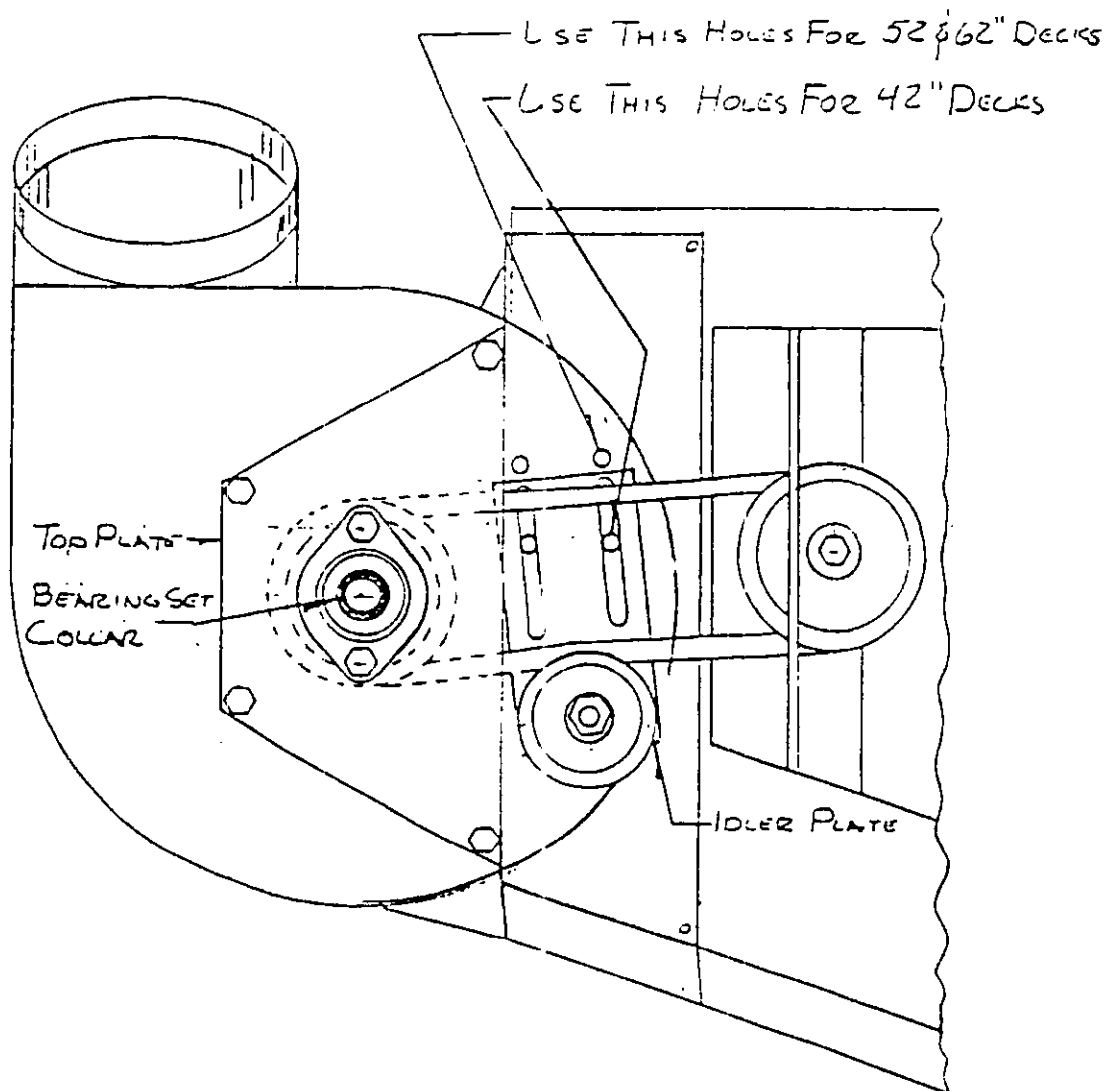
### DOZER BLADE ADJUSTMENT

There are three adjustments, at point (A) is for tilting blade front to back, this is done by simply changing length of the bolt. Point (B) is for swiveling blade from side to side. Point (C) is the skid plate, they are used to adjust the height of the cutting edge.

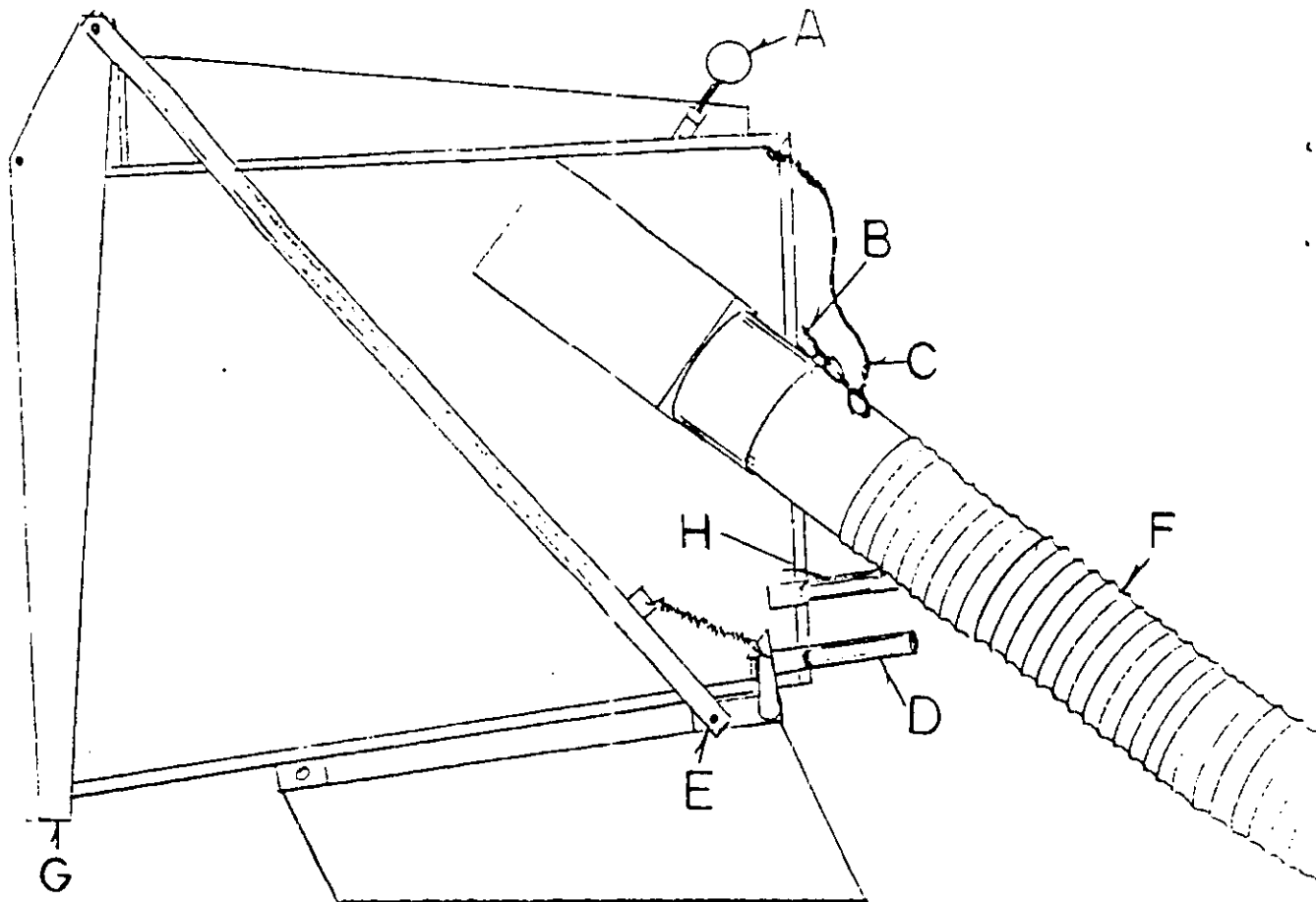
The replaceable blade is reversible for longer life.

### LUBRICATION

All moving parts should be oiled with a light weight oil.



1. Replace spindle shaft.
2. Remove grass chute and mount
3. Set blower in place
4. Clamp blower down
5. Use a 1/4in. drill bit and drill through mounting holes. (There is 3 holes)
6. Using 1/4-20x3/4 bolts, nuts and lock washers, bolt blower to deck
7. Bolt idler bracket plate down to top of blower. (See drawing to determine which holes to use)
8. To put belt on remove the four bolts in top plate. Turn top plate 90 degrees and tip enough to get belt between blower and top plate. Turn top plate back and leave the two bolts closest to the deck out until the guard is ready to be bolted on.
9. Tighten belt (DO NOT TIGHTEN TO EXCESS)
10. Bolt guards in place.



### GRASS BOX OPERATION

The round flag (A) on top of box rotates while box is being filled, when flag quits rotating this means that the box is full.

NOTE: Flag will not rotate if tub is plugged up

When grass box is full, drive mower to where you are going to dump the grass, stop mower and put it in neutral and lock levers. turn power to deck off. Unhook chain at point (B) and pull tub (F) out, let tub hang on rope (C). Then with your hand on handle (H) use your fingers and push down on handle (D) and this will release grass box. Drive forwards a little before closing box.

### GRASS BOX ADJUSTMENT AND LUBRICATION

If door (G) does not close properly, adjust it at point (E) by loosening bolt and sliding arms (I) to the back, this will make door fit tighter.

LUBRICATE all moving parts with a light weight oil.

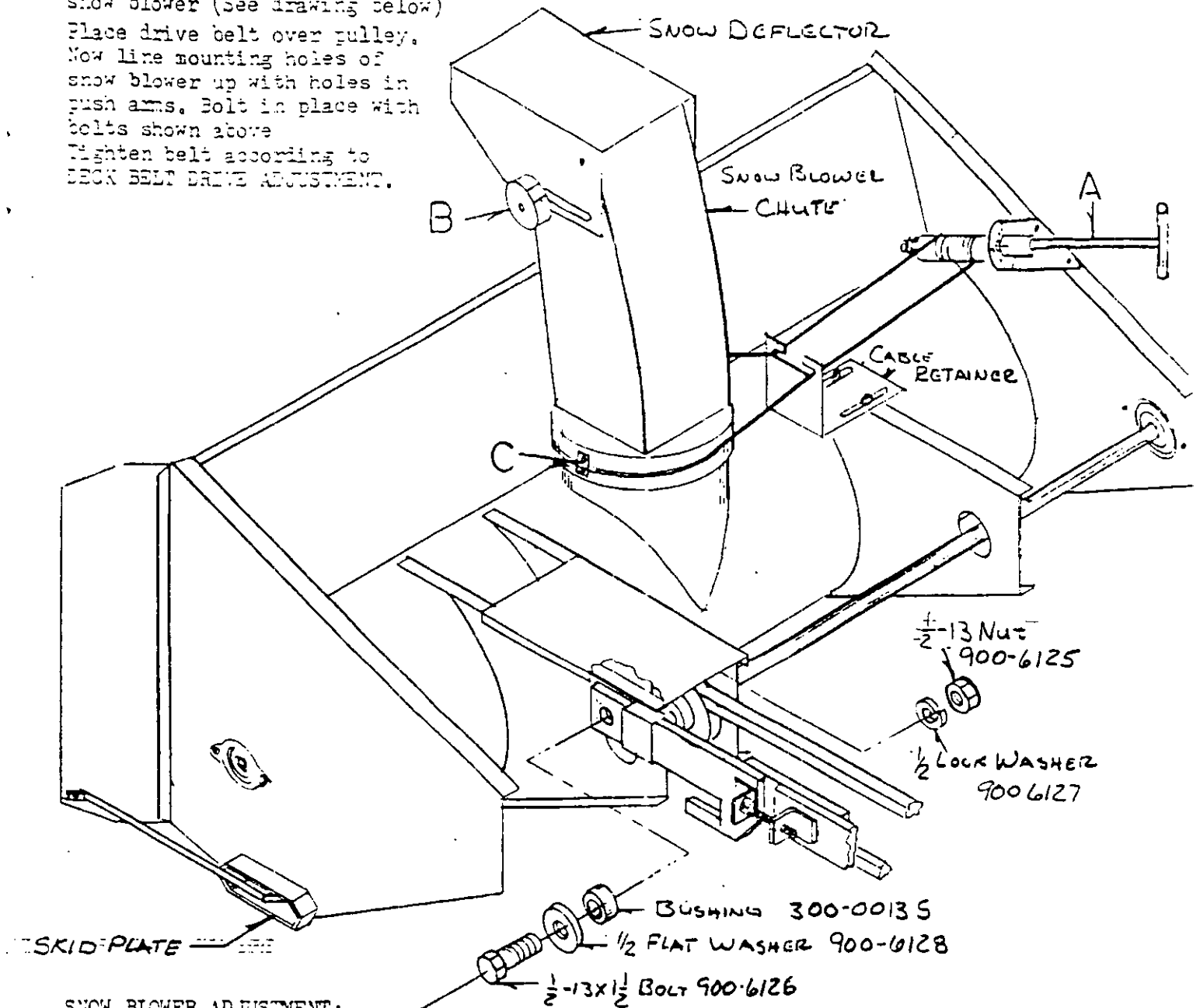


## SNOW BLOWER ATTACHMENT

Slide push arms through pocket on snow blower (See drawing below)

Place drive belt over pulley. Now line mounting holes of snow blower up with holes in push arms. Bolt in place with bolts shown above

Tighten belt according to BELT DRIVE ADJUSTMENT.



## SNOW BLOWER ADJUSTMENT:

To adjust snow blower chute, push handle (A) in and turn, the handle is spring loaded so it will lock back in place.

By loosening knob (B) you can pull snow deflector up and down to desired setting.

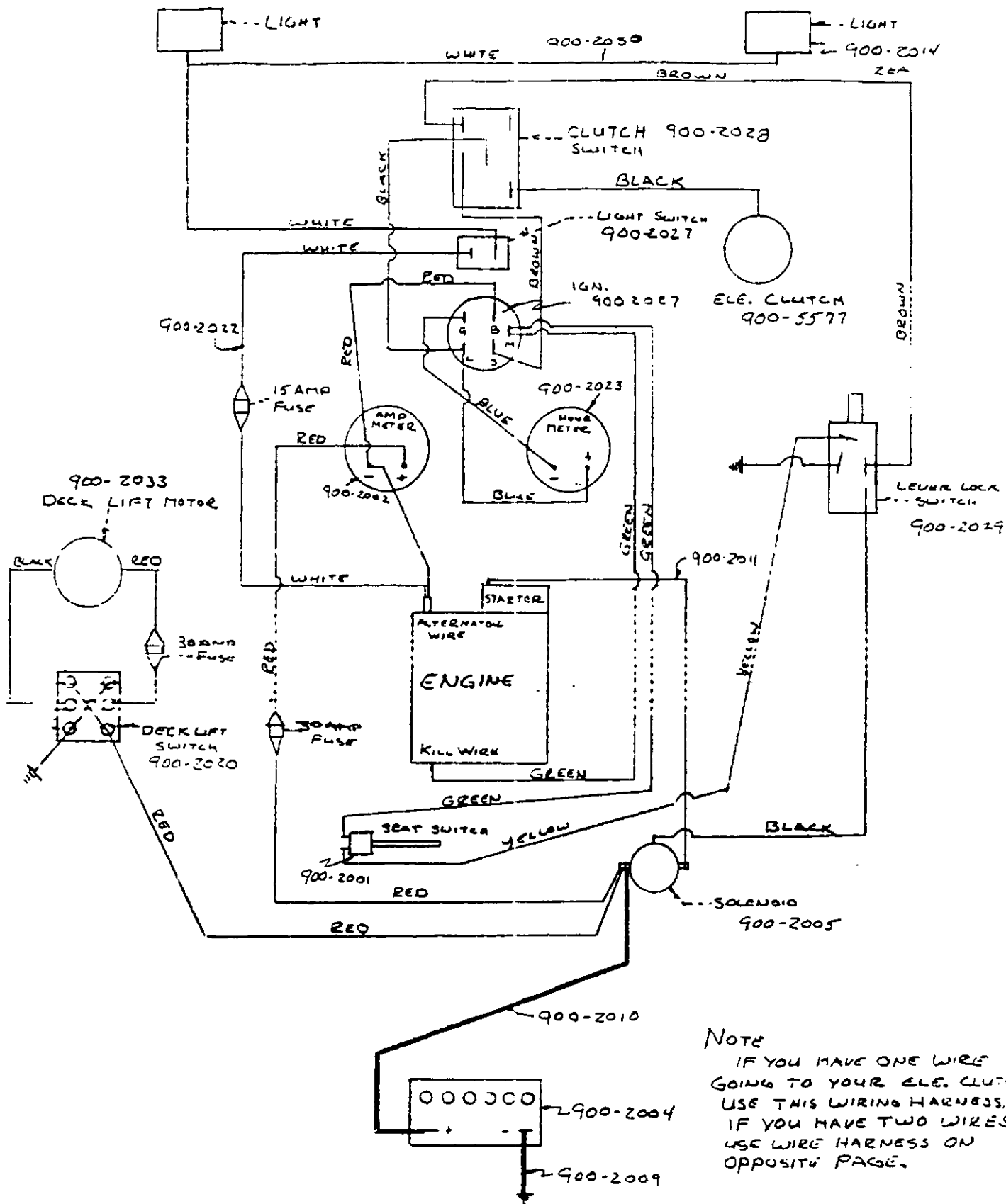
Loosening cable retainer will let you tighten cable, if cable can not be tightened enough, then you will have to loosen cable clamp at point (C) and pull cable up tight.

Skid shoes should be set up high enough to carry weight of snow blower, if you are clearing a gravelled area, skid shoes should be set high enough not to pick up rocks.

(CAUTION) Be sure to direct the snow away from bystanders and objects that can be damaged.

## LUBRICATION:

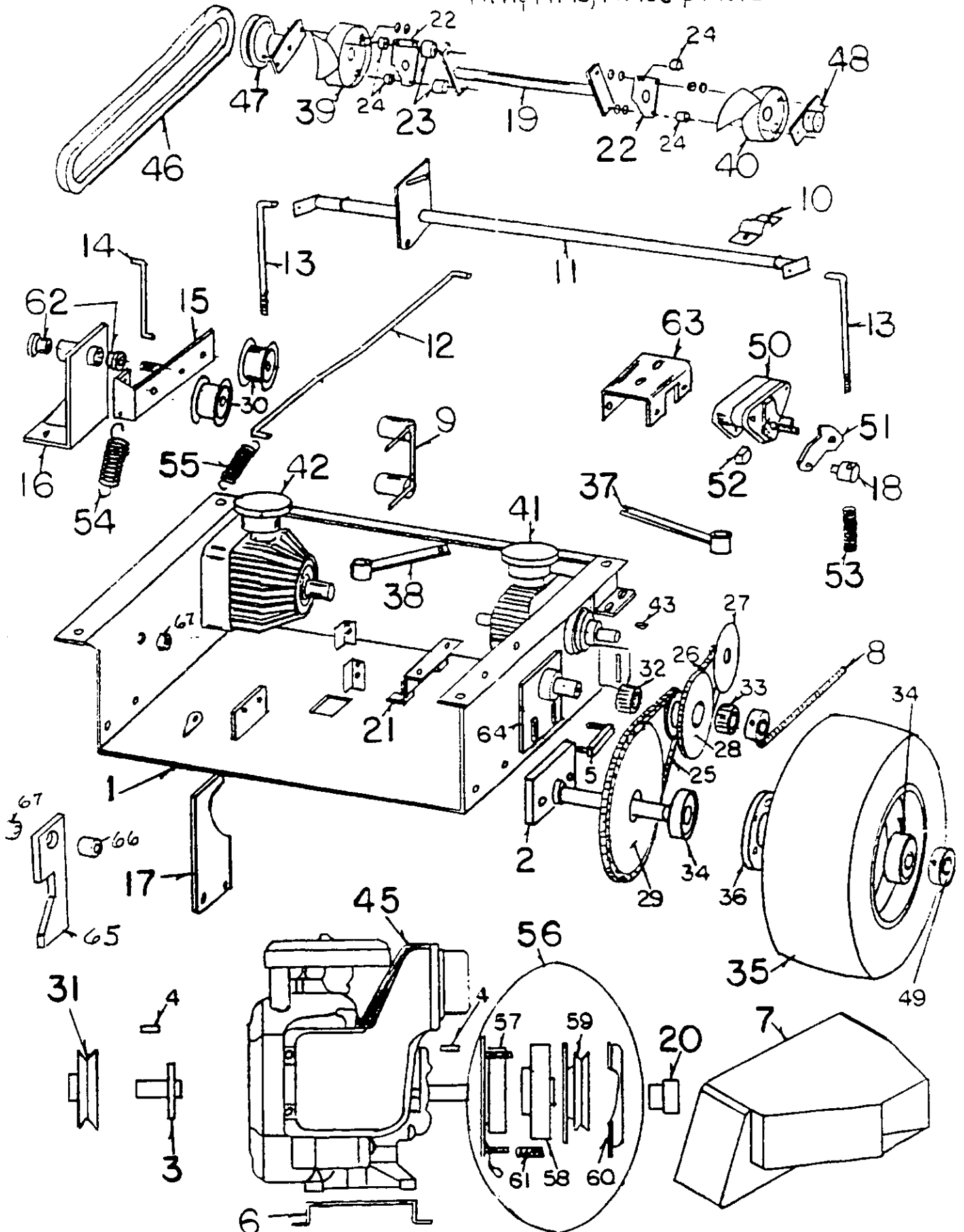
Use a light weight oil on all moving parts. Bearings are sealed, they do not require grease



WIRING HARNESS 900-2030 FR18 & FR18C ONLY

# BASE

FR 11 & FR 18, FR 18C & FR 12



BODY FR 11, FR 13 & FR 13C FR12

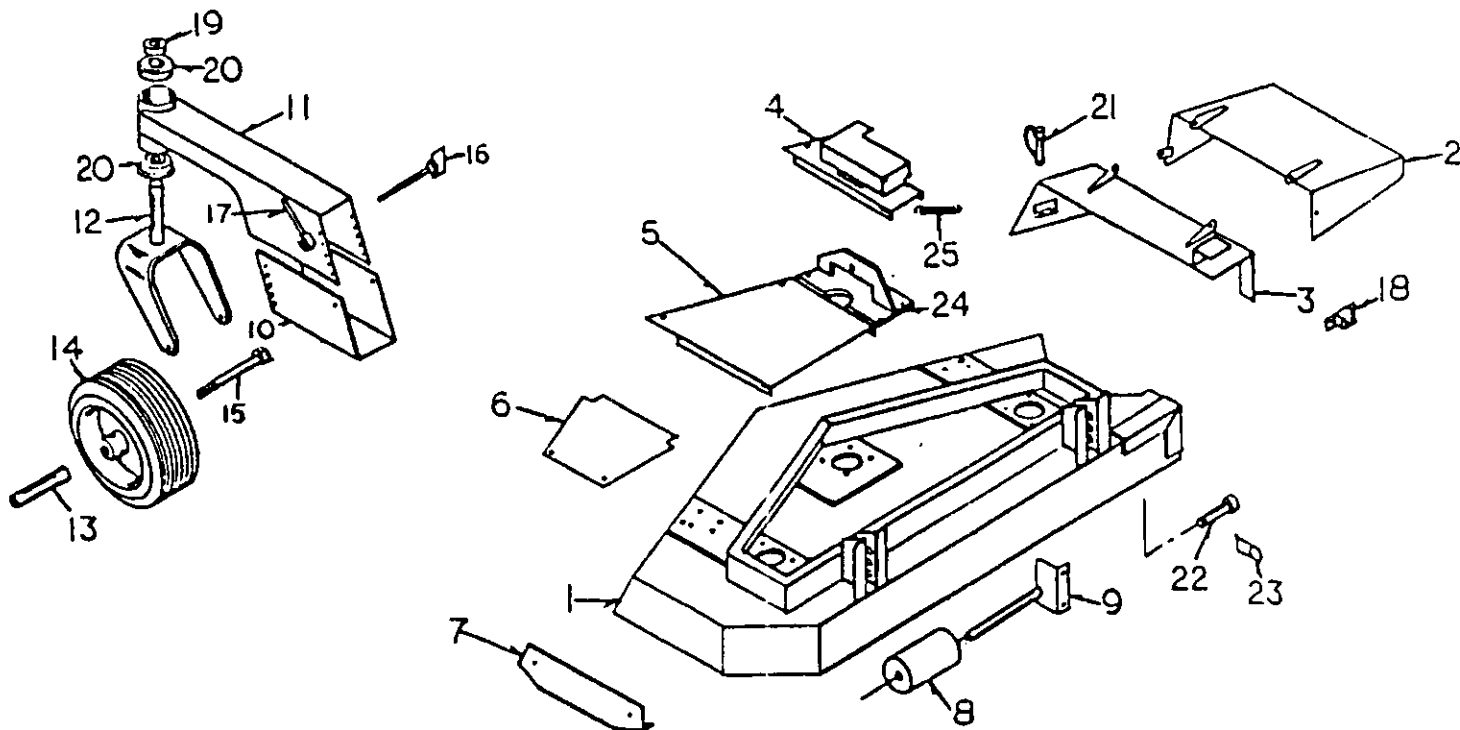
REF. NO.	PART NO.	NO. REQD.	DESCRIPTION
1.	201-0000	1	BODY
2.	200-0007	1	GUARD RAIL
3.	200-0008	1	LID PROP
4.	200-0009	2	STEERING LEVER
5.	200-0010	4	BEARING BLOCK, STEERING LEVER
6.	200-0012	1	LATCH, LEVER LOCK
7.	200-0013	4	STEERING CABLE END
8.	200-0014	4	BUSHING, STEERING CABLE END
9.	200-0015	4	BODY MOUNT WASHER
10.	200-0017	1	AXLE, TAIL WHEEL (FR11 & FR13)
10.	230-0017	1	AXLE, TAIL WHEEL (FR13C)
11.	200-0018	1	HOLD DOWN
12.	200-0021	1	BATTERY POST PROTECTOR
13.	201-0006	1	DASH BOARD
14.	201-0007	1	FENDER L.H.
15.	201-0008	1	FENDER R.H.
16.	201-0004	1	LID
17.	201-0009	1	BACK COVER
18.	201-0010	1	LEVER LOCK
19.	200-0016	1	TAIL WHEEL FORK (FR11)
19.	210-0001	1	TAIL WHEEL FORK (FR13)
19.	230-0001	1	TAIL WHEEL FORK (FR13C)
20.	900-2001	1	SHAT SWITCH
21.	900-2002	1	AMP. METER
22.	900-2003	1	STARTER SWITCH
23.	900-2005	1	SOLENOID
24.	900-2004	1	BATTERY
25.	900-2023	1	OUR METER
26.	900-2024	2	LENS
27.	900-2025	2	BLUB
28.	900-2026	2	LAMP
29.	900-2027	1	LIGHT SWITCH
30.	900-2028	1	CLUTH SWITCH
31.	900-2029	1	SAFTY SWITCH
32.	900-3503	2	BEARING, TAIL WHEEL HOUSING
33.	900-3505	2	BEARING, TAIL WHEEL
34.	900-4004	1	TAIL WHEEL ASSEMBLY (FR11)
34.	900-4014	1	TAIL WHEEL ASSEMBLY (FR13)
34.	900-4017	1	TAIL WHEEL ASSEMBLY (FR13C)
35.	900-5501	1	SPRING, LEVER LOCK
36.	900-5500	3	HANDLE GRIP
37.	900-5502	2	STEERING CABLE
38.	900-5503	4	CLAMP
39.	900-5506	1	SEAT
40.	900-5507	1	THROTTLE CABLE
41.	900-5508	1	CHROKE CABLE
42.	900-5509	3	RUBBER BODY MOUNT
43.	900-5510	1	SET COLLAR
44.	900-5513	1	VALVE, FUEL TANK
45.	900-5514	1	FUEL FILTER
46.	900-5516	1	FUEL HOSE
47.	900-5516 1ea. FR11 2ea. FR13 & FR13C		DECK SPRING
48.	900-5522	1	DOUS PASTERNER
49.	900-5523	4	SPACER, SEAT
50.	900-5525	4	CLAMP, FUEL HOSE
51.	900-5533	1	FUEL TANK
52.	900-5561	1	CAP FUEL TANK
53.	900-5562	2	SPRING
54.	900-5563	1	PAD, BRAKE
55.	201-0001	1	BRAKE LOCK
56.	201-0002	1	TUB, BRAKE LOCK

230-0002 1

TAIL WEIGHT (OPTIONAL)

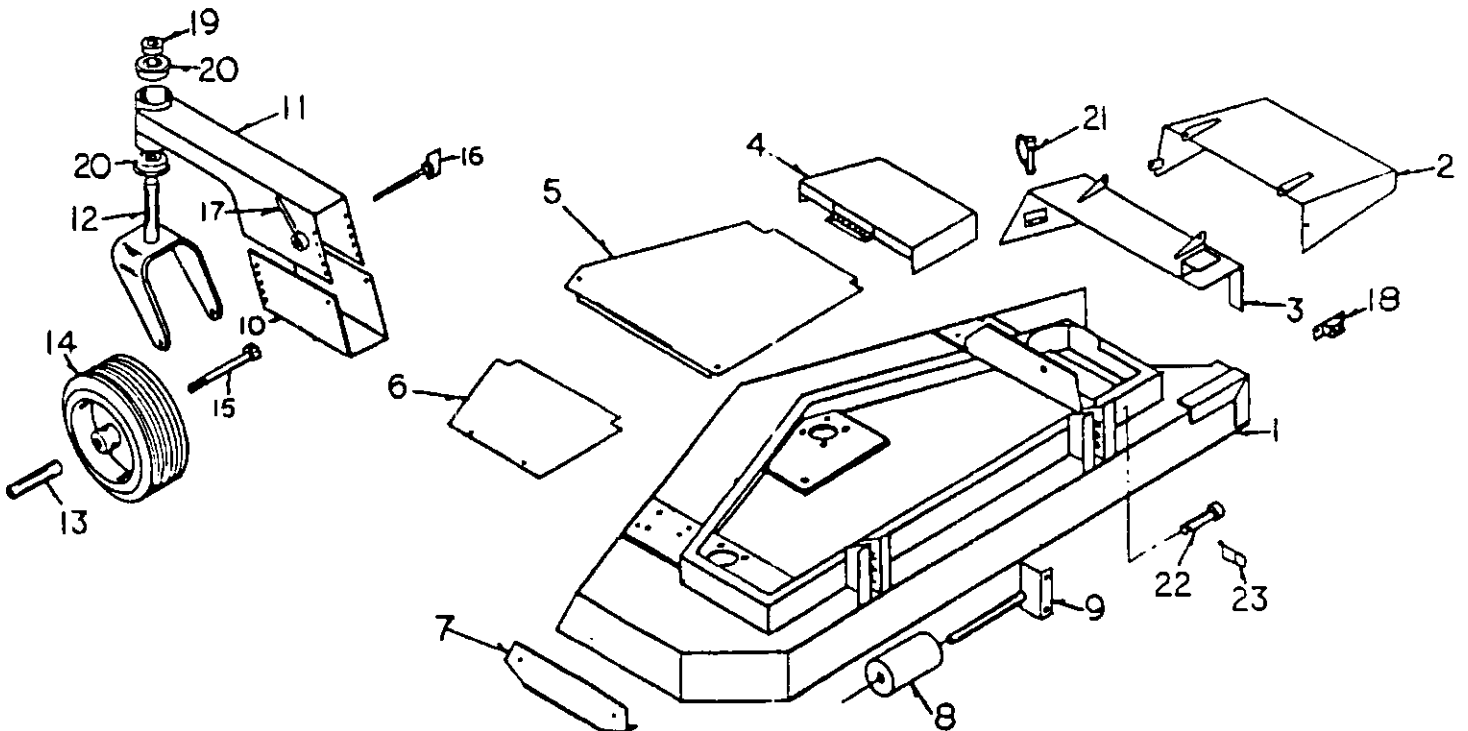
# 42" DECK PARTS

REF. NO.	PART NO.	AMT. REQ'D	DESCRIPTION	REF. NO.	PART NO.	AMT. REQ'D	DESCRIPTION
1.	310-0000	1	DECK	14.	900-4004	2	GAUGE WHEEL ASY. (C Model)
2.	320-0015	1	FOOT GUARD		900-4006		11 x 4.00 x 5 TIRE
3.	320-0016	1	FOOT GUARD MOUNT		900-4005		RIM 5"
4.	310-0002	1	PULLEY COVER		900-3505		BEARING (WHEELASSEMBLY)
5.	320-0003	1	CENTER COVER	15.	900-6036	2	AXLE BOLT (Regular Model)
6.	300-0001	1	LEFT HAND COVER	15.	900-6133	2	AXLE BOLT (C Model)
7.	310-0007	1	LEFT HAND SHOE	16.	900-6069	4	WING BOLT
8.	900-5559	1	ANTISCALP ROLLER	17.	900-6092	4	HANDLE NUT
9.	300-0038	1	SHAFT & BRACKET	18.	900-2044	1	10 AMP CIRCUIT BRAKER
10.	300-0044	2	GAUGE WHEEL MOUNT BRACKET	19.	900-5510	2	1" SET COLLAR
11.	300-0043	2	GAUGE WHEEL MOUNT	20.	900-3501	4	1" BEARING
12.	320-0018	2	FORK (Regular Model)	21.	900-5615	1	FAS-TATCH PIN
12.	310-0007	2	FORK (C Model)	22.	900-5519	2	DECK PIN
13.	320-0008	2	AXLE (Regular Model)	23.	900-5520	2	HAIR PIN COTTER
13.	200-0017	2	AXLE (C Model)	24.	310-0004	1	DECK MOUNT
14.	900-4007	2	GAUGE WHEEL ASY. (Regular Model)	25.	900-5562	1	SPRING
	900-3510		BEARING (WHEEL ASSEMBLY)				



# 52" DECK PARTS

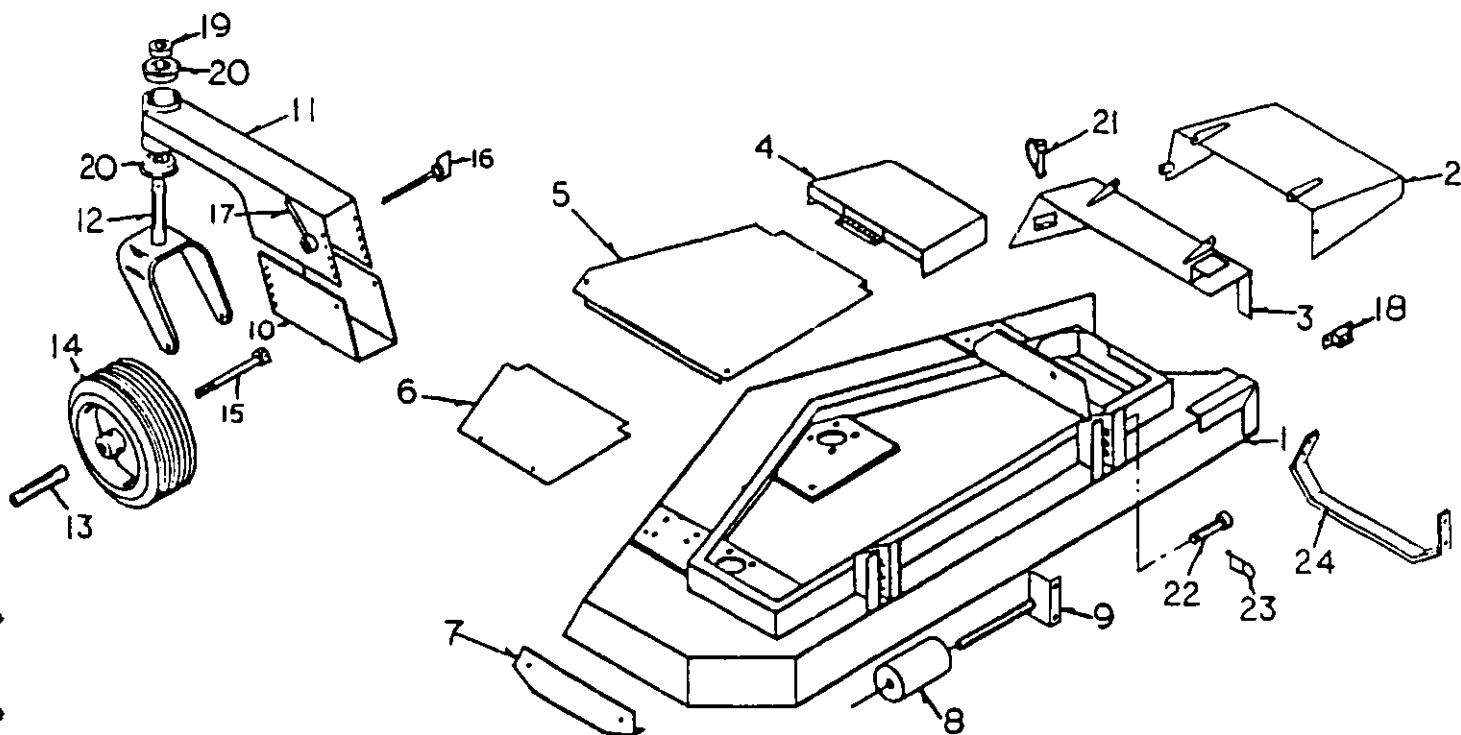
REF. NO.	PART NO.	AMT. REQ'D	DESCRIPTION	REF. NO.	PART NO.	AMT. REQ'D	DESCRIPTION
1.	320-0000	1	52" DECK	14.	600-4004	2	GAUGE WHEEL ASSEMBLY
2.	320-0015	1	FOOT GUARD		600-4006		11 x 4.00 x 5 TIRE
3.	320-0016	1	FOOT GUARD MOUNT		600-4005		RIM 5"
4.	320-0011	1	PULLEY COVER		600-3505		BEARING (WHEEL ASSEMBLY)
5.	320-0002	1	CENTER COVER	15.	600-6133	2	AXLE BOLT
6.	320-0001	1	LEFT HAND COVER	16.	600-6096	4	WING BOLT
7.	320-0014	1	LEFT HAND SHOE	17.	600-6092	4	HANDLE NUT
8.	900-5559	1	ANTISCALP ROLLER	18.	600-2044	1	10 AMP CIRCUIT BREAKER
9.	300-0038	1	SHAFT & BRACKET	19.	600-5510	2	1" SET COLLAR
10.	300-0044	2	GAUGE WHEEL MOUNT BRACKET	20.	600-3501	4	1" BEARING
11.	300-0043	2	GAUGE WHEEL MOUNT	21.	600-5615	1	FAS-TATCH PIN
12.	330-0007	2	FORK	22.	600-5519	2	DECK PIN
13.	200-0017	2	AXLE	23.	600-5520	2	HAIR PIN COTTER



# 62" DECK PARTS

REF. NO.	PART NO.	AMT. REQ'D	DESCRIPTION
1.	330-0000	1	62" DECK
2.	330-0027	1	FOOT GUARD
3.	330-0028	1	FOOT GUARD MOUNT
4.	330-0025	1	MULLEY COVER
5.	330-0002	1	CENTER COVER
6.	330-0001	1	LEFT HAND COVER
7.	330-0008	1	LEFT HAND SHOE
8.	900-5559	1	ANTISCALP ROLLER
9.	300-0038	1	SHAFT & BRACKET
10.	300-0044	2	GAUGE WHEEL MOUNT BRACKET
11.	300-0043	2	GAUGE WHEEL MOUNT
12.	330-0007	2	FORK
13.	200-0017	2	AXLE

REF. NO.	PART NO.	AMT. REQ'D	DESCRIPTION
14.	900-4004	2	GAUGE WHEEL ASSEMBLY
	900-4006		11 x 4.00 x 5 TIRE
	900-4005		RIM 5"
	900-3505		BEARING (WHEEL ASSEMBLY)
15.	900-6133	2	AXLE BOLT
16.	900-6096	4	WING BOLT
17.	900-6092	4	HANDLE NUT
18.	900-2044	1	10 AMP CIRCUIT BREAKER
19.	900-5510	2	1" SET COLLAR
20.	900-3501	4	1" BEARING
21.	900-5615	1	FAST-TATCH PIN
22.	900-5519	2	DECK PIN
23.	900-5520	2	HAIR PIN COTTER
24.	330-0011	1	RIGHT HAND SHOE



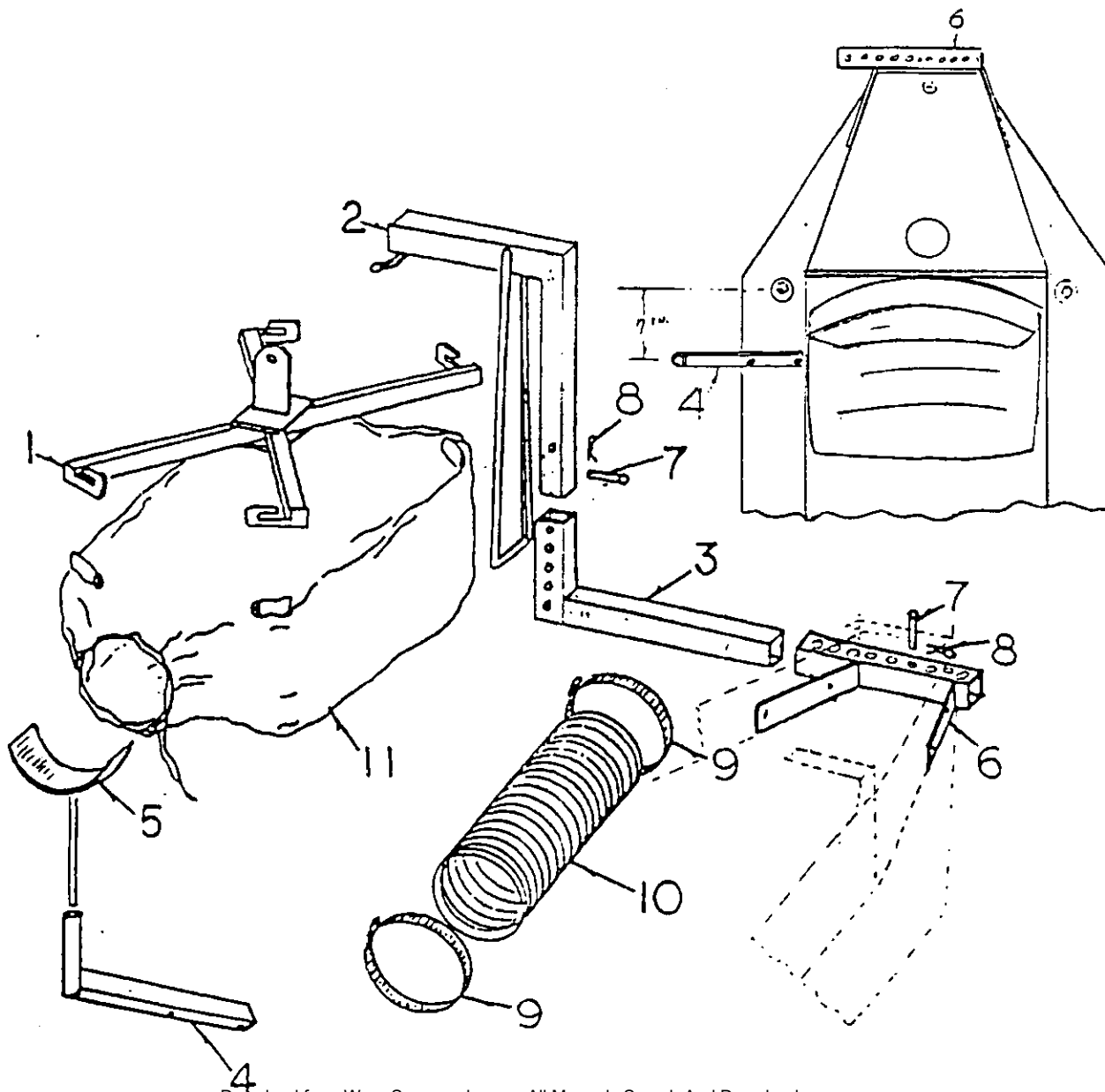
# BLOWER ASSEMBLY

REF. NO.	PART NO.	QTY. RECD.	DESCRIPTION
1.	400-0000	1	Blower Housing 42" & 52" Deck
1.	400-0007	1	Blower Housing 62" Deck
2.	400-0001	1	Blower Cap
3.	400-0002	1	Blower Bearing Plate
4.	400-0003	1	Blower Blade Assembly
5.	400-0004	1	Blower Blade
6.	400-0005	1	Belt Tightener
7.	300-0033	1	Long Spindle Shaft 42"&52" Deck
7.	300-0040	1	Long Spindle Shaft 62" Deck
8.	900-2507	1	Pulley 42" Deck
9.	900-2501	1	Idler Pulley
10.	900-2523	1	Blower Pulley
11.	900-3010	1	Belt 42" Deck w/16 or 18 HP
11.	900-3013	1	Belt 42" Deck w/ 12.5 HP
11.	900-3000	1	Belt 52" Deck
11.	900-3014	1	Belt 62" Deck
12.	300-0021	3	Key
13.	900-3508	4	Flange
14.	900-3509	2	3/4" Bearing w/ lock collar
15.	900-2507	1	Spindle Pulley 42" Deck w/ 16 or 18 HP
15.	900-2528	1	Spindle Pulley 42" Deck w/ 12.5 HP
16.	900-2511	2	Spindle Pulley 52" Deck
16.	900-2512	2	Spindle Pulley 62" Deck

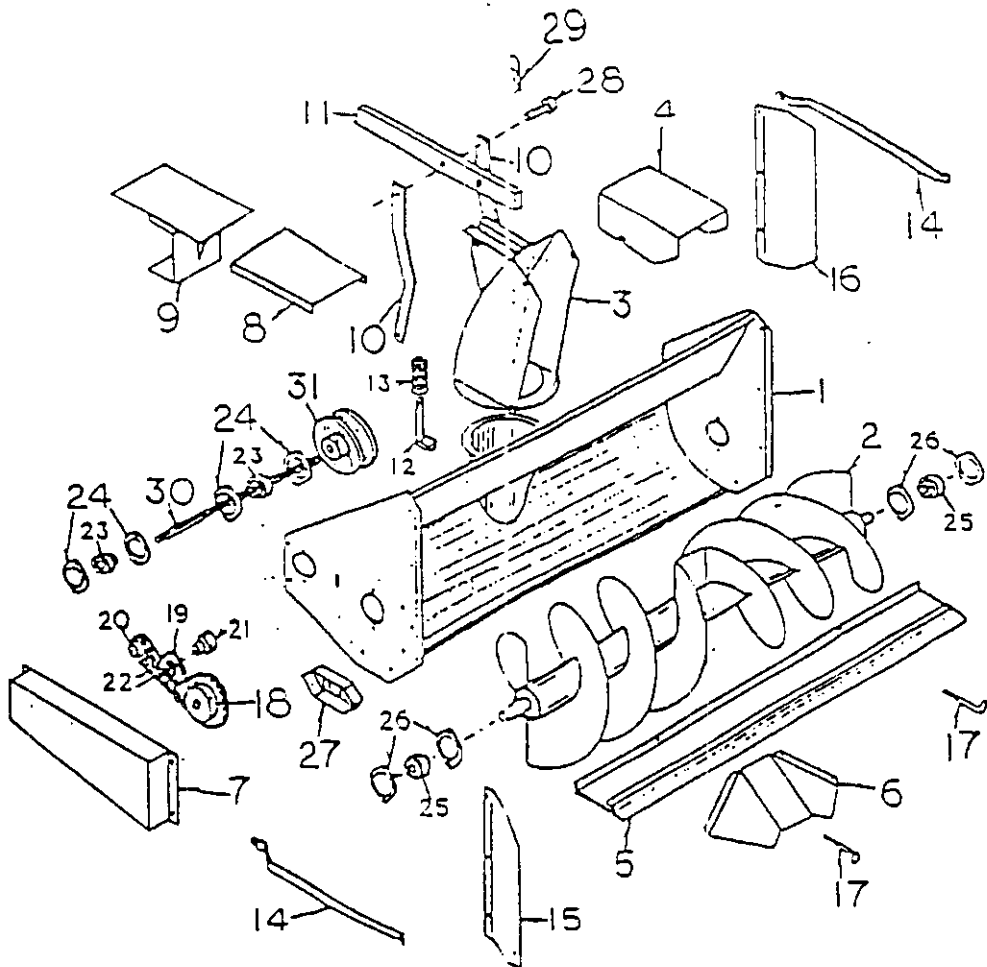


GRASS BAGER

REF. NO.	PART NO.	NO. REQ'D	DESCRIPTION
1.	410-0000	1	GRASS BAG HANGER
2.	410-0001	1	VERTICAL ARM
3.	410-0002	1	HORIZONTAL ARM
4.	410-0003	1	HANGER BRACKET
5.	410-0004	1	VAC HOSE SADDLE
6.	410-0005	1	REAR MOUNTING BRACKET
7.	900-5555	2	PINS
8.	900-5520	2	HAIR PINS
9.	900-5550	2	HOSE CLAMP
10.	900-5551	1	HOSE
11.	900-5553	1	BAG
4 & 6	900-6050	6	5/16-18 Nut
4 & 6	900-6051	6	5/16 LOCK WASHER
4 & 6	900-6054	6	5/16-18 x 3/4 BOLT

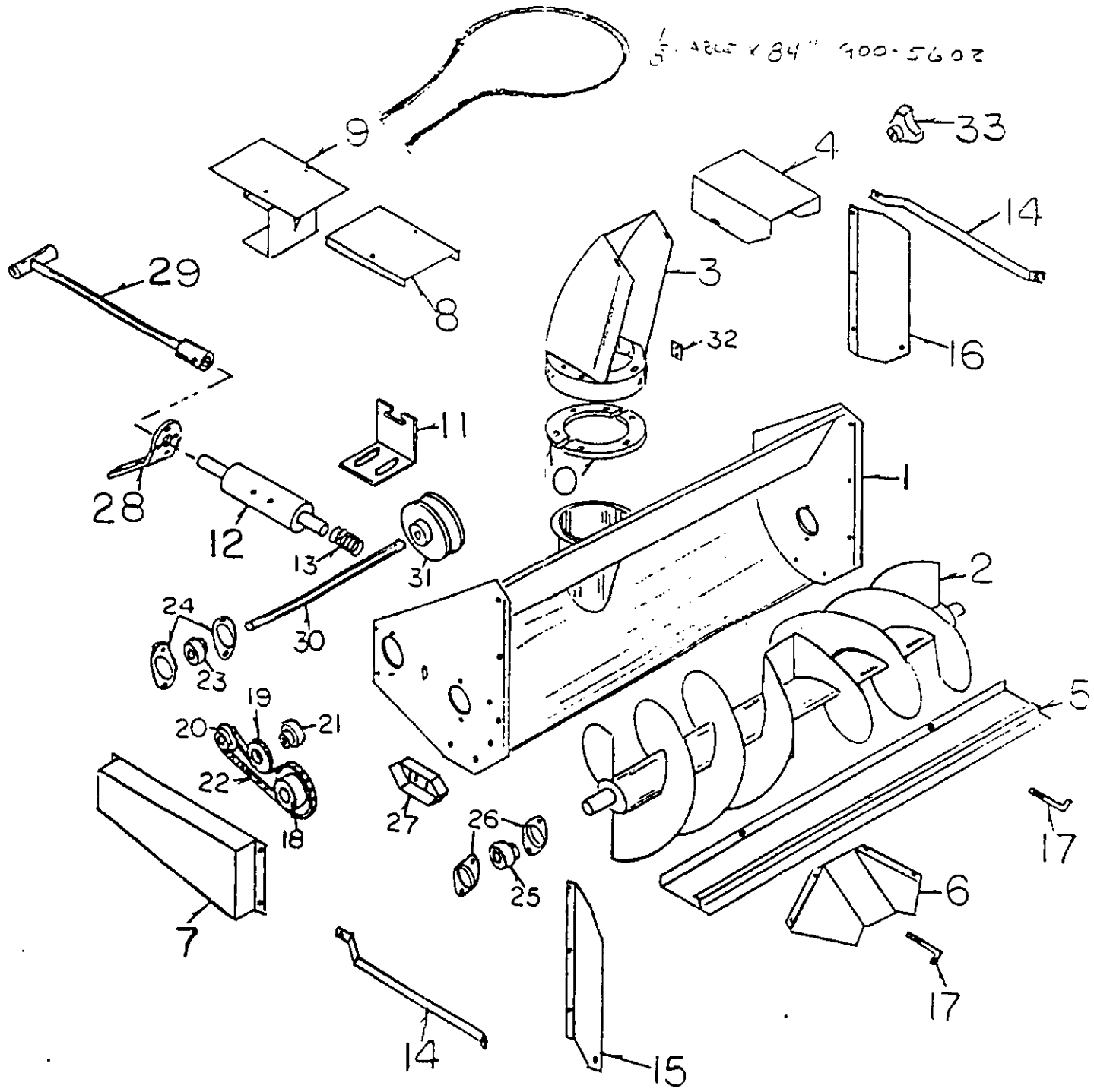


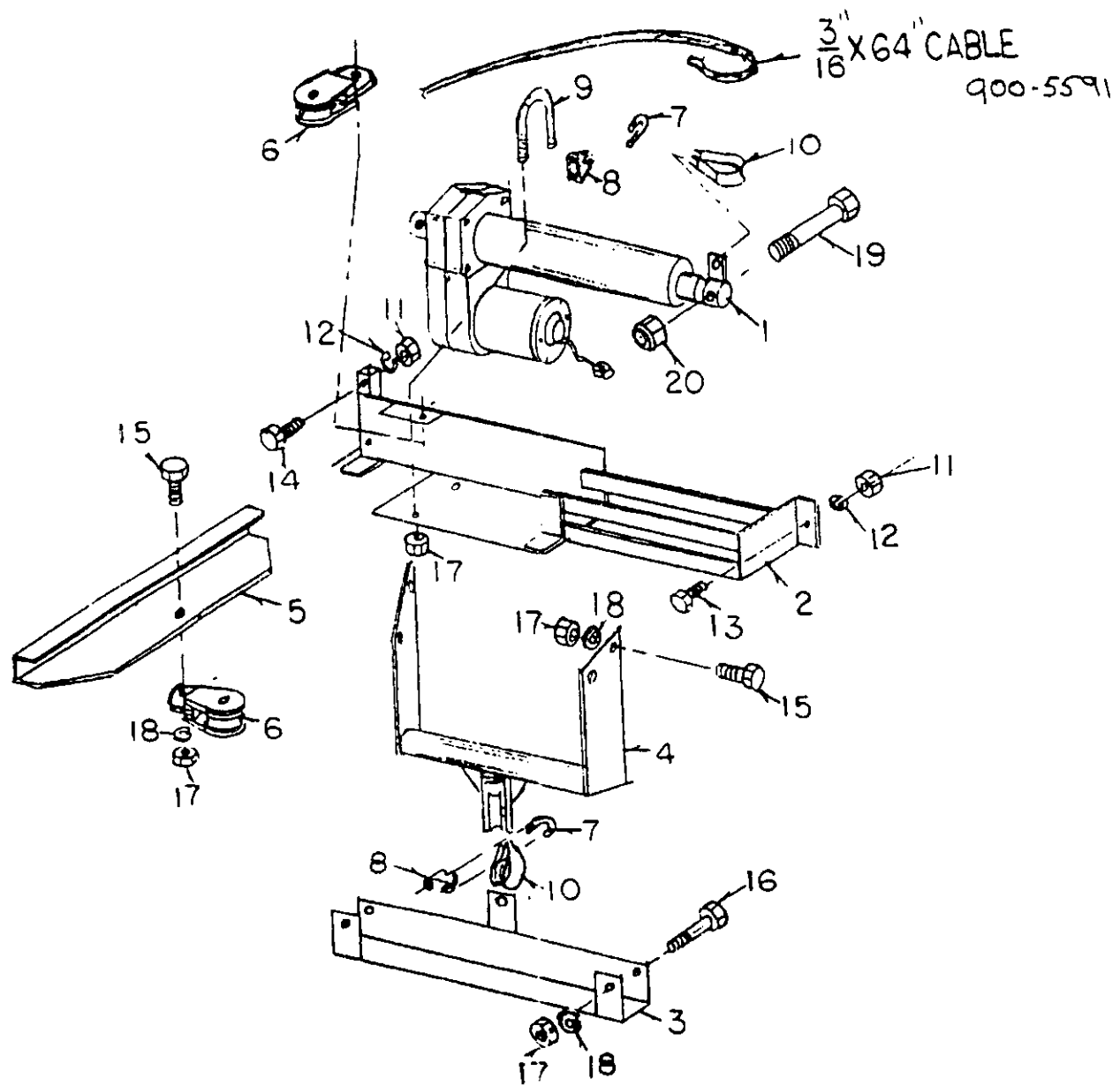
# SNOWBLOWER



REF. NO.	PART NO.	NO. REQD.	DESCRIPTIONS
1.	430-0000	1	SNOWBLOWER HOUSING
2.	430-0001	1	AUGER
3.	430-0002	1	CHUTE
4.	430-0003	1	SNOW DEFLECTOR
5.	430-0004	1	BLADE
6.	430-0005	1	SNOW RETAINER
7.	430-0006	1	CHAIN GUARD
8.	430-0007	1	BELT GUARD (used with ele. clutched covers only)
9.	430-0008	1	BELT RETAINER (used on mechanical clutched cover only)
10.	430-0009	2	CHUTE LOCK LINKAGE
11.	430-0010	1	HANDLE
12.	430-0011	1	CHUTE LOCK
13.	900-5579	1	CHUTE LOCK SPRING
14.	430-0012	2	EXTENDER BRACES
15.	430-0013	1	R.H. EXTENDER
16.	430-0014	1	L.H. EXTENDER
17.	430-0015	2	BLADE BOLT
18.	900-1508	1	AUGER SPROCKET
19.	900-1507	1	IDLER SPROCKET
20.	900-1506	1	DRIVE SPROCKET
21.	430-0016	1	IDLER SPROCKET BUSHING
22.	900-1006	1	CHAIN
23.	900-3509	2	3/4 BEARING
24.	900-3508	4	3/4 BEARING FLANGE
25.	900-3512	2	1 1/2 BEARING
26.	900-3511	4	1 1/2 BEARING FLANGE
27.	430-0017	2	SKID SHOES
28.	900-5519	1	PIN
29.	900-5520	1	HAIR PIN
30.	430-0018	1	SHAFT
31.	900-2510	1	PULLEY

5. ARCS X 84" 900-5602





REF. NO.	PART NO.	NO. REQD.	DESCRIPTION
1.	900-2033	1	Actuator
2.	450-0000	1	Actuator Mount
3.	450-0002	1	Deck Lift Adapter
4.	450-0003	1	Cable Mount (Nose)
5.	450-0001	1	Cable Mount (Side)
6.	900-5589	2	Cable Pulley
7.	900-5503	2	U-Bolt (Cable)
8.	900-5593	2	Cable Clamp
9.	900-5592	1	U-Bolt (Actuator)
10.	900-5599	2	Cable Thimble
11.	900-6026	3	1/4-20 Nuts
12.	900-6028	3	1/4 Lock Washers
13.	900-6039	1	1/4-20 x 3/4
14.	900-6031	2	1/4-20 x 1
15.	900-6056	4	5/16-18 x 1
16.	900-6061	2	5/16-18 x 2
17.	900-6050	6	5/16-18 Nut
18.	900-6051	6	5/16 Lock Washers
19.	900-6136	1	1/2-13 x 4
20.	900-6126	1	1/2-13 Lock Nut

## Free Manuals Download Website

<http://myh66.com>

<http://usermanuals.us>

<http://www.somanuals.com>

<http://www.4manuals.cc>

<http://www.manual-lib.com>

<http://www.404manual.com>

<http://www.luxmanual.com>

<http://aubethermostatmanual.com>

Golf course search by state

<http://golfingnear.com>

Email search by domain

<http://emailbydomain.com>

Auto manuals search

<http://auto.somanuals.com>

TV manuals search

<http://tv.somanuals.com>