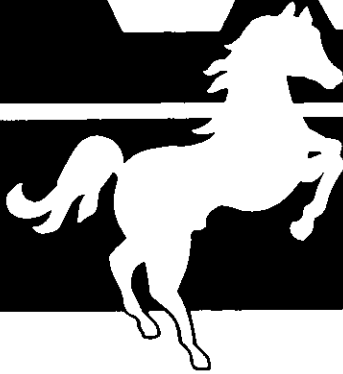
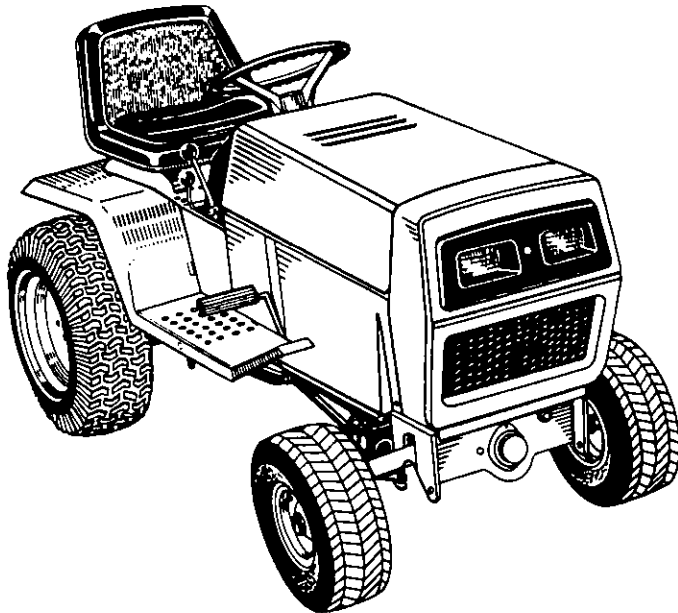


WHITE



OUTDOOR PRODUCTS OWNER'S GUIDE



HYDROSTATIC GARDEN TRACTOR

**Model Number
142-996-190**

Thank you for purchasing an American built product.


WARNING: This unit is equipped with an internal combustion engine and should not be used on or near any unimproved forest-covered, brush-covered or grass-covered land unless the engine's exhaust system is equipped with a spark arrester meeting applicable local or state laws (if any). If a spark arrester is used, it should be maintained in effective working order by the operator.

In the State of California the above is required by law (Section 4442 of the California Public Resources Code). Other states may have similar laws. Federal laws apply on federal lands. A spark arrester for the muffler is available through your nearest engine authorized service dealer or contact the service department, P.O. Box 360900, Cleveland, Ohio 44136.

IMPORTANT

SAFE OPERATION PRACTICES



THIS SYMBOL POINTS OUT IMPORTANT SAFETY INSTRUCTIONS WHICH, IF NOT FOLLOWED, COULD ENDANGER THE PERSONAL SAFETY AND/OR PROPERTY OF YOURSELF AND OTHERS. READ AND FOLLOW ALL INSTRUCTIONS IN THIS MANUAL BEFORE ATTEMPTING TO OPERATE YOUR UNIT. WHEN YOU SEE THIS SYMBOL—  **HEED ITS WARNING.**



DANGER:

This cutting machine is capable of amputating hands and feet and throwing objects. Failure to observe the following safety instructions could result in serious injury or death.

I. GENERAL OPERATION

1. Read, understand, and follow all instructions in the manual and on the machine before starting. Keep this manual in a safe place for future reference and for ordering replacement parts.
2. Only allow responsible adults familiar with the instructions to operate the machine. Know controls and how to stop the machine quickly.
3. Do not put hands or feet under cutting deck or near rotating parts.
4. Clear the area of objects such as rocks, toys, wire, etc. which could be picked up and thrown by the blade. A small object may have been overlooked and could be accidentally thrown by the mower in any direction and cause injury to you or a bystander. Always wear safety glasses or eye shields during operation or while performing an adjustment or repair, to protect eyes from foreign objects. Stop the blade(s) when crossing gravel drives, walks or roads.
5. Be sure the area is clear of other people before mowing. Stop machine if anyone enters the area.
6. Never carry passengers.
7. Disengage blade(s) before shifting into reverse and backing up. Always look down and behind before and while backing.
8. Be aware of the mower and attachment discharge direction and do not point it at anyone. Do not operate the mower without either the entire grass catcher or the chute guard in place.
9. Slow down before turning. Operate the tractor smoothly. Avoid erratic operation and excessive speed.
10. Never leave a running machine unattended. Always turn off blade(s), place transmission in neutral, set park brake, stop engine and remove key before dismantling.
11. Turn off blade(s) when not mowing.
12. Stop engine and wait until blade(s) comes to a complete stop before (a) removing grass catcher or unclogging chute, or (b) making any repairs, adjusting or removing any grass or debris.
13. Mow only in daylight or good artificial light.
14. Do not operate the machine while under the influence of alcohol or drugs.
15. Watch for traffic when operating near or crossing roadways.
16. Use extra care when loading or unloading the machine into a trailer or truck. This unit should not be driven up or down a ramp onto a trailer or truck under power, because the unit could tip over, causing serious personal injury. The unit must be pushed manually to load or unload properly.
17. Never make a cutting height adjustment while engine is running if operator must dismount to do so.
18. Wear sturdy, rough-soled work shoes and close-fitting slacks and shirts. Do not wear loose fitting clothes or jewelry. They can be caught in moving parts. Never operate a unit in bare feet, sandals, or sneakers.
19. Check overhead clearance carefully before driving under power lines, wires, bridges or low hanging tree branches, before entering or leaving buildings, or in any other situation where the operator may be struck or pulled from the unit, which could result in serious injury.
20. Disengage all attachment clutches, thoroughly depress the brake pedal, and shift into neutral before attempting to start engine.

II. SLOPE OPERATION

Slopes are a major factor related to loss of control and tip-over accidents which can result in severe injury or death. **All** slopes require extra caution. If you cannot back up the slope or if you feel uneasy on it, do not mow it.

DO:

Mow up and down slopes, not across.

Remove obstacles such as rocks, limbs, etc.

Watch for holes, ruts or bumps. Uneven terrain could overturn the machine. **Tall grass can hide obstacles.**

Use slow speed. Choose a low enough gear so that you will not have to stop or shift while on the slope. Always keep tractor in gear when going down slopes to take advantage of engine braking action.

Follow the manufacturer's recommendations for wheel weights or counterweights to improve stability.

Use extra care with grass catchers or other attachments. These can change the stability of the machine.

Keep all movement on the slopes **slow** and **gradual**. Do not make sudden changes in speed or direction. Rapid engagement or braking could cause the front of the machine to lift and rapidly flip over backwards which could cause serious injury.

Avoid starting or stopping on a slope. If tires lose traction, disengage the blade(s) and proceed slowly **straight** down the slope.

For your safety, use the slope gauge included as part of this manual to measure slopes before operating this unit on a sloped or hilly area. If the slope is greater than 15° as shown on the slope gauge, do not operate this unit on that area or serious injury could result.

DO NOT:

Do not turn on slopes unless necessary; then, turn slowly and gradually downhill, if possible.

Do not mow near drop-offs, ditches or embankments. A wheel over the edge or an edge caving in could cause sudden overturn.

Do not mow on wet grass. Reduced traction could cause sliding.

Do not try to stabilize the machine by putting your foot on the ground.

Do not use grass catcher on steep slopes.

III. CHILDREN

Tragic accidents can occur if the operator is not alert to the presence of children. Children are often attracted to the machine and the mowing activity. **Never** assume that children will remain where you last saw them.

1. Keep children out of the mowing area and in watchful care of an adult other than the operator.
2. Be alert and turn machine off if children enter the area.
3. Before and when backing, look behind and **down** for small children.
4. Never carry children. They may fall off and be seriously injured or interfere with the safe machine operation.
5. Never allow children under 14 years old to operate the machine. Children 14 years and over should only operate machine under close parental supervision and proper instruction.
6. Use extra care when approaching blind corners, shrubs, trees or other objects that may obscure vision.

IV. SERVICE

1. Use extra care in handling gasoline and other fuels. They are flammable and vapors are explosive.
 - a. Use only an approved container.
 - b. Never remove gas cap or add fuel with the engine running. Allow engine to cool at least two minutes before refueling. Do not smoke.
 - c. Never refuel the machine indoors.
 - d. Never store the machine or fuel container inside where there is an open flame, or spark, such as a water heater, space heater, clothes dryer and the like.
2. Never run a machine inside a closed area.
3. Check frequently and keep nuts and bolts, especially blade attachment bolts, tight and keep equipment in safe working condition.
4. Never tamper with safety devices. Check their proper operation regularly. Use all guards as instructed in this manual.
5. To reduce fire hazard, keep machine free of grass, leaves or other debris build-up. Clean up oil or fuel spillage. Allow machine to cool before storing.
6. Stop and inspect the equipment for damage if you strike an object. Repair, if necessary, before re-starting and operating the machine.
7. Never make adjustments or repairs with the engine running.
8. Grass catcher components are subject to wear, damage and deteriorate, which could expose moving parts or allow objects to be thrown. Frequently, check components and replace with manufacturer's recommended parts when necessary.
9. Mower blades are sharp and can cut. Wrap the blade(s) or wear gloves and use extra caution when servicing blade(s).
10. Check brake operation frequently. Adjust and service as required.
11. Muffler, engine, and belt guards become hot during operation and can cause a burn. Allow to cool down before touching.
12. Do not change the engine governor settings or overspeed the engine.



DANGER: Your unit was built to be operated according to the rules for safe operation in this manual. As with any type of power equipment, carelessness or error on the part of the operator can result in serious injury. If you violate any of these rules, you may cause serious injury to yourself or others.

ASSEMBLY INSTRUCTIONS

BATTERY INFORMATION



WARNING

- A. Battery acid must be handled with great care as contact with it can burn and blister the skin. It is also advisable to wear protective clothing (goggles, rubber gloves and apron) when working with it.*
- B. Should battery acid accidentally splatter into the eyes or onto the face, rinse the affected area immediately with clean, cold water. If there is any further discomfort, seek prompt medical attention.
- C. If acid spills on clothing, first dilute it with clean water, then neutralize with a solution of ammonia/water or baking soda/water.
- D. Since battery acid is corrosive, do not pour it into any sink or drain. Before discarding empty electrolyte containers, rinse them with a neutralizing solution.
- E. NEVER connect or disconnect charger clips to battery while charger is turned on as it can cause sparks.
- F. Keep all lighted materials (cigarettes, matches, lighters) away from the battery as the hydrogen gas generated during charging can be combustible.
- G. As a further precaution, only charge the battery in a well-ventilated area.

***Always shield eyes, protect skin and clothing when working near batteries.**

Screwdriver

Fill Caps

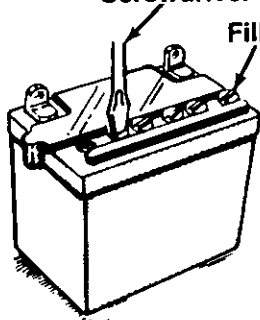


FIGURE 1.

IMPORTANT: This unit is shipped WITHOUT GASOLINE or OIL; however, a small amount of oil may be present from the factory. Do not overfill. After assembly, service engine with gasoline and oil as instructed in the separate engine manual packed with your unit.

NOTE: Reference to right or left hand side of the unit is observed from the driver's seat, facing forward. Refer to the separate deck manual for information concerning the deck.

UNPACKING

Remove the carton from the tractor as follows. Cut and remove the bands around the carton. Open the top flaps and remove all carton inserts. Lift the carton off the tractor. Move the tractor off the skid. Make certain all parts and literature have been removed from the carton before the carton is discarded.

ACTIVATING THE BATTERY

Do not activate battery (fill with battery acid) until battery is actually placed in service. Be certain to read previous warnings before activating the battery.

1. Open the battery pack. Be careful not to puncture the box. It contains the battery, battery fluid (acid) in a cardboard container and one cone.
2. Place the battery on a table or workbench.
3. Remove the six fill caps from the top of the battery with a screwdriver. Be careful not to damage the fill caps. See figure 1.
4. Cut off the tip of the cone for use as a funnel.
5. Place the battery fluid container upright on the table or workbench. Carefully remove the flap on the box, and pull out the plastic tube. Cut off the tip of the plastic tube. Do not squeeze the container when cutting the tip.

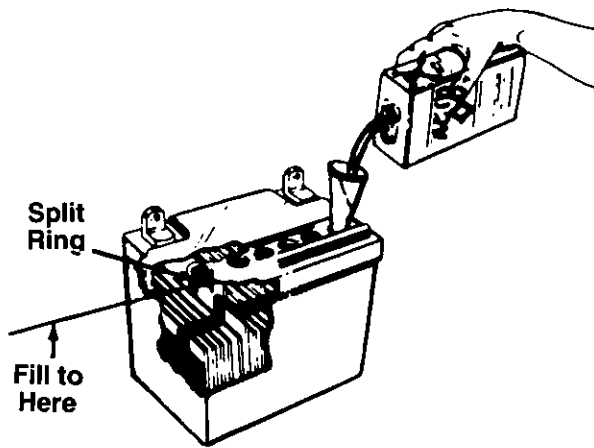


FIGURE 2.

! DANGER

Battery contains sulfuric acid. Refer to warning on page 3. Antidote: **EXTERNAL**—Flush with water. **INTERNAL**—Drink large quantities of water or milk. Follow with milk of magnesia, beaten egg or vegetable oil. Seek prompt medical attention. **EYES:** Flush with cool water for at least 15 minutes, then seek immediate medical attention.

Since batteries produce explosive gases, keep all lighted materials (cigarettes, lighters, matches, etc.) away. Be sure to charge battery only in well-ventilated areas.

**KEEP BATTERIES
OUT OF THE REACH OF CHILDREN!**

6. Fill each battery cell slowly and carefully to the split ring at the bottom of the well. See figure 2. Use caution as the acid level will rise rapidly after the bottom of the cell is filled. **DO NOT OVER-FILL.**
7. Allow battery to stand for 30 minutes with the fill caps removed, while the plates absorb acid.
8. If acid level has fallen after the 30 minute standing period, refill each cell with battery acid to the split ring. Replace the fill caps.
9. Before discarding the empty container, neutralize any residue with baking soda and rinse container with water. Puncture container several times before discarding.
10. Charge the battery after the 30 minute standing period. **SLOW CHARGE THE BATTERY (DO NOT FAST CHARGE)** at a maximum bench rate of 5 amperes until the specific gravity reading is 1.265 (approximately 30 minutes).

NOTE: This engine is equipped with an alternator. The current for the battery charger alternator is unregulated. During normal operation, it is only necessary to charge the battery:

1. When it is activated for the first time.
2. Before winter storage.
3. Before using the tractor after winter storage.

NOTE: Charging rate after battery has been put into operation—the battery is to be charged for a period of 14-16 hours. **NO LONGER THAN 30 HOURS.**

After battery has been charged, add only distilled water. Do not add acid.

After battery has been charged, add only distilled water. Do not add acid.

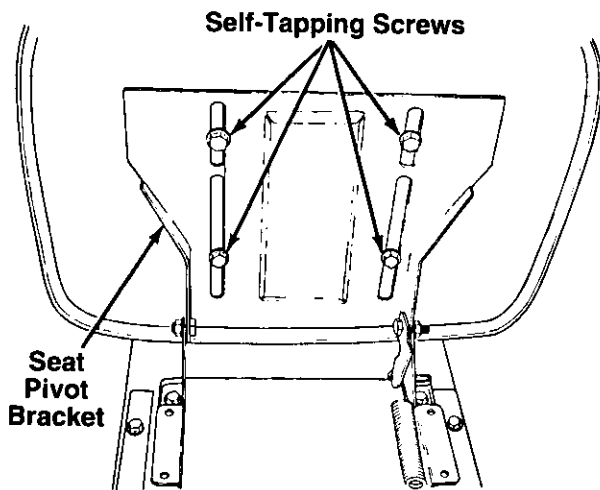


FIGURE 3.

ATTACHING THE SEAT

Place the seat in position against the seat pivot bracket, lining up the slotted holes in the pivot bracket with the holes in the seat. Select desired position for the seat, and secure with hex self-tapping screws. See ← figure 3.

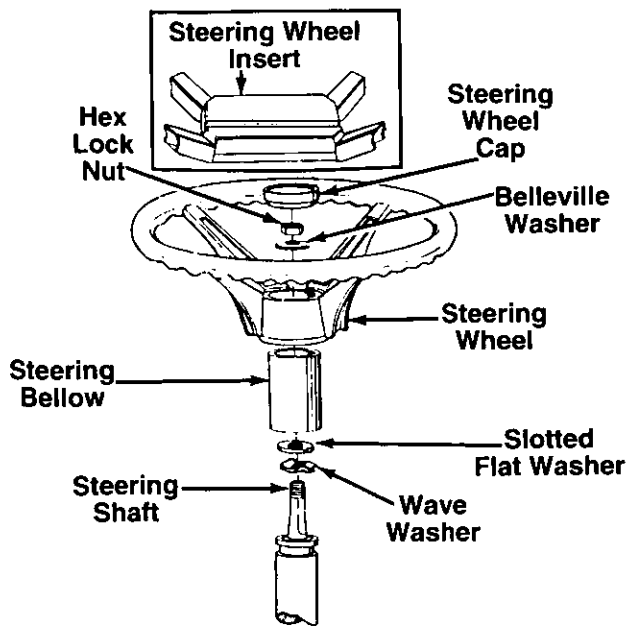


FIGURE 4.

STEERING WHEEL INSTALLATION (See Figure 4)

1. Place the wave washer over the steering shaft.
2. Place the slotted flat washer over the steering shaft.
3. Attach one end of the steering bellow to the steering wheel.
4. Position the front wheels of the tractor so they are pointing straight forward.
5. Place the steering wheel (with steering bellow attached) over the steering shaft extending through the dash, positioning steering wheel as desired.
6. Place the washer with the cupped side down over the steering shaft. Secure with 5/16" hex lock nut. See figure 4.
7. Place the steering wheel cap or insert over the center of the steering wheel and seat it with your hand.

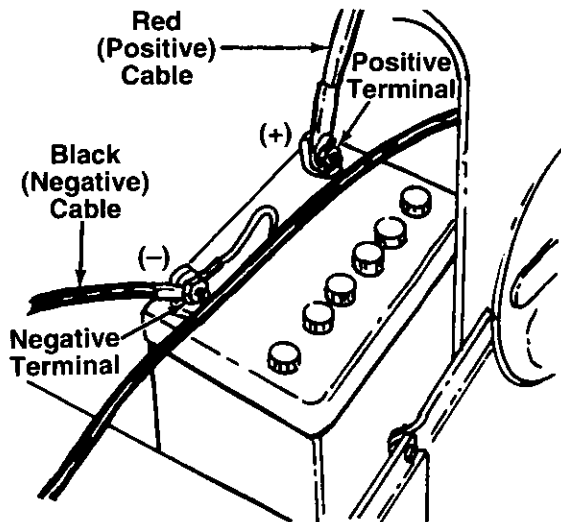


FIGURE 5.

INSTALLING THE BATTERY

NOTE: The positive battery terminal is marked Pos. (+). The negative battery terminal is marked Neg. (-).

1. Raise the hood and hook one hold-down rod into the hole at the rear of battery plate.
2. Place the battery on the battery plate with the positive battery terminal (+) towards the rear of the tractor.
3. Attach the positive cable (heavy red wire) to the positive battery terminal (+) with hex bolt and hex nut provided with battery. See figure 5.
4. Attach the negative cable (heavy black wire) to the negative battery terminal (-) with the other hex bolt and hex nut.

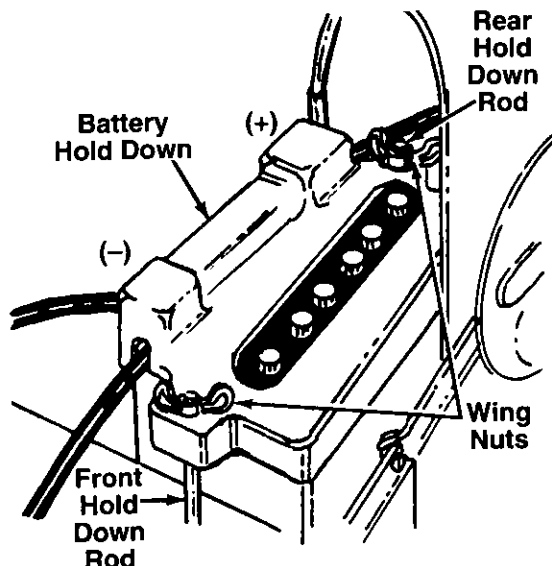


FIGURE 6.

5. Place the black plastic battery cover in position over the hold-down rod. Secure with wing nut.
6. Attach other hold-down rod to the other side of battery cover in the same manner. See figure 6.

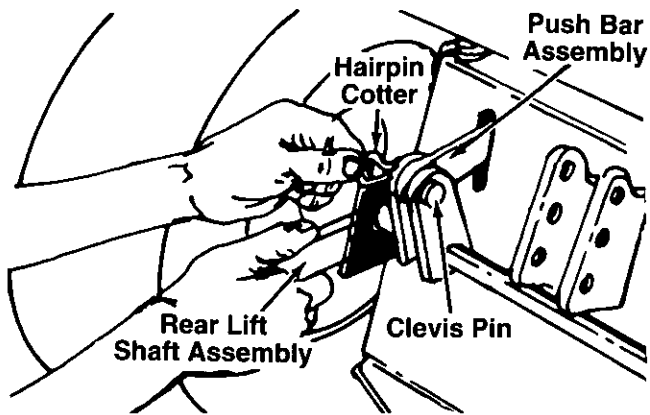


FIGURE 7.

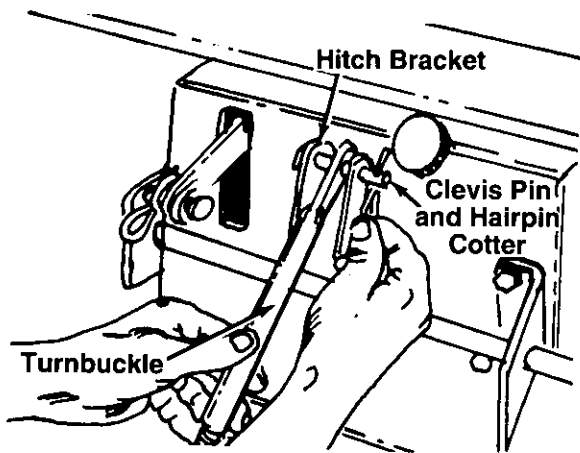


FIGURE 8.

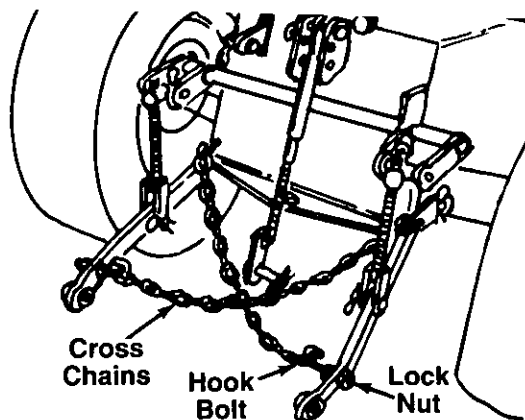


FIGURE 9.

THREE POINT HITCH ASSEMBLY

The three point hitch is needed for the rotary tiller, disc, cultivator and moldboard plow. To use the mowing deck, snow thrower or snow blade, it is not necessary to install the three point hitch.

1. Raise the lift shaft assembly until the hole lines up with the slot in the push bar assembly. See figure 7.
2. Secure with clevis pin and hairpin cotter provided in the hardware pack.
3. Assemble the two draft bars to the link clevis pins in the frame of the tractor with two hairpin cotters.

NOTE: Refer to figure 10 to determine right and left hand draft bars.

4. Thread the ferrule onto the clevis screw until approximately a half inch of thread is showing above the ferrule.
5. Attach the ferrules to the rear lift shaft assembly and secure with two hairpin cotters.
6. Attach the lower end of the clevis screw to the draft bars with the two clevis pins and hairpin cotters.
7. Screw the two halves of the center turnbuckle together. Attach either end to any hole in the hitch bracket mounted in the center of the rear frame of the tractor with a clevis pin and hairpin cotter. See figure 8.
8. Screw one hex nut all the way on to each of the hook bolts.
9. Insert the hook bolt through the inside of the draft bars. Secure with a second nut. Do not tighten.
10. Fasten the chains to the hooks welded on the draft bars. Cross the chains over and attach to the opposite hook bolts. See figure 9.
11. Tighten the outside nuts on the hook bolts until there is approximately one inch of play in the center of the chains.

NOTE: Pull the chains to make them as tight as possible.

FINAL ASSEMBLY

Make certain all nuts and bolts are tightened securely.

TIRE PRESSURE

The tires on your unit may be over-inflated for shipping purposes. Reduce the tire pressure before operating the unit. Recommended operating tire pressure is approximately 12 p.s.i. (check sidewall of tire for tire manufacturer's recommended pressure).



WARNING: Maximum tire pressure under any circumstances is 30 p.s.i. Equal tire pressure should be maintained on all tires.

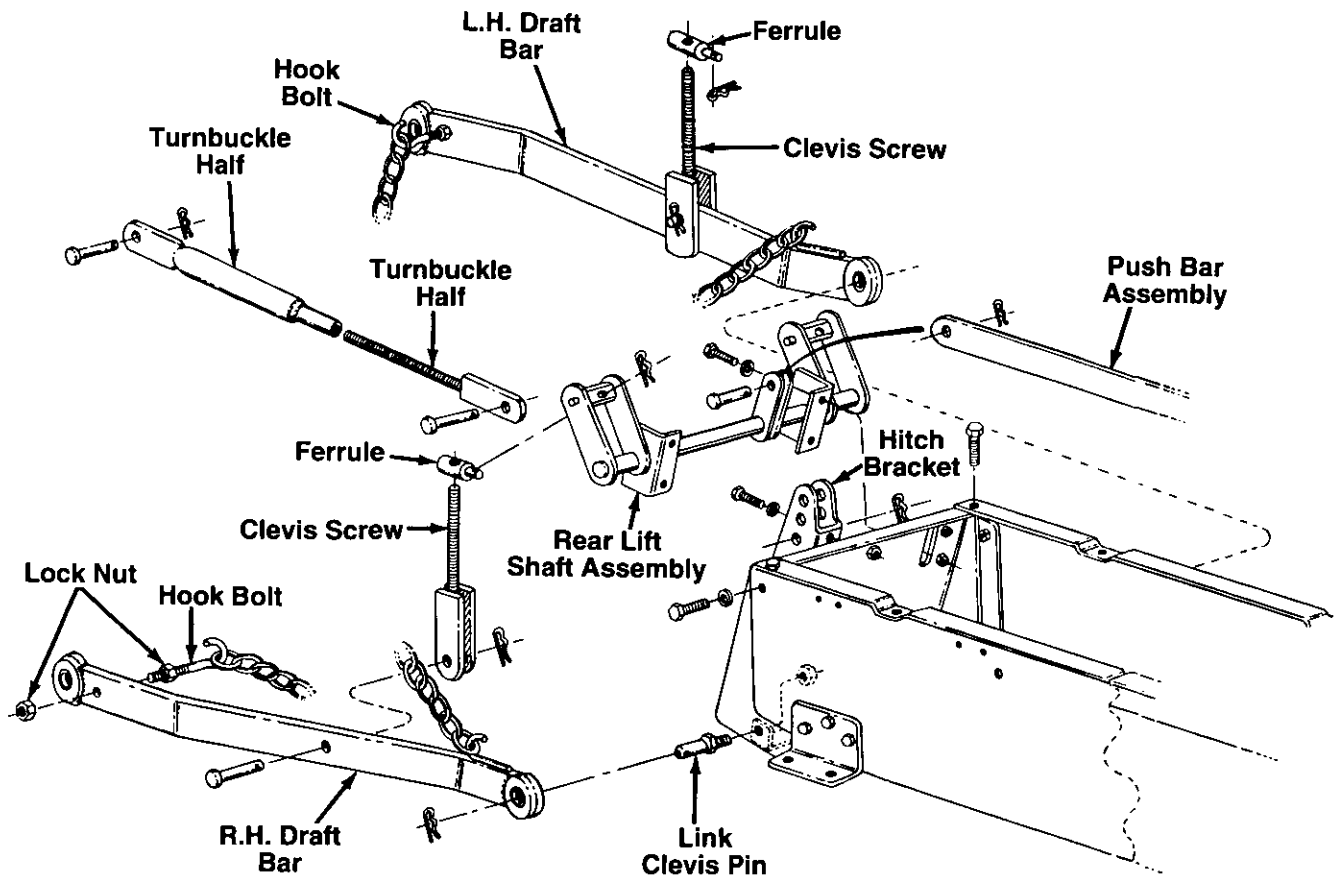


FIGURE 10.

CONTROLS

THROTTLE CONTROL

The throttle control is located on the right side of the dashboard and is used to regulate the engine speed. See figure 11. The engine should be operated from 3/4 to full throttle "FAST" when operating any equipment that uses the tractor engine as a source of power such as the cutting deck, snow thrower or rotary tiller.

CHOKE CONTROL

The choke control is located on the left side of the dashboard and is operated manually. Details for the choke operation are covered in the separate engine manual packed with your unit. See figure 11.

IGNITION SWITCH

The ignition switch is located on the left side of the dashboard. Turn the key to the START position to start the engine. When the engine is running, leave the key in the ON position. To stop the engine, turn the key to the OFF position. See figure 11.



WARNING: Remove the key from the tractor when the tractor is not in use to prevent accidental starting.

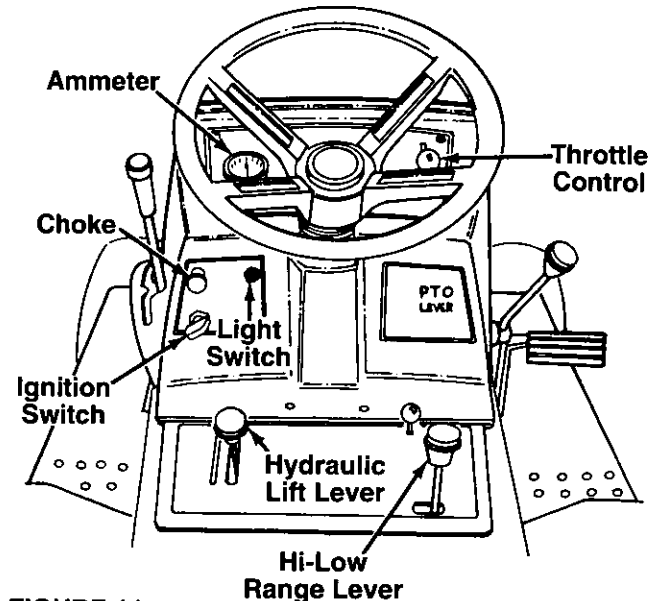


FIGURE 11.

LIGHT SWITCH

The head lamps are operated by pushing the light switch located on the dashboard. The head lamps will only operate when the engine is running. See figure 11.

AMMETER

The ammeter registers the rate of battery charge or discharge. The ammeter will register on the discharging side when starting the engine. It should register on the opposite side (charging) when the engine is running in the fast position until the battery is completely charged. With a fully charged battery or with the engine idling, the ammeter will not show a charge. See figure 11.

HIGH/LOW AXLE RANGE

Your tractor is equipped with a two speed rear axle for greater versatility. See figure 11. The LOW range is used when operating the rotary tiller, moldboard plow and should also be used when extra power is required.

HIGH range operation is for normal loads, grass cutting and normal use.

LOW Range (0-4 mph)

HIGH Range (0-8 mph)

The Axle Range Lever must be in either the HIGH or LOW range position. The tractor will not move if it is in the center position.

NOTE: When pushing the tractor by hand with the engine shut off, place the Axle Range Lever between the HIGH and LOW position. The hydrostatic pump will not rotate and the tractor will be easier to push.

HYDRAULIC LIFT LEVER

The hydraulic lift lever is used to raise or lower all of the tractor attachments. Move the lever forward to lower the attachment. Move the lever backwards to raise the attachment. See figure 11.

Located next to the hydraulic lift lever is the lift indicator that registers the approximate position of the attachments.

POWER TAKE-OFF OPERATION (PTO)

There are two PTO locations. The front PTO operates the snow blower. The rear PTO operates the rotary mower and rotary tiller.

The PTO is operated by the PTO lever, located on the right side of the tractor. See figure 12. When the PTO lever is forward, the PTO is engaged.

Be sure dust cap is installed on front PTO when snow blower is not in use.

NOTE: The PTO lever **must** be in the disengaged position (back) when starting the engine, when shifting into reverse and if the operator leaves the seat.

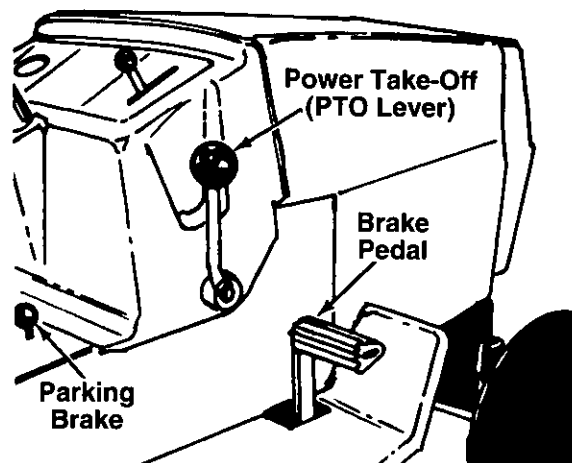


FIGURE 12.

BRAKE PEDAL

The brake pedal is located on the right side of the tractor. Depressing the brake pedal operates the brake. It is used for emergency stopping only. When you depress the brake pedal, the control lever will return close to the NEUTRAL position. The control lever is used for normal stopping. See figure 13.

NOTE: The brake pedal must be depressed to start the engine.

PARKING BRAKE

To set the parking brake, depress the brake pedal and lift up the parking knob. Slowly release the brake pedal until it holds the parking brake knob in the up position. To release the parking brake, depress the brake pedal. See figure 12.

NOTE: The parking brake must be set if the operator leaves the seat with the engine running.

CONTROL LEVER (Hydrostatic)

The control lever is used to regulate the ground speed of the tractor. Moving the control lever to its extreme position makes the tractor travel faster. Moving the control lever forward (F) moves the tractor forward. Moving the control lever backwards (R) reverses the tractor. See figure 13.

To increase rear wheel torque (pulling power), move the control lever towards the NEUTRAL position. The tractor responds similar to shifting to a lower gear with a gear type transmission.

The control lever is used for normal slowing down and stopping by moving the control lever towards NEUTRAL (N). Additional braking may be obtained by moving the control lever gradually in the opposite direction of travel. The control lever is especially useful when rotary tilling hard or rough ground.

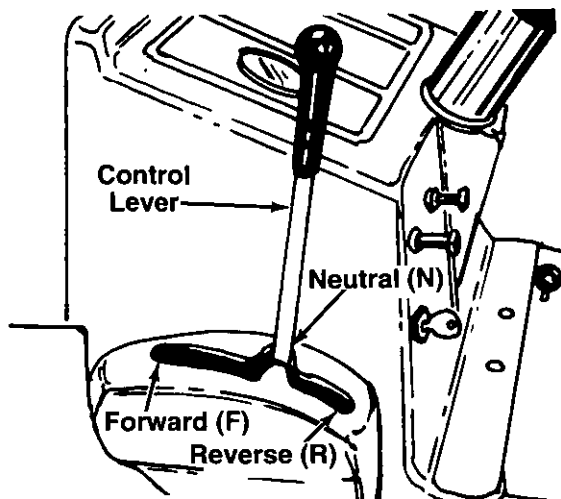


FIGURE 13.

OPERATION



WARNING

AVOID SERIOUS INJURY OR DEATH

- GO UP AND DOWN SLOPES, NOT ACROSS. • AVOID SUDDEN TURNS.
- DO NOT OPERATE THE UNIT WHERE IT COULD SLIP OR TIP.
- IF MACHINE STOPS GOING UPHILL, STOP BLADE(S) AND BACK DOWNHILL SLOWLY.
- DO NOT MOW WHEN CHILDREN OR OTHERS ARE AROUND.
- NEVER CARRY CHILDREN.
- LOOK DOWN AND BEHIND BEFORE AND WHILE BACKING.
- KEEP SAFETY DEVICES (GUARDS, SHIELDS, AND SWITCHES) IN PLACE AND WORKING.
- REMOVE OBJECTS THAT COULD BE THROWN BY THE BLADE(S).
- KNOW LOCATION AND FUNCTION OF ALL CONTROLS.
- BE SURE BLADE(S) AND ENGINE ARE STOPPED BEFORE PLACING HANDS OR FEET NEAR BLADE(S).
- BEFORE LEAVING OPERATOR'S POSITION, DISENGAGE BLADE(S), PLACE THE SHIFT LEVER IN NEUTRAL, ENGAGE BRAKE LOCK, SHUT ENGINE OFF AND REMOVE KEY.

READ OPERATOR'S MANUAL

GAS AND OIL FILL-UP

Service the engine with gasoline and oil as instructed in the separate engine manual packed with your tractor. Read instructions carefully.

The gasoline tank is located under the hood. Do not overfill.

NOTE: Your tractor is shipped without oil; however, a small amount of oil may be present from the factory. Do not overfill.

Check the oil level in the hydrostatic transmission. Refer to Lubrication section on page 13.



WARNING: Never fill fuel tank indoors, with engine running or while engine is hot.

STARTING THE ENGINE

IMPORTANT: This unit is equipped with a **safety interlock system** for your protection. The purpose of the safety interlock system is to prevent the engine from cranking or starting unless the brake pedal is depressed and the PTO lever is in the disengaged position. In addition, the PTO lever must be in the disengaged position when the unit is put into reverse or the engine will shut off. If the operator leaves the seat with the PTO lever engaged and/or without setting the parking brake, the engine will shut off.



WARNING: Do not operate the tractor if the interlock system is malfunctioning because it is a safety device, designed for protection.

1. Place the PTO lever in the disengaged (back) position.
2. Set the High/Low Range Lever in either the high or low range.
3. Depress the brake pedal and set the parking brake.
4. Place the shift lever in the NEUTRAL position.
5. Set the throttle control in the FAST position.
6. Pull out the choke control (a warm engine may not require choking).
7. Turn the ignition key to the right to the START position. After the engine starts, release the key. It will return to the ON position.
8. Slowly push in the choke as the engine warms up.

STOPPING THE ENGINE

Turn the ignition key to the left to the OFF position. Remove the key to prevent accidental starting.

IMPORTANT: If you strike a foreign object, stop the engine. Remove wire from spark plug, thoroughly inspect the unit for any damage, and repair the damage before restarting and operating the mower.

NOTE: If any problems are encountered, refer to the *Trouble Shooting Guide* on page 18.

OPERATING THE TRACTOR

1. Start the engine as instructed previously.
2. Move throttle control to 3/4 or full throttle to prevent strain on the engine and to operate attachments.
3. Release the parking brake by depressing the brake pedal. Release brake pedal and move the hydrostatic control lever into either the forward or reverse position.



WARNING: Look to the rear before backing up.

4. The brake pedal is used for emergency stopping only. Use the control lever to stop normally. When the brake pedal is depressed, the control lever will return close to the NEUTRAL position so the tractor brake will stop the tractor. However, the tractor may creep either forward or backward when the brake pedal is released.
5. The cutting blades (or other attachment) may be engaged while the tractor is moving or standing still. DO NOT engage the cutting blades abruptly, which may cause the engine to stall.



WARNING: Keep feet and hands away from the discharge opening, the blades or any part of the deck.

Be sure that the lawn is clear of stones, sticks, wire, or other objects which could damage tractor or engine. For best results and to insure more even grass distribution, do not mow when lawn is excessively wet.



WARNING: Before leaving the operator's position for any reason, disengage the blades, place the shift lever in neutral, engage the parking brake, shut engine off and remove the key.

When stopping the unit to empty a grass bag, etc., follow the instructions above. This procedure will also eliminate "browning" the grass, which is caused by hot exhaust gases from a running engine.

ADJUSTMENT OF UNDERCARRIAGE

When using any of the rear mounted attachments such as the rotary tiller or moldboard plow, the undercarriage must be locked in the raised position. See "Undercarriage Locks" in the Adjustment section of this manual for instructions.

GRASS CATCHER AVAILABLE

GRASS CATCHER Model 190-015 is available as optional equipment.



WARNING: The mower should not be operated without the entire grass catcher or chute deflector in place.

NOTE: Under normal usage bag material is subject to wear, and should be checked periodically. Be sure any replacement bag complies with the mower manufacturer's recommendations.

For replacement bags, use only factory authorized replacement bag.

ADJUSTMENTS

NEUTRAL ADJUSTMENT FOR THE HYDROSTATIC CONTROL LEVER (See Figure 14)



WARNING: Disconnect the spark plug wire and ground against the engine before performing any adjustments, repairs or maintenance.

If the hydrostatic control lever does not return to the neutral notch on the hydrostatic control lever guide when the brake pedal is depressed (see figure 13) make the following adjustment:

1. Loosen the shoulder bolt and nut on the neutral control slide.
2. Depress the brake pedal and set the parking brake.
3. Move the hydrostatic control lever into the neutral notch.
4. Tighten the shoulder bolt and nut on the neutral control slide.

NOTE: If the tractor creeps while the hydrostatic control lever is in NEUTRAL, the controls at the hydrostatic transmission must be adjusted.

HYDROSTATIC TRANSMISSION CONTROL ADJUSTMENT

1. Block the rear of the tractor up so both rear wheels are off the ground.
 2. Remove the ball joint hex nut and lock washer from the control handle assembly. See figure 14.
 3. Loosen the hex jam nut on the tie rod at the front ball joint.
 4. Loosen (do not remove) the two hex screws holding the support channel to the cam plate.
 5. Move the cam plate forward or backward until the alignment hole in the slide mounting plate and cam plate line up.
- NOTE:** Use a 5/16" bolt or rod through the alignment holes in the cam plate and slide mounting plate.
6. Start the engine and run at idle.
 7. Tighten the two hex screws in the support channel.
 8. Shut off the engine.
 9. Set the parking brake.
 10. Adjust the ball joint on the tie rod until it lines up exactly with the hole in the control handle assembly. Secure with the lock washer and hex nut.
 11. Tighten the hex jam nut on the tie rod at the ball joint.
 12. Remove 5/16" bolt on rod from alignment hole in cam plate.

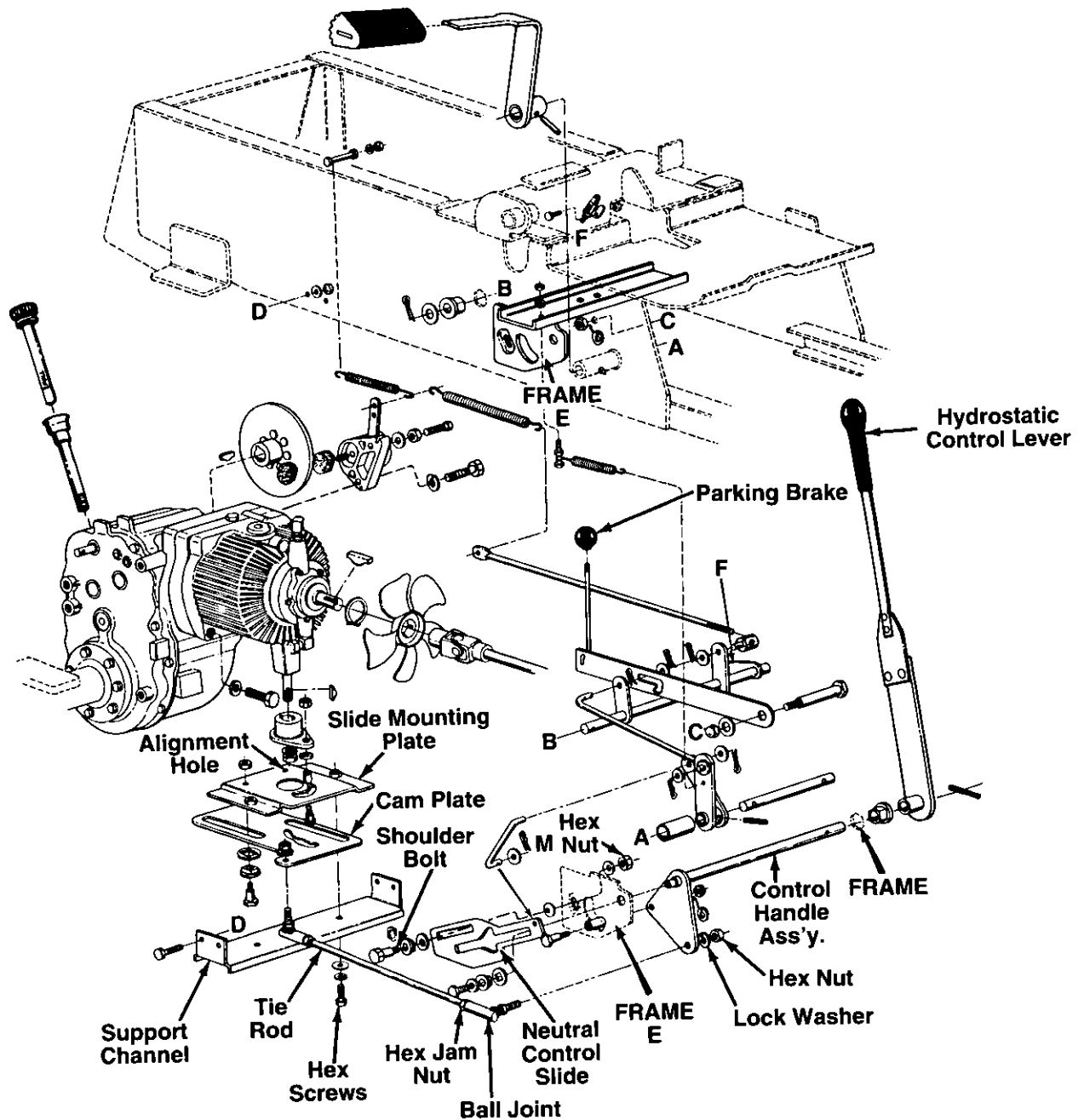


FIGURE 14.

REAR WHEEL TRACK ADJUSTMENT

The rear wheels may be adjusted wider for more stability by reversing the wheels and rims on the hubs.

With the rear wheels in the narrow position, their outside is even with the outside of the front wheels. With the rear wheels in the wide position, their inside is even with the outside of the front wheels.

Use this chart to determine the rear wheel setting.

ATTACHMENT	MODEL NO.	WHEEL SET
50" Mowing Deck	190-993	N
12" Moldboard Plow	190-920	W/N
Tandem Disc Harrow	190-921	N
Spring Tooth Cult.	190-922	N
54" Snow Blade	190-985	N
45" Snow Thrower	190-990	N
38" Rotary Tiller	190-960	N
N—Narrow W—Wide		

Rear Wheel Chains	190-965
75 pound (each) Wheel Weights	190-784

HYDRAULIC LIFT VALVE ADJUSTMENT

The valve is located under the left side of the tractor frame under the hydraulic lift lever. See figure 15.

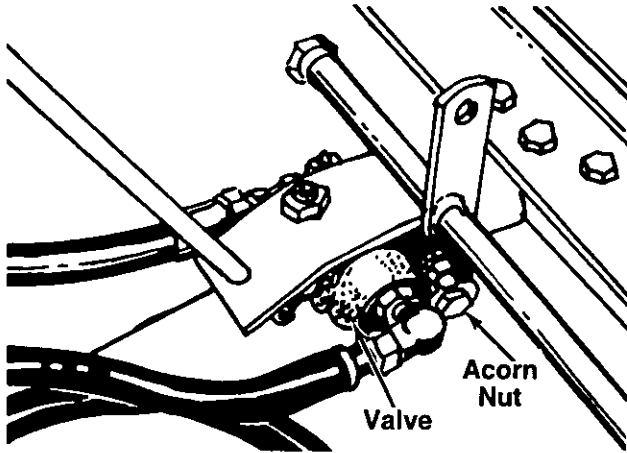


FIGURE 15.

The hydraulic lift valve is adjustable. Before making adjustments to the valve, be sure the engine is running at a maximum speed of 3600 RPM. If the hydraulic lift will not raise your attachments, especially the heavier ones, you can increase the pressure. The equipment being used should be attached to the tractor while adjusting the lift valve.

1. Remove the acorn nut and washer. See figure 16.

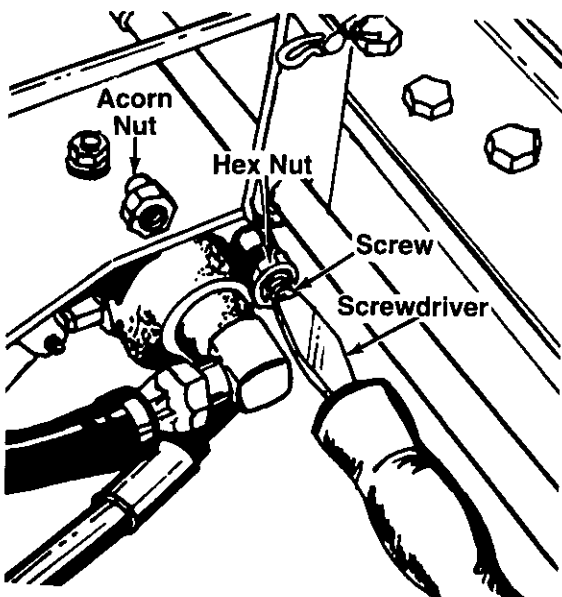


FIGURE 16.

2. Back off the lock nut at least three complete turns.
3. Turn the screw one complete turn in.
4. Tighten the lock nut.
5. Reassemble acorn nut and tighten.

6. Test the operation of the lift valve with the attachment on the tractor and the tractor engine running at full throttle.

7. If necessary, repeat the above steps.

If a pressure gauge is used, insert a "T" fitting between the charge pump on the hydrostatic transmission and the valve. Use a 1000 p.s.i. pressure gauge.

1. Start the engine and run at full throttle.
2. Check the engine speed with a tachometer. Engine should be running at 3500 to 3600 RPM.
3. Move the hydraulic lift lever all the way either direction and hold it until the relief valve opens. The gauge should read 700 p.s.i.
4. If necessary, adjust relief valve as described above.

BRAKE ADJUSTMENT

During normal operation of this machine, the brakes are subject to wear and will require periodic examination and adjustment.



WARNING: Do not adjust the brake while the engine is running. Be sure to block the wheels of the tractor before making the brake adjustment.

The brake is located on the left side of the transaxle. The adjustment access hole is above the left rear axle mounting bracket. See figure 17.

To adjust:

1. Loosen the lock nut with an 11/16" wrench.
2. With a 7/16" socket and extension, tighten the center bolt until the pads are pushed against brake disc.
3. Back off the center bolt one half turn and tighten the lock nut.
4. Test the brake operation.

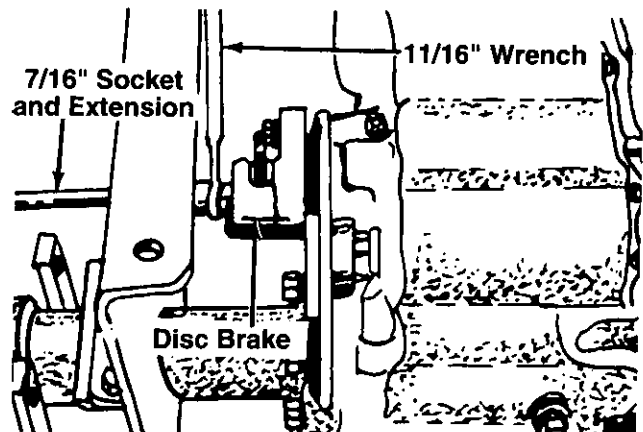


FIGURE 17.

UNDERCARRIAGE LOCKS

The maximum down position can be set on the undercarriage for the mowing deck. See figure 18. There are six positions. This adjustment should be used with the deck roller adjustment so the mowing deck is always cutting parallel to the ground. To change the locks, remove the hairpin cotter, clevis pin and spacer and install in the desired hole. Both locks must be adjusted in the same position.

When setting the cutting height, lower the deck with the hydraulic lift until the undercarriage bottoms out against the locks.

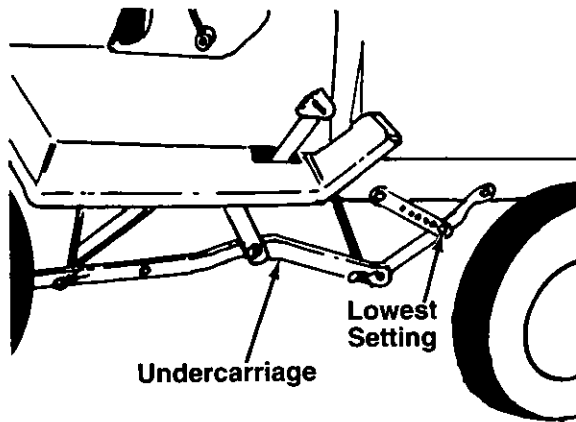


FIGURE 18.

The undercarriage locks are also used to hold the undercarriage in the completely raised position when using any of the rear mounted attachments or to prevent the undercarriage from moving up and down. See figure 19.

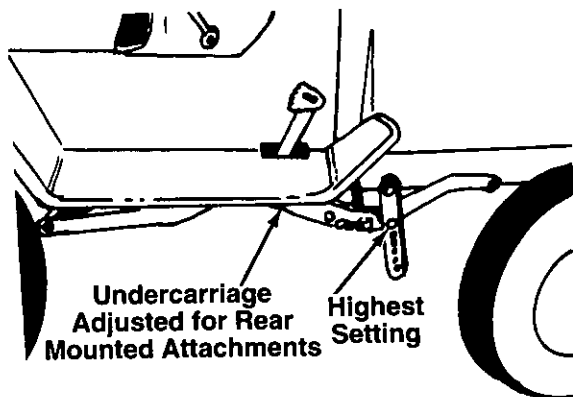


FIGURE 19.

CARBURETOR ADJUSTMENT



WARNING: If any adjustments are made to the engine while the engine is running (e.g. carburetor), disengage all clutches and blades. Keep clear of all moving parts. Be careful of heated surfaces and muffler.

Minor carburetor adjustment may be required to compensate for differences in fuel, temperature, altitude and load. To adjust the carburetor refer to the separate engine manual packed with your tractor.

NOTE: A dirty air cleaner will cause an engine to run rough. Be certain air cleaner is clean and attached to the carburetor before adjusting carburetor.

PTO ADJUSTMENT

The PTO cable can be adjusted at either end. To adjust, loosen the nut on the inside and tighten the nut on the outside to compensate for cable stretch. Adjust until the idler depresses the safety switch plunger within 1/8" of bottoming out in the switch when the PTO is in the OFF position. See figures 20 and 28.

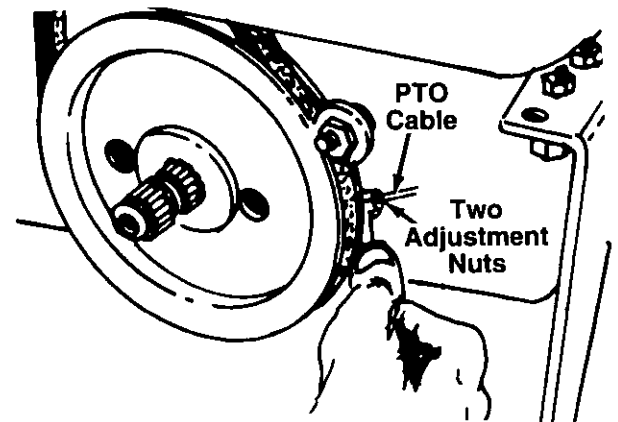


FIGURE 20.

LUBRICATION



WARNING: Always stop engine and disconnect spark plug wire before cleaning, lubricating or doing any kind of work on lawn tractor.

HYDROSTATIC SYSTEM

The oil level for the hydrostatic transmission, transaxle and hydraulic lift system can be checked at one location. See figure 21. Check the oil level every 8 hours of operation.

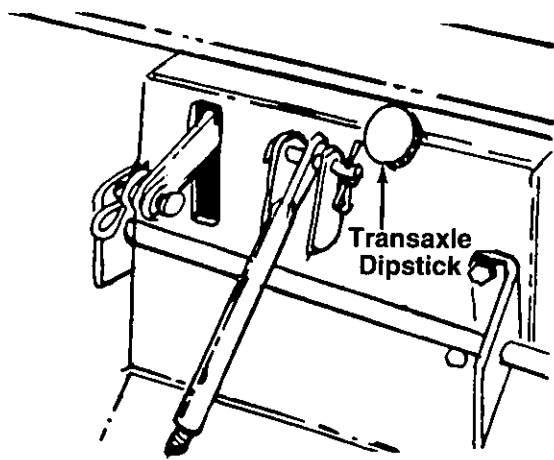


FIGURE 21.

Before checking the oil level, clean the area around the dipstick hole to prevent the entry of dirt. Unscrew the dipstick and remove. The oil level should be maintained at the FULL mark. Check oil level when the hydrostatic oil is cold.

The following fluids are recommended for use in the hydrostatic transmission.

1. Mobil Fluid 300
2. Texaco TL-2209
3. Dexron B (General Motors)
4. M2C-33F and M2B-41A (Ford Motor)
5. Hy-Tran (International Harvester)
6. 10W + Straight Viscosity—SE, CC or CD Rated Engine Oil
- **7. 20W + Straight Viscosity—SE, CC or SC Rated Engine Oil
8. 30W + Straight Viscosity—SE, CC or CD Rated Engine Oil

**Preferred.

NOTE: Never use a multi-viscosity oil.

Change oil and filter initially after twenty hours of operation (refer to next section); thereafter, change every 100 hours or once a year.

OIL FILTER

A full flow replaceable oil filter, located in the oil lines under the left side of the frame, should be replaced initially after twenty hours of operation. Thereafter, replace every 100 hours for commercial or industrial applications and yearly for normal usage. It can be removed by turning it counterclockwise by hand. Use Fram filter number PH-16; order part number 727-0162. See figure 22.

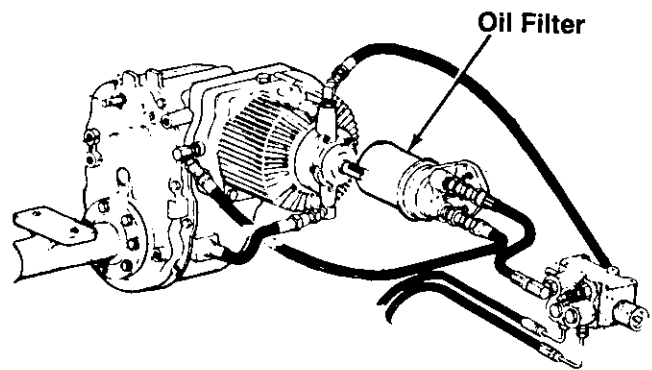


FIGURE 22.

STEERING GEARS

Wipe off old grease and dirt from steering gears. After every 25 hours of operation, place an automotive multi-purpose grease in the teeth of the segment and pinion gears. See figure 23.

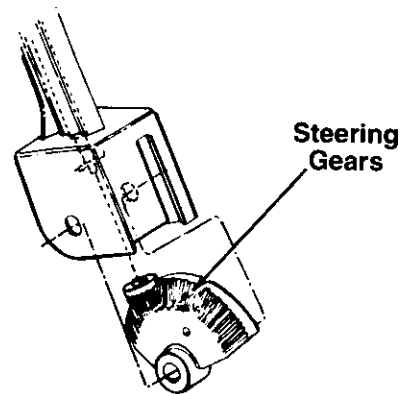


FIGURE 23.

BRAKE PEDAL

Lubricate with a grease gun after every 25 hours of operation. Use automotive multi-purpose grease.

KING PINS

Lubricate king pins with a grease gun after every 25 hours of operation (one on each side of the tractor). Use automotive multi-purpose grease. See figure 24.

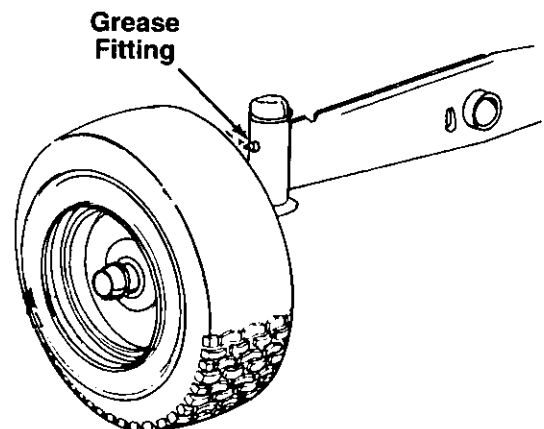


FIGURE 24.

PTO LEVER

Lubricate PTO lever with a grease gun after every 25 hours of operation. Use an automotive multi-purpose grease.

MAINTENANCE



WARNING: Disconnect the spark plug wire and ground against the engine before performing any adjustments, repairs or maintenance.

TROUBLE SHOOTING

Refer to the chart on page 18 for trouble shooting information.

ENGINE

Refer to the separate engine manual for engine maintenance instructions.

Maintain **engine oil** as instructed in the separate engine manual packed with your unit. **Read and follow instructions carefully.**

Service **air cleaner** every 10 hours under normal conditions. Clean every few hours under extremely dusty conditions. To service the air cleaner, refer to the separate engine manual packed with your unit.

The **spark plug(s)** should be cleaned and the gap reset once a season. Spark plug replacement is recommended at the start of each mowing season; check engine manual for correct plug type and gap specifications.

FUEL FILTER

Your unit is equipped with a replaceable in-line fuel filter. Replace filter whenever contamination or discoloration is noticed. Order replacement filter through your authorized engine service dealer.

POWER TAKE-OFF (PTO) BELT REMOVAL

1. Take off the front PTO belt guard assembly by removing four hex screws. See figure 25.

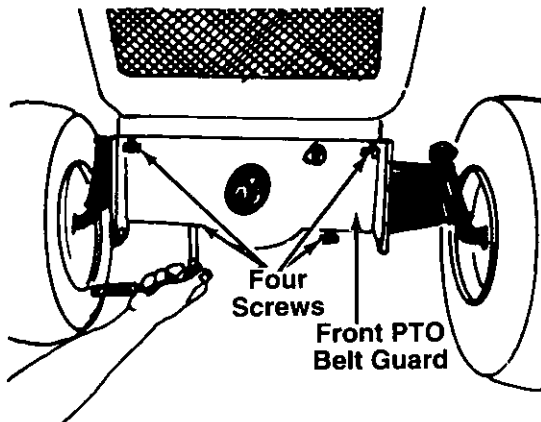


FIGURE 25.

2. Put the PTO lever in the OFF position.
3. Loosen two screws on inner belt guard. See figure 26.

NOTE: Figure 26 is shown with grille removed for clarity.

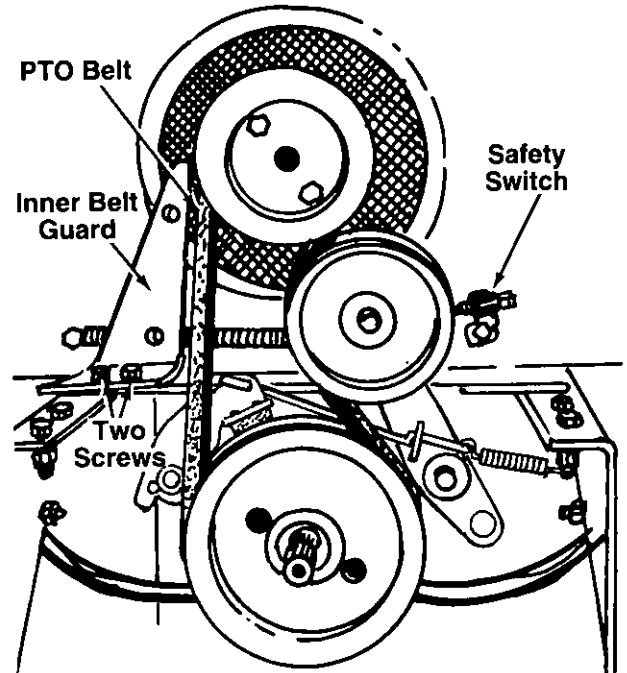


FIGURE 26.

4. Remove V-belt. Reassemble using a new O.E.M. V-belt, part number 754-0234.

WHEEL ALIGNMENT

The front wheels should toe-in approximately 1/8".

To adjust the toe-in, loosen the hex jam nut, remove the hex nut and lock washer. Lift the tie rod end out of the hole in the steering arm. Screw the tie rod ends in or out as necessary. See figure 27.

Reassemble the tie rod end after the correct alignment is made.

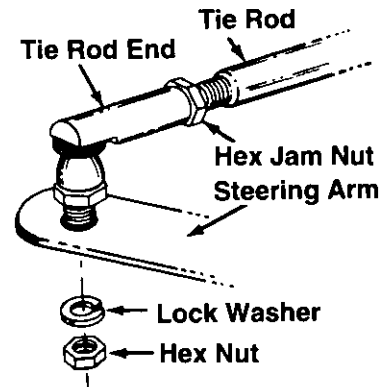


FIGURE 27.

Dimension "B" should be approximately 1/8" less than Dimension "A." See figure 28. To increase Dimension "B," screw tie rod into tie rod end. To decrease Dimension "B," unscrew tie rod from tie rod end. Reassemble tie rod. Check dimensions. Readjust if necessary.

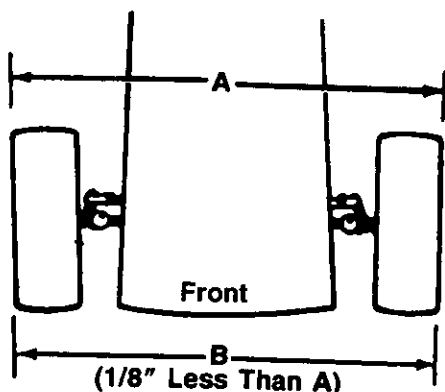


FIGURE 28.

SIDE PANELS

The right and left side panels can be removed for maintenance or attaching accessories. To remove, turn the four screws in the corners a 1/4 turn to the left and remove. See figure 29.

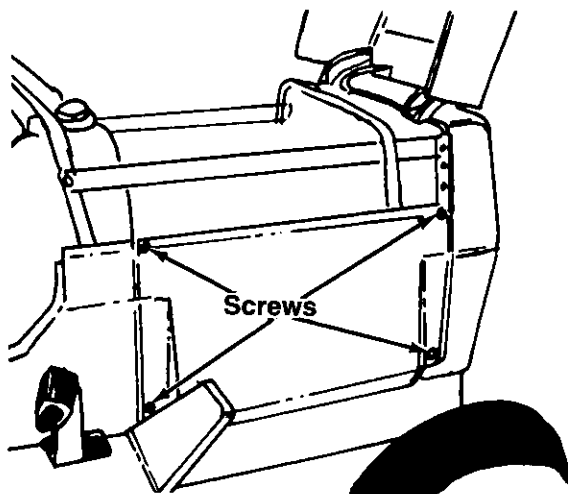


FIGURE 29.

DRIVE SHAFT REMOVAL

1. Loosen the square head set screw on the front universal joint. See figure 30.

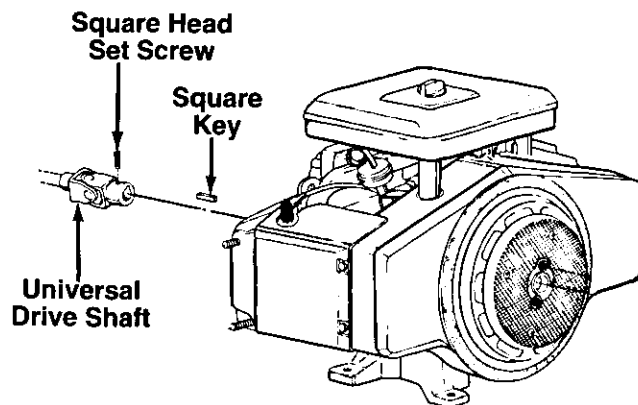


FIGURE 30.

2. Slide the drive shaft assembly forward as far as it will go. The rear universal joint can be removed from the input shaft of the hydrostatic transmission. See figure 31.
3. Remove the drive shaft assembly from the tractor.

NOTE: There is a square key at the engine crankshaft and a hi-pro key at input shaft of transmission. Do not lose.

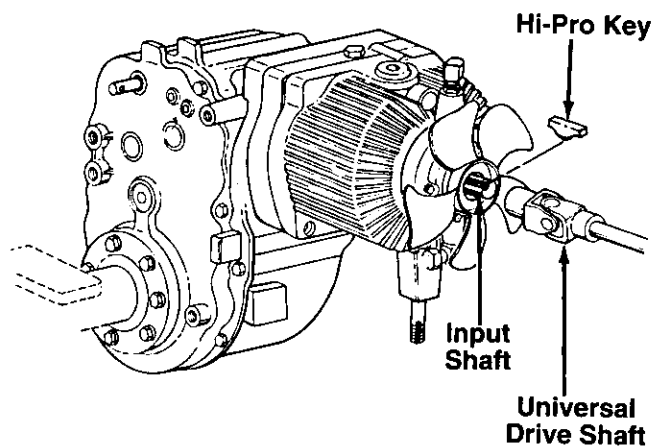


FIGURE 31.

MAINTENANCE OF BATTERY

1. Check electrolyte level periodically (at least every two weeks). Keep the level to the split rings. Use only distilled water or a good quality drinking water. Never add acid or any other chemicals to the battery after initial activation.
2. The battery should be checked with a hydrometer after every 25 hours of operation. If the specific gravity is less than 1.225, the battery should be recharged. Maximum charge rate 5 AMPS.

3. Coat the terminals and exposed wire with a thin coat of grease or petroleum jelly for longer service and protection against corrosion.
4. The battery should be kept clean. Any deposits of acid should be neutralized with soda and water. Be careful not to get this solution in the cells.
5. Avoid tipping the battery. Even a "sealed" battery will leak electrolyte when tipped.

STORAGE OF THE BATTERY

1. Charge battery using normal methods. NEVER store discharged battery as it will not recover.
2. When storing battery for extended periods, disconnect battery cables. Removing battery from unit is recommended.
3. Store in cold, dry place.
4. Recharge battery whenever the specific gravity is less than 1.225, before returning to service, or every two months, whichever occurs first.

COMMON CAUSES FOR BATTERY FAILURE

1. Overcharging
2. Undercharging
3. Lack of water
4. Loose hold downs and/or corroded connections
5. Excessive loads
6. Battery electrolyte substitutes
7. Freezing of electrolyte

NOTE: *These failures do not constitute warranty.*

BATTERY REMOVAL OR INSTALLATION



WARNING: When removing the battery, follow this order of disassembly to prevent your wrench from shorting against the frame.

1. Remove the Negative cable.
2. Remove the Positive cable.

To install a battery:

1. Attach the Positive cable.
2. Attach the Negative cable.

JUMP STARTING

1. Attach the first jumper cable from the Positive terminal of the good battery to the Positive terminal of the dead battery.
2. Attach the second jumper cable from the Negative terminal of the good battery to the **FRAME OF THE UNIT WITH THE DEAD BATTERY.**



WARNING: Failure to use this starting procedure could cause sparking, and the gases in either battery could explode.

TIRES

Recommended operating tire pressure is approximately 12 p.s.i. (check sidewall of tire for tire manufacturer's recommended pressure). Maximum tire pressure under any circumstances is 30 p.s.i. Equal tire pressure should be maintained on all tires.

When installing a tire to the rim, be certain rim is clean and free of rust. Lubricate both the tire and rim generously. Never inflate to over 30 p.s.i. to seat beads.



WARNING: Excessive pressure (over 30 p.s.i.) when seating beads may cause tire/rim assembly to burst with force sufficient to cause serious injury.

OFF-SEASON STORAGE

If the machine is to be inoperative for a period longer than 30 days, prepare for storage as follows.

1. Clean the engine and the entire unit thoroughly.
2. Lubricate all lubrication points. Wipe the entire machine with an oiled rag to protect the surfaces.
3. Refer to the engine manual for correct engine storage instructions. The engine must be completely drained of fuel to prevent gum deposits from forming on essential carburetor parts, fuel lines and fuel tanks.
4. Refer to battery storage instructions on this page.
5. Store unit in a clean, dry area. Do not store next to corrosive materials, such as fertilizer.

NOTE: *When storing any type of power equipment in an unventilated or metal storage shed, care should be taken to rustproof the equipment. Using a light oil or silicone, coat the equipment, especially any chains, springs, bearings and cables.*

TROUBLE SHOOTING GUIDE

TROUBLE	LOOK FOR	REMEDY
Engine will not crank	Battery installed incorrectly	The battery must be installed with the negative terminal, identified at the terminal post by (Neg, N or -), grounded. The positive terminal (Pos, P or +) attaches to the large cable from the solenoid. The small red wire from the fuse holder or circuit breaker is also attached to the positive terminal.
	Blown fuse or circuit breaker	Replace fuse with 7 1/2 amp. automotive type fuse. Fuses seldom fail without a reason. The problem must be corrected. Check for loose connections in the fuse holder. Replace fuse holder if necessary. A dead short may be in the cranking or charging circuit where the insulation may have rubbed through and exposed the bare wire. Replace the wire or repair with electrician's tape if the wire strands have not been damaged. Note: Look for a wire pinched between body panels, burned by the exhaust pipe or muffler or rubbed against a moving part.
	Battery is dead or weak	Use a hydrometer to check the condition of the battery. The Specific Gravity (s.g.) should be 1.265 at 80°F. (1.215 s.g. minimum needed for cranking engine). The reason for the battery failing must be determined. (1) Defective battery. Battery will not accept or hold a full charge. (2) Short circuit. Check for grounded wire. (3) Charging system not working. The charging system is an alternator located under the flywheel. It is unregulated and rated 3 amp. at 3600 r.p.m. A diode (rectifier) is located in the output lead just before the wire harness plug on the engine side. <div style="text-align: center;"> </div> <p>The diode changes A.C. to D.C. to charge the battery. A bad diode can either fail to charge the battery or discharge the battery if the alternator is shorted as well as the diode. To test: (1) Disconnect charger lead from the battery (small red wire). (2) Connect 12 V small test lamp between the 3 amp. D.C. charge lead and the positive terminal of the battery. (3) With the engine off, the lamp should not light. If it does, the diode and possibly the alternator should be replaced. (4) Start the engine. The lamp should light. If it does not, the alternator (stator) or lead wire is bad and should be replaced.</p>
	Mechanical failure (Wires and switches)	The interlock system includes two mechanical activated switches which are wired in series in the circuit used to energize the starter solenoid. While testing the interlock system, you will make the mower temporarily unsafe by permitting the engine to be started with the blade and clutch engaged. WARNING: While testing, disengage the clutch, shut off the blade control, set the parking brake and place the gear shift lever in neutral. Attach a wire (minimum 18 gauge) to the positive terminal of the battery and touch the other end to the small terminal on the solenoid. If the engine does not crank: (1) There is a loose connection or poor ground. (2) The solenoid may be bad. The solenoid can be checked by using a heavy wire (#8 gauge minimum) and jumping between the two large terminals. If the engine cranks, the solenoid is bad. (3) If the engine does not crank when you jump the solenoid, have the starter motor tested by an authorized engine dealer. If the engine does crank, the problem is with one of the safety switches, ignition switch or the wire between the fuse holder (or circuit breaker) and the small terminal on the solenoid. Note: Look for a poor connection at the switches or a defective switch. Replace if necessary.
Engine cranks but will not start	Throttle or choke not in starting position	Check owner's guide for correct position for throttle control and choke for starting.
	No spark to spark plug	Spark plug lead disconnected. Connect lead. Hold spark plug lead away from engine block about 1/8". Crank engine. There should be a spark. If not, have engine repaired at authorized engine service dealer. Faulty spark plug. To test, remove spark plug. Attach spark plug lead to spark plug. Ground the spark plug body against the engine block. Crank the engine. The spark plug should fire at the electrode. Replace if it does not.

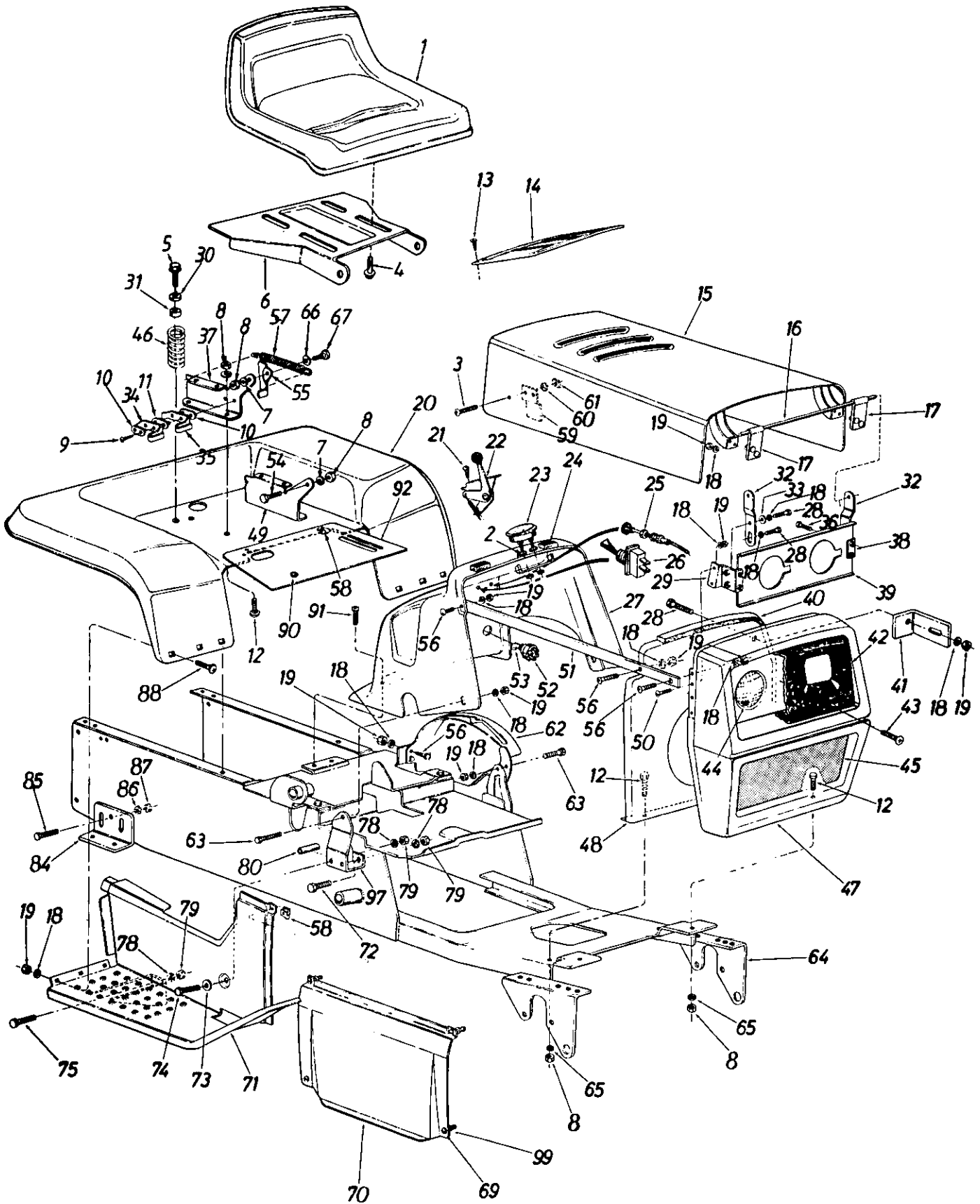
TROUBLE SHOOTING GUIDE (Continued)

TROUBLE	LOOK FOR	REMEDY
	No fuel to the carburetor	Gasoline tank empty. Fill. Fuel line or in-line fuel filter plugged. Remove and clean fuel line. Replace filter if necessary.
	Air filter dirty	If the air cleaner is dirty, the engine may not start. Clean or replace as recommended by the engine manufacturer.
Engine smokes	Engine loses crankcase vacuum	Dipstick not seated or broken. Replace defective part. Engine breather defective. Replace.
Excessive vibration	Bent or damaged blade spindle	Stop engine immediately. Check all pulleys, blade adapters, keys and bolts for tightness and damage. Tighten or replace any damaged parts.
	Bent blade	Stop engine immediately. Replace damaged blade. Only use original equipment blades.
Mower will not discharge grass or leaves uncut strips	Engine speed low Transmission selection Blades short or dull	Throttle must be set at full throttle. Use lower transmission speed. The slower your ground speed, the better the quality of cut. Sharpen or replace blades (uncut strip problem only).

HYDROSTATIC TRANSMISSION TROUBLE SHOOTING

No output torque (power) in either direction, cold start.	<ol style="list-style-type: none"> 1. Recheck relief valve position, control linkage, input drive. 2. Oil level in reservoir low. 3. Broken control shaft dowel pin. Transmission must be repaired or replaced.
Loss of output torque, continuous load.	<ol style="list-style-type: none"> 1. Operating at conditions approaching hydraulic stall. The transmission fluid has exceeded 180° F. 2. Internal leakage due to wear. Transmission should be repaired or replaced. 3. Water in transmission fluid. Purge system of all fluid and replace with new transmission fluid. Replacement of the transmission is generally not necessary.
No output torque in one direction.	<ol style="list-style-type: none"> 1. One of the directional valves is stuck. Transmission should be repaired or replaced. 2. Low oil level.
Tractor cannot be pushed with engine off.	<ol style="list-style-type: none"> 1. Relief valve control not set. 2. Relief valve travel not adjusted. 3. Motor piston or rotor seized. Transmission must be repaired or replaced.
No neutral.	<p>Recheck linkage. Loose linkage creates an adjustment problem.</p> <p>Note: The hydraulic neutral band is very narrow. Deflection in the linkage may make it difficult to obtain neutral from both directions. It is recommended that neutral should be positive from forward drive.</p>
Oil leakage at the control shaft seal.	<ol style="list-style-type: none"> 1. Spillage when fluid has been added to the reservoir. 2. Spillage at the vent in the reservoir at operating temperatures due to cold level being too high or water in the fluid. Reduce fluid level or replace fluid in the event there is water in it (milky color). 3. Loose oil reservoir or cover. 4. Loose vent bolt. 5. Damaged control shaft seal. Transmission should be repaired.
Noisy operation.	<ol style="list-style-type: none"> 1. Operating at part throttle. Hydrostatic transmission is designed to operate with the engine running at full throttle. 2. Water in transmission fluid. Replace transmission fluid. 3. Air in transmission fluid. Bleed air from vent.
Output shaft rotates in the opposite direction.	The transmission body is 180° out of position. Transmission has to be removed and reassembled correctly.

Model 995



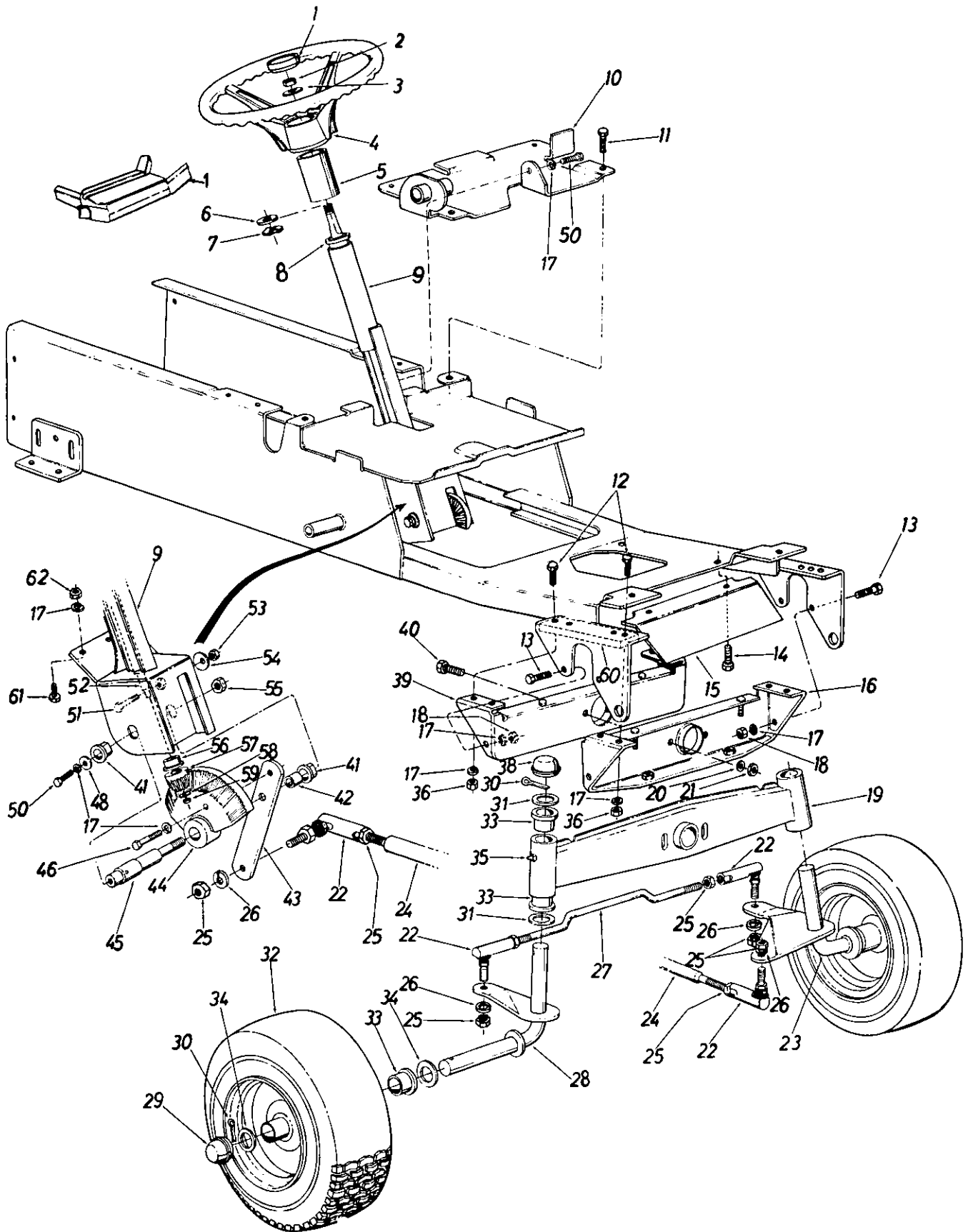
Model 995

PARTS LIST FOR MODEL 995 HYDROSTATIC TRACTOR

REF. NO.	PART NO.	CODE	DESCRIPTION	REF. NO.	PART NO.	CODE	DESCRIPTION
1	757-0350		Seat Ass'y.	46	732-3075	N	Compression Spring 4.5" Lg.
2	736-0722		L-Wash. .190" I.D.	47	15667	638	Grille
3	710-0192		Truss Hd. Mach. Scr. #10-24 x .38" Lg.	48	13569		Heat Shield
4	710-0623		Hex Wash. Hd. Self-Tap Scr. 3/8-16 x .75" Lg.	49	17951		Seat Pivot Support Brkt.—L.H.
5	710-0601		Hex Wash. Hd. Tap Scr. 5/16-18 x .75" Lg.	50	710-0286		Truss Mach. Scr. 1/4-20 x .75" Lg.*
6	15607D		Seat Pivot Bracket	51	13725		Grille Strap
7	736-0119		L-Wash. 5/16" I.D.*	52	725-0267		Ignition Switch
8	712-0267		Hex Nut 5/16-18 Thd.*	53	725-0201		Ignition Key
9	710-0227		Hex Wash. Hd. AB-Tap Scr. #8 x .5" Lg.	54	738-0155		Shld. Bolt .437" Dia. x .162"
10	726-0279		Insulator Plate	55	17239A		Seat Lift Bracket
11	726-0278		Insulator Boss Plate	56	710-0252		Hex Bolt 1/4-20 x .75" Lg.*
12	710-0118		Hex Bolt 5/16-18 x .75" Lg.*	57	732-0581		Extension Spring 5.31" Lg.
13	710-0697		Self-Tap Oval Hd. Scr. 1/2" Lg.	58	726-0169		Clip-On Receptacle
14	731-0384		Dash Panel Cover	59	732-0391		Hood Spring
15	13472	638	Hood Ass'y.	60	736-0722		L-Wash. #10
16	747-0231		Hinge Rod	61	712-0121		Hex Nut #10-24 Thd.
17	13581		Hood Hinge Ass'y.	62	13528		Speed Control Guide
18	736-0329		L-Wash. 1/4" I.D.*	63	710-0255		Truss Mach. Scr. 1/4-20 x .75" Lg.*
19	712-0287		Hex Nut 1/4-20 Thd.*	64	13509		Frame Ass'y.
20	13106A	638/N	Rear Fender	65	736-0242		Bell-Wash. 5/16" I.D.
21	710-0721		FI-Hd. Truss Scr. #10 x .62" Lg.	66	736-0141		Spr. Wash. .445" I.D. x .75"
22	746-0907	N	Throttle Control	67	738-0296		Shld. Bolt .437" Dia. x .268"
23	725-3141		Ammeter	69	726-0167		1/4-Turn Stud
24	735-0199		Rubber Bumper	70	13525		Hood Lower Side Panel
25	746-0343		Choke Control	71	13576		Foot Step Panel Ass'y.—R.H.
26	725-0646		Light Switch		13577		Foot Step Panel Ass'y.—L.H. (Not Shown)
27	731-0463		Dash Panel	72	710-0253		Hex Bolt 3/8-16 x 1.00" Lg. Grade 5
28	710-0258		Hex Bolt 1/4-20 x .62" Lg.*	73	736-0117		FI-Wash. .385" I.D. x .62" O.D.
29	13689		Hood Support Brkt. Ass'y.—R.H.	74	710-0194		Hex Bolt 3/8-16 x 3.00" Lg.*
30	736-0159		FI-Wash. .344" I.D. x .875"	75	710-0253		Hex Bolt 3/8-16 x 1.00" Lg. Grade 5
31	722-0160		Bushing	78	736-0169		L-Wash. 3/8" I.D.*
32	13585		Hinge Rod Support	79	712-0798		Hex Nut 3/8-16 Thd.*
33	736-0211		FI-Wash. .250" I.D. x 1.25" O.D.	80	750-0261		Spacer .375" I.D. x .62" O.D. x 2.00" Lg.
34	725-1303		Safety Switch (Seat)	84	13066		Transaxle Support Brkt.
35	725-1439		Safety Switch (Seat)	85	710-0617		Rd. Hd. Rib Neck Scr. 3/8-24
36	710-0294		Hex Bolt 1/4-20 x .38" Lg.*	86	736-0217		L-Wash. 3/8" I.D.*
37	17950		Seat Pivot Support Brkt.—R.H.	87	712-0241		Hex Nut 3/8-24 Thd.*
38	13690		Hood Support Brkt. Ass'y.—L.H.	88	710-0167		Carr. Bolt 1/4-20 x .50" Lg.*
39	13687		Head Lamp Retainer	90	731-0405		Snap Bushing
40	722-0136		Foam Strip	91	710-0618		FI-Hd. Self-Tap Scr. 1/4-20 x .62" Lg.
41	13724		Heat Shield Brkt.	92	13529		Transmission Cover
42	731-0465		Head Lamp Bezel	97	13536		Dash Panel Mtg. Brkt.
43	710-0425		Truss Mach. Scr. #10-24 x .50" Lg.	99	726-0168		Retainer
44	725-0222		Head Lamp				
45	13730		Grille Screen				

*For faster service obtain standard nuts, bolts and washers locally. If these items cannot be obtained locally, order by part number and size as shown on parts list.

Model 995




Model 995

PARTS LIST FOR MODEL 995 HYDROSTATIC TRACTOR

REF. NO.	PART NO.	CODE	DESCRIPTION	REF. NO.	PART NO.	CODE	DESCRIPTION
1	731-0220		Steering Wheel Cap	32	734-1221		Front Wheel Ass'y. Comp.
	731-0955		Steering Wheel Insert (Optional)		734-0787A	N	Front Wheel Rim Only
2	712-0158		Hex Cent. L-Nut 5/16-18 Thd.		734-0294		Front Wheel Tire Only
3	736-0270		Bell-Wash.		734-0255		Air Valve
4	731-0806A		Steering Wheel	33	741-0516		Flange Brg. .757" I.D.
5	750-0362		Steering Tube—Outer	34	736-0254		FI-Wash. .635" I.D. x 1.12" O.D.
6	736-0296		Double "D" FI-Wash.	35	737-0280		Grease Fitting
7	736-0174		Wave Wash. .660" I.D. x .88" O.D.	36	712-0798		Hex Nut 3/8-16 Thd.*
				38	731-0349		Dust Cover
8	741-0138		Ball Brg. .63" I.D. x 1.38" O.D.	39	—		See Ref. No. 16
9	13515		Steering Column Ass'y.	40	710-0937		Hex Bolt 3/8-16 x 2.50" Lg.*
10	13586		Dash Panel Base Plate Ass'y.	41	741-0199		Flange Brg. w/Flats .753" I.D.
11	710-0623		Hex Self-Tap Scr. 3/8-16 x .75" Lg.	42	750-0333		Steering Gear Shaft Spacer
				43	13132		Steering Arm
12	710-0344		Hex Bolt 3/8-16 x 1.50" Lg.*	44	748-0238		Bevel Gear
13	710-0253		Hex Bolt 3/8-16 x 1.00" Lg.*	45	738-0342		Steering Gear Shaft
14	710-0502		Hex Wash. S.F. Tap Scr. 3/8-16 x 1.25" Lg.	46	710-0344		Hex Bolt 3/8-16 x 1.50" Lg.*
				48	736-0133		FI-Wash. .406" I.D. x 1.25" O.D.
15	13547		Dust Shield	50	710-0216		Hex Bolt 3/8-16 x .75" Lg.*
16	13032		Front Pivot Brkt. Ass'y.	51	710-0670		Nylon Hex Bolt 3/8-16 x 1.25" Lg.
17	736-0169		L-Wash. 3/8" I.D.*	52	738-0408		Steering Shaft
18	712-0798		Hex Nut 3/8-16 Thd.*	53	712-0342		Hex Jam Nut 3/8-16 Thd.
19	13008		Pivot Bar Ass'y.	54	736-0219		Bell-Wash. .400" I.D. x 1.13" O.D.
20	736-0219		Bell-Wash. 3/8" I.D.*				
21	712-0375		Hex Cent. L-Nut 3/8-16 Thd.*	55	712-0239		Hex Ins. L-Nut 1/2-20 Thd.
22	723-0179		Drag Link End	56	748-0227		Hex Flange Brg. .630 I.D.
23	13001		Axle Ass'y.—L.H.	57	748-0237		Pinion Gear
24	747-0294		Drag Link	58	736-0264		FI-Wash. 3/8" Dia.
25	712-0922		Hex Nut 1/2-20 Thd.	59	712-0237		Hex Cent. L-Nut 5/16-24 Thd.
26	736-0921		L-Wash. 1/2" I.D.*	60	13539		Spacer
27	747-0279		Tie Rod	61	710-0152		Hex Bolt 3/8-24 x 1.00" Lg.*
28	13002		Axle Ass'y.—R.H.	62	712-0241		Hex Nut 3/8-24 Thd.*
29	731-0556		Hub Cap				
30	714-0142		Cotter Pin 3/16" Dia. x 1.50" Lg.*				
31	736-0259		FI-Wash. 1.00" I.D. x 1.62" O.D.				

*For faster service obtain standard nuts, bolts and washers locally. If these items cannot be obtained locally, order by part number and size as shown on parts list.

CODE: N notates a **new part** (not previously existing). A three digit number is the **color code**. Specify color code as shown below if color or finish is important when ordering parts. [i.e., 638 for Red Finish].

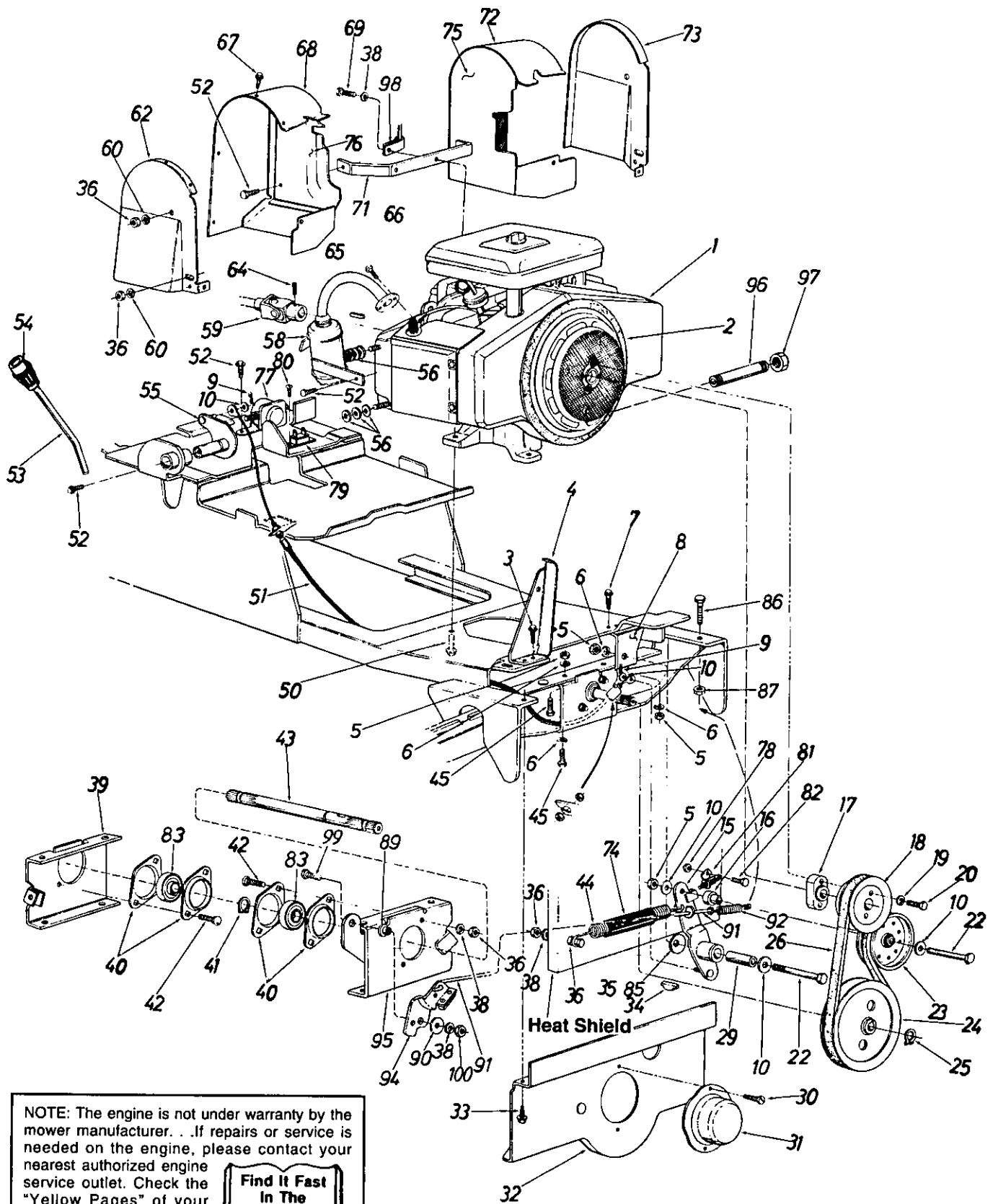
 **NOTE**

Specifications subject to change without notice or obligation.

Color Codes

456—Radiant Tangerine	637—Black
460—Green Flake	638—Red
483—Charcoal Gray	640—Green
498—Yellow	646—CM Blue
499—Beige	657—Teal
629—Silver Flake	

Model 995



NOTE: The engine is not under warranty by the mower manufacturer. . . If repairs or service is needed on the engine, please contact your nearest authorized engine service outlet. Check the "Yellow Pages" of your telephone book under "Engines-Gasoline."

**Find It Fast
In The
Yellow Pages**

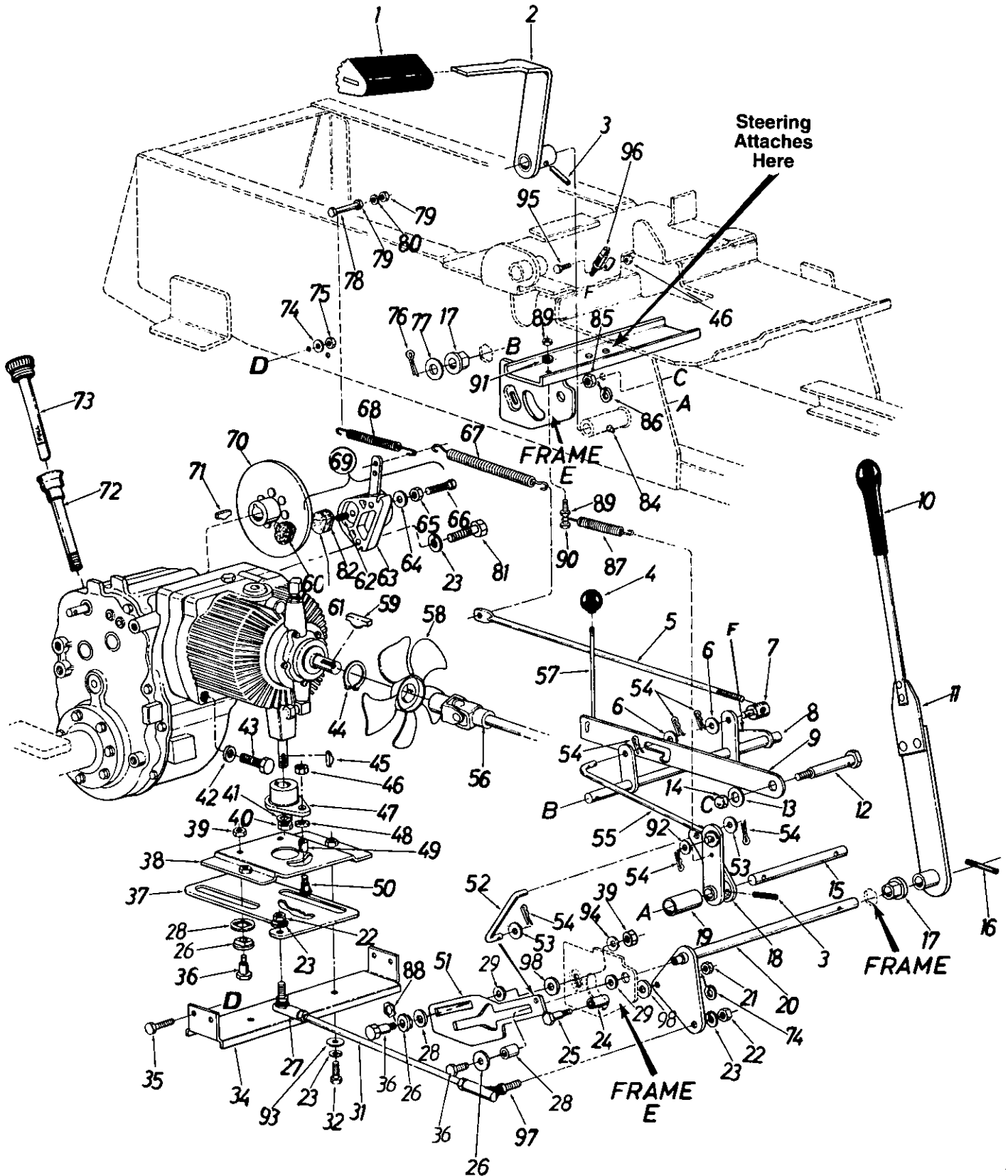
Model 995

PARTS LIST FOR MODEL 995 HYDROSTATIC TRACTOR

REF. NO.	PART NO.	CODE	DESCRIPTION	REF. NO.	PART NO.	CODE	DESCRIPTION
1	—		Engine	55	13587		PTO Actuator Lever Ass'y.
2	722-0148		Mylar Foam Strip	56	736-0288		FI-Wash. .312" I.D. x 1.620" O.D. x .060
3	710-0642		Hex Wash. Hd. Self-Tap Scr. 1/4-20 x .75" Lg.	58	751-0242		Muffler Ass'y. Comp.—R.H.
4	13590		Belt Guard	59	717-0402		Universal Joint Ass'y. Comp.
5	712-0798		Hex Nut 3/8-16 Thd.*	60	736-0264		FI-Wash. .312" I.D. x .630" O.D.
6	736-0169		L-Wash. 3/8" I.D.*	62	13722		Shroud Outer—R.H.
7	710-0601		Hex Wash. Hd. Self-Tap Scr. 5/16-18 x .75" Lg.	64	710-0666		Sq. Hd. Set Scr. 5/16-18 x .38" Lg. (Cup Point)
8	13554		PTO Support Brkt.	65	714-0114		Sq. Key 1/4" x 2.00" Lg.
9	714-0101		Hairpin Cotter 1/2" Dia.	66	710-0751		Hex Wash. Hd. Scr. 1/4-20 x 5/8" Lg.—Grade 5
10	736-0133		FI-Wash. .38" I.D. x 1.25" O.D. x .100" Thk.	67	710-0224		Hex "AB" Tap Scr. #10 x .50" Lg.
15	13550		PTO Idler Ass'y.	68	13720		Shroud Cover—R.H.
16	711-0598		Idler Adapter	69	710-0157		Hex Bolt 5/16-24 x .75" Lg.*
17	748-0271		Pulley Spacer	71	13723		Shroud Support Brkt.
18	756-0312		1/2" V-Pulley 4.75" O.D. (Engine)	72	13719		Shroud Cover—L.H.
19	736-0217		L-Wash. 3/8" I.D. H.D.	73	13721		Shroud Outer—L.H.
20	710-0427		Hex Scr. 3/8-16 x 2.00" Lg.*	74	731-0466		Spring Cover Tubing (PTO Clutch)
22	710-0937		Hex Bolt 3/8-16 x 2.50" Lg.*	75	13714A	N	Shroud Inner Ass'y.—L.H.
23	711-0306		Flat Idler Pulley	76	13717A	N	Shroud Inner Ass'y.—R.H.
24	756-0309		1/2" V-Pulley 7.00" O.D. (PTO)	77	725-1426		Solenoid
25	716-0127		Snap Ring	78	710-0289		Hex Bolt 1/4-20 x 1/2" Lg.
26	754-0234		"V"-Belt 1/2" x 41" Lg. (PTO)	79	725-0459		Circuit Breaker
29	750-0374		Spacer .375" I.D. x .62" O.D. x 1.830" Lg.	80	710-0351		Truss Mach. Scr. #10 x .50" Lg.
30	710-0224		Hex "B" Tap Scr. #10 x .50" Lg.	81	725-3169A		Safety Switch (PTO)
31	13546		PTO Cup	82	736-0329		L-Wash. 1/4" I.D.*
32	13542		PTO Belt Guard Ass'y.	83	741-0303		Ball Bearing
33	710-0601		Hex Wash. Self-Tap Scr. 5/16-18 x .75	84	751-0241		Muffler Ass'y. Comp.—L.H. (Not Shown)
34	714-0154		#91 Hi-Pro Key	85	736-0331		Beil-Wash. .39" I.D. x 1.13"
35	710-0528		Hex Bolt 5/16-18 x 1.25" Lg.	86	710-0344		Hex Bolt 3/8-16 x 1.5" Lg.*
36	712-0267		Hex Nut 5/16-18 Thd.*	87	712-3000		Hex Cent. L-Nut 3/8-16 Thd.
38	736-0119		L-Wash. 5/16" I.D.*	88	712-0123		Hex Nut 5/16-24 Thd.
40	741-0242		1.00" Dia. Brg. w/Flangette	89	736-0289		Shoulder Spacer
41	716-0127		Snap Ring	90	736-0362		FI-Wash. .33" I.D. x 1.25" O.D.
42	710-0451		Carr. Bolt 5/16-18 x .75" Lg.*	91	747-0874	N	PTO Brake Rod
43	738-0395		Spline Shaft	92	732-0339		Extension Spring 2.15" Lg.
44	732-0262		Extension Spring (PTO Clutch)	93	13550		PTO Idler Arm Ass'y.
45	710-0253		Hex Scr. 3/8-16 x 1.00" Lg.*	94	17116		Brake Ass'y.
50	710-0502		Hex Wash. Hd. Self-Tap Scr. 3/8-16 x 1.25" Lg.	95	683-0013	N	PTO Brg. Retainer Brkt. Ass'y.
51	746-0341		PTO Control Cable	96	737-0164		Pipe Nipple 3/8" x 5" Lg.
52	710-0599		Hex Wash. Hd. Self-Tap Scr. 1/4-20 x .50"	97	737-0143		Oil Drain Cap
53	747-0211		PTO Handle	98	726-0272		Clamp
54	720-0218		Shift Knob	99	710-0157		Hex Bolt 5/16-24 x .75" Lg.
				100	712-0123		Hex Nut 5/16-24 Thd.

*For faster service obtain standard nuts, bolts and washers locally. If these items cannot be obtained locally, order by part number and size as shown on parts list.

Model 995

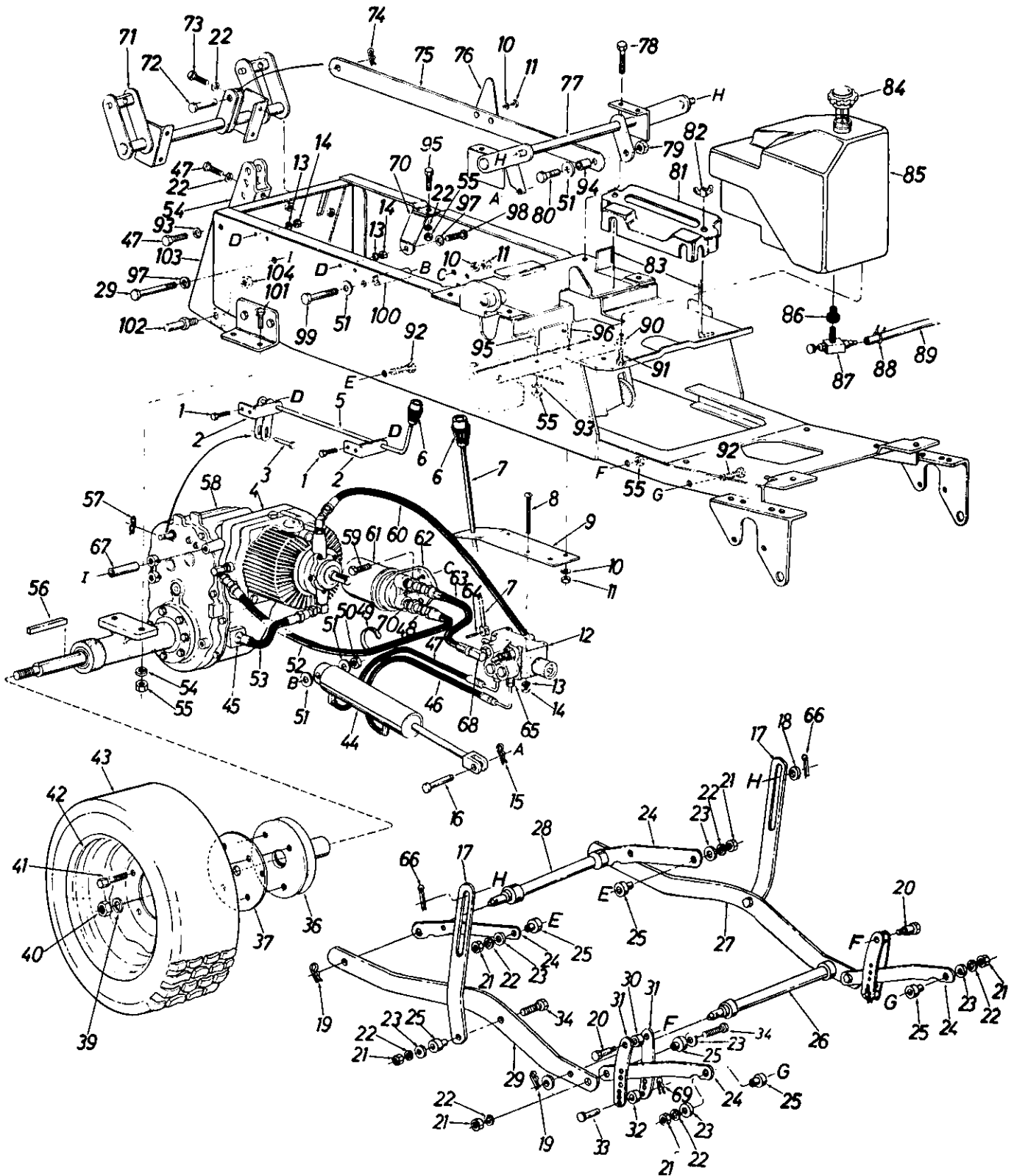


Model 995

PARTS LIST FOR MODEL 995 HYDROSTATIC TRACTOR

REF. NO.	PART NO.	CODE	DESCRIPTION	REF. NO.	PART NO.	CODE	DESCRIPTION
1	735-0189		Foot Pad	49	741-0154		Needle Brg. .31" I.D. x .50" O.D. x .437" Lg.
2	13080		Foot Pedal Brkt. Ass'y.—R.H.				Shld. Bolt .31" Dia. x .500
3	715-0114		Spring Pin Spiral 1/4" Dia. x 1.50" Lg.*	50	710-0491	N	Neutral Control Slide
				51	13556A	N	Neutral Control Rod
4	720-0166		Ball Knob—Brake	52	747-0873		FI-Wash. .312" I.D. x .630" O.D. x .063"
5	747-0283		Brake Rod	53	736-0264		Hairpin Cotter
6	736-0101		FI-Wash. .375" I.D. x 1.00" O.D. x .030"	54	714-0104		Brake Link Rod Ass'y.
7	711-0198		Ferrule	55	13702		Universal Joint Ass'y. Comp.
8	13548A	N	Brake Transfer Shaft Ass'y.	56	717-0402		Parking Brake Link
9	13523		Parking Brake Cam	57	747-0282		Fan Ass'y.
10	720-0223		Grip	58	731-0317		#61 Hi-Pro Key 3/16 x 5/8" Dia.
11	13787		Control Arm Ass'y. Comp.	59	714-0388		Lining—Brake
12	738-0186		Shld. Bolt .62" Dia. x 2.75" Lg.	60	HU-24-13772		Lining—Brake
13	736-0187		FI-Wash. .460" I.D. x 1.24" O.D. x .06"	61	HU-24-13772		Actuator Pin
				62	HU-39-13774		Housing with Lever and Pin Washer
14	712-0222		Push Speed Nut for .625" Dia. Shaft	63	HU-39-14232		Nut
				64	HU-20-9764		Adjustment Pin
15	738-0402		Brake Pivot Shaft	65	HU-37-13818		Extension Spring .50" O.D. x 6.5" Lg.
16	715-0114		Spring Pin Spiral 1/4" Dia. x 1.50" Lg.*	66	HU-39-13775		Extension Spring (Brake Return)
				67	732-0260		Disc Brake Ass'y. Comp.
17	741-0225		Hex Flange Brg. Plastic .62" I.D.	68	732-0429A		Brake Disc Ass'y.
18	13505A	N	Brake Hub Ass'y.	69	761-0170		Hi-Pro Key 3/16 x 3/4" Dia.
19	750-0181		Spacer	70	761-0142		Dipstick Tube Ass'y.
20	683-0020	N	Control Handle Shaft Ass'y.	71	714-0137		Dipstick Ass'y.
21	712-0158		Hex Cent. L-Nut 5/16-18 Thd.	72	751-0239		L-Wash. 5/16" I.D.*
22	712-0241		Hex Nut 3/8-24 Thd.*	73	751-0240		Hex Nut 5/16-18 Thd.*
23	736-0169		L-Wash. 3/8" I.D.*	74	736-0119		Cotter Pin 1/8" Dia. x 1.00" Lg.*
24	748-0270		Spacer	75	712-0267		FI-Wash. .635" I.D. x 1.00" O.D. x .120" Thk.
25	738-0138		Shoulder Bolt	76	714-0115		Hex Scr. 1/4-20 x 2.50" Lg.*
26	736-0406		FI-Wash. 7/16" I.D. x 1-3/8" O.D.	77	736-0162		Hex Nut 1/4-20 Thd.*
27	723-0351		Ball Joint Ass'y. 3/8-24 Thd.—L.H.	78	710-0102		L-Wash. 1/4" I.D.*
				79	712-0287		Hex Scr. 3/8-16 x 1.25" Lg.*
28	750-0915		Spacer	80	736-0329		Backing Plate
29	736-0362		FI-Wash. .325" I.D. x 1.25" O.D.	81	710-0342		Grease Fitting
30	710-0643		Hex Ins. Bolt 5/16-18 x 1.00" Lg.	82	HU-25-13808		Hex Nut 7/16-20 Thd.*
				83	737-0280		L-Wash. 1/4" I.D.*
31	747-0365		Tie Rod	84	712-0240		Hex Scr. 3/8-16 x 1.25" Lg.*
32	710-0216		Hex Bolt 3/8-16 x .75" Lg.*	85	712-0240		Backing Plate
34	13562		Support Channel	86	736-0171		Grease Fitting
35	710-0118		Hex Bolt 5/16-18 x .75" Lg.*	87	732-0121		Hex Nut 7/16-20 Thd.*
36	738-0296		Shld. Bolt .437" Dia. x .268"	88	736-0141		L-Wash. 7/16" I.D.*
37	13555		Cam Plate	89	736-0141		Extension Spring
38	13557		Slide Mtg. Plate Ass'y.	90	712-0287		Wave Wash.
39	712-0158		Hex Cent. L-Nut 5/16-18 Thd.	91	712-0287		Hex Nut 1/4-20 Thd.*
40	712-0206		Hex Nut 1/2-13 Thd.*	92	710-0106		Hex Bolt 1/4-20 x 1.25" Lg.*
41	736-0921		L-Wash. 1/2" I.D.*	93	736-0329		L-Wash. 1/4" I.D.*
42	736-0300		FI-Wash. .385" I.D. x .87" O.D. x .060"	94	736-0101		FI-Wash.
				95	736-0427		FI-Wash. .38" I.D. x 1.25" O.D.
43	710-0492		Socket Hd. Scr. 3/8-16 x 2.75" Lg.	96	736-0242		Bell-Wash.
				97	710-0289		Hex Bolt 1/4-20 x 1/2" Lg.
44	716-0123		Snap Ring	98	725-3169A		Safety Switch (Clutch)
45	714-0131		#5 Hi-Pro Key 1/8" x 5/8" Dia.		723-0156		Ball Joint Ass'y. 3/8-24 Thd.—R.H.
46	712-0107		Hex Cent. L-Nut 1/4-20 Thd.				FI-Wash. .32" I.D. x .6" O.D.
47	13559		Pintle Plate Ass'y.				
48	736-0142		FI-Wash. .281" I.D. x .50" O.D. x .063"				

Model 995



Model 995

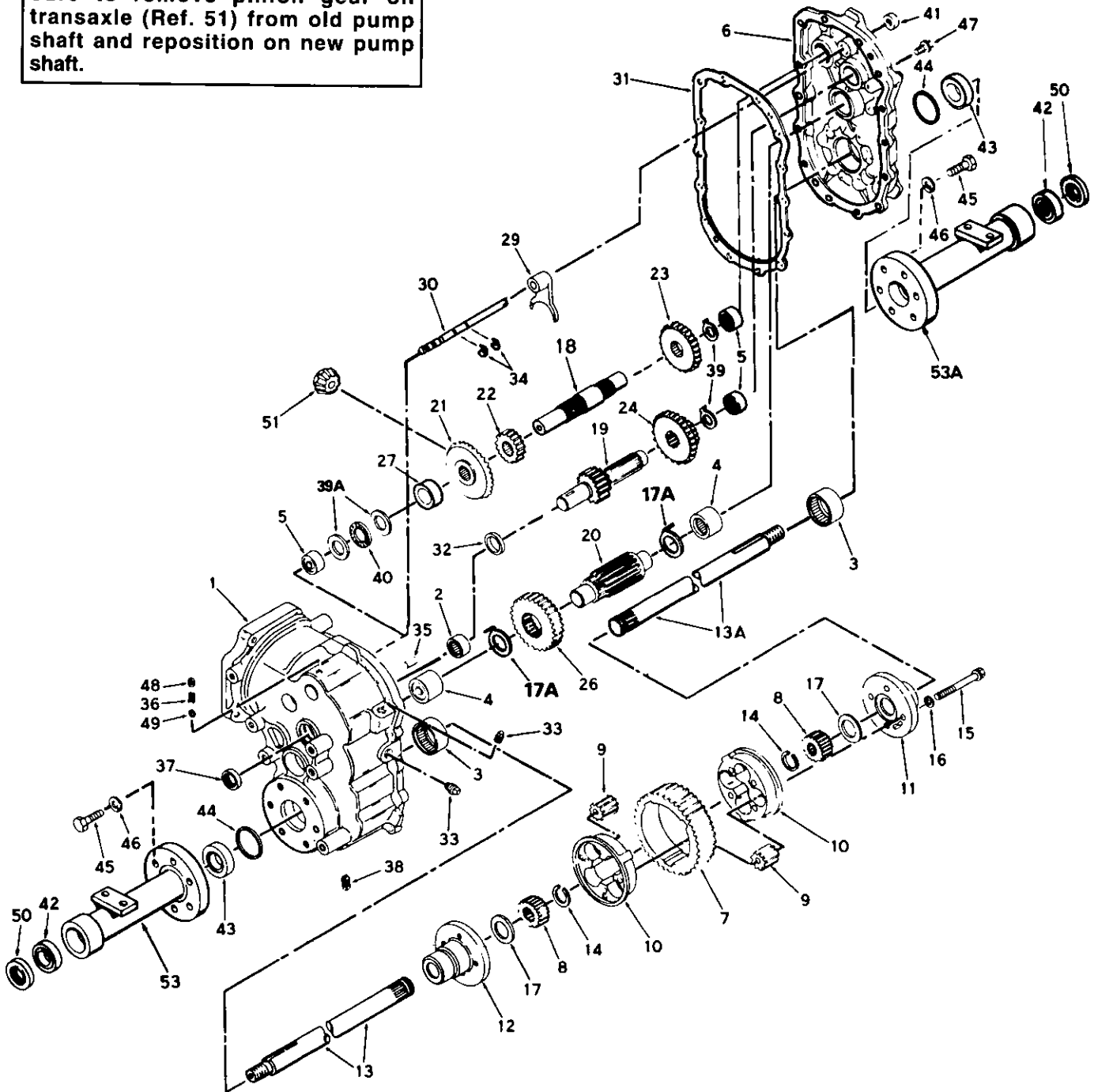
PARTS LIST FOR MODEL 995 HYDROSTATIC TRACTOR

REF. NO.	PART NO.	CODE	DESCRIPTION	REF. NO.	PART NO.	CODE	DESCRIPTION
1	710-0237		Hex Bolt 1/4-20 x .75" Lg.*	53	749-0309		Pump Tube Ass'y.
2	13524		Hi-Lo Speed Control Brkt.	54	13026		Hitch Brkt.
3	711-0684		Clevis Pin 1/4" Dia.	55	712-0798		Hex Nut 3/8-16 Thd.*
4	717-0344		Hydrostatic Pump Comp.	56	714-0114		Sq. Key 1/4" x 1/4" x 2"
5	13532		Hi-Lo Control Handle Ass'y.	57	714-0104		Hairpin Cotter 1/4" Dia.
6	720-0232		Shift Knob	58	—		Peerless Transaxle (See Breakdown)
7	13531		Cylinder Control Handle Ass'y.	59	710-0528		Hex Bolt 5/16-18 x 1.25"
8	710-0105		Truss Mach. Scr. 1/4-20 x 3.00" Lg.*	60	727-0167		Pump to Valve Hose
9	13534		Valve Base Plate	61	727-0162		Fram Filter Ass'y. PH-16
10	736-0119		L-Wash. 5/16" I.D.*	62	727-0163		Filter Base
11	712-0267		Hex Nut 5/16-18 Thd.*	63	727-0218		Valve to Filter Hose—8.38"
12	727-0200		Valve Ass'y. Comp.	64	715-0129		Spring Pin Spiral 1/8" Dia.
13	736-0329		L-Wash. 1/4" I.D.*	65	727-0187		Flare Adapter
14	712-0287		Hex Nut 1/4-20 Thd.*	66	714-0115		Cotter Pin 1/8" Dia. x 1.00"
15	714-0101		Hairpin Cotter 1/2" Dia.	67	750-0417		Spacer
16	711-0140		Clevis Pin 1/2" Dia.	68	727-0175		Adapter 9/16-18 to 9/16-18
17	13570		Deck Link	69	714-0145		Hairpin Cotter
18	736-0156		Fl-Wash. .62" I.D. x 1.12"	70	13530		Transmission Brace
19	714-0147		Hairpin Cotter	71	13135		Rear Lift Shaft Ass'y.
20	738-0148		Shld. Bolt .498" Dia. x .66"	72	711-0654		Clevis Pin
21	712-0241		Hex Nut 3/8-24 Thd.*	73	710-0514		Hex Scr. 3/8-16 x 1.00" Lg. Grade 5
22	736-0217		L-Wash. 3/8" I.D.—H.D.	74	714-0470		Cotter Pin 1/8" Dia. x 1.25"
23	736-0258		Fl-Wash. .38" I.D. x 1.00"	75	13709		Push Bar Ass'y.
24	13151		Lift Arm	76	13535		Position Indicator
25	748-0241		Shoulder Spacer	77	13501		Lift Shaft Ass'y.
26	13729		Cross Shaft Ass'y.—Front	78	710-0649		Hex Self-Tap Scr. 3/8-24 x .88" Lg.
27	13139		Lift Arm Link	79	712-0239		Hex Cent. L-Nut 1/2-20 Thd.
28	13728		Cross Shaft Ass'y.—Rear	80	710-0504		Hex Scr. 1/2-20 x 1.25" Lg.*
29	710-0490		Hex Bolt 1/2-13 x 2.75"	81	731-0707		Battery Cover
30	711-0146		Collar .50" I.D. x 1.0"	82	712-0113		Wing Nut 1/4-20 Thd.
31	13545		Index Brkt.	83	711-0222		Battery Hold Down Rods
32	711-0242		Spacer .38" I.D. x 1.0" O.D.	84	751-0226		Gas Tank Cap
33	711-0173		Clevis Pin 3/8" Dia.	85	751-0238		Gas Tank Ass'y.
34	710-0459		Hex Bolt 3/8-24 x 1.50" Lg.—Grade 5	86	735-0149		Bushing
36	13572		Rear Wheel Hub Ass'y.	87	751-0171		Fuel Shut-Off Valve with Screen
37	13574		Hub Plate	88	726-0205		Gas Line Clamp 1/2"
39	736-0364		L-Wash. 3/4" I.D.	89	751-0535-26		Gas Line 26" Lg.
40	712-0288		Hex Ins. L-Nut 3/4-16 Thd.	90	736-0270		Bell-Wash.
41	710-0470		Wheel Lug Bolt	91	710-0289		Hex Scr. 1/4-20 x .38" Lg.*
42	734-0935		Rear Wheel Rim Only	92	710-0459		Hex Scr. 3/8-24 x 1.50" Lg.*
43	734-0934		Rear Wheel Ass'y. Comp. 27 x 9.50	93	736-0169		L-Wash. 3/8" Scr.*
	734-0397		Tire Only 27 x 9.50	94	750-0336		Push Bar Sleeve
	734-0936		Air Valve	95	710-0253		Hex Scr. 3/8-16 x 1.00" Lg.—Grade 5
44	727-0159		Hydraulic Cylinder	96	710-0118		Hex Scr. 5/16-18 x .75" Lg.*
45	727-0220		7/8-14 UNF-2A Thd. 5/8 Tube Fitting	97	736-0921		L-Wash. 1/2" Scr.*
46	727-0219		Valve to Cylinder Hose—20"	98	710-0474		Hex Scr. 1/2-13 x 1.25" Lg.*
47	710-0216		Hex Bolt 3/8-16 x .75" Lg.—Grade 5	99	710-0515		Hex Scr. 1/2-20 x 31/2" Lg.—Grade 5
48	727-0222		Bushing Reducer 1/2-14 NPTF to 3/8-18 NPTF	100	750-0443		Spacer for Cylinder
49	726-0178		Cable Tie	101	710-0347		Hex Scr. 3/8-16 x 1.75" Lg.*
50	712-0922		Hex Jam Nut 1/2-20 Thd.	102	711-0497		Link Clevis Pin
51	736-0179		Fl-Wash. .50" I.D. x 1.25	103	13196		Hitch Plate Ass'y.
52	727-0217		Filter Return Hose 24" Lg.	104	712-0923		Hex Cent. L-Nut 5/8-18 Thd.

Model 995

NOTE

If hydrostatic pump is replaced, be sure to remove pinion gear on transaxle (Ref. 51) from old pump shaft and reposition on new pump shaft.



Model 995

PARTS LIST FOR TRANSAXLE MODEL 2526B

REF. NO.	PART NO.	DESCRIPTION	REF. NO.	PART NO.	DESCRIPTION
1	PE-770060A	Case Ass'y., Transaxle (Incl. Nos. 2 thru 5)	26	PE-778098	Gear, Output (37 Teeth)
2	PE-780097	Bearing, Needle	27	PE-786094	Spacer (55/64" Long)
3	PE-780098	Bearing, Needle	29	PE-784195	Fork, Shift
4	PE-780099	Bearing, Needle	30	PE-784196	Rod, Shift
5	PE-780100	Bearing, Needle	31	PE-788047	Gasket, Case and Cover
6	PE-772065	Cover Ass'y., Transaxle (Incl. 3, 4 & 5)	32	PE-780005	Spacer
7	PE-778084	Gear, Ring	33	PE-792010	Plug, Pipe
8	PE-778085	Gear, Side	34	PE-792064	Ring, Snap
9	PE-778086	Gear, Pinion	35	PE-786026	Pin, Dowel
10	PE-786054	Core, Body	36	PE-792003	Spring
11	PE-774199	Carrier, Differential	37	PE-788008	Seal, Oil
12	PE-774200	Carrier, Differential	38	PE-792019	Plug, Magnetic Drain
13	PE-774390	Axle, (18-17/64" Long)	39	PE-780045	Washer, Thrust
13A	PE-774389	Axle, (15-29/64" Long)	40	PE-780012	Bearing, Thrust
14	PE-792062	Ring, Snap	41	PE-788034	Seal, Oil
15	PE-792063	Screw, Hex Hd. Mach., 3/8-16 x 3-3/8	42	PE-780103	Bearing, Ball
16	PE-792011	Lock Washer, 3/8"	43	PE-780104	Bearing, Thrust
17	PE-780101	Washer, Thrust	44	PE-788048	Seal, Square Cut
17A	PE-780156	Washer, Thrust	45	PE-792065	Screw, Hex Hd. Mach., 1/2-13 x 11/2
18	PE-776209	Shaft, Counter	46	PE-792066	Lock Washer, 1/2"
19	PE-776122	Shaft, Brake	47	PE-792067	Screw, Hex Hd. Thd. Forming, 5/16-18 x 1
20	PE-776120	Pinion, Output	48	PE-792068	Screw, Set 1/4-20 x 1/2
21	PE-778087	Gear, Bevel (30 Teeth)	49	PE-792004	Ball, Steel
22	PE-778088	Gear, Spur (16 Teeth)	50	PE-788049	Seal, Oil
23	PE-778096	Gear, Spur (23 Teeth)	51	PE-778093A	Pinion, Bevel
24	PE-778097	Gear, Cluster (20 and 27 Teeth)	53	PE-782061	Housing, Axle (9-1/4" Long)
			53A	PE-782060	Housing, Axle (7-5/16" Long)

NOTE: This unit is not under warranty by the mower manufacturer. All Part Orders and Service must be handled through the Local Authorized Tecumseh Service Dealer.



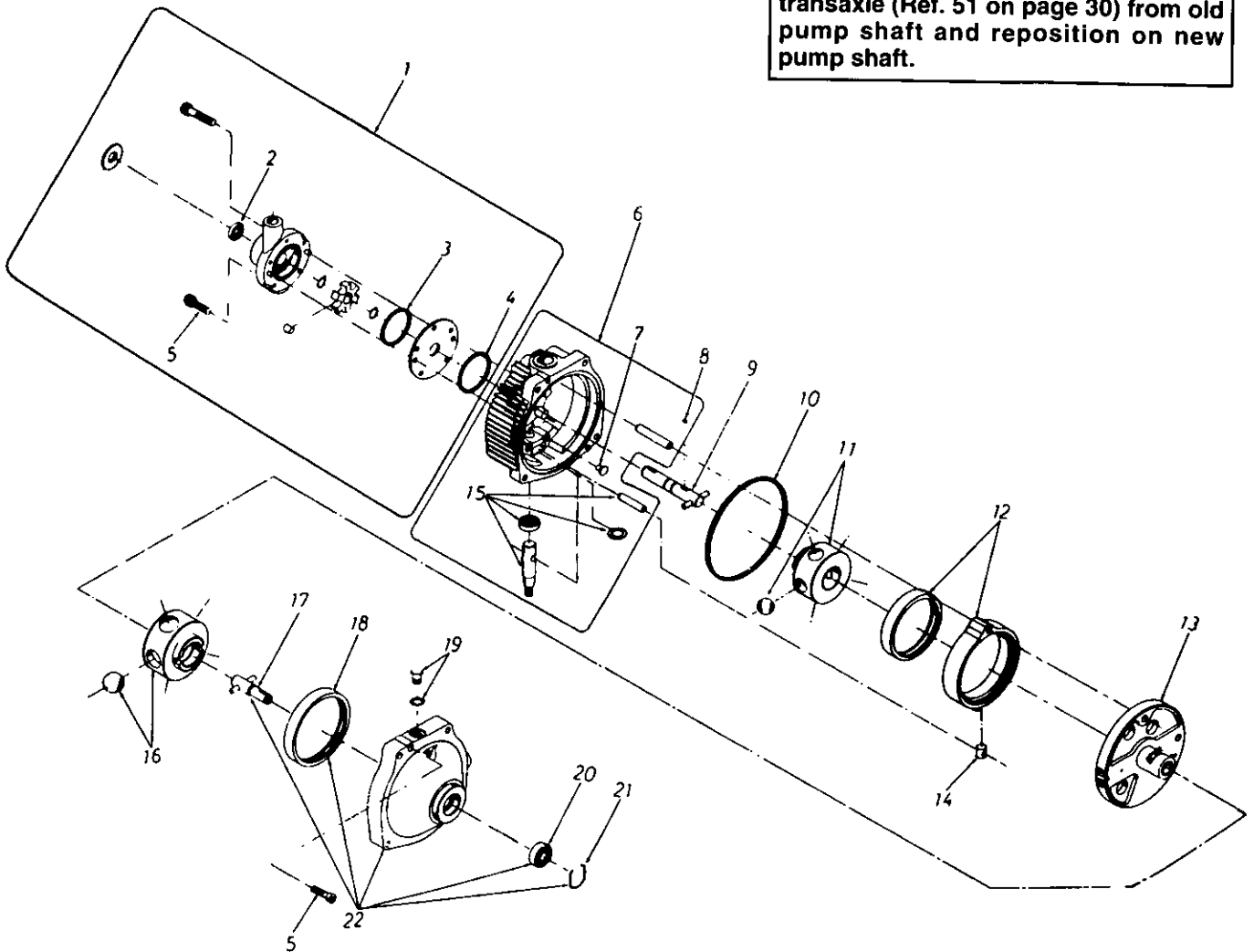
PEERLESS MODEL 2526

This unit is under warranty by Tecumseh Products Company. Parts and Service are available through all Tecumseh, Lauson Power Products Service Dealers. Check the "Yellow Pages" of your telephone directory under "Engines—Gasoline."

Model 995 M11 HYDROSTATIC TRANSMISSION



If hydrostatic pump is replaced, be sure to remove pinion gear on transaxle (Ref. 51 on page 30) from old pump shaft and reposition on new pump shaft.

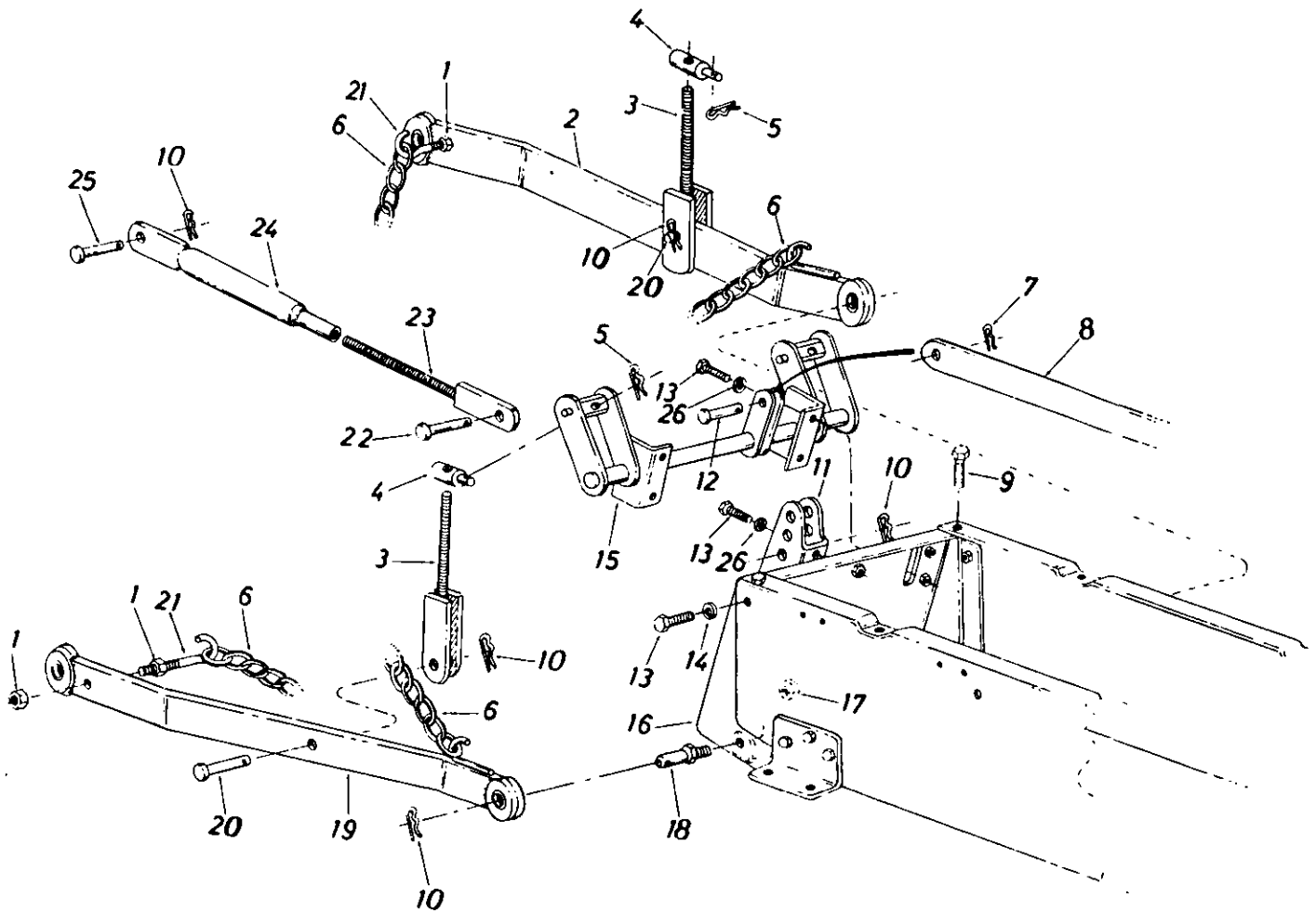


**PARTS LIST FOR M11 HYDROSTATIC TRANSMISSION
ET001100-006 (717-0344)**

REF. NO.	PART NO.	DESCRIPTION	REF. NO.	PART NO.	DESCRIPTION
1	ET-990045-000	Charge Pump Kit	12	ET-101904-000	Cam Ring Subassembly
2	ET-092999-000	Oil Seal	13	ET-101571-000	Pintle Subassembly
3	ET-008771-036	Square Cut Seal Ring .036	14	ET-097841-000	Cam Ring Insert
4	ET-008771-038	Square Cut Seal Ring .038	15	ET-990136-000	Control Shaft Kit
5	ET-095912-125	Socket Head Cap Screw 5/16-18 x 1.25" Long	16	ET-101853-000	Motor Rotor—Ball Subassembly
6	ET-990114-000	Cover Subassembly	17	ET-024608-000	Output Shaft Subassembly
7	ET-101597-000	Button	18	ET-040525-000	Motor Race
8	ET-090880-000	Drive Pin	19	ET-025090-006	"O"-Ring Plug Subassembly
9	ET-024129-000	Input Shaft Subassembly	20	ET-097879-000	Ball Bearing (Output)
10	ET-008771-166	Square Cut Seal Ring .166	21	ET-091231-000	Retaining Ring
11	ET-101470-000	Pump Rotor—Ball Subassembly	22	ET-102583-000	Body Subassembly

NOTE: A complete disassembly procedure and repair manual for the hydrostatic pump is available from the factory. Write for manual covering Model 717-0344, Form No. 5390.

Model 995

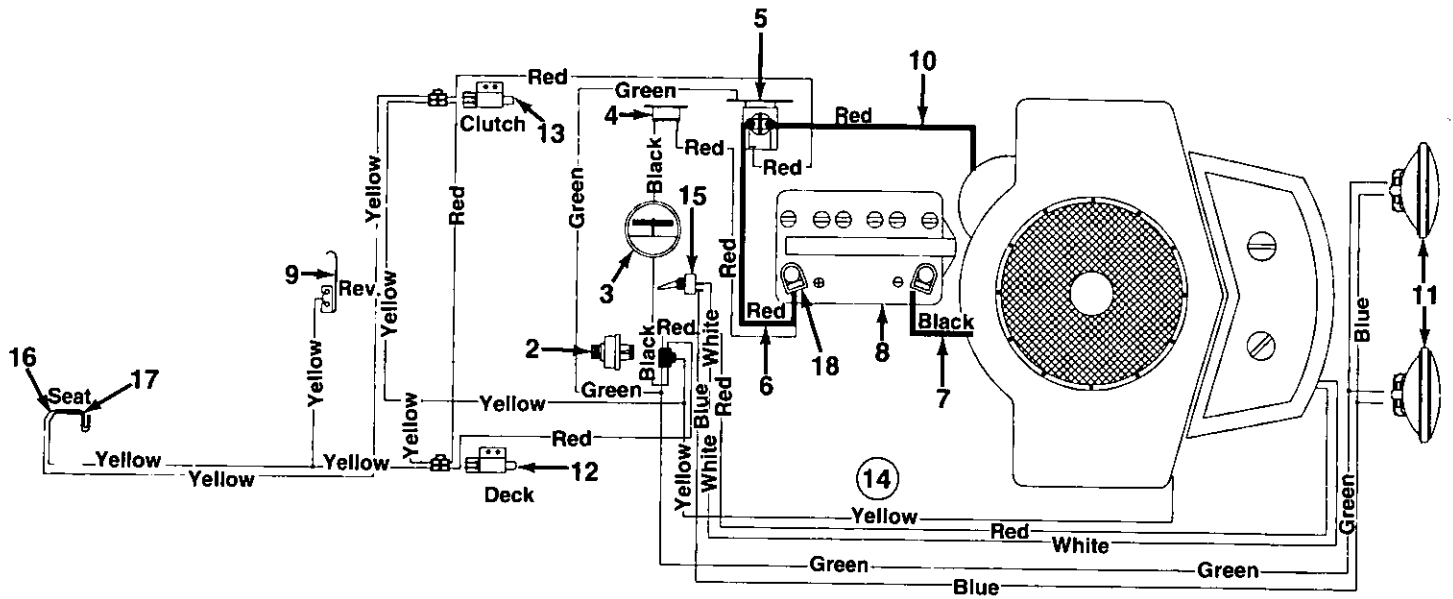


THREE POINT HITCH

PARTS LIST FOR MODEL 995 THREE POINT HITCH (OPTIONAL)

REF. NO.	PART NO.	CODE	DESCRIPTION	REF. NO.	PART NO.	CODE	DESCRIPTION
1	712-0290		Hex Cent. L-Nut 7/16-14 Thd.	14	736-0217		L-Wash. 3/8" Scr.—H.D.*
2	13130		Draft Bar Ass'y.—L.H.	15	13135		Rear Lift Shaft Ass'y.
3	13138		Clevis Screw Ass'y.	16	13196		Hitch Plate Ass'y.
4	711-0649		Clevis Pin	17	712-0923		Hex Cent. L-Nut 5/8-18 Thd.
5	714-0147		Hitch Pin Clip	18	711-0497		Link Clevis Pin
6	713-0148		Chain—20 Links	19	13129		Draft Bar Ass'y.—R.H.
7	714-0470		Cotter Pin 1/8" Dia. x 1.25" Lg.*	20	711-0225		Clevis Pin .63" Dia. x 1.66" Lg.
8	13709		Push Bar Ass'y.	21	711-0639		Hitch Chain Hook
9	710-0216		Hex Scr. 3/8-16 x .75" Lg.*	22	711-0299		Clevis Pin .63" Dia. x 2.4" Lg.
10	714-0117		Hairpin Cotter	23	711-0636		Clevis Screw
11	13026		Hitch Brkt.	24	749-0238		Clevis Tubing
12	711-0654		Clevis Pin	25	711-0299		Clevis Pin .63" Dia. x 2.4" Lg.
13	710-0216		Hex Scr. 3/8-16 x .75" Lg.*	26	736-0217		L-Wash. 3/8" Scr.—H.D.

Model 995



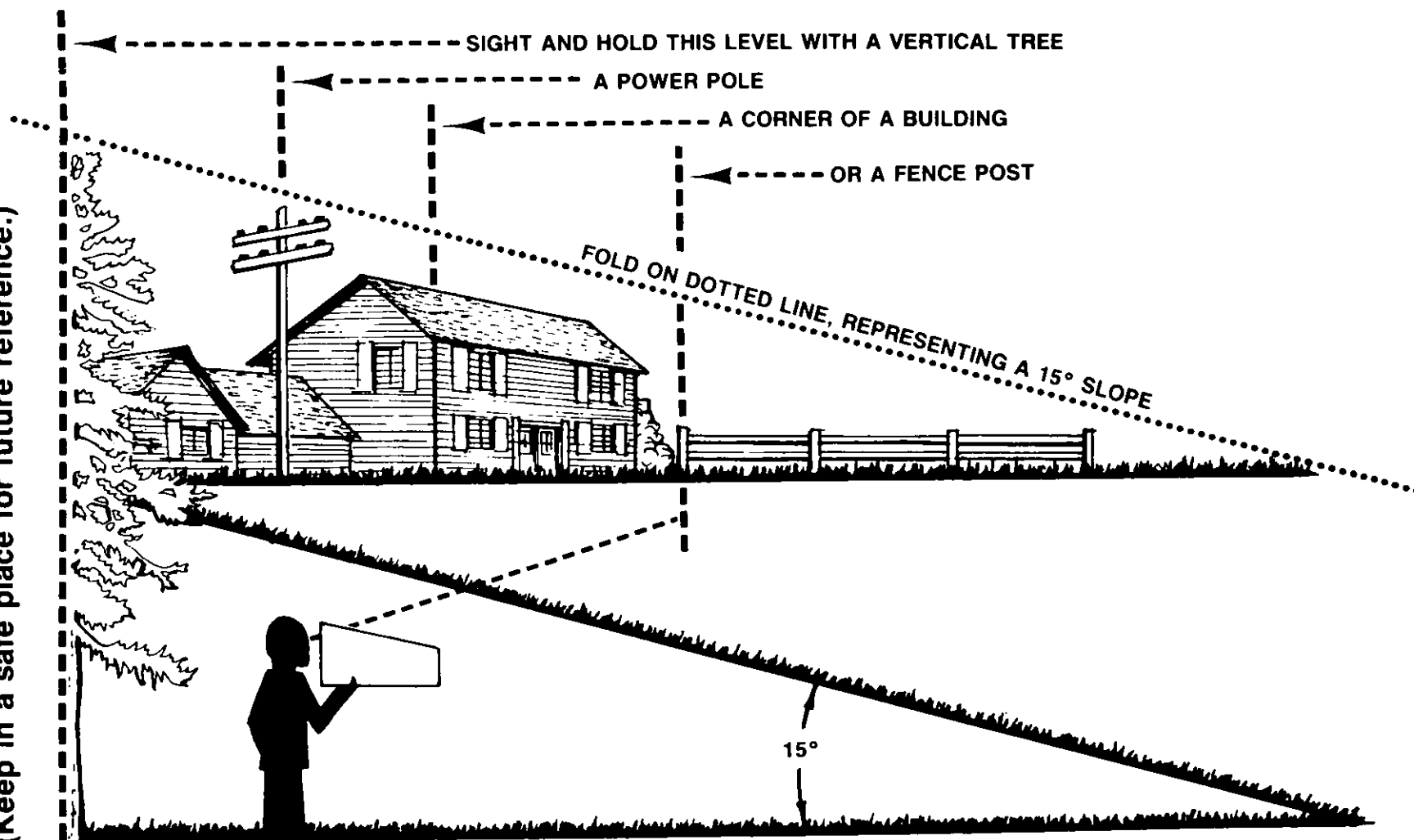
PARTS LIST FOR ELECTRICAL SYSTEM

REF. NO.	PART NO.	CODE	DESCRIPTION
1	725-0201		Ignition Key (Not Shown)
2	725-0267		Ignition Switch
3	725-3141		Ammeter
4	725-0459		Circuit Breaker
5	725-1426		Solenoid
6	725-0558		Electric Wire
7	725-0994		Electric Wire
8	725-0453A		Battery
9	725-0758		Spring Switch (Reverse Safety)
10	725-0562		Electric Wire
11	725-0222		Headlights
12	725-3169A	N	Safety Switch (PTO)
13	725-3169A		Safety Switch (Clutch)
14	629-0083	N	Wire Harness
15	725-0646		Light Switch
16	725-1303		Safety Switch (Seat)
17	725-1439		Safety Switch (Seat)
18	725-0662		Battery Boot

USE THIS SHEET AS A GUIDE TO DETERMINE SLOPES WHERE YOU MAY NOT OPERATE SAFELY.

SLOPE GAUGE

(Keep in a safe place for future reference.)



WARNING

Do not mow on inclines with a slope in excess of 15 degrees (a rise of approximately 2-1/2 feet every 10 feet). A riding mower could overturn and cause serious injury. If operating a walk-behind mower on such a slope, it is extremely difficult to maintain your footing and you could slip, resulting in serious injury.

Operate RIDING mowers up and down slopes, never across the face of slopes.

Operate WALK-BEHIND mowers across the face of slope, never up and down slopes.

TWO YEAR LIMITED WARRANTY

For TWO YEARS from the date of retail purchase within the United States of America, its possessions and territories, WHITE OUTDOOR PRODUCTS COMPANY will, at its option, repair or replace, for the original purchaser, free of charge, any part or parts found to be defective in material or workmanship.

This Warranty Does Not Cover:

1. Any part which has become inoperative due to misuse, abuse, neglect, accident, improper maintenance or alteration; or
2. The unit if it has not been operated and/or maintained in accordance with the owner's instructions furnished with the unit; or
3. The engine or motor or component parts thereof which carry separate warranties from their manufacturers. Please refer to the applicable manufacturer's warranty on these items; or
4. Batteries and normal wear parts except as noted below. Log splitter pumps, valves and cylinders or component parts thereof are covered by a one year warranty; or
5. Routine maintenance items such as lubricants, filters, blade sharpening and tune-ups, or adjustments such as brake, clutch or deck; or
6. Normal deterioration of the exterior finish due to use or exposure.

Commercial Use: Warranty on units used commercially is limited to sixty (60) days.

Units Exported Out of the United States: WHITE OUTDOOR PRODUCTS does not extend any warranty for products sold or exported outside of the United States of America, its possessions and territories, except through WHITE OUTDOOR authorized channels of export distribution which are subject to a one year warranty. Please contact your retail store or distributor for details.

Full Ninety Day Warranty on Battery: For ninety (90) days from the date of retail purchase, if any battery included with this unit proves defective in material or workmanship and our testing determines the battery will not hold a charge, WHITE OUTDOOR PRODUCTS will replace the battery at no charge to the original purchaser.

Additional Limited Thirty Day Warranty on Battery: After ninety (90) days but within one hundred twenty (120) days from the date of purchase, WHITE OUTDOOR PRODUCTS will replace the defective battery, for the original purchaser, for a cost of one-half (1/2) of the current retail price of the battery in effect at the date of return.

How to Obtain Service: Warranty service is available, with proof of purchase, through your local authorized service dealer or distributor. If you do not know the dealer or distributor in your area, please write to the Customer Service Department of WHITE OUTDOOR PRODUCTS COMPANY, P.O. Box 361131, Cleveland, Ohio 44136. The return of a complete unit will not be accepted by the factory unless prior written permission has been extended by the Service Department of WHITE OUTDOOR PRODUCTS.

Transportation Charges: Transportation charges for the movement of any power equipment unit or attachment are the responsibility of the purchaser. Transportation charges for any part submitted for replacement under this warranty must be paid by the purchaser unless such return is requested in writing by WHITE OUTDOOR PRODUCTS.

Other Warranties: All other warranties, express or implied, including any implied warranty of merchantability is limited in its duration to that set forth in this express limited warranty. The provisions as set forth in this warranty provide the sole and exclusive remedy of WHITE OUTDOOR PRODUCTS obligations arising from the sale of its products. WHITE OUTDOOR PRODUCTS COMPANY will not be liable for incidental or consequential loss or damage.

How State Law Relates to This Warranty:

1. Some states do not allow limitations on how long an implied warranty lasts, so the above limitation may not apply to you.
2. Some states do not allow the exclusion or limitation of incidental or consequential damages, so the above limitation or exclusion may not apply to you.
3. This warranty gives you specific legal rights, and you may also have other rights which vary from state to state.

The Pursuit of Value...



White Shows the Way!

Free Manuals Download Website

<http://myh66.com>

<http://usermanuals.us>

<http://www.somanuals.com>

<http://www.4manuals.cc>

<http://www.manual-lib.com>

<http://www.404manual.com>

<http://www.luxmanual.com>

<http://aubethermostatmanual.com>

Golf course search by state

<http://golfingnear.com>

Email search by domain

<http://emailbydomain.com>

Auto manuals search

<http://auto.somanuals.com>

TV manuals search

<http://tv.somanuals.com>