

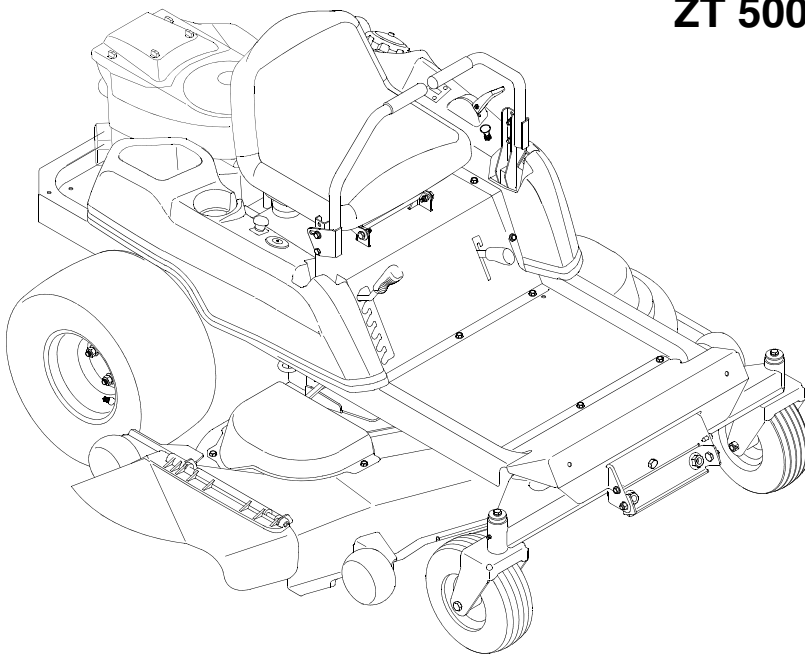
White **OUTDOOR**

Parts MANUAL

ZERO TURN TRACTOR Model Numbers

ZT 4200 w/42" Mower Deck

ZT 5000 w/50" Mower Deck



IMPORTANT: READ SAFETY RULES AND INSTRUCTIONS CAREFULLY

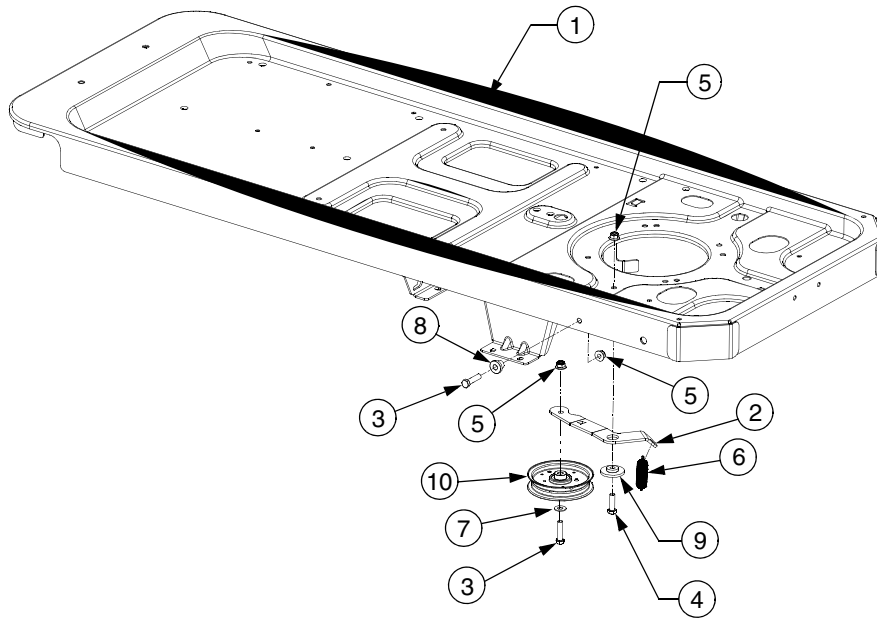
Warning: This unit is equipped with an internal combustion engine and should not be used on or near any unimproved forest-covered, brush-covered or grass-covered land unless the engine's exhaust system is equipped with a spark arrester meeting applicable local or state laws (if any). If a spark arrester is used, it should be maintained in effective working order by the operator. In the State of California the above is required by law (Section 4442 of the California Public Resources Code). Other states may have similar laws. Federal laws apply on federal lands. A spark arrester for the muffler is available through your nearest engine authorized service dealer or contact the service department, P.O. Box 361131 Cleveland, Ohio 44136-0019.

MTD LLC, P.O. BOX 361131 CLEVELAND, OHIO 44136-0019

PRINTED IN U.S.A.

FORM NO. 769-02842
(2/07)

FRAME: MODELS ZT4200 AND ZT5000

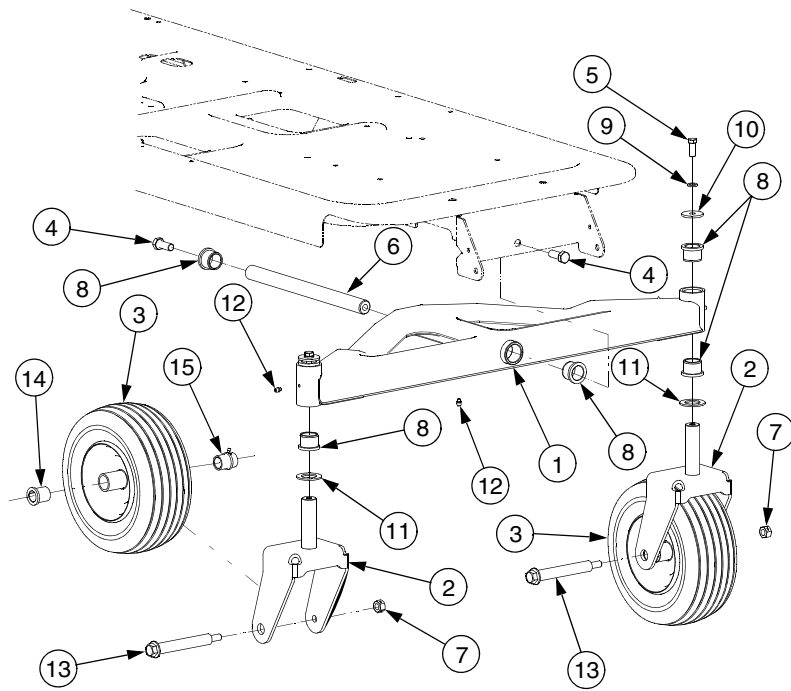


REF. NO.	PART NUMBER	DESCRIPTION	QTY.
1	603-04303C	Frame Assembly	1
	777I22489	Graphic, Release Lever	2
	777D10797	Graphic, White Outdoor	1
2	703-05829	Idler Arm, Drive	1
3	710-0520	Screw, Hex Cap, 3/8-16 x 1.5 GR5	3
4	710-3005	Screw, Hex Cap, 3/8-16 x 1.25 GR5	1
5	712-04065	Nut, Hx Insert Flnge Lck, 3/16 GrF	4
6	732-0626	Spring, Extension, .75 x 5.06	1
7	736-0300	Washer, Flat, .408 x .875 x .059	1
8	738-04058	Spacer, Shoulder, .39 x 1.0 x .7	2
9	738-04162A	Spacer, Shoulder, .884 x .19	1
10	756-04129	Pulley, Idler, 4.25 Dia.	1

NOTE: For **painted parts**, please refer to the list of color codes below. Please add the applicable color code, wherever needed, to the part number to order a replacement part.
 For instance, if a part, numbered 700-xxxx, is painted red metallic, the part number to order would be 700-xxxx-0650.

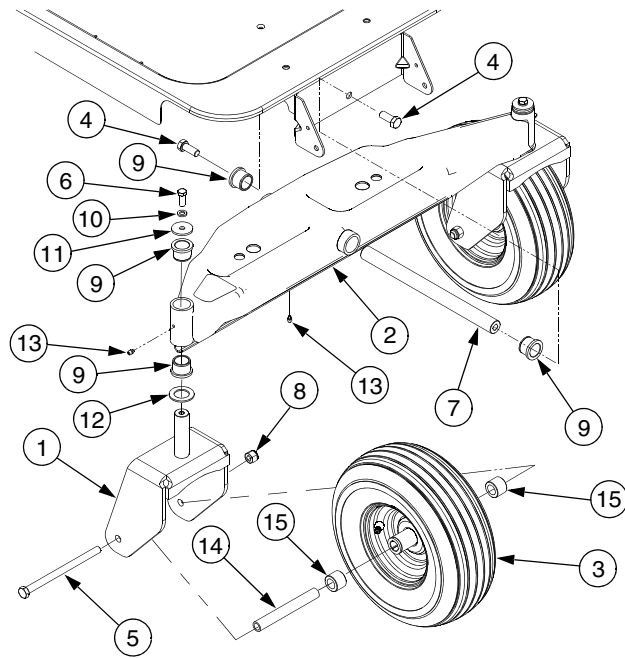
Red : 0650
 Oyster Grey: 0662
 Powder Black: 0637

FRONT AXLE & WHEELS: MODEL ZT4200 ONLY



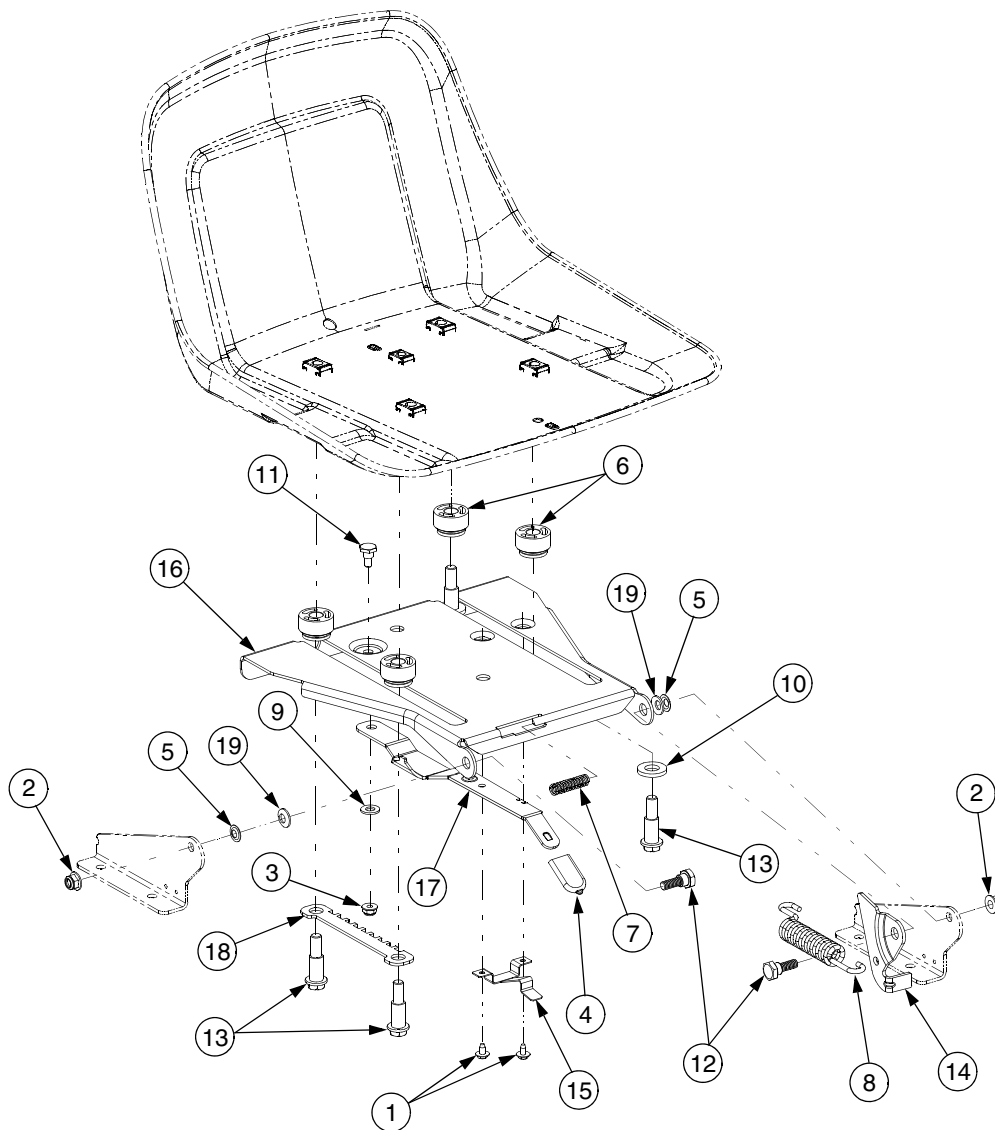
REF. NO.	PART NUMBER	DESCRIPTION	QTY.
1	603-04148C	Axle, Front Pivot	1
2	603-04308	Bracket, Castor Wheel	2
3	634-04237A	Wheel Assembly, 11.0 x 4.0 x 5.0	2
4	710-04186	Screw, Hex Lock, 1/2-13 x 1.25 GR5	2
5	710-0514	Screw, Hex Cap, 3/8-16 x 1.0 GR5	2
6	711-04228	Shaft, Axle	1
7	712-3022	Nut, Hex Lock, 1/2-13 GRB	2
8	731-05500	Bearing, Flange, 1.0 x 1.246	6
9	736-0169	Washer, Lock, 3/8	2
10	736-0227	Washer, Flat,39 x 1.5 x .134	2
11	736-0250	Washer, Flat, 1.0 x 1.75 x .107	2
12	737-3000	Fitting, Lube, 3/16 Drive	3
13	738-04182A	Screw, Shoulder,75 x 4.75:7/16-14	2
14	741-0516B	Bearing, Flange,76 x 1.0 x 1.2	2
15	741-0990B	Bearing, Flange,76 ID w/Lube Ftg.	2

FRONT AXLE & WHEELS: MODEL ZT5000 ONLY



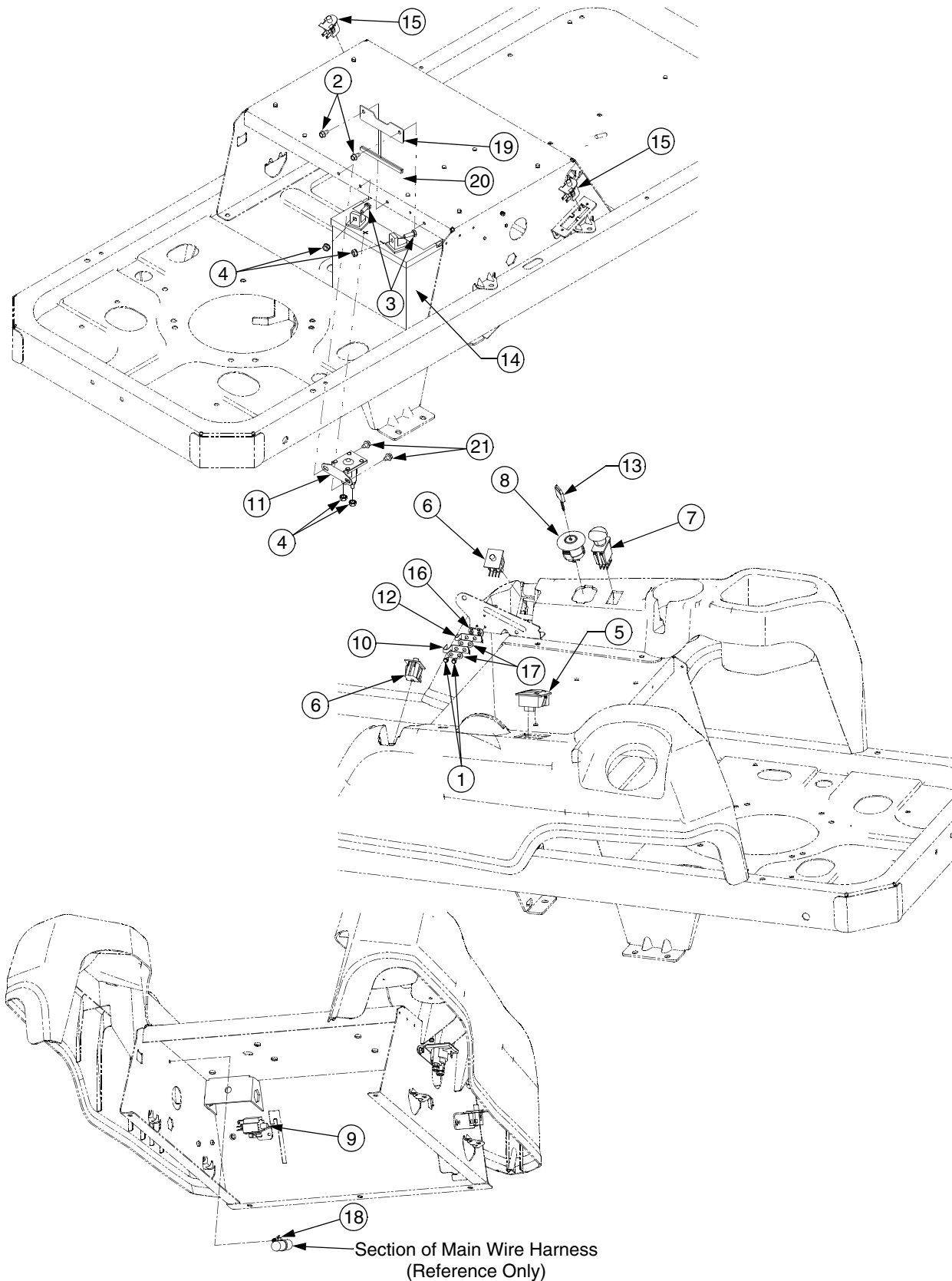
REF. NO.	PART NUMBER	DESCRIPTION	QTY.
1	603-04370	Bracket, Castor Wheel	2
2	603-04385	Axle, Front Pivot	1
3	634-04323A	Wheel Assembly, 13 x 5-6	2
	734-04255	Tire, 13 x 5-6	2
4	710-04186	Screw, Hex Lock,	2
		1/2-13 x 1.25 GR5	
5	710-04652	Screw, Hex Cap, 1/2-20 x 7.25 Gr5	2
6	710-0514	Screw, Hex Cap, 3/8-16 x 1.0 GR5	2
7	711-04228	Shaft, Axle	1
8	712-3058	Nut, Hex Insert Lock, 1/2-13 GRB	2
9	731-05500	Bearing, Flange, 1.0 x 1.246	6
10	736-0169	Washer, Lock, 3/8	2
11	736-0227	Washer, Flat, .39 x 1.5 x .134	2
12	736-0250	Washer, Flat, 1.0 x 1.75 x .10	2
13	737-3000	Fitting, Lube, 3/16 Drive	3
14	750-04775A	Spacer, .51 x .75 x 5.825	2
15	750-04792	Hub, .76 x 1.23 x .92	4

SEAT ADJUSTMENT: MODELS ZT4200 AND ZT5000



REF. NO.	PART NUMBER	DESCRIPTION	QTY.	REF. NO.	PART NUMBER	DESCRIPTION	QTY.
1	710-1268	Screw, Hx. Wash. Hd. Tapp #10-16 x .375	2	10	736-3019	Washer, Flat, .531 x 1.062 x .134 HT	2
2	712-04063	Nut, Hx Insert Flange Lck, 5/16-18 GrF	2	11	738-0137A	Screw, Shoulder, .34 x .285:1/4-20	1
3	712-04064	Nut, Hx Insert Flange Lck, 1/4-20 GrF	1	12	738-0296	Screw, Shoulder, .437 x .268:5/16-18	2
4	720-0309A	Grip, Seat Adjustment	1	13	738-0966A	Screw, Shoulder, .5 x .925:3/8-16 ...	4
5	726-0201	Nut, Speed, .3125	2	14	783-0209D	Bracket, Seat Lift	1
6	731-04074	Spacer, Seat Adjustment	4	15	783-0611	Stop, Seat Adjustment	1
7	732-0499	Spring, Compression, .41 x 1.5	1	16	783-0738D	Bracket, Seat Pivot	1
8	732-1184	Spring, Extension, .84 Dia. x 4.6	1	17	783-0739A	Lever, Seat Adjustment	1
9	736-0204	Washer, Flat, .344 x .62 x .033	1	18	783-0753	Index Bracket, Seat Adjustment	1
				19	736-0242	Washer, Belleville, .34 x .872 x .06	2

ELECTRICAL: MODELS ZT4200 AND ZT5000

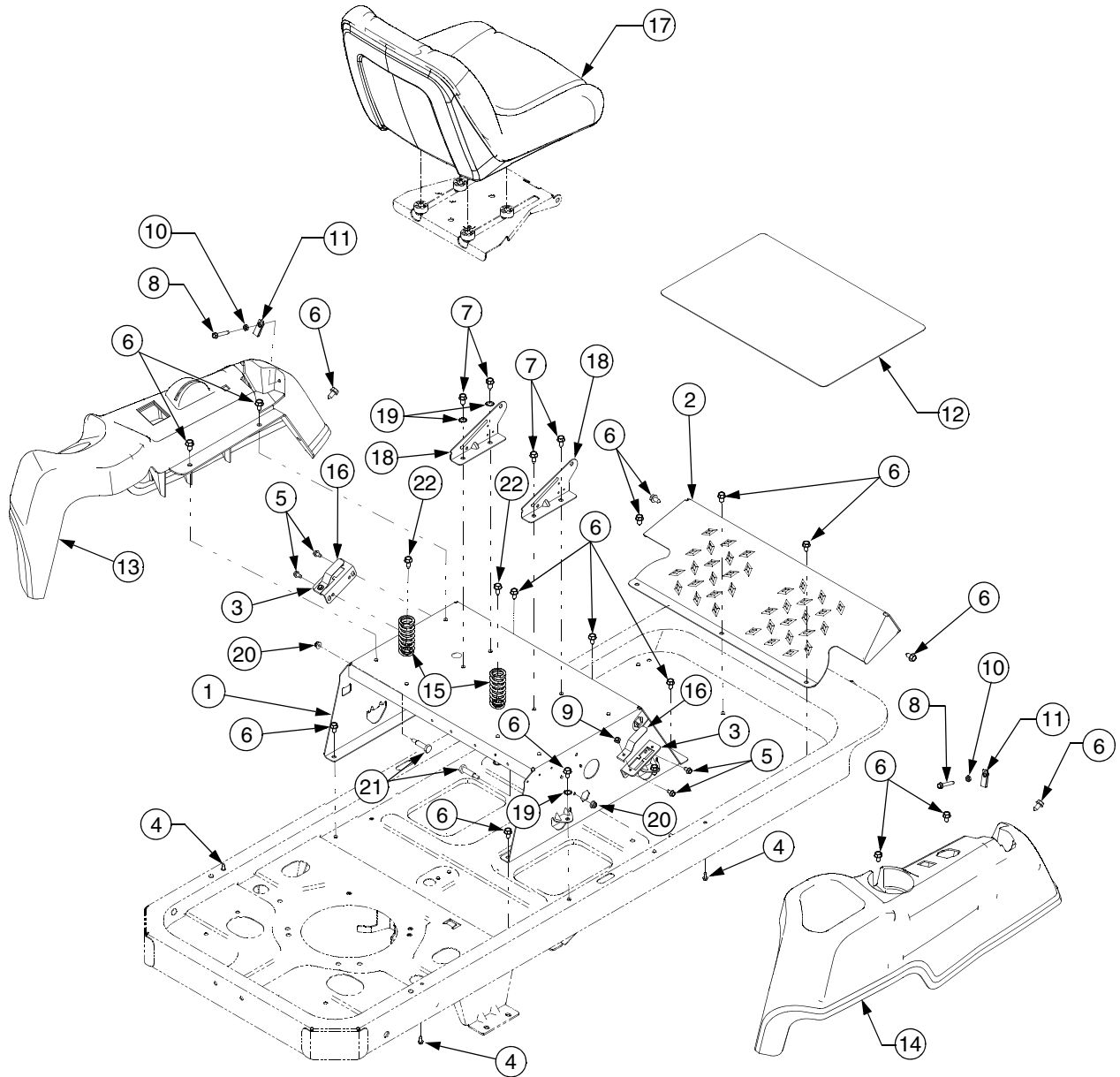


ELECTRICAL: MODELS ZT4200 AND ZT5000

REF. NO.	PART NUMBER	DESCRIPTION	QTY.
1	710-0227	Screw, Hex Wash. Hd. Tapp #8-18 x .5	2
2	710-0599	Screw, Hex Wash. Hd. Tapp, 1/4-20 x .5	2
3	710-3015	Screw, Hex Cap, 1/4-20 x .75 GR5 ..	2
4	712-0271	Nut, Hex Sems, 1/4-20	4
5	725-04022B	Meter, Hour	1
6	725-04165	Switch, Dbl. Pole - Neutral	2
7	725-04174	Switch, PTO	1
8	725-04228	Switch, Ignition	1
9	725-04232	Switch, 3-Pole, (NC-NO-NO) - Brake	1
10	725-1303	Switch, Outer Seat Spring	1
11	725-1426A	Solenoid	1
12	725-1439	Switch, Inner Seat Spring	1
13	925-1745	Key	1
14	725-1707D	Battery, 235 CCA	1
15	725-3166	Switch, Snap Mount (N.C.) - Reverse	2
16	726-0278	Plate, Insulator Boss	1
17	726-0279	Plate, Insulator	2
18	726-0470	Tie, Cable	2
19	703-05894	Bracket, Battery Holddown	1
20	731-0511-5	Strip, Trim	4.5in
21	710-0653	Screw, Hex Wash. Hd. Tapp, 1/4-20 x .375	2
†	725-04434	Harness Assembly, Wire	1

† NOT SHOWN

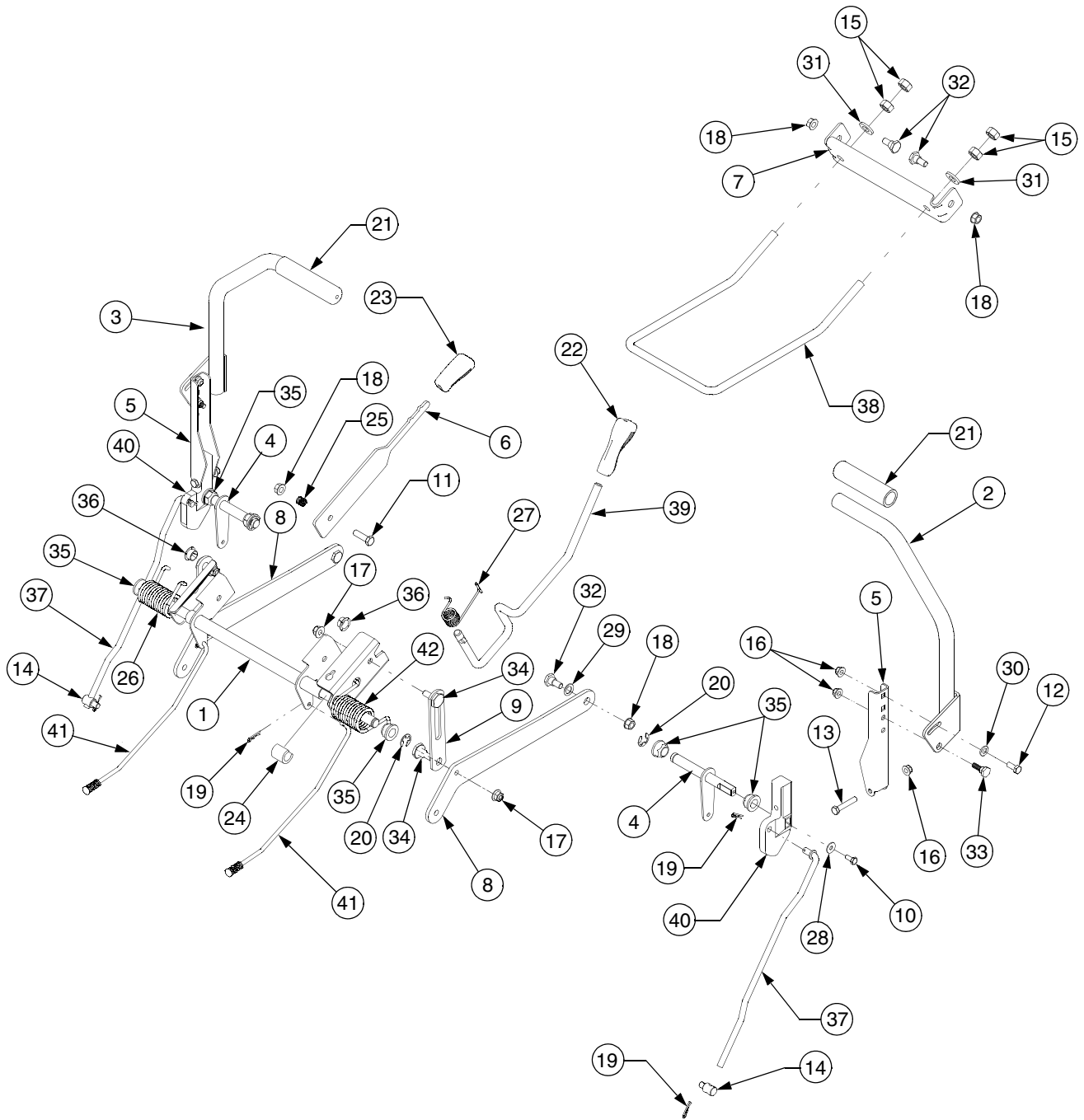
OPERATOR'S PLATFORM: MODELS ZT4200 AND ZT5000



OPERATOR'S PLATFORM: MODELS ZT4200 AND ZT5000

REF. NO.	PART NUMBER	DESCRIPTION	QTY.
1	603-04326B	Frame, Seat Box	1
	777I22769	Graphic, Park Brake	1
	777S32354	Graphic, Warning	1
	777I22770	Graphic, Deck Height	1
2	703-05373B	Bracket, Foot Rest	1
	777D10796	Graphic, Troy-Bilt	1
3	703-05467	Bracket, Switch Mounting	2
4	710-04261	Screw, Hex Wash. Hd Tapp	4
		#12-16 x .50	
5	710-0599	Screw, Hex Wash. Hd. Tapp.	4
		1/4-20 x .5	
6	710-0604A	Screw, Hex Wash. Hd. Tapp	20
		5/16-18 x .625	
7	710-0726	Screw, Hex Wash. Hd. Tapp	4
		5/16-12 x .75	
8	710-0778	Screw, Hex Wash. Hd. Tapp.	2
		1/4-20 x 1.5	
9	710-1268	Screw, Hex Wash. Hd Tapp	2
		#10-16 x .375	
10	712-0298	Nut, Hex Jam, 1/4-20 GR2	2
11	712-04092	Nut, U Type Speed, 1/4-20	2
12	723-04020	Pad, Foot	1
13	731-04662C	Console, LH	1
	777I22752	Graphic, Instruction - ZT 4200	1
	777I22751	Graphic, Instruction - ZT 5000	1
	777D10793	Graphic, White Outdoor ZT 4200 ...	1
	777D10795	Graphic, White Outdoor ZT 5000 ...	1
	777I22305	Graphic, Throttle Control ZT 4200 ..	1
	777I22309	Graphic, Throttle Control ZT5000 ..	1
14	731-04663B	Console, RH	1
	777I22754	Graphic, Instruction	1
	777D10792	Graphic, White Outdoor ZT 4200....	1
	777D10794	Graphic, White Outdoor ZT 5000 ...	1
15	732-04035	Spring, Compression, 1.28 x 3.125	2
16	732-04200	Spring, Switch Actuator	2
17	757-04041	Seat	1
18	783-1489C	Bracket, Seat Pivot	2
19	736-0148	Washer, External Tooth, 3/8	3
20	712-04064	Nut, Hex Insert Lock, 1/4-20 - Model ZT 5000 ONLY	2
21	738-0572	Screw, Shoulder, .374 x 1.16:1/4-20 - Model ZT 5000 ONLY	2
22	710-1260A	Screw, Hex Wash. Hd. Tapp	2
		5/16-18 x .75	

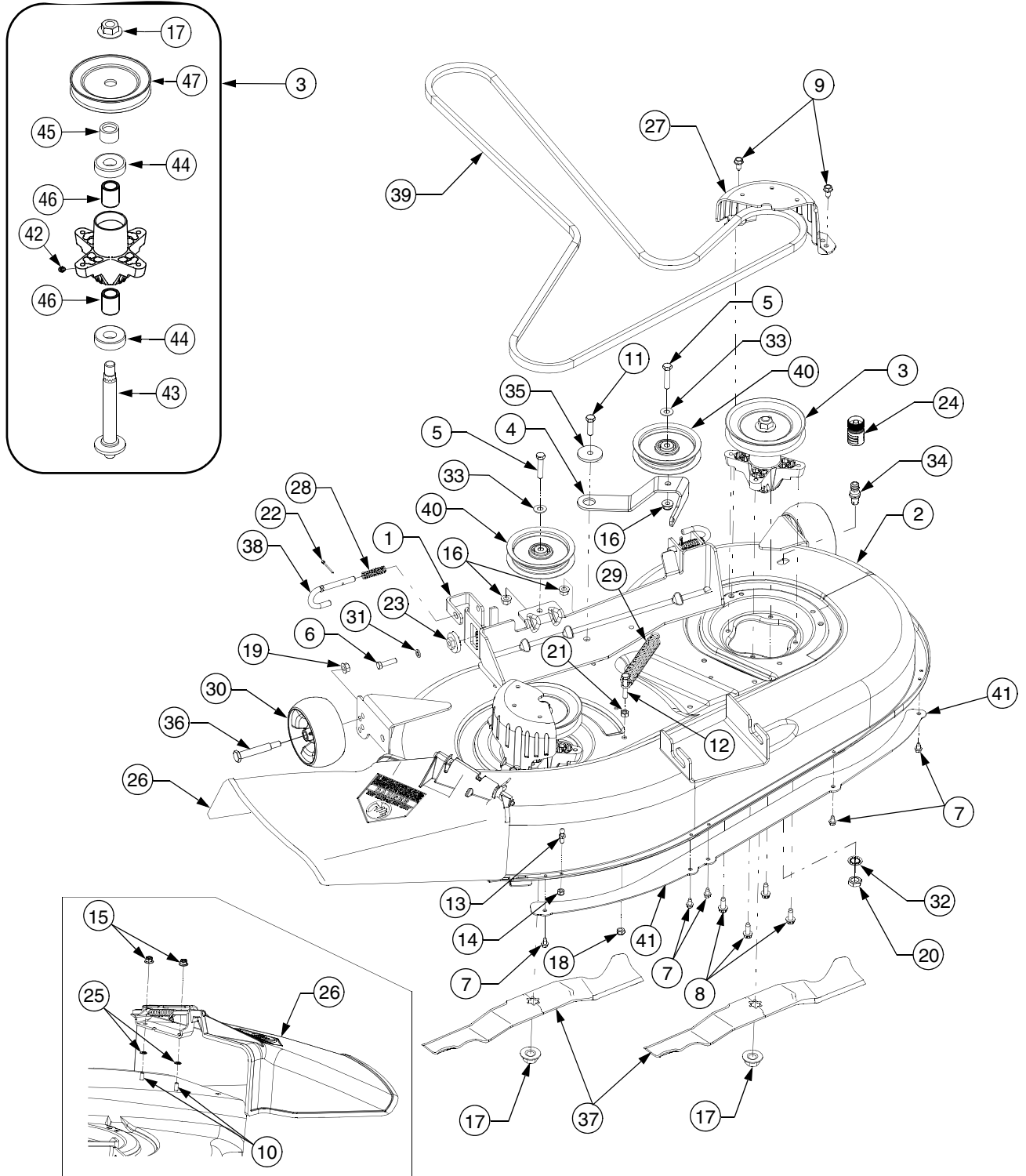
OPERATOR'S CONTROLS: MODELS ZT4200 AND ZT5000



OPERATOR'S CONTROLS: MODELS ZT4200 AND ZT5000

REF. NO.	PART NUMBER	DESCRIPTION	QTY.
1	603-04160B	Shaft Assembly, Deck Lift	1
2	603-04322	Lever, Lapbar, RH	1
3	603-04324	Lever, Lapbar, LH	1
4	647-04099	Shaft, Control	2
5	703-05387A	Bracket, Lapbar Pivot	2
6	703-05396	Handle, Brake	1
7	703-05414A	Bracket, Front Deck Hanger	1
8	703-05793A	Arm, Deck Lift	2
9	703-05907	Plate, Lift Link	2
10	710-0433	Screw, Hex Lock, 1/4-20 x .62 GR5	2
11	710-3005	Screw, Hex Cap, 3/8-16 x 1.25 GR5 ...	1
12	710-3008	Screw, Hex Cap, 5/16-18 x .75 GR5 ...	2
13	710-3180	Screw, Hex Cap, 5/16-18 x 1.75 GR5	2
14	711-0832	Ferrule, 3/8-24 x .375	2
15	712-0206	Nut, Hex, 1/2-13 GR5	4
16	712-04063	Nut, Hx Flange Insert Lck, 5/16-18 GrF	6
17	712-04065	Nut, Hx Flange Insert Lck, 3/8-16GrF	4
18	712-0431	Nut, Hex Flange Lock, 3/8-16 GRF	5
19	714-0104	Pin, Internal Cotter	6
20	716-0106	E-Ring , .625 Dia. Shaft	4
21	720-0274	Grip, Hand	2
22	720-0311	Grip, Handle	1
23	731-04735	Grip, Handle	1
24	731-05732	Spacer, .62 x 1.0	1
25	732-0334	Spring, Compression	1
26	732-04420	Spring, Torsion LH - Model ZT 5000 ONLY	1
27	732-04422	Spring, Torsion	1
28	736-0270	Washer, Bell, .265 x .75 x .062	2
29	736-0272	Washer, Flat, .51 x 1.0 x .06	2
30	736-0275	Washer, Flat, .344 x .688 x .065	2
31	736-3019	Washer, Flat, .531 x 1.062 x .134 HT ..	2
32	738-0143	Screw, Shoulder, .498 x .340:3/8-16	4
33	738-0296	Screw, Shoulder, .437 x .268:5/16-18	2
34	738-0507B	Screw, Shoulder, .5 x .434:3/8-16	4
35	741-0225	Bearing, Hex Flange	6
36	741-3074	Bearing, Flange, .626 x .938 x .344	2
37	747-04225A	Rod, Lapbar Control	2
38	747-04401A	Rod, Deck Front Hanger	1
39	747-04637	Rod, Deck Lift Handle	1
40	748-04052	Hub, Control	2
41	947-04065	Rod, Brake	2
42	732-04421	Spring, Torsion RH - Model ZT 5000 ONLY	1

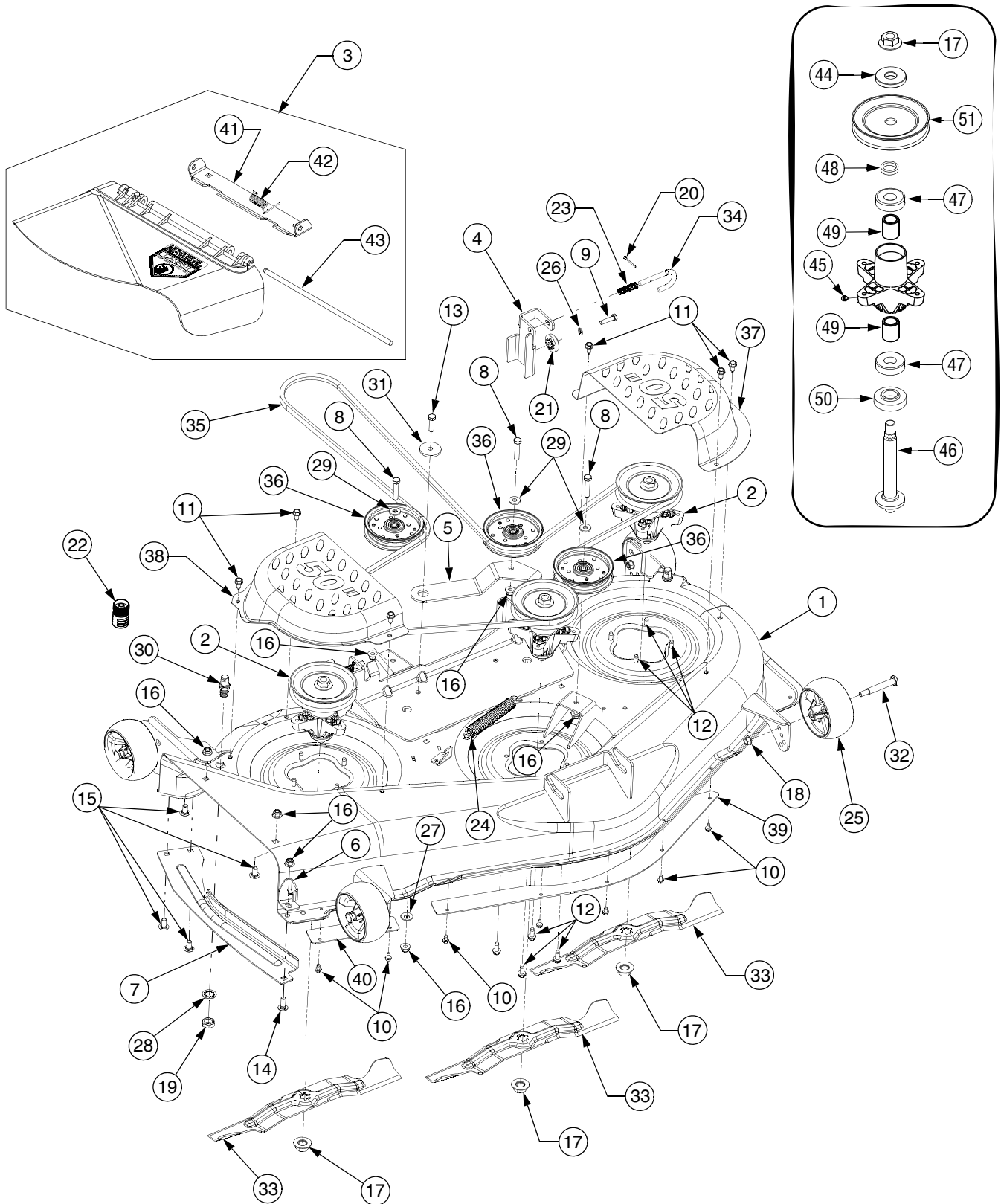
MOWER DECK: MODEL ZT4200 ONLY



MOWER DECK: MODEL ZT4200 ONLY

REF. NO.	PART NUMBER	DESCRIPTION	QTY.
1	603-04156	Bracket, Deck Lift	1
2	603-04335C	Housing, Deck	1
	777S32599	Graphic, Danger	1
	777S30503	Graphic, Danger	1
	777I22281	Graphic, Instruction	1
	777D09788	Graphic, Deck Wash	1
	777D10798	Graphic, 42" Wide Cut	1
3	618-0659	Spindle Assembly	1
4	703-05824A	Arm, Idler	1
5	710-0347	Screw, Hex Cap, 3/8-16 x 1.75 GR5	2
6	710-0528	Screw, Hex Cap, 5/16-18 x 1.25 GR5	1
7	710-0599	Screw, Hex Wash. Hd. Tapp	5
		1/4-20 x .5	
8	710-1260A	Screw, Hex Wash. Hd. Tapp	8
		5/16-18 x .875	
9	710-0726	Screw, Hex Wash. Hd. Tapp	4
		5/16-12 x .75	
10	710-0751	Screw, Hex Cap, 1/4-20 x .62 GR5 ..	2
11	710-3005	Screw, Hex Cap, 3/8-16 x 1.25 GR5	1
12	710-3180	Screw, Hex Cap, 5/16-18 x 1.75 GR5	1
13	711-04069	Pin, Grass Catcher, 1/4-20	1
14	712-0324	Nut, Hex Insert Lock, 1/4-20 GR8	1
15	712-04064	Nut, Hx Insert Flange Lck, 1/4-20 GR5	2
16	712-04065	Nut, Hx Insert Flange Lck, 3/8-16 GrF	3
17	712-0417A	Nut, Hex Flange, 5/8-18	4
18	712-0429	Nut, Hex Insert Lock, 5/16-18 GR5 ..	1
19	712-0431	Nut, Hex Flange Lock, 3/8-16 GrF	2
20	712-0641	Nut, Hex, M16-1.5	1
21	712-3010	Nut, Hex, 5/16-18 GR5	1
22	714-0470	Pin, Cotter, 1/8 x 1.25	2
23	717-04074	Gear, Deck Adjustment	1
24	721-04041	Adapter, Water Nozzle	1
25	726-0233	Nut, Push, .25 x .5	2
26	731-1032B	Chute Assembly, Discharge	1
	777S30284	Graphic, Danger	1
27	731-2231B	Cover, Belt	2
28	732-0306	Spring, Compression	2
29	732-0459	Spring, Extension, .94 Dia. x 6.74	1
30	734-04155	Wheel, Deck Ball, 5.0	2
31	736-0119	Washer, Lock, 5/16	1
32	736-0225	Washer, Internal Tooth Lock, 5/8	1
33	736-3072	Washer, Flat, .38 x .93 x .11 HT	2
34	737-04003C	Nozzle, Deck Water	1
35	738-04162A	Spacer, Shoulder, .884 x .19	1
36	738-3056	Screw, Shoulder, .5 x 2.5:3/8-16	2
37	942-0616A	Blade, 3 in 1, 21.23	2
38	747-1116	Rod, Deck Hanger	2
39	754-04137	Belt, V, Type A Sec x 114.1	1
40	756-04129	Pulley, Idler, 4.25 Dia.	2
41	783-1146A	Skirt, Deck	1
42	737-3000	Fitting, Lube	2
43	738-01010A	Shaft, Spindle, 5.75	1
44	741-0919	Bearing, Ball	4
45	748-0433	Spacer, .820 x 1.15 x .73	1
46	750-1000	Spacer, .8 x 1.10 x 1.322	4
47	756-1227	Pulley, Deck, 6.3 Dia	2

MOWER DECK: MODEL ZT5000 ONLY



MOWER DECK: MODEL ZT5000 ONLY

REF. NO.	PART NUMBER	DESCRIPTION	QTY.
1	603-04328	Housing, Deck	1
	777S32598	Graphic, Danger	1
	777S30503	Graphic, Danger	1
	777I22282	Graphic, Instruction	1
	777D09788	Graphic, Deck Wash	1
	777D10800	Graphic, 50" Wide Cut	1
2	618-04126A	Spindle Assembly	3
3	631-04070A	Chute Assembly, Discharge	1
	777S30284	Graphic, Danger	1
4	683-0254	Bracket, Deck Hanger	1
5	703-05825A	Arm, Idler	1
6	703-3279	Bracket, Stop	1
7	703-3511A	Guard, Finger	1
8	710-0347	Screw, Hex Cap, 3/8-16 x 1.75 GR5	3
9	710-0528	Screw, Hex Cap, 5/16-18 x 1.25 GR5	1
10	710-0599	Screw, Hex Wash. Hd. Tapp, 1/4-20 x .5	7
11	710-0726	Screw, Hex Wash. Hd. Tapp, 5/16-12 x .75	6
12	710-1260A	Screw, Hex Wash. Hd. Tapp, 5/16-18 x .75	12
13	710-3005	Screw, Hex Cap, 3/8-16 x 1.25 GR5	1
14	710-3168	Screw, Carriage, 3/8-16 x 1.0	1
15	710-3178	Screw, Carriage, 3/8-16 x .75	4
16	712-04065	Nut, Hx Insert Flange Lck, 3/6-16 GrF	9
17	712-0417A	Nut, Hex Flange, 5/8-18	6
18	712-0431	Nut, Hex Flange Lock, 3/8-16 GRF	4
19	712-0641	Nut, Hex, M16-1.5	2
20	714-0470	Pin, Cotter, 1/8 x 1.25	2
21	717-04074	Gear, Deck Adjustment	1
22	721-04041	Adapter, Water Nozzle	1
23	732-0306A	Spring, Compression	2
24	732-0459	Spring, Extension, .94 Dia. x 6.74	1
25	734-04155	Wheel, Deck Ball, 5.0	4
26	736-0119	Washer, Lock, 5/16	1
27	736-0407	Washer, Bell, .45 x 1.0 x .062	1
28	736-0225	Washer, Internal Tooth Lock, 5/8	2
29	736-3072	Washer, Flat, .38 x .93 x .110 HT	3
30	737-04003C	Nozzle, Deck Wash	2
31	738-04162A	Spacer, Shoulder, .884 x .190	1
32	738-3056	Screw, Shoulder, .5 x 2.5:3/8-16	4
33	742-04053B	Blade, 2 in 1, 17.9 Lg	3
34	747-1116	Rod, Deck Hanger	2
35	754-04044A	Belt V, Type A Sec x 134	1
36	756-04129	Pulley, Idler, 4.25 Dia	3
37	783-04399	Cover, Belt LH	1
38	783-04400	Cover, Belt RH	1
39	783-04414	Skirt, Center	1
40	783-04415	Skirt, RH	1
41	783-05030	Bracket, Chute Mounting	1
42	732-04372	Spring, Torsion	1
43	711-04565	Pin, Hinge	1
44	736-0315	Washer, Flat, .76 x 1.50 x .12	3
45	737-3000	Fitting, Lube	3
46	738-1010A	Shaft, Spindle, 5.75	3
47	741-0919	Bearing, Ball	6
48	748-0160A	Spacer, .79 x 1.25 x .175	3
49	750-1000	Spacer, .80 x 1.10 x 1.32	6
50	750-1349A	Spacer, .79 x 1.82 x .55	3
51	756-04216	Pulley, V Type, 5.39	3

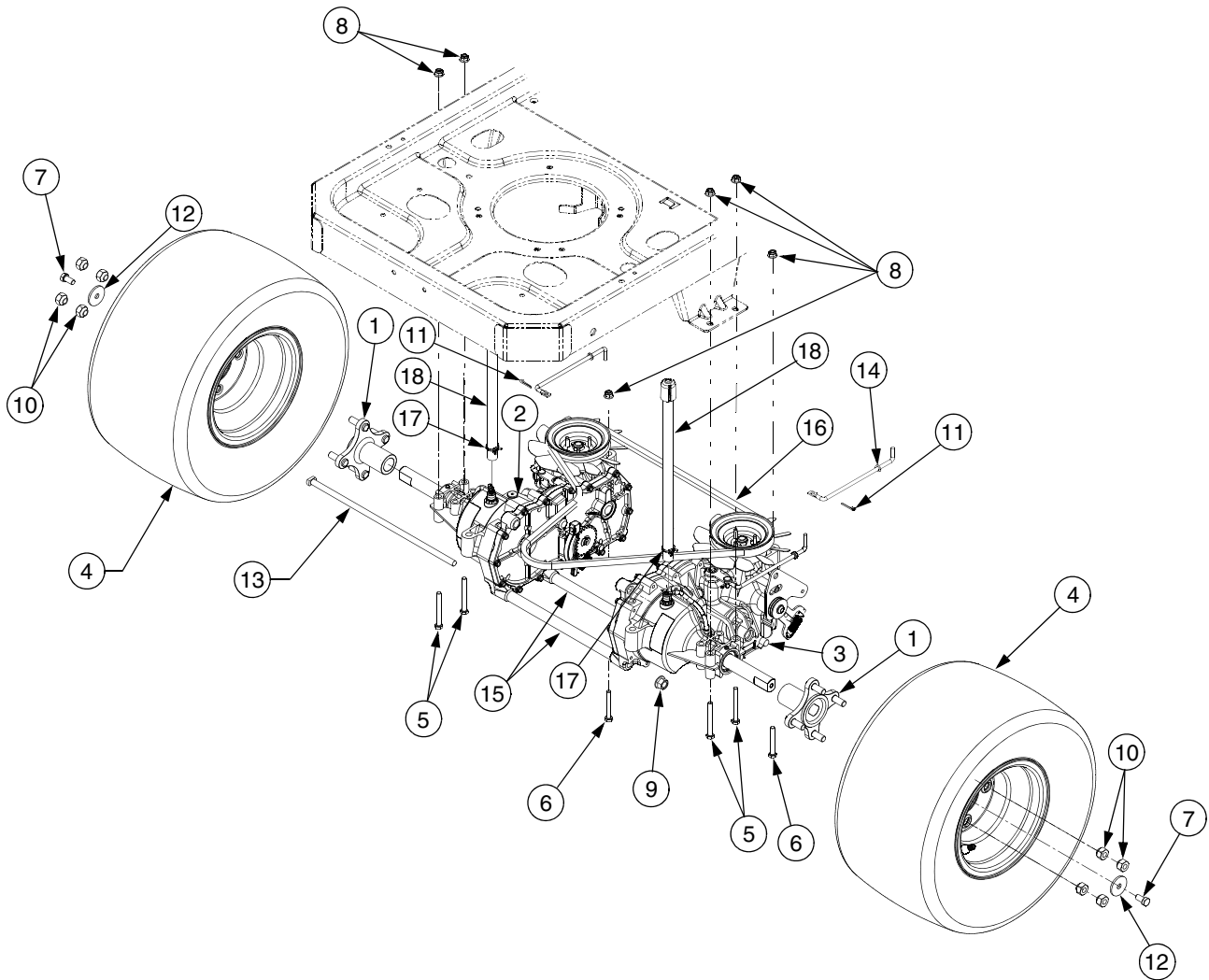
ENGINE CONNECTIONS: MODEL ZT4200 ONLY

REF. NO.	PART NUMBER	DESCRIPTION	QTY.
1	603-04176A	Tube, Exhaust	1
2	703-05441A	Bracket, Muffler Mounting	1
3	703-05870	Shield, Muffler Tube Heat	1
4	710-0227	Screw, Hex Wash. Hd. Tapp #8-18 x .5	3
5	710-04261	Screw, Hex Wash. Hd. Tapp #12-16 x .5	2
6	710-0599	Screw, Hex Wash. Hd. Tapp 1/4-20 x .5	4
7	710-0726	Screw, Hex Wash. Hd. Tapp 5/16-12 x .75	2
8	710-1314A	Screw, Socket Hd. 5/16-18 x .75	2
9	710-1315	Screw, Hex Wash. Hd. Tapp 3/8-16 x 1.25	4
10	710-3008	Screw, Hex Cap, 5/16-18 x .75 GR5	4
11	710-3157A	Screw, Hx Cap Lk., 7/16-20 x 3.25 GR5	1
12	710-3217	Screw, Truss Hd. Mach. #8-32 x .375	1
13	712-0142	Nut, Hex, #8-32	1
14	712-0271	Nut, Hex Sems, 1/4-20	1
15	712-04063	Nut, Hx Insert Flange Lck, 5/16-18 GrF	4
16	717-04376	Clutch Assembly, Electric PTO	1
17	721-0208	Gasket, Exhaust (B&S- 272293)	1
18	726-0205	Clamp, Hose	2
19	731-04914	Knob, Throttle Control	1
20	736-0148	Washer, Ext. Tooth Lock, 3/8	2
21	736-0171	Washer, Lock, 7/16	1
22	736-3008	Washer, Flat, .344 x .75 x .12	1
23	737-0125	Fitting, Elbow	1
24	746-04161	Cable, Throttle, 39.0 Lg	1
25	747-04228A	Wire, Tank Mounting	1
26	751-0564B	Deflector, Muffler	1
27	751-0617B	Muffler	1
28	751-10057C	Tank, Fuel, 3.0 Gal.	1
29	751-10349	Hose, Fuel Line	6.5in
30	751-3124B	Cap, Fuel	1
31	751-3140	Valve, Oil Drain - Before Mfg. Code C097	1
31a	751-10517	Valve, Oil Drain - Mfg. Code C097 and After	1
32	751-3141-14	Hose, Oil Drain Extension	12 in
33	751-3142	Cap, Oil Drain Valve - Before Mfg. Code C097	1
34	756-0978B	Pulley, Drive	1

ENGINE CONNECTIONS: MODEL ZT5000 ONLY

REF. NO.	PART NUMBER	DESCRIPTION	QTY.
1	603-04162	Tube, Exhaust RH	1
2	603-04163	Tube, Exhaust LH	1
3	703-05441A	Bracket, Muffler Mounting	1
4	710-0227	Screw, Hex Wash. Hd. Tapp #8-18 x .5	3
5	710-04248	Screw, Hex Cap, 7/16-20 x 4.0 GR5	1
6	710-04261	Screw, Hex Wash. Hd. Tapp #12-16 x .5	2
7	710-0599	Screw, Hex Wash. Hd. Tapp 1/4-20 x .5	4
8	710-0726	Screw, Hex Wash. Hd. Tapp 5/16-12 x .75	2
9	710-1314A	Screw, Socket Hd. 5/16-18 x .75	4
10	710-1315	Screw, Hex Wash. Hd. Tapp 3/8-16 x 1.25	4
11	710-3008	Screw, Hex Cap, 5/16-18 x .75 GR5	2
12	710-3217	Screw, Truss Hd. Mach. #8-32 x .375	1
13	712-0142	Nut, Hex, #8-32	1
14	712-0271	Nut, Hex Sems, 1/4-20	1
15	712-04063	Nut, Hx Insert Flng. Lck., 5/16-18 GR5	2
16	712-3005	Nut, Hex Jam, 3/8-16 GR2	1
17	717-04183	Clutch Assembly, Electric PTO	1
18	721-0460	Gasket, Exhaust	2
19	726-0197	Tie, Cable	2
20	726-0205	Clamp, Hose	2
21	731-04914	Knob, Throttle Control	1
22	736-0148	Washer, Ext. Tooth Lock, 3/8	2
23	736-0171	Washer, Lock, 7/16	1
24	736-0300	Washer, Flat, .406 x .875 x .059	1
25	736-04131	Washer, Flat, .438 x 1.75 x .25	1
26	746-04214	Cable, Choke, 61Lg	1
27	746-1086	Cable, Throttle, 39.0 Lg	1
28	747-04228A	Wire, Tank Mounting	1
29	751-0564B	Deflector, Muffler	1
30	751-0616B	Muffler	1
31	751-10057C	Tank, Fuel, 3.0 Gal.	1
32	751-10349	Hose, Fuel Line	10in
33	751-3124B	Cap, Fuel	1
34	751-3140	Valve, Oil Drain - Before Mfg. Code C097	1
34a	751-10517	Valve, Oil Drain - Mfg. Code C097 and After	1
35	751-3141-14	Hose, Oil Drain Extension	12 in
36	751-3142	Cap, Oil Drain Valve - Before Mfg. Code C097	1
37	756-0978B	Pulley, Drive	1

DRIVE: MODELS ZT4200 AND ZT5000



REF. NO.	PART NUMBER	DESCRIPTION	QTY.	REF. NO.	PART NUMBER	DESCRIPTION	QTY.
1	618-04317	Hub, Wheel	2	5	710-0176	Screw, Hex Cap, 5/16-18 x 2.75 GR5	4
	710-0852	Stud, Rib Neck, 7/16-14 x 1.6	8	6	710-0395	Screw, Hex Cap, 5/16-18 x 2.25 GR5	2
2	618-04431	Transmission Assembly, LH - Before Mfg. Date A267	1	7	710-3119	Screw, Hex Cap Lock, 3/8-16 x .75 GR5	2
	618-04431A	Transmission Assembly, LH - Mfg. Date A267 & After - Replaces 618-04431		8	712-04063	Nut, Hx Flange Insert Lck, 5/16-18 GrF	6
3	618-04432	Transmission Assembly, RH - Before Mfg. Date A267	1	9	712-0459	Nut, Hex Flange Lock, 7/16-20 GrB .	2
	618-04432A	Transmission Assembly, RH - Mfg. Date A267 & After - Replaces 618-04432		10	712-3050	Nut, Lug, 7/16-14	8
4	634-04294	ZT4200 Wheel Ass'y, 18 x 6.5 x 8....	2	11	714-0507	Pin, Cotter, 3/32 x .75	2
	734-04246	ZT4200 Tire, 18 x 6.5 x 8	2	12	736-0227	Washer, Flat, .39 x 1.5 .134	2
	603-04173	ZT4200 Rim Assembly	2	13	738-04192	Rod, .405 x 14.0	2
	734-0255	Valve Assembly	2	14	747-04217C	Rod, Bypass	2
	634-04171	ZT5000 Wheel Ass'y, 18 x 9.5 x 8	2	15	750-04561	Tube, .45 x .69 x 10.2	2
	734-1729	ZT5000 Tire, 18 x 9.5 x 8	2	16	754-04043	V-Belt, Type A Sec x 57.7	1
	603-04175	ZT5000 Rim Assembly	2	17	726-04059	Clamp, Hose - Used ONLY with 618-04431 & 618-04432 Trans.	2
	734-0255	Valve Assembly	2	18	751-10474	Hose, Breather - Used ONLY with 618-04431 & 618-04432 Trans.	2

Free Manuals Download Website

<http://myh66.com>

<http://usermanuals.us>

<http://www.somanuals.com>

<http://www.4manuals.cc>

<http://www.manual-lib.com>

<http://www.404manual.com>

<http://www.luxmanual.com>

<http://aubethermostatmanual.com>

Golf course search by state

<http://golfingnear.com>

Email search by domain

<http://emailbydomain.com>

Auto manuals search

<http://auto.somanuals.com>

TV manuals search

<http://tv.somanuals.com>