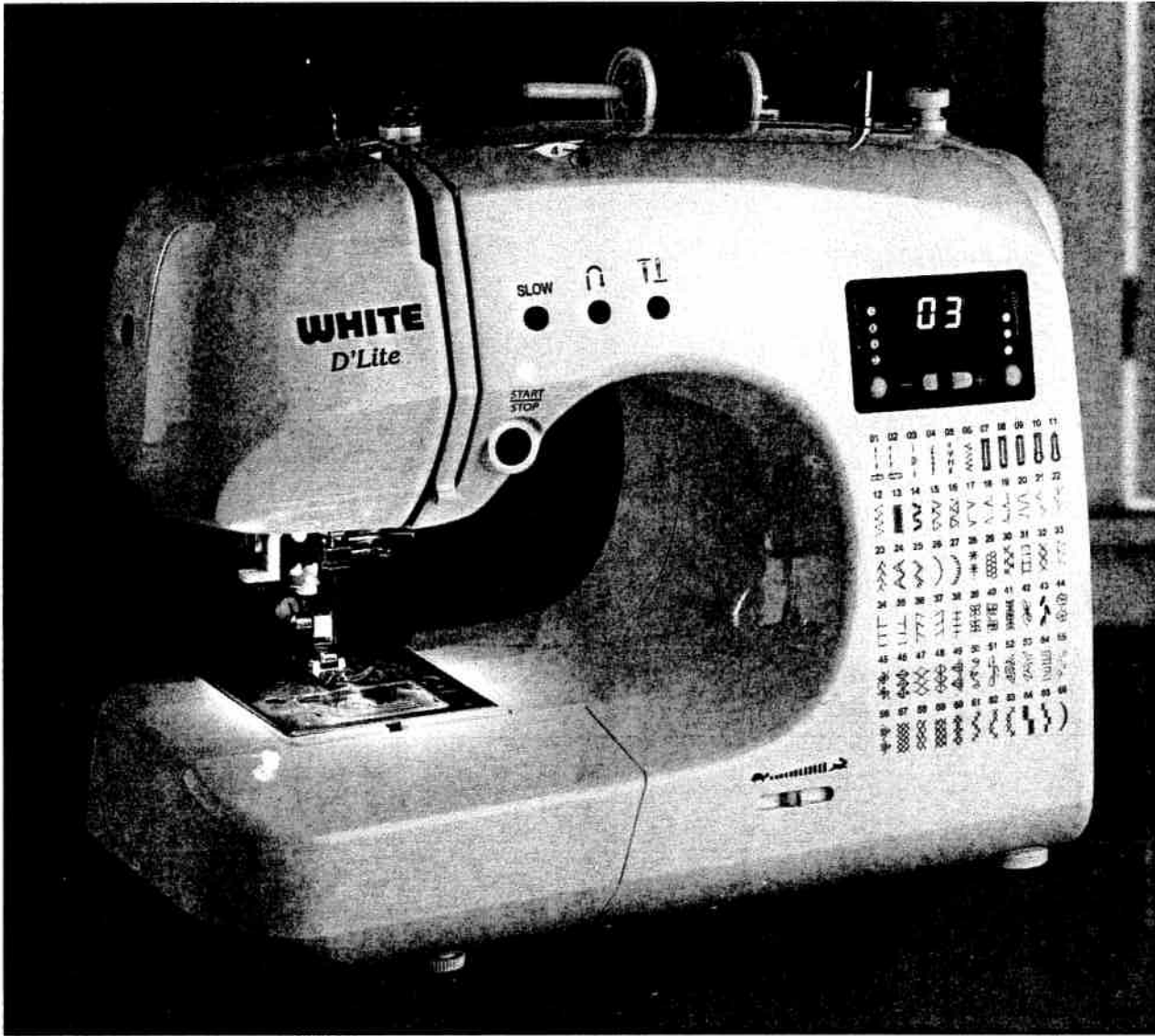


# WHITE



## WHITE MODEL W1750C D'LITE INSTRUCTION BOOK

Call Toll Free 800-331-3164  
[www.whitesewing.com](http://www.whitesewing.com)



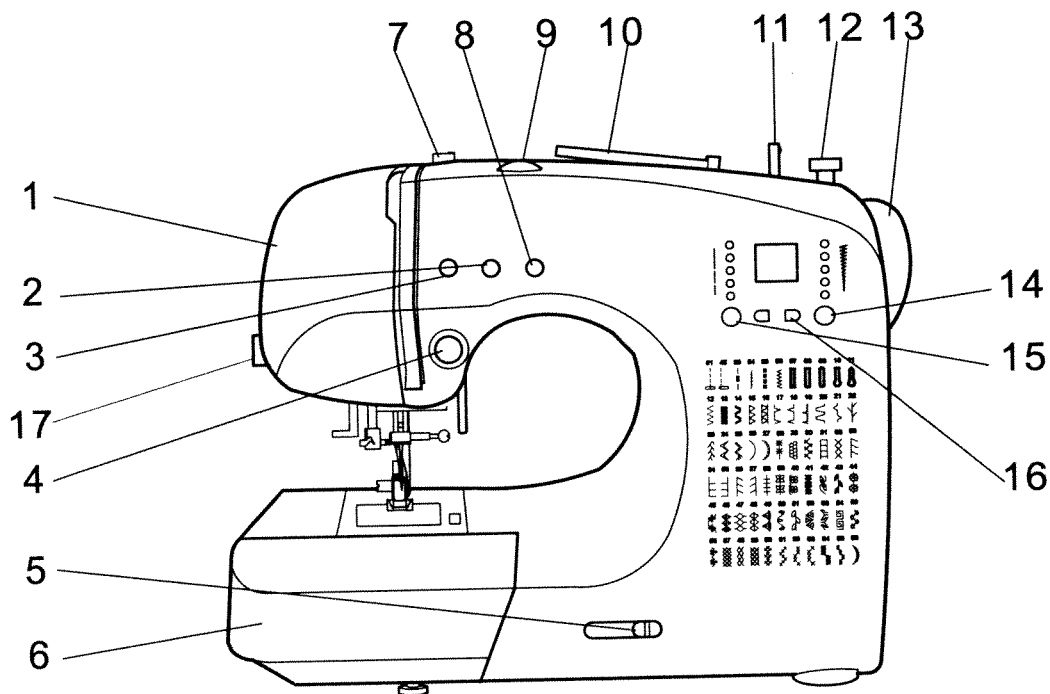
# CONTENTS

---

MAIN PARTS .....	2	BLIND HEM STITCHING .....	
ACCESSORIES .....	4	BUTTONHOLE SEWING .....	
OPENING THE ACCESSORY CASE .....	4	MULTI-STITCH ZIGZAG .....	
REMOVING THE EXTENSION TABLE .....	5	ELASTIC STITCH SEWING .....	
OPENING THE ACCESSORY CASE .....	5	FEED DOG CONTROL .....	
DUST COVER (OPTIONAL) .....	5	PATCH WORK .....	
CHANGING THE PRESSER FOOT .....	6	APPLIQUE .....	
REMOVING THE PRESSER FOOT HOLDER .....	6	INSERTING ZIPPERS .....	
INSERTING THE NEEDLE .....	6	SCALLOP STITCH .....	
CONNECTING THE MACHINE .....	7	CONTINUOUS DECORATIVE PATTERN .....	
CONTROL BUTTONS & DROP FEED LEVER .....	8	SEWING LIGHT WEIGHT FABRICS .....	
REVERSE STITCH BUTTON .....	8	CARING FOR YOUR MACHINE .....	
NEEDLE UP/DOWN BUTTON .....	8	CLEANING THE FEED DOGS AND HOOK AREA .....	
SETTING UP YOUR WHITE SEWING		HELPFUL HINTS .....	
MACHINE ELECTRICAL CONNECTION .....	9		
POLARIZED PLUG INFORMATION .....	9		
WHERE TO USE EACH STITCH .....	10		
BOBBIN WINDING .....	11		
WINDING THE BOBBIN .....	11		
INSERTING THE BOBBIN .....	12		
THREADING THE MACHINE .....	13		
THREADING THE UPPER THREAD .....	13		
THREADING THE TOP THREAD .....	13		
THREADING THE NEEDLE EYE .....	14		
DRAWING UP THE BOBBIN THREAD .....	14		
STARTING TO SEW .....	15		
START AND END OF SEAM .....	15		
REVERSE STITCHING .....	16		
TURNING CORNERS .....	16		
SEWING HEAVY FABRIC .....	16		
SEWING OVER OVERLAPPED AREAS .....	16		
ADJUSTING THE THREAD TENSIONS .....	17		
FABRIC, THREAD AND NEEDLE TABLE .....	18		
STRAIGHT STITCH SEWING .....	19		
ZIGZAG STITCH SEWING .....	20		
FREE ARM SEWING .....	20		
OVERCASTING-OVERLOCKING .....	21		
USING THE GENERAL PURPOSE FOOT .....	21		

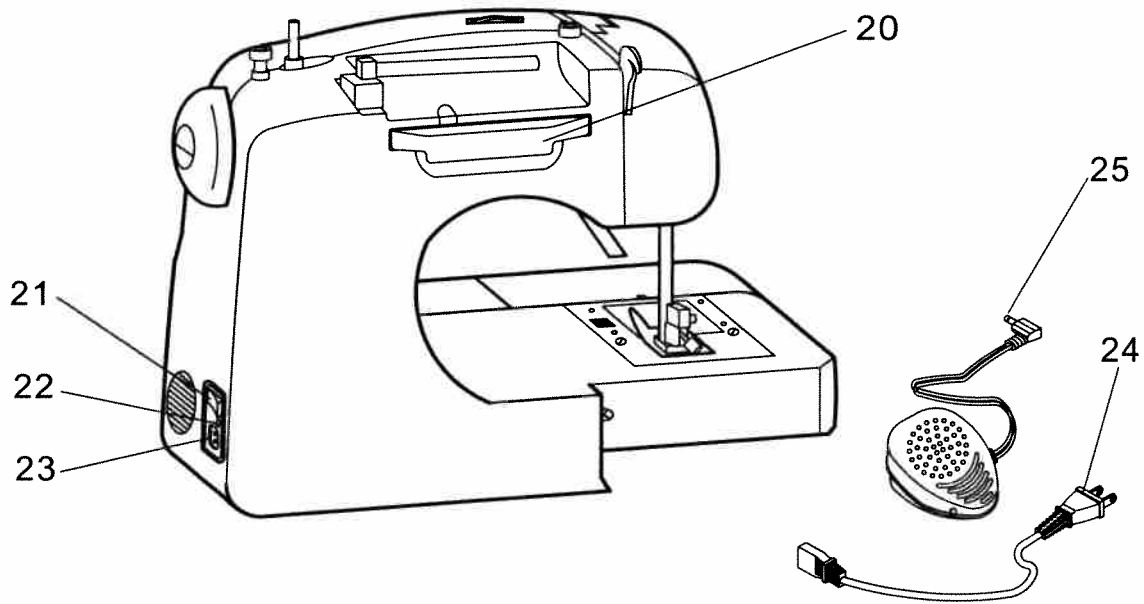
# MAIN PARTS

---

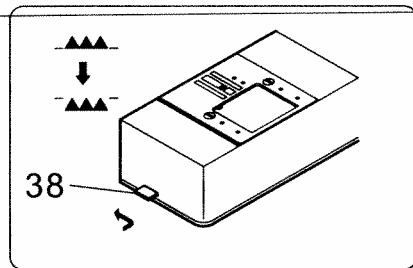
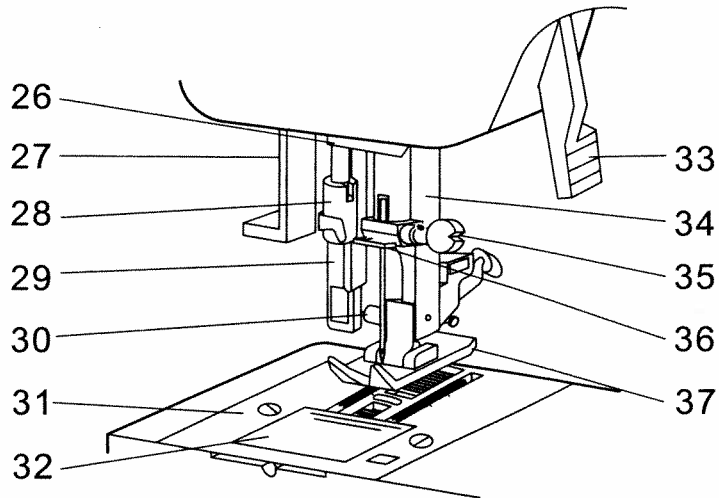


- 1.Face Plate
- 2.Reverse Stitch Button
- 3.Slow Button
- 4.Start/Stop Button
- 5.Speed Control Lever
- 6.Extension Table (Accessory Case)
- 7.Bobbin Winder Tension disc
- 8.Needle Up/Down Button

- 9.Thread Tension Regulator
- 10.Spool pin
- 11.Bobbin winder Shaft
- 12.Bobbin Winder Stop
- 13.Hand Wheel
- 14.Stitch Width Button
- 15.Stitch Length Button
- 16.Pattern Selector Button
- 17.Thread Cutter

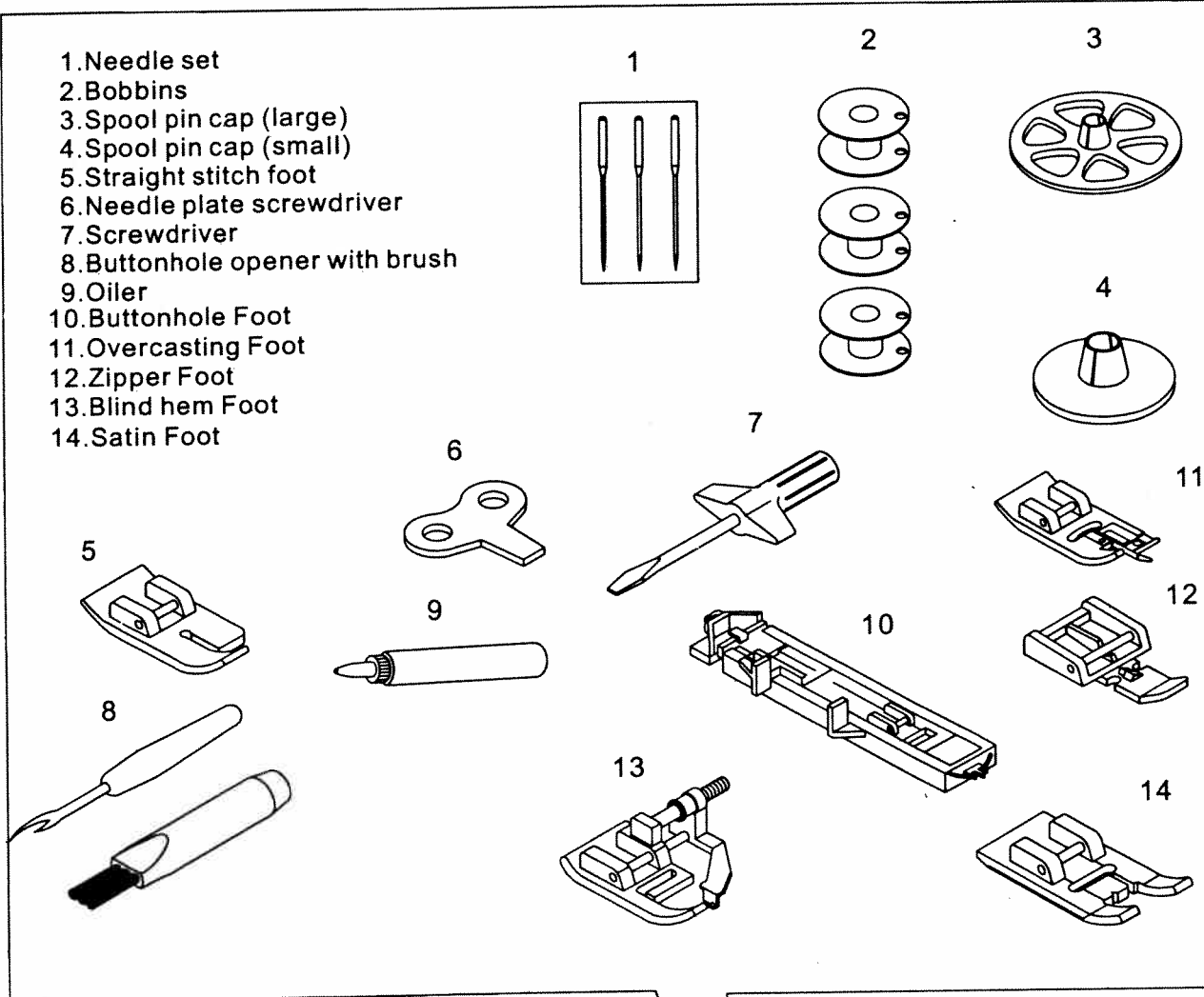


- 20. Carrying Handle
- 21. Power Switch
- 22. Controller Plug
- 23. Terminal Box
- 24. Power Line Cord
- 25. Foot Controller
- 26. Lower Thread Guide
- 27. Needle Threader Lever
- 28. Needle Threader
- 29. Buttonhole Lever
- 30. Presser Foot Thumb screw
- 31. Needle Plate
- 32. Slide Cover
- 33. Presser Foot Lifter
- 34. Thread Cutter
- 35. Needle Clamp Screw
- 36. Needle Thread Guide
- 37. Presser Foot
- 38. Drop Feed Lever



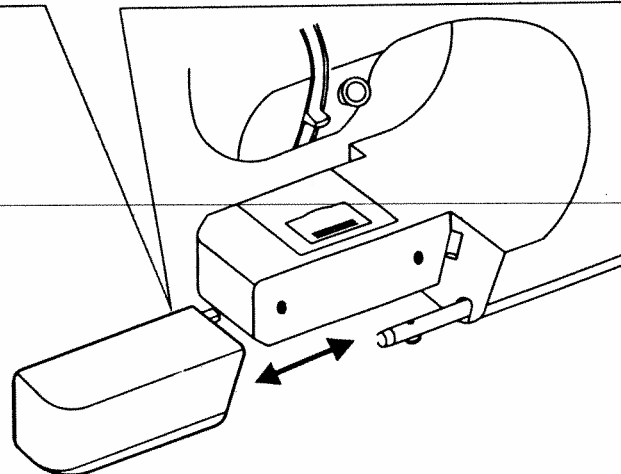
# ACCESSORIES

Some accessories are provided in the accessory case.



## OPENING THE ACCESSORY CASE

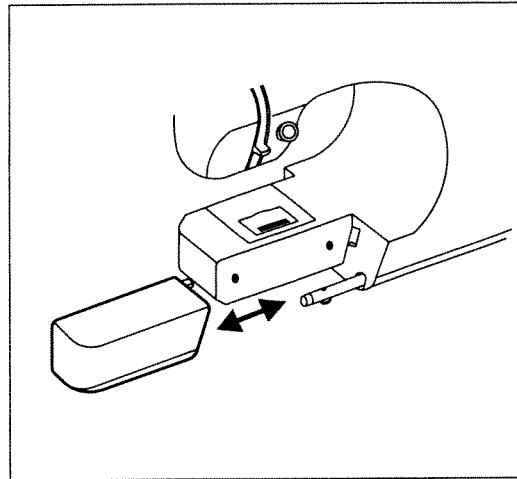
To open the accessory case, lift up on the top left side of the table and pull toward you.



---

**a. REMOVING THE EXTENSION TABLE**

Hook your finger to the bottom of extension table and slid to the left. To attach, insert to the right.



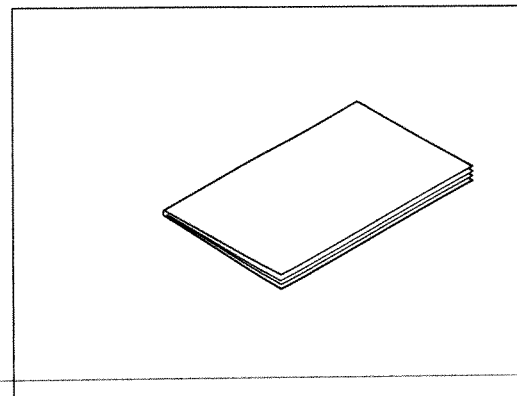
**b. OPENING THE ACCESSORY CASE**

Hook your finger to the left side of accessory case and pull toward you.

**DUST COVER**

Cover the machine with dust cover when it is not in use.

This manual will be stored on the holder provided on the side of the cover.



# CHANGING THE PRESSER FOOT

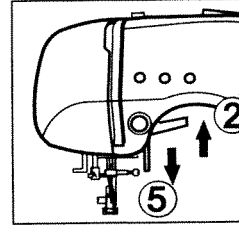
The presser foot must be changed according to the stitch you sew, or work you do.



## CAUTION: To prevent accidents.

Turn off the power switch before you change the presser foot.

1. Turn the hand wheel toward you until the needle is at its highest point.
2. Raise the presser foot lifter.
3. Remove the presser foot by pushing the presser foot release lever toward you.
4. Place desired foot with its pin directly under the slot in presser foot holder.
5. Lower the presser foot lifter and the presser foot will snap into place.

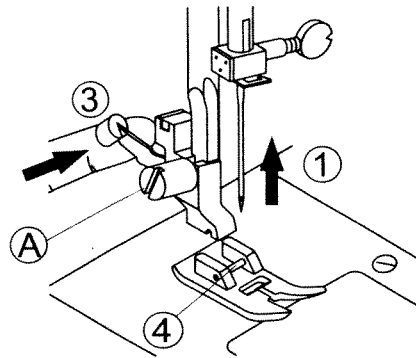


## REMOVING THE PRESSER FOOT HOLDER

You may need to remove the presser foot holder to use some presser feet.

To remove, raise the presser foot lifter and loosen the presser foot thumb screw (A).

To attach, tighten the screw after raising the presser foot holder.



# INSERTING THE NEEDLE

Select a needle of the right type and size for the fabric to be sewn.



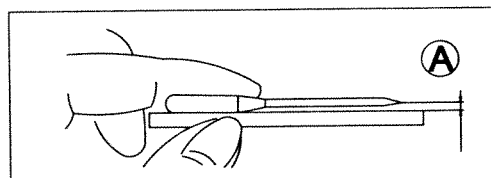
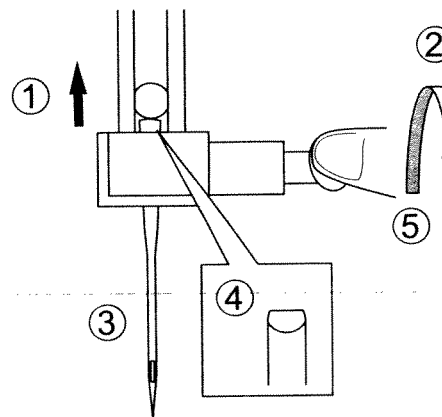
## CAUTION: To prevent accidents.

Turn off the power before removing the needle.

1. Turn the hand wheel toward you until the needle is at its highest point.
2. Loosen the needle clamp screw.
3. Remove the needle.
4. Insert new needle into needle clamp with the flat side to the back and push it up as far as it will go.
5. Tighten the needle clamp screw.

A. Do not use bent or blunt needles.

Place needle on a flat surface and check to see if bent.





# CONNECTING THE MACHINE

---

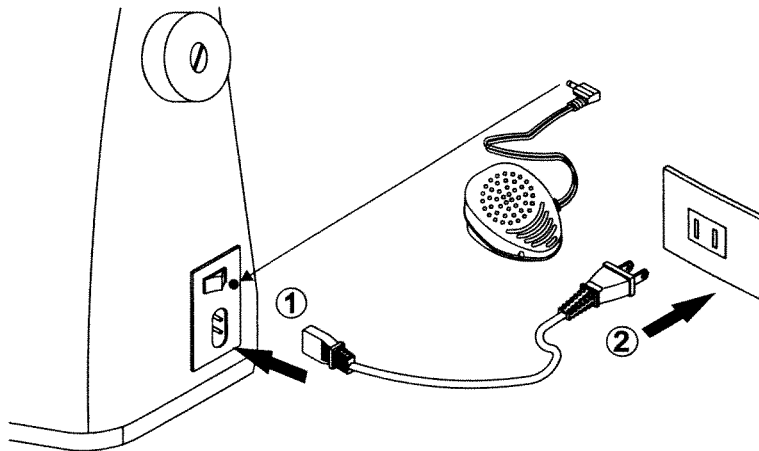
Place the machine on a stable table.

1. Connect the power line cord to the machine by inserting the 2-hole plug into the terminal box.
2. Connect the power line plug to the electric outlet.
3. Turn on the power switch.
4. A lamp will light up when switch is turned on.

## POLARIZED PLUG INFORMATION

This appliance has a polarized plug (one blade wider than the other). To reduce the risk of electric shock, this plug is intended to fit in a polarized outlet only one way. If the plug does not fit fully in the outlet, reverse the plug. If it still does not fit, contact a qualified electrician to install the proper outlet. Do not modify the plug in any way.

To disconnect, turn the power switch to the off position, then remove plug from outlet.



**DANGER:**  
-To reduce the risk of electric shock.

Never leave the machine unattended when plugged in. Always unplug this machine from the electric outlet immediately after using and before maintenance.



**WARNING:**  
-To reduce the risk of burns, fire, electric shock,  
or injury to persons.

Do not unplug by pulling on the cord. To unplug, grasp the plug, not the cord.

# CONTROL BUTTONS & DROP FEED LEVER

## A. START/STOP BUTTON

The machine will start running when start/stop button is pressed and will stop when pressed the second time.  
The machine will rotate slowly at start sewing.

## B. SPEED CONTROL BUTTON

The machine will sew faster when the lever is moved to the right, and sew slower when the lever is moved to the left.

## C. SLOW BUTTON

While sewing, by pressing this button, machine will sew in slow speed. Pressing this button again, the speed will return.

## D. REVERSE STITCH BUTTON

The machine will continue to sew in reverse at low speed while the button is pressed and stop when the button is released.

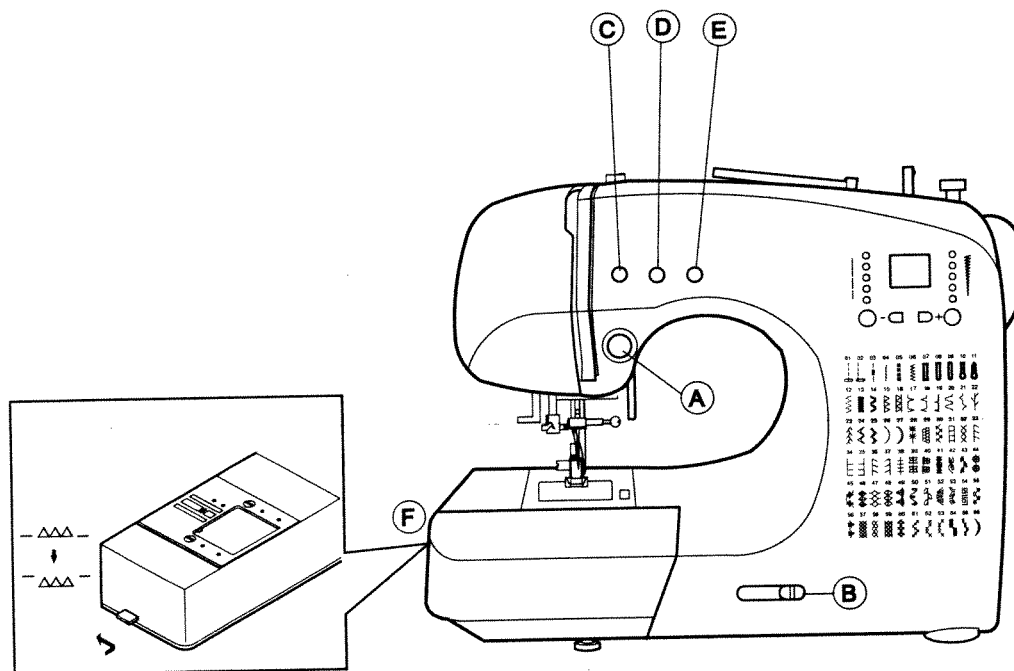
## E. NEEDLE UP/DOWN BUTTON

The needle can be raised or lowered by pressing this button. Pressing this button will perform one stitch sewing.

## F. DROP FEED LEVER

The fabric feed dogs project up through the needle plate, directly below the presser foot. The function is to move the fabric being sewn. The drop feed lever controls the fabric feed dogs.

For ordinary sewing, move the lever to the right. This raises feed dogs to their highest position. For most sewing, the lever should be in this position.  
For darning or free motion embroidery or whenever fabric is to be moved by hand, move the lever to the left to lower the fabric feed dogs.



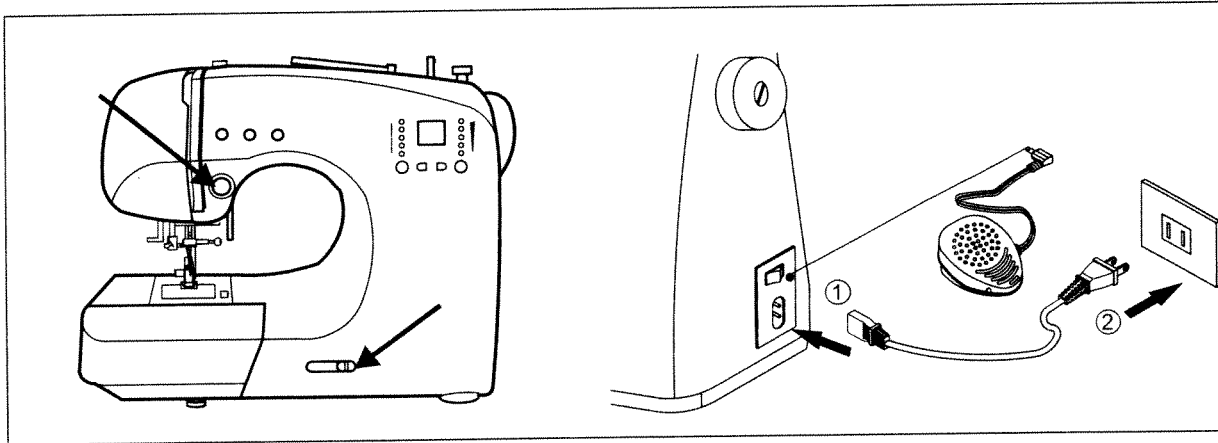
# FOOT CONTROLLER

Use of foot controller will permit control of start, stop and speed with your foot.



**CAUTION:** To prevent accidents.

1. Turn off the power switch.
2. Push foot controller plug into receptacle on machine.
3. Place foot controller at your feet and turn on power switch.  
Sew faster by increasing the pressure on the controller.  
To stop, remove your foot from the controller.



## CONTROL BUTTON FUNCTIONS

The control button functions described in previous page will change when the foot control is connected.

### A. START/STOP BUTTON

This button will be deactivated.

### B. SPEED CONTROL BUTTON

This button will limit the maximum speed.

### C. REVERSE STITCH BUTTON

The machine will continue to sew reverse at same speed while this button is pressed.  
When released, the machine will continue to sew forward.



## WARNING:

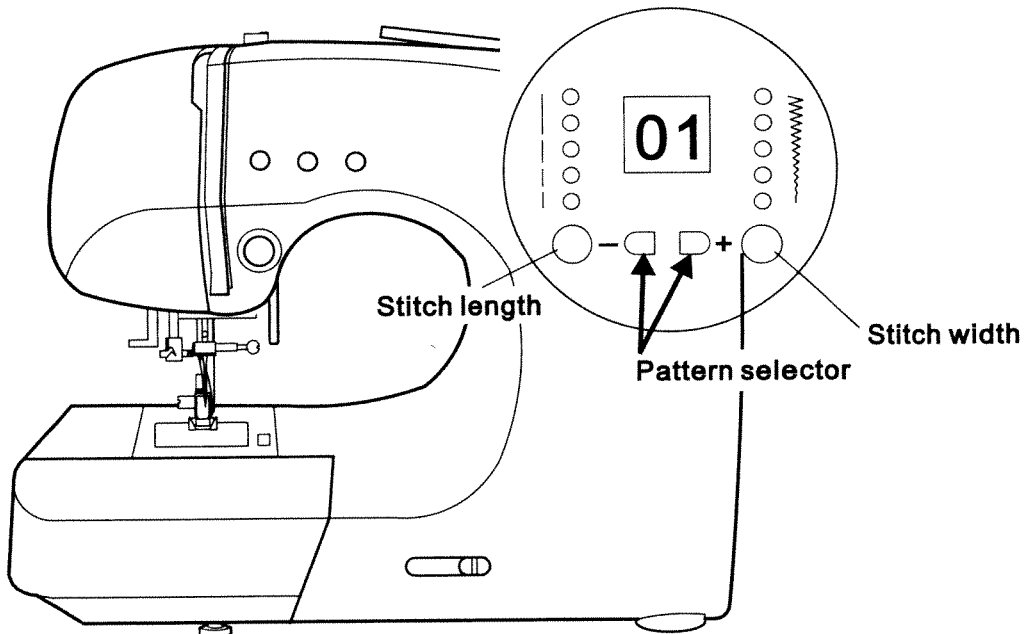
-To reduce the risk of burns, fire, electric shock, or injury to person

1. Handle the foot controller with care and avoid dropping it on the floor. Be sure not to place anything on top of it.
2. Use only foot controller provided with this machine.

# WHERE TO USE EACH STITCH

- 01. STRAIGHT STITCH
- 02. LEFT POSITION, STRAIGHT STITCH
- 03. QUILT STITCH, LIKE HAND SEWN
- 04. STEM STITCH FOR STRETCH FABRICS
- 05. TRIPLE STRAIGHT STITCH
- 06. ZIGZAG STITCHING
- 07~11. BUTTONHOLES
- 12. 3-STEP ZIGZAG
- 13. SATIN STITCH
- 14. RICK-RACK
- 15. OVERLOCK
- 16. DOUBLE OVERLOCK
- 17. SHELL
- 18. BLIND HEM
- 19. BLIND HEM, ZIGZAG
- 20. DOUBLE ACTION
- 21. BRIDGING
- 22. FEATHER
- 23. FEATHER
- 24. ELASTIC OVERLOCK
- 25~66. DECORATIVE AND FUNCTIONAL STITCHES

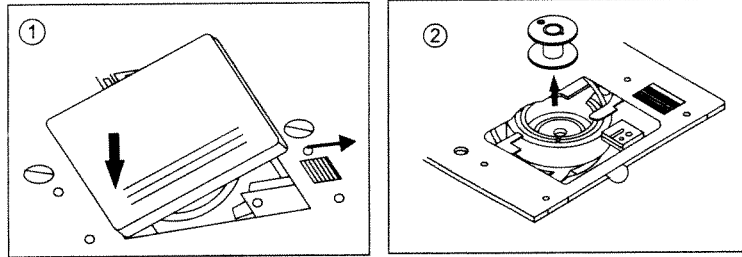
01	02	03	04	05	06	07	08	09	10	11
12	13	14	15	16	17	18	19	20	21	22
23	24	25	26	27	28	29	30	31	32	33
34	35	36	37	38	39	40	41	42	43	44
45	46	47	48	49	50	51	52	53	54	55
56	57	58	59	60	61	62	63	64	65	66



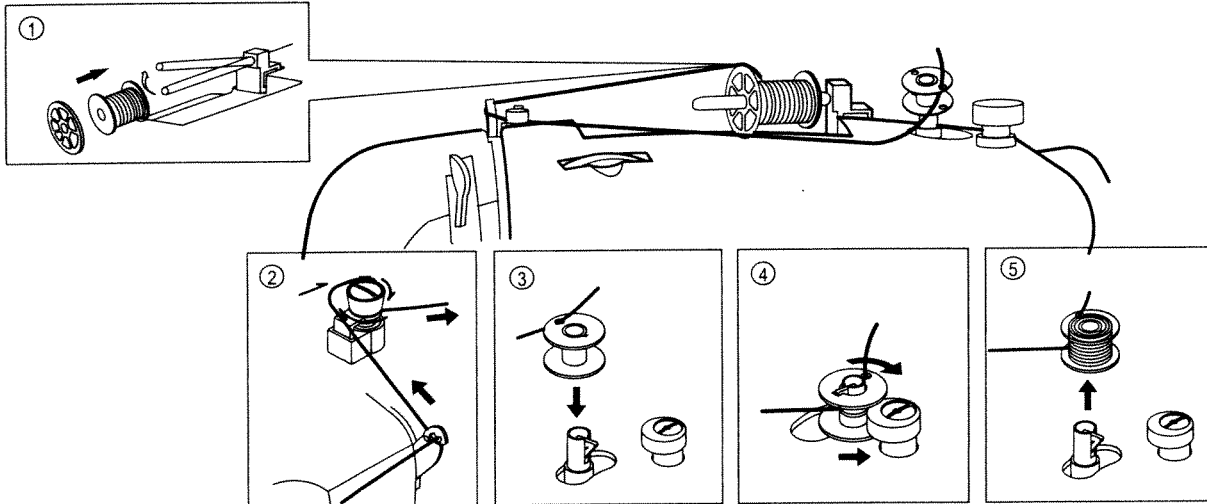
# BOBBIN WINDING

## REMOVING THE BOBBIN

1. Remove the slide cover by sliding the locker to right and push down the left corner of slide cover. At the same time.
2. Remove the bobbin from the machine.



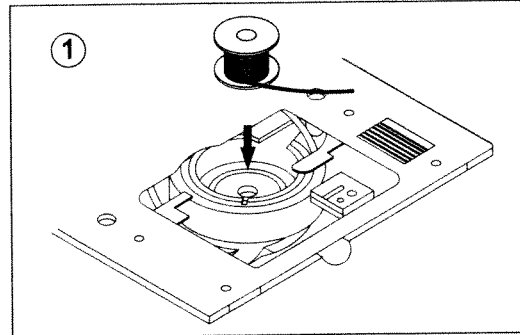
## WINDING THE BOBBIN



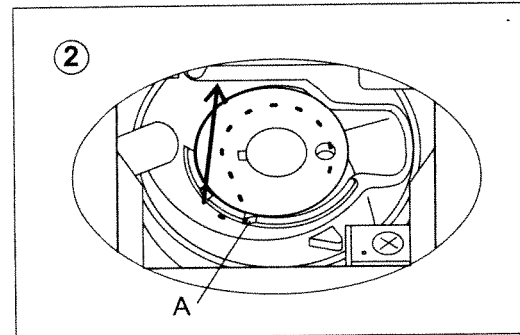
1. Pivot spool pin into highest horizontal spool pin position.
2. Pass a spool of thread on the spool pin. Secure it with the spool cap to ensure smooth flow of thread.
3. Pass thread thread from spool through thread guides as shown.
4. Pull end of thread through hole in bobbin as shown.
5. Make sure the bobbin winder shaft is in left position. Place bobbin onto shaft with end of thread coming from top of bobbin. Push bobbin winder shaft to right until it clicks. Hold onto end of thread.
6. Start machine. The thread that is held will snap or may be trimmed with a scissors. Bobbin will cease turning when completely filled. Push shaft to left to remove bobbin.

## INSERTING THE BOBBIN

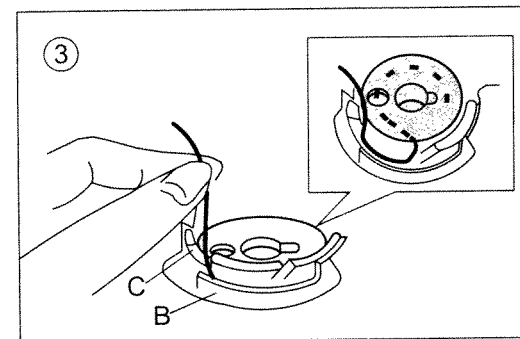
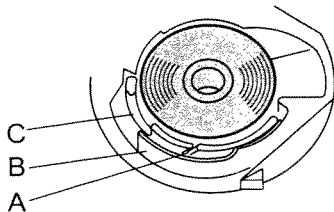
1. Place bobbin into bobbin holder with the thread unwinding counter clockwise.



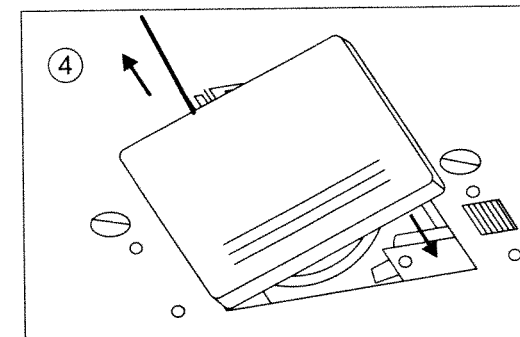
2. Draw thread into notch (A).



3. Pull thread toward the left and along the inside of spring (B) until it slips into notch (C) being sure that thread does not slip out of notch (A).

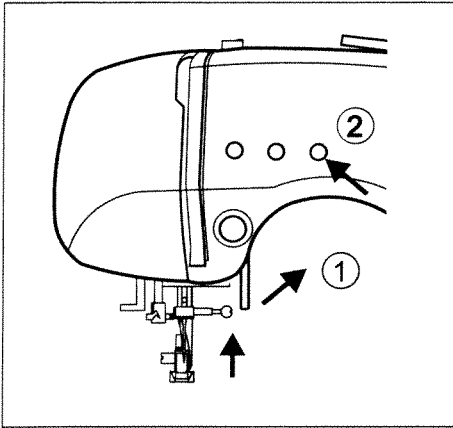


4. Pull thread out about 10 inches and replace the slide cover.

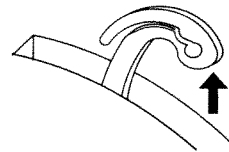
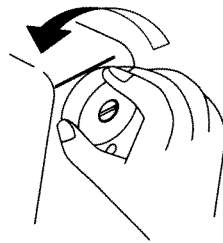
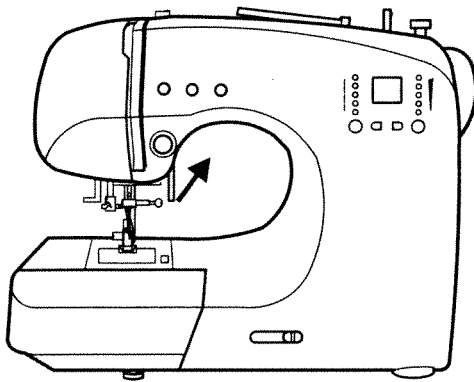


# THREADING THE MACHINE

## THREADING THE UPPER THREAD

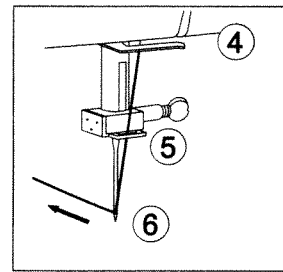
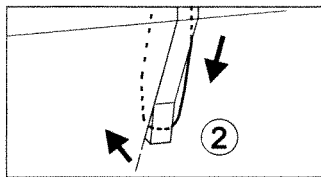
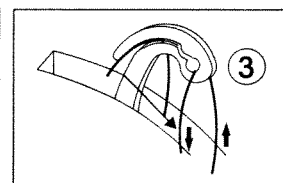
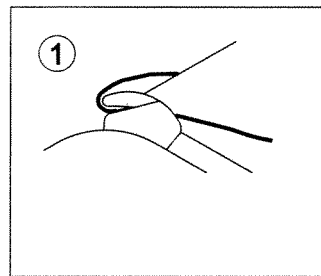
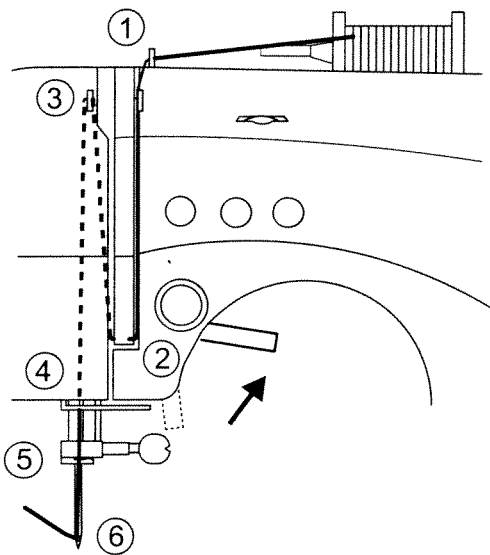


1. Raise the presser foot lifter.
2. Press the needle up/down button and set needle in up position.
3. Place a spool of thread onto spool pin and set the spool cap.
4. Pass thread through thread guide.
5. Pass thread along the arrow marks on machine.



## THREADING THE TOP THREAD

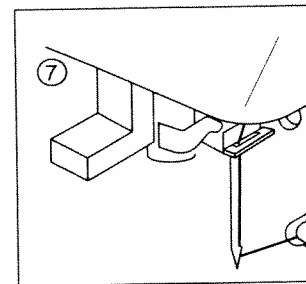
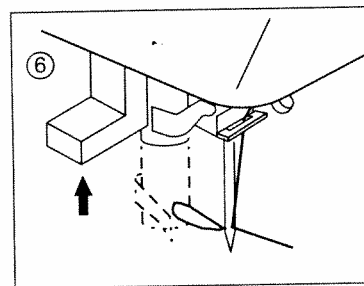
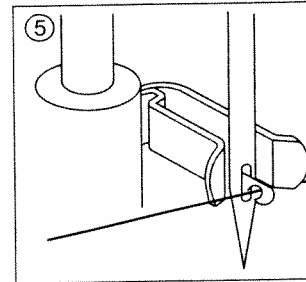
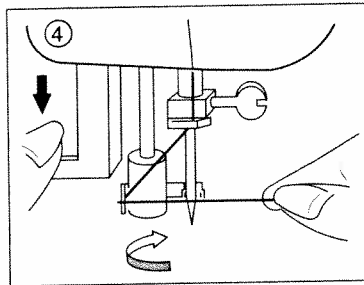
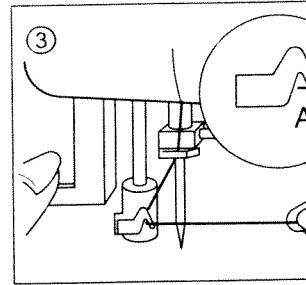
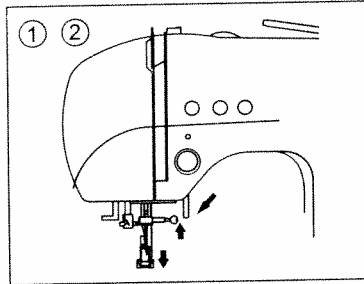
1. Raise the presser foot lever.
2. Raise the needle to its highest position by rotating the hand wheel towards you.
3. Thread the machine in the order as illustrated.



## THREADING THE NEEDLE EYE

1. Lower the presser foot.
2. Set needle in up position.
3. Lower the threader slowly and draw thread through thread guide (A) and pull toward the right.
4. Lower the lever as far as it will go. The threader will turn and the hook pin will go through the needle eye.
5. Draw thread through the lower guide.
6. Hold thread loosely and release the lever. Hook will turn and pass thread through needle eye while making a loop.
7. Pull thread out about 10 inches from needle eye.

Note: The needle threader is used for needle sizes 11, 14, and 16.

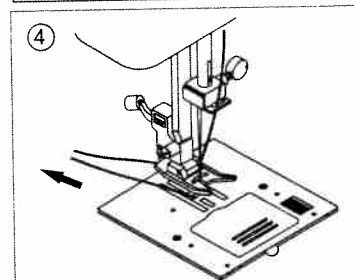
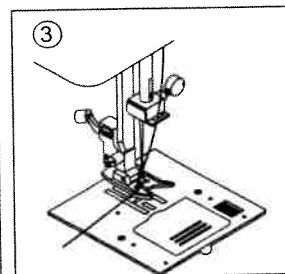
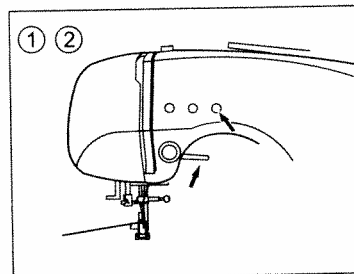


### CAUTION: To prevent accidents.

Do not lower the threader lever while machine is operating.

## DRAWING UP THE BOBBIN THREAD

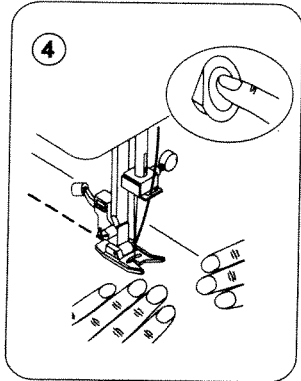
1. Raise the presser foot.
2. Hold the upper thread loosely and press needle up/down button twice. The hand wheel will turn one complete turn.
3. Pull upper thread lightly. Bobbin thread will come up in a loop.
4. Pull both upper and bobbin threads about 10 inches toward the back of presser foot.





# STARTING TO SEW

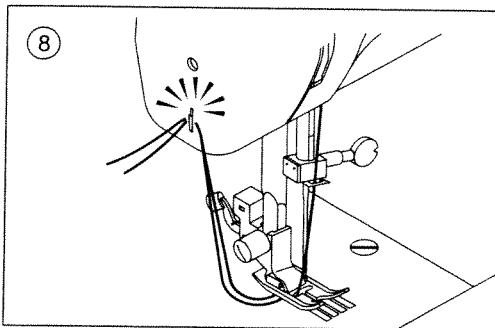
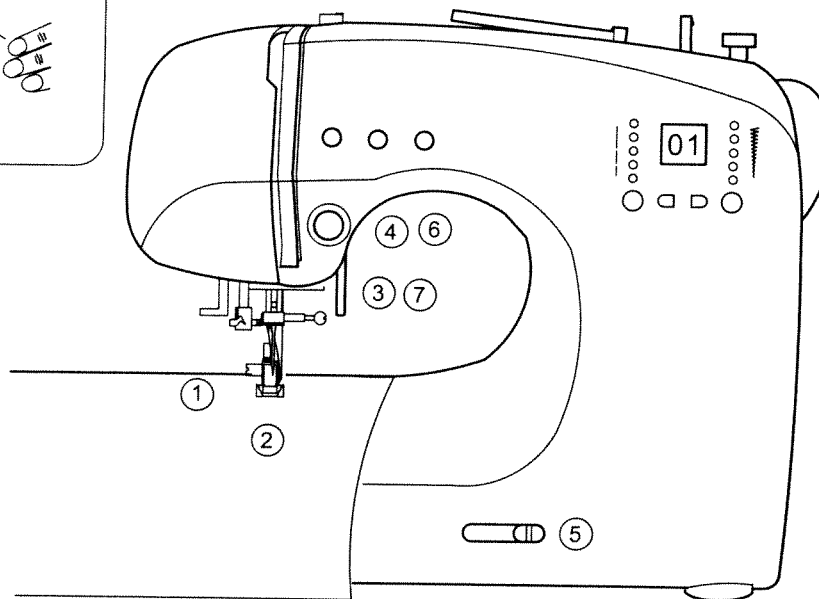
The machine will be set at 01 automatically to sew straight stitches when power switch is turned on.



**CAUTION: To prevent accidents.**

While sewing, special care is required around the needle.

The machine will automatically feed the fabric, do not pull nor push fabric, simply guide the fabric to sew straight.

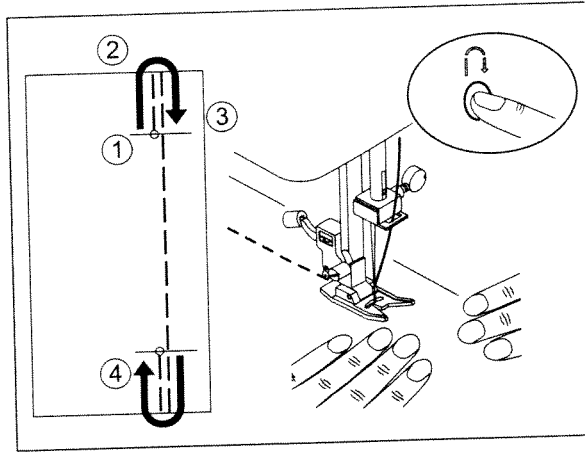


1. Check the presser foot (General Purpose Presser Foot). Refer to page 6 for changing the presser foot.
2. Place the fabric under the presser foot.
3. Lower the presser foot.
4. Hold back both threads when starting machine. Let threads go after sewing a few stitches.
5. Regulate the speed while sewing.
6. Stop machine when you reach end of seam.
7. Raise the presser foot lifter.
8. When you have reached the end of a seam, stop sewing and turn the hand wheel toward you to bring the needle to highest position. Raise the presser foot and pull the fabric out from under the foot to the back of the machine. Cut the threads in the thread cutter on the left side of the machine.

## REVERSE STITCHING

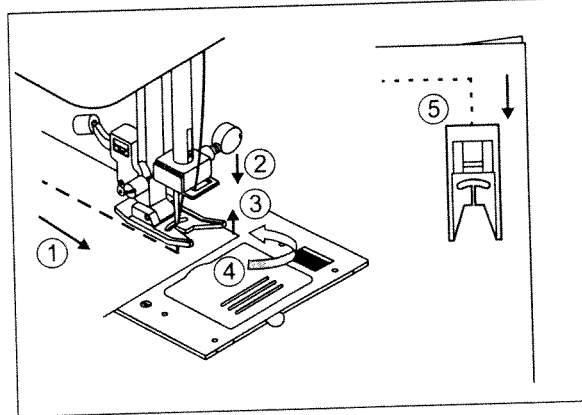
Reverse stitching is used for reinforcing the ends of the seams.

1. Place the fabric in position where back stitching is to be made and lower the presser foot.
2. Press reverse stitch button and sew 4-5 stitches. (Using foot controller, press pedal with pressing reverse stitch button.)
3. Press start button and resume sewing. (Using controller, release reverse stitch button to forward stitching.)
4. When you reach the end of seam, press reverse stitch button and sew 4-5 reverse stitches.



## TURNING CORNERS

1. Stop the machine when you reach a corner.
2. Lower needle into the fabric. To lower the needle, you can either use the needle up/down button or turn the handwheel toward you.
3. Raise the presser foot.
4. Use the needle as a pivot and turn fabric.
5. Lower the presser foot and resume sewing.

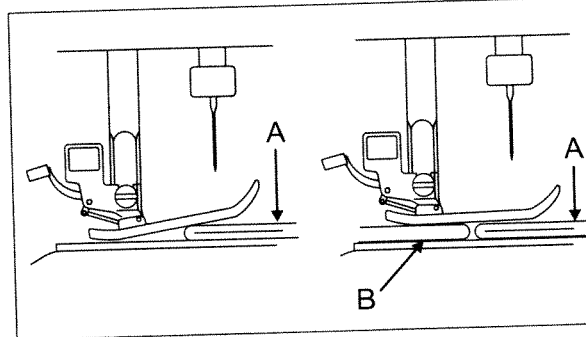


## SEWING HEAVY FABRIC

When sewing heavy fabrics, the toe end of presser foot tends to lift up and sewing can not be started smoothly. In such case, place a piece of cardboard or fabric of same thickness under the heel end of the presser foot.

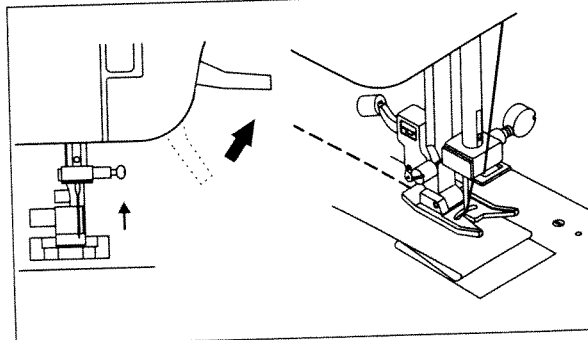
- The presser foot lifter can be raised 1 step higher for placing heavy materials under the presser foot easily.

A: Fabric B: Thick paper or fabric



## SEWING OVER OVERLAPPED AREAS

Guide the fabric with your hand when sewing over overlapped areas.

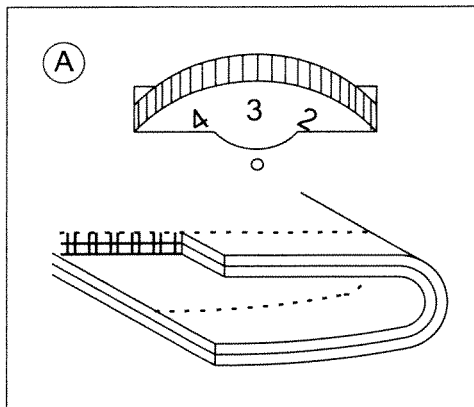


# ADJUSTING THE THREAD TENSIONS

The thread tension must be properly balanced. If adjustment is required, it can be made by changing the upper thread tension.

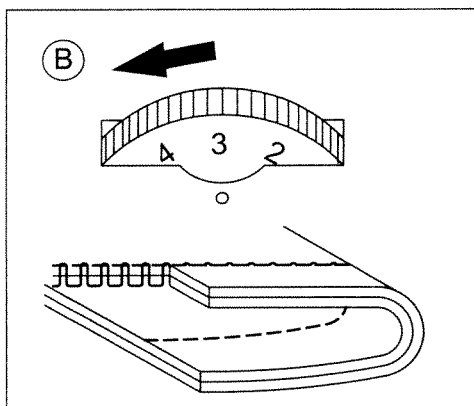
## A. Correct Thread Tension

Upper and bobbin threads should lock approximately in the middle of fabric.



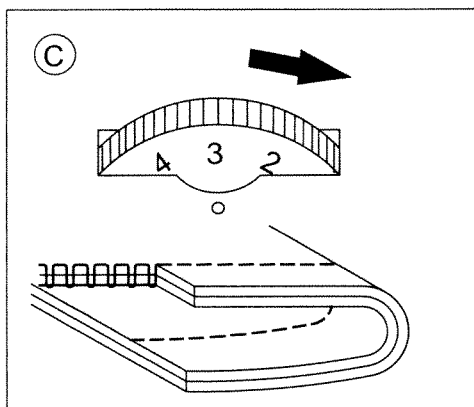
## B. When bobbin thread appears on top side of fabric.

Turn the tension dial to a lower number.



## C. When upper thread appears on the bottom side of fabric.

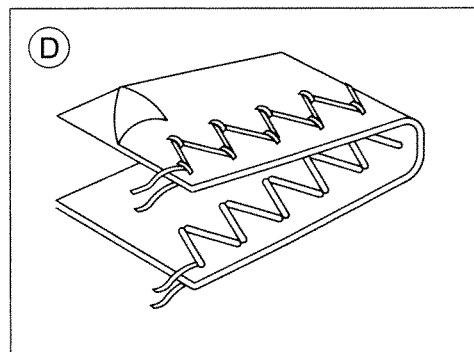
Turn the tension dial to a higher number.



## D. Thread Tension for Zigzag Stitches

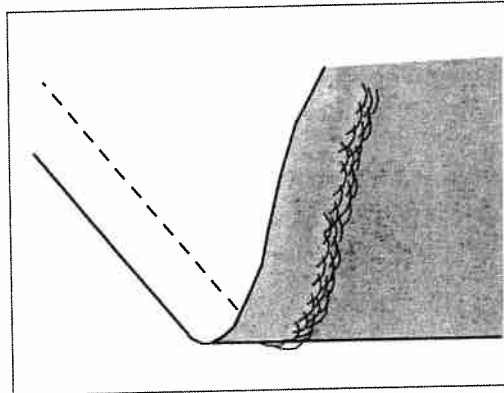
To sew zigzag stitches, the thread tension should be set to a slightly weaker tension than when sewing straight stitches.

You will obtain a nicer stitch when upper thread appears on bottom side of fabric.



● **Helpful Hint**

Like shown on drawing, stitches on top side of fabric are good but bottom side tends to have a bunch of thread, it usually means that the upper thread is not threaded correctly (especially threading of the upper thread tension regulator may not be correct.) Refer to page 14 for correct threading.



**CAUTION: To prevent accidents.**

The feed dog will feed the fabric automatically. Do not pull nor press on fabric with hands. It will cause needle breakages or poor quality stitches.

## FABRIC, THREAD AND NEEDLE TABLE

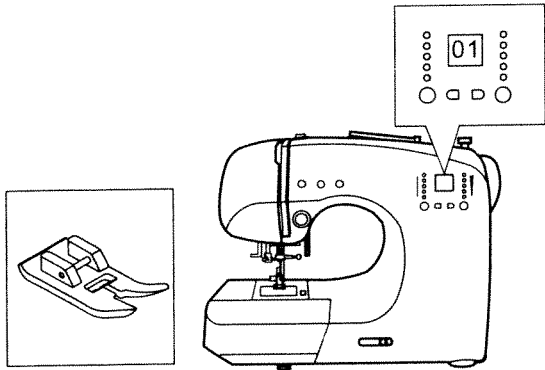
Select size of thread and needle in accordance with fabric to be sewn.

Type of Fabric	Thread Size	Needle Size
● Light Weight-thin georgette, organdy, viole, taffeta, silk, etc.	Ctn.# 80 - 100 Silk 60 - 80 Syn. 80 - 100	9/70-11/80
● Medium Weight-gingham, pique, linen, cotton, satin, thin corduroy, velvet	Ctn.# 50- 80 Silk 50 Syn. 50 - 80	11/80-14/90
● Heavy Weight-gabardine, tweed, denim, corduroy	Ctn.# 40 -50 Silk 50 Syn. 50 - 60	14/90-16/100
● Stretch-double knit, tricot, spandex, jersey	Ctn.# 50 - 80 Silk 50 Thread for knit	11/80-14/90 Needle for knit and synthetic fabric

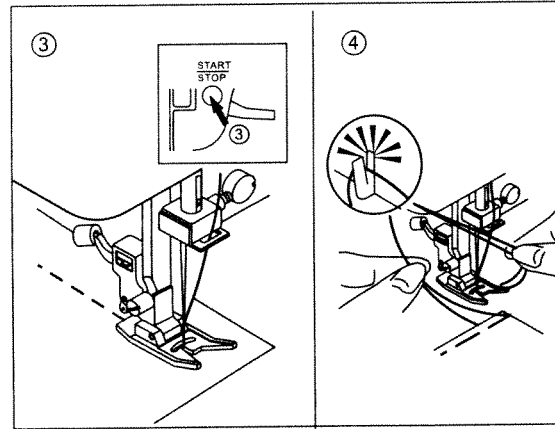
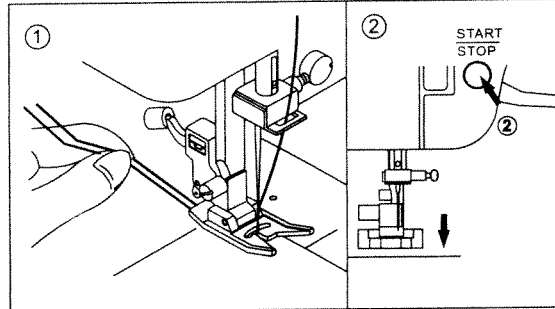
To change needle, see page 6.

# STRAIGHT STITCH SEWING

Straight stitch patterns should be selected suit the type of fabric being sewn.

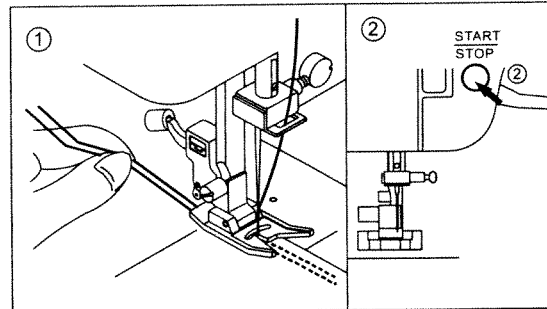


1. Position the fabric under the presser foot and lower it  
Hold the upper thread and bobbin thread loosely.
2. Press start button to start sewing.  
(When foot controller is used, press the pedal.)  
Place hand lightly on the fabric while sewing  
to guide the fabric.
3. When you reach the end of seam, stop sewing by  
pressing the start/stop button (or releasing the  
pressure on controller).
4. Raise the presser foot and cut thread.



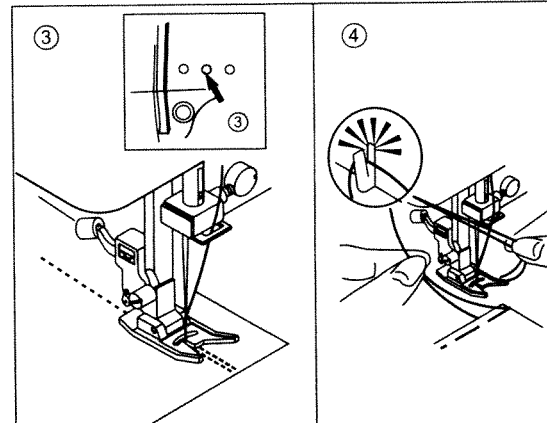
## Straight Stitch With Auto-lock Stitch

1. Position the fabric under the presser foot and  
lower it.  
Hold the upper thread and bobbin thread loosely.
2. Start sewing.



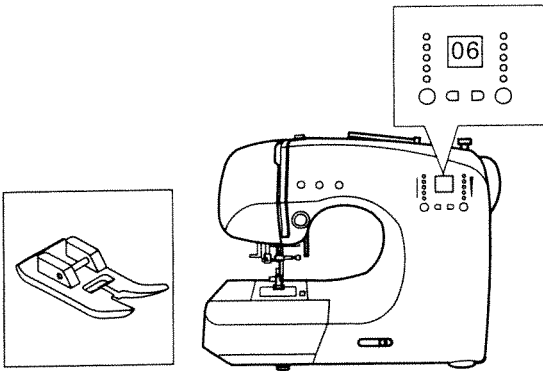
## Backward and continue sewing forward.

3. When you reach the end of seam, press the reverse  
button.  
Machine will sew a few stitches backward and sew a  
few stitches forward and stop automatically.
4. Raise the presser foot and cut thread.



## ZIGZAG STITCH SEWING

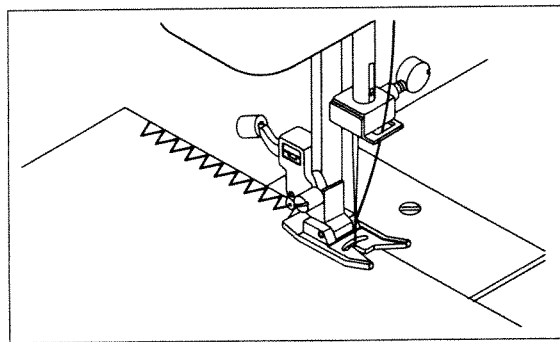
Your machine can sew zigzag stitches of various widths and lengths by changing the settings of the stitch width and stitch length.



Zigzag stitches are very good for joining two pieces of fabrics, applique and sewing various decorative patterns.

### SATIN STITCHING

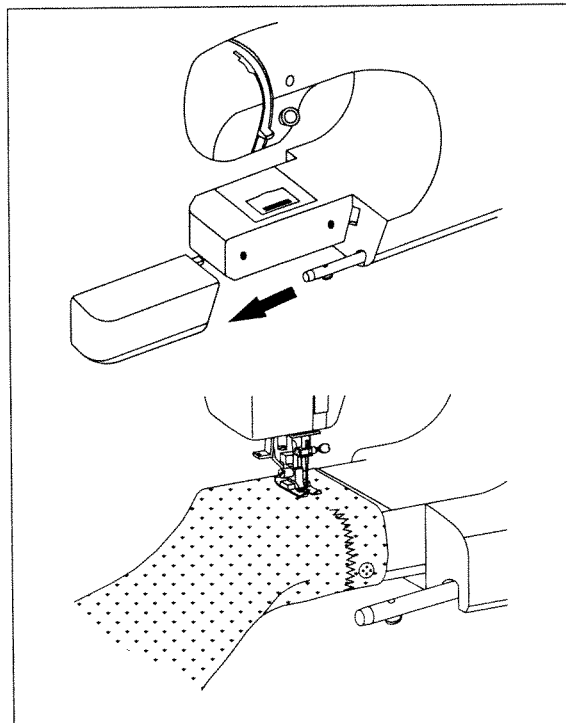
When you sew the satin stitch by shortening the stitch length, attach the satin foot.



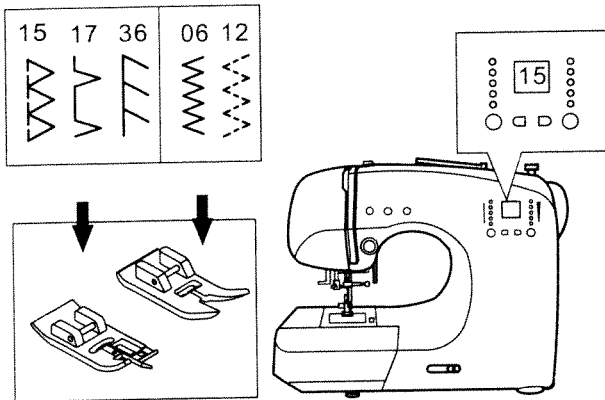
## FREE ARM SEWING

By simply removing the extension table, machine becomes a free arm machine making hard to reach areas readily accessible.

- Refer to page 5 for Removing The Extension Table.



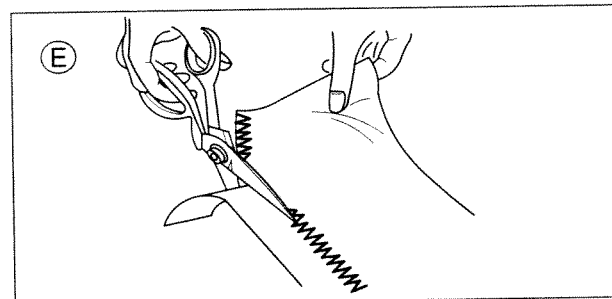
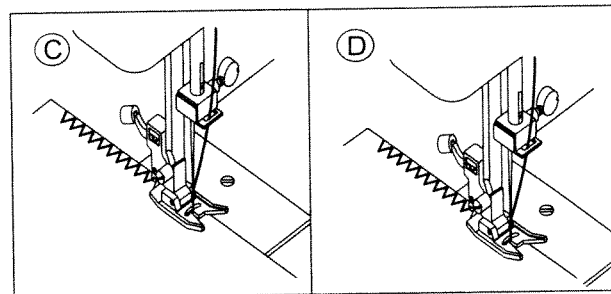
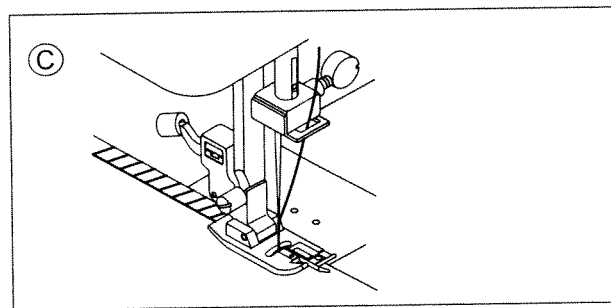
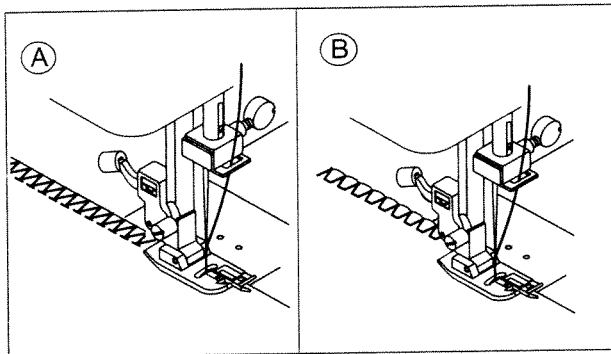
# OVERCASTING-OVERLOCKING



## USING THE OVERCASTING FOOT

Press fabric against the guide plate of the overcasting foot so that needle falls near the edge of seam.

- A. (Width=6.5-5.0) is used for preventing raveling of fabrics.
- B. can sew overcasting and regular stitches at the same time. Therefore it is convenient for sewing easy to ravel and stretch fabrics.



**CAUTION:** To prevent accidents.

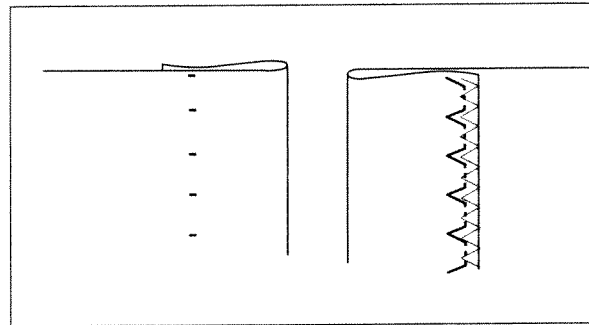
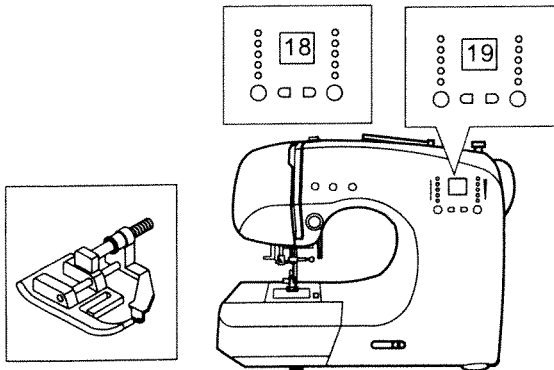
Overcasting foot should be used for sewing patterns 06 and 12 only and do not change the stitch width narrower than 5.0 It is possible that needle could hit the presser foot and break when sewing other patterns and width.

## USING THE GENERAL PURPOSE FOOT

Place fabric that needle will fall nearest to edge of fabric when using the General Purpose Foot.

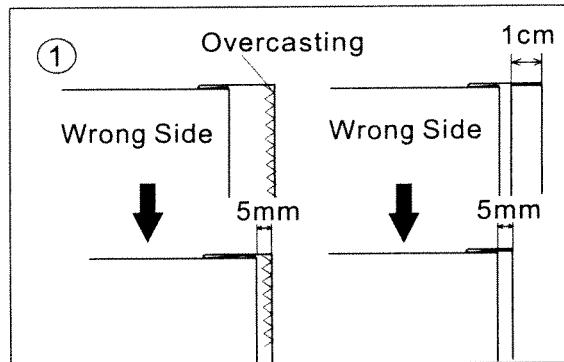
- C. For narrower zigzag width
- D. Use 06 when sewing easy to ravel or stretch fabrics.
- E. You can also cut off the excess material after sewing the inside of fabric. Be careful not to cut thread when cutting excess materials.

# BLIND HEM STITCHING



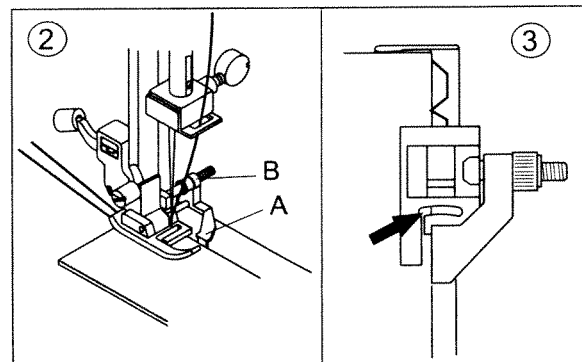
This stitch will sew without stitches showing on right side of fabric.

1. Fold the fabric as shown on drawing.



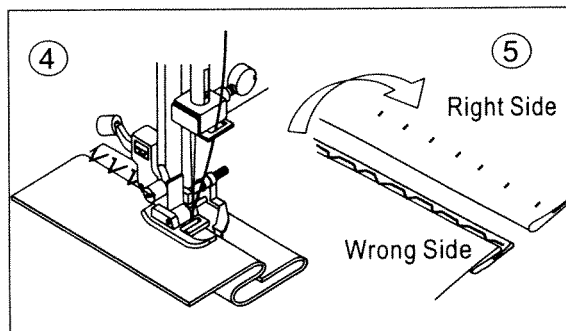
2. The guide (A) on the blind foot ensures even feeding of the fabric when blind hem stitching. The guide (A) is adjusted by turning the adjusting screw (B).

3. Place fabric so that the straight stitches are on the protruding hem edge and the zigzag stitches just catch one thread of the folded edge. Turn the screw so that the guide barely touches the folded edge of fabric.



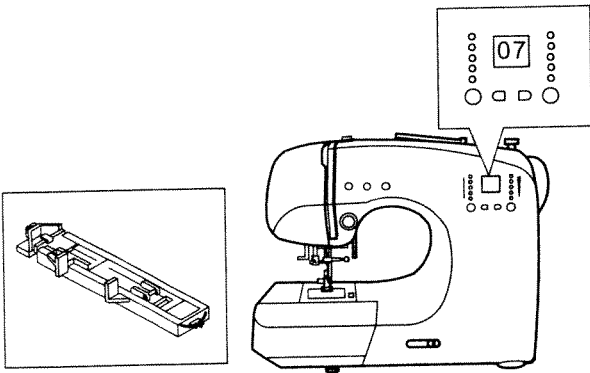
4. Lower the presser foot and sew hem, guiding fabric evenly along the guide.

5. Turn the fabric over when you have completed sewing.





# BUTTONHOLE SEWING



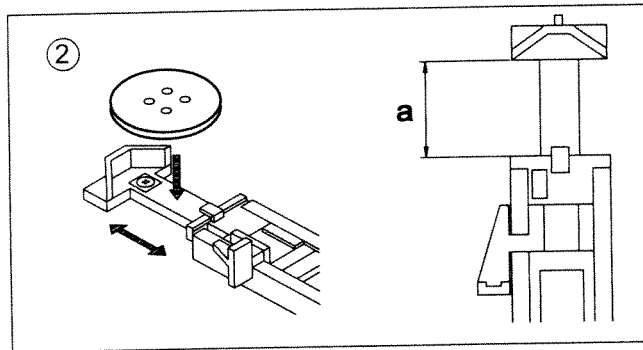
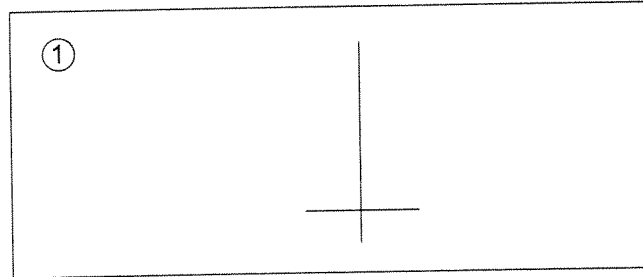
This machine can sew 3 type buttonholes.

1. Mark position and length of buttonhole on fabric.

2. Set button on the base.

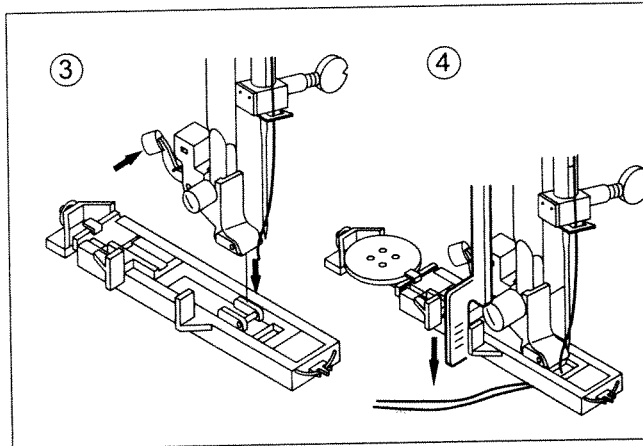
\* If button does not fit on the base, adjust slide on base to diameter of button plus thickness of button.

a= Length of button + thickness



3. Pass upper thread through the hole of buttonhole foot and bring upper and bobbin threads to the left.

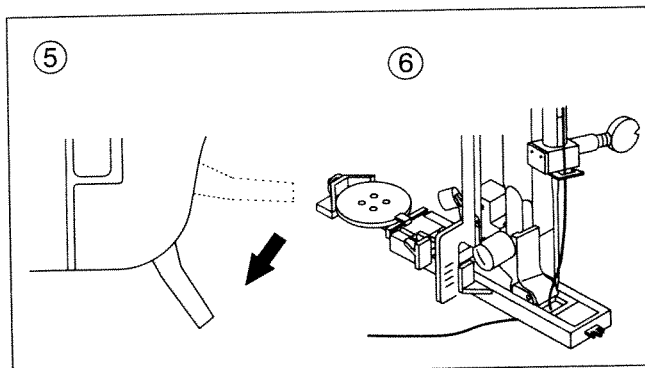
4. Position fabric under presser foot so that the center line mark is in the center of the buttonhole foot. Lower the foot.

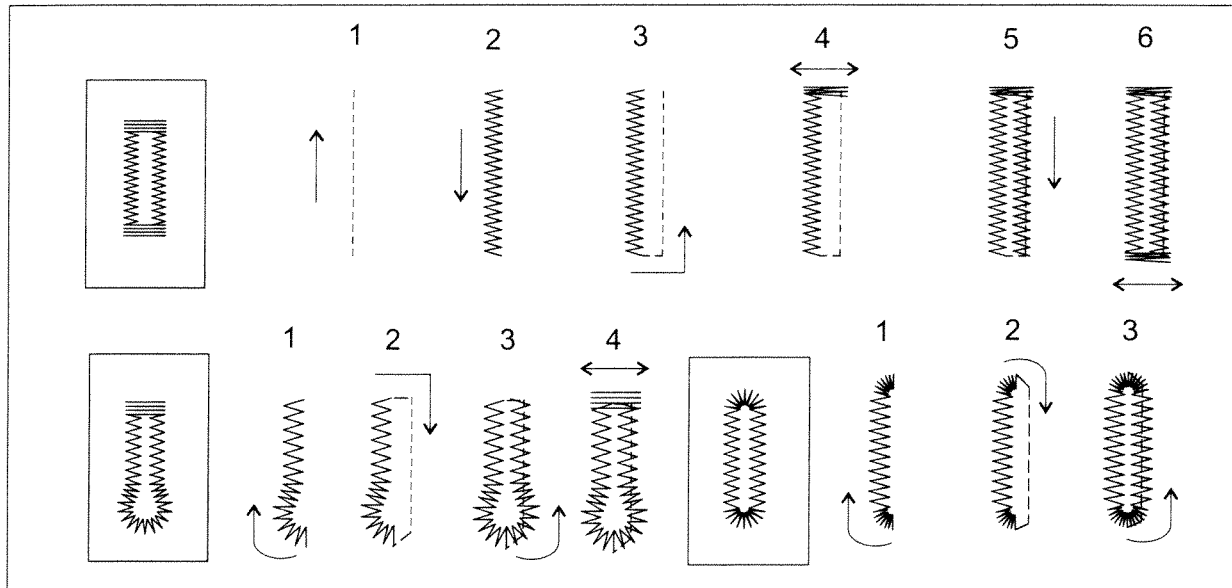


5. Reset presser bar lifter up & down for BH presser foot touch the buttonhole lever. Now, start switch show green light.

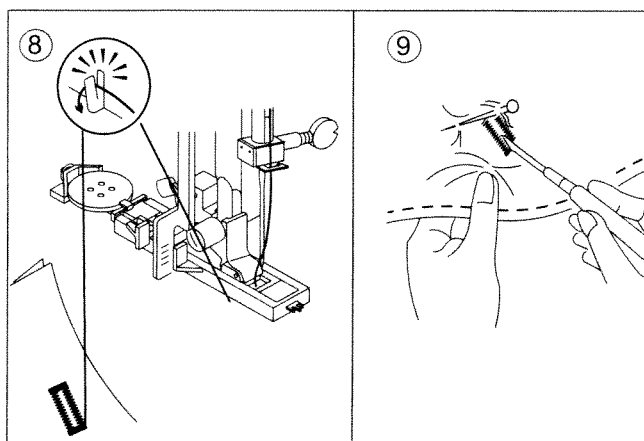
**Note: Machine will not start to sew if buttonhole lever is not lowered properly or buttonhole foot is not positioned correctly.**

6. Hold upper thread lightly and start the machine.





7. Machine will sew the buttonhole in the order as shown and stop automatically after sewing.
8. Raise the presser foot and cut thread. To sew over same buttonhole, raise presser foot to return to original position
9. Cut center of buttonhole being careful not to cut stitches on either side. Use a pin as a stopper.



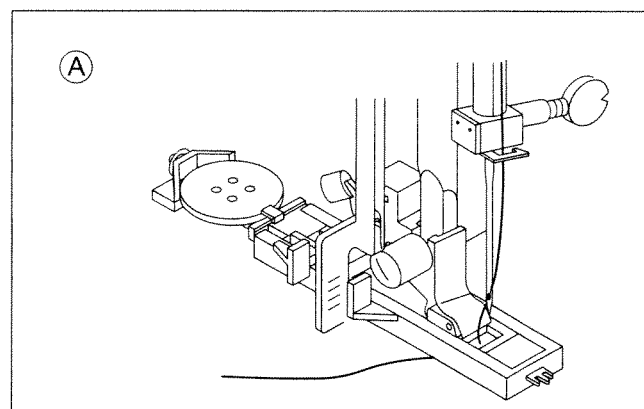
**CAUTION: To prevent accidents.**

When using seam ripper, do not put your finger in the path of ripper.

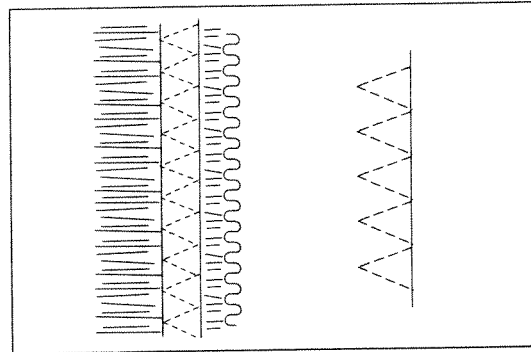
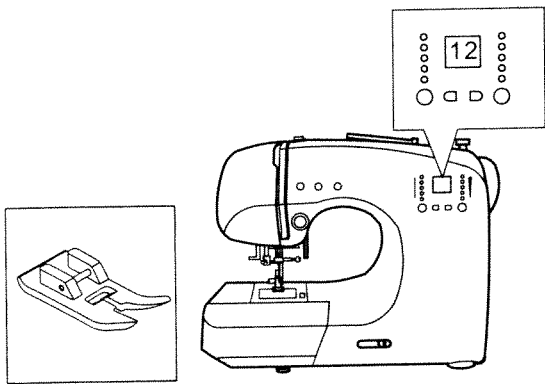
**A. WHEN SEWING STRETCH FABRIC**

It is suggested that you use interfacing on the backside of the fabric.

Note: Density of buttonhole legs may be adjusted with stitch length control.



## MULTI-STITCH ZIGZAG



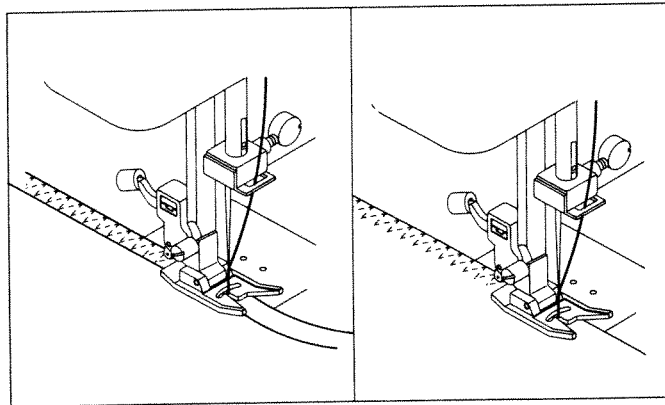
Used for sewing on elastic band and overcast stitching on knit fabrics.

### A. Elastic Band Sewing

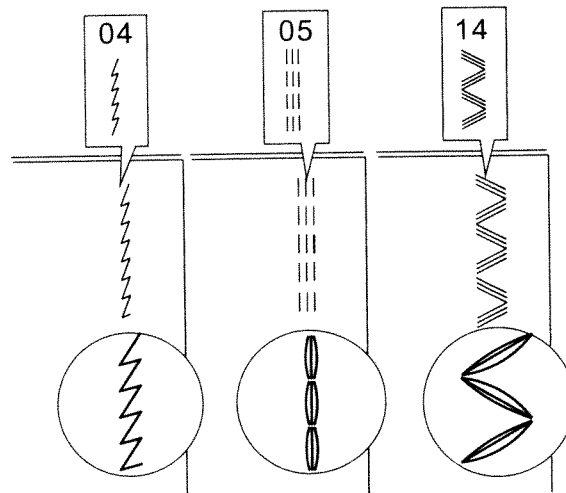
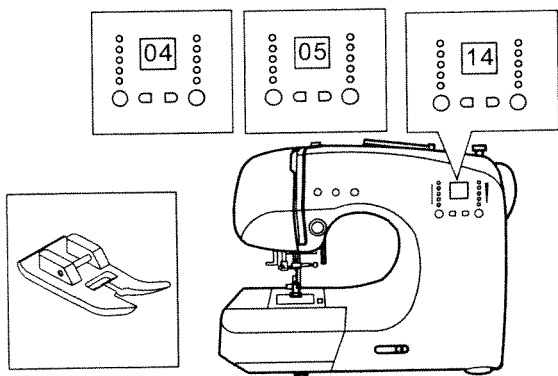
Pull elastic band in front and back of needle while sewing.

### B. Overcast Stitching

Used for easy to ravel and knit fabrics. Needle should fall on extreme edge of fabric.



## ELASTIC STITCH SEWING

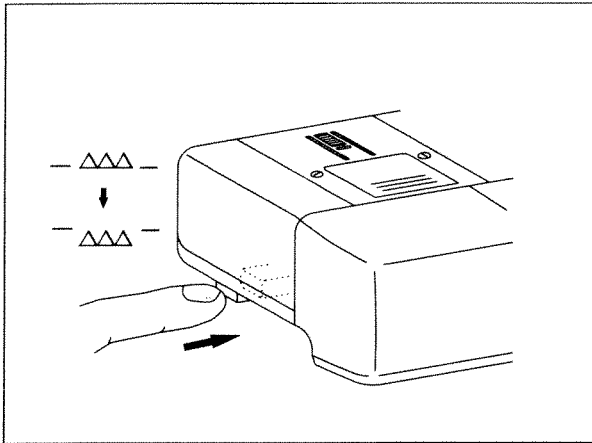


It assures you of a stitch that is strong and flexible and will give with the fabric without breaking. Good for easy to ravel and knit fabrics. It is good for joining durable fabrics such as denims.

We recommend that you use a needle for knit and synthetic fabrics to prevent stitch skippings and thread breakages.

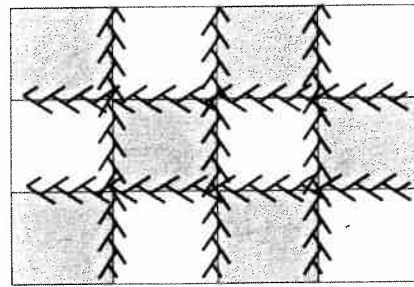
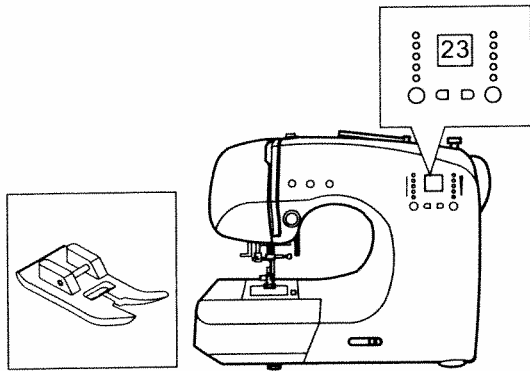
## FEED DOG CONTROL

---



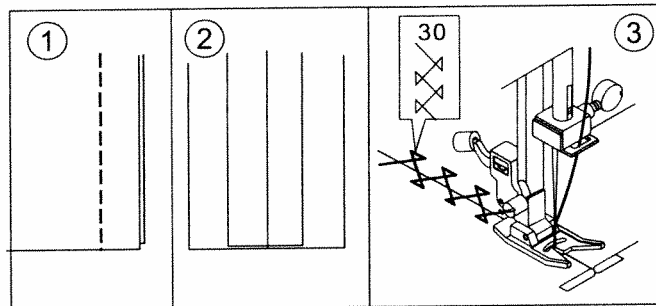
The feed dogs control the movement of the fabric that is being sewn. They should be raised for all general sewing purposes and lowered for darning, freehand embroidery and monogramming so that you, not the feed dogs, are moving the fabric.

# PATCH WORK

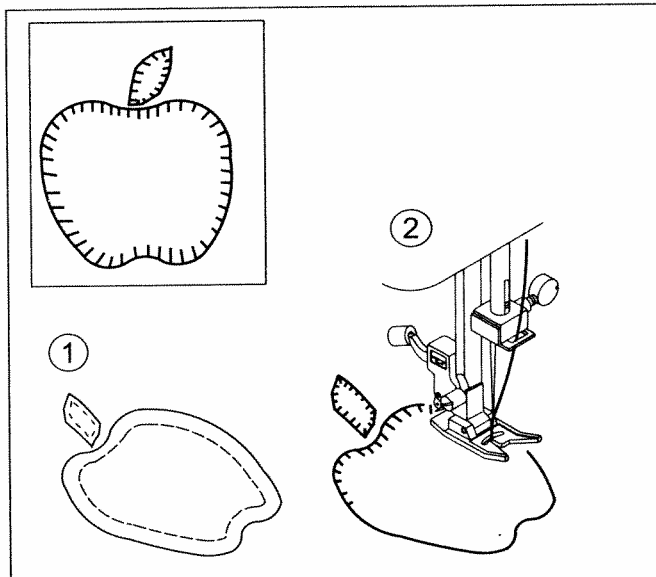
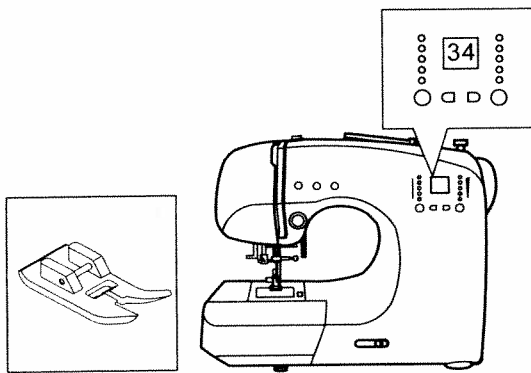


For additional decorative purposes, use different kind of materials.

1. Place two pieces of fabric right sides together and sew a basting stitch.
2. Press the seam open.
3. Be sure that stitches fall on both sides of fabric.



# APPLIQUE

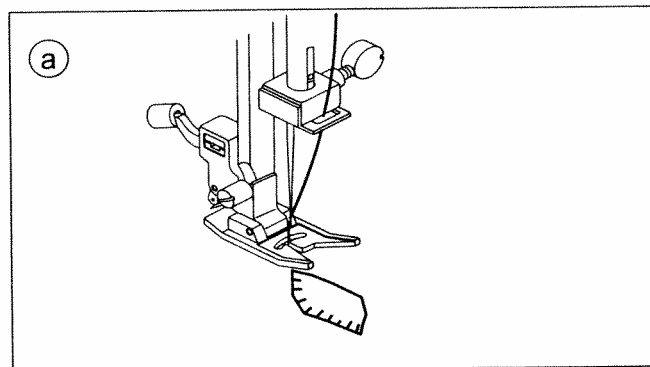


1. Fix applique on fabric with fabric glue, fusible iron-on or basting stitches.

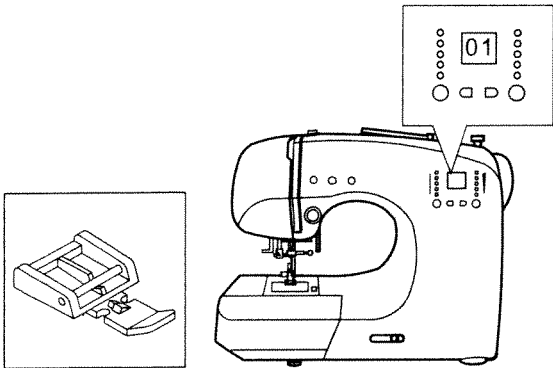
2. Sew edge of applique, while dropping the needle as close to the edge as possible. The straight stitch is almost entirely sink-stitched and hand-made effect is obtained.

## A. When sewing sharp angles

Bring needle to lowest position and raise the presser foot. Use needle as pivot and turn fabric.

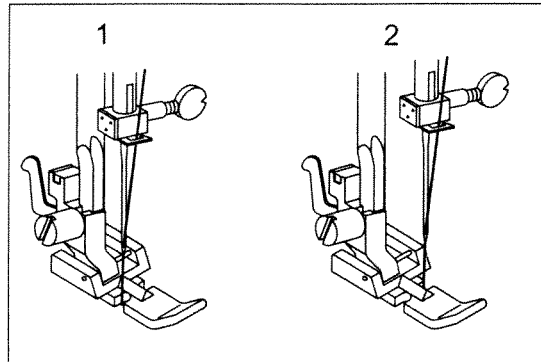


# INSERT ZIPPERS AND PIPING ZIPPERS

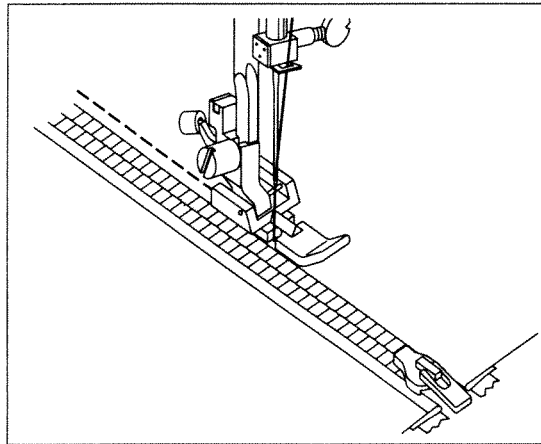


Attach the zipper foot which can be snapped on to the right or the or left of the foot sew you can stitch close to the zipper on the right or left side.

Illustration 1: Needle to the left of foot  
2: Needle to the right of foot

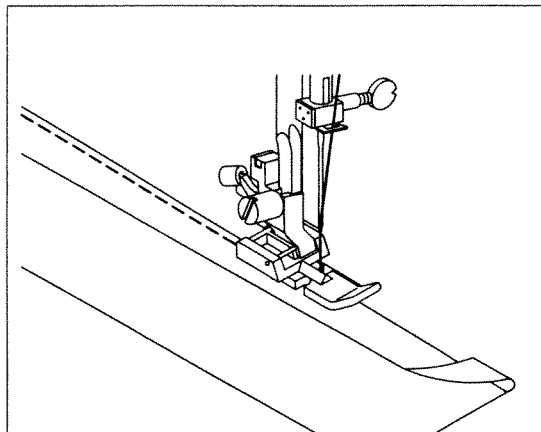


To insert zippers, consult the zipper package for instructions on how to prepare zipper placket and place zipper. To sew close to the zipper on the right side, snap the zipper foot onto the ankle on the left side so the needle passes through the opening on the left side of the foot. Snap the foot onto the onkel on the other side of the foot to sew the close to the left side of the zipper.



## PIPING

To insert piping, purchase pre-made piping or cover cording with a bias strip of fabric using the zipper foot snapped on to the left side of the ankle. Place the piping between two layers of fabric. Stitch with the piping next to the foot so the stitching is tight against the cord.

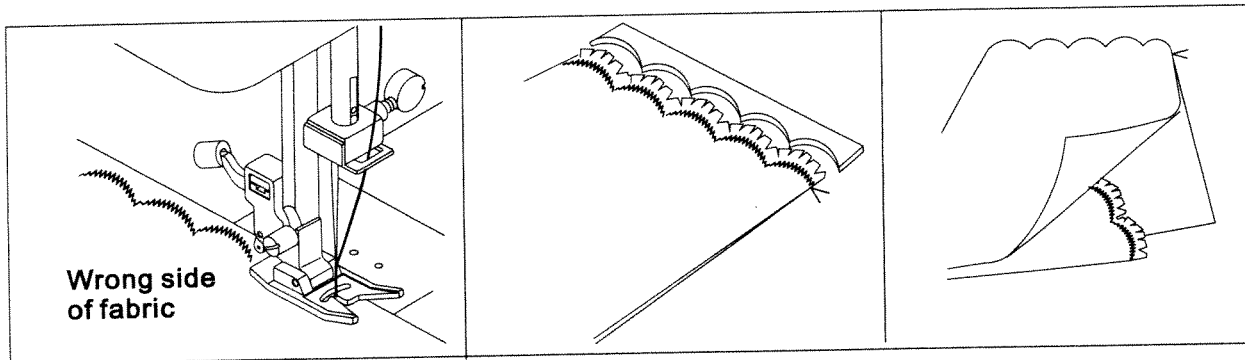
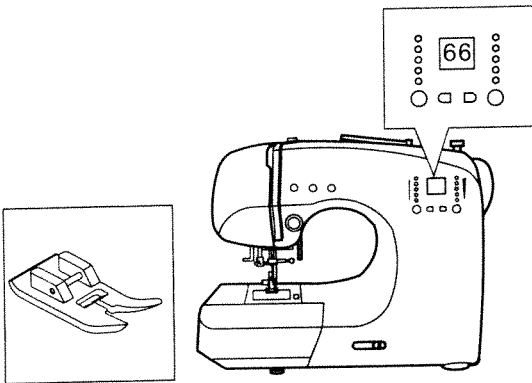


# SCALLOP STITCH

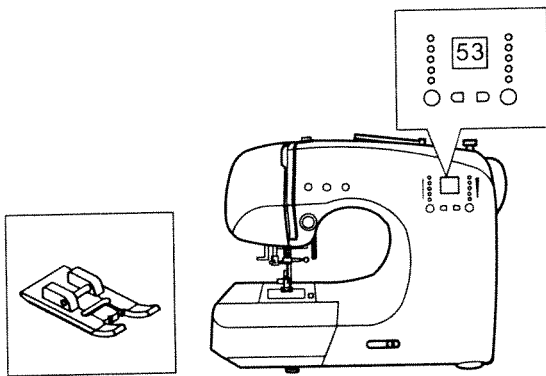
This stitch is used to sew edge on women and children's wear and table cloths.

## SCALLOP HEM

1. Fold the fabric right sides together in and sew along the edge.
2. Cut the fabric along the seam leaving an allowance of 3mm (1/8") for seaming. Notch the allowance.
3. Turn fabric over and push out the curved seam to the surface and press it.



# CONTINUOUS DECORATIVE PATTERN

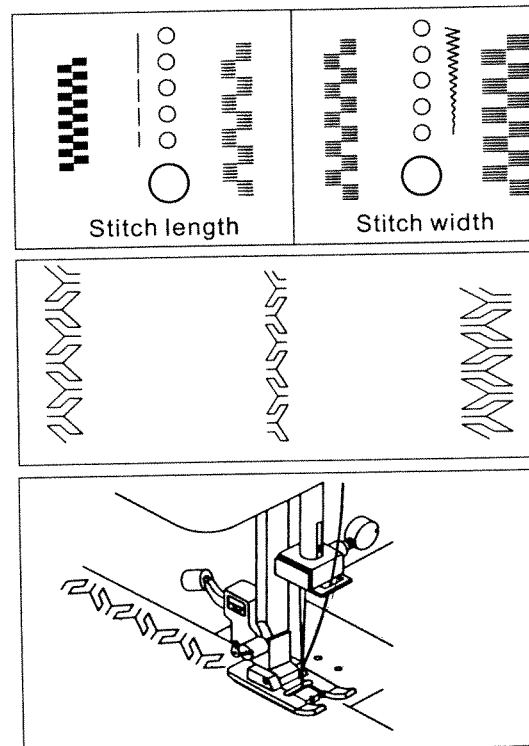


Use the satin foot for continuous decorative stitch patterns. This foot has a full indentation on the underside to permit easy over closely spaced zigzag stitches, and even feed of the fabric.

A. To tailor the continuous decorative stitch pattern, you may adjust the length and width of pattern. Also you may sew mirror stitch of pattern. Experiment with fabric scraps until you get the desired length and width.

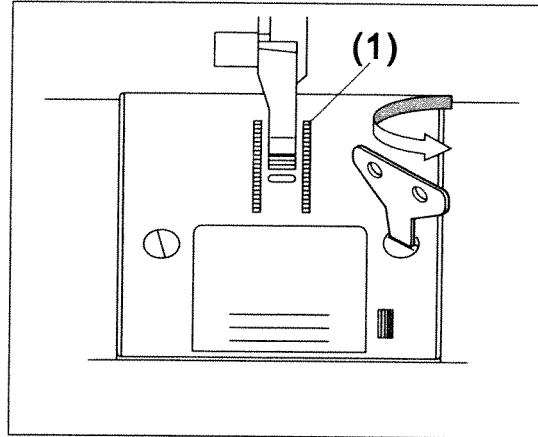
## SEWING LIGHT WEIGHT FABRICS

When sewing light weight fabrics, it is suggested that you use interfacing on the backside of the fabric.



## CARING FOR YOUR MACHINE

To ensure the best possible operation of your machine, it is necessary to keep the essential parts clean at all times. Always disconnect the machine from power supply by removing the plug from the socket-outlet.

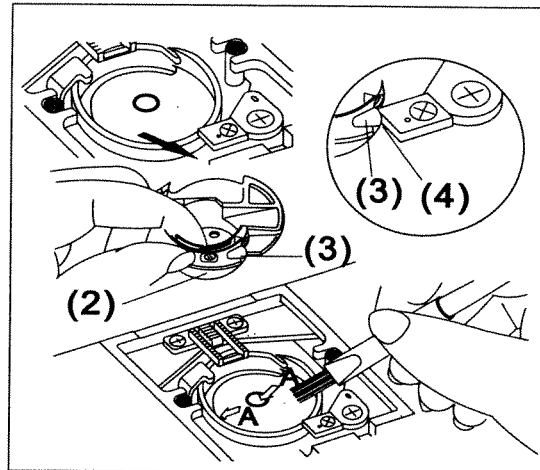


### CLEANING THE FEED DOGS AND HOOK AREA

1. Raise the needle to its highest position.
2. Remove the needle plate (1)
3. Remove the bobbin case (2)
4. Clean the feed doge and hook area with the lint brush.

NOTE: Put drop of sewing machine oil on the hook race as indicated by the arrows A.

5. Replace the bobbin case with the projection (3) positioned against the spring (4). Replace the needle plate.





# HELPFUL HINTS

PROBLEM	CAUSE	CORRECTION	PAGE
Upper thread breaks	<ul style="list-style-type: none"> <li>● Machine not properly threaded.</li> <li>● Thread entwined around bobbin.</li> <li>● Needle inserted incorrectly.</li> <li>● Thread tension too tight.</li> <li>● Thread of incorrect size or poor quality.</li> </ul>	Re-thread machine.	13
		Remove entwined thread.	12
Lower thread breaks	<ul style="list-style-type: none"> <li>● Bobbin threaded incorrectly.</li> <li>● Bobbin wound unevenly or too full.</li> <li>● Dirt on the bobbin holder.</li> </ul>	Re-thread the bobbin.	12
		Rewind the bobbin.	11
		Clean the holder.	30
Machine skips stitches	<ul style="list-style-type: none"> <li>● Needle inserted incorrectly.</li> <li>● Bent or blunt needle.</li> <li>● Incorrect size of needle.</li> </ul> <p>(on stretch fabric)</p>	Re-insert needle.	6
		Insert new needle.	6
Fabric puckers	<ul style="list-style-type: none"> <li>● Machine not properly threaded.</li> <li>● Bobbin threaded incorrectly.</li> <li>● Blunt needle.</li> <li>● Thread tension too tight.</li> </ul>	Choose correct size needle for fabric.	18
		(use stretch needle)	
Machine makes loose stitches or loops	<ul style="list-style-type: none"> <li>● Bobbin threaded incorrectly.</li> <li>● Machine not properly threaded.</li> <li>● Tension not adjusted properly.</li> </ul>	Re-thread machine.	13
		Re-thread the bobbin.	12
Threader does not thread needle eye	<ul style="list-style-type: none"> <li>● Needle is not raised.</li> <li>● Needle inserted incorrectly.</li> <li>● Bent needle.</li> </ul>	Insert new needle.	6
		Raise the needle.	8
Machine does not feed properly	<ul style="list-style-type: none"> <li>● Feed dogs are lowered.</li> <li>● Lint and dust accumulated around feed dogs.</li> </ul>	Re-insert needle.	6
		Insert new needle.	6
Needle breaks	<ul style="list-style-type: none"> <li>● Fabric pulled while sewing.</li> <li>● Needle is hitting the presser foot.</li> <li>● Needle inserted incorrectly.</li> <li>● Incorrect size needle or thread for fabric being sewn.</li> </ul>	Raise the feed dogs.	8
		Clean the feed dogs area.	30
Machine runs with difficulty	<ul style="list-style-type: none"> <li>● Dirt or lint accumulated in the hook race and feed dog.</li> </ul>	Do not pull fabric.	15
		Select correct foot and pattern.	19
Machine will not run	<ul style="list-style-type: none"> <li>● Cord not plugged into electrical outlet.</li> <li>● Power switch is not turned on.</li> <li>● Bobbin winder spindle is pushed to the right.</li> <li>● Presser foot is not lowered.</li> <li>● Buttonhole Sewing Mode; Buttonhole lever is not lowered completely.</li> <li>● Buttonhole foot is not attached.</li> </ul>	Re-insert needle.	6
		Choose correct size needle and thread.	18
		Remove the needle plate and bobbin holder and clean the hook race and feed dog.	30
		Insert plug fully into outlet.	7
		Turn on the switch.	7
Machine will not run	<ul style="list-style-type: none"> <li>● Cord not plugged into electrical outlet.</li> <li>● Power switch is not turned on.</li> <li>● Bobbin winder spindle is pushed to the right.</li> <li>● Presser foot is not lowered.</li> <li>● Buttonhole Sewing Mode; Buttonhole lever is not lowered completely.</li> <li>● Buttonhole foot is not attached.</li> </ul>	Push spindle to the left.	11
		Lower the foot.	15
		Lower the buttonhole lever.	23
Machine will not run	<ul style="list-style-type: none"> <li>● Cord not plugged into electrical outlet.</li> <li>● Power switch is not turned on.</li> <li>● Bobbin winder spindle is pushed to the right.</li> <li>● Presser foot is not lowered.</li> <li>● Buttonhole Sewing Mode; Buttonhole lever is not lowered completely.</li> <li>● Buttonhole foot is not attached.</li> </ul>	Attach the buttonhole foot.	23







## Free Manuals Download Website

<http://myh66.com>

<http://usermanuals.us>

<http://www.somanuals.com>

<http://www.4manuals.cc>

<http://www.manual-lib.com>

<http://www.404manual.com>

<http://www.luxmanual.com>

<http://aubethermostatmanual.com>

Golf course search by state

<http://golfingnear.com>

Email search by domain

<http://emailbydomain.com>

Auto manuals search

<http://auto.somanuals.com>

TV manuals search

<http://tv.somanuals.com>