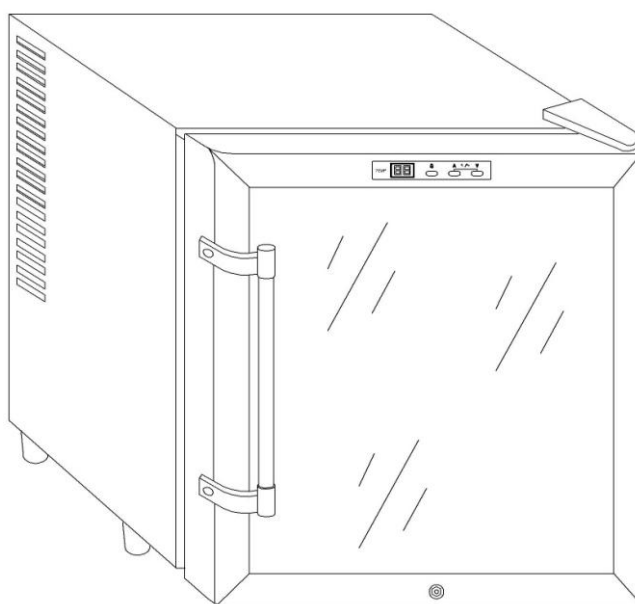


Another  Innovation

SNO Thermoelectric Wine Cooler

OWNER'S MANUAL

MODEL: WC-16S / WC-28S



IMPORTANT

When using an electrical appliance, basic precautions should always be followed, including the following:

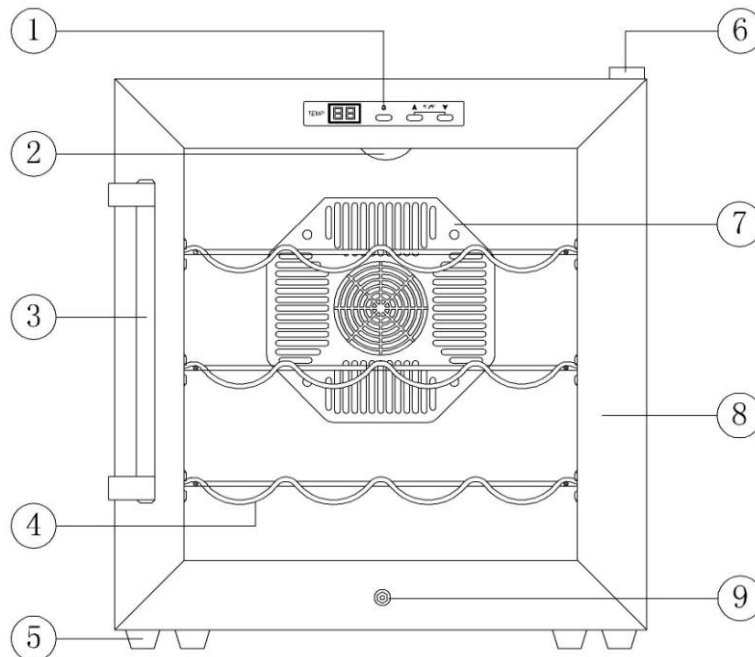
READ ALL INSTRUCTIONS BEFORE USING THIS WINE COOLER

- Do not use if power supply cord is damaged. If damaged, it must be replaced by the manufacturer or a qualified person.
- This wine cooler is not intended for use by young children or infirm persons without supervision. Young children must be supervised to ensure they do not play with the appliance.
- Ensure the cooler is unplugged before cleaning or not in use.
- To clean the cooler, use only mild detergents or glass cleaning products. Never use harsh detergents or solvents.
- It is not recommended to use this wine cooler with an extension cord or power board. Please ensure that the appliance is plugged directly into the electrical outlet.
- When positioning the wine cooler, ensure that there is at least a 2" clearance at the sides and a 4" clearance at the back. This will allow for adequate ventilation for the heat produced by the wine cooler.
- This cooler is designed to store wine bottles. If food is stored inside, ensure that there is sufficient airflow between items. Please note that the temperature range for this cooler is optimized for wine and beverage storage. Perishable food items may require different storage environment.
- Do not place hot food or drink into the wine cooler.
- Close the cooler door immediately after putting in any items so the inside temperature will not rise dramatically.
- Keep appliance away from any heat source or direct sunlight.
- For a stable installation, make sure the appliance is placed on a flat, level and solid surface.
- Make sure the surface on which the wine cooler is placed is strong enough to hold the wine cooler and the items stored inside.
- Do not place any objects on top of the wine cooler.
- The wine cooler is an electrical appliance. To avoid injury or death from electrical shock do not operate the Wine Cooler with wet hands, while standing on a wet surface or while standing in water.
- Do not use outdoors or in wet conditions.
- When positioned or moving the appliance ensure that it is not turned up side down or 45° or more off level.
- Never pull the cord to disconnect it from the outlet. Grasp the plug and pull it from the outlet.
- Never lift or carry the wine cooler by the power cord.
- This wine cooler is designed for household, non-commercial use only. Any other use will void the warranty.
- Do not plug into the power socket before set up is completed.
- An empty cooler can be a dangerous for children. If disposing of the cooler remove gaskets, latches, lids or the entire door from your

unused appliance, or take other action to ensure the cooler is harmless.

- If you wine cooler is equipped with lock and keys, take care to keep keys away from children.
- Do you cut or remove the ground prong from the power cord.
- Do not move this appliance without emptying it and securing the door in a closed position.

1. Parts and Features



- | | | |
|------------------|---------------|----------------|
| 1. Control Panel | 2. Light | 3. Handle |
| 4. Shelf | 5. Foot | 6. Hinge Cover |
| 7. Fan Mask | 8. Glass Door | 9. Lock |

Note: Your specific model of SNO wine cooler may differ slightly from the diagram above but its operation is essentially the same.

2. Installation

Handle Installation

Your wine cooler comes with a towel bar style handle. To install the handle, you will need a Phillips head screwdriver.

Look at the left side of the door frame, facing onwards. There are two small holes in the frame. Take the handle and hold it up to the door frame so that the holes in the handle line up with the holes in door frame. While holding the handle with one hand, insert a screw through the top hole and screw it into the top hole in the door frame. Then insert a screw in the bottom hole in the handle and screw it into the bottom hole in the door frame. Now insert the small 'caps' included into the holes in the handle.

Note: On some models, the handle can be installed in either side of the door frame. To install the handle in the right side of the door frame, use a small flat head screwdriver to pry the caps out of their holes and follow the above instructions.

1. Remove all packaging.
2. Set up the wine cooler on a level surface. Make sure you have at least 4" clearance on each side and 6" clearance in the back for ventilation.
3. Clean the interior surface with warm water and a soft cloth.
4. Insert power cord into a power socket. Make sure the power socket is grounded 115v ~AC / 60 Hz socket.
5. Fill the wine cooler with your choice of wine bottles. Allow up to 24 hours of operation for the bottles to reach the desired temperature.

3. Operation Guide

Temperature Control

Use the temperature adjustment buttons on the control panel to change the set temperature. Press the "▼" button to lower the temperature or "▲" button to raise the temperature.

NOTE: To switch the display between Celsius and Fahrenheit press both "▲" and "▼" buttons simultaneously and hold for 3 seconds.

The temperature inside the wine cooler is dependant on the ambient temperature (room temperature) outside the wine cooler. The wine cooler temperature can range between 52 -65 degrees F.

In red wine setting, the temperature range should be between 57 - 61 F and in white wine setting, the temperature range should be 54- 57 F. **This is based on an ambient room temperature of 77F.**

Interior Light

Your wine cooler has an interior light with on/off button. Turn the light on or off by pressing the button

Door Lock

Your wine cooler has a factory installed lock with keys. To lock the wine cooler, insert the key into the lock and turn it counter clockwise until the metal tab is fully extended. To unlock the wine cooler, insert the key into the lock and turn it clockwise until the metal tab is fully retracted.

Caution: Make sure to keep the key in a safe place and out of reach of children.

Levelling Legs

Your wine cooler comes with four levelling legs. To adjust these legs, carefully lean the wine cooler to one side (make sure it is emptied and the door is secured) and unscrew the legs to make them longer. Screw the legs tighter to make them shorter.

Note: This wine cooler is not designed to operate without the levelling legs.

Bottle Capacity

The bottle capacity listed for your wine cooler is an estimated maximum capacity based on a standard 750ml wine bottle. For other size bottles, the capacity will vary.

Wine Racks

The wine racks have a top and a bottom. If you are having trouble fitting the stated listed number of bottles of wine in the wine cooler, try flipping the wine racks over. Please note that some models of wine coolers may have more slots for racks than the number of racks provided.

Reversing the Door Swing

Some of our Whynter SNO wine cooler comes with the hinges factory installed on the right side, so the door opens from the left side, swinging open to the right. The hinges can be reversed, to swing open from the right to left. To reverse the hinges, you need a flat head screwdriver and a Phillips head screwdriver.

Cleaning

- Turn the power off and unplug the wine cooler.
- Remove all items from the wine cooler.
- Wipe the inside and outside surface with a mild cleaner.
- Wash the wine racks with a mild cleaner.
- Dry any wet parts with a soft cloth.

Transport the Wine Cooler

The ideal packaging for the wine cooler is its original packaging. Please keep the original packaging handy and repack the wine cooler if you need to transport the unit.

Energy Saving Tips

Do not locate the wine cooler in direct sunlight or any heat generating sources.

Let any hot/ warm items cool before placing them in the wine cooler.

3. Technical Data

	WC-16S	WC-28S
Maximum Capacity:	16 standard wine bottles	28 standard wine bottles
Temperature Control:	Electric Control	Electric Control
Input Power:	120 Volts / 60 Hertz	120 Volts / 60 Hertz
Power Consumption:	75 Watts / 0.95 Amps	75 Watts / 0.95 Amps
Net Weight:	30 lbs	45 lbs
Dimensions:	20"H x 17"W x 18.5"D Add 1.5" in depth with handle installed	28.5" H x 17.7" W x 20.5"D Add 1 5/8" in depth with handle installed

4. Troubleshooting

Symptoms	Possible causes	Solutions
The wine cooler does not turn on.	There is a power failure. The cooler is not plugged in. A house fuse has blown or the circuit breaker is tripped.	Ensure the cooler is plugged in and the power outlet has power. Replace the broken fuse or reset the breaker.
The wine cooler is not reaching the desired temperature.	The cooler is placed too close to a heat source. The cooler does not have sufficient ventilation. The door is opened too frequently or for a long period of time.	Keep the cooler away from sunshine or other heat sources. Make sure the wine cooler has several inches of ventilation on the sides and back. Close the door tightly and do not open the door too frequently or for a long period of time.
Frost forming in the wine cooler.	The environment is too humid. The ambient temperature is too low. The door is opened too frequently or for a long period of time.	Although this unit uses an auto-defrost system, under certain conditions, manual defrosting may be required. If frost builds up, try running the cooler on a warmer temperature setting. Close the door tightly and do not open the door too frequently or for a long period of time. Unplug the unit to allow the frost to melt.
The wine cooler turns on and off frequently.	The room temperature is higher than the recommended ambient temperature (77 F). The door is being opened often. The door is not completely closed. The door gasket is not sealing properly. The cooler does not have the suggested ventilation.	Run the wine cooler in the appropriate ambient temperature. Minimize the number of times the door is opened. Make sure the door is completely closed. Make sure the door gasket is properly sealed. Make sure the cooler has at least 2" on the sides and 4" in the back for clearance.
The wine cooler makes too much noise.	If the noise is from the fan, it may be normal operating noise. The unit is not level. Popping or cracking noises are coming from the unit.	The fan makes normal fan noises. Make sure the cooler is on a level surface. Some popping or cracking noises are normal. They are caused by expansion and contraction of the inside walls due to temperature changes.
The door will not shut properly.	The unit is not level. The door gasket is dirty. The door gasket is malformed. The shelves are incorrectly installed.	Make sure the cooler is on a level surface. Clean the door gasket. Make sure the door gasket is properly sealing. Correctly install the shelves.

ONE YEAR LIMITED WARRANTY

This WHYNTER SNO wine cooler is warranted, to the original owner, for one year from the date of purchase against defects in material and workmanship under normal use and service. Should your SNO wine cooler prove defective within one year from the date of purchase, return the defective part or unit, freight prepaid (within two months of purchase; after two months to one year, customer will be responsible for freight cost to Whynter's service department), along with an explanation of the claim to Whynter Innovations Group. Please package your SNO wine cooler carefully in its original packaging material to avoid damage in transit. Please retain original box and packaging material. Under this warranty, Whynter Innovations Group will repair or replace any parts found defective. This warranty is not transferable. After the expiration of the warranty, the cost of the labor and parts will be responsibility of the original owner of the unit.

THIS WARRANTY DOES NOT COVER:

- Acts of God, such as fire, flood, hurricanes, earthquakes and tornadoes.
- Damage, accidental or other wise, to the wine cooler while in the possession of a consumer not caused by a defect in material or workmanship;
- Damage caused by consumer misuse, tampering, or failure to follow the care and special handling provisions in the instructions.
- Damage to the finish of the case, or other appearance parts caused by wear.
 - 1) Filter.
 - 2) Damage caused by repairs or alterations of the wine cooler by anyone other than authorized by the manufacturer.
 - 3) Freight and Insurance cost for the warranty service.

To obtain service or information, contact
Whynter Innovations Group via Email at
service@whynter.com or call 866-WHYNTER.

Free Manuals Download Website

<http://myh66.com>

<http://usermanuals.us>

<http://www.somanuals.com>

<http://www.4manuals.cc>

<http://www.manual-lib.com>

<http://www.404manual.com>

<http://www.luxmanual.com>

<http://aubethermostatmanual.com>

Golf course search by state

<http://golfingnear.com>

Email search by domain

<http://emailbydomain.com>

Auto manuals search

<http://auto.somanuals.com>

TV manuals search

<http://tv.somanuals.com>