



## WHYNTER 20 Bottle Thermoelectric Wine Cooler

MODEL # : WC-201TD



Thank you for your purchase of this WHYNTER product. Please read this Instruction Manual carefully before using product to ensure proper use. Keep this manual in a safe place for future reference.

## Table of Contents

---

Wine Cooler Safety	3
Important Safe Guides	3-4
Important Safety Instructions	5
Before Using Your Wine Cooler	5
Installation Introduction	5
Parts and Features	6
Installation Instructions	6
Operation Guide	7
Temperature Controls	7
Wine Shelves	7
Electrical Connection	8
Extension Cord	8
Operating your Wine Cooler	9
Recommended Temperature Settings	9
Care and Maintenance	10
Cleaning Your Wine Cooler	10
Premises Power Failure	10
Vacation Time	10
Moving Your Wine Cooler	10
Energy Saving Tips	10
Troubleshooting Guide	11
Warranty Information	12

## Wine Cooler Safety

**Your safety and the safety of others are very important to us.**

To reduce the risk of fire, electrical shocks, or injury when using your Wine Cooler, follow these basic precautions:



This is the Safety Alert Symbol. This symbol alerts you to potential hazards that may result in serious injury. All safety messages will follow the Safety Alert Symbol and either the words "DANGER" or "WARNING".



Danger means that failure to heed this safety statement may result in severe injury or death.



Warning means that failure to heed this safety statement may result in extensive product damage, serious injury, or death.



Caution means that failure to heed this safety statement may result in minor or moderate injury, or property or equipment damage.

All safety messages will alert you to know what the potential hazard is, tell you how to reduce the chance of injury, and let you know what can happen if the instructions are not followed.

---

### IMPORTANT SAFE GUIDES



Before the Wine Cooler is used, it must be properly positioned and installed as described in this manual, please read the manual carefully. To reduce the risk of fire, electrical shock or injury when using the Wine Cooler, follow basic precaution, including the following:



- Plug into a grounded 3-prong outlet, do not remove grounding prong, do not use an adapter, and do not use an extension cord.
- Do not use if the power supply cord is damaged. If damaged, it must be replaced by a qualified electrician.
- It is recommended that a separate circuit, serving only your Wine Cooler be provided. Use receptacles that cannot be turned off by a switch or pull chain.
- Never clean Wine Cooler parts with flammable fluids or harsh chemicals. These fumes can create a fire hazard or explosion.
- Do not store or use gasoline or other flammable vapors and liquids in the vicinity of the Wine Cooler or any other Wine Cooler.
- Before proceeding with cleaning and maintenance operations, make sure to unplug the Wine Cooler.
- Do not connect or disconnect the electric plug with wet hands.
- Do not attempt to repair or replace any part of your Wine Cooler unless it is specifically recommended in this manual. All other servicing should be referred to a qualified technician.

## **WARNING**

- Use two or more people to move and install the Wine Cooler. Failure to do so can result in injury.
- Choose a well-ventilated area with temperatures above 60°F (16°C) and below 90°F (32°C). This Wine Cooler must be installed in an area protected from the element, such as wind, rain, water spray or drips.
- The Wine Cooler should not be located next to ovens, grills or other sources of high heat.
- The Wine Cooler must be installed with all electrical, water and drain connections in accordance with state and local codes.
- The fuse (or circuit breaker) size should be 15 amperes.
- It is important for the Wine Cooler to be leveled in order to work properly. For a stable installation, make sure the Wine Cooler is placed on a flat, level and solid surface.
- Ensure that the surface on which the Wine Cooler is placed is strong enough to hold the Wine Cooler and the items stored inside.
- This Wine Cooler is not intended for use by young children or physically-challenged persons without supervision/assistance. Young children must be supervised to ensure safety around this or any Wine Cooler.
- Do not use solvent-based cleaning agents or abrasives on the interior. These cleaners may damage or discolor the interior.
- Keep fingers out of the “pinch point” areas. Be carefully closing doors when children are in the area.
- This Wine Cooler is designed to store wine bottles. If food is stored inside, ensure that there is sufficient airflow between items. Please note that the temperature range for this cooler is optimized for wine and beverage storage. Perishable food items may require a different storage environment.
- Do not place hot food or beverages into the Wine Cooler.
- Close the Wine Cooler door immediately after putting in any items to keep the internal temperature relatively constant.
- Avoid placing any objects on top of the Wine Cooler.
- The Wine Cooler is an electrical Wine Cooler. To avoid injury from electrical shock do not operate the Wine Cooler with wet hands, while standing on a wet surface or while standing in water. Do not use in outdoors or wet conditions.
- When positioning or moving the Wine Cooler ensure that it is not turned upside down or greater than 45° or more off level.
- Never pull the cord to disconnect it from the outlet. Grasp the plug and pull it from the outlet.
- Never lift, carry or drag the Wine Cooler by the power cord.
- This Wine Cooler is designed for household, non-commercial use only. Any other use will void the warranty.
- Do not plug into the power outlet before set up is completed.
- Do not move this Wine Cooler without emptying it and securing the door in a closed position.

## **IMPORTANT SAFETY INSTRUCTIONS**



To reduce the risk of fire, electrical shock, or injury when using your Wine Cooler, follow these basic precautions:

### **Read all instructions before using your Wine Cooler**

- An empty cooler can be a hazardous for children or small pets. If disposing of the cooler, remove gasket seals, latches, lids or the entire door from your unused Wine Cooler, or take other action to ensure the cooler is harmless.
- Never allow children to operate, play with, or crawl inside the Wine Cooler.
- Never clean Wine Cooler parts with flammable fluids or harsh chemicals. The fumes can create a fire hazard or explosion.
- Do not store or use gasoline or any other flammable vapors and liquids in the vicinity of this or any other Wine Cooler. The fumes can create a fire hazard or explosion.

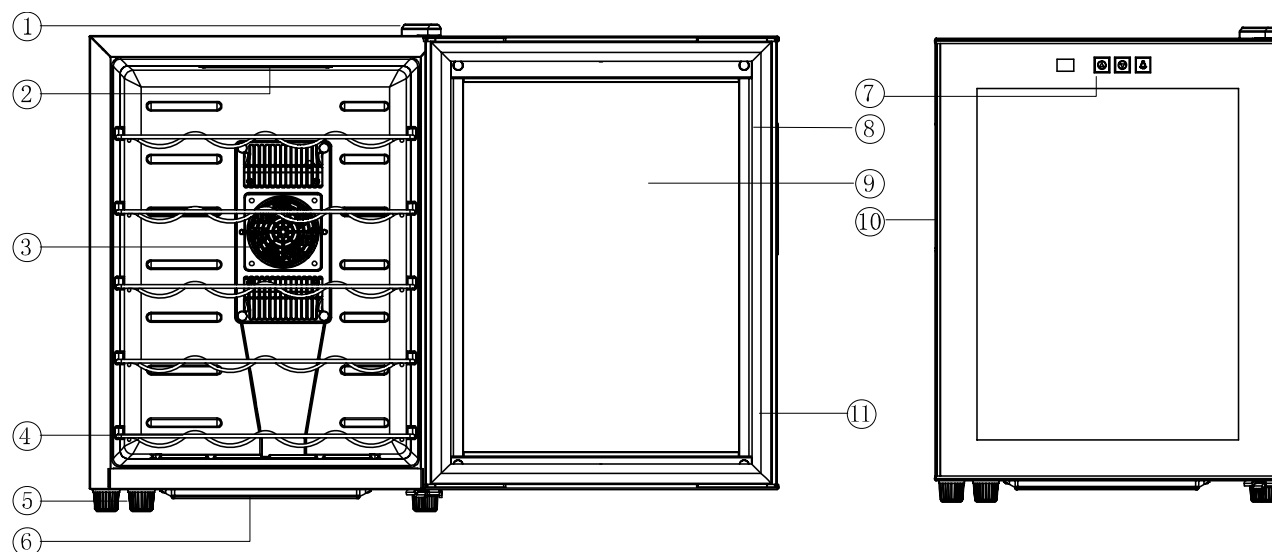
### **Before using your Wine Cooler**

- Remove the exterior and interior packing.
- Before connecting the Wine Cooler to the power source, let it stand upright for approximately 2 hours. This will reduce the possibility of a malfunction in the cooling system from handling during transportation.
- Clean the interior surface with lukewarm water using a soft cloth.

### **Installation Introduction**

- The Wine Cooler is designed to be for free standing installation.
- **WARNING:** Do not store or install the Wine Cooler outdoors.
- **CAUTION:** This Wine Cooler is designed for storing and cooling wines. Do not store perishable food, medicine or other medical products.
- Place your Wine Cooler on a hard and level floor that is strong enough to support it when it is fully loaded.
- To level your Wine Cooler, adjust the leveling legs at the bottom of the Wine Cooler if needed. We do not recommend installing the Wine Cooler on carpet.
- For free standing installation, 6" of space from the back and 4" from both sides of the Wine Cooler are suggested. NOTE: DO NOT install the Wine Cooler near an oven or other heating source. Direct sunlight may affect the acrylic coating and heat sources may increase electrical consumption. For best performance, do not install the Wine Cooler behind a cabinet door or block the vents.
- Avoid locating the Wine Cooler in area that may be exposed to excessive moisture.
- Plug in the Wine Cooler into an exclusive, grounded wall power outlet. Do not under any circumstances cut or remove the third (ground) prong from the power cord. Any questions concerning power and/or grounding should be directed toward a qualified electrician or an authorized service center.

## Parts and Features



- |   |             |    |                    |
|---|-------------|----|--------------------|
| 1 | Hinge Cover | 7  | Light Switch       |
| 2 | Light       | 8  | Magnetic Door Seal |
| 3 | Fan Mask    | 9  | Glass              |
| 4 | Shelf       | 10 | Door Handle        |
| 5 | Foot        | 11 | Door Frame         |
| 6 | Water Box   |    |                    |

**Note:** Your specific model of Wine Cooler may differ slightly from the diagram above but its operation is essentially the same.

## Installation

1. Remove all packaging.
2. Set up the Wine Cooler on a level surface. Make sure you have at least 4" clearance on each side and 6" clearance in the back for ventilation.
3. Clean the interior surface with warm water and a soft cloth.
4. Insert power cord into a power socket. Make sure the power socket is grounded 110v ~AC / 60 Hz socket.
5. Fill the Wine Cooler with your choice of wine bottles. Allow up to 24 hours of operation for the bottles to reach the desired temperature.

## **Operation Guide**

### **Temperature Controls**

Use the temperature adjustment buttons on the control panel to change the set temperature. Press the “▼” button to lower the temperature or “▲” button to raise the temperature.

The temperature inside the Wine Cooler is dependent on the ambient temperature (room temperature). The Wine Cooler temperature range is between 46 -65 degrees F.

In red wine setting, the temperature range should be between 57 - 61 F and in white wine setting, the temperature range should be 54- 57 F. **This is based on an ambient room temperature of 77F.**

### **Interior Light**

Your Wine Cooler has an interior light with on/off button. Turn the light on or off by pressing the button

### **Levelling Legs**

Your Wine Cooler has 3 large levelling legs and 1 small levelling leg under the door hinge. To adjust these legs, carefully lean the Wine Cooler to one side (make sure it is emptied and the door is secured) and unscrew the legs to make them longer. Screw the legs tighter to make them shorter.

**Note:** This Wine Cooler is not designed to operate without the levelling legs.

### **Bottle Capacity**

The 20 bottle capacity listed for your Wine Cooler is an estimated maximum capacity base on a standard 750ml wine bottle. For other size bottles, the capacity will vary.

### **Wine Shelves**

This Wine Cooler is equipped with 5 scalloped stainless shelves from top to bottom. If you are having trouble fitting the stated listed number of bottles of wine in the Wine Cooler, try flipping the wine racks over. Please note that some models of Wine Coolers may have more slots for racks than the number of racks provided. To prevent damage to the door gasket, make sure the door is all the way opened when pulling the shelves out.

- For easy access of the wine bottles, you must pull the shelves approximately  $\frac{1}{3}$  out of the railing.
- When removing the shelves out of the railing, make sure to remove all items first.
- To remove the shelves, pull the shelf forward through the rail carefully

### **Transport the Wine Cooler**

The ideal packaging for the Wine Cooler is its original packaging. Please keep the original packaging handy and repack the Wine Cooler if you need to transport the unit.

## **Technical Data**

Model number:	WC-201TD
Maximum Capacity:	20 standard wine bottles
Temperature Control:	Electric Control
Input Power:	120 Volts / 60 Hertz
Power Consumption:	75 Watts / 1.0 Amps
Net Weight:	33 lbs
Dimensions:	22"H x 16"W x 20.5"D

### **Electrical Connection**

Improper use of the grounded plug can result in the risk of electrical shock. If the power cord is damaged, have it replaced by a qualified electrician or an authorized service center.

This Wine Cooler requires a standard 115/120 Volt AC ~/60Hz electrical ground outlet with three-prong. Have the wall outlet and circuit checked by a qualified electrician to make sure the outlet is properly grounded. The cord should be secured behind the Wine Cooler and not left exposed or dangling to prevent accidental injury.

The Wine Cooler should always be plugged into its own individual electrical outlet which has a voltage rating that matches the rating label on the Wine Cooler. This provides the best performance and also prevent overloading house wiring circuits that could cause a fire hazard from overheated. Never unplug the Wine Cooler by pulling the power cord. Always grip the plug firmly and pull straight out from the receptacle. Repair or replace immediately all power cords that have become frayed or otherwise damaged. Do not use a cord that shows cracks or abrasion damage along its length or at either end. When moving the Wine Cooler, be careful not to damage the power cord.

### **Extension Cord**

Because of potential safety hazards, it is strongly recommended that you do not use an extension cord with this Wine Cooler. However, if you must use an extension cord it is absolutely necessary that it be a UL/CUL-Listed, 3-wire grounding type Wine Cooler extension cord having a grounding type plug and outlet and that the electrical rating of the cord be 115 volts and at least 10 amperes.



## **Operating your Wine Cooler**

It is recommended you install the Wine Cooler in a place where the ambient temperature is between 70°-78°F. If the ambient temperature is above or below recommended temperatures, the performance may be affected. For example, placing your Wine Cooler in extreme cold or hot conditions may cause interior temperatures to fluctuate.

### **Recommended Temperature Settings**

Conservation	10 ~ 14°C	49 ~ 57°F
Red Wines	15 ~ 22°C	58 ~ 72°F
Dry/White Wines	9 ~ 14°C	48 ~ 57°F
Rose Wines	10 ~ 11°C	49 ~ 51°F

- Whether your Wine Cooler can reach the actual set temperature depends on the ambient environmental conditions, such as temperature and humidity

**Note:**

- If the Wine Cooler is unplugged, encounter power lost, or turned off; you must wait 3 to 5 minutes before restarting the Wine Cooler.
- When the Wine Cooler is used for the first time or restarted after having been shut off for a long time, there could be a few degrees variance between the temperature you select and the one indicated on the display. This is normal and it is due to the length of the inactivation time.

## Care and Maintenance

### Cleaning your Wine Cooler

- Turn off the power, unplug the Wine Cooler, and remove all items including shelves.
- Wipe the interior with a warm water and baking soda solution. The solution should be about 2 tablespoons of baking soda to one quart of water.
- Wipe the shelves with a mild detergent solution.
- Wipe the outside cabinet with warm water and mild liquid detergent.
- Do not use steel wool or steel brush on the stainless steel. These will erode the stainless steel and rusting may occur.



**Failure to unplug the Wine Cooler could result in electrical shock or personal injury.**

### Premises Power Failure

- If a power failure occurs, the Wine Cooler will automatically reset to its factory setting.
- Most power failures are corrected within a few hours and should not affect the temperature of your Wine Cooler if you minimize the number of times the door is opened. If the power is going to be out for an extended period of time, you need to take the proper steps to protect your contents.

### Vacation Time

- **Short vacations:** Leave the Wine Cooler operating during vacations of less than two days
- **Long vacations:** If the Wine Cooler will not be used for an extended period, remove all items and turn off the Wine Cooler. Clean and dry the interior thoroughly.

### Moving your Wine Cooler

- Remove all items inside the Wine Cooler.
- Securely tape down (we recommend using painter's tape) all loose items (shelves) inside your Wine Cooler.
- Turn the adjustable leg up to the base to avoid damage.
- Tape (we recommend using painter's tape) the door shut.
- Be sure the Wine Cooler stays secure in the upright position during transportation and protect the exterior of Wine Cooler with a blanket, or similar item.

### Energy Saving Tips

- The Wine Cooler should be located in the coolest area of the room, away from heat producing Wine Coolers, and out of any direct sunlight.
- Ensure that the Wine Cooler is adequately ventilated. Never obstruct the air vents.
- Close the door tightly and do not open the Wine Cooler too frequently or for a long period of time.

## Troubleshooting Guide

Most common problems can be resolved by referring to the troubleshooting suggestions listed below.

<b>PROBLEM</b>	<b>POSSIBLE CAUSE</b>	<b>SOLUTIONS</b>
The Wine Cooler does not turn on.	<ul style="list-style-type: none"> <li>• There is a power failure.</li> <li>• The Wine Cooler is not plugged in.</li> <li>• A house fuse has blown or the circuit breaker is tripped.</li> </ul>	<ul style="list-style-type: none"> <li>• Ensure the Wine Cooler is plugged in and the power outlet has power.</li> <li>• Replace the broken fuse or reset the breaker.</li> </ul>
The Wine Cooler is not cold enough.	<ul style="list-style-type: none"> <li>• The set temperature too high.</li> <li>• The Wine Cooler is placed too close to a heat source.</li> <li>• The door is opened too often.</li> <li>• The door is not closed completely.</li> <li>• The door gasket does not seal properly.</li> <li>• The front bottom grille does not have sufficient ventilation.</li> </ul>	<ul style="list-style-type: none"> <li>• Adjust the set temperature</li> <li>• Keep the Wine Cooler away from sunshine or other heat sources.</li> <li>• Close the door tightly and do not open the door too frequently or for a long period of time.</li> <li>• Ensure the door gasket is not loose. The front bottom grille must be completely unobstructed.</li> </ul>
The Wine Cooler is cooling too much	<ul style="list-style-type: none"> <li>• The Wine Cooler ventilation is not properly set</li> <li>• There is an obstruction of air flow</li> </ul>	<ul style="list-style-type: none"> <li>• Make sure to follow the recommended clearances for ventilation</li> <li>• Make sure that no object is blocking the air flow</li> </ul>
The Wine Cooler turns on and off frequently.	<ul style="list-style-type: none"> <li>• The ambient (room) temperature is too low or high.</li> <li>• A large amount of contents has been added to the Wine Cooler.</li> <li>• The door is opened too often.</li> <li>• The door is not closed completely.</li> <li>• The door gasket does not seal properly.</li> </ul>	<ul style="list-style-type: none"> <li>• Decrease or increase the ambient (room) temperature.</li> <li>• To minimize internal temperature fluctuation, do not add large amount of contents at once.</li> <li>• Close the door tightly and do not open the door too frequently or for a long period of time.</li> <li>• Ensure the door gasket is not loose.</li> </ul>
Frost forming in the Wine Cooler.	<ul style="list-style-type: none"> <li>• The environment is too humid.</li> <li>• The ambient temperature is too low.</li> <li>• The door is opened too frequently or for a long period of time.</li> </ul>	<ul style="list-style-type: none"> <li>• Although this unit uses an auto-defrost system, under certain conditions, manual defrosting may be required. If frost builds up, try running the cooler on a warmer temperature setting.</li> <li>• Close the door tightly and do not open the door too frequently or for a long period of time.</li> <li>• Unplug the unit to allow the frost to melt.</li> </ul>
The Wine Cooler makes too much noise.	<ul style="list-style-type: none"> <li>• The Wine Cooler is not level.</li> </ul>	<ul style="list-style-type: none"> <li>• Make sure the unit is on a hard and level surface. Do not place the Wine Cooler on carpet.</li> </ul>
The door does not close properly.	<ul style="list-style-type: none"> <li>• The Wine Cooler is not level.</li> <li>• The door was reversed and not properly installed.</li> <li>• The shelves are out of position.</li> </ul>	<ul style="list-style-type: none"> <li>• Make sure the cooler is on a hard and level surface. Avoid placing the Wine Cooler on a carpeted or soft surface.</li> <li>• Correctly install the shelves.</li> </ul>

## **ONE YEAR LIMITED WARRANTY**

This WHYNTER Wine Cooler is warranted, to the original owner within the 48 continental states, for one year from the date of purchase against defects in material and workmanship under normal use and service. Should your WHYNTER Wine Cooler prove defective within one year from the date of purchase, return the defective part or unit, freight prepaid (within two months of purchase; after two months to one year, customer will be responsible for freight cost to Whynter's service department), along with an explanation of the claim to Whynter LLC. Please package the Wine Cooler carefully in its original packaging material to avoid damage in transit. Please retain the original box and packaging material. Under this warranty, Whynter will repair or replace any parts found defective. This warranty is not transferable. After the expiration of the warranty, the cost of labor and parts will be the responsibility of the original owner of the unit.

### **THIS WARRANTY DOES NOT COVER:**

- Acts of God, such as fire, flood, hurricanes, earthquakes and tornadoes.
- Damage, accidental or otherwise, to the Wine Cooler while in the possession of a consumer not caused by a defect in material or workmanship;
- Damage caused by consumer misuse, tampering, or failure to follow the care and special handling provisions in the instructions.
- Damage to the finish of the case, or other appearance parts caused by wear.
- Damage caused by repairs or alterations to the product by anyone other than authorized by the manufacturer.
- Freight and Insurance cost for the warranty service.

### ***DISCLAIMER OF IMPLIED WARRANTIES; LIMITATION OF REMEDIES***

*CUSTOMER'S SOLE AND EXCLUSIVE REMEDY UNDER THIS LIMITED WARRANTY SHALL BE PRODUCT REPAIR OR REPLACEMENT AS PROVIDED HEREIN. CLAIMS BASED ON IMPLIED WARRANTIES, INCLUDING WARRANTIES OF MERCHANTABILITY OR FITNESS FOR A PARTICULAR PURPOSE, ARE LIMITED TO ONE YEAR OR THE SHORTEST PERIOD ALLOWED BY LAW, BUT NOT LESS THAN ONE YEAR. WHYNTER SHALL NOT BE LIABLE FOR CONSEQUENTIAL OR INCIDENTAL DAMAGES SUCH AS PROPERTY DAMAGE AND INCIDENTAL EXPENSES RESULTING FROM ANY BREACH OF THIS WRITTEN LIMITED WARRANTY OR ANY IMPLIED WARRANTY. SOME STATES AND PROVINCES DO NOT ALLOW THE EXCLUSION OR LIMITATION OF INCIDENTAL OR CONSEQUENTIAL DAMAGES, OR LIMITATIONS ON THE DURATION OF IMPLIED WARRANTIES, SO THESE LIMITATIONS OR EXCLUSIONS MAY NOT APPLY TO YOU. THIS WRITTEN WARRANTY GIVES YOU SPECIFIC LEGAL RIGHTS. YOU MAY ALSO HAVE OTHER RIGHTS THAT VARY FROM STATE TO STATE.*

To obtain service or information, contact  
Whynter LLC via email at [service@whynter.com](mailto:service@whynter.com) or call  
866-WHYNTER.

Product contents and specifications may change without notice.  
Copyright © 2013 Whynter LLC  
[www.Whynter.com](http://www.Whynter.com)

## Free Manuals Download Website

<http://myh66.com>

<http://usermanuals.us>

<http://www.somanuals.com>

<http://www.4manuals.cc>

<http://www.manual-lib.com>

<http://www.404manual.com>

<http://www.luxmanual.com>

<http://aubethermostatmanual.com>

Golf course search by state

<http://golfingnear.com>

Email search by domain

<http://emailbydomain.com>

Auto manuals search

<http://auto.somanuals.com>

TV manuals search

<http://tv.somanuals.com>