



Vented Hearth Heaters

Enjoy instant warmth plus lower heating cost with a traditional enclosed or fireplace-look heater!

New glass-front "fireplace-look" or enclosed vented hearth heaters provide comfort for hard-to-heat areas. Our vented hearth heaters are designed to give you maximum efficiency, low fuel consumption and quiet operation.

We have a compact enclosed model for smaller rooms that is both economical to purchase and operate.



Enclosed Front
35,000-65,000 Btu/hr



35,000-65,000 Btu/hr

Design Features

- No electricity required
- Burners engineered for quiet ignition and maximum heat efficiency
- Louvered-top design and front grille for improved heat circulation
- Factory-installed ceramic fiber logs (fireplace model)
- Natural and propane gas models (Conversion kit available)
- "Matchless" pilot igniter
- Automatic temperature and safety controls
- Resettable vent-limit safety switch
- Thermostat included, may be wall-mounted or cabinet-mounted



Soft-White
Available in
20,000 Btu/hr



20,000 Btu/hr
Shown

Vented Hearth Heaters

Model Number		Btu/hr Input	Btu/hr Output	Color	Efficiency Percentages		Dimensions			Vent Size	Center Vent to Floor	Shipping Weight (lbs.)
Natural	Propane				Thermal	AFUE	Width	Depth	Height			
ENCLOSED FRONT MODELS												
2001622	2001621	20,000	16,000	Black	80.0	73.0	23"	11"	21½"	3"	17"	45
2001622.3	-	20,000	16,000	White	80.0	73.0	23"	11"	21½"	3"	17"	45
3501522	3501521	35,000	26,250	Black	75.0	68.0	25"	15⅝"	28⅞"	4"	21⅜"	74
* 3501922	3501921	35,000	26,250	Black	75.0	68.0	25"	15⅝"	28⅞"	4"	21⅜"	83
5001522	5001521	50,000	34,500	Black	69.0	64.0	30"	16"	32⅞"	4"	22¾"	103
* 5001922	5001921	50,000	34,500	Black	69.0	64.0	30"	16"	32⅞"	4"	22¾"	112
6501522	6501521	65,000	50,400	Black	78.0	71.0	34"	19⅝"	32⅞"	5"	24¾"	128
* 6501922	6501921	65,000	50,400	Black	78.0	71.0	34"	19⅝"	32⅞"	5"	24¾"	137
GLASS FRONT "FIREPLACE LOOK" MODELS												
3502522	3502521	35,000	26,250	Black	75.0	68.0	25"	15⅝"	28⅞"	4"	21⅜"	81
* 3502922	3502921	35,000	26,250	Black	75.0	68.0	25"	15⅝"	28⅞"	4"	21⅜"	90
5002522	5002521	50,000	34,500	Black	69.0	64.0	30"	16"	32⅞"	4"	22¾"	108
* 5002922	5002921	50,000	34,500	Black	69.0	64.0	30"	16"	32⅞"	4"	22¾"	117
6502522	6502521	65,000	50,400	Black	78.0	71.0	34"	19⅝"	32⅞"	5"	24¾"	135
* 6502922	6502921	65,000	50,400	Black	78.0	71.0	34"	19⅝"	32⅞"	5"	24¾"	144

All models have ½" gas connection · Equipped with blower · All models are rated for 4,500' elevation

Features

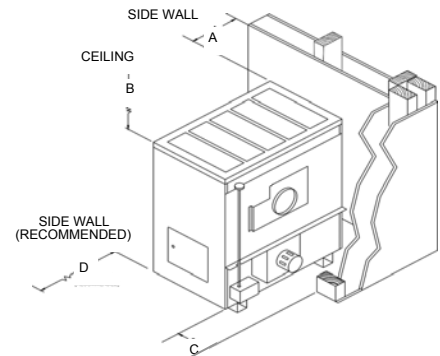
- Contemporary black or white, powder-coat, scratch-resistant finish to complement any décor.
- Equipped with a self-generating, millivolt thermostat that can be wall-mounted or cabinet-mounted.
- 35,000, 50,000 and 65,000 Btu/hr. models are available with a factory installed blower. Blower also available for field installation.

*Requires
No Electricity*

*Great During
Power Outages*

Dimensions and Clearances

Although the vent pipe is not shown, this product must be vented to the outside.



Accessories

Vent Collars

Model	Description	Shipping Weight (lbs)
9101	White for 3" vents	1
9102	Black for 3" vents	1
9104	Black for 4" vents	1
9106	Black for 5" vents	1

Floorboards

Model	Description	Oversized Shipping Weight (lbs)
4163	Black for 50,000 and 65,000 Btu/hr. Models	16
4166	White for 20,000 Btu/hr. Models	10
4167	Black for 20,000 and 35,000 Btu/hr. Models	10

MODEL	A	B	C	D
200 Series	2"	22"	3"	24"
350, 500 & 650 Series	6"	57"	6"	24"

Blower

A heavy-duty, quiet blower is available for larger rooms where faster heat circulation is desired.
150 CFM, 120V. **Model 2102**, shipping weight 9 lbs.
Not for use on 20016 series



Conversion Kits

High-Altitude Models



250 West Laurel Street · Colton, California 92324 USA
(909) 825-0993 · Fax: (909) 370-0581 or (909) 824-8009
Consumer Line: (888) 256-6465
Homeowner Assistance: (909) 426-0978
www.e-wfc.com



Important

- Read owner's manual before using/installing.
- Photographs are representative only.
- Specify propane or natural gas when ordering.
- Check local codes and ordinances for permitted uses.
- Consult installation manual for clearances prior to installation.
- We reserve the right to amend product specifications without notice.
- Installation and servicing recommended by a qualified service person.
- Please read the warranty, for any limitations or disclaimers. Combustion chamber carries a ten-year limited warranty. All other parts carry a one-year limited warranty.
- Venting must comply with the "Venting and Chimney Requirements" section of installation manual.
- Massachusetts approval G3-0305-171



Optional Remote Controls Wireless Thermostats Digital Thermostats

For Use with All Monterey, Direct-Vent Gravity and Console Hearth Heaters



Model:
P332492

Retail List Price
\$220

Wireless Digital Wall Thermostat

Model: P332491

- ❖ Wireless Thermostat or Manual On/Set/Off Operation
- ❖ Wall-Mounted Installation
- ❖ Easy-To-Read LCD Screen
- ❖ Displays Room Temperature in F° or C°
- ❖ Battery Operated

Retail List Price
\$197



Wireless Remote Control

- ❖ Three Functions:
 - On – Off – Thermostat Setting
- ❖ Easy-To-Read LCD Screen
- ❖ Displays Room Temperature in F° or C°
- ❖ Battery Operated
- ❖ Four-Button Control
- ❖ Velvet-Touch Casinq

Digital Wall Thermostat

Model: P332493

- ❖ Wired Thermostat or Manual On/Set/Off Operation
- ❖ Wall-Mounted Installation
- ❖ Easy-To-Read LCD Screen
- ❖ Displays Room Temperature in F° or C°
- ❖ Battery Operated

Retail List Price
\$80

Free Manuals Download Website

<http://myh66.com>

<http://usermanuals.us>

<http://www.somanuals.com>

<http://www.4manuals.cc>

<http://www.manual-lib.com>

<http://www.404manual.com>

<http://www.luxmanual.com>

<http://aubethermostatmanual.com>

Golf course search by state

<http://golfingnear.com>

Email search by domain

<http://emailbydomain.com>

Auto manuals search

<http://auto.somanuals.com>

TV manuals search

<http://tv.somanuals.com>