



Island or Peninsula Mounted Hoods – Install Quick Specs PPN Series Hoods - 30" Depth

Installation Type & Discharge Direction

Ceiling/Island – vertical discharge

Discharge Size off Hood Top

14" x 4 1/4" rectangular

Discharge Transition – purchased separately

See "Ventilation" section for options

Standard Features

- 304 Series, 18 gauge stainless steel
- Halogen lighting (dual 50 watt lamps 36" and 42" widths/four 50 watt lamps 54" width – with Hi/Lo setting)
- Dishwasher safe, heavy aluminum mesh filters
- Adjustable canopy extension for 8' to 10' ceilings **comes standard** with hood
- NOTE: Hood can be installed with or without canopy extension(s).
- All Stainless Steel Finish Hoods can be installed Indoors or Outdoors (see Installation Instructions)
- Widths: 36", 42" and 54"

Finishes

- Stainless Steel (S), White (W)

Optional Accessories

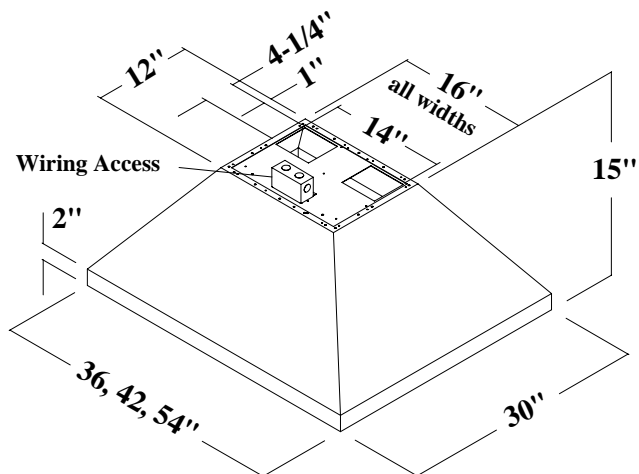
- Chrome or Brass Rolled Pot Rails (Model(s): ACCBRC or ACCBRB) – *indoor use only*

Hood Carton Weight:

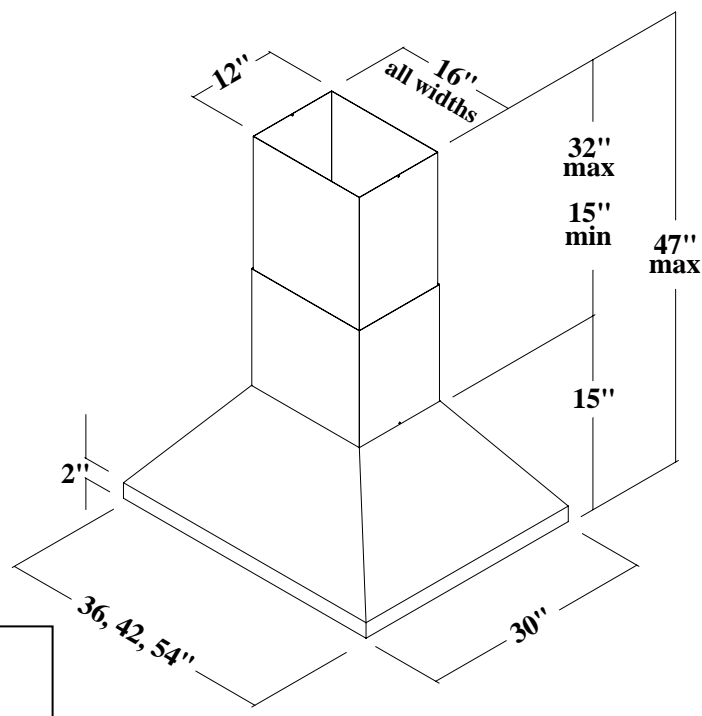
PPN36 = 130 lbs.

PPN42 = 135 lbs.

PPN54 = 142 lbs.



PPN Hood



PPN Hood with Extension

Copyright 2006 Wind Crest by CNP Industries

Install Quick Specs are for planning purposes only. Please refer to the detailed installation instructions, prior to making any cutouts.



Island or Peninsula Mounted Hoods – Install Quick Specs PPN Series Hoods - 30” Depth (cont.)

Maximum Power Supply Required*

15 Amps @ 120 V AC, 60 Hz
20 Amps @ 120 V AC, 60 Hz (when used with
VEN150E remote ventilator)

*Electrical rating is maximum required for any
combination of ventilator and lighting.

Outdoor Electrical Requirements

Damp outdoor installations require a fault
interrupter circuit connection.

Hood Lighting Rating

- 36” and 42” widths: 100 watts w/halogen
lights.
- 54” width: 200 watts w/halogen lights

Ventilator Options

640 CFM, Internal Blower: VEN060I
1000 CFM, Remote Blower: VEN100E
1500 CFM, Remote Blower: VEN150E

Ventilator Motor Ratings

VEN060I: 2.8 Amps @ 120 V AC, 60 Hz
VEN100E: 8 Amps @ 120 V AC, 60 Hz
VEN150E: 12 Amps @ 120 V AC, 60 Hz

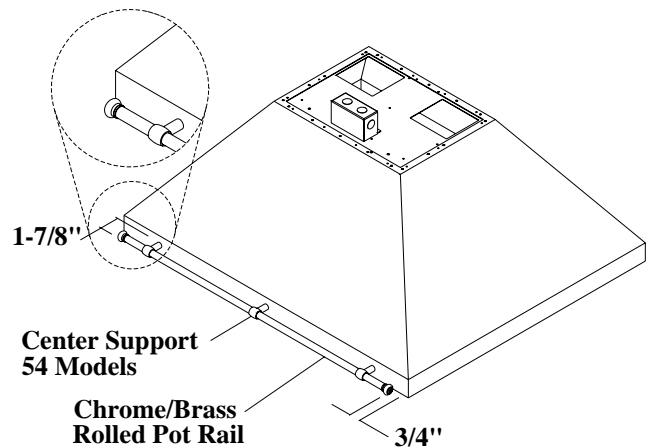
Ventilator Dimensions & Accessory Transitions (see Ventilator section)

CUSTOMER SPECIFICATION:

Hood Width Specified & finish:

(e.g.PPN36S)

Accessories Selected: (e.g. Chrome or brass
rails)



Final Hood Model Selected:

Add Any Accessories:

Specify Ventilator Selected & Transitions:

Free Manuals Download Website

<http://myh66.com>

<http://usermanuals.us>

<http://www.somanuals.com>

<http://www.4manuals.cc>

<http://www.manual-lib.com>

<http://www.404manual.com>

<http://www.luxmanual.com>

<http://aubethermostatmanual.com>

Golf course search by state

<http://golfingnear.com>

Email search by domain

<http://emailbydomain.com>

Auto manuals search

<http://auto.somanuals.com>

TV manuals search

<http://tv.somanuals.com>