



By CNP INDUSTRIES, INC.

P.O. Box 18645 Anaheim, Ca 92817 (877) 387-6721

VENTILATOR VEN140/VEN100 INSTALLATION INSTRUCTIONS

Ventilator Can Be Used For Roof or Wall Mounting

Recommended for use over household gas and electric ranges and cooktops. READ ENTIRE INSTRUCTIONS BEFORE PROCEEDING. Installation must comply with all applicable codes.

IMPORTANT: Save for local electrical inspector's use.

INSTALLER: Please leave these instructions with this unit for the owner.

OWNER: Please retain these instructions for future use.

WARNING: BEFORE INSTALLING OR SERVICING THIS UNIT, SWITCH POWER OFF AT SERVICE PANEL AND LOCK SERVICE DISCONNECTING MEANS TO PREVENT POWER FROM BEING SWITCHED ON ACCIDENTALLY. IF PANEL CANNOT BE LOCKED, SECURELY FASTEN A WARNING TAG TO THE SERVICE PANEL.

CAUTION: To reduce the risk of fire and to properly exhaust air, be sure to exhaust air outside. Do not exhaust air into spaces within walls or ceiling or into attics, crawl spaces or garages.

NOTE: THESE INSTRUCTIONS DESCRIBE THE INSTALLATION OF THE VEN140 OR VEN100 REMOTE VENTILATOR WITH A WIND CREST HOOD. IF USED WITH ANOTHER MANUFACTURER'S HOOD, REFER TO THEIR SPECIFICATIONS FOR POWER REQUIREMENT COMPATABILITY.

VEN140: 1-HP 3-SPEED MOTOR, 115V AC, 60Hz/**20 Amp CIRCUIT REQUIRED** FOR WIND CREST

VEN100: 1/2-HP 3-SPEED MOTOR, 115V AC, 60Hz/**15 Amp CIRCUIT REQUIRED** FOR WIND CREST

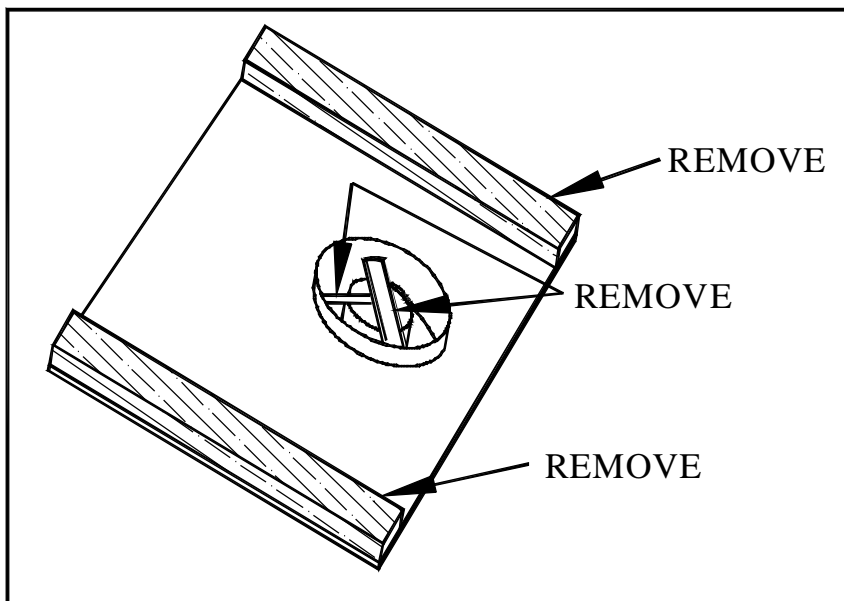
1. Provide square hole through the roof or wall as shown by dash lines for conduit as shown in Fig-2. For reference, location of 10" duct connection and wiring connection is shown with solid lines.
2. Install ventilator on roof or wall, with discharge (screened end) pointing down, according to STANDARD ROOFING PROCEDURES. **Note:** Front discharge edge should be on top of shingles and rear and side edges under shingles. Note: Unit must be sealed between roof or wall and underside of flange with roofing mastic to prevent leaks. For installation on a flat roof, or roofs with pitch of less than 1-1/2" in 12", install ventilator on curb as shown in Fig-3. Position curb on sloping roof with 2" dimension facing down slope. Position curb on flat roofs so that discharge (screened end) points away from prevailing wind.
3. Connect the ventilator to exhaust system with a 10" diameter metal duct only. Use 10" adjustable elbow to adjust to roof angle. Tape and screw all joints to prevent air leaks. See Fig-4.
4. Remove top cover of ventilator to access wiring connections. Retain mounting screws.
5. **Remove shipping bracket per separate instruction.**
6. Run electrical conduit per local code to conduit outlet in bottom plate of ventilator (use liquid tight connection). Other end of conduit will connect to electrical box in your Wind Crest hood. See hood installation instructions for hood wiring location.
7. Run four (4) 16 ga wires in conduit (1-black, 1-white, 1-blue and 1-red) between the ventilator and hood. **Check for local code compliance.** The ground wire should be 16 ga wire. See Fig-6 for wiring details. **Check for local code compliance.**
8. Dimensions of ventilator are shown in Fig-5.
9. **When connecting the hood to power supply**, replace the black-#12 wire and white-#13 wire on hood with the wires supplied with the remote blower.
Power supply for the VEN140 plus hood requires a 120v, 20 amp, 60 Hz circuit, connected per local codes.
10. Rotate ventilator blower wheel to be sure it turns freely and does not rub on motor brackets. Check damper door to be sure it moves freely and spring returns door to closed position.
11. Check screen guard to be sure it is in position and secure. **Check for removal of shipping bracket.**
12. Replace cover removed in Step-4 and secure with screws provided. All screws must be in place on cover.
13. See Fig-1 for typical hood installations.

WindCrest
ATTENTION INSTALLER
VEN100E/140E ONLY

BEFORE INSTALLING THIS BLOWER CONFIRM THAT SERIAL NUMBER ON HOOD TO
BE USED IN THIS INSTALLATION IS GREATOR THAN
#102796

THE SERIAL NUMBER PLATE CAN BE FOUND ON THE LEFT HAND, INSIDE WALL, OF
THE HOOD OR ON THE HOOD CARTON LABEL

IF THE SERIAL NUMBER OF THE HOOD DOES NOT COMPLY WITH THE ABOVE
CONDITION THIS BLOWER CANNOT BE USED WITH THE HOOD.



ATTENTION INSTALLER
REMOVE SHIPPING BRACKET
AND WOOD SUPPORTS
BEFORE INSTALLING

FIG - 1
TYPICAL INSTALLATION

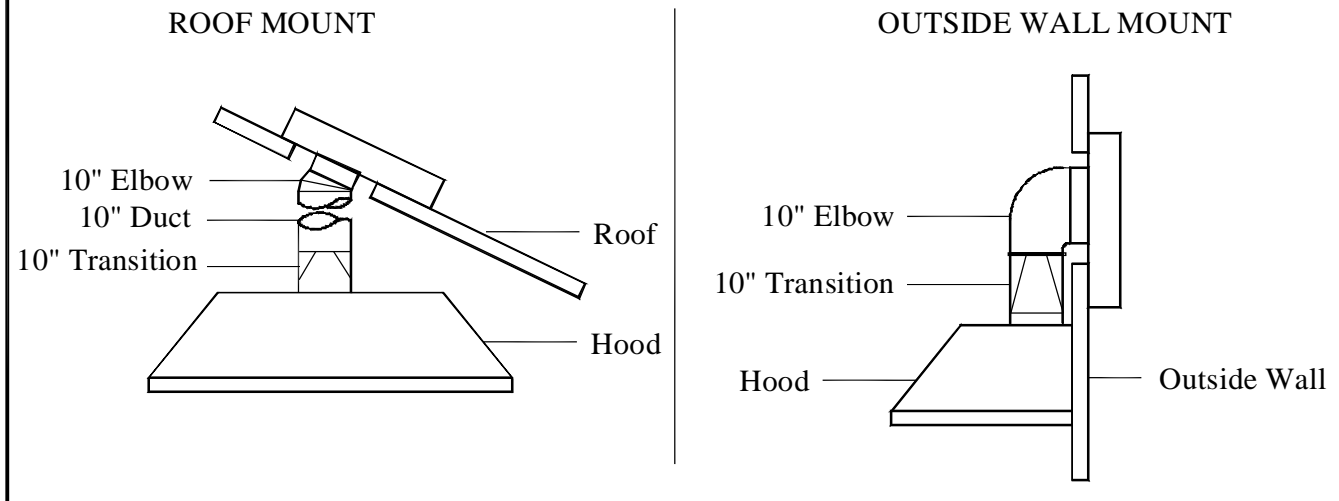


FIG - 2

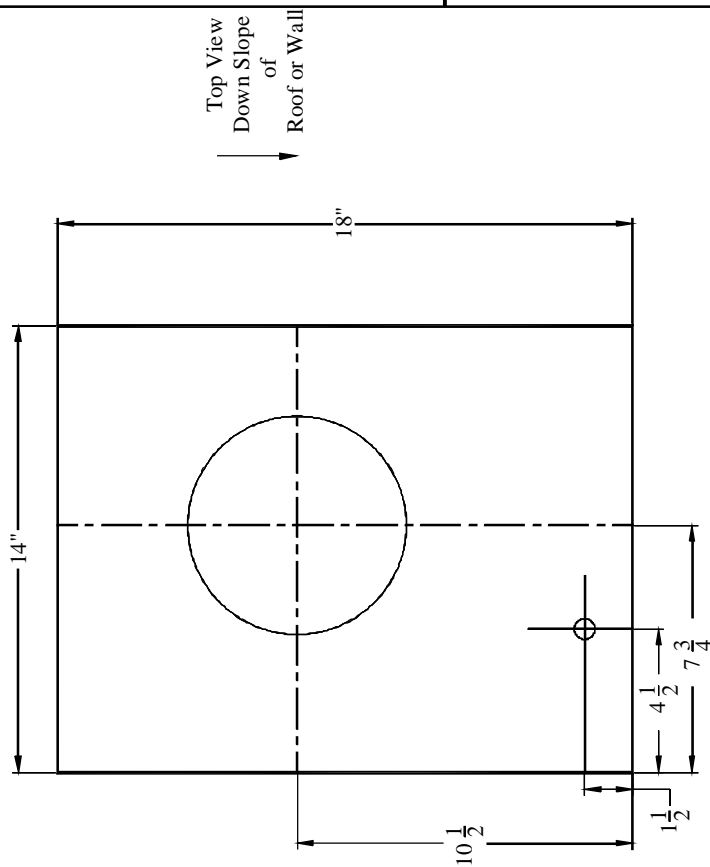


FIG - 3

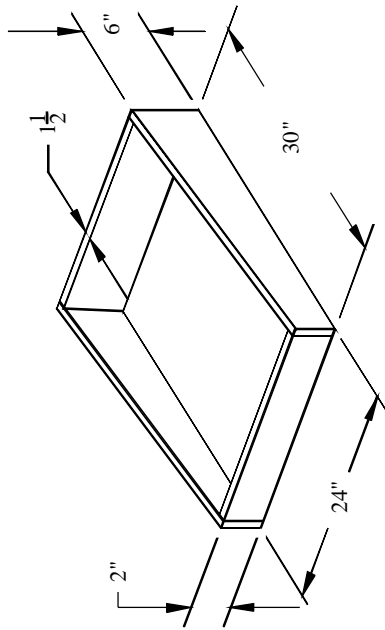


FIG - 5

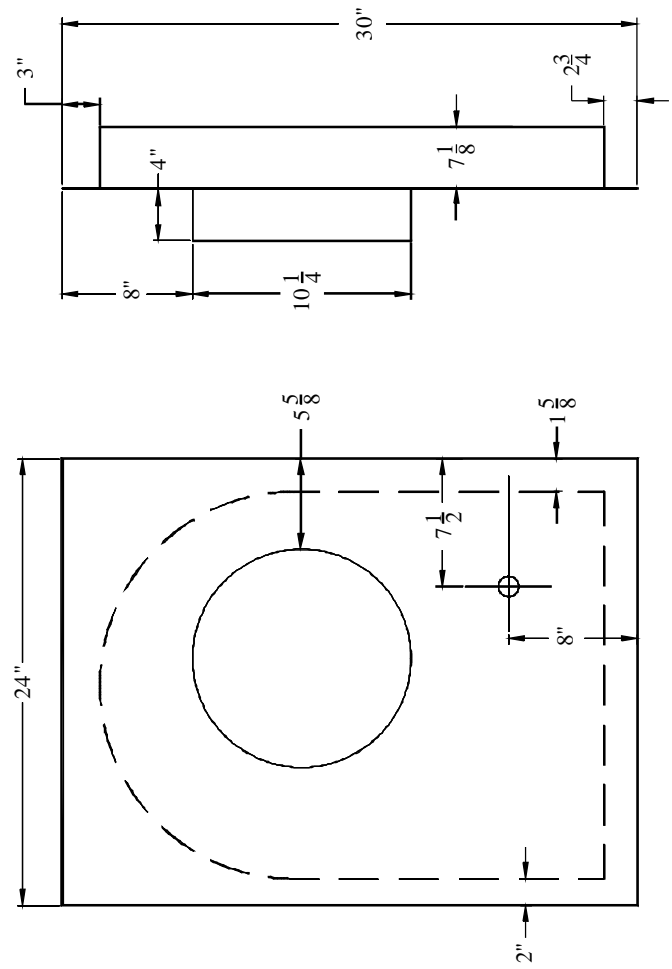
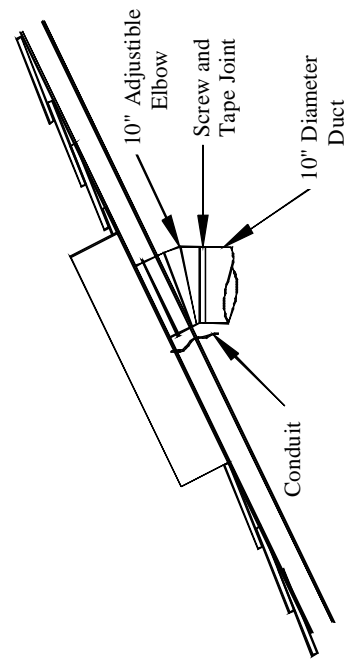
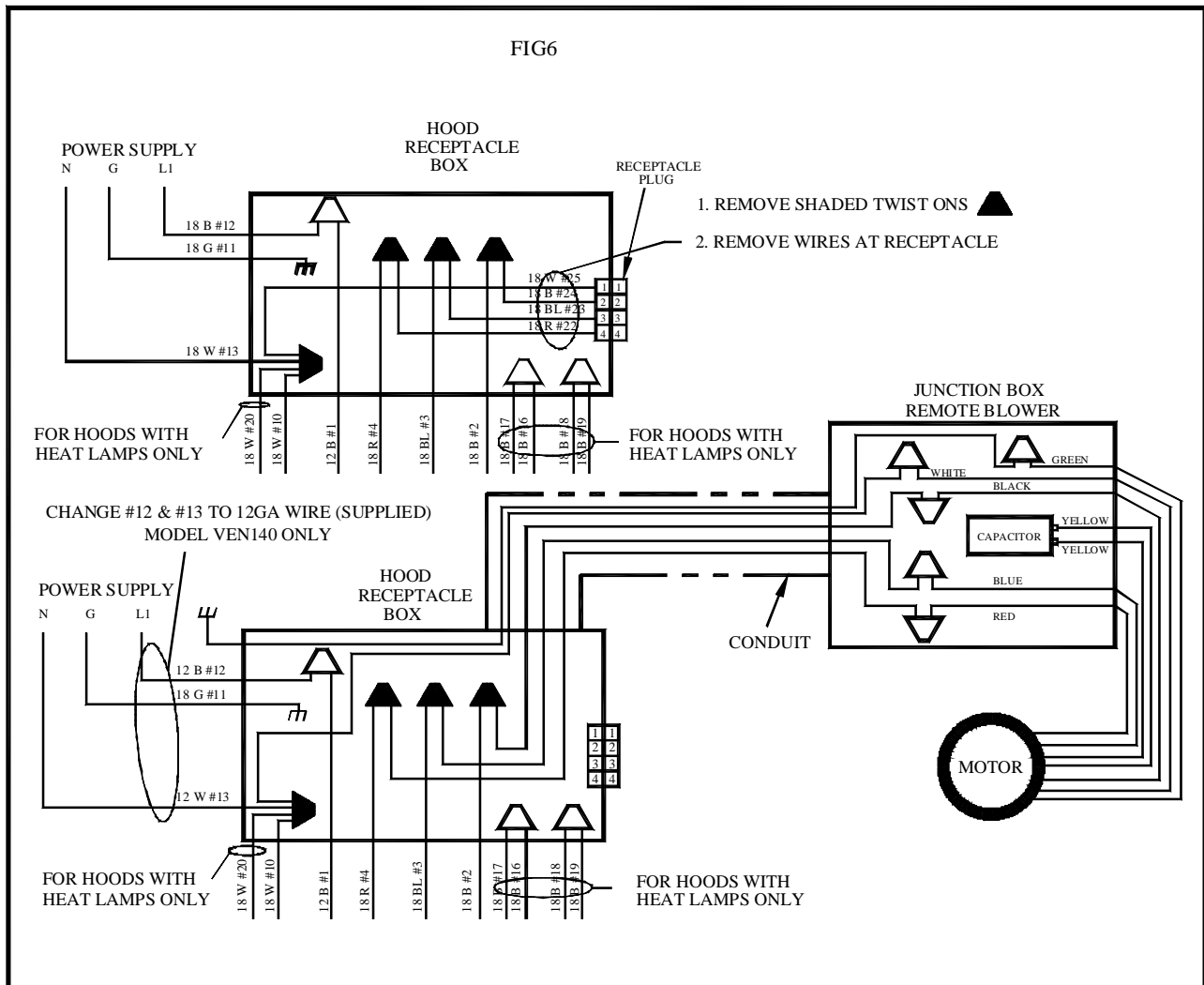


FIG - 4

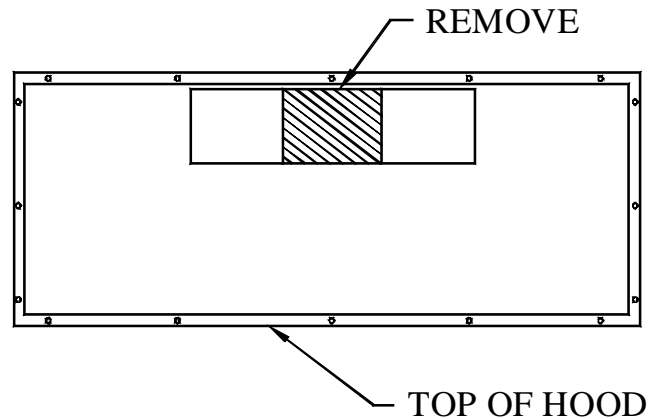




- A. Access the hood junction box, remove the designated twist on connectors, cut the four wires noted at the receptacle and remove the cut wires.
- B. Access the remote blower wiring box by removing the top cover, set aside screws for later use.
- C. Run four wires per local code, in conduit from remote blower to hood.
NOTE: maintain white, black, blue and red color code from blower wiring box to hood connections.
- D. Connect 4-wire from blower to hood with twist-on connectors from step – A; remote white to #13 (including other white wires in connection), remote black to #2 black, remote blue to #3 blue and remote red to #4 red.
NOTE: When connecting the hood to power supply, replace the black #12 wire and white #13 wire on hood with the 12 ga wires supplied with the ventilator. See Fig – 6.
When remote blower is to be grounded to the Power Supply Main Ground use appropriate wire gage per local codes. See Fig – 6.
If the blower is grounded through the Hood the 18 ga Green Pigtail wire at the hood **Must Be Changed to 12 Ga, or Appropriate Wire Gage to Comply With Local Codes.**
CAUTION: To prevent malfunction and/or harm to electrical components, connections are to be made per diagram and instructions.
- E. Check rotation of blower wheel to be sure it rotates freely and does not rub brackets.
- F. Replace blower top cover and screws from step – B.

ATTENTION INSTALLER

THE METAL BRIDGE BETWEEN THE TWO-DISCHARGE HOLES IN TOP OF HOOD MUST BE REMOVED WHEN USING THIS VENTILATOR. SEE INSTALLATION INSTRUCTIONS



WIND CREST ATTENTION INSTALLER

BEFORE INSTALLING THIS BLOWER CONFIRM THAT SERIAL NUMBER ON HOOD TO USED IN THIS INSTALLATION IS GREATER THAN

#102796

THE SERIAL NUMBER PLATE CAN BE FOUND ON THE LEFT HAND INSIDE WALL OF THE HOOD OR ON THE HOOD CARTON LABEL

IF THE SERIAL NUMBER OF THE HOOD DOES NOT COMPLY WITH THE ABOVE CONDITION THIS BLOWER CANNOT BE USED WITH THIS HOOD.

Free Manuals Download Website

<http://myh66.com>

<http://usermanuals.us>

<http://www.somanuals.com>

<http://www.4manuals.cc>

<http://www.manual-lib.com>

<http://www.404manual.com>

<http://www.luxmanual.com>

<http://aubethermostatmanual.com>

Golf course search by state

<http://golfingnear.com>

Email search by domain

<http://emailbydomain.com>

Auto manuals search

<http://auto.somanuals.com>

TV manuals search

<http://tv.somanuals.com>