



## Wall Mounted Hoods – Install Quick Specs WER Series Hoods - 24" Depth

### Installation Type & Discharge Direction

Wall – vertical discharge

### Discharge Size off Hood Top

14" x 4 1/4" rectangular

### Discharge Transition – purchased separately

See "Ventilation" section for options

### Standard Features

- 304 Series, 18 gauge stainless steel
- Halogen lighting (dual 50 watt lamps 36" to 48" widths/four 50 watt lamps 60" width – with Hi/Lo setting)
- Dishwasher safe, heavy aluminum mesh filters
- All Stainless Steel Finish Hoods can be installed Indoors or Outdoors (see Installation Instructions)
- Widths: 36", 42", 48" and 60"

### Finishes

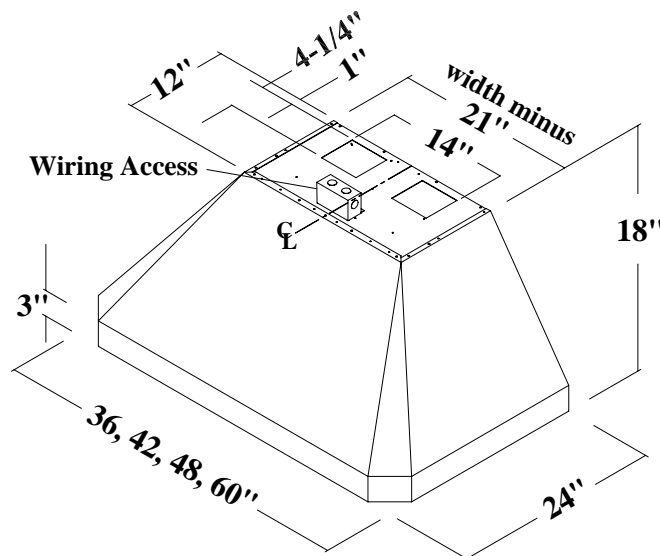
- Stainless Steel (S), White (W), Essence of Copper (E) and Pewter (P)

### Optional Upgrades

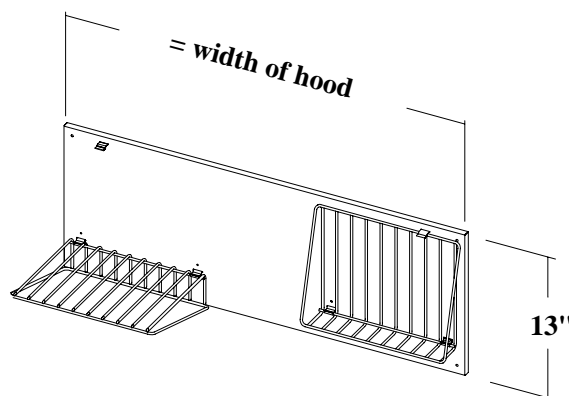
- 250 Watt Heat Lamp Fixtures (add "H" to hood model number) e.g. WER364SH
- 6" or 12" Canopy Extensions in matching finish (Model(s): 6EC36S or 12EC36S for 36" wide hood in stainless steel finish).  
NOTE: Specify desired canopy height, width and finish when ordering.
- Chrome or Brass Rolled Pot Rails (Model(s): ACCBRC or ACCBRB) – *indoor use only*
- Stainless Steel Back Splash with drop-down chrome racks supports a maximum of 30 lbs. (BS plus width – e.g. BS36)

### Hood Carton Weight:

WER364 = 58 lbs.    WER484 = 72 lbs.  
WER424 = 65 lbs.    WER604 = 85 lbs.



WER Hoods



"BS" Warming Shelf  
Accessory with Chrome Racks

**Wall Mounted Hoods – Install Quick Specs  
WER Series Hoods - 24" Depth (cont.)**

**Maximum Power Supply Required\***

15 Amps @ 120 V AC, 60 Hz  
20 Amps @ 120 V AC, 60 Hz (when used with VEN150E remote ventilator)

*\*Electrical rating is maximum required for any combination of ventilator, lighting and heat lamps.*

**Outdoor Electrical Requirements**

Damp outdoor installations require a fault interrupter circuit connection.

**Hood Lighting Rating**

- 36" to 48" widths: 100 watts w/halogen lights or 600 watts w/halogen + heat lamps
- 60" width: 200 watts w/halogen lights or 700 watts w/halogen + heat lamps

**Ventilator Options**

640 CFM, Internal Blower: VEN060I\*\*  
1000 CFM, Remote Blower: VEN100E  
1500 CFM, Remote Blower: VEN150E

**Ventilator Motor Ratings**

VEN060I: 2.8 Amps @ 120 V AC, 60 Hz\*\*  
VEN100E: 8 Amps @ 120 V AC, 60 Hz  
VEN150E: 12 Amps @ 120 V AC, 60 Hz

\*\*Two VEN060I internal ventilators can be installed in WER 60" wide hood. This installation requires part #10220 dual wire harness. Refer to installation instructions for full details.

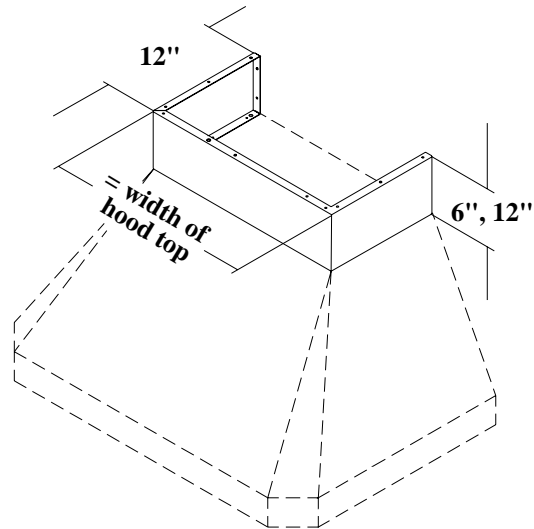
**Ventilator Dimensions & Accessory Transitions (see Ventilator section)**

**CUSTOMER SPECIFICATION:**

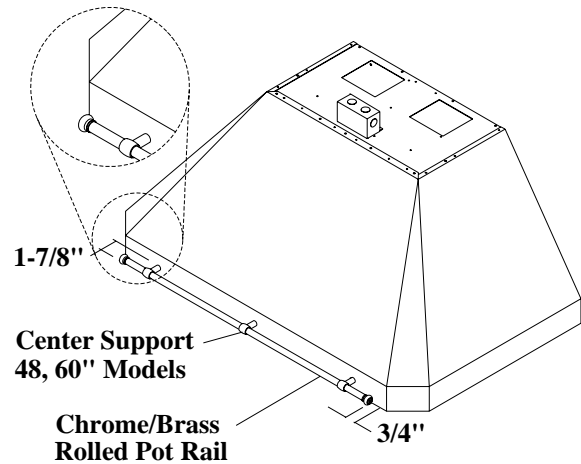
**Hood Width Specified & finish:**  
(e.g. WER364S)

**Add Keep Hot Lamps:** (e.g. WER364SH)

**Accessories Selected:** (e.g. Back splash with racks, chrome or brass rails, canopy extensions)



**"EC" Canopy Extensions (6" or 12" height) for WER hoods**



**Final Hood Model Selected:**

**Add Any Accessories:**

**Specify Ventilator Selected & Transitions:**

## Free Manuals Download Website

<http://myh66.com>

<http://usermanuals.us>

<http://www.somanuals.com>

<http://www.4manuals.cc>

<http://www.manual-lib.com>

<http://www.404manual.com>

<http://www.luxmanual.com>

<http://aubethermostatmanual.com>

Golf course search by state

<http://golfingnear.com>

Email search by domain

<http://emailbydomain.com>

Auto manuals search

<http://auto.somanuals.com>

TV manuals search

<http://tv.somanuals.com>