



Wall Mounted Hoods – Install Quick Specs WSL Series Hoods - 27" Depth

Installation Type & Discharge Direction

Wall – vertical discharge

WSL427 = 88 lbs. WSL607 = 120 lbs.

Discharge Size off Hood Top

14" x 4 1/4" rectangular

Discharge Transition – purchased separately

See "Ventilation" section for options

Standard Features

- 304 Series, 18 gauge stainless steel
- Halogen lighting (dual 50 watt lamps 30" to 48" widths/four 50 watt lamps 54" or greater widths) with Hi/Lo setting
- Commercial-grade, high luster stainless steel baffle filters
- All Stainless Steel Finish Hoods can be installed Indoors or Outdoors (see Installation Instructions)
- Widths: 30" to 60" in 6" increments

Finishes

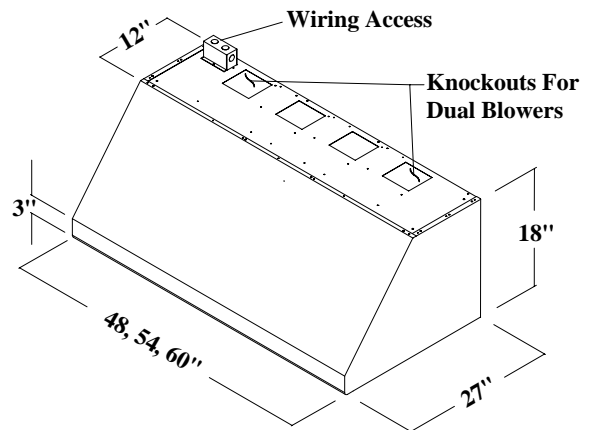
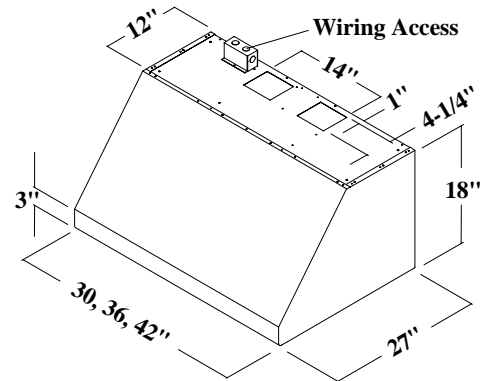
- Stainless Steel (S)
- Stainless Steel with Polished Chrome Accents (SPC)

Optional Upgrades

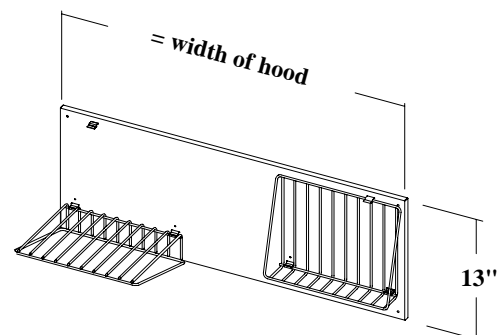
- 250 Watt Heat Lamp Fixtures (add "H" to hood model number) e.g. WSL304SH
- 6" or 12" Canopy Extensions in matching finish (Model(s): 6CE30S or 12CE30S for 30" wide hood in stainless steel finish). NOTE: Specify desired canopy height, width and finish when ordering.
- Chrome or Brass Rolled Pot Rails (Model(s): ACCBRC or ACCBRB) – indoor use only
- Stainless Steel Back Splash with drop-down chrome racks supports a maximum of 30 lbs. (BS plus width – e.g. BS30)

Hood Carton Weight:

WSL307 = 73 lbs. WSL487 = 100 lbs.
WSL367 = 81 lbs. WSL547 = 110 lbs.



WSL Hoods



"BS" Warming Shelf Accessory with Chrome Racks

Copyright 2006 Wind Crest by CNP Industries

Install Quick Specs are for planning purposes only. Please refer to the detailed installation instructions, prior to making any cutouts.



Wall Mounted Hoods – Install Quick Specs WSL Series Hoods - 27” Depth (cont.)

Maximum Power Supply Required*

15 Amps @ 120 V AC, 60 Hz
20 Amps @ 120 V AC, 60 Hz (when used with VEN150E remote ventilator)

*Electrical rating is maximum required for any combination of ventilator, lighting and heat lamps.

Outdoor Electrical Requirements

Damp outdoor installations require a fault interrupter circuit connection.

Hood Lighting Rating

- 30” to 48” widths: 100 watts w/halogen lights or 600 watts w/halogen + heat lamps
- 54” and 60” widths: 200 watts w/halogen lights or 700 watts w/halogen + heat lamps

Ventilator Options

640 CFM, Internal Blower: VEN060I**
1000 CFM, Remote Blower: VEN100E
1500 CFM, Remote Blower: VEN150E

Ventilator Motor Ratings

VEN060I: 2.8 Amps @ 120 V AC, 60 Hz**
VEN100E: 8 Amps @ 120 V AC, 60 Hz
VEN150E: 12 Amps @ 120 V AC, 60 Hz

**Two VEN060I internal ventilators can be installed in WSL hoods 48” or wider. This installation requires part #10220 dual wire harness. Refer to the installation instructions for full details.

Ventilator Dimensions & Accessory Transitions (see Ventilator section)

CUSTOMER SPECIFICATION:

Hood Width Specified & finish:

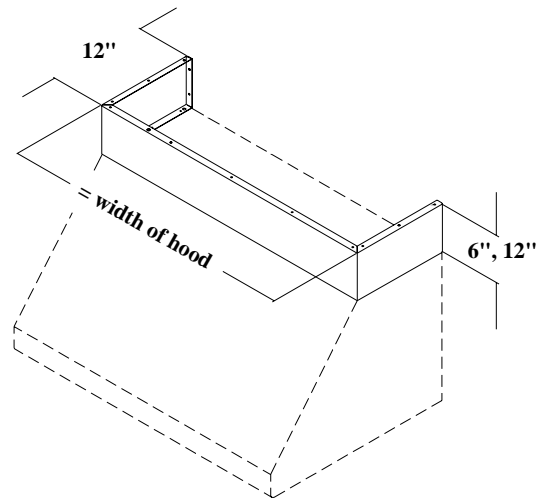
(e.g. WSL304S)

Add Keep Hot Lamps: (e.g. WSL304SH)

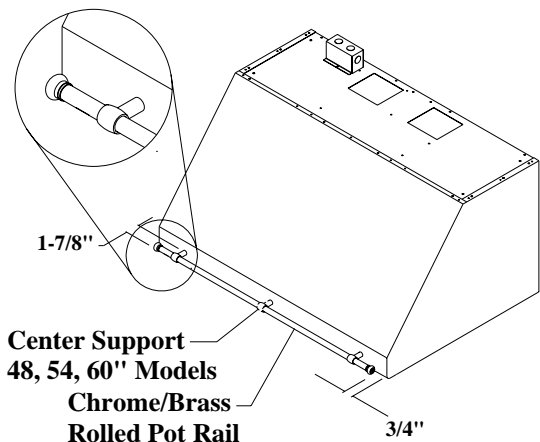
Add Special Edge Finish to Stainless

Models: (i.e. WSL304SHSPC)

Accessories Selected: (e.g. Back splash with racks, chrome or brass rails, canopy extensions)



“CE” Canopy Extensions (6” or 12” height) for WSL hoods



Final Hood Model Selected:

Add Any Accessories:

Specify Ventilator Selected & Transitions:

Free Manuals Download Website

<http://myh66.com>

<http://usermanuals.us>

<http://www.somanuals.com>

<http://www.4manuals.cc>

<http://www.manual-lib.com>

<http://www.404manual.com>

<http://www.luxmanual.com>

<http://aubethermostatmanual.com>

Golf course search by state

<http://golfingnear.com>

Email search by domain

<http://emailbydomain.com>

Auto manuals search

<http://auto.somanuals.com>

TV manuals search

<http://tv.somanuals.com>