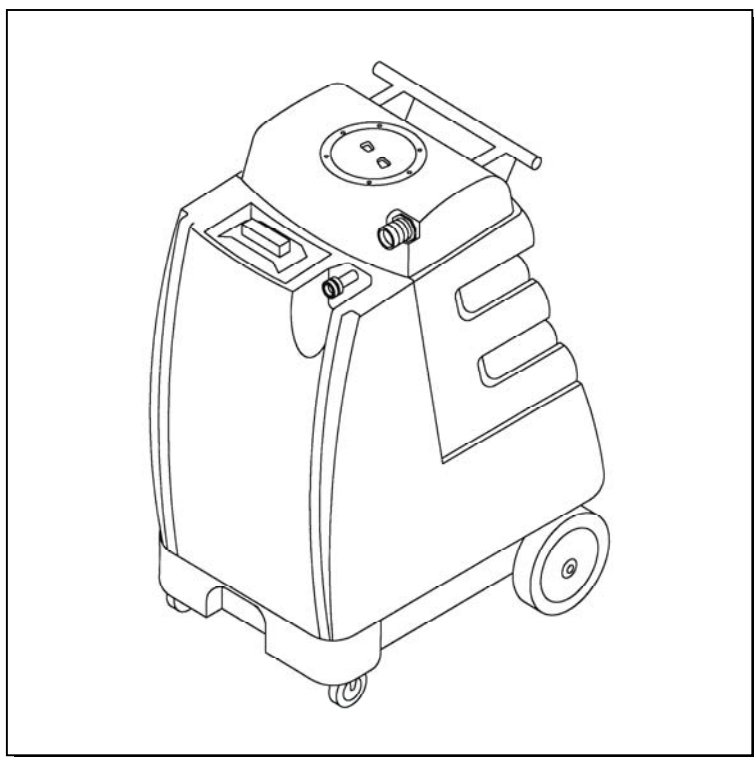


DOMINATOR™



CARPET EXTRACTOR



Operating Instructions (ENG)

MODEL: D100
10070090

QUEST® ... for Continuous Improvement.
Windsor's Quality Management System is Certified ISO 9001.

Read these instructions before operating the machine

MACHINE DATA LOG

MODEL _____

DATE OF PURCHASE _____

SERIAL NUMBER _____

SALES REPRESENTATIVE # _____

DEALER NAME _____

OPERATIONS GUIDE NUMBER _____

PUBLISHED _____

YOUR DEALER

Name: _____

Address: _____

Phone Number: _____

TABLE OF CONTENTS

<i>Machine Data Log</i>	2
<i>Table of Contents</i>	3

HOW TO USE THIS MANUAL

<i>How to use this Manual</i>	1-1
-------------------------------------	-----

SAFETY

<i>Important Safety Instructions</i>	2-1
<i>Hazard Intensity Level</i>	2-2
<i>Grounding Instructions</i>	2-3

OPERATIONS

<i>Technical Specifications</i>	3-1
<i>Carpet Inspection</i>	3-2
<i>Accessories</i>	3-2
<i>General Information</i>	3-2
<i>Equipment Set-Up</i>	3-2

MAINTENANCE

<i>Daily Maintenance</i>	4-1
<i>Periodic Maintenance</i>	4-1
<i>Vacuum Motor Replacement</i>	4-2
<i>Pump Replacement</i>	4-3
<i>Machine Troubleshooting</i>	4-4
<i>Wiring Diagram</i>	4-5
<i>Service Schedule</i>	4-6

GROUP PARTS LIST

<i>Recovery Tank Assembly</i>	5-1
<i>Solution Tank Assembly</i>	5-3
<i>Suggested Spare Parts</i>	5-5
<i>Warranty</i>	5-6

HOW TO USE THIS MANUAL

This manual contains the following sections:

- HOW TO USE THIS MANUAL
- SAFETY
- OPERATIONS
- MAINTENANCE
- PARTS LIST

The HOW TO USE THIS MANUAL section will tell you how to find important information for ordering correct repair parts.

Parts may be ordered from authorized Windsor dealers. When placing an order for parts, the machine model and machine serial number are important. Refer to the MACHINE DATA box which is filled out during the installation of your machine. The MACHINE DATA box is located on the inside of the front cover of this manual.

MODEL _____
DATE OF PURCHASE _____
SERIAL NUMBER _____
SALES REPRESENTATIVE # _____
DEALER NAME _____
OPERATIONS GUIDE NUMBER _____
PUBLISHED _____

The model and serial number of your machine is on the bottom back-end of the machine.

The SAFETY section contains important information regarding hazard or unsafe practices of the machine. Levels of hazards is identified that could result in product or personal injury, or severe injury resulting in death.

The OPERATIONS section is to familiarize the operator with the operation and function of the machine.

The MAINTENANCE section contains preventive maintenance to keep the machine and its components in good working condition. They are listed in this general order:

- Daily Maintenance
- Periodic Maintenance
- Vacuum Motor Replacement
- Pump Replacement
- Machine Troubleshooting
- Service Schedule

The PARTS LIST section contains assembled parts illustrations and corresponding parts list. The parts lists include a number of columns of information:

- **REF** – column refers to the reference number on the parts illustration.
- **PART NO.** – column lists the part number for the part.
- **PRV NO.** – reference number.
- **QTY** – column lists the quantity of the part used in that area of the machine.
- **DESCRIPTION** – column is a brief description of the part.
- **SERIAL NO. FROM** – column indicates the first machine the part number is applicable to. When the machine design has changed, this column will indicate serial number of applicable machine. The main illustration shows the most current design of the machine. The boxed illustrations show older designs. If column has an asterisk (*), call manufacturer for serial number.
- **NOTES** – column for information not noted by the other columns.

NOTE: If a service or option kit is installed on your machine, be sure to keep the KIT INSTRUCTIONS which came with the kit. It contains replacement parts numbers needed for ordering future parts.

NOTE: The number on the lower left corner of the front cover is the part number for this manual.

SAFETY INSTRUCTIONS

IMPORTANT SAFETY INSTRUCTIONS

When using an electrical appliance, basic precaution must always be followed, including the following:

READ ALL INSTRUCTIONS BEFORE USING THIS MACHINE.

This machine is for commercial use.



To reduce the risk of fire, electric shock, or injury:

Connect to a **properly grounded outlet**. See Grounding Instructions.

Do not leave the machine unattended. Unplug machine from outlet when not in use and before maintenance or service.

Use only indoors. Do not use outdoors or expose to rain.

Do not allow machine to be used as a toy. **Close attention** is necessary when used by or near children.

Use only as described in this manual. Use only manufacturer's recommended components and attachments.

Do not use damaged electrical cord or plug. Follow all instructions in this manual concerning grounding the machine. If the machine is **not working properly**, has been dropped, damaged, left outdoors, or dropped into water, return it to an authorized service center.

Do not pull or carry machine by electrical cord, use as a handle, close a door on cord, or pull cord around sharp edges or corners.

Do not run machine over cord. **Keep** cord away from heated surfaces.

Do not unplug machine by pulling on cord. To unplug, grasp the electrical plug, not the electrical cord.

Do not handle the electrical plug or machine with wet hands.

Do not operate the machine with any openings blocked. Keep openings free of debris that may reduce airflow.

This machine is intended for cleaning carpet only.

Do not vacuum anything that is burning or smoking, such as cigarettes, matches, or hot ashes.

This machine is not suitable for picking up health endangering dust.

Turn off all controls before unplugging.

Machine can cause a fire when operating near flammable vapors or materials. Do not operate this machine near flammable fluids, dust or vapors.

This machine is suitable for commercial use, for example in hotels, schools, hospitals, factories, shops and offices for more than normal housekeeping purposes.

Maintenance and repairs must be done by qualified personnel.

If foam or liquid comes out of machine, switch off immediately.

SAVE THESE INSTRUCTIONS

D100 86038260 05/21/07

2-1

HAZARD INTENSITY LEVEL

The following symbols are used throughout this guide as indicated in their descriptions:

HAZARD INTENSITY LEVEL

There are three levels of hazard intensity identified by signal words -**WARNING** and **CAUTION** and **FOR SAFETY**. The level of hazard intensity is determined by the following definitions:

⚠ WARNING

WARNING - Hazards or unsafe practices which COULD result in severe personal injury or death.

⚠ CAUTION

CAUTION - Hazards or unsafe practices which could result in minor personal injury or product or property damage.

FOR SAFETY: To identify actions which must be followed for safe operation of equipment.

Report machine damage or faulty operation immediately. Do not use the machine if it is not in proper operating condition. Following is information that signals some potentially dangerous conditions to the operator or the equipment. Read this information carefully. Know when these conditions can exist. Locate all safety devices on the machine. Please take the necessary steps to train the machine operating personnel.

FOR SAFETY:

DO NOT OPERATE MACHINE:

Unless Trained and Authorized.

Unless Operation Guide is Read and understood.

In Flammable or Explosive areas.

In areas with possible falling objects.

WHEN SERVICING MACHINE:

Avoid moving parts. Do not wear loose clothing; jackets, shirts, or sleeves when working on the machine. Use Windsor approved replacement parts.

GROUNDING INSTRUCTIONS

THIS PRODUCT IS FOR COMMERCIAL USE ONLY.

ELECTRICAL:

In the USA this machine operates on a standard 15 amp 115V, 60 hz, A.C. power circuit . The amp, hertz, and voltage are listed on the data label found on each machine. Using voltages above or below those indicated on the data label will cause serious damage to the motors.

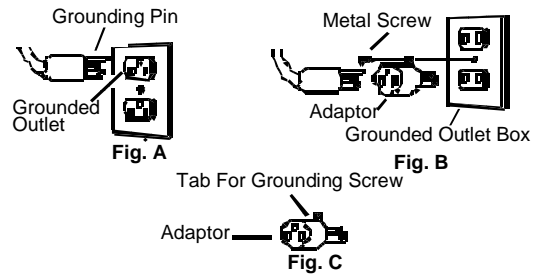
GROUNDING INSTRUCTIONS:

This appliance must be grounded. If it should malfunction or break down, grounding provides a path of least resistance for electric current to reduce the risk of electric shock. This appliance is equipped with a cord having an equipment-grounding conductor and grounding plug. The plug must be inserted into an appropriate outlet that is properly installed and grounded in accordance with all local codes and ordinances. This appliance is for use on a nominal 115-volt circuit, and has a grounded plug that looks like the plug in "Fig. A". A temporary adaptor that looks like the adaptor in "Fig. C" may be used to connect this plug to a 2-pole receptacle as shown in "Fig. B", if a properly grounded outlet is not available. The temporary adaptor should be used only until a properly grounded outlet (Fig. A) can be installed by a qualified electrician. The green colored rigid ear, lug, or the like extending from the adaptor must be connected to a permanent ground such as a properly grounded outlet box cover. Whenever the adaptor is used, it must be held in place by a metal screw.

⚠ WARNING:

Improper connection of the equipment-grounding conductor can result in a risk of electric shock. Check with a qualified electrician or service person if you are in doubt as to whether the outlet is properly grounded. Do not modify the plug provided with the appliance - if it will not fit the outlet, have a proper outlet installed by a qualified electrician.

PROPER GROUNDING



NOTE: In Canada, the use of a temporary adaptor is not permitted by the Canadian Electrical Code

CHEMICALS

Suitable Chemicals

Alkalis
Detergents
Hydroxides
Soaps
Vinegar

Non-Compatible

Aldehydes
Aromatics Hydrocarbons
SP Butyls
Carbon Tetrachloride
*Clorox**
Chlorinated Bleaches
Chlorinated Hydrocarbons
*Lysol**
Methyl Ethel Ketone (MEK)
Perchlorethylene (perc)
Phenolics
Trichlorethylene
D-Limonene

⚠ WARNING:

Using the incompatible chemicals listed above will damage the machine. Damages of this type are not covered under the warranty. Carefully read ingredients on manufacturer's label before using any product in this machine.

TECHNICAL SPECIFICATIONS

ITEM	DIMENSION/CAPACITY
Electrical	115V, 60Hz, 15A
Electric Vacuum Motor	2HP, 3 Stage
Waterlift	137" (348 cm)
Solution Pump	100 psi
Solution Capacity	17 gallons (64.3 l)
Recovery Capacity	15 gallons (56.75 l)
Dimensions - Weight	69 lbs. (31.4 kg)
Dimensions – Length	20" (50.80 cm)
Dimensions - Height	36" (91.44 cm)
Dimensions - Width	16" (40.64 cm)
Power Cable	2-25' (6.35m)

OPERATIONS

CARPET INSPECTION:

Determine precisely what areas you are going to clean. Note problem areas in the carpet or tack strip. Look for loose carpet, heavily damaged areas, discolored stains, or grease spots that will require prespotting. Note the carpet type. Check the availability of hot water, drains, and suitable electrical outlets. If the carpet is loose or worn, have it repaired **before** attempting to clean it.

Plan the cleaning route, work from the most remote area towards the exit. Try not to travel over the cleaned areas when getting fresh water or dumping old. Furniture should be moved out away from the walls before cleaning. If furniture is moved back in place before carpet is completely dry, place plastic or foil protectors under the legs to prevent possible carpet staining. When possible use a Windblower (AM3) and open all windows and doors to speed carpet drying.

ACCESSORIES:

The D100 can be used with the following Windsor equipment: Deluxe Hand Tool (86000020 – PRV NO. HT), Pile Jogger (86041760 – PRVNO. PJ2A), Standard Floor Wands(SFW, 86000610 – PRV NO. 89227, 86000600 PRV NO. 89226, & Wind Blower carpet dryer(AM3). Contact an authorized Windsor dealer for assistance in choosing the right equipment .

GENERAL INFORMATION:

On heavily soiled carpets, or on areas of high foot traffic, it may be necessary to use a prespray or traffic lane cleaner applied with a Pro-Spray. Do not add presprays to the machine's solution tank. If a spotter is used, follow the manufacturer's instructions exactly as printed on the label. Remove the spotter with the floor tool when done, spotter left in the carpet may bleach or brown it permanently.

As the carpet is being cleaned, check to see if there is foam building up in the recovery bucket. Add a little defoaming compound to the recovery tank but never to the solution tank.

For infrequent use or long periods of storage, flush the system with a neutralizing solution of 1 quart white vinegar mixed with 2 gallons hot water. Flush the system with clean hot water after neutralizing.

For hose fitting lubrication, use a light silicone lubricant which will not damage o-rings.

PROTECT THIS MACHINE FROM FREEZING.

EQUIPMENT SET-UP:

- 1.) Plug power cable from machine into properly grounded wall outlet.
- 2.) Turn vacuum motor switch on and off to make sure there is electrical power at machine.
- 3.) Connect vac hose to machine. Slide the swivel cuff over the outlet on the tank.
- 4.) Connect the hose set to your machine and wand. Pull back the knurled collar on the quick disconnect coupler and push onto the connection on the chassis. To avoid leaks, check to be sure a positive connection was made.
- 5.) Using a clean container, fill the solution tank with clean, hot water. Mix in a non-foaming cleaning concentrate for use in hot water extraction machines following the manufacturer's instructions, as printed on the container. **When using a powder cleaner, premix with hot water in a clean container before adding to the solution tank.**
- 6.) Turn pump and vacuum switch to the on position.
- 7.) Start cleaning.

MAINTENANCE

DAILY MAINTENANCE:

(At the end of each working day) :

- 1) Flush the entire system, including floor tool, hand tool, etc., with 1 to 3 gallons of clean, hot water.
- 2) Vacuum out the solution tank .
- 3) Rinse tank with fresh water. Periodically inspect the recovery tank and decontaminate if necessary, using a Hospital Grade Virucide or a 1-10 bleach to water solution. Waste water should be disposed of properly.
- 4) Remove lint build-up from the float shut-off screen in the recovery tank . (Occasionally check filter screen at the bottom of the solution tank and rinse clean with hot water if necessary).
- 5) Inspect hoses for wear. Frayed or cracked hoses should be replaced to avoid vacuum or solution pressure loss.
- 6) Inspect power cord for wear or damage. This cable will lay on wet carpet. To prevent electrical shock replace cords that are frayed or have cracked insulation immediately.
- 7) Ensure automatic shut-off ball is working properly.
- 8) Clean all dirt and obstructions from drain valve and gaskets to prevent possible leakage and premature wear.
- 9) Run clean water through solution pump when work is complete.
- 10) Empty both tanks and rinse, run vacuum(s) for at least one minute to dry motor(s).
- 11) Store with access covers removed to allow tanks to dry.

PERIODIC MAINTENANCE

- 1) Twice a month, flush a white vinegar solution (One quart vinegar to two gallons of water) or anti-browning solution (mixed as directed) through the extractor, turning pump switch on/off several times, flush with clean water. This will prevent build-up of alkaline residue in the system.
- 2) Check hoses for wear, blockages, or damage. Frayed or cracked hoses should be repaired or replaced to eliminate vacuum or solution pressure loss.
- 3) Check all handles, switches, knobs, electrical cables and connections on your machine for damage. If the cable insulation is broken or frayed, repair or replace it immediately. Don't take chances with electrical fire or shock.
- 4) Clean out solution tank and remove and clean solution screen.
- 5) Clean outside of all tanks and check for damage.

Monthly Maintenance

- 1) Check all bearings for noise and wear.
- 2) Check all gaskets for wear and leakage.
- 3) Check pump pressure; observe spray pattern and check with gauge if necessary.
- 4) Check overall performance of machine.

SEMI-ANNUALLY

- 1) Check vacuum motor brushes.



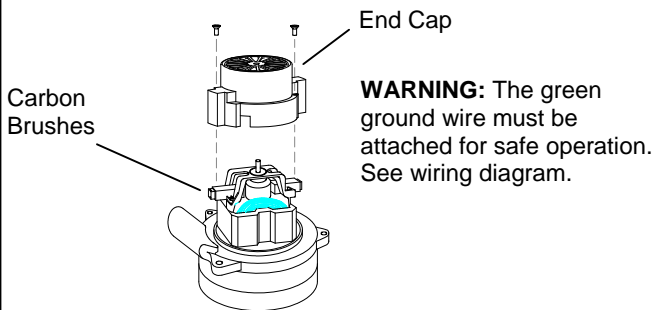
WARNING

ONLY QUALIFIED MAINTENANCE PERSONNEL ARE TO PERFORM THE FOLLOWING REPAIRS.

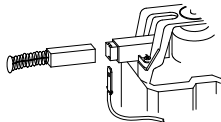
VACUUM MOTOR REPLACEMENT

1. Turn off all switches and unplug machine.
2. Remove recovery tank.
3. Locate the vacuum motor wires and disconnect at the connector.
4. Remove the vacuum motor.
5. Reverse process to install vacuum motor.

Vacuum Motor Carbon Brushes Replacement (Windsor)

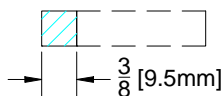


If armature commutator is grooved, extremely pitted or not concentric, the motor will need to be replaced or sent to a qualified service center.



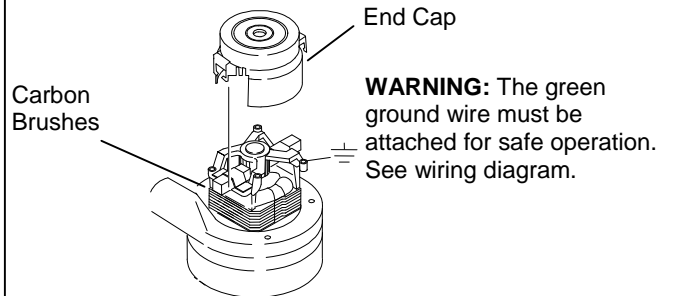
Important:

These brushes wear quicker as the length shortens due to increased heat. Spring inside brush housing will damage motor if brushes are allowed to wear away completely.

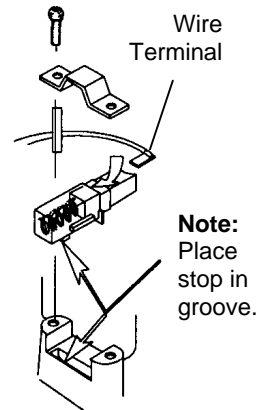


Periodically check the length of the carbon brushes. Replace both carbon brushes when either is less than 3/8" (9.5mm) long.

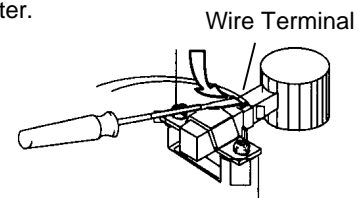
Vacuum Motor Carbon Brushes Replacement (Ametek)



Note: When replacing carbon brushes loosen wire terminal **BEFORE** removing screws on bracket.

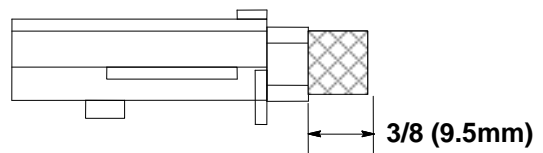


If armature commutator is grooved, extremely pitted or not concentric, the motor will need to be replaced or sent to a qualified service center.



Important:

These brushes wear quicker as the length shortens due to increased heat. Spring inside brush housing will damage motor if brushes are allowed to wear away completely.



Periodically check the length of the carbon brushes. Replace both carbon brushes when either is less than 3/8" (9.5mm) long.

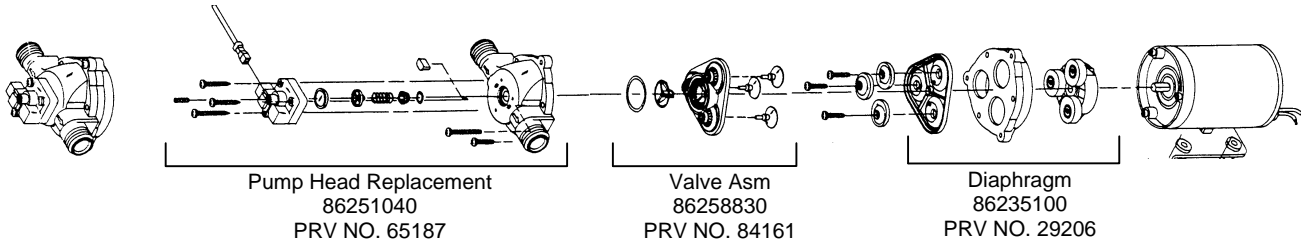
MAINTENANCE



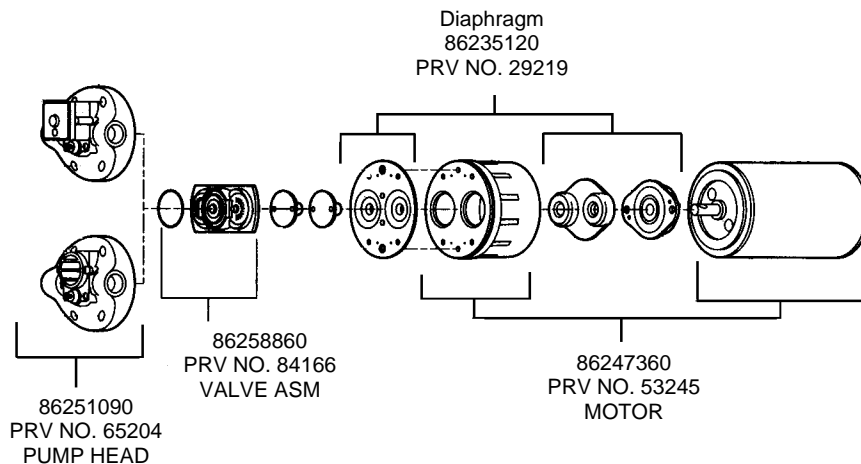
WARNING:

ONLY QUALIFIED MAINTENANCE PERSONNEL ARE TO PERFORM THE FOLLOWING REPAIRS.

PUMP REPLACEMENT PARTS FOR SHURFLO 100 PSI (86201430 - PRV NO. 250-64A)



PUMP REPLACEMENT PARTS FOR FLOJET 100 PSI (86251110 – PRV NO. 65219)



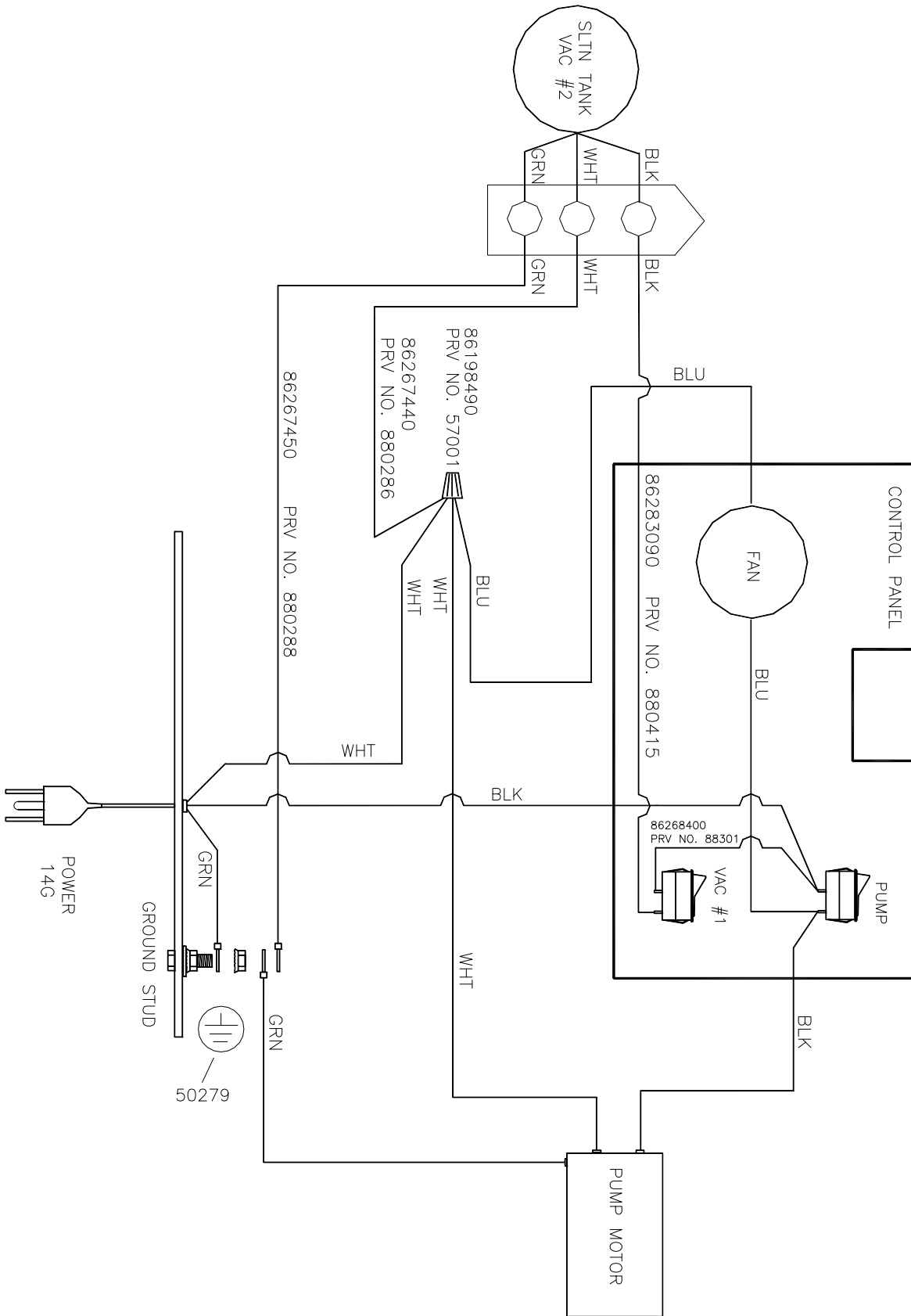
SOLUTION PUMP REPLACEMENT

1. Turn off all switches and unplug the machine.
2. Remove recovery tank.
3. Remove solution hoses from fittings in pump.
4. Remove the (2) screws that fasten the pump to the frame.
5. Reverse process to install pump.

TROUBLESHOOTING

PROBLEM.	CAUSE	SOLUTION
No power to machine.	Faulty power cord.	Replace.
	Dead electrical circuit.	Check building circuit breaker or fuse box.
Electrical shock.	Equipment not grounding.	Follow grounding instructions exactly.
	Receptacle not grounded.	Contact an electrician to check building's wiring.
Vac motor speed varies or doesn't run.	Internal wiring problem.	Have a trained service technician check machine's wiring.
	Worn motor brushes.	Replace.
	Motor worn out.	Replace.
Loss of vacuum.	Faulty switch.	Replace.
	Loose vacuum dome.	Center and seal dome over tank.
	Crack in dome or poor joint.	Replace or repair using acrylic plastic cement only.
	Lint or dirt clogging vacuum screen.	With power off, clean screen.
	Loose cuffs on vacuum hose.	Tighten cuffs turning counterclockwise.
	Vac motor seals leaking.	Replace.
	Floor tool vac chamber clogged.	Wash out with hose. Pick lint out with a wire.
Solution hose fitting hard to connect.	Vac motor, hose or gasket.	Replace.
	Corrosion on fittings.	Clean with steel wool. Soak in acetic acid (white vinegar). Lubricate lightly with silicone base lubricant.
Carpet not getting clean.	Severe soil conditions.	Make several passes at right angles to each other. Use a prespray.
Carpet too wet.	Over saturation.	Adjust solution pressure to lower settings. Make several passes with spray.
Carpet browning.	Leaving carpet too wet.	Check for loss of vac pressure.
	Too much chemical in.	Check label for correct solution concentration.
	Light carpet with no brown prevention.	Go over carpet with browning prevent only.
Solution not flowing properly.	Solution hose connection.	Check for positive connection.
	Faulty pump.	Repair or replace.
	Faulty floor tool valve.	Repair or replace.
	Faulty pump switch.	Repair.

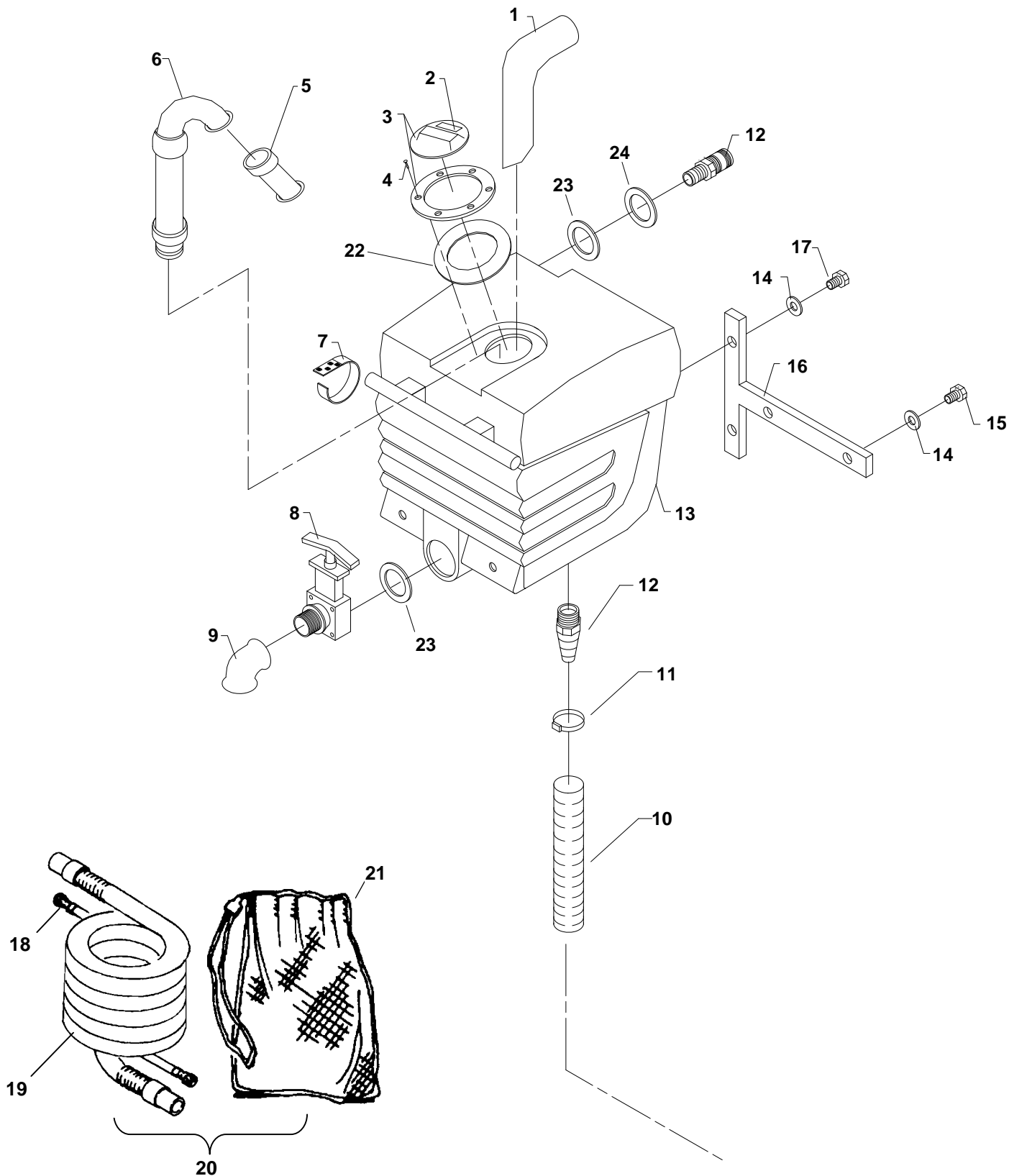
WIRING DIAGRAM



SERVICE SCHEDULE

MAINTENANCE	DAILY	WEEKLY	QUARTERLY
Check machine for cord damage	*		
Check recovery dome and gasket for damage and cleanliness	*		
Check hoses for wear, blockages, or damage	*		
Check handles, switches, and knobs for damage	*		
Check vac motor intake filter and clean	*		
Run one gallon of water through system	*		
Clean out recovery tank and check float valve to make sure it moves freely	*		
Clean out solution tank and remove and clean vacuum intake screen	*		
Clean outside of all tanks and check for damage	*		
Run vac motor for at least one minute to allow motor to dry	*		
Store with dome off tank to allow the tank to dry	*		
Check all gaskets for wear and leakage		*	
Check vacuum intake screen for damage; replace if necessary		*	
Check pump pressure; observe spray pattern and check with gauge if necessary		*	
Check and clean solution screen		*	
Check cables for fraying		*	
Check overall performance of machine		*	
Check vac motor carbon brushes			*

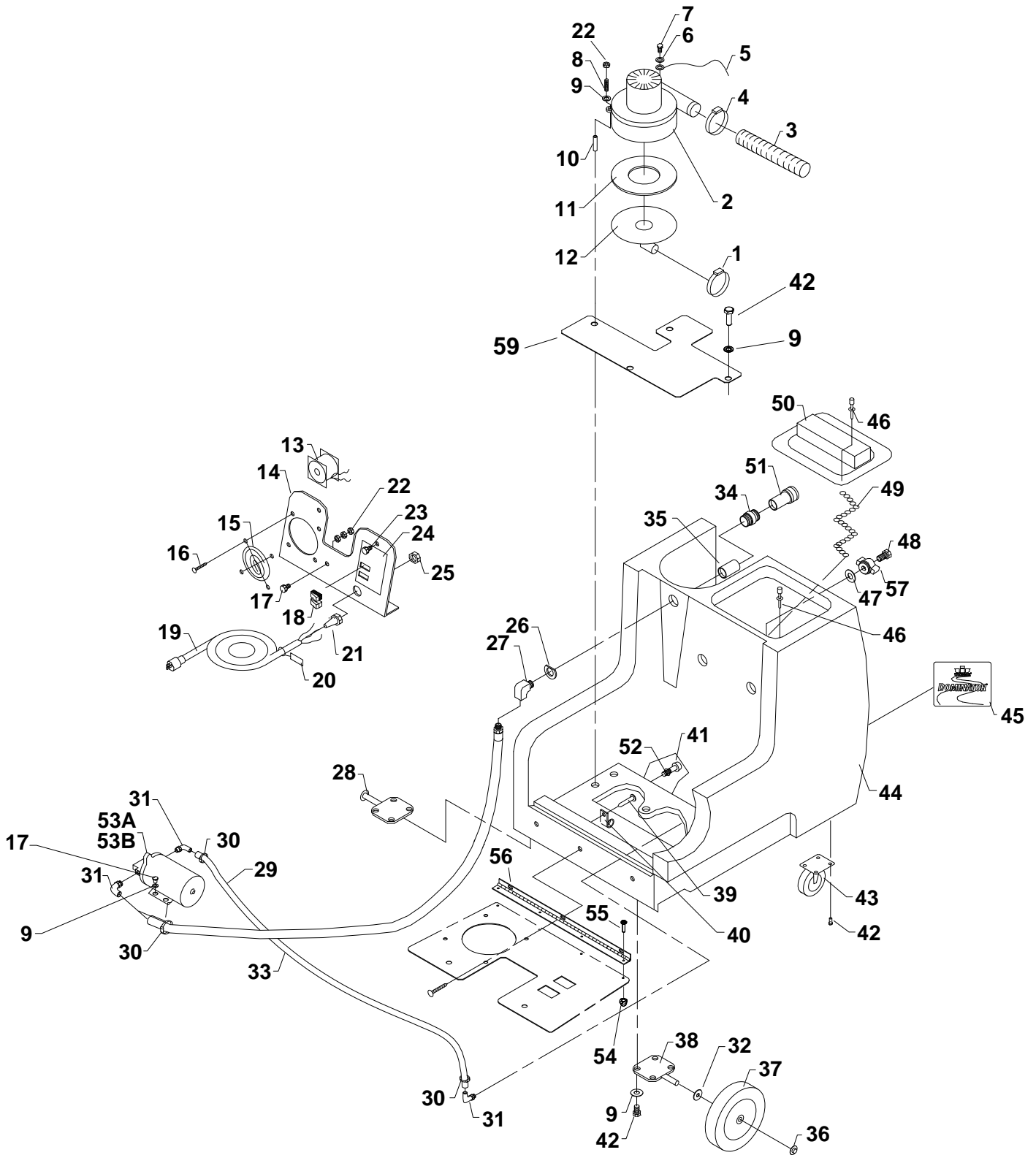
RECOVERY TANK ASSEMBLY



RECOVERY TANK ASSEMBLY

REF	PART NO.	PRV NO.	QTY	DESCRIPTION	SERIAL NO. FROM	NOTES:
1	86033260	05151	1	TUBE ASM, RECOVERY TANK		
2	86242230	500009	1	LABEL, WARNING EXPLOSION HAZ'D		
3	86002620	260-64A	1	ACCESS COVER CLEAR 6" W/RIM		
4	86275800	70546	6	SCR, 8 X 3/4 PFHT/S BLK ZINC		
5	86199840	090-12A	1	FLOAT CAGE ASSY COMPLETE SLIP		
6	86033330	78475	1	VAC STACK ASM, 17 GAL PORTABLES		
7	86202160	320-05	1	VELCRO STRAPS		
8	86161460	15-808123	1	DUMP VALVE 1 1/2"		
9	86161470	11-800444	1	ELBOW, 2" 45D PVC SCH40		
10	86239890	39276	1	HOSE, 1.5 BLK VAC X 14"		
11	86002390	20063	1	CLAMP, 1.75" WORM GEAR X .312		
12	86200290	260-33	2	HOSEBARB, 1.5MPT X 1.5		
13	86033540	75358	1	TANK, RECOVERY DOM 100		
14	86010630	87013	4	WASHER, 1/4 ID X 5/8 OD SS		
15	86273780	70015	2	SCR, 1/4-20 X 3/4 HHCS SS DL		
16	86091150	065-25	1	TANK BRACE ASM, D/B		
17	86273830	70020	2	SCR, 1/4-20 X 1/2 HHCS SS NP		
18	86200310	39573	1	HOSE ASM, 3/8 LP SLTN 16.5 FT		
19	86201990	150-44A	1	VAC HOSE 16-1/2' W/CUFFS 1-1/2		
20	86241920	47357	1	KIT, HOSE ASM 16.5' LP/1.5"-VAC		
21	86001750	14182	1	HOSE BAG 24" X 36"		
22	86004000	35255	1	GASKET, TANK LID		
23	86237770	35256	2	GASKET, DUMP VALVE		
24	86090320	87257	1	WASHER, HOSEBARB		

SOLUTION TANK ASSEMBLY



SOLUTION TANK ASSEMBLY

REF	PART NO.	PRV NO.	QTY	DESCRIPTION	SERIAL NO. FROM	NOTES:
1	86002390	20063	1	CLAMP, 1.75" WORM GEAR X .312		
2	86031640	85049	1	VAC MTR ASM, D/B SLTN 115V 3ST		
-	86135320	140687	-	BRUSH SET, 120V VAC WINDSOR	*	SERVICE ONLY
-	86135300	140676	-	BRUSH SET, 120V 3ST VAC AMETEK		SERVICE ONLY
3	86282120	39582	1	HOSE, VAC EXHAUST X 9"		
4	86002380	20046	1	CLAMP, 2.25" WORM GEAR		
5	86267480	880292	1	WIRE, 4" GRN/14 76010 X 76014		
6	86010640	87016	1	WASHER, #10 LOCK EXT STAR SS		
7	86274980	70335	1	SCR, 10-32 X 1/2 PHTR GRN/GRND		
8	86256490	70814	3	STUD, 1/4-20 X 4.5 SS		
9	86010630	87013	14	WASHER, 1/4 ID X 5/8 OD SS		
10	86201950	065-24E	3	VAC SPACER 3 1/8 III STAGE		
11	86003760	35166	1	GASKET, VAC MTR		
12	86090980	360-24A	1	PLATE ASM, VAC 90 DEG		
13	86199650	070-08	1	FAN 105 CFM AXIAL		
14	86090890	62898	1	PANEL, DOM SGL-V		
15	86199660	070-08A	1	FAN FINGER GUARD		
16	86276290	70626	4	SCR, #10 X 3/4 PPHST HI-LO BLK		
17	86273810	70018	3	SCR, 1/4-20 X 1 HHCS SS		
18	86256960	72142	2	SWITCH, SPST 15A EURO ROCKER		
19	86199540	060-04A	1	CORD ASM, 14/3 SJT X 25' BLK		
20	86200570	170-41	1	LABEL CIRCUIT INTERRUPTER		
21	86256180	73195	1	STRAIN RELIEF, 1/2 NPT (.48 ID)		
22	86005710	57105	6	NUT, 1/4-20 HEX W/ STAR WASHER		
23	86276700	70716	2	SCR, 1/4-20 X 1/2 PTHMS PLTD		
24	86200590	500344	1	LABEL, DOM 2 SWITCH NO HEAT		
25	86005670	57040	1	NUT, 1/2 NPT CONDUIT		
26	86091260	87217	1	WASHER, 9/16 ID BENT		
27	86199640	030-16	1	ELBOW, 1/4 NPT STREET LONG 90D		
28	86090710	010-02	1	AXLE ASM, RIGHT		
29	86280830	39036	1	HOSE, 3/8 NYLOBRAID X 12"		
30	86233150	20042	3	CLAMP, 3/8 HOSE (D-SLOT)		
31	86001550	40043	3	HOSEBARB, 3/8MPT X 3/8 90D		
32	86010710	87080	2	WASHER, .5 X 1.25 FLAT GR8 PLT		
33	86200230	151-48B	1	HOSE, 52.5 GRY 3/8 1/4 MPTXCUT		
34	86005590	56014	1	NIPPLE, 1/4 CLOSE		
35	86197350	22014	1	COUPLER, 1/4F HEX		
36	86271380	57196	2	NUT, 1/2 PUSH-ON DOME CAP		
37	86202250	040-06	2	WHEEL 8" BLK OFF-SET HUB		
38	86090700	010-01	1	AXLE ASM, LEFT		
39	86006700	70232	4	SCR, 10-32 X 3/8 FHMS SS		
40	86198460	20008	1	CLAMP, 5/8 NYLON UL/USA		
41	86201590	290-08	1	STRAINER, 1/4 NPT 50 MESH		
42	86273830	70020	17	SCR, 1/4-20 X 1/2 HHCS SS NP		
43	86199430	040-03	2	CASTER SWIVEL 4" 250#		
44	86033450	75337	1	TANK, SOLUTION DOM 100 DK BLU		
45	86200680	500378	1	LABEL, DOMINATOR		
46	86201290	280-02	2	RIVET AL. 3/16 X 1/2 CLOSED		
47	86202240	390-24	2	WASHER, SEAL 1/4 X 1OD SS		
48	86276270	70619	1	SCR, 1/4-20 X 2.0 HHMS SS F/T		
49	86232790	27912	1	CHAIN ASM, #10SS BD X 10"		
50	86201500	260-71	1	SOLUTION COVER D/B		
51	86005580	56012	1	NIPPLE, 1/4 FPT QD		
52	86240430	40083	1	HOSEBARB, 3/8 NPT X 3/8 H		
53A	86201430	250-64A	1	SHURFLO 100PSI PUMP DEMAND		
53B	86251110	65219	1	PUMP, 115V 100PSI BYPASS W/SW (FLOJET)		
54	86271350	57187	4	NUT, 6-32 ACORN, ZINC		
55	86006620	70127	4	SCR, 6-32 X 1/4 PPHMS SS		
56	86200020	41393	1	HINGE, ACCESS PANEL		
57	86242130	48100	1	KNOB, HEX PRESS LOC WING		
58	86270900	57037	1	NUT, 1/4-20 WING SS		NOT SHOWN
59	86311330	-	1	PLATE, SAFETY		

SUGGESTED SPARE PARTS

PART NO.	PRV NO.	DESCRIPTION	SERIAL NO. FROM	NOTES
86135320	140687	BRUSH SET, 120V VAC WINDSOR	*	
86135300	140676	BRUSH SET, 120V 3ST VAC AMETEK		
86031640	85049	VAC MOTOR ASM, 115 3ST D/B		
86031590	65215	PUMP ASM, 100 PSI		
86256960	72142	SWITCH, SPST 15A EURO ROCKER		
86202250	040-06	WHEEL, 8" BLK OFF-SET HUB		
86271380	57196	NUT, 1/2 PUSH-ON DOME CAP		
86199430	040-03	CASTER SWIVEL 4" 250#		
86199620	370-08	SEAL, DUMP VALVE 1-1/2"		
86002620	260-64A	ACCESS COVER CLEAR 6" W/RIM		
86201590	290-08	STRAINER, 1/4 NPT 50 MESH		
86251040	65187	PUMP HEAD KIT, 100 PSI SHURFLO		
86258830	84161	VALVE KIT, 100 PSI SHURFLO		
86235100	29206	DIAPHRAGM KIT, 100 PSI SHURFLO		

Free Manuals Download Website

<http://myh66.com>

<http://usermanuals.us>

<http://www.somanuals.com>

<http://www.4manuals.cc>

<http://www.manual-lib.com>

<http://www.404manual.com>

<http://www.luxmanual.com>

<http://aubethermostatmanual.com>

Golf course search by state

<http://golfingnear.com>

Email search by domain

<http://emailbydomain.com>

Auto manuals search

<http://auto.somanuals.com>

TV manuals search

<http://tv.somanuals.com>