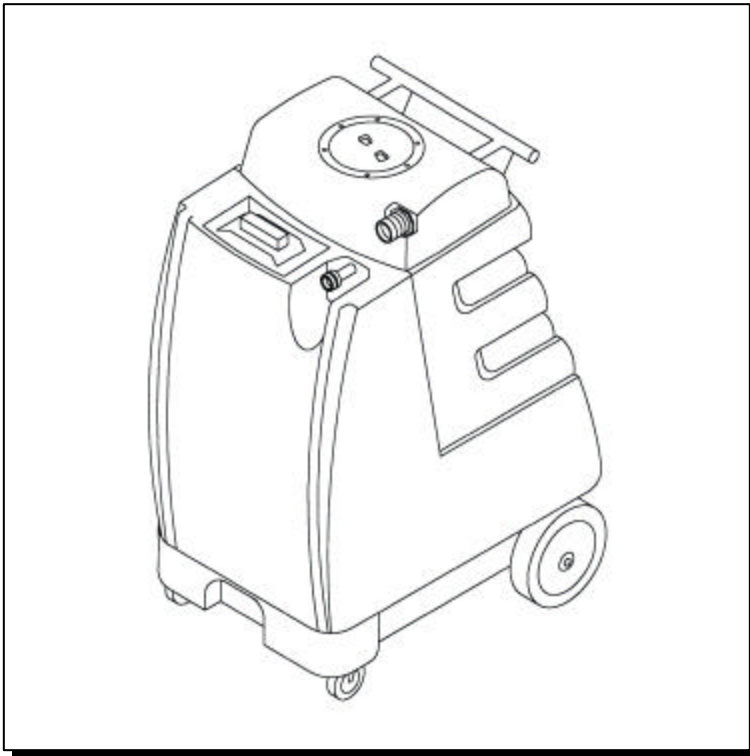


DOMINATOR™



CARPET EXTRACTOR



Operating Instructions (ENG)

MODEL: D250 (115V)
Beginning with Serial No. 100054537

QUEST® ... for Continuous Improvement.
Windsor's Quality Management System is Certified ISO 9001.

Read these instructions before operating the machine

P

98828 06/07/03

TABLE OF CONTENTS

MODEL	_____
DATE OF PURCHASE	_____
SERIAL NUMBER	_____
SALES REPRESENTATIVE #	_____
DEALER NAME	_____

<i>Data Log/Table of Contents</i>	1	<i>Technical Specifications</i>	10
<i>Safety Instructions</i>	2	<i>Wiring Diagram</i>	11
<i>Grounding Instructions</i>	3	<i>Parts Lists</i>	13-16
<i>Operations</i>	4	<i>Spare Parts</i>	17
<i>Maintenance</i>	6-7	<i>Warranty</i>	18
<i>Troubleshooting</i>	9-10		

INSPECTION

Carefully unpack and inspect your machine for shipping damage. Each unit is operated and thoroughly inspected before shipping, and any damage is the responsibility of the carrier, who should be notified immediately.

IMPORTANT SAFETY INSTRUCTIONS

When using an electrical appliance, basic precaution must always be followed, including the following:

READ ALL INSTRUCTIONS BEFORE USING THIS MACHINE.

This machine is for commercial use.



WARNING:

To reduce the risk of fire, electric shock, or injury:

Connect to a **properly grounded outlet**. See Grounding Instructions.

Do not leave the machine unattended. Unplug machine from outlet when not in use and before maintenance or service.

Use only indoors. Do not use outdoors or expose to rain.

Do not allow machine to be used as a toy. **Close attention** is necessary when used by or near children.

Use only as described in this manual. Use only manufacturer's recommended components and attachments.

Do not use damaged electrical cord or plug. Follow all instructions in this manual concerning grounding the machine. If the machine is **not working properly**, has been dropped, damaged, left outdoors, or dropped into water, return it to an authorized service center.

Do not pull or carry machine by electrical cord, use as a handle, close a door on cord, or pull cord around sharp edges or corners.

Do not run machine over cord. **Keep** cord away from heated surfaces.

Do not unplug machine by pulling on cord. To unplug, grasp the electrical plug, not the electrical cord.

Do not handle the electrical plug or machine with wet hands.

Do not operate the machine with any openings blocked. Keep openings free of debris that may reduce airflow.

This machine is intended for cleaning carpet only.

Do not vacuum anything that is burning or smoking, such as cigarettes, matches, or hot ashes.

This machine is not suitable for picking up health endangering dust.

Turn off all controls before unplugging.

Machine can cause a fire when operating near flammable vapors or materials. Do not operate this machine near flammable fluids, dust or vapors.

This machine is suitable for commercial use, for example in hotels, schools, hospitals, factories, shops and offices for more than normal housekeeping purposes.

Maintenance and repairs must be done by qualified personnel.

If foam or liquid comes out of machine, switch off immediately.

SAVE THESE INSTRUCTIONS

GROUNDING INSTRUCTIONS

THIS PRODUCT IS FOR COMMERCIAL USE ONLY.

ELECTRICAL:

The amp, hertz, and voltage are listed on the data label found on each machine. Using voltages above or below those indicated on the data label will cause serious damage to the motors.

GROUNDING INSTRUCTIONS:

This appliance must be grounded. If it should malfunction or break down, grounding provides a path of least resistance for electric current to reduce the risk of electric shock. This appliance is equipped with a cord having an equipment-grounding conductor and grounding plug. The plug must be inserted into an appropriate outlet that is properly installed and grounded in accordance with all local codes and ordinances.

The D250 is for use on a nominal 115-volt circuit, and has a grounded plug that looks like the plug in "Fig. A". A temporary adaptor that looks like the adaptor in "Fig. C" may be used to connect this plug to a 2-pole receptacle as shown in "Fig. B", if a properly grounded outlet is not available. The temporary adaptor should be used only until a properly grounded outlet (Fig. A) can be installed by a qualified electrician. The green colored rigid ear, lug, or the like extending from the adaptor must be connected to a permanent ground such as a properly grounded outlet box cover. Whenever the adaptor is used, it must be held in place by a metal screw.

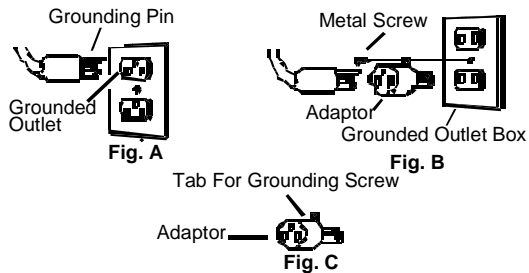
The D250IE is for use on a nominal 230-volt circuit.



WARNING:

Improper connection of the equipment-grounding conductor can result in a risk of electric shock. Check with a qualified electrician or service person if you are in doubt as to whether the outlet is properly grounded. Do not modify the plug provided with the appliance - if it will not fit the outlet, have a proper outlet installed by a qualified electrician.

PROPER GROUNDING (115V)



NOTE: In Canada, the use of a temporary adaptor is not permitted by the Canadian Electrical Code

CHEMICALS

Suitable Chemicals

*Alkalis
Detergents
Hydroxides
Soaps
Vinegar*

Non-Compatible

*Aldehydes
Aromatics Hydrocarbons
SP Butyls
Carbon Tetrachloride
Clorox*
Chlorinated Bleaches
Chlorinated Hydrocarbons
Lysol*
Methyl Ethel Ketone (MEK)
Perchlorethylene (perc)
Phenolics
Trichlorethylene
D-Limonene*

Warning:

Using the incompatible chemicals listed above will damage the machine. Damages of this type are not covered under the 6-3-1 warranty. Carefully read ingredients on manufacturer's label before using any product in this machine.

CARPET INSPECTION:

Determine precisely what areas you are going to clean. Note problem areas in the carpet or tack strip. Look for loose carpet, heavily damaged areas, discolored stains, or grease spots that will require prespotting. Note the carpet type. Check the availability of hot water, drains, and suitable electrical outlets. If the carpet is loose or worn, have it repaired **before** attempting to clean it.

Plan the cleaning route, work from the most remote area towards the exit. Try not to travel over the cleaned areas when getting fresh water or dumping old. Furniture should be moved out away from the walls before cleaning. If furniture is moved back in place before carpet is completely dry, place plastic or foil protectors under the legs to prevent possible carpet staining. When possible use a Windblower (WB3) and open all windows and doors to speed carpet drying.

ACCESSORIES:

The D-250 can be used with the following Windsor equipment: Deluxe Hand Tool (DHT), Pile Jogger(PJ2A), Standard Floor Wands(SFW, SW, SW-PRO, PROW), & Wind Blower carpet dryer(WB3). Contact an authorized Windsor dealer for assistance in choosing the right equipment .

GENERAL INFORMATION:

On heavily soiled carpets, or on areas of high foot traffic, it may be necessary to use a prespray or traffic lane cleaner applied with a Pro-Spray. Do not add presprays to the machine's solution tank. If a spotter is used, follow the manufacturer's instructions exactly as printed on the label. Remove the spotter with the floor tool when done, spotter left in the carpet may bleach or brown it permanently.

As the carpet is being cleaned, check to see if there is foam building up in the recovery bucket.

Add a little defoaming compound to the recovery tank but never to the solution tank.

For infrequent use or long periods of storage, flush the system with a neutralizing solution of 1 quart white vinegar mixed with 2 gallons hot water. Flush the system with clean hot water after neutralizing.

For hose fitting lubrication, use a light silicone lubricant which will not damage o-rings.

PROTECT THIS MACHINE FROM FREEZING.

EQUIPMENT SET-UP:

- 1.) Plug power cable from machine into properly grounded wall outlet.
- 2.) Turn vacuum motor switch on and off to make sure there is electrical power at machine.
- 3.) Connect vac hose to machine. Slide the swivel cuff over the outlet on the tank.
- 4.) Connect the hose set to the machine and wand. Pull back the knurled collar on the quick disconnect coupler and push onto the connection on the chassis. To avoid leaks, check to be sure a positive connection was made.
- 5.) Pour clean, hot water into the solution tank. **To avoid possible tank distortion, water temperature must not exceed 140 F (60C).**
- 6.) Add a non-foaming cleaning solution concentrate, for use in hot water extractors at the proportions noted on the container (See list below), into solution tank. **NOTE: When using powder cleaner, pre-mix with hot water in a clean container before adding to the solution tank.**
- 7.) Turn pump and vacuum switch(s) to the on position. **NOTE: Pump may have to be primed for solution flow.** (See Priming the Pump)
- 8.) Start cleaning.

PRIMING THE PUMP

1. Connect priming hose to solution output on machine.
2. Run open end of priming hose to vacuum intake.
3. Turn pump and both vacuums on and seal off hose going into vacuum in take.
4. Do this for 30 seconds or until pump is putting out a steady flow of water.

OPERATION

HEATER OPERATION

⚠ WARNING: The disconnect fittings on the heater will become extremely hot during operation. Allow sufficient time to cool, or run solution through the machine with the heater turned off before disconnecting the or performing any maintenance on the heater.

Before disconnecting the heater, open wand valve to relieve the system of all pressure by depressing the valve trigger.

DO NOT spray water directly on to the heater. To clean, unplug the unit and wipe with a damp cloth.

⚠ WARNING: Make certain that the solution tank is filled adequately before plugging in the machine and heater.

1. Plug the machine and heater into separate grounded circuits. The heater draws 15 amps of current.
2. Turn the solution pump **ON**. Turn the heater switch **ON**. The solution pump must be turned on **BEFORE** the heater is turned on.

The heater requires about 5-6 minutes to reach operating temperature, approximately 250°F. When turning the machine and heater **OFF**, make certain that you turn the heater off **FIRST**.

EMPTYING AND CLEANING

⚠ WARNING: Always use defoamer if foaming occurs. Foam will suspend large particles that may damage vacuum(s) as well as allow liquid into the vacuum motor(s) without activating the float shutoff.

1. Before proceeding, make certain that the nozzle is functioning properly.
 - a. To check, hold the wand about one foot above the surface to be cleaned and open the wand valve. A full spray should be observed from the nozzle.
 - b. If the nozzle is not showing a full spray pattern, adjust nozzle for proper pattern, clean, or replace nozzle.
2. Normally, chemical is applied on the **push** stroke while vacuuming is done on the **pull** stroke. For heavily soiled carpets the hand tool may be used in the scrubbing manner, applying chemical in both the push and pull stroke.
ALWAYS FINISH UP AN AREA WITH A VACUUM PULL STROKE.

3. When cleaning, keep the working opening (wand mouth) flat on the surface being cleaned. Keep the wand moving when the valve is open.
4. The shutoff float inside the recovery tank will impede the vacuum flow when the tank is full. When this occurs, empty the recovery tank. Do this by opening the dump valve located at the back of the machine. **NOTE:** *Dispose of waste in a proper manner which would not violate any Local, State or Federal law.*
5. Once the recovery tank has been emptied, you may once again proceed with cleaning.

⚠ CAUTION: Operating Vacuum after shutoff has activated could draw water directly into the vac motor. This will cause damage to the motor, therefore voiding your warranty.

⚠ CAUTION: Always test carpet for color fastness in an inconspicuous place. Also, to avoid prolonged drying times, do not spray too much solution in any one area.

SHUT DOWN AND STORAGE

1. Turn Switch OFF. Empty recovery tank completely and rinse several times to remove any dirt or debris that may be left behind.
2. Drain any unused cleaning solution from solution tank and rinse with clean water to remove any suds left behind by the cleaning chemicals. **NOTE:** *Dispose of waste in a proper manner which would not violate any Local, State or Federal law*
3. Run a small amount of clean water through pump if chemicals were used. This will help insure the life of your pump.
4. Check the spray jet on the cleaning tool for full spray pattern and inspect vac head for any obstructions.
5. Remove as much moisture from system before storing in cold climates. Excess water may freeze during storage and crack internal components, causing damage to the unit.

⚠ WARNING: Before making any adjustments or performing any maintenance to your machine, disconnect the power cord from the electrical source.

DAILY MAINTENANCE:

(At the end of each working day) :

- 1.) Flush the entire system, including floor tool, hand tool, etc., with 1 to 3 gallons of clean, hot water.
- 2.) Vacuum out the solution tank .
- 3.) Rinse tank with fresh water. Periodically inspect the recovery tank and decontaminate if necessary, using a Hospital Grade Virucide or a 1-10 bleach to water solution. Waste water should be disposed of properly.
- 4.) Remove lint build-up from the float shut-off screen in the recovery tank . (Occasionally check filter screen at the bottom of the solution tank and rinse clean with hot water if necessary).
- 5.) Inspect hoses for wear. Frayed or cracked hoses should be replaced to avoid vacuum or solution pressure loss.
- 6.) Inspect power cord for wear or damage. This cable will lay on wet carpet. To prevent electrical shock replace cords that are frayed or have cracked insulation immediately.
- 7.) Ensure automatic shut-off ball is working properly.
- 8.) Clean all dirt and obstructions from drain valve and gaskets to prevent possible leakage and premature wear.
- 9.) Run clean water through solution pump when work is complete.
- 10.) Empty both tanks and rinse, run vacuum (s) for at least one minute to dry motor(s).
- 11.) Store with access covers removed to allow tanks to dry.

PERIODIC MAINTENANCE

- 1.) Twice a month, flush a white vinegar solution (One quart vinegar to two gallons of water) or anti-browning solution (mixed as directed) through the extractor, turning pump switch on/off several times, flush with clean water. This will prevent build-up of alkaline residue in the system.
- 2.) Check hoses for wear, blockages, or damage. Frayed or cracked hoses should be repaired or replaced to eliminate vacuum or solution pressure loss.

- 3.) Check all handles, switches, knobs, electrical cables and connections on your machine for damage. If the cable insulation is broken or frayed, repair or replace it immediately. Don't take chances with electrical fire or shock.
- 4.) Clean out solution tank and remove and clean solution screen.
- 5.) Clean outside of all tanks and check for damage.

MONTHLY MAINTENANCE

- 1.) Check all bearings for noise and wear.
- 2.) Check all gaskets for wear and leakage.
- 3.) Check pump pressure; observe spray pattern and check with gauge if necessary.
- 4.) Check overall performance of machine.
- 5.) Grease piston inside pressure regulator.

SEMI-ANNUALLY

- 1.) Check vacuum motor brushes.

LUBRICATION

For hose fitting lubrication, use a light silicone lubricant which will not damage o-rings.

STORAGE

Thoroughly clean machine if it is to be stored. Protect this machine from freezing while in storage.

HEATER MODEL STORAGE

Be sure to thoroughly drain water out of heater lines prior to storage in colder climates. This heater will freeze and possibly crack, voiding your warranty.

MAINTENANCE

SERVICE SCHEDULE

MAINTENANCE	DAILY	WEEKLY	QUARTERLY
Check machine for cord damage	*		
Check recovery dome and gasket for damage and cleanliness	*		
Check hoses for wear, blockages, or damage	*		
Check handles, switches, and knobs for damage	*		
Check vac motor intake filter and clean	*		
Run one gallon of water through system	*		
Clean out recovery tank and check float valve to make sure it moves freely	*		
Clean out solution tank and remove and clean vacuum intake screen	*		
Clean outside of all tanks and check for damage	*		
Run vac motor for at least one minute to allow motor to dry	*		
Store with dome off tank to allow the tank to dry	*		
Check all gaskets for wear and leakage		*	
Check vacuum intake screen for damage; replace if necessary		*	
Check pump pressure; observe spray pattern and check with gauge if necessary		*	
Check and clean solution screen		*	
Check cables for fraying		*	
Check overall performance of machine		*	
Check vac motor carbon brushes			*



WARNING:

ONLY QUALIFIED MAINTENANCE PERSONNEL ARE TO PERFORM THE FOLLOWING REPAIRS.

VACUUM MOTOR REPLACEMENT

1. Turn off all switches and unplug machine.
2. Remove recovery tank.
3. Locate the vacuum motor wires and disconnect at the connector.
4. Remove the vacuum motor.
5. Reverse process to install vacuum motor.

SOLUTION PUMP REPLACEMENT

1. Turn off all switches and unplug the machine.
2. Remove recovery tank.
3. Remove solution hoses from fittings in pump.
4. Remove the (2) screws that fasten the pump to the frame.
5. Reverse process to install pump.

Vac Motor Carbon Brushes Replacement

WARNING: The green ground wire must be attached for safe operation. See wiring diagram.

Note: When replacing carbon vac motor brushes loosen wire terminal **BEFORE** removing screws on bracket.

If armature commutator is not concentric, extremely pitted, or grooved the motor will need to be replaced or sent to a qualified service center to restore vac performance.

Important: These brushes wear quicker as the length shortens due to increased heat. **Spring inside brush housing will damage motor if brushes are allowed to wear away completely.**

3/8

Periodically check the length of the carbon brushes. Replace both carbon brushes when either is less than 3/8" long.

MAINTENANCE & TROUBLESHOOTING

D-250 PUMP MAINTENANCE

Per manufacturer's recommendations the following maintenance should be performed utilizing noted kits:

- 1.) 500 hours-Kit 55250751 replaces the V-packing, wave washer, packing spreader and plunger guide.
- 2.) 500 hours-Kit 55250753 replaces the CAM bearing and insert.
- 3.) 1000 hours-kit 55250752 valve assembly and o-rings.

NOTE: Maintenance and repairs must be done by qualified personnel. Using non-Windsor parts to repair this machine will void the warranty. Contact an authorized Windsor dealer for complete details.

TROUBLE SHOOTING CHART :

PROBLEM	POSSIBLE CAUSE	SOLUTION
No power to machine	Dead electrical circuit	Check building circuit breaker or fuse box.
	Faulty power cord	Replace.
Electrical shock	Equipment not grounding	Follow grounding instructions exactly.
	Receptacle not grounded	Contact an electrician to check building's wiring.
	Internal wiring problem	Have a trained service technician check machine's wiring.
Vac motor speed varies or doesn't run	Worn motor brushes	Replace.
	Motor worn out	Replace.
	Faulty switch	Replace.
Loss of Vacuum	Loose vacuum dome	Center and seal dome over tank.
	Crack in dome or poor joint	Replace or repair using acrylic plastic cement only.
	Lint or dirt clogging vacuum screen	With power off clean screen.
	Loose cuffs on vacuum hose	Tighten cuffs turning counterclockwise.
	Vac motor seals leaking	Replace.
	Floor tool vac chamber clogged	Wash out with hose. Pick lint out with a wire.
Vac motor, hose, or dome gasket	Replace.	

TROUBLESHOOTING CONT.

Solution hose fitting hard to connect	Corrosion on fittings	Clean with steel wool. Soak in acetic acid (white vinegar). Lubricate lightly with silicone base lubricant.
Carpet not getting clean.	Severe soil conditions	Make several passes at right angles to other. Use a prespray.
Carpet too wet	Over saturation	Adjust solution pressure to lower setting. Make several passes without spray.
Carpet browning	Leaving carpet too wet	Check for loss of vac pressure.
	Too much chemical in	Check label for correct solution concentration.
Solution not flowing properly	Solution hose connection	Check for positive connection
	Faulty pump	Repair or replace.
	Faulty floor tool valve	Repair or replace.
	Faulty pump switch	Repair.

TECHNICAL SPECIFICATIONS

POWER TYPE

ELECTRICAL: 115 V, 60 Hz, 15 Amps per power cable ((D250)
230 V, 50 Hz, 15 Amps (D250IE)

ELECTRIC VACUUM MOTOR: (1) –2/1.25 HP, 2 stage, Waterlift –150” (381cm)

SOLUTION PUMP: 250 psi, adj.

SOLUTION CAPACITY: 17 gallons (64.3ltr)

RECOVERY CAPACITY: 15 gallons (56.75ltr)

GENERAL DIMENSIONS/WEIGHT

WEIGHT: 97 lbs. (44 kg)

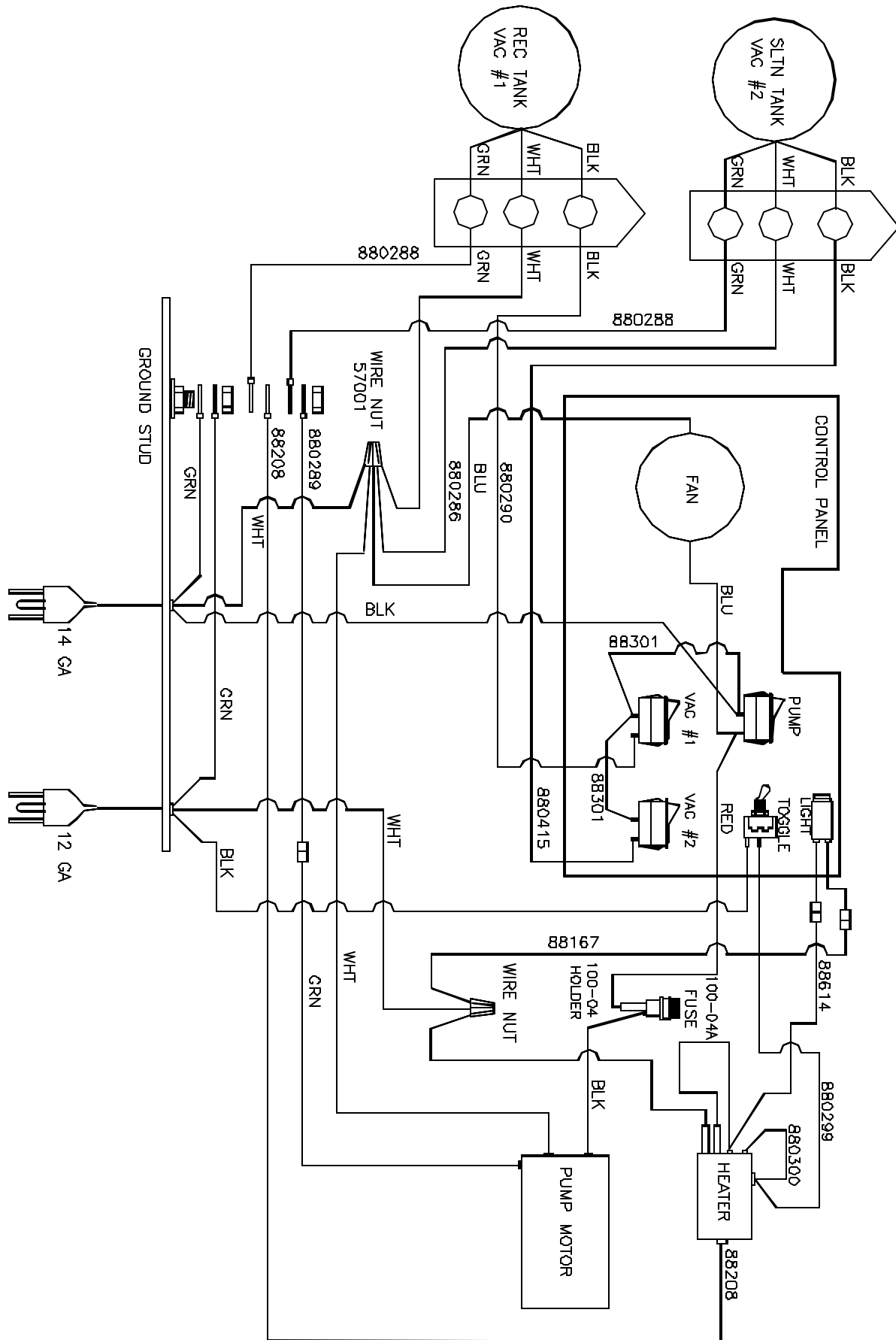
LENGTH: 20” (50.80 cm)

HEIGHT: 36” (91.44 cm)

WIDTH: 16” (40.64 cm)

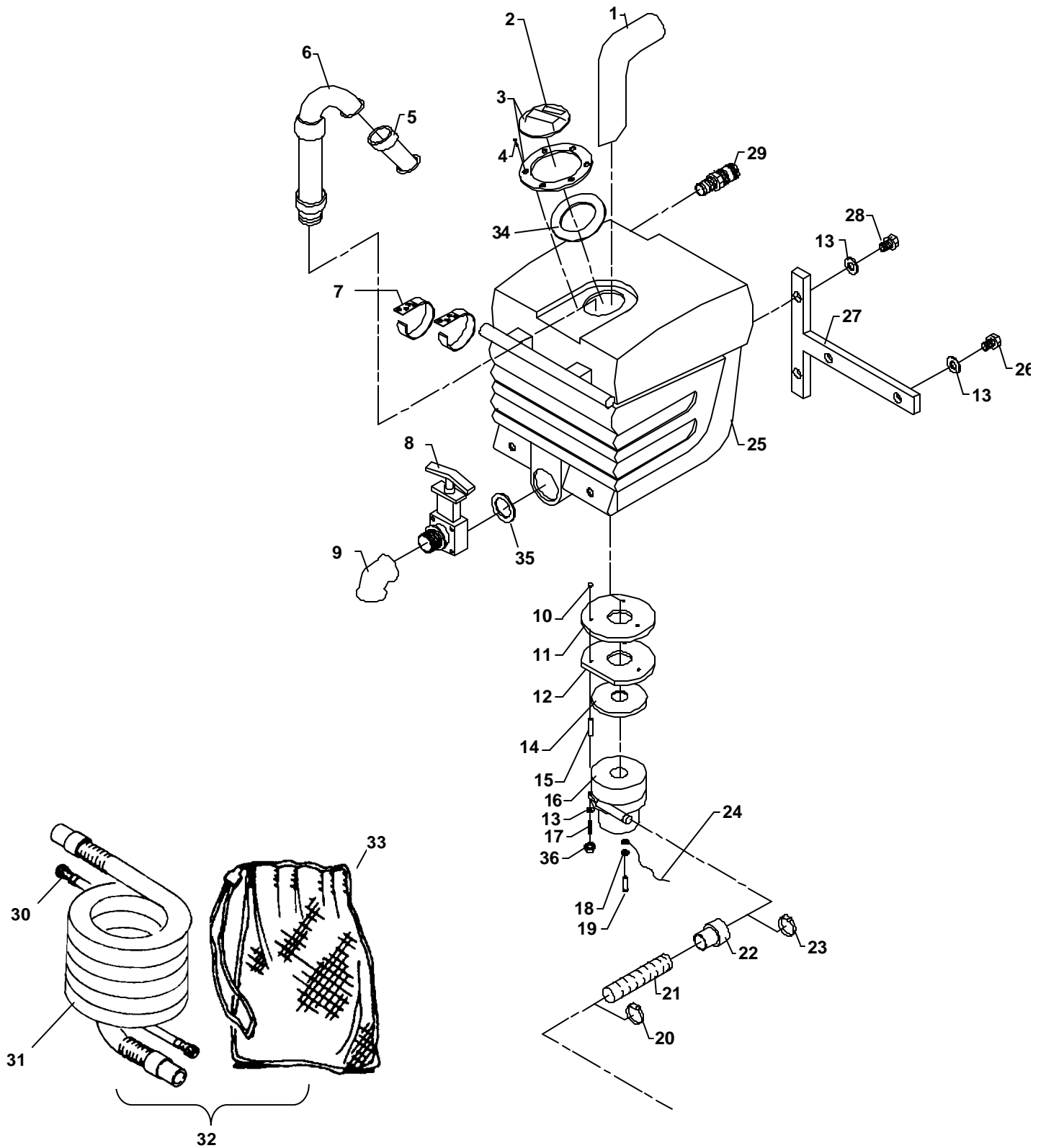
POWER CABLE: 2-25' (6.35 m) (D250)
1-25' (6.35 m) (D250IE)

115V WIRING DIAGRAM



THIS PAGE LEFT BLANK INTENTIONALLY

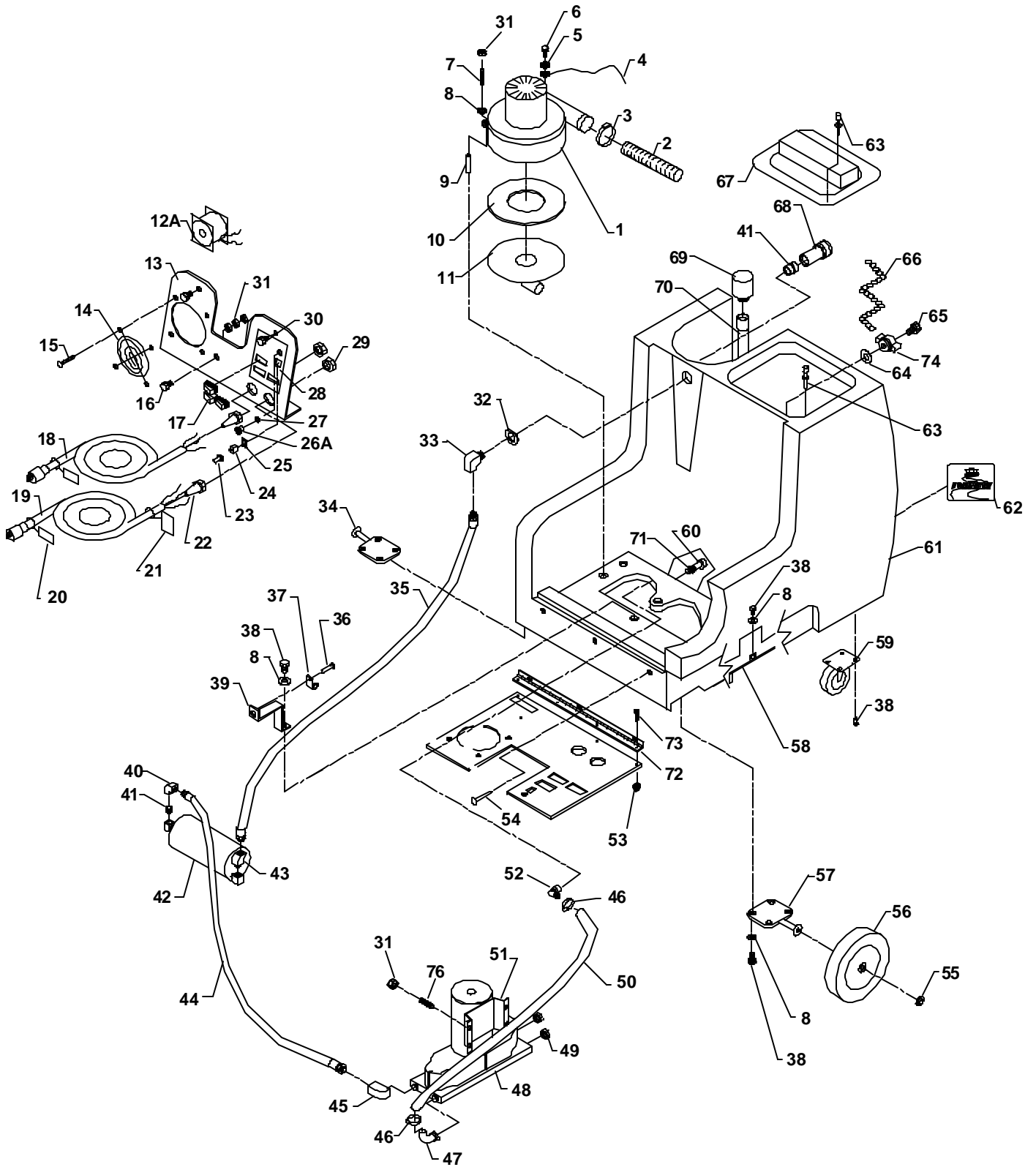
RECOVERY TANK ASSEMBLY



RECOVERY TANK ASSEMBLY

REF	PART NO.	QTY	DESCRIPTION	SERIAL NO. FROM	NOTES:
1	05151	1	TUBE ASM, RECOVERY TANK		
2	500009	1	LABEL, WARNING		
3	260-64A	1	ACCESS COVER CLEAR 6" W/RIM		
4	70546	6	SCR, 8 X 3/4 PFHT/S BLK ZINC		
5	090-12A	1	FLOAT CAGE ASSY COMPLETE SLIP		
6	78475	1	VAC STACK ASM, 17 GAL PORTABLES		
7	320-05	2	VELCRO STRAPS		
8	15-808123	1	DUMP VALVE 2"		
9	11-800444	1	ELBOW, 1.5 2" 45D PVC SCH40		
10	390-26	3	SPACER NYLON 1/4 ID X 1/2 OD		
11	35168	1	GASKET VAC MTR		
12	360-24	1	PLATE, VAC		
13	87013	7	WASHER, 1/4 ID X 5/8 OD SS		
14	35166	1	GASKET, VAC MTR		
15	065-92	3	VAC SPACER 2 1/4 II STAGE		
16	85047	1	VAC MTR ASM, D/B RCVRY 115V 2ST		
17	70813	1	STUD, 1/4-20 X 3.5 SS		
18	87016	3	WASHER, #10 LOCK EXT STAR SS		
19	70335	1	SCR, 10-32 X 1/2 PHTR GRN/GRND		
20	20063	1	CLAMP, 1.75" WORM GEAR X .312		
21	39337	1	HOSE, 1.5 BLK VAC X 24"		
22	27508	1	CUFF, VAC HOSE BLU		
23	20046	1	CLAMP, 2.25" WORM GEAR		
24	880292	1	WIRE, 4" GRN/14 76010 X 76014		
25	75334	1	TANK, RECOVERY DB DK GRY		
26	70015	2	SCR, 1/4-20 3/4 HHCS SS DL		
27	065-25	1	TANK BRACE ASM, D/B		
28	70020	2	SCR, 1/4-20 X 1/2 HHCS SS NP		
29	40001R	1	HOSEBARB, 1.5 MPT X 1.5		
30	39574	1	HOSE ASM, 1/4 HP SLTN 16.5FT		
31	150-44A	1	VAC HOSE 16-1/2' W/CUFFS 1 1/2		
32	47356	1	KIT, HOSE ASM W/BAG DOM50		
33	150-65	1	HOSE BAG 24" X 36"		
34	35255	1	GASKET, TANK LID		
35	35256	1	GASKET, DUMP VALVE		
36	57105	3	NUT, 1/4-20 HEX W/ STAR WASHER		

SOLUTION TANK ASSEMBLY



SOLUTION TANK ASSEMBLY

REF	PART NO.	QTY	DESCRIPTION	SERIAL NO. FROM	NOTES:
1	85045	1	VAC MTR ASM, D/B SLTN 115V 2ST		
2	39582	1	HOSE, VAC EXHAUST X 9"		
3	20046	1	CLAMP, 2.25" WORMGEAR		
4	880292	1	WIRE, 4" GRN/14 76010 X 76014		
5	87016	1	WASHER, #10 LOCK EXT STAR SS		
6	70335	1	SCR, 10-32 X 1/2 PHTR GRN/GRND		
7	70813	3	STUD, 1/4-20 X 3.5 SS		
8	87013	13	WASHER, 1/4 ID X 5/8 OD SS		
9	065-92	3	VAC SPACER 2 1/4 II STAGE		
10	35166	1	GASKET, VAC MTR		
11	360-24A	1	PLATE ASM, VAC 90 DEG		
12A	070-08	1	FAN 105 CFM AXIAL		
13	065-91	1	PANEL ASM, CONT. 3 SW W/HEAT		
14	070-08A	1	FAN FINGER GUARD		
15	70626	4	SCR, #10 X 3/4 PPHST HI-LO BLK		
16	70018	1	SCR, 1/4-20 X 1 HHCS SS		
17	72142	3	SWITCH, SPST 15A EURO ROCKER		
18	060-04A	1	CORD 25' BLK 14/3 SJTW/A PLUG		
19	060-04	1	CORD 25' BLK 12/3 SJTW/A PLUG		
20	170-41	2	LABEL CIRCUIT INTERRUPTER		
21	170-31	1	HEATER MATE WARNING TAG		
22	73195	2	STRAIN RELIEF, 1/2 NPT (.48M)		
23	330-06	1	TOGGLE SWITCH BOOT		
24	330-05	1	TOGGLE SWITCH		
25	3350-04	1	TOGGLE SWITCH PLATE ON/OFF		
26A	51116	1	LIGHT ASM, 115V BRUSH WEAR		
27	22046	1	CLIP, NEON LAMP		
28	500345	1	LABEL, DOM3 SWITCH W/HEAT		
29	57040	2	NUT, 1/2 NPT CONDUIT		
30	140-11	2	KNOB RT/TANK		
31	57105	8	NUT, 1/4-20 HEX W/STAR WASHER		
32	87217	1	WASHER, 9/16 ID MCHD		
33	030-16	1	ELBOW, 1/4 NPT STREET LONG 90D		
34	010-02	1	AXLE ASM, RIGHT		
35	151-50C	1	DB 200PSI PUMP TO QD		
36	70088	1	SCR, 10-32 X 1/2 PPHMS SS NP		
37	20008	1	CLAMP, 5/8 NYLON UL/USA		
38	70393	18	SET SCR, 1/4-20 X 1.25L		
39	065-26	1	HEATER MOUNT ASM, D/B		
40	31017	1	ELBOW, 1/4 FPT X FPT UNION		
41	56014	2	NIPPLE, 1/4 CLOSE		
42	130-17D	1	HEATER ASM, DB COMPLETE		
43	31021	1	ELBOW, 1/4 NPT 45D STREET		
44	151-51C	1	DB 200PSI PUMP TO HEATER		
45	31016	1	ELBOW, 1/4 NPT STREET		
46	20042	2	CLAMP, 3/8 HOSE (D-SLOT)		
47	40047	1	HOSEBARB, 1/4NPT X 1/2H 90D DL		
48	250-79	1	PUMPTEC 200PSI PUMP & MOTOR		
49	66017	2	PLUG, 1/4 BRASS PIPE		
50	39174	1	HOSE, 1/2 WIRE BOUND X 23"		
51	065-28A	1	PLATE, PUMP MOUNT		
52	40027	1	HOSEBARB, 3/8MPT X 1/2 90D DL		
53	57187	4	NUT, 6-32 ACORN, ZINC		

SOLUTION TANK ASSEMBLY CONT'

REF	PART NO.	QTY	DESCRIPTION	SERIAL NO. FROM	NOTES:
54	70232	2	SCR, 10-32 X 3/8 FHMS SS		
55	57196	2	NUT, 1/2 PUSH-ON DOME CAP		
56	040-06	1	WHEEL 8" BLK CENTERED HUB		
57	010-01	1	AXLE ASM, LEFT		
58	065-28	2	DIAMONDBACK 200 PUMP SUPPORT		
59	040-03	1	CASTER SWIVEL 4" SWIVEL		
60	290-08	1	SOL SCREEN (ACORN) W/RUB BASE		
61	75349	1	TANK, SOLUTION DOM 250 DK BLU		
62	500378	2	LABEL, DOMINATOR		
63	280-02	2	RIVIT AL. 3/16 X 1/2 CLOSED		
64	390-24	2	WASHER 1/4 X 5/8 BONDED NEOPRN		
65	140-12	1	KNOB 1/4-20 X 3/4 S/S CUPPOINT		
66	27912	1	CHAIN ASM, #10 BEAD S/S W/EVES		
67	260-71	2	SOLUTION COVER D/B		
68	56012	1	NIPPLE 1/4 FPT QD		
69	250-35	1	D/B BPR 200PSI		
70	151-50B	1	HOSE, 42" GRY 3/8 1/4 MPTXCUT		
71	250-15	1	HOSEBARB, 3/8 NPT X 3/8H		
72	41393	1	HINGE, ACCESS PANEL		
73	70127	4	SCR, 3-32 X 1/4 PPHMS SS		
74	48100	1	KNOB, HEX PRESS LOC WING		
75	57037	1	NUT, 1/4-20 WING SS		NOT SHOWN
76	70393	2	SET SCR, 1/4-20 X 1.25L		

SUGGESTED SPARE PARTS

DESCRIPTION	PART NUMBER
FUSE 3 AMP 200 PSI	150-04A
BPR REPAIR KIT PUMPTEC	250-33A
THERMOSTAT W/SPADE LEADS	130-14I
THERMOSTAT RESET	130-14C
PUMPTEC 300/400PSI PUMP KIT 1	250-79E
PUMPTEC 300PSI PUMP KIT 2	250-79F
PUMPTEC 300PSI REBUILD KIT 3	250-79G
CARBON BRUSHES, VAC MOTOR	140370
VAC MOTOR ASM, RCVRV 115V 2ST	85047
VAC MOTOR ASM, SLTN 115V 2ST	85045
PUMPTEC 200PSI PUMP & MOTOR	250-79
ROCKER SWITCH 2 PRONG	330-02
WHEEL 8" BLK CENTERED HUB	040-06
NUT, 1/2 PUSH-ON DOME CAP	57196
CASTER SWIVEL 4" SWIVEL	040-03
KNOB RT/TANK	140-11
ACCESS COVER CLEAR 6" W/RIM	260-64A
SOL SCREEN (ACORN) W/RUB BASE	290-08
DUMP VALVE SEAL 1-1/2"	370-08
LIGHT ASM, 115V BRUSH	51116
TOGGLE SWITCH	330-05
HOSE, PRIMING KIT FEMALE QC	39572



WINDSOR INDUSTRIES

New Machine Warranty

Limited Warranty

Windsor Industries, Inc. warrants new machines against defects in material and workmanship under normal use and service to the original purchaser. Any statutory implied warranties, including any warranty of merchantability or fitness for a particular purpose, are expressly limited to the duration of this written warranty. Windsor will not be liable for any other damages, including but not limited to indirect or special consequential damages arising out of or in connection with the furnishing, performance, use or inability to use the machine. This remedy shall be the exclusive remedy of the buyer. The warranty period is subject to the conditions stated below.

6 / 3 / 1 Warranty: 6 Years Polyethylene (PE) Housings, 3 Years Parts, and 1 Year Service Labor

Subject to conditions outlined below, Windsor Industries warrants rotationally molded PE housings and parts on all of its machines to be free from defects in material and workmanship, under normal use and service for six (6) years to the original owner.

Under this warranty we guarantee the performance of non-polyethylene parts and components to be free from defects and for up to three (3) years to the original end user. Parts replaced or repaired under this warranty are guaranteed for the remainder of the original warranty period. (See table below)

Service labor charges are covered for up to one (1) year from the date of purchase through authorized Windsor service provider. No travel coverage is extended for cord-electric models. See table below for each general product model warranty coverage.

Product	PE Housing & Parts	Non- PE Parts	Service Labor	Travel
Rider Scrubbers	6 years	3 years	1 years	6 Months
Rider Sweepers	6 years	1 year	1 years	6 Months
Walk Behind Scrubbers	6 years	3 years	1 years	6 Months
Walk Behind Sweepers	6 years	1 year	1 years	6 Months
Extractors	6 years	3 years	1 years	-
Polishers / Elec. Burnishers / GH	6 years	3 years	1 years	-
Wide Areas Vacuums	6 years	3 years	1 years	-
VacPak Vacuums	6 years	1 year	1 year	-
Air Movers / Dri-matic / TITAN™	1 year	1 year	1 year	-
Propane Burnishers / Strippers	-	2 year	1 year	-
Tracer/Flex Sweepers/Scrubbers	6 years	2 year	6 months	90 days

VERSAMATIC®	Brush motor, Vacuum motor, Belts – 3 years	All other parts – 1 year
SENSOR®	Vacuum motor, Belts – 2 years	All other parts – 1 year

Product exceptions and Exclusions:

- Extractor brush motors, pump motors, **ALL** PC boards and electronics, **ALL** Vacuum motors (other than VERSAMATIC® and SENSOR®), **ALL** pumps, and FLEXSOL™ diaphragms carry a one (1) year parts and service labor warranty.
- The Onan® engines have three (3) year manufacturer’s warranty. The Honda® and Kawasaki® engines have two (2) year manufacturer’s warranty. **NOTE:** The engine warranty is administered through the engine manufacturer and must be repaired at an authorized service center.

Normal wear items and accessories including, but not limited to, belts, brushes, capacitors, carbon brushes, casters, clutches, cords, filters, finishes, gaskets, hoses, light bulbs, rectifiers, switches, squeegees, bearings, pulleys, relays, actuating cables, wheels, tires, propane tanks, and batteries will be warranted for manufacturing defects for 90-days from the purchase date.

The warranty commences on the purchase date by the original end user from an authorized Windsor agent, subject to proof of purchase. The Machine Registration Card must be completed and returned immediately at the time of purchase. If proof of purchase cannot be identified, the warranty start date is 90 days after the date of sale to an authorized Windsor distributor. Parts replaced or repaired under warranty are guaranteed for the remainder of the original warranty period.



WINDSOR INDUSTRIES New Machine Warranty

90 Day Warranty Extension Available

Upon receipt of the Machine Registration Card, Windsor will extend by 90 days, from the date of purchase, all items included under the one-year provision. This applies only to one-year items and does not include 90-day wear items.

This Warranty Shall Not Apply To:

1. Any product that has been subject to abuse, misuse, neglect or unauthorized alteration (including the use of incompatible or corrosive chemicals or overloading of capacity).
2. Products that have experienced shipping or freight damage.
3. Repairs necessary to correct any failure due to improper pre-delivery service and inspection by the selling dealer.
4. Excessive time for cleaning units in preparation for repair.
5. Any repairs resulting from poor initial service work or improper diagnosis.
6. Tune-up parts such as plugs, plug wires and condensers.
7. Any design alterations performed by an organization not authorized or specified by Windsor.
8. Battery and charger warranties are handled directly with the manufacturer (Trojan® batteries and Lester® chargers).
9. High-pressure washing.
10. Electrical components exposed to moisture.

If difficulty develops during the warranty period, contact the authorized Windsor agent from whom the product was purchased. Windsor Industries, Inc. may elect to require the return of components to validate a claim. Any defective part to be returned must be shipped freight prepaid to an authorized Windsor Distributor/Service Center or to the Windsor factory.

Use Of Parts Not Approved By Windsor Industries, Inc. Will Void All Warranties

This warranty is valid only for all products sold after July 1, 1995. A product sold before that date shall be covered by the limited warranty in effect at the date of sale to the original purchaser.

Free Manuals Download Website

<http://myh66.com>

<http://usermanuals.us>

<http://www.somanuals.com>

<http://www.4manuals.cc>

<http://www.manual-lib.com>

<http://www.404manual.com>

<http://www.luxmanual.com>

<http://aubethermostatmanual.com>

Golf course search by state

<http://golfingnear.com>

Email search by domain

<http://emailbydomain.com>

Auto manuals search

<http://auto.somanuals.com>

TV manuals search

<http://tv.somanuals.com>