

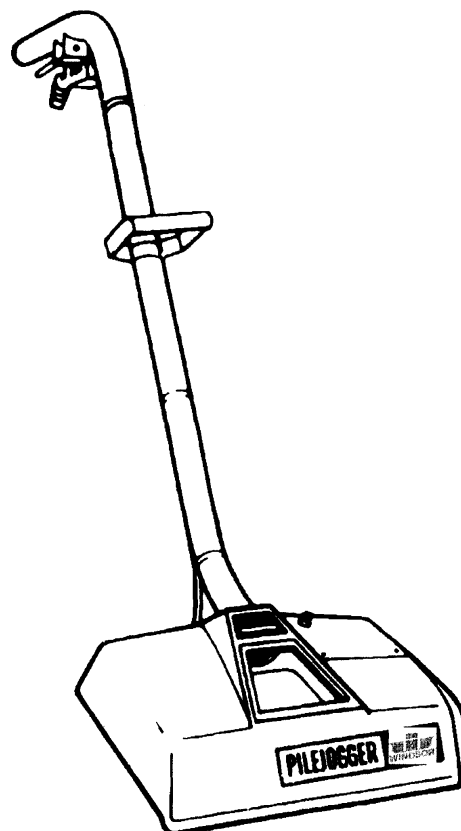
PILEJOGGER II



Operating Instructions (ENG)

MODELS: PJ2A
PJ2AIE

8.604-176.0
8.604-177.0



Read instructions before operating the machine.

8603750 - G 03/04/08
PRV NO. 98018

MACHINE DATA LOG/OVERVIEW

MODEL _____

DATE OF PURCHASE _____

SERIAL NUMBER _____

SALES REPRESENTATIVE # _____

DEALER NAME _____

OPERATIONS GUIDE NUMBER _____

PUBLISHED _____

Copyright 1999 Windsor Industries, Printed in USA

YOUR DEALER

Name: _____

Address: _____

Phone Number: _____

OVERVIEW

The PILEJOGGER can be operated with all Windsor® hot water soil extractors. If used with other machines, the extraction unit pump must produce a minimum of 25 psi. If the Pilejogger is be used with the Dominator Professional or other machines capable of 200psi, correctly sized stainless steel jets are required (order optional SS Jet Kit 86025360 -PRV NO.#47058).



WARNING:

Do NOT use with extractors producing over 200 psi.

TABLE OF CONTENTS

Machine Data Log/Overview.....2
Table of Contents.....3

HOW TO USE THIS MANUAL

How to use this Manual..... 1-1

SAFETY

Important Safety Instructions2-1
Hazard Intensity Level.2-2
Grounding Instructions.....2-3

OPERATIONS

How the Machine Works.3-1

MAINTENANCE

Daily Maintenance.4-1
Machine Troubleshooting.....4-1
Wiring Diagram.4-1

GROUP PARTS LIST

Pilejogger Assembly.5-1
230V Service Parts.5-3
Warranty.5-4

HOW TO USE THIS MANUAL

This manual contains the following sections:

- HOW TO USE THIS MANUAL
- SAFETY
- OPERATIONS
- MAINTENANCE
- PARTS LIST

The HOW TO USE THIS MANUAL section will tell you how to find important information for ordering correct repair parts.

Parts may be ordered from authorized Windsor dealers. When placing an order for parts, the machine model and machine serial number are important. Refer to the MACHINE DATA box which is filled out during the installation of your machine. The MACHINE DATA box is located on the inside of the front cover of this manual.

MODEL _____
DATE OF PURCHASE _____
SERIAL NUMBER _____
SALES REPRESENTATIVE # _____
DEALER NAME _____
OPERATIONS GUIDE NUMBER _____
PUBLISHED _____
<small>Copyright 1999 Windsor Industries, Printed in USA</small>

The model and serial number of your machine is on the bottom back-end of the machine.

The SAFETY section contains important information regarding hazard or unsafe practices of the machine. Levels of hazards is identified that could result in product or personal injury, or severe injury resulting in death.

The OPERATIONS section is to familiarize the operator with the operation and function of the machine.

The MAINTENANCE section contains preventive maintenance to keep the machine and its components in good working condition. They are listed in this general order:

- Daily Maintenance
- Troubleshooting
- Wiring Diagram

The PARTS LIST section contains assembled parts illustrations and corresponding parts list. The parts lists include a number of columns of information:

- **REF** – column refers to the reference number on the parts illustration.
- **PART NO.** – column lists the part number for the part.
- **PRV NO.** – Reference number
- **QTY** – column lists the quantity of the part used in that area of the machine.
- **DESCRIPTION** – column is a brief description of the part.
- **SERIAL NO. FROM** – column indicates the first machine the part number is applicable to. When the machine design has changed, this column will indicate serial number of applicable machine. The main illustration shows the most current design of the machine. The boxed illustrations show older designs. If column has an asterisk (*), call manufacturer for serial number.
- **NOTES** – column for information not noted by the other columns.

NOTE: If a service or option kit is installed on your machine, be sure to keep the KIT INSTRUCTIONS which came with the kit. It contains replacement parts numbers needed for ordering future parts.

IMPORTANT SAFETY INSTRUCTIONS

When using an electrical appliance, basic precaution must always be followed, including the following:

READ ALL INSTRUCTIONS BEFORE USING THIS MACHINE.



WARNING:

To reduce the risk of fire, electric shock, or injury:

Do not operate without filters (dry or wet) in place.

Use only indoors. Do not use outdoors or expose to rain.

Use only as described in this manual. Use only manufacturer's recommended components and attachments.

If the machine is **not working properly**, has been dropped, damaged, left outdoors, or dropped into water, return it to an authorized service center.

Do not operate the machine with any openings blocked. Keep openings free of debris that may reduce airflow.

This machine **is not** suitable for picking up hazardous dust.

Machine can cause a fire when operating near flammable vapors or materials. Do not operate this machine near flammable fluids, dust or vapors.

This machine is suitable for commercial use, for example in hotels, schools, hospitals, factories, shops and offices for more than normal housekeeping purposes.

Maintenance and repairs **must be done** by qualified personnel.

During operation, attention shall be paid to other persons, especially children.

When leaving unattended, secure against unintentional movement.

The machine shall only be operated by instructed and authorized persons.

When leaving unattended, switch off or lock the main power switch to prevent unauthorized use.

Do not handle the plug or machine with wet hands.

Do not unplug machine by pulling on cord. To unplug, grasp the plug, not the cord.

Do not use with damaged cord or plug. Follow all instructions in this manual concerning grounding the machine.

Do not pull or carry by cord, use cord as a handle, close a door on cord, or pull cord around sharp edges or corners.

Do not pull/run machine over cord. **Keep** cord away from heated surfaces.

Connect to a **properly** grounded outlet. See Grounding Instructions.

SAVE THESE INSTRUCTIONS

HAZARD INTENSITY LEVEL

The following symbols are used throughout this guide as indicated in their descriptions:

HAZARD INTENSITY LEVEL

There are three levels of hazard intensity identified by signal words -**WARNING** and **CAUTION** and **FOR SAFETY**. The level of hazard intensity is determined by the following definitions:

⚠ WARNING

WARNING - Hazards or unsafe practices which COULD result in severe personal injury or death.

⚠ CAUTION

CAUTION - Hazards or unsafe practices which could result in minor personal injury or product or property damage.

FOR SAFETY: To identify actions which must be followed for safe operation of equipment.

Report machine damage or faulty operation immediately. Do not use the machine if it is not in proper operating condition. Following is information that signals some potentially dangerous conditions to the operator or the equipment. Read this information carefully. Know when these conditions can exist. Locate all safety devices on the machine. Please take the necessary steps to train the machine operating personnel.

FOR SAFETY:

DO NOT OPERATE MACHINE:

Unless Trained and Authorized.

Unless Operation Guide is Read and understood.

In Flammable or Explosive areas.

In areas with possible falling objects.

WHEN SERVICING MACHINE:

Avoid moving parts. Do not wear loose clothing; jackets, shirts, or sleeves when working on the machine. Use Windsor approved replacement parts.

GROUNDING INSTRUCTIONS

THIS PRODUCT IS FOR COMMERCIAL USE ONLY.

ELECTRICAL:

In the USA this machine operates on a standard 15 amp 115V, 60 hz, A.C. power circuit. The amp, hertz, and voltage are listed on the data label found on each machine. Using voltages above or below those indicated on the data label will cause serious damage to the motors.

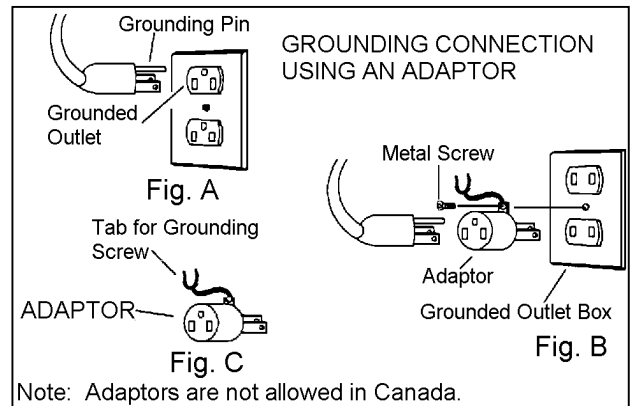
EXTENSION CORDS:

If an extension cord is used, the wire size must be at least one size larger than the power cord on the machine, and must be limited to 50 feet (15.5m) in length.

GROUNDING INSTRUCTIONS:

This appliance must be grounded. If it should malfunction or break down, grounding provides a path of least resistance for electric current to reduce the risk of electric shock. This appliance is equipped with a cord having an equipment-grounding conductor and grounding plug. The plug must be inserted into an appropriate outlet that is properly installed and grounded in accordance with all local codes and ordinances.

This appliance is for use on a nominal 120-volt circuit, and has a grounded plug that looks like the plug in "Fig. A". A temporary adaptor that looks like the adaptor in "Fig. C" may be used to connect this plug to a 2-pole receptacle as shown in "Fig. B", if a properly grounded outlet is not available. The temporary adaptor should be used only until a properly grounded outlet (Fig. A) can be installed by a qualified electrician. The green colored rigid ear, lug, or wire extending from the adaptor must be connected to a permanent ground such as a properly grounded outlet box cover. Whenever the adaptor is used, it must be held in place by a metal screw.



Improper connection of the equipment-grounding conductor can result in a risk of electric shock. Check with a qualified electrician or service person if you are in doubt as to whether the outlet is properly grounded. Do not modify the plug provided with the appliance - if it will not fit the outlet, have a proper outlet installed by a qualified electrician.

OPERATIONS

USING PILEJOGGER II WITH EXTRACTOR

1. Connect vacuum and solution hoses to PILEJOGGER.
2. Plug power cord into properly grounded outlet.
3. Move PILEJOGGER to starting place. Turn on brush drive motor by depressing foot switch located on top of cleaning head. Depress solution valve lever fully and move backward at a steady pace (25 to 30 feet per minute).
NOTE: Lift the handle slightly as you move backward so the weight is almost off the rear roller. This will bring the vacuum orifice and brush into proper contact with carpet.
4. Release solution valve lever approximately 6 inches before reaching the end of the cleaning pass to ensure that all solution is extracted.
5. Make the next cleaning pass beside the first, overlapping about 1 inch.
6. Reverse direction and clean balance of room.
CAUTION: To prevent possible damage to the carpet, never let the PILEJOGGER stand in one place with the brush running.

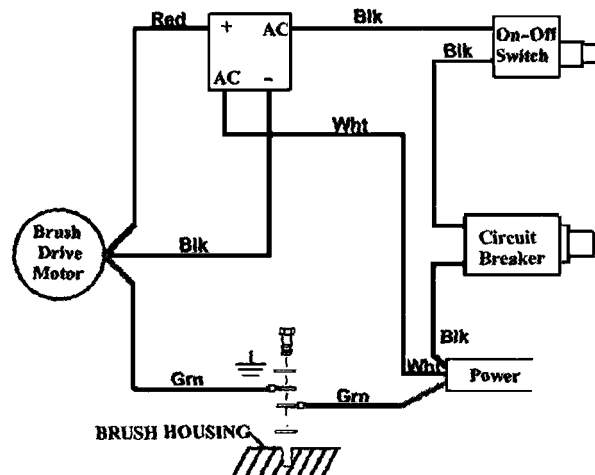
DAILY MAINTENANCE

1. Vacuum unused cleaning solution from solution tank into recovery bucket.
2. Flush two gallons of clean water through pumping system of extractor, PILEJOGGER and hand tools. Twice a month, flush a vinegar solution (one quart white vinegar to two gallons water) or browning prevent solution (mixed as directed) through extractor and PILEJOGGER. This will minimize buildup of alkaline residue in the system.
3. Remove carpet lint from brush fibers and underside of brush housing. Flush out with water.
4. Check for carpet lint buildup in vac shoe. Clean out and flush with water.
5. If spray jets become clogged, remove from manifold, wash and blow-dry to remove obstruction. Do not use pins, wires, etc. to clean jets as this could destroy spray pattern.
6. Apply silicone lubricant to quick-disconnect fittings.

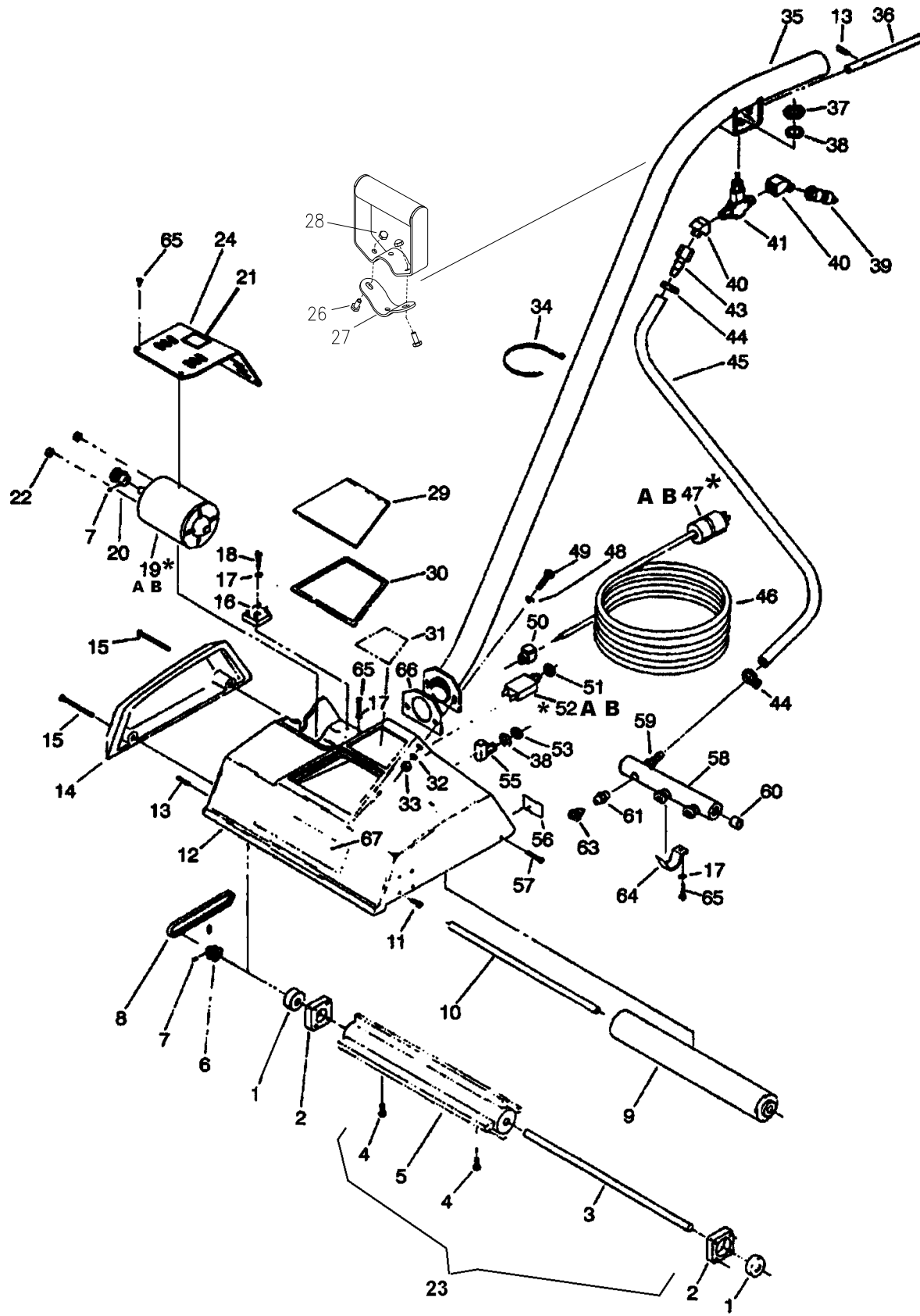
TROUBLESHOOTING

PROBLEM.	CAUSE	SOLUTION
No power to brush	Dead electrical circuit	Check building circuit breaker or fuse box
	Faulty switch	Replace
	Faulty electrical cable	Replace
Brush motor speed varies or doesn't run	Faulty motor	Replace
	Faulty switch	Replace
Loss of vacuum	Loose cuff on vac hose	Tighten cuffs (turn counterclockwise)
	Vac chamber plugged	Wash out with hose. Pick lint out with wire.
	Broken vac hose	Replace
Solution hose quick disconnects hard to insert	Corrosion on fittings	Clean fitting by soaking in vinegar solution, lubricate lightly with silicon lube
Solution won't shut off	Faulty solution valve	Repair or replace
Clogged spray jets	Corrosion	Clean with steel wool and vinegar solution; wipe dry after each use.
Carpet not clean	Severe soil conditions	Make more than one pass at right angle to first pass. Prespray.
Carpet too wet	Loss of vacuum	Check vac system for leaks

WIRING DIAGRAM



PILEJOGGER ASSEMBLY



PILEJOGGER ASSEMBLY

REF	PART NO.	PRV NO.	QTY	DESCRIPTION	SERIAL NO. FROM	NOTES:
1	86000890	09013	2	BEARING, PJ2A SHAMBAN		
2	86229780	14130	2	BLOCK, PJ BEARING MTG		
3	86263880	03018	1	AXLE, PJ BRUSH		
4	86273930	70051	2	SCR, 8-32 X 1/2 PPHMS NP		
5	86230780	14048	1	BRUSH, PJ		
6	86250410	64001	1	PULLEY, PJ2 W/ .314 BORE		
7	86006570	70084	3	SET SCR, 8-32 X 3/16 KCP DL		
8	86001050	11005	1	BELT, BRUSH DRIVE		
9	86252350	67034	1	ROLLER, PJ2A		
10	86263870	03014	1	AXLE, .375 X 13.31 PJ2A ROLLER		
11	86274080	70091	8	SCR, 10-24 X 1/2 PPHMS SS		
12	86240860	41006	1	HOUSING, PJ2A BLU		
13	86272130	66019	3	PIN, ROLL 5/64" X 3/8"L		
14	86234700	27035BLU	1	COVER, BLU PJ BELT		
15	86274200	70122	2	SCR, 10-32 X 1.50 FHMS PLTD		
16	86006350	67029	1	RECTIFIER, BRIDGE		
17	86278930	87007	6	WASHER, #8 LOCK EXT. STAR PLTD		
18	86006490	70013	1	SCR, 8-32 X 3/4 PPHMS SS		
19	86247110	53146	1	MOTOR, 115V BRUSH DRIVE		
20	86005960	64036	1	PULLEY, 3/8 MOTOR		
21	86245650	50776	1	LABEL, FOR SAFETY		
22	86005700	57104	2	NUT, 10-32 W/ STAR WASHER PLTD		
23	86027640	14041	REF	BRUSH ASM, PJ2A		
24	86075420	27034BLU	1	COVER, BLU PJ MOTOR		
25	-	OPEN	-	-		
26	86273750	70011	2	SCR, 1/4-20 X 5/8 HHCS SS NP		
27	86233180	20061	1	CLAMP, HANDLE GRIP SS		
28	86271620	57229	2	NUT, 1/4-20 ACORN SS		
29	86064900	89002	1	WINDOW, PJ2A		
30	86237040	35008	1	GASKET, PJ2A WINDOW		
31	86136110	50017	1	LABEL, PJ2A ACTION EXT		
32	86010660	87025	2	WASHER, 1/4 LOCK EXT STAR SS		
33	86005680	57047	2	NUT, 1/4-20 HEX NYLOCK		
34	86264940	27051	3	CABLE TIE, 11.38" UL/CSA		
35	86092620	38023	1	HANDLE ASM, PJ2		
36	86076260	38015	1	HANDLE, VALVE PLTD		
37	86270810	57015	1	NUT, 1/2-24 HEX PLTD		
38	86279000	87021	1	WASHER, 1/2 INT. STAR		
39	86005580	56012	1	NIPPLE, 1/4 FPT QD		
40	86197390	31021	2	ELBOW, 1/4 NPT 45° STREET		
41	86258690	84009	1	VALVE, 1/4M X 1/4M INLINE		
42	86135990	47024	REF	KIT, VALVE REPAIR		NOT SHOWN
43	86197530	40012	1	HOSEBARB, 1/4FPT X 1/4		
44	86233090	20016	2	CLAMP, 1/4ID HOSE		
45	86280880	39168	1	HOSE, 1/4 X 43" (250PSI)		
46	86260850	23047	1	CORD ASM, 18/3 X 40 SJT, YL PJ2A V7		
47	86234400	26006	REF	CORD END, 125V 15A M NEMA5-15P		
48	86010630	87013	4	WASHER, 1/4ID X 5/8OD SS		
49	86273820	70019	2	SCR, 1/4-20 X 1.25 HHCS SS		
50	86256030	73015	1	STRAIN RELIEF, 18/3-16/3		
51	86270840	57024	1	NUT, 3/8-27 PANEL PLTD		
52	86230090	14192	1	BREAKER, 1.2A CIRCUIT		
53	86270820	57017	1	NUT, 15/32-32 HEX PANEL ZINC PLTD		
54	86027850	38048	REF	HANDLE ASM, PJ2A W/ VALVE		NOT SHOWN
55	86256580	72001	1	SWITCH, 125V-8A/250V-4A PUSH		
56	86245000	50237	1	LABEL, BFT WARNING & CAUTION		
57	86006540	70068	2	SCR, 10-32 X 3/4 PPHMS SS		
58	86077680	54121	1	MANIFOLD, PJ2A		
59	86197520	40011	1	HOSEBARB, 1/8MPT X 1/4 DL		
60	86006180	66095	1	PLUG, 1/8 MPT HEX BRASS		
61	86004530	44052	3	JET BODY, MINI-QUICK W/ SEAL		
62	86135890	44051	REF	JET SEAL, MINI-QUICK		NOT SHOWN
63	86004550	44061	3	JET, 11003-QUICK CHANGE		
64	86090440	27882	2	CLAMP, 1/2"OD HALF CLIP		
65	86006520	70052	7	SCR, 8-32 X 3/8 PPHMS SS		
66	86237080	35028	1	GASKET, PJ HANDLE		
67	86242780	50020	1	LABEL, PJ2A		
68	86135760	38109	REF	HANDLE GRIP ASM		
69	86025360	47058	REF	KIT, HIGH PRESSURE SPRAY TIP		OPTIONAL

230V SERVICE PARTS

PART NO.	PRV NO.	DESCRIPTION	NOTES:
86247120	53147	MOTOR ASM, 230V DC PM	SERVICE ONLY
86261060	23718	CORD ASM, 1.0MM 3 X 40 HODVVF	SERVICE ONLY
86001780	14308	CIRCUIT BREAKER, .8A (230V)	SERVICE ONLY

Free Manuals Download Website

<http://myh66.com>

<http://usermanuals.us>

<http://www.somanuals.com>

<http://www.4manuals.cc>

<http://www.manual-lib.com>

<http://www.404manual.com>

<http://www.luxmanual.com>

<http://aubethermostatmanual.com>

Golf course search by state

<http://golfingnear.com>

Email search by domain

<http://emailbydomain.com>

Auto manuals search

<http://auto.somanuals.com>

TV manuals search

<http://tv.somanuals.com>