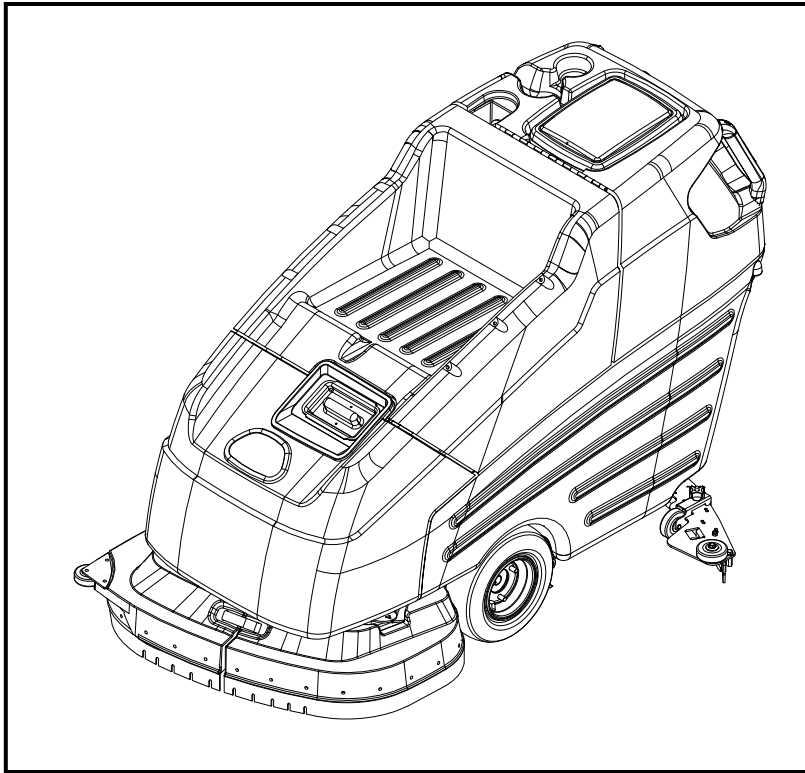


SABER™ **CUTTER**



WALK BEHIND SCRUBBER



Operating Instructions (ENG)

**MODELS: SCE326
10052280**

QUEST® ... for Continuous Improvement.
Windsor's Quality Management System is Certified ISO 9001.



Read these instructions before using the machine



86037030 02/20/09

PRV NO. 980065

MACHINE DATA LOG/OVERVIEW

MODEL _____

DATE OF PURCHASE _____

SERIAL NUMBER _____

SALES REPRESENTATIVE # _____

Copyright 2002 Windsor Industries, Printed in USA

YOUR DEALER

Name: _____

Address: _____

Phone Number: _____

OVERVIEW

The Saber Cutter is a battery powered, self-propelled, hard floor scrubber intended for commercial use. The appliance applies a cleaning solution onto a hard floor, scrubs the floor with brushes or pads, and then vacuums the soiled water back into the recovery tank.

TABLE OF CONTENTS

| | |
|--------------------------------|---|
| Machine Data Log/Overview..... | 2 |
| Table of Contents..... | 3 |

HOW TO USE THIS MANUAL

| | |
|-----------------------------|-----|
| How to use this Manual..... | 1-1 |
|-----------------------------|-----|

SAFETY

| | |
|-------------------------------------|-----|
| Important Safety Instructions | 2-1 |
| Hazard Intensity Level..... | 2-2 |
| Safety Label Location..... | 2-3 |

OPERATIONS

| | |
|---------------------------------|------|
| Technical Specifications..... | 3-1 |
| How the Machine Works..... | 3-3 |
| Components..... | 3-4 |
| Controls..... | 3-5 |
| Machine Operation..... | 3-9 |
| Pre-Run Machine Inspection..... | 3-9 |
| Starting Machine..... | 3-9 |
| Emergency Stop Procedures..... | 3-9 |
| Filling the Solution Tank..... | 3-9 |
| Scrubbing..... | 3-9 |
| Emptying & Cleaning Tanks..... | 3-11 |

MAINTENANCE

| | |
|---|------|
| Service Schedule | 4-1 |
| Batteries..... | 4-3 |
| Battery Maintenance..... | 4-3 |
| Checking Battery Specific Gravity..... | 4-4 |
| Charging the Batteries..... | 4-4 |
| Changing Batteries..... | 4-5 |
| Battery Connections..... | 4-5 |
| Squeegee Blades..... | 4-6 |
| Adjusting Squeegee..... | 4-6 |
| Replace or Rotate Rear Squeegee Blade..... | 4-6 |
| Replace or Rotate Front Squeegee Blade..... | 4-6 |
| Adjusting Squeegee Pitch..... | 4-7 |
| Adjusting Rear Deflection..... | 4-7 |
| Replacing Aqua-Mizer Squeegee Blades..... | 4-7 |
| Scrub Brushes..... | 4-8 |
| Types..... | 4-8 |
| Replacing or Installing Scrub Brushes..... | 4-8 |
| Float Shut-Off..... | 4-8 |
| Solution Strainer..... | 4-9 |
| Brush Motor Replacement | 4-9 |
| Greasing Axle..... | 4-9 |
| Traction Motor Brush Replacement | 4-10 |
| Circuit Breaker | 4-10 |
| Brush Shrouds & Brush Skirts..... | 4-10 |
| Vacuum Motor..... | 4-11 |
| Machine Troubleshooting..... | 4-12 |

GROUP PARTS LIST

| | |
|-------------------------------------|------|
| Control Handle | 5-1 |
| Cover (Front) & Tank Mount | 5-3 |
| Cover (Top) & Tank Mount..... | 5-5 |
| Decal | 5-7 |
| Electrical Panel..... | 5-9 |
| Lift Handle | 5-11 |
| Lift Handle Linkage..... | 5-13 |
| Recovery Tank | 5-15 |
| Scrub Brush/Pad Driver 32 in..... | 5-17 |
| Scrub Deck Aqua-Mizer | 5-19 |
| Scrub Deck Motors..... | 5-21 |
| Scrub Deck Skirt..... | 5-23 |
| Scrub Deck Lift Linkage | 5-25 |
| Solution..... | 5-29 |
| Squeegee | 5-33 |
| Squeegee Lift Linkage (Lower) | 5-35 |
| Vacuum | 5-37 |
| Wheels & Frame..... | 5-39 |
| Wiring-Battery..... | 5-41 |
| Wiring-Control Panel | 5-43 |
| Wiring-Main Harness..... | 5-45 |
| Wiring-Schematic | 5-47 |
| Brake | 5-49 |
| Emergency Stop..... | 5-51 |
| Accessory Pump-Option..... | 5-53 |
| Suggested Spare Parts | 5-55 |
| Notes | 5-56 |
| EC Declaration of Conformity..... | 5-57 |

HOW TO USE THIS MANUAL

This manual contains the following sections:

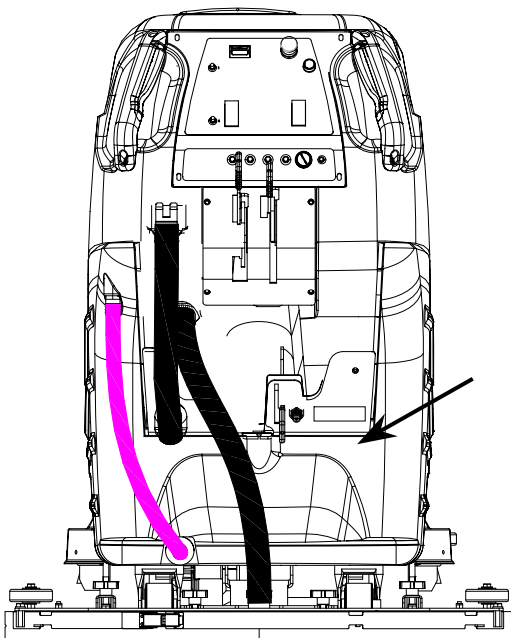
- HOW TO USE THIS MANUAL
- SAFETY
- OPERATIONS
- MAINTENANCE
- PARTS LIST

The HOW TO USE THIS MANUAL section will tell you how to find important information for ordering correct repair parts.

Parts may be ordered from authorized Windsor dealers. When placing an order for parts, the machine model and machine serial number are important. Refer to the MACHINE DATA box which is filled out during the installation of your machine. The MACHINE DATA box is located on the inside of the front cover of this manual.

| |
|--|
| MODEL _____ |
| DATE OF PURCHASE _____ |
| SERIAL NUMBER _____ |
| SALES REPRESENTATIVE # _____ |
| <small>Copyright 2002 Windsor Industries, Printed in USA</small> |

The model and serial number of your machine is on the back panel of the machine.



The SAFETY section contains important information regarding hazard or unsafe practices of the machine. Levels of hazards are identified that could result in product or personal injury, or severe injury resulting in death.

The OPERATIONS section is to familiarize the operator with the operation and function of the machine.

The MAINTENANCE section contains preventive maintenance to keep the machine and its components in good working condition. They are listed in this general order:

- Batteries
- Scrub Brushes
- Adjusting Squeegee
- Scrub Deck Skirts
- Squeegee Blade
- Service Schedule

The PARTS LIST section contains assembled parts illustrations and corresponding parts list. The parts lists include a number of columns of information:

- **REF** – column refers to the reference number on the parts illustration.
- **PART NO.** – column lists the part number for the part.
- **PRV NO.** – reference number
- **QTY** – column lists the quantity of the part used in that area of the machine.
- **DESCRIPTION** – column is a brief description of the part.
- **SERIAL NO. FROM** – column indicates the first machine the part number is applicable to. When the machine design has changed, this column will indicate serial number of applicable machine. The main illustration shows the most current design of the machine. The boxed illustrations show older designs. If column has an asterisk (*), call manufacturer for a serial number.
- **NOTES** – column for information not noted by the other columns.

NOTE: If a service or option kit is installed on your machine, be sure to keep the KIT INSTRUCTIONS which came with the kit. It contains replacement parts numbers needed for ordering future parts.

NOTE: The number on the lower left corner of the front cover is the part number for this manual.

IMPORTANT SAFETY INSTRUCTIONS

When using an battery powered appliance, basic precaution must always be followed, including the following:

READ ALL INSTRUCTIONS BEFORE USING THIS MACHINE.



WARNING:

To reduce the risk of fire, electric shock, or injury:

Use only indoors. Do not use outdoors or expose to rain.

Use only as described in this manual. Use only manufacturer's recommended components and attachments.

If the machine is **not working properly**, has been dropped, damaged, left outdoors, or dropped into water, return it to an authorized service center.

Do not operate the machine with any openings blocked. Keep openings free of debris that may reduce airflow.

This machine **is not** suitable for picking up hazardous dust.

Machine can cause a fire when operating near flammable vapors or materials. Do not operate this machine near flammable fluids, dust or vapors.

This machine is suitable for commercial use, for example in hotels, schools, hospitals, factories, shops and offices for more than normal housekeeping purposes.

Maintenance and repairs **must be done** by qualified personnel.

If foam or liquid comes out of machine, **switch off immediately**.

Disconnect battery before cleaning or servicing.

Before the machine is discarded, the batteries **must be removed** and properly disposed of.

Make sure all warning and caution labels **are legible and properly attached** to the machine.

During operation, attention shall be paid to other persons, especially children.

Before use all covers and doors shall be put in the positions specified in the instructions.

When leaving unattended, secure against unintentional movement.

The machine shall only be operated by instructed and authorized persons.

When leaving unattended, switch off or lock the main power switch to prevent unauthorized use.

Only chemicals recommended by the manufacturer shall be used.

This appliance has been designed for use with the brushes specified by the manufacturer. The fitting of other brushes may affect its safety.

Do not use on surfaces having a gradient exceeding 2% unless the optional parking brake is installed on the machine.

SAVE THESE INSTRUCTIONS

HAZARD INTENSITY LEVEL

The following symbols are used throughout this guide as indicated in their descriptions:

HAZARD INTENSITY LEVEL

There are three levels of hazard intensity identified by signal words -**WARNING** and **CAUTION** and **FOR SAFETY**. The level of hazard intensity is determined by the following definitions:

WARNING

WARNING - Hazards or unsafe practices which COULD result in severe personal injury or death.

CAUTION

CAUTION - Hazards or unsafe practices which could result in minor personal injury or product or property damage.

FOR SAFETY: To Identify actions which must be followed for safe operation of equipment.

Report machine damage or faulty operation immediately. Do not use the machine if it is not in proper operating condition. Following is information that signals some potentially dangerous conditions to the operator or the equipment. Read this information carefully. Know when these conditions can exist. Locate all safety devices on the machine. Please take the necessary steps to train the machine operating personnel.

FOR SAFETY:

DO NOT OPERATE MACHINE:

Unless Trained and Authorized.

Unless Operation Guide is Read and understood.

In Flammable or Explosive areas.

In areas with possible falling objects.

WHEN SERVICING MACHINE:

Avoid moving parts. Do not wear loose clothing; jackets, shirts, or sleeves when working on the machine. Use Windsor approved replacement parts.

WARNING

Batteries emit hydrogen gas. Explosion or fire can result. Keep sparks and open flame away. Keep top cover in raised position when charging. Keep sparks and flames away from the batteries. Do not smoke around batteries.

WARNING

Disconnect batteries before working on machine. Only qualified personnel should work inside machine.

Always wear eye protection and protective clothing when working on or near batteries. Avoid skin contact with the acid contained in the batteries.

WARNING

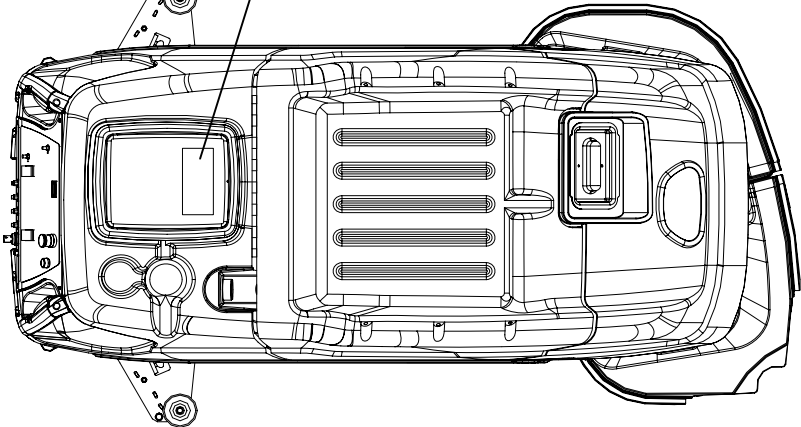
Never allow metal to lie across battery tops.

SAFETY LABEL LOCATION

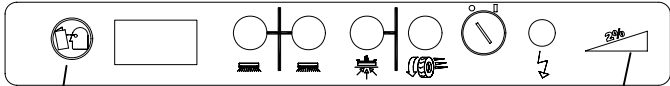
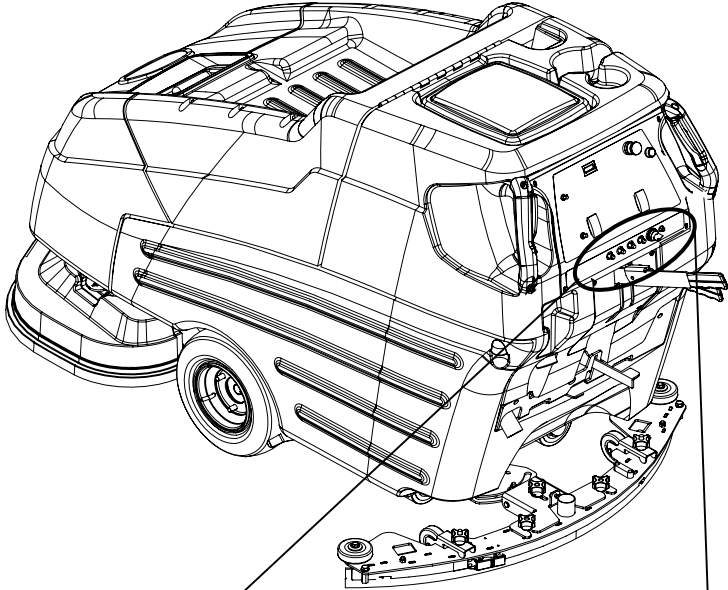
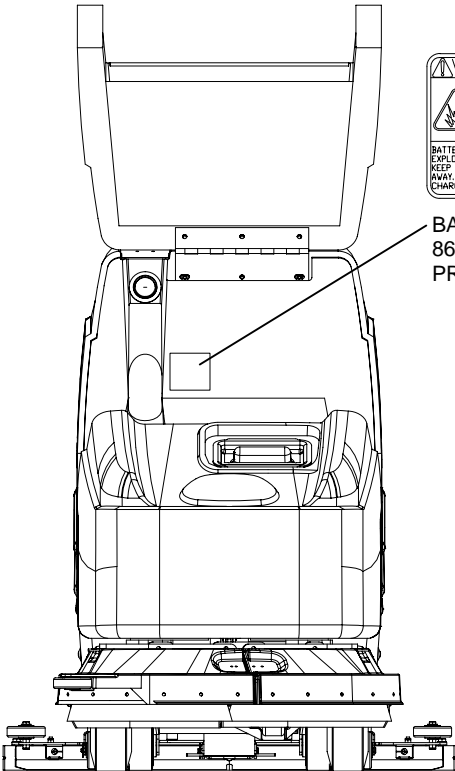
NOTE: These drawings indicate the location of safety labels on the machine. If at any time the labels become illegible, promptly replace them.



SAFETY DECAL
86252530
PRV NO. 81494



BATTERY CAUTION
86252520
PRV NO. 80885



SEE MANUAL

CIRCUIT BREAKER DECAL
PN 86243610
PRV NO. 500579

2% GRADE WARNING

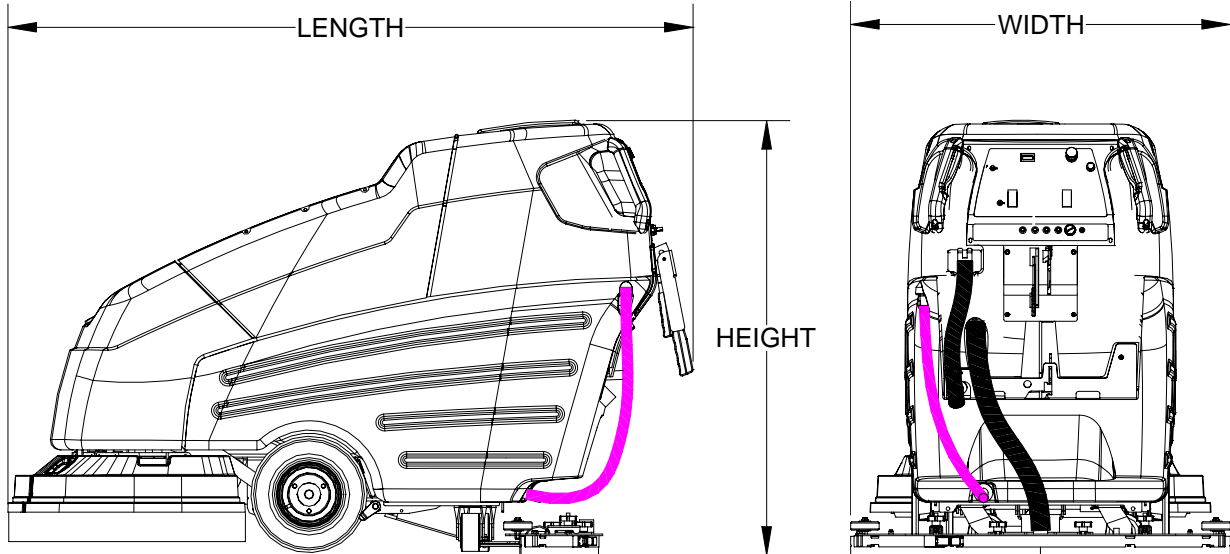
TECHNICAL SPECIFICATIONS

| ITEM | DIMENSION/CAPACITY |
|---|---|
| Nominal power | 2160 W |
| Rated Voltage | 36 Volt DC |
| Rated Amperage | 60 amps |
| Batteries | 6 x 6 volt 250-305-335 AH @ 20 Hr rate |
| Scrub Brush Motors | 2 x .75 hp (.56 kW) |
| Vacuum Motor | 3 Stage .75 hp (.56 kW) |
| Propelling Motor | .75 hp (.56 kW) |
| Mass (GVW) | 1265 lb (574 kg) w/335 AH batteries |
| Weight empty without batteries | 433 lb (196 kg) |
| Solution Control | Gravity feed, fully variable with automatic shut-off in neutral |
| Solution tank capacity | 32 gal (118 L) |
| Recovery tank capacity | 35 gal (123 L) |
| Scrub brush diameter 32 in. (81 cm) scrub head | 16 in (41 cm) |
| Scrub brush pressure | Mechanical, 80 lbs floating 130 lbs restricted (356n-578n) |
| Scrub brush speed | 200 rpm |
| Tires | 2 x 12 in (30.5 cm) Non-Mark Foam Fill |
| Casters | 2 x 4 in (10.2 cm) polyurethane, Non-Mark |
| Foundation Pressure | 64 lbs/in ² (441 kPa) |
| Maximum Speed | 3.2 miles/hour (5.2 kW/hour) |
| Coverage with 32 in. (81 cm) scrub head | 36,250 ft ² /hr @ 3.0 mph with 2 in overlap * |
| Frame Construction | Powder coated steel |
| Brakes (optional) | Tire lock parking |
| Minimum aisle u-turn width with 32 in. (81 cm) scrub head | 69 inches (175 cm) |
| Maximum rated climb and descent angle with empty tanks and without optional parking brake | 2% |
| Maximum rated climb and descent angle with full tanks and without optional parking brake | 2% |

* Cleaning rate results will vary depending on floor type, building structure, etc.

TECHNICAL SPECIFICATIONS

| ITEM | MEASURE |
|---|----------------|
| Height | 46 in (117 cm) |
| Length with 32 in. (81 cm) scrub head | 71 in (180) |
| Width without squeegee and scrub head | 28 in (71 cm) |
| Width of squeegee for 32 in. (81 cm) scrub head | 39 in (99 cm) |
| Width of scrub path for 32 in. (81 cm) scrub head | 32 in (81 cm) |



SPECIAL NOTES:

The sound pressure level at the operator's ear was measured to be 75 dBA. This was a nearfield, broad-band measurement taken in a typical industrial environment on a tile floor. This appliance contains no possible source of impact noise. The instantaneous sound pressure level is below 63 Pa.

The weighted root mean square acceleration at the operator's arms was measured to be below 2.5m/s^2 . This was a tri-axial, third-octave-band measurement made during normal operation on a composite tile floor. The measurement and related calculations were made in accordance with ANSI S3.34-1986.

HOW THE MACHINE WORKS

The Saber Cutter is a battery powered, self-propelled, hard floor scrubber intended for commercial use. The appliance applies a cleaning solution onto a hard floor, scrubs the floor with brushes, and then vacuums the soiled water back into the recovery tank.

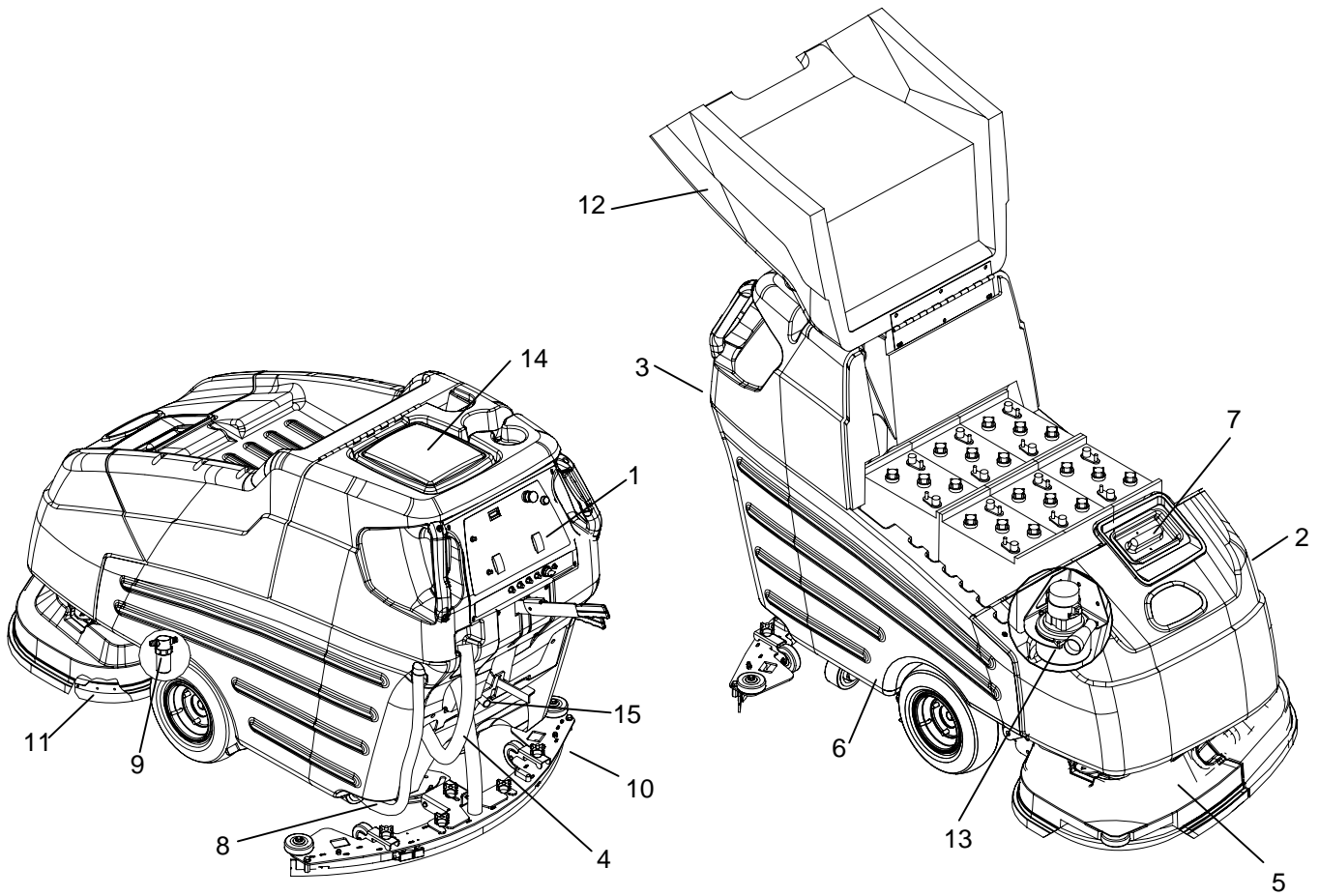
The machine's primary systems are the solution system, scrub system, recovery system, and directional control system.

The function of the solution system is to store cleaning solution and deliver it to the scrub system. The solution system consists of the solution tank, strainer, valve and controls. The solution tank stores cleaning solution (water and detergent) until it is delivered to the scrub system. The strainer protects the valve from debris. The valve is a solenoid type valve, which controls the delivery of cleaning solution to the scrub system. The valve automatically prevents solution flow unless the scrub brushes are turned on and the machine is being propelled. The solution control knob controls the amount of cleaning solution delivered to the scrub system by controlling the amount of time the valve is open.

The function of the scrub system is to scrub the floor. The scrub system consists of two rotary type disk scrub brushes, motors, scrub deck skirt, lift mechanism and controls. The brushes scrub the floor and the motors drive the brushes. The brush drive hubs allow the scrub brushes to follow irregularities and changes in the floor without losing contact with floor. The scrub deck skirt controls the cleaning solution on the floor so that the squeegee can pick it up. The brush lever is used to raise and lower the deck.

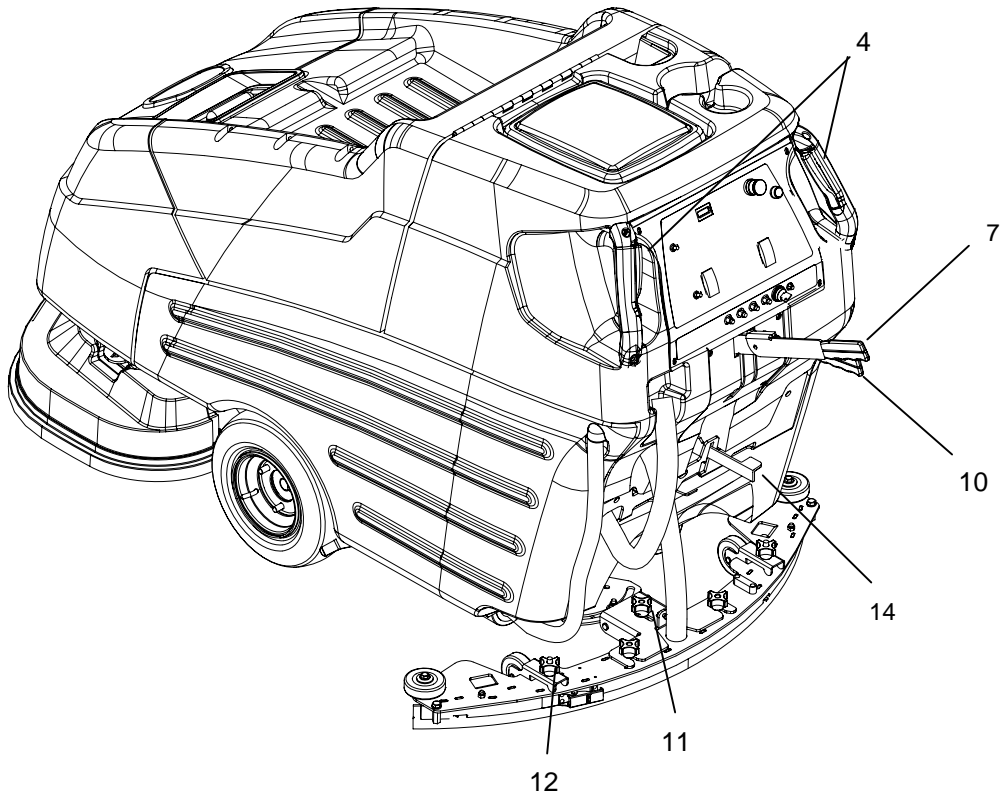
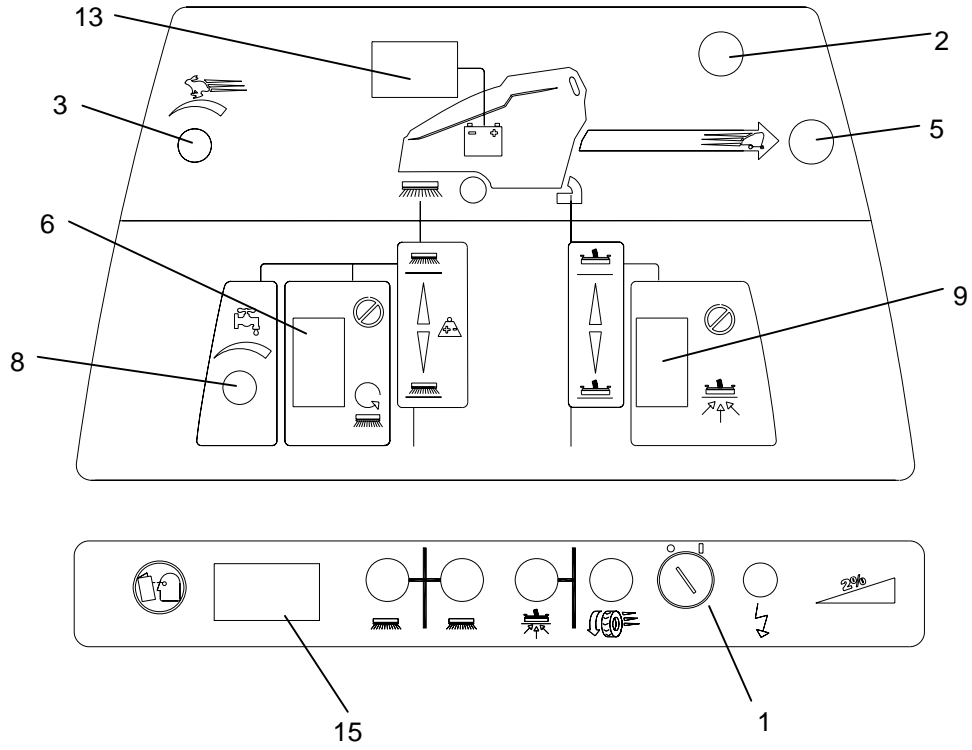
The function of the recovery system is to vacuum the soiled water back into the recovery tank. The recovery system consists of the squeegee, vacuum motor, float ball filter, recovery tank and controls. The squeegee wipes the dirty solution off the floor as the machine moves forward. The vacuum motor provides suction to draw the dirty solution off the floor and into the recovery tank. The recovery tank stores the dirty solution. The float ball filter protects the vacuum fan from debris and shuts off air going to the recovery tank when tank is full. When flow of air is shut off the vacuum motor will continue to run. At this time the recovery tank must be drained.

The function of the directional control system is to control the direction and speed of the machine. The directional control system consists of the propel control buttons, reverse button, speed control knob/potentiometer, controller and transaxle. The propel controls actuate switches which cause the machine to move forward. For reverse motion depress the reverse button while depressing one of the propel controls. The speed control knob actuates a potentiometer, which signals speed. The controller interprets the forward/reverse signals from the switches and the speed signal from the potentiometer to command the transaxle to propel the machine in the direction, and at the speed, desired.



1. **Control Panel**
2. **Front Cover**
3. **Recovery Tank**
4. **Recovery Tank Drain Hose**
5. **Scrub Head Shrouds**
6. **Solution Tank**
7. **Solution Tank Cover**
8. **Solution Tank Drain Hose**
9. **Solution Strainer**
10. **Squeegee**
11. **Aqua-Mizer**
12. **Top Cover**
13. **Vacuum Motor**
14. **Recovery Tank Dome**
15. **Accessory Pump Port (Optional)**

CONTROLS



1. **Key Switch**
 2. **Emergency Shut-Off Switch**
 3. **Speed Control Knob**
 4. **Propel Control Lever**
 5. **Reverse Button**
 6. **Brush Switch**
 7. **Brush Lift Lever**
 8. **Solution Control Knobs**
 9. **Vacuum Switch**
 10. **Squeegee Lift Lever**
 11. **Squeegee Pitch Adjustment Knob**
 12. **Squeegee Deflection Adjustment Knobs**
 13. **Battery Charge Level Indicator**
 14. **Parking Brake**
 15. **Hour Meter**
-

1. KEY SWITCH

Controls the power for machine functions.

To turn machine on, rotate key clockwise.

To turn machine off, rotate key counterclockwise.

FOR SAFETY: Always remove the key when machine is unattended or during service to prevent unauthorized movement.

2. EMERGENCY SHUT-OFF SWITCH

Shuts off machine.

To shut off machine, push the switch.

To restart machine, rotate the switch clockwise.

3. SPEED CONTROL KNOB

Controls the speed of the machine.

To increase speed, rotate knob clockwise.

To decrease speed, rotate knob counterclockwise.

4. PROPEL CONTROL LEVERS

Controls the machine direction, and scrub brushes and solution flow.

To propel machine forward, squeeze either propel lever.

The scrub brushes will not rotate and the solution will not flow to scrub deck with the propel levers in neutral.

5. REVERSE BUTTON

Controls the reverse function.

To propel machine backward, push the reverse button while squeezing either propel lever.

6. BRUSH SWITCH

Controls the scrub brush motors.

To turn scrub brushes on, press the bottom of the switch. The brushes will not rotate with the propel control levers in neutral.

To turn scrub brushes off, press the top of the switch.

CONTROLS

7. BRUSH PRESSURE LEVER

Adjusts the amount of brush pressure to the floor by raising or lowering the scrub deck.
To apply brush pressure, lower brush pressure lever to floating position.

To apply additional pressure, place lever in restricted position. Lock the lever into the lower notch. Push the lever forward to move in a downward motion. Pull back on lever and release for floating position.

To decrease brush pressure, raise lever to up position.

8. SOLUTION CONTROL KNOB

Controls solution flow to scrub deck.

To increase flow, rotate knob clockwise.

To decrease flow, rotate knob counterclockwise.

If the brush motors are turned off or the propel control levers are in neutral, the flow is automatically interrupted until the motors are turned on again. This feature prevents unintentional draining of the solution tank and allows the operator to adjust the solution flow to the scrub deck without resetting each time the scrubbing operation is interrupted.

9. VACUUM SWITCH

Controls the vacuum motor.

To start vacuum motor, press the bottom of the switch.

To stop vacuum motor, press the top of the switch.

10. SQUEEGEE LIFT LEVER

Raises and lowers the squeegee.

To lower the squeegee, lift the lever from its raised position.

To raise the squeegee, lift the lever from its lowered position.

11. SQUEEGEE PITCH ADJUSTMENT KNOB

Adjusts the deflection at the ends of the squeegee.

To increase squeegee blade deflection at the ends, turn knob counterclockwise.

To decrease squeegee blade deflection at the ends, turn knob clockwise.

12. SQUEEGEE DEFLECTION ADJUSTMENT KNOBS

Adjusts the deflection along the entire length of the squeegee.

To increase squeegee blade deflection along the entire length, turn the two knobs at the squeegee ends counter-clockwise.

To decrease squeegee blade deflection along the entire length, turn the two knobs at the squeegee ends clockwise.

13. BATTERY CHARGE LEVEL INDICATOR

Indicates the charge level of the batteries.

The meter display is divided into 10 vertical bars. Bar illuminated on the far right indicates full charge. Bars flashing near the left side indicate the batteries should be recharged. Further operation of the machine could damage the machine or the batteries.

When the machine is left overnight with less than a full charge, the display may initially indicate a full charge. It will also indicate a full charge if the batteries are disconnected, then reconnected. After a few minutes of operation the meter will give the correct charge level.

14. PARKING BRAKE

Locks front wheels to prevent unintentional movement.

To set parking brake, push down to lock notch.

To release parking brake, push down and over out of the lock down notch.

15. HOUR METER

Records the number of hours the machine has been in operation. This information is useful in determining when to service the machine.

MACHINE OPERATION

PRE-RUN MACHINE INSPECTION

Do a pre-run inspection to find possible problems that could cause poor performance or lost time from breakdown. Follow the same procedure each time to avoid missing steps.

NOTE: See maintenance section for pre-run machine inspection checklist items.

STARTING MACHINE

NOTE: Perform pre-run machine check before operating machine.

FOR SAFETY: Before starting machine, make sure that all safety devices are in place and operating properly.

1. Turn the machine power on.
2. Release the parking brake, if your machine is equipped with this option.
3. Engage the direction propel levers for the desired direction.

EMERGENCY STOP PROCEDURES

1. Release the propel levers.
2. Turn machine power off with key switch.
3. If an electrical problem is suspected push in emergency stop button, if machine is equipped with this option.
4. Apply brakes, if your machine is equipped with this option.

FILLING SOLUTION TANK

FOR SAFETY: Before leaving or servicing machine; stop on level surface, turn off machine and remove key.

1. Turn the machine power off.
2. Set the parking brake if your machine is equipped with this option.
3. Remove solution tank cover.
4. Fill the solution tank with clean water, leaving enough room for the required amount of cleaning solution. The solution tank capacity filled to 2" (5 cm) from bottom of fill inlet is 23 gallons (87 liters). The water must not be hotter than 140° F (60°C) to prevent damage to the tank.
5. Measure the chemical into the solution tank. Liquid chemicals should be added to the solution tank after filling with water. Dry chemicals should be thoroughly mixed before being added into solution tank. Commercially available, high alkaline floor cleaners, are suitable for use in the solution system.
NOTE: Read the chemical manufacturers recommended proportion instructions.
6. Replace solution tank cover.



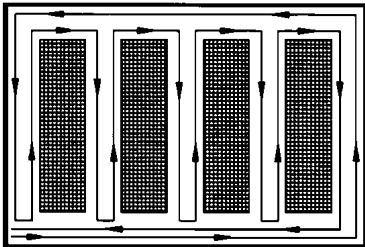
Flammable materials can cause an explosion or fire. Do not use flammable materials in the tanks.

NORMAL SCRUBBING

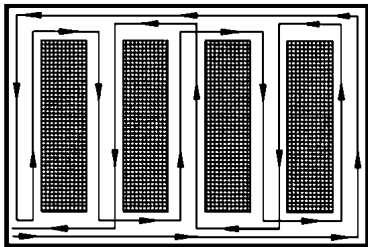
Plan the scrubbing pattern in advance. The longest track is around the perimeter of the area to be cleaned. For efficient operation, the runs should be the longest possible without turning, stopping, or raising and lowering scrub deck/squeegee.

NOTE: In order to achieve the best possible results, the area which is to be cleaned should be swept before scrubbing. Large debris, strings & wire must be removed to prevent being caught in brushes or squeegee.

INEFFICIENT SCRUBBING PATH



RECOMMENDED SCRUBbing PATH



TO BEGIN SCRUBBING

⚠ WARNING

When operating the machine around people, pay close attention for unexpected movement. Use extra caution around children.

⚠ CAUTION

Flammable liquids and/or reactive metals can cause explosions or fire! Do not pick up.

1. Turn the machine power on.
2. Lower the squeegee.
3. Turn the vacuum on.
4. Lower the scrub brushes to the floor.
5. Turn the scrub brushes on (brushes will start when machine is propelled).
6. Drive machine forward to begin scrubbing.
NOTE: Shut machine off immediately if water or foam is expelled from the machine.
7. Adjust the speed of the machine, solution flow and scrub brush pressure as necessary.
NOTE: Once solution flow rate is set it is not necessary to shut off solution when stopping scrubbing. Solution flow is automatically shut off when brush motors stop. When brush motors are activated, flow automatically resumes.

TO STOP SCRUBBING

1. Release the propel levers.
2. Turn the scrub brushes off.
3. Raise the scrub brushes.
4. Raise the squeegee.
5. Turn the vacuum off.
6. Turn the machine power off.

MACHINE OPERATION

DOUBLE SCRUB

For floors which are heavily soiled or have thick accumulations of floor finish may not clean sufficiently with one pass. In these cases it will be necessary to double scrub.

To double scrub, make the first pass over the surface being cleaned with the squeegee up, vacuum off, the solution on, Aqua-Mizer removed and brushes down. This allows the solution to stay in contact with the soil while loosening the surface accumulation with the brushes. Allow time for the first application to stay in contact with the floor. Length of time between the first and second pass depends on amount of accumulation and the type of chemical being used. A second scrubbing with the squeegee down and again the solution and brushes on will further loosen soil. The additional application of solution will further assist the difficult cleaning job.

FOR SAFETY: When using machine, go slow on inclines and slippery services.

EMPTYING AND CLEANING TANKS

1. Park the machine next to a floor drain. Drain hose is on left rear corner of the machine.
2. Turn the machine power off and set parking brake, if your machine is equipped with this option.

SOLUTION TANK

1. Loosen small drain hose from the retainer, then lower hose in direction of the drain.
2. Remove the solution tank cover.

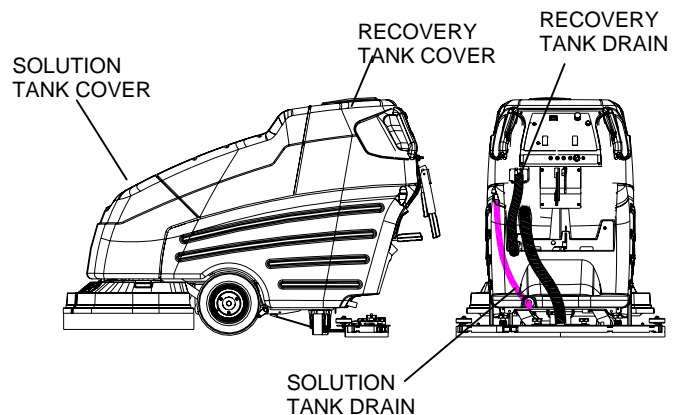
3. Flush the solution tank out with clean water and run several gallons of clean water through systems. Do not use water hotter than 140°F (60°C) to clean tank. Damage may occur.

NOTE: Never allow solution to remain in tank. Damage to tank, seals and valves could occur.

4. Secure drain hose into the retainer.

RECOVERY TANK

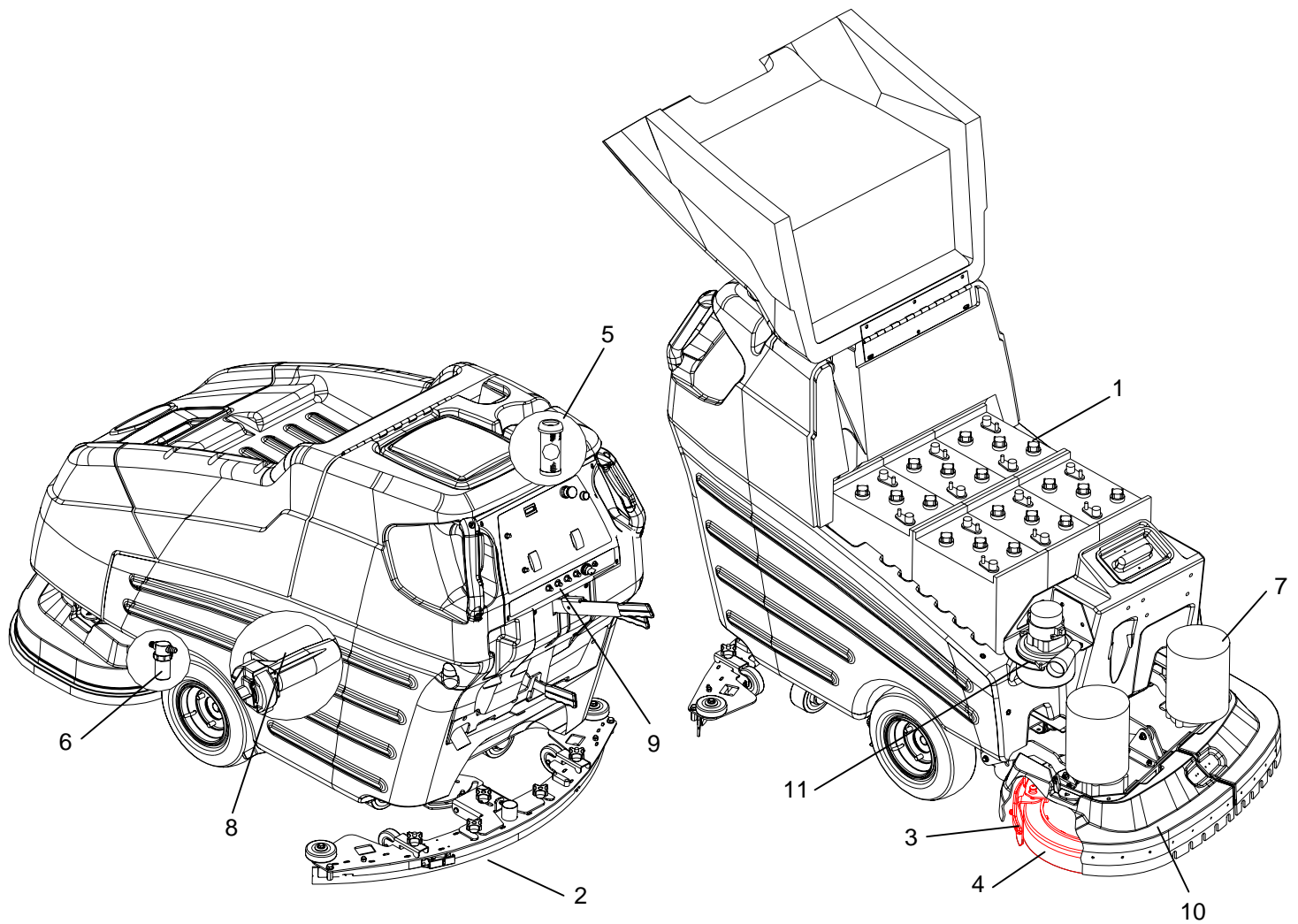
1. Unhook the large drain hose from the retainer. Unscrew the T-handle on plug enough to loosen plug, then lower hose in direction of the drain. Do not stand in front of end of hose. Recovered solution will come out with force. Slowly remove plug from drain hose.
2. Remove the recovery tank dome. Flush the recovery tank out with clean water. Do not use water hotter than 140°F (60°C) to clean tank. Damage may occur.
3. Clean off the float shut-off system and inspect for free movement of float. The float shut-off system is located in the rear of the recovery tank.
4. Replace the drain plug and secure drain hose in bracket.
5. If machine is to be stored, leave the recovery tank dome off.



SERVICE SCHEDULE

| MAINTENANCE | DAILY | WEEKLY | MONTHLY | 100 HRS | 200 HRS |
|--|-------|--------|---------|---------|---------|
| Check batteries after charging; add water if necessary | * | | | | |
| Check pad wear to prevent buildup of chemicals | * | | | | |
| Check linkages and connectors for wear and damage | * | | | | |
| Check hoses for wear, blockages, or damage | * | | | | |
| Clean squeegee; check for adjustment; inspect for wear | * | | | | |
| Check handles, switches, knobs, domes, and gaskets for damage | * | | | | |
| Clean out recovery tank | * | | | | |
| Clean out solution tank; remove and clean screen | * | | | | |
| Clean outside of all tanks; check for damage | * | | | | |
| Run vac motor for at least one minute to allow motor to dry | * | | | | |
| Store with dome off tank to allow the tank to dry | * | | | | |
| Check scrub deck skirt | | * | | | |
| Check batteries for corrosion, cracks and evidence of overheating | | | * | | |
| Check all bearings for noise | | | * | | |
| Check all gaskets for wear and leakage | | | * | | |
| Check vac motor carbon brushes | | | * | | |
| Check brushes for wear; ensure bristles are not damaged | | | * | | |
| Check linkages for wear and damage | | | * | | |
| Grease transaxle | | | * | | |
| Grease wheels and casters | | | * | | |
| Check squeegee blades for wear and frame for damage | | | * | | |
| Check overall performance of machine | | | * | | |
| Clean batteries and terminals | | | | * | |
| Check parking brake (inspect cables, linkages and pulleys) | | | | | * |
| Check carbon brushes in all vacuum, brush drive, and propel motors | | | | | * |
| Blow out dust in motors | | | | | * |
| Inspect motor commutators | | | | | * |
| Clean chains, cables and pulleys | | | | | * |
| Clean pivot points on squeegee and scrub deck linkages | | | | | * |

MAINTENANCE



1. **Batteries**
2. **Squeegee**
3. **Aqua Mizer**
4. **Scrub Brushes**
5. **Recovery Tank Float Shut-Off**
6. **Solution Strainer**
7. **Brush Motor**
8. **Traction Motor**
9. **Circuit Breakers**
10. **Brush Shroud & Brush Skirts**
11. **Vacuum Motor**

1. BATTERIES

The batteries provide the power to operate the machine. The batteries require regular maintenance to keep them operating at peak efficiency.

The machine batteries will hold their charge for long periods of time, but they can only be charged a certain number of times. To get the greatest life from the batteries, charge them when their charge level reaches 25% of a full charge. Use a hydrometer to check the charge level.

Do not allow the batteries to remain in a discharged condition for any length of time. Never expose a discharged battery to temperatures below freezing. Discharged batteries will freeze causing cracked cases. Do not operate the machine if the batteries are in poor condition or if they have a charge level below 25% (specific gravity below 1.155).

Keep all metallic objects off the top of the batteries, as they may cause a short circuit. Replace worn or damaged cables and terminals.

Check the electrolyte level in each battery cell before and after charging the batteries. Never add acid to the batteries, use distilled water. Do not allow water level to fall below the battery plates. Portions of plates exposed to air will be destroyed. Do not overfill. Keep plugs firmly in place at all times.

CAUTION

When servicing machine, avoid contact with battery acid.

WARNING

Batteries emit hydrogen gas. Explosion or fire can result. Keep sparks and open flame away. Keep covers open when charging.

WARNING

Wear eye protection and protective clothing when working with batteries.

WARNING

Charge batteries in a well ventilated area.

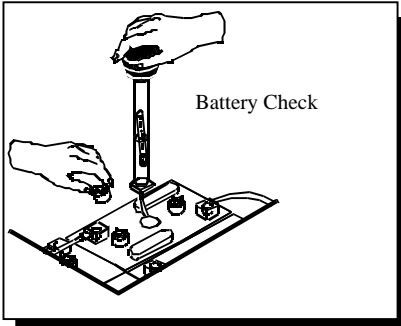
BATTERY MAINTENANCE

1. When cleaning the batteries, use a solution of baking soda and water. Do not allow the cleaning fluid to enter the battery cells, electrolyte will be neutralized.
2. Maintain the proper electrolyte level in each battery cell. If a cell should accidentally overflow, clean immediately.
3. Wipe off the top of the batteries at least once a week.
4. Test battery condition with a hydrometer at least once a week.
5. Ensure that all connections are tight and all corrosion removed.
6. Every 4 to 6 months, remove that batteries from the machine and clean the battery cases and battery compartment.

MAINTENANCE

CHECKING BATTERY SPECIFIC GRAVITY

Use a hydrometer to check the battery specific gravity.



A. Hydrometer

B. Battery

NOTE: Do not take readings immediately after adding distilled water, if the water and acid are not thoroughly mixed, the reading may not be accurate.

Check the hydrometer readings against this chart.

| SPECIFIC GRAVITY @ 80° F (27°C) | BATTERY CONDITION |
|------------------------------------|-------------------|
| 1.265 | 100% CHARGED |
| 1.225 | 75% CHARGED |
| 1.190 | 50% CHARGED |
| 1.155 | 25% CHARGED |
| 1.120 | DISCHARGED |

NOTE: If the readings are taken when the battery electrolyte is any temperature other than 80° F (27°C), the reading must be temperature corrected.

To find the corrected specific gravity reading when the temperature of the battery electrolyte is other than 80°F (27°): Add (+) to the specific gravity reading 0.004 (4 points), for each 10°F (6°C) above 80° (27°C).

Subtract (-) from the specific reading 0.004 (4 points), for each 10°F (6°C) below 80°F (27°C).

TO CHARGE THE BATTERIES

⚠ WARNING

When servicing machine, avoid contact with battery acid.

⚠ CAUTION

Batteries emit hydrogen gas. Explosion or fire can result. Keep sparks and open flame away. Keep covers open when charging.

⚠ WARNING

Wear eye protection and protective clothing when working with batteries.

⚠ WARNING

Charge batteries in a well ventilated area. Leave the battery cover open.

Use a 36 volt, 18 amp maximum output or 25 amp (depending on the size of the batteries), DC charger which will automatically shut off when the batteries are fully charged.

1. Stop the machine in a clean, well-ventilated area next to the charger.
2. Turn "OFF" machine.

FOR SAFETY: Before leaving or servicing machine; stop on level surface, turn off machine and remove key.

3. Raise the battery cover.

⚠ WARNING

Batteries emit hydrogen gas. Explosion or fire can result. Keep sparks and open flame away. Keep covers open when charging.

4. Check the electrolyte level in each battery cell. Before charging, add just enough distilled water to cover the plates. After charging is complete, add just enough distilled water to bring up the level to the indicator ring. If the water level is too high before charging, normal expansion rate of the electrolyte may cause an overflow. Resulting in a loss of battery acid balance and damage the machine.

5. Replace the battery caps, and leave them in place while charging.
6. Unplug the battery connector from the machine.

FOR SAFETY: When charging, connect the charger to the batteries before connecting the charger to the AC wall outlet. Never connect the charger to the AC wall outlet first. Hazardous sparks may result.

7. Plug the charger connector into the battery connector. Connect the charger AC plug to a wall outlet. The charger gauge should indicate that the batteries are charging.
8. When the batteries are fully charged, disconnect the charger from the AC wall outlet, then disconnect the charger from the batteries.
9. Connect the batteries to the machine connector.
10. Check the electrolyte level. It should be up to the indicator ring. If necessary, add distilled water.
11. Lower the battery cover.

CHANGING BATTERIES

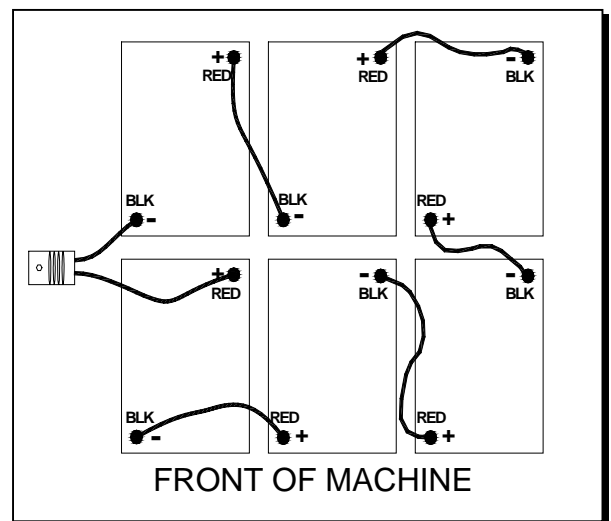
Stop the machine in a clean area next to the charger. Turn off machine.

FOR SAFETY: Before leaving or servicing the machine; stop on level surface, turn off machine and remove key.

1. Raise the battery cover.
2. Disconnect battery pack from machine.
3. Use the proper size open-end wrench to disconnect main ground wire first and secure cable terminal away from batteries.
4. Disconnect main positive lead and secure cable terminals away from batteries.
5. Loosen both terminals on each jumper cable and remove one at a time.
6. Prepare a suitable site to place the batteries.
7. Attach suitable battery lifting device and lift batteries from the machine.

! WARNING

Batteries are a potential environmental hazard. Consult your battery supplier for safe disposal methods.



MAINTENANCE

2. SQUEEGEE BLADES

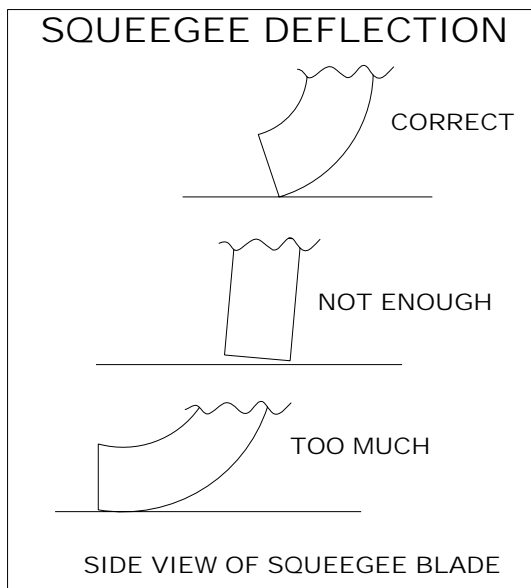
The front squeegee blade allows solution to pass through channels in the blade into the squeegee assembly while maintaining vacuum to provide lift. The front blade has four wear surfaces and can be rotated for extended life. The front blade should not require regular replacement under normal use.

The rear blade wipes the floor to a near dry condition. It is important the rear blade be in good condition to properly do its job. As with the front, each squeegee blade assembly has four wear surfaces for extended service.

Check both the front and rear squeegee blades for damage, wear, and adjustment each day in the pre-run check. Change the front blade if it is torn or has an uneven edge. Change the rear blade if it is less than 1/2 the original thickness.

ADJUSTING SQUEEGEE

Adjusting the squeegee is a two-part process. First, the squeegee assembly must have correct pitch in order for the squeegee blade to have the same deflection at each tip as well as the center. The knob on the squeegee linkage controls the pitch adjustment. The second adjustment is the deflection. Knobs on each end of the squeegee control this.



TO REMOVE SQUEEGEE ASSEMBLY

1. With the squeegee in the up position, turn key switch "OFF".
2. Disconnect vacuum hose from squeegee and loosen both knobs.
3. Pull squeegee assembly rearward from the lifting carrier.
4. Inspect or repair as necessary and reinstall.

TO REPLACE OR ROTATE REAR SQUEEGEE BLADES

1. With the squeegee in the up position, turn key switch "OFF".

FOR SAFETY: Before leaving or servicing machine; stop on level surface, turn off machine and remove key.

2. Remove the squeegee assembly from the machine. Unlatch and remove blade retainer strap and remove squeegee blade.
3. Rotate the squeegee to new edge position or replace as required. Each blade has four new edge positions.
4. Install blade on locating pins of squeegee assembly.
5. Install squeegee retainer strap.
6. Fasten and lock latch, adjust latch only tight enough to take up slack in retaining strap.

TO REPLACE OR ROTATE FRONT SQUEEGEE BLADE

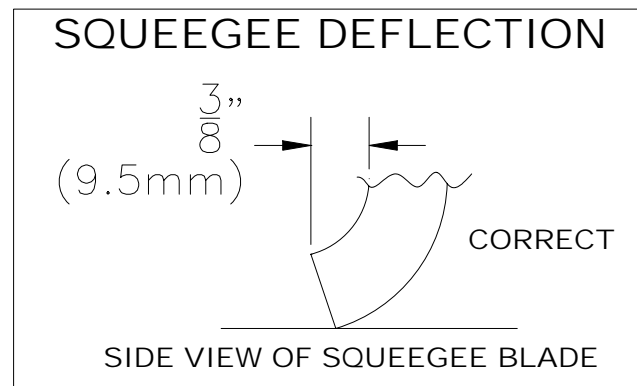
1. With the squeegee in the up position, turn key switch "OFF".
2. Remove the squeegee from the machine. Loosen three thumbscrews and remove the retainer strap and squeegee blade.
3. Rotate the squeegee to new edge position or replace as required. Each blade has four new edge positions. When installing the front blade, tighten the center thumbscrew first. Insure that the retainer strap is pressed against the blade before tightening the outer screws.

TO ADJUST SQUEEGEE PITCH

1. Choose a smooth, level surface. Turn "ON" the key switch. Lower the squeegee and drive forward at least 2 feet (60cm.).
2. With the squeegee down, stop the machine. Do not allow machine to roll back.

FOR SAFETY: Before leaving or servicing the machine; stop on level surface, turn off machine and remove key.

3. Determine the differences, if any, in deflection of the squeegee blade between each end and the middle. Proper adjustment is obtained when deflection is equal all the way across the squeegee blade. The bubble level should also indicate when the squeegee is adjusted properly. When the air bubble is in the center of the vial, the deflection should be even across the squeegee blade.
4. To decrease the deflection of the squeegee blade at the ends, tighten knob near the squeegee center. To increase the deflection at the ends of the squeegee assembly, loosen knob.
5. Check the deflection of the squeegee blades again. Repeat steps 1 through 4 until the deflection is equal across the entire rear squeegee blade.



TO ADJUST AMOUNT OF REAR SQUEEGEE DEFLECTION

1. Choose a smooth, level surface. Lower the squeegee and drive forward at least 2 feet (60cm).
2. With the squeegee down, stop the machine. Do not allow machine to roll back.

FOR SAFETY: Before leaving or servicing machine; stop on level surface, turn off machine and remove key.

3. Observe the amount of squeegee deflection. It should deflect 3/8 in. (9.5mm) across the entire width of the squeegee.
4. To increase the squeegee deflection, turn the 2 knobs at the squeegee ends counter-clockwise. To decrease the deflection, turn the knobs clockwise.

NOTE: The deflection should be consistent along the length of the squeegee. If the deflection varies from end to end the knobs can be adjusted independently to correct the variation.

5. Turn on the key switch. Raise, then lower squeegee assembly. Drive forward at least 2 feet (60cm).
6. Repeat steps 2 through 4 until deflection of 3/8 in. (9.5mm) is reached.

3. TO REPLACE AQUA-MIZER SQUEEGEE BLADES

These squeegee blades have two wear edges. To use the second edge:

1. Remove deck shrouds.
2. Remove brushes or pad drivers.
3. Remove each of the Aqua-Mizer squeegee systems.
4. Remove the hardware from each system that retains the blade.
5. Flip the blades and replace hardware.
6. Re-install each Aqua-Mizer system, brushes or pad drivers and shrouds.

MAINTENANCE

4. SCRUB BRUSHES

There are four different types of brushes available to cover applications from cleaning heavily soiled floors to polishing. A pad driver is also available to take advantage of the many cleaning pads on the market. Please refer to the following to assist in selecting the proper brush or pad for the work at hand.

UNCOATED FLOORS

Aggressive Grit is a nylon fiber impregnated with silicone carbide grit. It grinds away stain, soil, and removes surface material.

Mild Grit is a less aggressive silicone carbide grit suitable for cleaning medium soil conditions. Advantages are faster ground speed than nylon bristles on light solid applications.

Polypropylene is a general-purpose scrub brush with stiff bristles. Polypropylene works well for maintaining concrete, wood and tile floors.

FINISHED FLOORS

Nylon bristles are used in a variety of applications on coated or uncoated surfaces.

White Pads (Polishing) are used for dry polishing to achieve a high-gloss appearance, or surface washing on highly polished or burnished floors.

Red Pads (Buffing) are used for light-duty scrubbing. When used with a mild detergent they will provide surface cleaning without removing the finish.

Blue Pads (Scrubbing) are used for heavy-duty scrubbing and light stripping. The blue pads remove less finish than brown stripping pads, yet will remove black marks, stains and dirt.

Black Pads (Stripping) are used for easy and complete removal of old floor waxes/finishes. They will quickly remove ground in dirt, black heel marks, and spills. When used with the proper stripper, this pad leaves the floor clean and ready for finishing.

The scrub brushes should be checked before each days work for wire, string, wear and damage.

REPLACING OR INSTALLING SCRUB BRUSHES

1. With the scrub deck up, turn "OFF" the machine.
FOR SAFETY: Before leaving or servicing the machine; stop on level surface, turn OFF machine and remove key.

2. Remove the brush cover shrouds.
3. Locate release lever on top of brush or pad driver. Rotate release lever counter-clockwise and the brush/pad driver will release and drop down.

4. To reinstall, center the brush driver under the brush drive hub. Raise until it contacts brush driver assembly. Turn clockwise until release lever plate locks into position.

5. Replace the brush cover shrouds.

NOTE: Check that release plate is completely closed and pad/brush is securely attached. Damage to driver or brush could occur.

5. RECOVERY TANK FLOAT SHUT-OFF

When water is no longer being vacuumed from the floor and the vacuum fan is operating, the ball float has engaged. The vacuum motor will not vacuum water with recovery tank full. The recovery tank must be drained.

1. The float shut-off screen can be cleaned in or out of the machine.
2. To clean the float shut-off while it is inside the machine wipe material off screen then rinse. Check that the ball is also clean and moves freely.
3. To remove the float shut-off, grasp the screen with one hand and the connected tube with the other. Tilt and pull the float screen assembly to pull it off the barb on the tube.
4. To install, place one hand on the tube, and then tilt and push the float screen assembly over the barb on the tube.

6. SOLUTION STRAINER

The solution strainer is located in front of the left front wheel. The solution strainer protects the solenoid valve from debris. If there is little or no solution flow to the ground, check the strainer for debris. Drain the solution tank and clean the solution strainer. To remove the strainer, turn the bottom part of the strainer counterclockwise until the bottom is separated. Clean out the debris from the wire mesh and re-assemble. Make sure the O-ring gasket is in place when re-assembled

7. BRUSH MOTOR

WARNING

Do not use a pressure washer to clean around the brush motors. Use tap pressure only.

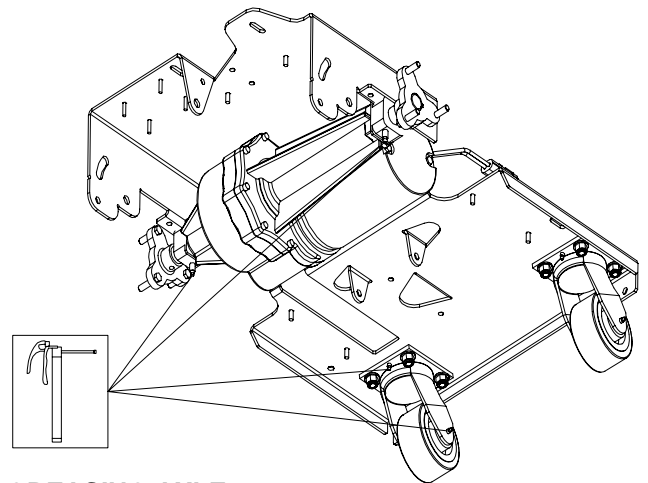
CHANGING BRUSH MOTORS

1. With the scrub deck in the stored position, disconnect brush motor wiring connector from harness.
2. Remove shrouds from scrub deck to access and remove scrub brushes or pad drivers.
3. Remove retaining bolt, lock washer, flat washer and star drive from brush motor shaft.
4. Remove 4 brush motor mounting bolts located under scrub deck.
5. Remove brush motor.
6. Reverse steps to install.

BRUSH MOTOR CARBON BRUSH REPLACEMENT

1. Scribe alignment mark on motor barrel to motor cap. Remove two bolts.
2. Remove end cap from motor.
NOTE: Motors contain two wave washers in cap. Do not lose these.
3. Release brush from spring tension. Remove screw connecting brush wire lead to brush holder. Clean brush holder to insure free movement.
4. Retract spring and install new brush. Install connector screw and lead.
5. When all new brushes are installed. Place all in retracted position, held into brush holder by spring tension.
6. Carefully place end cap onto bearing on motor shaft.
NOTE: Use care to assure wave washer alignment.

7. With end cap in partially installed position, release all brushes to contact position with motor commutator.
NOTE: Failure to insure all brushes are released will result in motor failure.
8. Reset end cap and realign with scribe marks on motor barrel. Reinstall the two attach bolts from cap into base.
9. Maintain alignment between motor barrel base and cap.



GREASING AXLE

Mobiltemp®78 or compatible clay-based or calcium-based grease.

NOTE: Use hand operated grease gun only.

MAINTENANCE

8. TRACTION MOTOR

WARNING

Do not use a pressure washer to clean around the motors. Use tap pressure only.

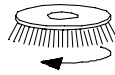
TRACTION MOTOR CARBON BRUSH REPLACEMENT

FOR SAFETY: Before leaving or servicing machine, stop on a level surface, turn off machine and remove key.

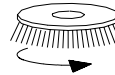
1. Disconnect batteries from machine.
2. Disconnect the electrical connection to the traction motor.
3. Remove brush cap.
4. Release brush from spring tension. Remove screw connecting brush wire lead to brush holder. Clean brush holder to insure free movement.
5. Install new brush and reinstall connecting screw and lead.
6. When all new brushes are installed. Place all in retracted position, held into brush holder by spring tension.
7. Carefully replace brush cap onto bearing on motor shaft.

9. CIRCUIT BREAKERS

Circuit breakers interrupt the flow of power in the event of an electrical overload. When a circuit breaker is tripped, reset it by pressing the exposed button. If a circuit breaker continues to trip, the cause of the electrical overload should be found and corrected.



30 Amp. Protects the left scrub brush motor.



30 Amp. Protects the right scrub brush motor.



25 Amp. Protects the vacuum motor.



25 Amp. Protects the propel motor.



3 Amp. Protects the machine controls.

10. BRUSH SHROUDS & BRUSH SKIRTS

Contain the water in the shroud area. The skirt will flex over uneven floors and also as the brush or pad wears. As the brush wears the shrouds can be adjusted so that skirt does not have to flex so much.

Remove three bolts on each side that fasten the bracket to the cover and re-assemble in the top holes. When the brushes are replaced with new ones move the covers back to the lower set of holes.

11. VACUUM MOTOR

(Refer to the Vacuum Group in the parts section of manual)

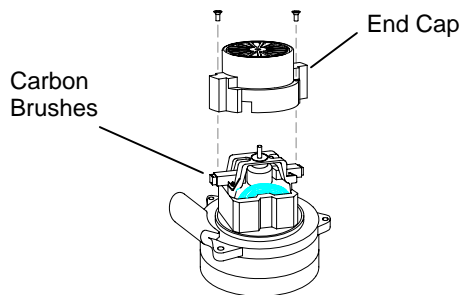
⚠ WARNING

Do not use a pressure washer to clean around the vacuum motors. Use tap pressure only. Care must be taken so that water is not directed into vacuum motor air intakes.

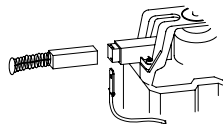
CHANGING VACUUM MOTOR

1. Disconnect batteries from machine.
2. Remove front cover.
3. Disconnect electrical connector to the vacuum motor.
4. Loosen clamp and disconnect hose from vacuum intake.
5. Remove vacuum motor mounting bracket bolts.
6. Remove vacuum motor from mounting bracket.
7. Reverse steps to install.

Vacuum Motor Carbon Brushes Replacement (Windsor)

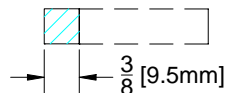


If armature commutator is grooved, extremely pitted or not concentric, the motor will need to be replaced or sent to a qualified service center.



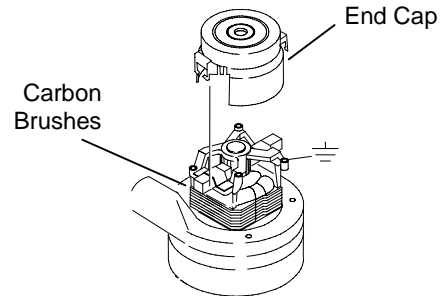
Important:

These brushes wear quicker as the length shortens due to increased heat. Spring inside brush housing will damage motor if brushes are allowed to wear away completely.

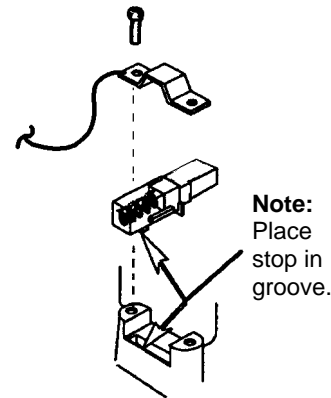


Periodically check the length of the carbon brushes. Replace both carbon brushes when either is less than 3/8" (9.5mm) long.

Vacuum Motor Carbon Brushes Replacement (Ametek)

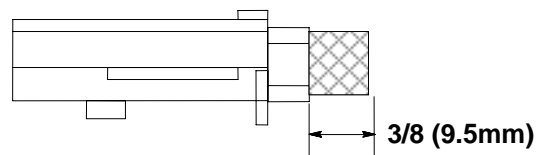


If armature commutator is grooved, extremely pitted or not concentric, the motor will need to be replaced or sent to a qualified service center.



Important:

These brushes wear quicker as the length shortens due to increased heat. Spring inside brush housing will damage motor if brushes are allowed to wear away completely.



Periodically check the length of the carbon brushes. Replace both carbon brushes when either is less than 3/8" (9.5mm) long.

MACHINE TROUBLESHOOTING

| PROBLEM | CAUSE | SOLUTION |
|---|---|--|
| Poor or no water pick-up | Squeegee out of adjustment | Adjust squeegee |
| | Debris caught on squeegee | Remove debris |
| | Worn squeegee blades | Rotate or replace squeegee blades |
| | Vacuum hose clogged | Clear obstruction from hose |
| | Vacuum hose disconnected from squeegee or recovery tank | Reconnect vacuum hose |
| | Vacuum hose damaged | Replace vacuum hose |
| | Recovery tank not sealed | Place recovery tank dome on tank. Replace damaged gaskets. |
| | Foam filling recovery tank | Empty recovery tank Use less or different detergent Use defoamer |
| Vacuum motor does not run, or runs slowly | Recovery tank full | Drain recovery tank |
| | Recovery tank float system dirty | Clean float system |
| | Circuit breaker tripped | Reset circuit breaker |
| | Loose connection | Check motor wires and connections |
| | Faulty vacuum switch | Replace switch |
| | Worn vacuum motor brushes | Replace brushes, check commutator |
| Poor scrubbing performance | Debris caught in scrub brushes | Remove debris |
| | Worn brushes or pads | Replace brushes or pads |
| | Improper detergent, brush or pad used | Contact equipment or application specialist |
| | Low scrub brush down pressure | Increase brush pressure |
| | Low battery charge | Charge batteries |
| Brush motors do not run, or runs slowly | Circuit breaker(s) tripped | Reset circuit breaker(s) |
| | Loose connection | Check motor wires and connection |
| | Faulty brush motor contactor | Replace contactor |
| | Worn brush motor brushes | Replace brushes, check commutator |

MACHINE TROUBLESHOOTING

| PROBLEM | CAUSE | SOLUTION |
|---|---|---|
| Little or no solution flow to the floor | Solution tank empty | Fill solution tank |
| | Solution flow turned off or set too low | Turn on or increase flow setting |
| | Solution strainer plugged | Clean solution strainer |
| | Solution hoses obstructed | Clear obstruction from hose |
| | Solution solenoid valve obstructed or stuck | Clean or replace |
| | Vent hole in solution tank lid obstructed | Clear obstruction from vent hole |
| No power to machine | Battery disconnected | Check all battery cable connections |
| | Emergency shut-off activated (If included) | Reset |
| | Battery connections corroded | Clean connections |
| | Faulty main contactor | Replace contactor |
| | Faulty key switch | Replace switch |
| Little or no propel | Low battery charge | Charge batteries |
| | Wheels spin | Decrease brush pressure |
| | Controller overheated | Allow cool down period Adjust brush shroud if needed |
| | Loose connection | Check motor wires and connection |

Free Manuals Download Website

<http://myh66.com>

<http://usermanuals.us>

<http://www.somanuals.com>

<http://www.4manuals.cc>

<http://www.manual-lib.com>

<http://www.404manual.com>

<http://www.luxmanual.com>

<http://aubethermostatmanual.com>

Golf course search by state

<http://golfingnear.com>

Email search by domain

<http://emailbydomain.com>

Auto manuals search

<http://auto.somanuals.com>

TV manuals search

<http://tv.somanuals.com>