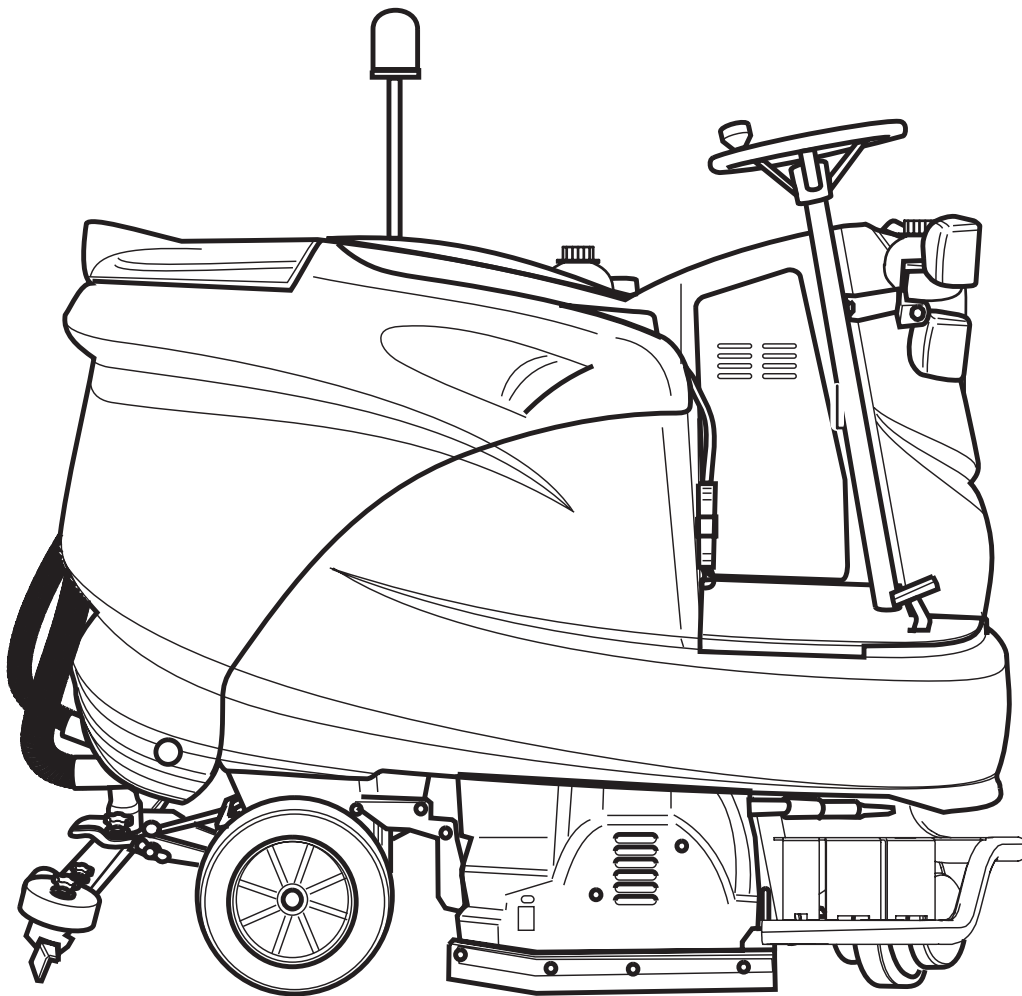


Saber Glide 30

Saber Glide 30 SP

English	3
Français	18
Español	34



5.961-203 03/07

IMPORTANT SAFETY INSTRUCTIONS

Read all the instructions before using the product.

⚠ WARNING

To reduce the risk of fire, electric shock, or injury:

- 1 Do not leave the unit when plugged in. Unplug from outlet when not in use and before servicing.
- 2 To reduce the risk of electric shock use indoors only.
- 3 Do not allow to be used as a toy. Close attention is necessary when used near children.
- 4 Use only as described in this manual. Use only manufacturer's recommended attachments.
- 5 Do not use with damaged cord or plug. If the unit is not working as it should, has been dropped, damaged, left outdoors, or dropped into water, return it to a service center.
- 6 Do not pull or carry by cord, use cord as a handle, close a door on cord, or pull cord around sharp edges or corners. Do not run the unit over cord. Keep cord away from heated surfaces.
- 7 Do not unplug by pulling on cord. To unplug, grasp the plug, not the cord.
- 8 Do not handle plug or unit with wet hands.
- 9 Do not put any object into openings. Do not use with any opening blocked; keep free of dust, lint, hair, and anything that may reduce air flow.
- 10 Keep hair, loose clothing, fingers, and all parts of body away from openings and moving parts.
- 11 Turn off all controls before unplugging.
- 12 Use extra care when cleaning on stairs.
- 13 Do not use to pick up flammable or combustible liquids, such as gasoline, or use in areas where they may be present.
- 14 Connect to a properly grounded outlet only. See Grounding Instruction.

SAVE THESE INSTRUCTIONS

GROUNDING INSTRUCTIONS

This product must be grounded. If it should malfunction or breakdown, grounding provides a path of least resistance for electric current to reduce the risk of electric shock. This product is equipped with a cord having an equipment-grounding conductor and a grounding plug. The plug must be plugged into an appropriate outlet that is properly installed and grounded in accordance with all local codes and ordinances.

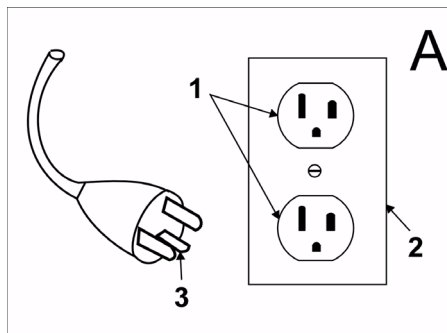
⚠ DANGER

Improper connection of the equipment-grounding conductor can result in a risk of electrocution. Check with a qualified electrician or service personnel if you are in doubt as to whether the outlet is properly grounded. Do not modify the plug provided with the

product - if it will not fit the outlet, have a proper outlet installed by a qualified electrician. Do not use any type of adapter with this product.

This appliance is for use on a nominal 120-volt circuit and has a grounding attachment plug that looks like the plug illustrated in sketchpicture A. Make sure that the appliance is connected to an outlet having the same configuration as the plug. No adaptor should be used with this appliance.

CONNECT TO A PROPERLY GROUNDED OUTLET ONLY



- 1 Grounded outlet
- 2 Grounded outlet box
- 3 Grounded pin

OPERATOR QUALIFICATIONS

Only trained and authorized persons shall be permitted to operate a powered floor scrubber. Operators of powered floor scrubbers shall be qualified as to visual, auditory, physical, and mental ability to operate the equipment safely.

OPERATOR TRAINING

Personnel who have not been trained to operate powered floor scrubbers may operate a floor scrubber for the purposes of training only, and under the direct supervision of the trainer. This training should be conducted in an area away from other trucks, obstacles, and pedestrians.

The operator training program should include the user's policies for the site where the trainee will operate the floor scrubber, the operating conditions for that location, and the specific floor scrubber the trainee will operate. The training program shall be presented to all new operators regardless of previous experience.

The training shall inform the trainee that:

- A The primary responsibility of the operator is to use the powered floor scrubber safely following the instructions given in the training program.
- B Unsafe or improper operation of a powered floor scrubber can result in: death or serious injury to the operator or others; damage to the powered floor scrubber or other property.

The training program shall emphasize safe and proper operation to avoid injury to the operator and others and prevent property damage, and shall cover the following areas:

- A Fundamentals of the powered floor scrubber(s) the trainee will operate:
 - 1 characteristics of the powered floor scrubber(s), including variations between powered floor scrubbers in the workplace;
 - 2 similarities to and differences from automobiles;
 - 3 significance of nameplate data, warnings, and instructions affixed to the powered floor scrubber;
 - 4 operating instructions and warnings in the operating manual for the powered floor scrubber, and instructions for inspection and maintenance to be performed by the operator;
 - 5 type of motive power and its characteristics;
 - 6 method of steering;
 - 7 braking method and characteristics;
 - 8 visibility forward and reverse;
 - 9 stability characteristics with and without load, with and without attachments;
 - 10 controls-location, function, method of operation, identification of symbols;
 - 11 battery charging;
 - 12 guards and protective devices for the specific type of powered floor scrubber;
 - 13 other characteristics of the specific powered floor scrubber.
- B Operating environment and its effect on powered floor scrubber operation, including:
 - 1 floor or ground conditions including temporary conditions;
 - 2 ramps and inclines;
 - 3 battery charging facilities;
 - 4 narrow aisles, doorways, overhead wires and piping, and other areas of limited clearance;
 - 5 areas where the powered floor scrubber may be operated near other powered industrial trucks, other vehicles, or pedestrians;
 - 6 use and capacity of elevators;
 - 7 operation near edge of dock or edge of improved surface;
 - 8 other special operating conditions and hazards which may be encountered.
- C Operation of the powered floor scrubber, including:
 - 1 proper preshift inspection and approved method for removing from service a powered floor scrubber which is in need or repair;
 - 2 traveling, turning corners;
 - 3 parking and shutdown procedures;
 - 4 other special operating conditions for the specific application.
- D Operating safety rules and practices, including:
 - 1 provisions of this Standard in Section „operating safety rules and practices“;
 - 2 other rules, regulations, or practices specified by the employer at the location where the powered floor scrubber will be used.

- E Operational training practice, including:
- 1 if feasible, practice in the operation of powered floor scrubbers shall be conducted in an area separate from other workplace activities and personnel;
 - 2 training practices shall be conducted under the supervision of the trainer;
 - 3 training practice shall include the actual operation or simulated performance of all operating tasks such as maneuvering, traveling, stopping, starting, and other activities under the conditions which will be encountered in the use of the powered floor scrubber.

TESTING, RETRAINING AND ENFORCEMENT

- A During training, performance and oral and/or written tests shall be given by the employer to measure the skill and knowledge of the operator in meeting the requirements of the Standard. Employers may delegate such testing to others but shall remain responsible for testing. Appropriate records shall be kept.
- B Operators shall be retrained when new equipment is introduced, existing equipment is modified, operating conditions change, or an operator's performance is unsatisfactory.
- C The user shall be responsible for enforcing the safe use of the powered floor scrubber according to the provisions of this Standard.

NOTE: Information on operator training is available from such sources as powered floor scrubber manufacturers, government agencies dealing with employee safety, trade organizations of users of powered industrial trucks, public and private organizations, and safety consultants.

OPERATING SAFETY RULES AND PRACTICES

Operator Responsibility

Safe operation is in the responsibility of the operator.

The operator shall develop safe working habits and also be aware of hazardous conditions in order to protect himself, other personnel, the powered floor scrubber, and other material.

The operator shall be familiar with the operation and function of all controls and instruments before undertaking to operate the unit.

Before operating the unit, operators shall have read and be familiar with the operator's manual for the particular unit being operated and they shall also abide by the safety rules and practices in the following paragraphs.

Before operating any unit, the operator shall be familiar with unusual operating conditions which may require additional safety precautions or special operating instructions.

General

Before starting to operate the powered floor scrubber:

- A be in operating position;
- B place directional controls in neutral;
- C apply brake;
- D turn switch to ON position.

Do not start or operate the unit, any of its functions or attachments, from any place other than from the designated operators position.

Keep hands and feet inside the operator's designated area or compartment of the unit. Understand unit limitations and operate the unit in a safe manner so as not to cause injury to personnel. Safeguard pedestrians at all times.

- A Do not drive a powered floor scrubber up to anyone standing in front of an object.
- B Ensure that personnel stand clear of the rear swing area before conducting turning maneuvers.
- C Exercise particular care at cross aisles, doorways, and other locations where pedestrians may step into the path of travel of the powered floor scrubber.

Do not permit passengers to ride on powered floor scrubbers unless a safe place to ride has been provided by the manufacturer.

A powered floor scrubber is attended when the operator is less than 25 ft. (7.6 m) from the unit, which remains in his view.

A powered floor scrubber is unattended when the operator is more than 25 ft. (7.6 m) from the unit, which remains in his view, or whenever the operator leaves the unit and it is not in his view.

Before leaving the operator's position:

- A bring the unit to a complete stop;
- B place the directional controls in neutral;
- C apply the parking brake;
- D stop the engine or turn off the controls;
- E if the unit must be on an incline, block the wheels.

Maintain a safe distance from the edge of ramps, platforms, and other similar working surfaces.

When powered floor scrubbers are driven on and off highway trucks or trailers, the brakes on the highway trucks or trailers shall be applied and wheel chocks or other positive mechanical means shall be used to prevent unintentional movement of highway trucks and trailers.

Whenever powered floor scrubbers are driven on and off semitrailers that are not coupled to a tractor, supports may be needed to prevent impending or corner dipping. Care shall be taken not to contact overhead installations such as lights, wiring, pipes, sprinkler systems, etc.

Report all accidents involving personnel, building structures, and equipment to the supervisor or as directed.

Do not add to, or modify the unit.

Do not block access to fire aisles, stairways or fire equipment.

Traveling

Observe all traffic regulations including authorized plant speed limits. Under normal traffic conditions, keep to the right. Maintain a safe distance, based on speed of travel, from the unit ahead; and keep the unit under control at all times.

Yield the right of way to pedestrians and emergency vehicles such as ambulances and fire trucks.

Do not pass another truck traveling in the same direction at intersections, blind spots, or at other dangerous locations.

Slow down and sound the audible warning device(s) at cross aisles and other locations where vision is obstructed.

Cross railroad tracks at an angle wherever possible. Do not park closer than 6 ft (1800 mm) to the nearest rail of a railroad track.

Ascend or descend grades slowly, and with caution. Avoid turning, if possible, and use extreme caution on grades, ramps, or inclines; normally travel straight up and down.

Keep a clear view of the path of travel and observe for other traffic, personnel, and safe clearances.

Under all travel conditions, operate the unit at a speed that will permit it to be brought to a stop in a safe manner.

Make starts, stops, turns, or direction reversals in a smooth manner so as not to shift load and/or overturn the powered floor scrubber.

Do not indulge in stunt driving or horseplay. Slow down for wet and slippery floors.

Before driving over a dockboard or bridge plate, be sure that it is properly secured. Drive carefully and slowly across the dockboard or bridge plate, and never exceed its rated capacity.

Do not drive powered floor scrubbers onto any elevator unless specifically authorized to do so. Approach elevators slowly, and then enter squarely after the elevator car is properly leveled. Once on the elevator,

neutralize the controls, shut off power, and set brakes. It is advisable that all other personnel leave the elevator before the powered floor scrubber is allowed to enter or leave.

When negotiating turns, reduce speed to a safe level consistent with the operating environment. Make the turns smoothly. Except when maneuvering at a very low speed, turn the steering control at a moderate, even rate.

The operation of a powered floor scrubber requires special safety considerations, as follows:

A A powered floor scrubber may tip over if an operator fails to slow down to a safe speed before making turns. Indications that a truck is being driven at an excessive speed during turning maneuvers include:

- 1 tire skidding;
- 2 unit side sway;
- 3 wheel lift; and
- 4 the need to grip the steering wheel tight-

- ly to keep from sliding out of the seat.
- B The likelihood of lateral tipover is increased under any of the following conditions, or combinations of them:
- 1 traveling on an uneven surface;
 - 2 traveling at excessive speed.
- C Tipping forward can occur and its likelihood is increased under the following conditions, or combination of them:

- 1 The operator should stay with the powered floor scrubber if it falls off a loading dock or ramp. The operator should hold on firmly and lean away from the point of impact.
- 2 Where the environment presents a severe hazard, or there are other unusual operating conditions, the user may need to establish different and/or additional safety precautions and special operating instructions appropriate for the conditions.

Operator care of the unit

At the beginning of each shift and before operating the powered floor scrubber, check its condition, giving special attention to the following:

- A condition of tires
- B if pneumatic tires, check inflation pressures
- C warning and safety devices
- D lights
- E battery
- F controls
- G lift and tilt systems
- H chains and cables
- I limit switches
- J brakes
- K steering mechanism
- L additional items or special equipment as specified by the user and/or manufacturer

If the unit is found to be in need of repair or in any way unsafe, or contributes to an unsafe condition, the matter shall be reported immediately to the user's designated authority, and the unit shall not be operated until it has been restored to safe operating condition.

If during operation the unit becomes unsafe in any way, the matter shall be reported immediately to the user's designated authority, and the unit shall not be operated until it has been restored to safe operating condition.

Do not make repairs or adjustments unless specifically authorized to do so.

Do not use open flames when checking electrolyte level in storage batteries.

MAINTENANCE AND RE-BUILD PRACTICES

Operation of the unit may be hazardous if maintenance is neglected or repairs, rebuilds, or adjustments are not performed in accordance with the manufacturer's design criteria. Therefore, maintenance facilities (on or off premises), trained personnel, and detailed procedures shall be provided.

Parts manuals and maintenance manuals may be obtained by the powered floor scrubber manufacturer.

In unusual cases not covered by the manuals referred above, consult the powered floor scrubber manufacturer.

Maintenance and inspection of the unit shall be performed in conformance with the following practices:

- A a schedules planned maintenance, lubrication, and inspection system shall be followed; consult the manufacturer's recommendations.
- B only trained and authorized personnel shall be permitted to maintain, repair, adjust, and inspect the unit, and in accordance with manufacturer's specifications.

When lifting powered floor scrubbers for repair or inspection, the units shall be lifted in a safe, secure, stable manner. Removal of components such as counterweights or up-rights will change the center of gravity and may create an unstable condition.

Before starting inspection and repair of powered floor scrubber:

- A raise drive wheels free of floor and disconnect battery and use chocks or other positive truck-positioning devices;
- B block chassis before working on them;
- C disconnect battery before working in the electrical system;
- D the charger connector shall be plugged only into the battery connector and never into the unit connector.

Operation of the powered floor scrubber to check the performance shall be conducted in an authorized area where safe clearance exists.

- A Before starting to operate the unit:
 - 1 be in operating position;
 - 2 apply brake;
 - 3 place directional controls in neutral;
 - 4 turn switch to ON position;
 - 5 check functioning of lift and tilt systems, steering, warning devices, and brakes.
- B Before leaving the unit:
 - 1 stop unit;
 - 2 place directional control in neutral;
 - 3 apply the parking brake;
 - 4 stop the engine or turn off the power;
 - 5 turn off the control circuit;
 - 6 if the unit must be left on an incline, block the wheels.

Avoid fire hazards and have fire protection equipment present in the work area. Do not use an open flame to check the level of any fluid, especially battery electrolyte. Do not use open pans of fuel or flammable cleaning fluids for cleaning parts.

Properly ventilate work area, vent exhaust fumes, and keep shop clean and dry.

Brakes, steering mechanisms, control mechanisms, warning devices, lights, governors, guards and safety devices, articulating axle stops, and frame members shall be carefully and regularly inspected and maintained in safe operating condition.

FIRE SAFETY STANDARD

Any unit not in safe operating condition shall be removed from service.

Repairs to the electrical system of battery powered floor scrubbers shall be performed only after the battery has been disconnected.

Operating Temperature. When the temperature of any part of any powered floor scrubber is found to be in excess of its normal operating temperature and creates a hazardous condition, the vehicle shall be removed from service and shall not be returned to service until the cause for such overheating has been eliminated.

Fire Prevention. The unit shall be kept in a clean condition and reasonably free of lint, excess oil, and grease. Noncombustible agents are preferred for cleaning the unit. Flammable liquids [those having flash points at or above 100°F (37,8°C)] are not allowed. Precautions regarding toxicity, ventilation, and fire hazard shall be appropriate for the agent or solvent used.

Nameplate Visibility. The unit type designations as shown on the nameplate and the type markers shall not be covered over with paint so that their identification information is obscured.

Changing and Charging Storage Batteries.

This section shall apply to batteries used on electric trucks. The two types of batteries commonly are lead and nickel-iron. They contain corrosive chemical solutions, either acid or alkali, and, therefore, present a chemical hazard. While being charged, they give off hydrogen and oxygen, which, in certain concentrations, are explosive. Battery-charging installations shall be located in areas designated for that purpose; such areas shall be kept free of extraneous combustible materials. Facilities shall be provided for the following:

- A Flushing spilled electrolyte;
- B Fire protection;
- C Protecting charging apparatus from damage by trucks, and
- D Adequate ventilation for dispersal of fumes from gassing batteries.

Where on-board chargers are used, charging shall be accomplished at locations designated for that purpose, taking into account the electrical requirements of the charger and facilities for fire protection.

Exception: Flushing facilities shall not be required if charging is accomplished without removing the battery from the vehicle. Where handling acid concentrates greater than 50 percent acid (above 1.400 specific gravity) an eye-wash fountain shall be provided.

A conveyor, overhead hoist, or equivalent material handling equipment shall be provided for handling batteries.

Chain hoists shall be equipped with load-chain containers. Where a hand hoist is used, uncovered batteries shall be covered with a sheet of plywood or other noncon-

ducting material to prevent the hand chain from shorting in cell connectors or terminals. A properly insulated spreader bar shall be used with any overhead hoist. Reinstalled or new batteries shall meet or exceed the battery type marked on the unit. Reinstalled batteries shall be positioned properly and secured in the unit. A carboy tilter or siphon shall be provided where acid in carboys is used. Where diluting concentrated sulfuric acid to make up electrolyte, the acid ALWAYS shall be added to the water – not reverse. Battery maintenance personnel shall wear protective clothing such as eye protection, long sleeves, and gloves.

Exception: Removal and replacement of batteries shall not require the use of protective clothing.

Electrical installations shall be in accordance with NFPA 70, National electric code, and any local ordinances.

Trained and authorized personnel shall change or charge batteries.

The powered floor scrubber shall be positioned properly and brakes shall be applied before attempting to change or charge batteries.

Where charging batteries, the vent caps shall be kept in place to avoid electrolyte spray. Care shall be taken to ensure that vent caps are functioning. The battery (or compartment) cover(s) shall be open to dissipate heat and gas.

Smoking shall be prohibited in the charging area.

Precautions shall be taken to prevent open flames, sparks, or electric arcs in battery-charging areas.

Tools and other metallic objects shall be kept away from the tops of uncovered batteries.

Dear Customer,



Please read and comply with these instructions prior to the initial operation of your appliance. Retain these operating instructions for future reference or for subsequent possessors.

Contents

Safety instructions	6
Function	6
Intended Use	6
Environmental Protection, Disposal	6
Operating and Functional Elements Before Startup	7
Operation	8
Maintenance and care	12
Faults	12
Accessories	15
Technical Specifications	16
Charger for package model	16

Safety instructions

The machine has been approved for use on surfaces with gradients of up to 10%.

The machine may only be used when the dirty water tank has been tilted forward and all the lids are closed.

Safety Devices

Safety devices serve to protect the user and must not be rendered inoperational or their functions bypassed.

Battery plug/ Emergency-stop

Pull the battery plug to put all functions out of operation immediately.

Safety button

The safety button switches off the drive motor with a delay of 1.5 seconds if the operator leaves his seat when the machine is running.

Symbols

The following symbols are used in this operating manual:

⚠ Danger

indicates an immediate threat of danger. Failure to observe the instruction may result in death or serious injuries.

⚠ Warning

indicates a possibly dangerous situation. Failure to observe the instruction may result in light injuries or damage to property.

Note

indicates useful tips and important information.

Function

The appliance is used for the wet cleaning or polishing of level floors.

- You can adjust the machine to suit the cleaning task by modifying the settings for water quantity, contract pressure and the speed of the brushes, the quantity of cleaning agent as well as the driving speed.
- A working width of 750 mm (27.5 in) and a capacity of 140 l (37 gal) each of the fresh water and dirty water tank enable effective cleaning even if the machine is used for long durations.
- The device is self-moving; the drive motor is fed by a battery.
- The batteries can be charged using a charger connected to a 120 V socket.
- Depending on the package type, battery and charger are included.

Note

The appliance can be equipped with various accessories depending on the cleaning task.

Proper use

Use this appliance only as directed in these operating instructions.

- The appliance may only be used for the cleaning of hard surfaces that are not sensitive to moisture and polishing operations.
- The application temperature ranges from +5°C to +40°C (41°F to 104°F).
- The appliance is not suited for the cleaning of frozen grounds (e.g. in cold stores).
- The appliance may only be equipped with original accessories and spare parts.
- The appliance has been developed for cleaning floors - floors inside rooms and roofed areas. With respect to other applications the usage of alternative brushes must be checked.
- The appliance is not intended for the cleaning of public traffic routes.
- The machine should not be used on surfaces that are sensitive to pressure. Please consider the allowed load per surface unit of the floor. Details of load per surface unit can be found in the technical data.
- The appliance is not suited for the use in potentially explosive environments.
- The machine should not be used to suck in flammable gases, undiluted acids or solvents.

This includes petrol, thinning agents or hot oil that can form an explosive mixture when it comes in contact with sucked air. Do not use acetone, undiluted acids and solvents as they are aggressive towards the materials from which the appliance is made.

Environmental Protection, Disposal

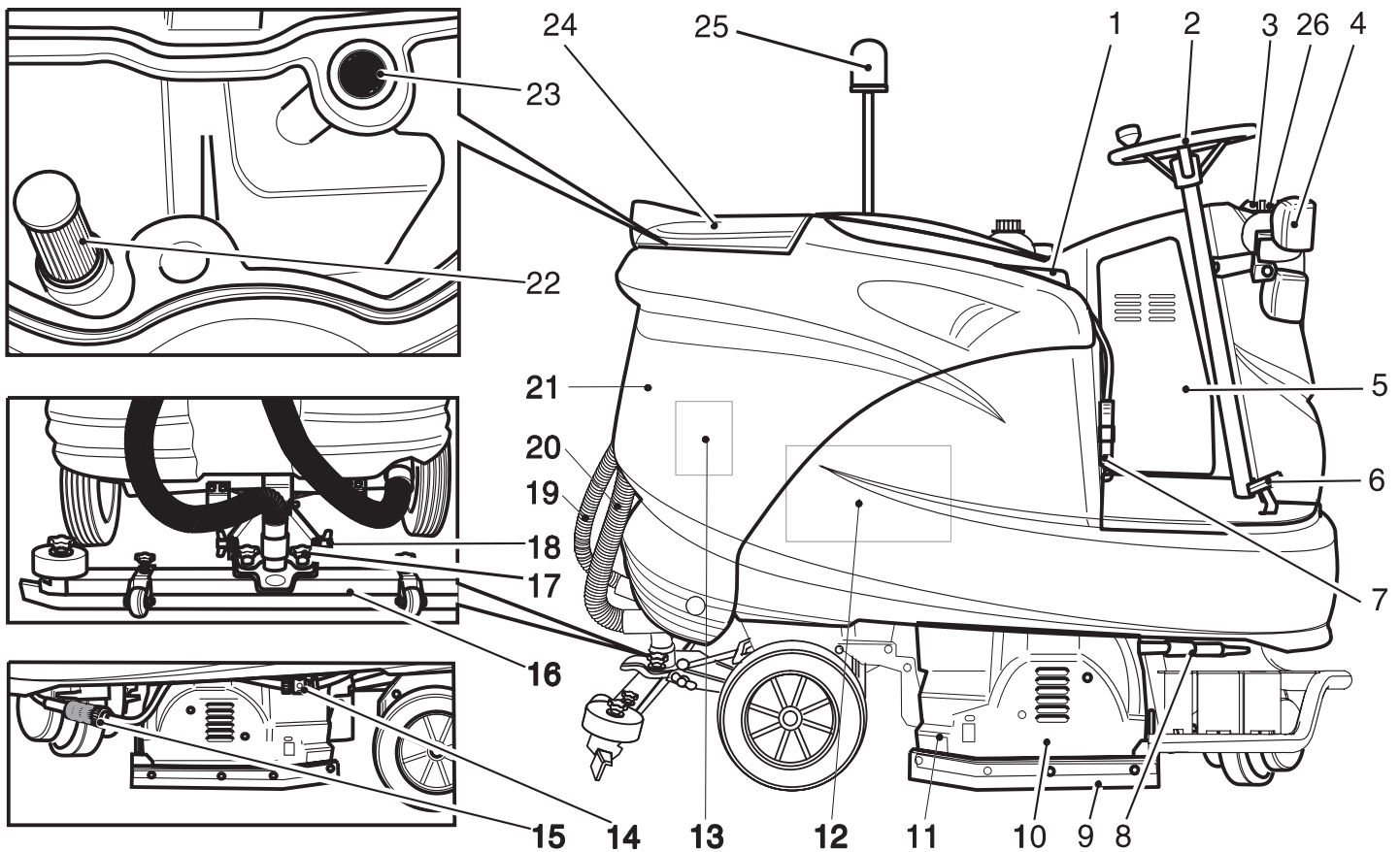


The packaging materials are recyclable. Please do not throw packaging in the domestic waste but pass it on for recycling.



Old units contain valuable recyclable materials. Batteries, oil and similar substances may not be released into the environment. Therefore please dispose of old units through suitable collection systems.

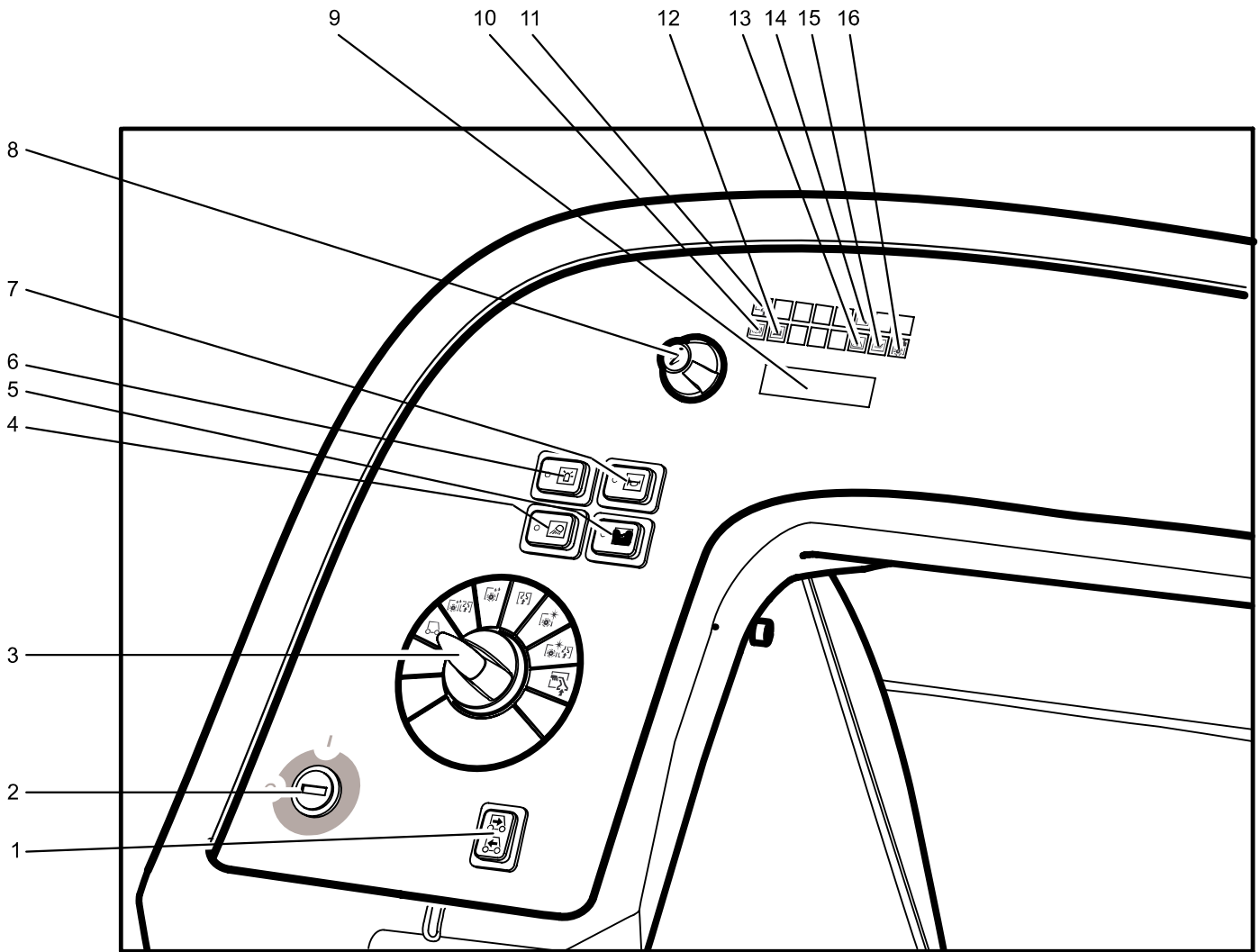
Operating and Functional Elements



- 1 Seat (with seat contact button)
- 2 Steering wheel
- 3 Fresh water tank lock
- 4 Light (optional)
- 5 Electronics/control
- 6 Drive pedal
- 7 Battery plug/ Emergency-stop
- 8 Switching recycling/ fresh water mode (optional)
- 9 Wiping flap
- 10 Cleaning head
- 11 Waste container (only SP)
- 12 Battery
- 13 Suction turbine
- 14 Hose coupling for draining fresh water
- 15 Fresh water filter
- 16 Squeegee tool *
- 17 Cross handles for fastening the squeegee tool
- 18 Wing nuts for tilting the squeegee tool
- 19 Suction hose
- 20 Dirty water discharge hose
- 21 Dirty water reservoir
- 22 Recycling filter (optional)
- 23 Fluff filter
- 24 Cover dirty water reservoir
- 25 Overall lamp (optional)
- 26 Detergent bottle

* not included in the delivery

Operator console



- 1 Driving direction switch
- 2 Key switch
- 3 Progame switch
- 4 Working lamp button (optional)
- 5 Switch for detergent dosing
- 6 Overall lamp button (optional)
- 7 Horn
- 8 Info button
- 9 Display
- 10 Indicator lamp - automatic immobilizing brake active
- 11 Indicator lamp - manual cleaning program active
- 12 Indicator lamp - battery monitoring
- 13 Indicator lamp - fault
- 14 Indicator lamp - service
- 15 Indicator lamp - Dirty water tank full
- 16 Indicator lamp - brush overload

Before Commissioning

Batteries

Please observe the following warning notes when handling batteries:



Observe the directions on the battery, in the instructions for use and in the vehicle operating instructions

	Wear eye protection
	Keep children away from acid and batteries
	Danger of explosion
	Fire, sparks, naked flames and smoking must be strictly avoided
	Danger of chemical burns
	First aid
	Warning note
	Disposal
	Do not throw the battery into the regular waste

⚠ Danger

Danger of explosion. Do not put tools or

similar on the battery, i.e. on the terminal poles and cell connectors.

Risk of injury. Ensure that open wounds never come into contact with lead. Always clean your hands after having worked with batteries.

Insert batteries and connect

- ➔ Tilt the water tank backwards.
- ➔ Insert the battery in the trough.

⚠ Warning

Pay attention to correct poles.

- ➔ Connect the connection cable to the free battery poles (+) and (-).
- ➔ Tilt the water tank towards the front.

⚠ Warning

Charge the battery before using the machine.

Charging battery

Note

The device is equipped with a safety mechanism to prevent total discharge, i.e. when the permissible minimum capacity is reached, then the machine can only be driven and existing lamps can be switched on. In such a case, the battery monitoring symbol on the control console glows red.

- ➔ Drive the machine directly to the charg-

ing station; avoid any steep gradients in the process.

Note

While using other batteries (for e.g. batteries from other manufacturers) the total discharge protection level must be reset by the Windsor aftersales service according to the respective battery.

⚠ Danger

Risk of electric shock. Observe supply network and fuse protection - see "Charger". Only use the charger in dry rooms with sufficient ventilation!

Note

Average charging time is approx. 10 hours. The recommended chargers (matching the batteries used) are regulated electronically and will automatically switch off the charging process.

⚠ Danger

Danger of explosion. Wet batteries can only be charged with opened hood.

- Empty the dirty water reservoir.
- Tilt the dirty water tank backwards.
- Remove battery plug and join it to the charging cable.
- Connect the charger to the mains and turn it on.

After charging

- Switch off the charger and remove the plug from the socket.
- Pull the battery cable from the charger cable and connect it to the machine.

Maintenance-free batteries (wet batteries)

- Add distilled water one hour before the charging process comes to an end; follow the correct acid level. There are corresponding indicators on the battery. At the end of the charging process, all cells must gas.

⚠ Danger

Risk of injury!

- Adding water to the battery in its discharged state can cause the acid to leak.
- Use safety glasses while handling battery acid and follow the safety instructions to avoid personal injury or damage to clothes.
- Should the acid spray on to the skin or clothes, rinse immediately with lots of water.

⚠ Warning

Risk of damage!

- Use only distilled or desalinated water (VDE 0510) for filling the battery.
- Do not add any substances (so-called performance improving agents), else warranty claims will not be entertained.

Maximum battery dimensions

Length	Width	Height
622 mm (24.4 in)	353 mm (13.8 in)	379 mm (14.9 in)

If you use wet batteries, then follow the following instructions:

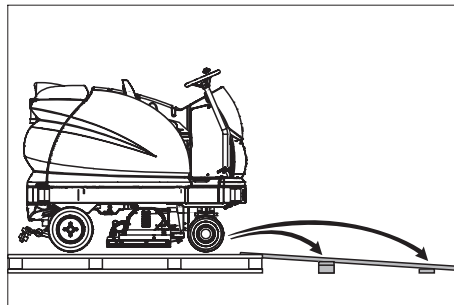
- It is necessary to conform to the maximum battery dimensions.
- While charging wet (maintenance-free) batteries, it is necessary to tilt the seat up.
- While charging wet batteries, follow the specifications of the battery manufacturer.

Unloading

Note

Pull the red battery plug to put all functions out of operation immediately.

- Cut plastic packing belt and remove foil.
- Remove the elastic tape fasteners at the stop points.
- Four indicated floor boards of the pallet are fastened with screws. Unscrew these boards.
- Place the boards on the edge of the pallet. Place the boards in such a way that they lie in front of the four wheels of the machine. Fasten the boards with screws.



- Slide the four support beams included in the packaging under the ramp.
- Remove the wooden blocks used for arresting the wheels and slide them under the ramp.
- Insert battery plug.
- Set main switch to "1".
- Press the drive direction switch and slowly move the machine down from the ramp.
- Set main switch to "0".

Installing the Brushes

Saber Glide 30

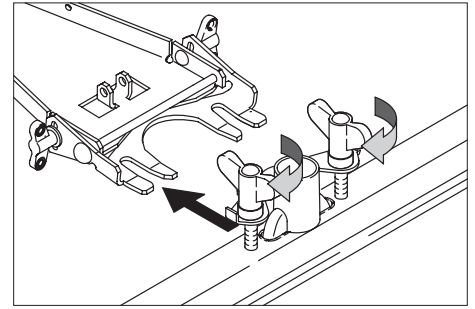
The sweep brushes must be installed before the initial operation (see "Maintenance work").

Saber Glide 30 SP

The brushes are mounted.

Installing the Squeegee Tool

- Insert the squeegee tool into the squeegee tool suspension in such a manner that the profiled sheet is positioned above the suspension.
- Tighten the cross-handles.



- Insert the suction hose.

Operation

Note

Pull the red battery plug to put all functions out of operation immediately.

Carry out the initial trials in an open surface so that you familiarise yourself with the appliance.

Check immobilizing brake

⚠ Danger

Danger of accident. The immobilizing brake must always be checked first on an even surface before starting the machine.

- Take the seating position.
- Set main switch to "1".
- Select direction of travel.
- Gently depress drive pedal.

The brake must get released and you must be able to hear it (the control lamp for immobilizing brake on the console switches off). The machine must roll slightly on a plane surface. When the pedal is released, the brake falls in in an audible manner. Switch off the machine and call the aftersales service if the above-mentioned events do not occur.

Brakes

⚠ Danger

Danger of accident. If the machine does not brake, then proceed as follows:

- If the machine does not come to a halt on a ramp with a gradient of 2% when you release the drive pedal, then pull the battery plug in the sense of an emergency-stop button for safety reasons only if the mechanical functioning of the immobilizing brake has been checked properly before starting up the machine.
- Always pull the battery plug on surfaces below 2% inclination.
- Switch off the machine only after it comes to a complete halt (on an even surface) and call up the aftersales service!
- Further, follow all warning instructions for braking.

Driving

⚠ Danger

Danger of tipping if gradient is too high.

- The gradient in the direction of travel should not exceed 10%.

Danger of tipping when driving round bends at high speed.

Danger of slipping on wet floors.

- Drive slowly when cornering.

Danger of tipping on unstable ground.

- Only use the machine on sound surfaces.

Danger of tipping with excessive sideways tilt.

- The gradient perpendicular to the direction of travel should not exceed 10%.

Note

The machine is designed in such a way that the brush head protrudes on the right. This helps in working in a proper way even close to the edges.

- Sit on the seat and set main switch to "1".
- Set the drive direction using the drive direction button at the operator console.
- Determine the driving speed by pressing the drive pedal.
- Stop the machine: Release the drive pedal.

Note

The drive direction can also be changed during the drive. You can thus clean very dirty surfaces by driving back and forth a couple of times.

Overload

In case of overloading, the drive motor automatically switches off after a certain period. A fault message is displayed on the console.

The concerned unit gets switched off if the controls get overheated.

- Allow machine to cool down at least for 15 minutes.
- Set main switch to "0".
- Wait for a while.
- Set main switch to "1".

Filling in detergents

Detergent

⚠ Warning

Risk of damage. Only use the recommended detergents. With respect to different detergents the operator bears the increased risk regarding the operational safety and danger of accident.

Only use detergents that are free from solvents, hydrochloric acid and hydrofluoric acid.

Note

Do not use highly foaming detergents.

Fresh water

- Open the cover of the fresh water reservoir.
- Fill fresh water (max. 60 °C (140°F)) until 15 cm (6 in) below the upper edge of the tank.
- Pour in detergent.
- Close the cover of the fresh water reservoir.

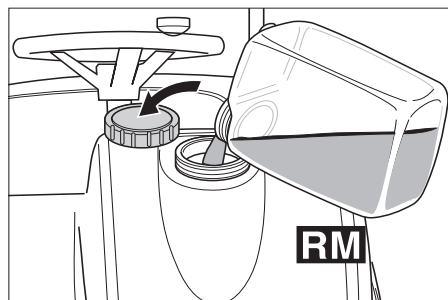
Note

Fill up the fresh water tank completely before starting up the machine to ventilate the water supply system.

Working without automatic detergent dosing

While cleaning floors in hygiene-related areas (such as hospitals, supermarkets) and for thoroughly cleaning very dirty floors.

- Open the cover of the fresh water reservoir.
- Fill up fresh water (maximum 60 °C (140 °F)) until the lower edge of filling nozzle.
- Add detergent. Follow dosing instructions for detergent.



- Close the cover of the fresh water reservoir.

Dosing equipment for detergent

Detergent is added to the fresh water on the way to the cleaning head with the help of a dosaging device.

⚠ Warning

Risk of damage to the dosing equipment. Do not add detergent to the fresh water reservoir.

Note

The dosing equipment can be used to add 3% of detergent at maximum.

- Place the detergent bottle in the holder in the front on the fresh water reservoir.
- Close the bottle lid.
- Insert the suction hose of the dosing equipment into the bottle. Ensure that the sieve of the suction hose is lying at the base of the bottle.
- Close the bottle using the lid of the dosing equipment.

You can check the filling level of the bottle through a vertical view window.

If the filling level of the detergent reaches the bottom of the bottle:

- Add detergent or replace detergent bottle.

⚠ Warning

If you want to change the detergent type, then first rinse the suction hose thoroughly using fresh water (for 60 seconds using maximum quantity of water and 3% dosing) in order to avoid chemical reactions.

Note

When the detergent bottle is fully emptied, then operate the dosing equipment for 60 seconds with maximum quantity of water and 3% dosing so that the suction hose is again fully filled up with the detergent.

Note

While refilling or replacing the detergent bottle, hang in the suction hose of the dosing equipment into the opened fresh water tank so that no detergent drops fall on the floor.

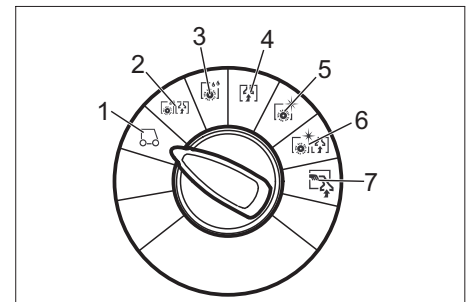
Note

If the fresh water tank is empty, then the function of adding detergent gets deactivated. The cleaning head continues to work without the addition of any liquid.

Note

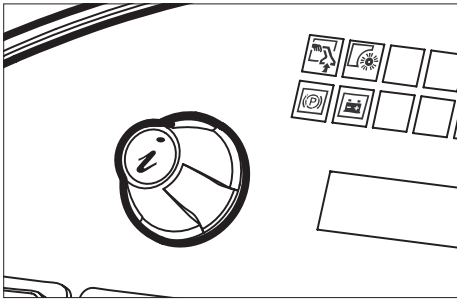
As soon as the detergent pump starts running, this is indicated through a blinking "C" in the display.

Cleaning Programs



- 1 Driving
Driving to the Place of Use.
- 2 Scrubbing suction
Wet clean the floor and vacuum up dirty water.
- 3 Wet scrubbing
Wet clean the floor and allow the detergent to react.
- 4 Vacuuming
Suck in the dirty fleet.
- 5 Polishing
Polishing the floor without the application of liquid.
- 6 Scrub the floor without applying water (vacuum polishing)
Polish the floor without applying any fluid and suck in the polishing dust.
- 7 Manual cleaning
Apply liquid detergent using the wall-ceiling-floor nozzle (optional) and vacuum it again.

Info button



Use the Info button to select the menu items and do the settings.

- Turning the button to the right/left scrolls through the menus forward/ backward.
- The selected setting gets accepted by pressing the button.

Settings

You can make the settings for the different cleaning programs in the operator menu. Different parameters can be set based on the cleaning program. The settings are done using the Info button.

Operations menu

- ➔ Release emergency-stop button by turning.
- ➔ Sit on the seat and set main switch to "1".
The display shows the battery charging status and the fresh water level.
- ➔ Select cleaning program.
- ➔ Call the operator menu by turning the info button.
- ➔ Select the desired parameter by turning the Info button. The currently set value is displayed as a bar.
- ➔ Press Info button, the bar display blinks.
- ➔ Reset the parameter by turning the Info button between "min" and "max".
- ➔ Accept modified setting by pressing the Info button or wait till the set value is accepted automatically.

Note

If the selected parameter does not change within 10 seconds, then the display goes back to displaying the battery charging status and the fresh water level.

The same cleaning parameter can have individual settings for each cleaning program.

The brush pressure can be set only when the machine is on in the programs brush suction, wet brushing, polishing and polish suction.

All settings are saved in the powerless state of the machine.

Reset parameters

- ➔ Select the menu item "Accept default values?" in the operator menu by turning the Info button
- ➔ Press Info button. The factory settings of all parameters are restored for each cleaning program.

Adjustable parameters	min:step :max	Remark
Water quantity	1:1:8	1=min., 8=max.
Dosing equipment for detergent	0,5%:0,5%: 3%	0.5=min., 3=max.
Brush pressure	0:1:8	0=min., 8=max.
FACT (brush speed)	–	Power Clean, Whisper Clean, Fine Clean
Brush rotation time after stop	0s:1s:3s	From idling to lifting
Working speed	1:1:8	1=1km/h (0.6 mph), 8=6km/h (3.7 mph)

The table given below gives details of the factory settings of the parameters for the cleaning programs. If no values are entered, then the respective parameter cannot be set in the given cleaning program.

Factory setting

	Water quantity	Brush pressure	Working speed
Scrubbing suction	5	4	4
Wet scrubbing	5	4	4
Dry vacuum cleaning	–	–	4
Polishing	–	4	4
Polish suction	–	4	4

	Dosing equipment for detergent	FACT (brush speed)	Brush rotation time after stop
Scrubbing suction	1%	P	2s
Wet scrubbing	1%	P	2s
Polishing	–	P	0s
Polish suction	–	P	0s

P=Power Clean

Switch on the dosing equipment for detergent

- ➔ Activate the switch for detergent dosing. Detergent gets added automatically.

Note

You can set the detergent dosing in the Operations menu.

Note

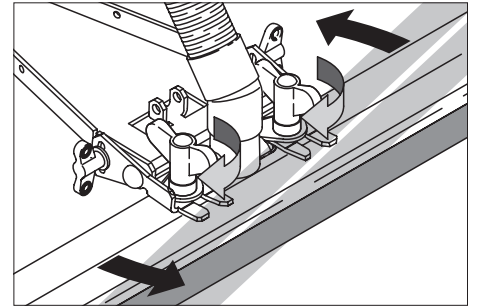
As soon as the detergent pump starts running, this is indicated through a blinking "C" in the display.

Setting the Squeegee Tool

Oblique position

To improve the vacuuming result on tiled floors the squeegee tool can be turned to an oblique position of up to 5°.

- ➔ Loosen knobs-handles.
- ➔ Turn the squeegee tool.

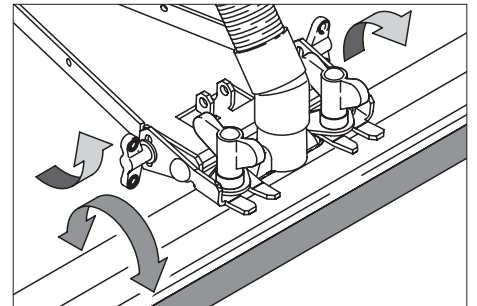


- ➔ Tighten the cross-handles.

Inclination

If the vacuum result is unsatisfactory the inclination of the straight squeegee tool can be modified.

- ➔ Release the wing nuts.
- ➔ Tilt the squeegee tool.



- ➔ Tighten the wing nuts.

Empty tanks.

Drain off dirty water

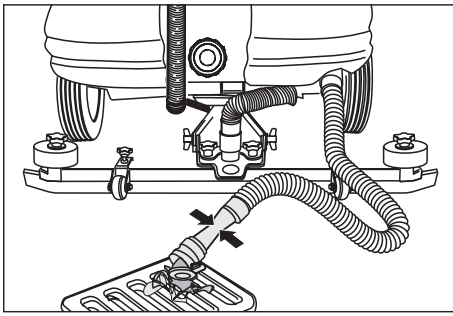
Note

Overflow dirty water tank. If the dirty water tank is full, the suction turbine switches off and the indicator lamp "dirty water tank full" begins to blink. All cleaning programs with suction are blocked for one minute. Empty the dirty water reservoir.

⚠ Warning

Please observe the local provisions regarding the wastewater treatment.

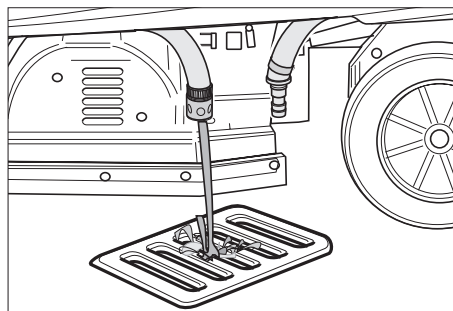
- ➔ Take the water discharge hose from the support and lower above a suited collection device.



- Let off dirty water by opening the dosage device at the discharge hose.
- Rinse the dirty water tank with clear water.

Drain off clean water

- Remove the suction hose coupling for draining off the fresh water and hold it over a suitable container.



Transport

⚠ Danger

Risk of injury! When loading or unloading the machine, it may only be operated on gradients of max. 10%. Drive slowly.

- If you want to transport the machine on a vehicle secure it from slipping using belts/ropes.

Saber Glide 30

- Remove brushes from the brush head.

Maintenance and care

⚠ Danger

Risk of injury! Before carrying out any tasks on the machine, set the main key to "0" and remove it. Pull out the battery plug.

Note

Suction turbine will continue to run for a while after switch-off. Carry out maintenance tasks only after the suction turbine has come to a halt.

- Drain and dispose of the dirty water and the residual fresh water.

Maintenance schedule

After each operation

⚠ Warning

Risk of damage. Do not wash down the appliance with water and do not use aggressive detergents.

- Drain off dirty water.
- Rinse the dirty water tank with clear water.

- Check the lint filter, clean if required
- Only SP model: Remove bulk waste container and empty it.
- Clean the outside of the appliance with a damp cloth which has been soaked in mild detergent.
- Clean the squeegee blades and the wiping lips, check for wear and replace if required.
- Check the brushes for wear, replace if required.
- Charge battery.

Monthly

- Check battery pole for oxidation; brush it if required and lubricate it using pole grease. Ensure that the connection cable sits firmly.
- Clean the seals between dirty water reservoir and cover and check for tightness, replace if required.
- Check the function of the immobilizing brake.
- Check the acid density of the cells if the batteries are not maintenance-free batteries.
- Clean the brush tunnel (only SP model).

Yearly

- Have the prescribed inspection carried out by the customer service.

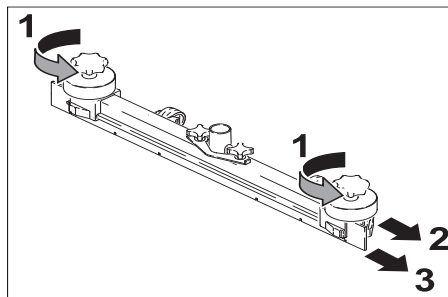
Maintenance Works

Maintenance contract

To ensure a reliable operation of the appliance maintenance contracts can be concluded with the competent Windsor sales office.

Replacing the squeegee blades

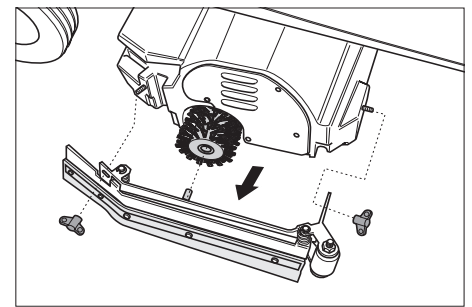
- Remove the squeegee tool.
- Loosen knobs-handles.



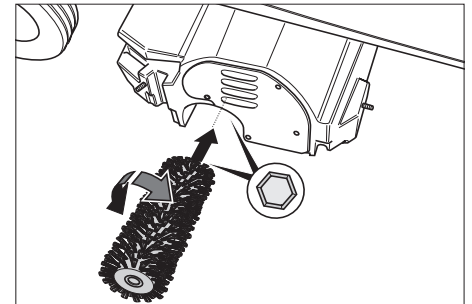
- Remove the plastic parts.
- Remove the squeegee blades.
- Insert new squeegee blades.
- Insert the plastic parts.
- Tighten the cross-handles.

Replacing the brush rollers

- Release the wing nuts.
- Remove bearing lid.



- Take out the brush roller, insert a new one (pay attention to the hexagonal intake of the brush rollers).



- Place bearing lid.
- Tighten the wing nuts.
- Repeat process on the opposite side.

Replacing the Disk Brushes

- Raise the disk brushes.
- Turn the disk brushes by approximately 45°.
- Remove the disk brushes at the bottom.
- Insert the new disk brushes in reverse sequence.

Frost protection

In case of danger of frost:

- Empty the fresh and dirty water reservoirs.
- Store the appliance in a frost-protected room.

Faults

⚠ Danger

Risk of injury! Before carrying out any tasks on the machine, set the main key to "0" and remove it. Pull out the battery plug.

- Drain and dispose of the dirty water and the residual fresh water.

In case of faults that cannot be remedied using the table below please contact the customer service.

Replace fuses

The operator may only replace the following vehicle flat fuses having the following values:

- 7.5A (F1) – Control and emergency power supply.
- 30A (F4) – Supply to stroke and accessories module.

Note

Defective fuses (F2, f3) should only be replaced by the service center. If these fuses are defective, then customer service center has to check the usage conditions and the

entire control system.

The control unit is located below the operating panel. To access the fuses the cover on the left side of the foot compartment must be removed in advance.

- Turn out the fastening screws at the upper end of the cover.
- Remove cover.
- Replace fuse.
- Replace cover.

Note

The population of fuses is displayed on the inner side of the cover.

Fault indication

The display shows the existing faults at intervals of 4 seconds (example:

Fault scrubbing funktion H1/022

If the faults continue to be displayed on the console even after 4 seconds, then proceed as follows:

- Set main switch to "0".
- Wait till the text on the display has disappeared.

- Set main switch to "1".
Carry out the troubleshooting measures in the given sequence only if the fault occurs again. The key switch must be in position "0" and the battery plug must have been pulled out.
- If the fault cannot be repaired, call customer service and mention the fault code(s) (H1/022 in the example).

Faults with display

Display		Cause	Remedy
Seat switch broken	seat switch open	Seat contact switch has not been activated.	The machine operates only if the operator is seated on the seat.
Release accelerator!	release throttle?	The gas pedal is depressed when the main switch is on.	Take your foot off the accelerator before switching on the main switch. If the fault recurs, call customer service.
battery empty -> charge!	battery empty -> charge!	The discharge level of the battery has been reached. Cleaning units can no longer be operated. Drives and lighting can be activated.	Drive the machine to the charging station and charge the battery.
battery totally discharged!	battery totally discharged!	More than the permissible battery capacity has been utilised. All units will be switched off. Machine is no longer ready for operations.	Manually unlock the front wheel brake. (Caution! The appliance does not have any braking effect now!) If unlocking is not possible, then call customer service. Move the machine slowly to the charging station. Charge battery.
Dirty reservoir full, cleaning stopped	sewage tank full cleaning stops	Dirty water reservoir is full.	Empty the dirty water reservoir.
Operating hours set to 0!	operating hours set to 0!	Internal machine error while saving the number of operating hours. During restart, the operating hours are always reset to 0.	None, for information.
Module temperature high! Let cool down!	module temp. high let cool down!	Controls are too hot.	Set main switch to "0". Wait at least 10 minutes. Set main switch to "1".
Drive motor hot! Let it cool down!	drive motor hot! let it cool down!	Drive motor has got overheated due to a steep climb or locked brake.	Set main switch to "0". Wait at least 10 minutes. Set main switch to "1". If possible, use the unit only on level surfaces. If required, check the functioning of the immobilising brake and driving pedal.
Contactors open!!	contactors open!!	Defective controls.	Set main switch to "0". Wait at least 10 minutes. Set main switch to "1".
Shut down, missing bus supply	Shutdown, missing bus supply		Inform Customer Service

Faults without display on the console

Fault	Remedy
Appliance cannot be started	Insert battery plug.
	Set main switch to "1".
	Check fuse F1, replace if required. *
	Check battery; charge it if required.
Insufficient water quantity	Check fresh water level, refill tank if necessary.
	Check hoses for blockages; clean if required.
	Clean the fresh water filter.
Insufficient vacuum performance	Clean the seals between dirty water reservoir and cover and check for tightness, replace if required.
	Clean the flat-fold filters at the suction support of the suction turbine.
	Clean the squeegee blades on the squeegee tool, replace if required
	Check suction hose for blockages; clean if required.
	Check the suction hose for tightness; replace if required.
	Check if the cover on the dirty water discharge hose is closed
	Check the setting of the squeegee tool.
Insufficient cleaning result	Set/ adjust contact pressure.
	Check the brushes for wear, replace if required.
Brushes do not turn	Reduce contact pressure.
	Check if foreign matters block the brushes; remove foreign matter if required.
Optional overall lamp and/or working lamp is not functioning	Check fuse F4, replace if required. *
* The fuses are located in the flat insertion sockets on the wiring plate and can be accessed by opening the front panel.	

Accessories

Description	Part no. Saber Glide 30 SP	Description	Piece	Appliance needs the piece
Brush roller, white (soft)	6.906-496	For polishing and cleaning sensitive floors.	1	2
Brush roller, red (medium, standard)	5.762-285	Also for regular cleaning of heavily dirtied floors.	1	2
Brush roller, orange (high/ low)	6.906-495	For scrubbing structured floors (safety tiles, etc.).	1	2
Brush roller, green (hard)	6.906-494	For thoroughly cleaning heavily dirtied floors and for removing the coating (for e.g. of wax, acrylate).	1	2
Brush roller, black (very hard)	6.906-497		1	2
Pad roller shaft	4.762-316	For intake of roller pads.	1	2
Roller pad, white (very soft)	6.369-389		20	2
Roller pad, yellow (soft)	6.369-454	For polishing floors.	20	2
Roller pad, red (medium)	6.369-456	For cleaning slightly dirtied floors.	20	2
Roller pad, green (hard)	6.369-455	For cleaning normal to heavily dirtied floors.	20	2
Side skirt for floor working head	5.394-640	Standard	1	2
Side skirt for floor working head	5.394-754	extra tough	1	2

Description	Part no. Saber Glide 30	Description	Piece	Appliance needs the piece
Disk brush, natural (white)	6.369-492	For polishing floors.	1	2
Disk brush, red (medium, standard)	6.906-346	For cleaning slightly dirtied or sensitive floors.	1	2
Disk brush, black (hard)	6.906-491	For cleaning heavily dirtied floors.	1	2
Driver plate	6.906-493	For intake of pads.	1	2
Disc pad, red (medium)	6.369-791	For cleaning slightly dirtied floors.	5	2
Disc pad, green (hard)	6.369-790	For cleaning heavily dirtied floors.	5	2
Disc pad, black (very hard)	6.369-789	For cleaning heavily dirtied floors.	5	2
Rubber lip, grey	6.273-214	Standard	20	2
Rubber lip, oil-resistant	6.273-208	oil-resistant	20	2
Squeegee tool, straight	4.777-049	Standard	1	1
Squeegee tool, bent	4.777-056	Standard	1	1
Side skirt for floor working head	5.394-640	Standard	1	2
Side skirt for floor working head	5.394-754	extra tough	1	2

Attachment sets

Attachment set for spray suction	2.640-186	Simplifies cleaning of inaccessible areas
Attachment set for recycling operations	2.640-201	Increases the running time without having to tank up.
Attachment set: overall lamp	2.640-108	
Attachment set: working lamp	2.640-109	
Attachment set: backrest	2.640-681	

Specifications

		Saber Glide 30 SP	Saber Glide 30
Power			
Nominal voltage	V	24	
Battery capacity	Ah (5h)	240	
Average power consumption	W	2100	
Drive motor output (rated output)	W	600	
Suction engine output	W	800	
Brush engine output	W	2x 600	
Vacuuming			
Cleaning power, air quantity	l/s (gpm)	28 (443)	
Cleaning power, negative pressure	kPa (psi)	14 (2)	
Cleaning brushes			
Working width	mm (in)	750 (29,5)	
Brush diameter	mm (in)	110 (4,3)	400 (15,7)
Brush speed	1/min	1200	160
Dimensions and weights			
Drive speed (max.)	km/h (mph)	6 (3,7)	
Climbing capability (max.)	%	10	
Theoretical surface cleaning performance	m ² /h (ft ² /h)	3000 (32200)	3600 (38750)
Fresh/dirty water reservoir volume	l (gal)	140/140 (37/37)	
Length	mm (in)	1550 (61)	
Width	mm (in)	870 (34,2)	
Height	mm (in)	1340 (52,8)	
Weight (with/ without battery)	kg (lbs)	550/230 (1212/501)	
Noise emission			
Sound pressure level (EN 60704-1)	dB(A)	70	
Machine vibrations			
Vibration total value (ISO 5349)			
Arms, steering wheel	m/s ²	0,1	
Feet, pedal	m/s ²	0,1	
Seating	m/s ²	0,1	

Charger

Safety instructions

Please read and comply with these instructions prior to the initial operation of your charger. Please follow the instructions of the battery manufacturer.

⚠ Danger

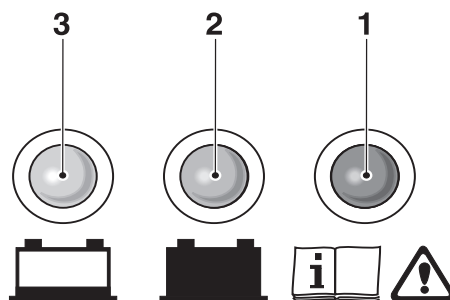
- Keep children away from batteries and charger.
- Do not change the charger plug.
- Use the charger only with the recommended batteries. If you connect wrong batteries, the batteries may get overheated, boiled and can explode.
- The charger may only be used in the assembly position indicated by the factory.

Proper use

Use this charger only as directed in these operating instructions.

- The charger should only be used for charging lead-operated batteries that are in perfect condition.
- The charger may only be used for maintenance-free lead batteries with a voltage of 24 Volt.
- The charger may only be used if the power supply has the following fuses: Safety fuse with at least 10 A gL or automatic cut-out of 10 A (B or C property).

Indicator lamps



- 1 red LED lights up = Problem with charger/ battery; inform Customer Service
- 2 green LED lights up = battery is full
- 3 yellow LED lights up = battery is being charged

Start up

⚠ Danger

Risk of explosion!

- Do not operate the batteries in the open, on traffic routes, in explosion-hazard rooms or in rooms with power-conductible dust.
- The battery charging process can give rise to explosive substances. Do not smoke in the vicinity of batteries and charger. Avoid formation of flames and sparks.
- Do not block the air vents of the appliance while charging the batteries. Always keep

the hood of the cleaning machine open during the charging process.

- ➔ Connect the mains plug of the charger to a grounded socket of 230 V mains supply. The charging process starts automatically.

Maintenance

The charger is maintenance-free. However, as some parts are prone to wear and tear, we recommend that you get the charger checked regularly by a technician.

The appliance may only be opened and repaired by an electronic-technician. Please contact your Customer Service agent.

Specifications

Mains voltage	120 V, 60 Hz
Output voltage	24 V
Output current	max. 36 A
Charging feature	IULa with retention phase
Ambient temperature	0 -40 °C (32-104 °F)
Air humidity, non-condensing	0-90%
Weight	5.5 kg (12,2 lbs)
Type of protection	IP 20
Protective class	I
Dimensions (h x b x d)	85x219x308 mm (3,4x8,6x12,1 in)

Maintenance procedures every 100 operating hours

- 1 Check battery terminals for oxidation
- 2 Check battery connections
- 3 Check current-carrying cables and contacts for damage and oxidation
- 4 Check cable connections on the electronic control circuits
- 5 Check acid level in the battery (only for low-maintenance batteries)
- 6 Measure the voltage of the battery cells when the suction motor is running (voltage difference max 0.05 V)
- 7 Check driving operation: forwards, backwards
- 8 Check action of the parking brake on the drive motor
- 9 Check function of the brush head: lower, raise
- 10 Check function of the brushes and check for wear
- 11 Check scrubbing pattern
- 12 Check scraping strips on the cleaning head
- 13 Check setting of the brush contact pressure
- 14 Check traction belt of the brushes for tension and wear
- 15 Check rubber strips for wear and adjustment
- 16 Check suction hose for leaks
- 17 Check water hoses for leaks
- 18 Check seal(s) on the tank lid(s)
- 19 Check function of the water metering valve
- 20 Clean fluff strainer
- 21 Check function of the suction motor/ suction beam (check after-running time)
- 22 Check and clean water filter (recycling option)
- 23 Check and clean fresh water filter
- 24 Check fresh water/recycling water change-over valve (optional)
- 25 Check proper functioning of seat contact switch
 - Key-operated switch to position "1"
 - Select direction of movement
 - The seat must remain free
 - Press down the drive pedal slightlyRelease the drive pedal immediately if the unit moves. Shut down the unit, call customer service
- 26 Check fuse F5 "Emergency Stop mode"

Maintenance work every 500 operating hours

- 1 Check carbon brushes and brush drive for wear, change carbon brushes if necessary

CONSIGNES DE SÉCURITÉ IMPORTANTES

Lire toutes les instructions de service avant d'utiliser l'appareil.

⚠ AVERTISSEMENT

Afin de réduire les risques d'incendie, d'électrocution et de blessures, prendre les précautions suivantes :

- 1 Ne pas laisser l'appareil sans surveillance lorsqu'il est branché. Débrancher l'appareil lorsqu'il n'est pas utilisé et avant de procéder à l'entretien.
- 2 Utiliser l'appareil exclusivement en intérieur pour réduire les risques d'électrocution.
- 3 Cet appareil n'est pas un jouet. Ne jamais le laisser sans surveillance lorsqu'il est utilisé à proximité d'enfants.
- 4 Respecter impérativement les consignes d'utilisation de ce manuel. Utiliser uniquement les accessoires recommandés par le fabricant.
- 5 Ne pas mettre l'appareil en service en cas d'endommagement du cordon ou de la prise. Si l'appareil ne fonctionne pas correctement, s'il est tombé, s'il a été endommagé, s'il est resté à l'extérieur ou est tombé dans l'eau, le retourner à un centre de service.
- 6 Ne pas tirer ou transporter l'appareil par le cordon électrique ou se servir de ce dernier comme d'une poignée. Veiller à ne pas coincer le cordon dans une porte et éviter de le tirer sur des bords ou des coins tranchants. Ne pas rouler sur le cordon électrique. Tenir le cordon à l'écart des surfaces chaudes.
- 7 Ne pas tirer sur le cordon électrique pour débrancher l'appareil. Tirer au niveau de la fiche pour déconnecter l'appareil du secteur.
- 8 Ne pas manipuler l'appareil ou la fiche avec les mains mouillées.
- 9 Ne rien introduire dans les orifices. Ne pas utiliser l'appareil si l'un des orifices est obstrué. Protéger les orifices de la poussière, des peluches, des cheveux et autres matières susceptibles de réduire le débit d'air.
- 10 Veiller à ne pas approcher les cheveux, vêtements larges, doigts ou toute autre partie du corps des orifices et composants mobiles de l'appareil.
- 11 Désactiver toutes les commandes avant de débrancher l'appareil.
- 12 Faire particulièrement attention lors du nettoyage d'escaliers.
- 13 Ne pas aspirer de liquides inflammables ou combustibles, tels que de l'essence avec l'appareil. Ne pas utiliser ce dernier dans des zones susceptibles de contenir de tels produits.
- 14 Brancher uniquement sur une prise correctement reliée à la terre. Voir les instructions de mise à terre.

CONSERVER CES INSTRUCTIONS !

Instructions de mise à terre

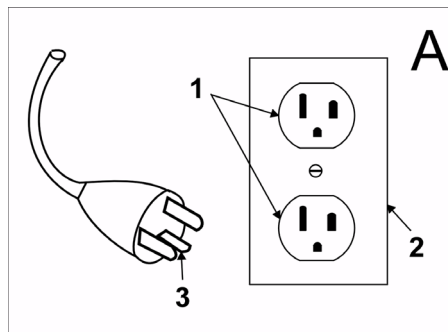
Ce produit doit être mis à la terre. En cas de mauvais fonctionnement ou de panne, la mise à la terre établit un chemin de moindre résistance pour le courant électrique afin de réduire le risque de décharge électrique. Ce produit est équipé d'un cordon doté d'un conducteur de mise à la terre de l'équipement et d'une prise de mise à la terre. La prise doit être branchée dans une prise appropriée qui est correctement installée et mise à la terre en conformité avec les codes et ordonnances locaux.

⚠ DANGER

Un conducteur de mise à la terre d'équipement incorrectement branché peut entraîner un risque d'électrocution. Vérifier avec un électricien ou un technicien d'entretien qualifié en cas de doute sur la mise à terre correcte de la prise. Ne pas modifier la fiche fournie avec le produit - si elle ne peut pas être branchée, faire installer une prise appropriée par un électricien qualifié. Ne pas utiliser n'importe quel type d'adaptateur avec ce produit.

Cet appareil a été conçu pour fonctionner à une tension nominale de 120 volts ; sa fiche de mise à la terre est similaire à celle illustrée à la figure A. S'assurer que la prise de courant utilisée est compatible avec la fiche secteur. Ne pas utiliser d'adaptateur pour brancher cet appareil.

BRANCHER UNIQUEMENT SUR UNE PRISE CORRECTEMENT RELIÉE À LA TERRE



- 1 Prise reliée à la terre
- 2 Socle de prise de courant
- 3 Fiche de mise à terre

QUALIFICATION DES UTILISATEURS

Seules les personnes formées et habilitées sont autorisées à utiliser les autolaveuses motorisées. Les utilisateurs de ces appareils doivent avoir les aptitudes visuelles et auditives ainsi que les capacités physiques et mentales requises pour utiliser cet équipement en toute sécurité.

FORMATION DES UTILISATEURS

Les personnes n'ayant pas été formés à l'utilisation des autolaveuses motorisées sont autorisées à se servir de ce type d'appareil uniquement dans le cadre de formations, et ce sous la surveillance d'un

formateur. En outre, les formations doivent être effectuées dans des zones exemptes de tout obstacle, d'autres véhicules et de piétons.

Le programme de formation doit comprendre l'apprentissage du règlement et des conditions d'utilisation propres au site dans lequel les utilisateurs feront usage de l'autolaveuse ainsi qu'une initiation à l'emploi du modèle particulier d'autolaveuse qui sera utilisé. Le programme de formation sera proposé à tous les nouveaux utilisateurs, quelle que soit leur expérience antérieure.

Au cours de la formation, le stagiaire sera informé des points suivants :

- A Sa responsabilité principale est d'utiliser l'autolaveuse motorisée en toute sécurité, en respectant les instructions prescrites dans le cadre du programme de formation.
- B L'utilisation incorrecte d'une autolaveuse motorisée et le non-respect des mesures de sécurité peuvent provoquer : une mise en danger de l'utilisateur ou de tiers (blessures graves voire mortelles) ; l'endommagement de l'autolaveuse ou d'autres dégâts matériels.

Le programme de formation portera essentiellement sur l'utilisation correcte et en toute sécurité de l'appareil afin d'éviter toute blessure de l'utilisateur ou d'un tiers et de prévenir les dégâts matériels. Elle abordera en outre les aspects suivants :

A Caractéristiques principales de l'autolaveuse ou des autolaveuses motorisées que le stagiaire utilisera :

- 1 caractéristiques de l'autolaveuse ou des autolaveuses motorisées, y compris les différences entre les autolaveuses motorisées employées sur le lieu de travail ;
- 2 similitudes et différences avec les automobiles ;
- 3 signification des données de plaque signalétique, des mises en garde et des instructions apposées sur l'autolaveuse motorisée ;
- 4 consignes d'utilisation et mises en garde du manuel d'utilisation de l'autolaveuse motorisée et instructions relatives aux contrôles et opérations d'entretien incombant à l'utilisateur ;
- 5 type de force motrice et ses caractéristiques ;
- 6 méthode de conduite ;
- 7 méthode de freinage et ses caractéristiques ;
- 8 visibilité avant et arrière ;
- 9 caractéristiques de stabilité avec et sans chargement ainsi qu'avec et sans accessoires ;
- 10 emplacement des commandes, fonctions, instructions d'utilisation, identification des symboles ;
- 11 chargement de la batterie ;
- 12 carters et dispositifs de protection pour le type correspondant d'autolaveuse

motorisée ;

13 autres caractéristiques du modèle particulier d'autolaveuse motorisée.

B Environnement d'utilisation et son influence sur le fonctionnement de l'autolaveuse motorisée :

- 1 nature et état du sol ou du terrain, y compris les conditions temporaires ;
- 2 rampes et pentes ;
- 3 dispositif de chargement de la batterie ;
- 4 allées étroites, portes, câbles aériens, tuyauterie et autres zones difficiles d'accès ;
- 5 zones dans lesquelles il est possible d'utiliser l'autolaveuse motorisée à proximité d'autres machines industrielles, véhicules ou piétons ;
- 6 utilisation et capacité des élévateurs ;
- 7 utilisation à proximité d'un bord de quai ou d'un terrain viabilisé ;
- 8 d'autres conditions d'utilisation et risques peuvent se présenter.

C Utilisation de l'autolaveuse motorisée, notamment :

- 1 contrôle minutieux avant la prise de poste et méthode appropriée pour la mise hors service d'une autolaveuse motorisée nécessitant des réparations ;
- 2 déplacement de l'appareil, virages ;
- 3 procédures relatives au stationnement et à l'arrêt ;
- 4 autres conditions d'utilisation particulières pour l'application spécifique.

D Règles de sécurité et pratiques relatives à l'utilisation, notamment :

- 1 dispositions relatives aux normes décrites dans la section « Règles de sécurité et pratiques relatives à l'utilisation » ;
- 2 autres règles, réglementations ou pratiques précisées par l'employeur pour l'endroit où l'autolaveuse motorisée sera utilisée.

E Exercices pratiques d'utilisation, notamment :

- 1 si possible, une utilisation pratique des autolaveuses motorisées doit être effectuée dans une zone éloignée du personnel et de toute autre activité exercée sur le lieu de travail ;
- 2 cet exercice pratique sera réalisé sous la surveillance du formateur ;
- 3 il consistera en l'utilisation concrète de l'appareil ou en des simulations de toutes les tâches telles que les manœuvres, le déplacement, l'arrêt, le démarrage et autres commandes réalisées dans des conditions similaires à celles qui seront rencontrées lors de l'utilisation de l'autolaveuse motorisée.

TESTS, FORMATION DE RE-CLASSEMENT ET APPLICATION

- A Au cours de la formation, des tests pratiques et tests écrits et/ou oraux seront proposés par l'employeur pour évaluer les compétences et les connaissances du stagiaire et s'assurer qu'elles répon-

dent aux exigences des normes. Les employeurs pourront déléguer ces tests à d'autres membres du personnel. Cependant ils en seront toujours responsables. Des archives pertinentes seront tenues.

- B Les utilisateurs devront suivre de nouvelles formations en cas d'introduction de nouveaux équipements ou de modifications des équipements existants, en cas de changement des conditions d'utilisation ou si leurs performances ne se révèlent pas satisfaisantes.
- C L'utilisateur est tenu pour responsable du respect des précautions de sécurité lors de l'utilisation de l'autolaveuse motorisée, conformément aux exigences des normes.

REMARQUE : des informations sur les formations des utilisateurs sont disponibles auprès de sources variées, comme les fabricants d'autolaveuses motorisées, les organismes administratifs chargés de la sécurité des employés, les organisations professionnelles d'utilisateurs de machines industrielles, des organisations publiques et privées, ainsi que des spécialistes en matière de sécurité.

REGLES DE SECURITE ET PRATIQUES RELATIVES A L'UTILISATION

Responsabilité de l'utilisateur

L'utilisateur est responsable de l'utilisation en toute sécurité de l'appareil.

L'utilisateur devra mettre en œuvre des habitudes de travail fiables et être conscient des facteurs pouvant représenter des risques afin de prévenir toute mise en danger de sa propre personne, des tiers, de l'autolaveuse motorisée et de tout autre équipement.

Avant d'utiliser l'appareil, l'utilisateur devra avoir acquis une connaissance approfondie des fonctions et du fonctionnement de toutes les commandes et de tous les instruments.

Avant d'utiliser l'appareil, l'utilisateur devra avoir lu et s'être familiarisé avec le manuel d'utilisation de l'appareil en question. Il devra par ailleurs se conformer aux règles de sécurité et pratiques décrites dans les paragraphes suivants.

Avant d'utiliser quelque appareil que ce soit, l'utilisateur doit être conscient des éventuelles conditions d'utilisation inhabituelles pouvant nécessiter des précautions de sécurité supplémentaires ou la mise en œuvre d'instructions d'utilisation particulières.

Généralités

Avant d'utiliser l'autolaveuse motorisée :

- A se mettre en position de service ;
- B régler les commandes de direction en position neutre ;
- C activer le frein ;
- D mettre le commutateur sur ON.

Ne pas démarrer ou utiliser l'appareil, ni aucune de ses fonctions ou accessoires, à partir d'un autre endroit que celui réservé à l'utilisateur.

Garder les mains et les pieds à l'intérieur de l'espace réservé à l'utilisateur ou, le cas échéant, dans le logement de l'appareil prévu à cet effet.

Apprécier les limites de l'appareil et utiliser ce dernier en respectant les règles de sécurité de manière à ne pas blesser le personnel. Toujours protéger les piétons.

- A Ne pas diriger l'autolaveuse motorisée vers une personne se tenant devant un objet.
- B S'assurer qu'aucun individu ne se trouve dans la zone située à l'arrière de l'appareil avant de procéder à des manœuvres de changement de direction.
- C Etre particulièrement attentif dans les croisements, à l'approche de portes et à tout autre endroit où des piétons risquent d'apparaître sur le parcours de l'autolaveuse motorisée.

Ne jamais autoriser des passagers sur les autolaveuses motorisées sauf lorsqu'un emplacement sécurisé a été prévu par le fabricant à cet effet.

Une autolaveuse motorisée est sous la surveillance de l'utilisateur lorsque ce dernier se trouve à moins de 7,6 mètres et que l'appareil ne quitte pas son champ de vision. Une autolaveuse motorisée est considérée comme abandonnée lorsque l'utilisateur se trouve à plus de 7,6 mètres, même si l'appareil est toujours dans son champ de vision ou lorsqu'il quitte son poste et que l'appareil n'est plus dans son champ de vision.

Avant de quitter le poste de l'utilisateur :

- A arrêter l'appareil ;
- B régler les commandes de direction en position neutre ;
- C actionner le frein à main ;
- D éteindre le moteur ou arrêter toutes les commandes ;
- E si l'appareil doit stationner sur une pente, caler les roues.

Conserver une distance de sécurité avec les bords des rampes, des plates-formes et de toutes les autres surfaces de travail du même type.

Lors du chargement et du déchargement des autolaveuses motorisées dans des camions ou remorques, les freins de ces derniers doivent être actionnés. En outre, installer des cales de roue ou tout autre dispositif de blocage mécanique similaire afin de prévenir les déplacements involontaires des camions ou des remorques.

Lors du chargement et du déchargement d'autolaveuses motorisées dans des semi-remorques non tractées, des supports peuvent s'avérer nécessaires pour éviter tout renversement ou basculement sur les côtés.

Faire particulièrement attention à ne pas entrer en contact avec des installations aériennes (dispositifs d'éclairage, câbles,

tuyaux, extincteurs automatiques, etc.) Signaler tout incident affectant des membres du personnel, des bâtiments ou du matériel au chef d'équipe ou conformément aux instructions reçues.

Ne pas ajouter d'accessoires à l'appareil ni le modifier de quelque manière que ce soit. Ne pas stationner à un endroit où l'appareil risque d'entraver les issues de secours, les cages d'escaliers ou les équipements de lutte contre l'incendie.

Conduite

Respecter le code de la route, y compris les limites de vitesse des chantiers. Dans des conditions de circulation normales, serrer à droite. Maintenir une distance de sécurité avec le véhicule qui précède, en fonction de la vitesse. Garder le contrôle de l'appareil en toutes circonstances.

Céder la priorité aux piétons ainsi qu'aux véhicules d'urgence comme les ambulances et les camions de pompiers.

Ne pas dépasser de véhicule circulant dans la même direction au niveau des croisements, des angles morts ou tout autre endroit dangereux.

Ralentir et actionner le ou les avertisseur(s) sonore(s) aux croisements ou chaque fois que la visibilité est limitée.

Traverser les voies ferrées à angle droit lorsque c'est possible. Ne pas garer l'appareil à moins de 1,8 m de la voie ferrée ou du rail le plus proche.

Monter et descendre les côtes lentement et avec prudence. Si possible, éviter de tourner et faire particulièrement attention en côte et sur les rampes où il faut normalement se déplacer en ligne droite.

Veiller à conserver une vue bien dégagée du trajet à emprunter et être attentif à la circulation des autres véhicules, aux déplacements des membres du personnel, ainsi qu'aux espaces de dégagement.

Quelles que soient les conditions de circulation, conserver une vitesse permettant d'arrêter l'appareil en toute sécurité.

Lors du démarrage et de l'arrêt, ainsi que dans les virages et lors des changements de direction, effectuer les manœuvres sans à-coups afin de ne pas renverser le chargement et/ou l'autolaveuse motorisée.

Ne jamais adopter de conduite dangereuse (cascades, acrobaties etc.)

Ralentir sur les sols mouillés et glissants.

Avant de déplacer l'appareil sur un pont de chargement ou un pont de liaison, s'assurer que celui-ci est correctement sécurisé.

Avancer prudemment et lentement sur le pont de chargement ou pont de liaison. Ne jamais dépasser la charge maximale autorisée.

Ne jamais conduire l'autolaveuse motorisée sur un élévateur, sauf autorisation expresse préalable. Dans ce cas, approcher lentement de l'élévateur et entrer tout droit lorsque celui-ci est arrêté à niveau. Ensuite, placer les commandes de l'appareil en position neutre, couper le contact et serrer le frein de stationnement. Il est préférable que les membres du personnel éventuellement

présents dans l'ascenseur en sortent avant l'entrée ou la sortie de l'autolaveuse motorisée.

Dans les virages, ralentir et adopter une vitesse de sécurité adaptée à l'environnement d'utilisation. Les virages doivent être abordés sans à-coups. Sauf lors de manœuvres à vitesse très réduite, tourner le volant de façon régulière et sans à-coups.

L'utilisation d'une autolaveuse motorisée nécessite des mesures de sécurité particulières, décrites ci-dessous.

A L'utilisateur doit absolument ralentir suffisamment avant de procéder à des virages sous peine de renverser l'autolaveuse motorisée. Les phénomènes suivants indiquent que la vitesse d'un véhicule est trop élevée dans les virages :

- 1 dérapages ;
- 2 basculement du véhicule ;
- 3 soulèvement des roues ;
- 4 nécessité de se retenir fermement au volant afin de ne pas glisser du siège.

B Le risque de renversement latéral est accru dans les conditions suivantes (individuelles ou combinées) :

- 1 conduite sur une surface non plane ;
- 2 conduite à une vitesse trop élevée.

C Le risque de basculement vers l'avant est accru dans les conditions suivantes (individuelles ou combinées) :

- 1 Si l'autolaveuse motorisée tombe d'un pont de chargement ou d'une rampe. Dans ce cas, l'utilisateur ne doit pas quitter l'autolaveuse. Il doit se cramponner fermement et s'éloigner du point d'impact.
- 2 Lorsque l'environnement constitue un danger important ou en cas de conditions d'utilisation inhabituelles. L'utilisateur peut alors recourir à des mesures de sécurité différentes ou supplémentaires et respecter des instructions d'utilisation adaptées aux conditions particulières.

Entretien de l'appareil par l'utilisateur

Au début de chaque prise de poste et avant chaque utilisation de l'autolaveuse motorisée, vérifier l'état de l'appareil, en inspectant tout particulièrement les éléments suivants :

- A état des pneus
- B sur les pneumatiques, vérifier la pression de gonflage
- C fonctionnement de l'avertisseur et autres dispositifs de sécurité
- D dispositifs d'éclairage
- E batterie
- F commandes
- G systèmes d'élévation et de basculement
- H chaînes et câbles
- I interrupteurs de fin de course
- J freins
- K mécanisme de direction
- L autres éléments ou dispositifs supplémentaires, conformément aux instruc-

tions de l'exploitant et/ou du fabricant. Si le véhicule a besoin d'être réparé ou présente un risque quelconque, l'utilisateur doit le signaler immédiatement à son responsable et ne pas utiliser l'appareil avant résolution du problème.

Si, en cours d'utilisation, le véhicule s'avère dangereux de quelque façon que ce soit, signaler immédiatement le problème au responsable concerné et cesser l'utilisation de l'appareil avant résolution du problème.

Ne pas effectuer de réparations ou réglages à moins d'y être expressément autorisé.

Ne pas éclairer les batteries à l'aide d'une flamme vive pour vérifier le niveau d'électrolyte.

PROCEDURES D'ENTRETIEN ET DE REMISE EN ETAT

L'utilisation de l'appareil peut devenir dangereuse si l'entretien est négligé ou si la remise en état ou les réglages nécessaires ne sont pas effectués en conformité avec les recommandations du fabricant. Par conséquent, il est nécessaire de prévoir des ateliers de maintenance, à l'intérieur ou l'extérieur des bâtiments, avec du personnel dûment formé, ainsi que d'établir des procédures détaillées.

Il est possible d'obtenir des guides des pièces détachées ainsi que des manuels d'entretien auprès du fabricant de l'autolaveuse. Dans certains cas rares, non traités par ces manuels de référence, consulter directement le fabricant de l'autolaveuse motorisée.

La maintenance et l'inspection de l'appareil doivent être effectuées conformément aux procédures suivantes :

- A Les intervalles prescrits pour la maintenance, la lubrification et le contrôle du système doivent être respectés; se reporter aux instructions du fabricant.
- B La maintenance, les réparations, les réglages et l'inspection de l'appareil doivent être confiés exclusivement à des personnes formées et habilitées et effectués conformément aux recommandations du fabricant.

Soulever l'autolaveuse motorisée de manière stable et sécurisée lorsque cela est nécessaire pour une réparation ou un contrôle. Le démontage de composants, tels que les masses d'équilibrage ou les montants, modifie le centre de gravité et risque de créer une instabilité de l'appareil.

Avant de procéder au contrôle ou à la réparation d'une autolaveuse motorisée :

- A soulever les roues motrices du sol et débrancher la batterie. Utiliser des cales de roues ou autre procédé mécanique conçu pour assurer l'immobilisation de véhicules ;
- B bloquer le châssis avant toute intervention sur celui-ci ;
- C débrancher la batterie avant d'intervenir sur le système électrique ;
- D brancher le connecteur du chargeur exclusivement sur le connecteur de la bat-

terie et jamais sur celui de l'appareil. Le contrôle du fonctionnement de l'autolaveuse motorisée doit être effectué dans une zone autorisée et sécurisée.

A Avant d'utiliser l'autolaveuse motorisée :

- 1 se mettre en position de service ;
- 2 activer le frein ;
- 3 régler les commandes de direction en position neutre ;
- 4 mettre le commutateur sur ON ;
- 5 contrôler le fonctionnement des systèmes d'élévation et de basculement, la direction, l'avertisseur sonore et les freins.

B Avant de quitter l'autolaveuse motorisée :

- 1 arrêter l'appareil ;
- 2 régler les commandes de direction en position neutre ;
- 3 actionner le frein à main ;
- 4 couper le moteur ou mettre l'appareil hors tension ;
- 5 arrêter le circuit de commande ;
- 6 si l'appareil doit stationner sur une pente, caler les roues.

Éviter les risques d'incendie et s'assurer que les locaux sont dotés des équipements nécessaires pour la lutte contre l'incendie.

Ne jamais éclairer les batteries à l'aide d'une flamme vive pour vérifier le niveau des liquides, en particulier celui de l'électrolyte. Ne jamais utiliser de bacs ouverts contenant du carburant ou des produits de nettoyage inflammables pour nettoyer les composants de l'autolaveuse motorisée. Ventiler suffisamment la zone de travail, aérer pour évacuer les gaz d'échappement et veiller à ce que l'atelier soit toujours propre et sec.

Inspecter régulièrement les freins, la direction, les mécanismes de commande et de direction, les avertisseurs, les feux, les régulateurs, ainsi que les dispositifs de protection et de sécurité et les maintenir en parfait état de marche pour qu'ils puissent être utilisés sans danger.

NORMES DE SECURITE INCENDIE

Tout appareil dont le fonctionnement représente un risque doit être mis hors service. La batterie doit être débranchée avant toute réparation sur le système électrique d'une autolaveuse.

Température de service : si la température d'un composant de l'autolaveuse motorisée dépasse la température de service normale et, par conséquent, devient source de danger, le véhicule doit être mis hors service et ne pas être réutilisé tant que la source de surchauffe n'a pas été réparée.

Prévention des incendies : L'autolaveuse motorisée doit être tenue propre et dans la mesure du possible, protégée des peluches, des déversements d'huile et de la graisse. L'utilisation de produits non inflammables est recommandée pour le nettoyage de l'autolaveuse motorisée. Les liquides inflammables dont le point d'ignition est

égal ou supérieur à 37,8 °C (100 °F) ne sont pas autorisés. Prendre les mesures appropriées concernant la toxicité, l'aération, et les risques d'incendie selon le produit ou solvant utilisé.

Visibilité de la plaque signalétique : Les données techniques figurant sur la plaque signalétique de l'appareil ne doivent pas être recouvertes de peinture et les informations d'identification doivent rester visibles.

Remplacement et chargement des batteries :

Cette section concerne les batteries utilisées sur des véhicules électriques. Les deux types de batteries généralement utilisées sont les batteries au plomb et les batteries au ferro-nickel. Elles contiennent des composants chimiques corrosifs (acide ou alcalin) et représentent donc un risque chimique. Lors du chargement, les batteries dégagent de l'hydrogène et de l'oxygène qui, dans certaines conditions, peuvent se combiner pour former un mélange explosif. Le chargement des batteries doit être effectué dans des endroits désignés à cet effet, où aucune matière combustible ne doit être stockée. Des équipements doivent être prévus pour :

- A rincer les déversements d'électrolyte ;
- B lutter contre l'incendie ;
- C protéger le matériel de chargement des endommagements par des véhicules et
- D pour assurer une ventilation suffisante afin d'évacuer les fumées produites par les batteries à essence.

Lorsque des chargeurs embarqués sont utilisés, le chargement doit être effectué dans des endroits prévus à cet effet, en fonction des exigences électriques du chargeur et des équipements pour la lutte contre l'incendie.

Exception : Les produits de rinçage ne sont pas nécessaires si le chargement est effectué sans retirer la batterie du véhicule.

Lors de la manipulation de concentrations d'acide supérieures à 50 % (densité au-delà de 1 400), une douche oculaire est indispensable.

Un transporteur, un palan suspendu ou autre équipement de manutention doit être prévu pour la manipulation des batteries. Les appareils de levage à chaîne doivent être équipés de chaînes de levage. Lorsque des appareils de levage manuels sont utilisés, les batteries ouvertes doivent être recouvertes d'une feuille de contreplaqué ou autre matériau non conducteur afin d'éviter les courts-circuits de la chaîne de manœuvre au niveau des pontets de connexion ou des bornes. Un palonnier correctement isolé doit être utilisé avec les palans suspendus.

La capacité des batteries rechargées ou batteries neuves doit être égale ou supérieure à celle indiquée sur l'appareil. Installer les batteries rechargées correctement dans l'appareil.

Un vide-tourie ou un siphon devra être prévu dans les locaux où de l'acide en touries est utilisé. Lors de la dilution d'acide sulfuri-

que concentré pour obtenir de l'électrolyte, l'acide doit TOUJOURS être ajouté à l'eau et non l'inverse. Les membres du personnel procédant à l'entretien des batteries doivent porter des vêtements de protection, tels que des verres protecteurs, des manches longues et des gants.

Exception : Le démontage et le remplacement des batteries ne nécessitent pas l'utilisation de vêtements de protection.

Les installations électriques doivent être conformes au NFPA 70 (code national électrique américain) ainsi qu'aux règlements locaux.

Seules les personnes compétentes et habilitées sont autorisées à procéder au démontage et au chargement des batteries. L'autolaveuse motorisée doit être en position adéquate et les freins doivent être actionnés avant toute tentative de remplacement ou de chargement des batteries.

Lors du chargement des batteries, le capuchon d'évacuation doit rester en place de façon à éviter toute projection d'électrolyte. Prendre soin de vérifier que les capuchons d'évacuation fonctionnent. Ouvrir le couvercle de la batterie (ou du compartiment de batterie) afin d'évacuer chaleur et gaz.

Il est interdit de fumer dans la zone dédiée au chargement de la batterie.

Les mesures nécessaires doivent être prises pour éviter les flammes vives, les étincelles et les arcs électriques dans les zones de chargement des batteries.

Ne jamais poser des outils ou autres objets mécaniques sur des batteries ouvertes.

Cher client,



Lisez attentivement ce mode d'emploi avant la première utilisation de l'appareil et respectez les conseils y figurant. Conservez ce mode d'emploi pour une utilisation ultérieure ou un éventuel repreneur de votre matériel.

Table des matières

Consignes de sécurité	22
Fonction	22
Utilisation conforme	22
Protection de l'environnement, élimination	22
Éléments de commande	23
Avant la mise en service	24
Fonctionnement	25
Entretien et maintenance	28
Pannes	29
Accessoires	30
Données techniques	31
Chargeur variante package	31

Consignes de sécurité

Cette balayeuse doit être utilisée uniquement sur des surfaces qui présentent une pente maximale de 10%.

L'appareil peut être uniquement utilisé, lorsque le réservoir d'eau sale est pivoté vers l'avant et lorsque tous les couvercles sont fermés.

Dispositifs de sécurité

Les dispositifs de sécurité ont pour but de protéger l'utilisateur et ils ne doivent donc jamais être désactivés ni évités.

Fiche de batterie/Arrêt d'urgence en option

Pour une mise hors service immédiate de toutes les fonctions, débrancher la fiche de batterie.

Coupe-circuit

Le coupe-circuit arrête le moteur de traction avec un retard de 1,5 secondes, lorsque l'opérateur abandonne son siège pendant le fonctionnement.

Symboles

Les symboles suivants sont utilisés dans le mode d'emploi:

Danger

Signale un danger imminent. Le non-respect de cette consigne peut être source d'accidents mortels ou de blessures graves.

Avertissement

Signale une situation potentiellement dangereuse. Le non-respect de cette consigne peut entraîner des blessures légères ou des dégâts matériels.

Remarque

Signale des conseils d'utilisation et d'importantes informations.

Fonction

L'appareil est employé pour nettoyer ou pour polir des sols plans par voie humide.

- Il est facile de l'adapter à la tâche de nettoyage à accomplir en réglant la quantité d'eau, la pression appliquée par les brosses et la rotation des brosses, la quantité de détergent, ainsi que la vitesse de transport.
- Une largeur de travail de 750 mm (27.5 in) et une capacité des réservoirs d'eau propre et d'eau sale de respectivement 140 l (37 gal), permettent un nettoyage effectif en cas d'une durée élevée de fonctionnement.
- L'appareil est autotracté, le moteur de traction est alimenté par une batterie de trémie.
- Les batteries peuvent être rechargées au moyen d'un chargeur branché à une prise de 120V.
- Une batterie et un chargeur sont déjà intégrés dans l'équipement des appareils qui font l'objet d'un achat groupé.

Remarque

L'appareil peut être équipé de différents accessoires en fonction de l'application respective.

De plus amples détails figurent dans notre catalogue ou sur notre site Internet www.kaercher.com.

Utilisation conforme

L'utilisation de l'appareil doit être faite en conformité avec les consignes figurant dans les instructions de service.

- L'appareil doit uniquement être utilisé pour nettoyer des surfaces planes non sensibles à l'humidité ni au polissage.
- La plage de température pour l'utilisation est de +5°C à +40°C (41°F à 104°F).
- L'appareil n'est pas approprié pour nettoyer des sols gelés (par exemple dans des entrepôts frigorifiques)
- L'appareil doit uniquement être équipé d'accessoires et de pièces de rechange d'origine.
- L'appareil a été conçu pour le nettoyage de sols dans le domaine intérieur ou bien de surfaces couvertes d'un toit. Pour d'autres domaines d'application, il faut contrôler l'éventuelle nécessité d'utiliser d'autres brosses.
- L'appareil n'est pas destiné au nettoyage de voies publiques.
- L'appareil ne peut être utilisé sur des sols qui sont sensibles à la pression. Tenir compte de la sollicitation concentrée admissible du sol. La charge concentrée par l'appareil est indiquée dans les données techniques.
- L'appareil n'est pas approprié pour l'application dans des environnements à risque d'explosion.
- Ne pas aspirer avec l'appareil des gaz combustibles, acides ou solvants

non dilués.

Ces-ci sont essence, dilutif de couleurs ou fuel, qui peuvent former des mélanges explosifs en touillant avec l'air d'aspiration. Ne pas utiliser d'acétone, d'acides ou de solvants non dilués, du fait de leur effet corrosif sur les matériaux constituant l'appareil.

Protection de l'environnement, élimination

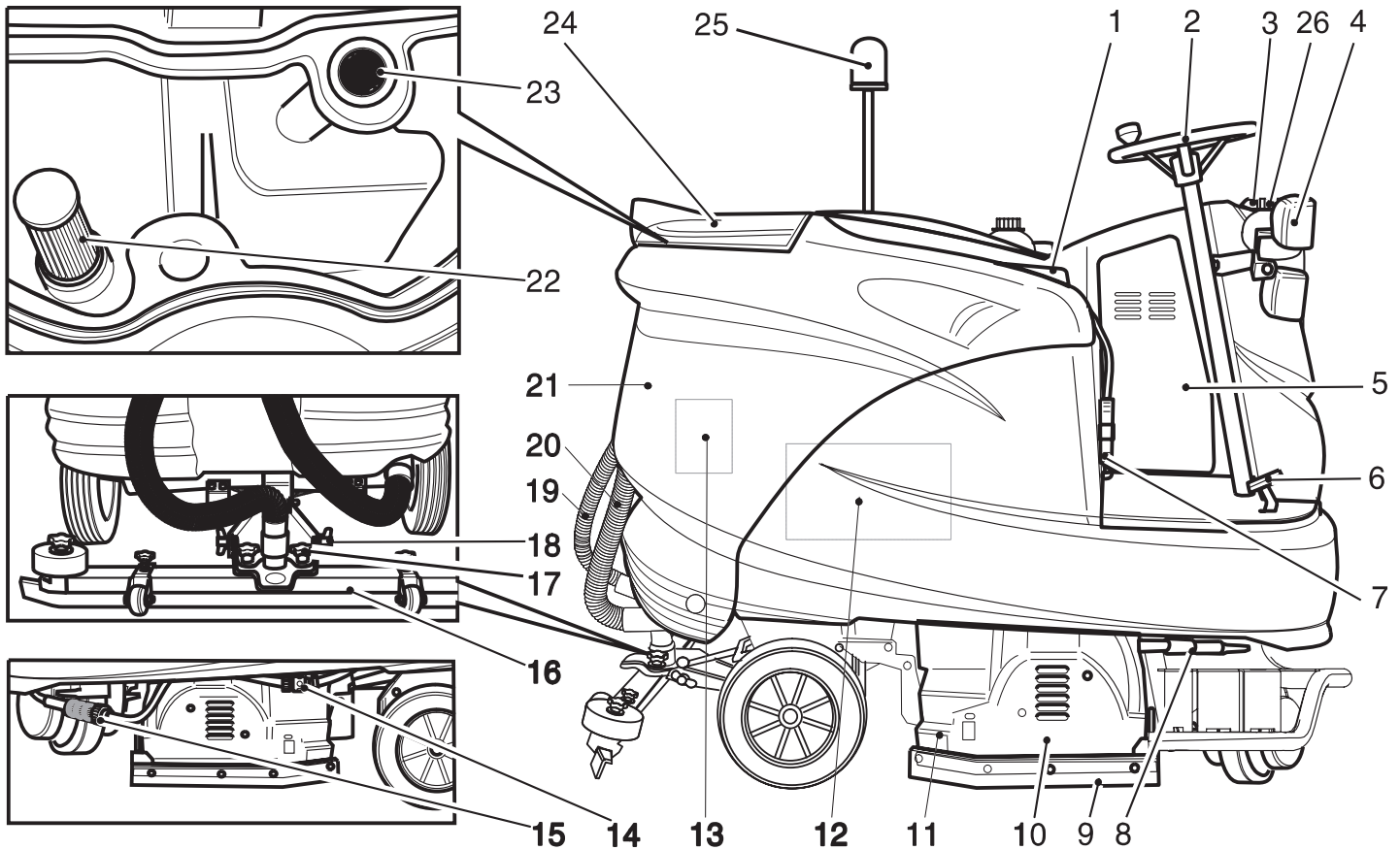


Les matériaux constitutifs de l'emballage sont recyclables. Ne pas jeter les emballages dans les ordures ménagères, mais les rendre à un système de recyclage.



Les appareils usés contiennent des matériaux précieux recyclables lesquels doivent être rendus à un système de recyclage. Des batteries, de l'huile et d'autres substances semblables ne doivent pas être tout simplement jetées. Pour cette raison, utiliser des systèmes adéquats de collecte pour éliminer les appareils usés.

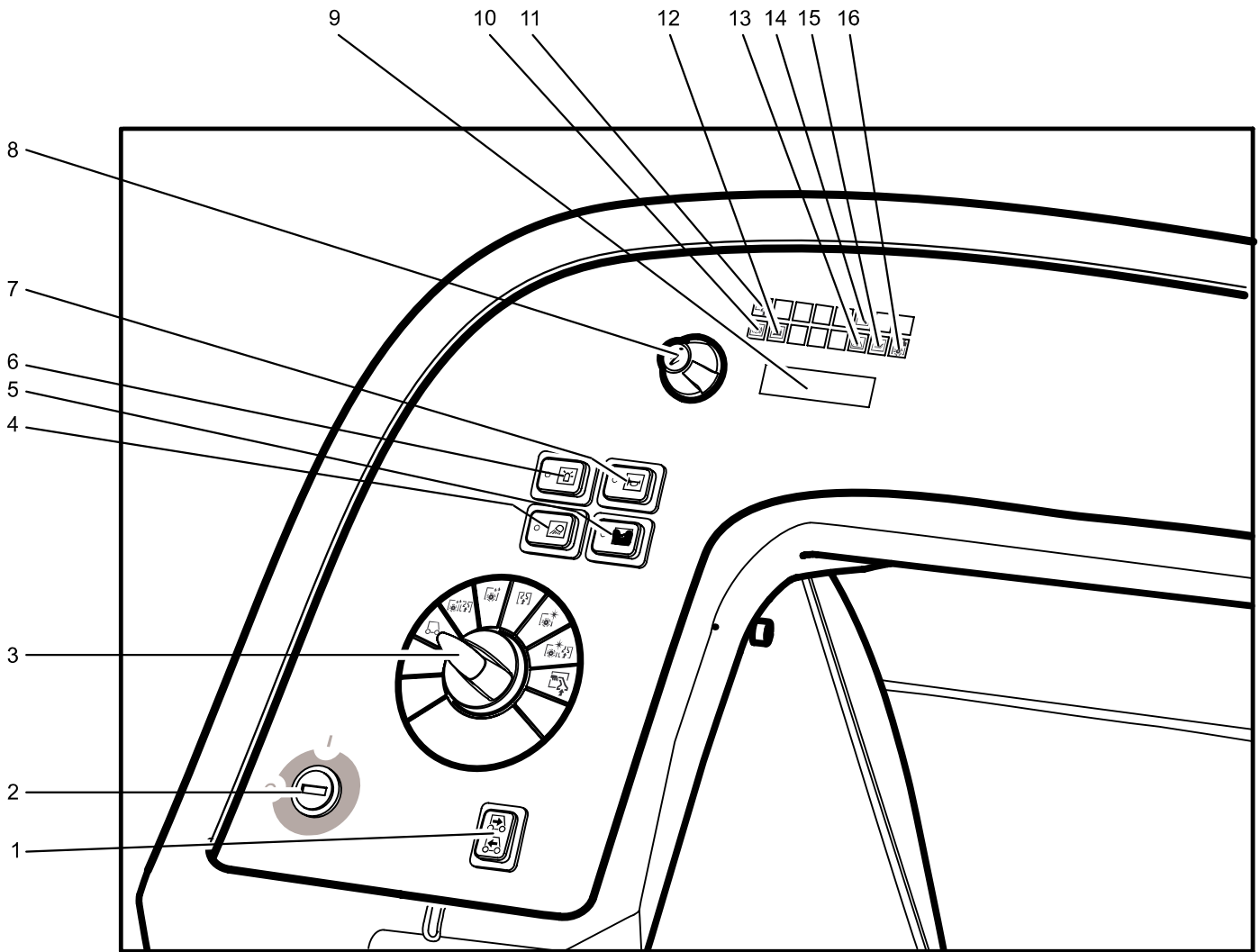
Éléments de commande



- 1 Siège (avec coupe-circuit)
- 2 Volant
- 3 Fermeture du réservoir d'eau propre
- 4 Lumière (en option)
- 5 Système électronique/commande
- 6 Pédale de marche
- 7 Fiche de batterie/Arrêt d'urgence en option
- 8 Commutation du fonctionnement recyclage/d'eau propre (en option)
- 9 Lèvre d'enlèvement
- 10 Tête de nettoyage
- 11 Réservoir de saleté grossière (uniquement SP)
- 12 Batterie
- 13 Turbine d'aspiration
- 14 Accouplement à boyaux pour évacuer l'eau propre
- 15 Filtre d'eau propre
- 16 Barre d'aspiration *
- 17 Écrous à croisillon pour fixer la barre d'aspiration
- 18 Ecrous-papillon pour incliner la barre d'aspiration
- 19 Flexible d'aspiration
- 20 Flexible de vidange pour eau sale
- 21 Réservoir d'eau sale
- 22 Filtre de recyclage (en option)
- 23 Crible à peluches
- 24 Couvercle du réservoir d'eau sale
- 25 Luminaire à la ronde (en option)
- 26 Bouteille de détergent de 2,5 l

* pas comprise dans l'étendue de livraison

Pupitre de commande



- 1 Interrupteur de direction de déplacement
- 2 Interrupteur à clé
- 3 Commutateur de programmes
- 4 Interrupteur de l'éclairage de travail (en option)
- 5 Interrupteur du dispositif de dosage de détergent
- 6 Interrupteur du luminaire à la ronde (en option)
- 7 Avertisseur sonore
- 8 Bouton Info
- 9 Ecran
- 10 Témoin de contrôle Frein d'arrêt automatique est actif
- 11 Témoin de contrôle Programme de nettoyage manuel actif
- 12 Témoin de contrôle du contrôle de la batterie
- 13 Témoin de contrôle Panne
- 14 Témoin de contrôle Service
- 15 Témoin de contrôle réservoir de l'eau sale plein
- 16 Témoin de contrôle Surcharge Brosse

Avant la mise en service

Batteries

Respecter impérativement ces consignes en cas de manipulation des batteries :

	Respecter les consignes situées sur la batterie, dans les instructions de service et dans le mode d'emploi du véhicule
	Porter des lunettes de protection
	Tenir les enfants à l'écart des acides et des batteries
	Risque d'explosion
	Toute flamme, matière incandescente, étincelle ou cigarette est interdite à proximité de la batterie.
	Risque de brûlure
	Premiers soins

	Attention
	Mise au rebut
	Ne pas mettre la batterie au rebut dans le vide-ordures

⚠ Danger

Risque d'explosion. Ne jamais déposer d'outils ou d'objets similaires sur les bornes et les barrettes de connexion de la batterie. Risque de blessure. Ne jamais mettre en contact des plaies avec le plomb. Prendre soin de toujours se laver les mains après avoir manipulé la batterie.

Montage et branchement de la batterie

- ➔ Pivoter le réservoir d'eau vers l'arrière.
- ➔ Poser la batterie dans la cuve.

⚠ Avertissement

Veiller à respecter les polarités appropriées.

- ➔ Brancher le câble de raccordement ci-joint aux bornes de batterie encore libres (+) et (-).
- ➔ Pivoter le réservoir d'eau vers l'avant.

⚠ Avertissement

Charger la batterie avant de mettre l'appareil en service.

Chargement de la batterie

Remarque

L'appareil dispose d'une protection anti-décharge complète, c'est-à-dire qu'il développe encore la puissance minimale autorisée de sorte que l'appareil puisse être uniquement déplacé et que les éventuels éclairage puissent être activés. Sur le pupitre de commande, l'affichage de l'état de la batterie apparaît alors en rouge.

→ Amener immédiatement l'appareil à la station de charge en évitant les pentes.

Remarque

En cas d'utilisation d'une autre batterie (ex. : d'un autre fabricant), le dispositif de protection anti-décharge complète doit être de nouveau réglé par le service après-vente Windsor et ce, pour chaque batterie.

⚠ Danger

Risque d'électrocution. Tenir compte du réseau de conduction de courant et de la protection par fusibles, cf. "Chargeur".

Utiliser le chargeur seulement dans des pièces sèches et suffisamment aérée !

Remarque

Le temps de charge s'élève en moyenne à environ 10 heures.

Les chargeurs recommandés (adaptables à toutes les batteries) disposent d'une réglage électronique et mettent fin automatiquement à la procédure de charge.

⚠ Danger

Risque d'explosion. Le chargement des batteries humides est seulement permis avec capot ouvert.

→ Vider le réservoir d'eau sale.

→ Pivoter le réservoir d'eau sale vers l'arrière.

→ Débrancher le connecteur de batterie et le raccorder au câble du chargeur.

→ Brancher le chargeur au réseau et le mettre en marche.

Après la procédure de charge

→ Mettre le chargeur hors tension et le débrancher du secteur.

→ Débrancher le câble de la batterie du câble du chargeur et le raccorder à l'appareil.

Batteries pour service à maintenance réduite (batteries humides)

→ Ajouter de l'eau distillée une heure avant la fin de la procédure de charge. Respecter le niveau d'acidité approprié. Les mentions correspondantes figurent sur la batterie. A la fin du processus de chargement, toutes les cellules doivent être en formation de gaz.

⚠ Danger

Risque de brûlure!

– Des fuites d'acide peuvent survenir lors du remplissage de la batterie déchargée.

– Porter impérativement des lunettes de protection lors de toute manipulation d'acide de batterie et respecter les consignes afin d'éviter les blessures et l'endommagement des vêtements.

– En cas de projection d'acide sur la peau ou les vêtements, rincer immédiatement et abondamment à l'eau.

⚠ Avertissement

Risque d'endommagement!

– Pour remplir la batterie, utiliser uniquement de l'eau distillée ou désalée (spécification VDE 0510).

– N'employer aucun additif (produit dit d'amélioration) sous peine d'annulation de toute garantie.

Dimensions maximales de la batterie

Longueur	Largeur	Hauteur
622 mm (24.4 in)	353 mm (13.8 in)	379 mm (14.9 in)

Se en cas doivent être utilisé des batteries humides, observe le suivant:

– Respecter les dimensions maximales de la batterie.

– Relever le siège pour recharger les batteries humides.

– Respecter impérativement les consignes du fabricant de batterie pour recharger une batterie humide.

Déchargement de la machine

Remarque

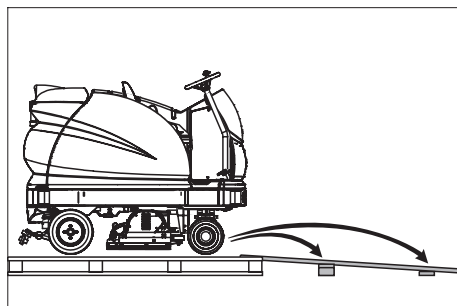
Pour une mise hors service immédiate de toutes les fonctions débrancher la fiche de batterie rouge.

→ Retirer le film plastique après avoir déchiré l'adhésif.

→ Retirer les sangles de fixation des points d'ancrage.

→ Quatre planches de fond identifiées de la palette sont vissées. Dévisser ces planches.

→ Poser les planches sur le bord de la palette. Orienter les planches de manière à ce qu'elles reposent en amont des roues de l'appareil. Fixer les planches à l'aide des vis.



→ Pousser les barre de soutien contenue dans l'emballage sous la rampe.

→ Retirer le billot servant au blocage des roues et le pousser sous la rampe.

→ Brancher la fiche de batterie.

→ Mettre l'interrupteur à clé sur "1".

→ Actionner le commutateur de direction et faire descendre doucement l'appareil sur la rampe.

→ Mettre l'interrupteur à clé sur "0".

Montage des brosses

Saber Glide 30

Les disques-brosses doivent être montées avant la mise en service (voir 'Travaux de maintenance').

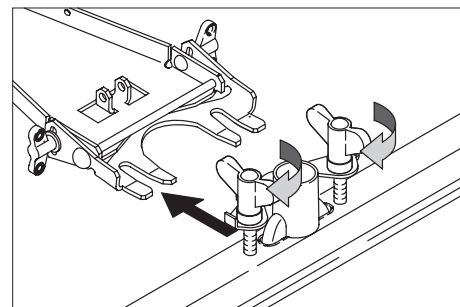
Saber Glide 30 SP

Les brosses sont montées.

Montage de la barre d'aspiration

→ Poser les barres d'aspiration dans la suspension de la barre d'aspiration que la tôle profilée se trouve au-dessous de la suspension.

→ Visser les écrous à croisillon.



→ Emmancher le flexible d'aspiration.

Fonctionnement

Remarque

Pour une mise hors service immédiate de toutes les fonctions débrancher la fiche de batterie rouge.

Pour se familiariser avec l'appareil, effectuer des essais de déplacement sur une place libre.

Contrôler le frein d'immobilisation

⚠ Danger

Risque d'accident. Avant toute mise en service, il convient de vérifier le fonctionnement du frein d'immobilisation sur une surface plane.

→ Régler la position du siège.

→ Mettre l'interrupteur à clé sur "1".

→ Choisir une direction de déplacement.

→ Appuyer légèrement sur la pédale d'accélérateur.

Le déverrouillage du frein doit être audible (le témoin de contrôle du frein d'immobilisation, situé sur la pupitre de commande, s'éteint). Sur une surface plane, l'appareil doit avancer légèrement. Lorsque la pédale est relâchée, le frein se déclenche de manière audible. Dans le cas contraire, mettre l'appareil hors service et contacter le service après-vente.

Freinage

⚠ Danger

Risque d'accident. Si l'appareil ne développe plus aucun effet de freinage, procéder comme suit :

→ Pour des raisons de sécurité, si l'appareil ne s'immobilise pas sur une rampe dont l'inclinaison est supérieur à 2 %

lorsque la pédale d'accélérateur est relâchée, n'appuyer sur la touche d'arrêt d'urgence que si le fonctionnement mécanique du frein d'immobilisation a préalablement été vérifié et déclaré opérationnel à chaque mise en service.

- Sur des plaines avec moins de 2%, débrancher en tous les cas la fiche de batterie.
- Lorsque l'appareil est à l'arrêt (sur une surface plane), le mettre hors service et contacter le service après-vente !
- De plus, respecter les consignes d'entretien relatives aux freins.

Déplacement

⚠ Danger

Risque de basculement en cas de pente trop forte.

- Dans le sens de la marche, ne pas rouler sur des pentes supérieures à 10%.

Risque de basculement en cas de conduite rapide dans les virages.

Chaussée glissante en cas de sol humide.

- Roulez lentement dans les virages.

Risque de basculement en cas de sol instable.

- N'utilisez la machine que sur des sols stabilisés.

Risque de basculement en cas de pente latérale trop importante.

- N'empruntez aucunes pentes supérieures à 10% dans le sens perpendiculaire au sens de la marche.

Remarque

Lorsque la tête de brosse dépasse à la côté droite, l'appareil est bien installé. Ce-ci permet un travail clair et prêt de la bord.

- S'asseoir et mettre l'interrupteur à clé sur "1".
- Régler le sens de circulation avec l'interrupteur de la sens de circulation à la pupitre de commande.
- Déterminer la vitesse de marche en actionnant la pédale de marche.
- Immobiliser la machine: Lâcher la pédale de marche.

Remarque

La sens de circulation peut être modifiée aussi pendant la circulation. En avançant et reculant peuvent être nettoyé aussi des endroits très sales.

Surcharge

En cas de surcharge, le moteur de traction est désactivé après une durée définie. Un message signalant un défaut s'affiche à l'écran.

En cas de surchauffe du système de commande, le module concerné est désactivé.

- Laisser refroidir l'appareil au moins 15 minutes.
- Mettre l'interrupteur à clé sur "0".
- Attendre quelques secondes.
- Mettre l'interrupteur à clé sur "1".

Remplissage de carburant

Produit détergent

⚠ Avertissement

Risque d'endommagement. Utiliser uniquement les détergents recommandés. Pour tout autre détergent, l'exploitant prend des risques plus élevés quant à la sécurité du travail et au risque d'accident.

Utiliser uniquement des détergents exempts de solvants, d'acide chlorhydrique et fluorhydrique.

Remarque

Ne jamais utiliser de détergents extrêmement moussants.

Eau propre

- Ouvrir le couvercle du réservoir d'eau propre.
- Remplir eau propre (60 °C (140°F) au maximum) jusqu'à 15 cm (6 in) au-dessus du limite supérieur du réservoir.
- Remplir détergent.
- Fermer le couvercle du réservoir d'eau propre.

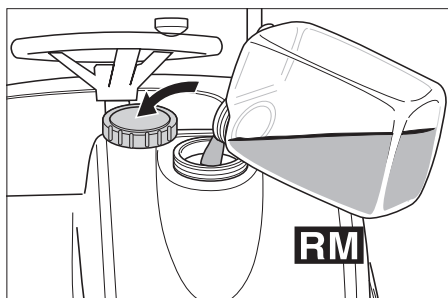
Remarque

Avant la première mise en service, remplir complètement le réservoir d'eau propre, pour purger la canalisation d'eau.

Travailler sans dispositif automatique de dosage de détergent

Au travaux de nettoyage dans l'équipement sanitaire (p.ex. hôpitaux, établissements de denrée alimentaire) et pour le nettoyage principal des sols très sales.

- Ouvrir la fermeture du réservoir d'eau propre.
- Remplir eau propre (maximale 60 °C (140°F)) jusqu'au limite inférieure du col de remplissage.
- Ajouter de détergent. Observer les consignes pour le dosage.



- Fermer la fermeture du réservoir d'eau propre.

Dispositif de dosage de détergent

À la tête de nettoyage, à l'eau propre est ajoutée par le dispositif de dosage le détergent.

⚠ Avertissement

Risque de endommagement du doseur. Ne pas mettre détergent dans le réservoir d'eau propre.

Remarque

Le dispositif de dosage permet d'ajouter au

maximum 3% de détergent.

- Poser la bouteille avec le détergent dans le support qui se trouve avant au réservoir d'eau propre.
- Dévisser le couvercle de la bouteille.
- Mettre le flexible d'aspiration du dispositif de dosage dans la bouteille. Faire attention, que le tamis du flexible d'aspiration est bien mis sur le fond de la bouteille.
- Fermer la bouteille avec le couvercle du doseur.

Le niveau de remplissage de la bouteille peut être vérifier par un regard vertical.

Si le niveau de remplissage du détergent s'approche au fond de la bouteille:

- Remplir ou changer la bouteille de détergent.

⚠ Avertissement

Lorsque le type de détergent doit être changé, le flexible d'aspiration doit être rincer avant complètement avec l'eau doux (pendant 60 secondes au débit maximal d'eau et 3% de dosage) pour éviter les réactions chimiques.

Remarque

Lorsque la bouteille de détergent est vidée complètement, le dispositif de dosage doit être en service pendant 60 secondes au débit maximal d'eau et au 3% de dosage pour remplir le flexible d'aspiration de nouveau complètement du détergent.

Remarque

En cas de remplissage ou changement de la bouteille de détergent, mettre le flexible d'aspiration du doseur dans le réservoir d'eau propre ouvert, afin que ne s'écoule pas de détergent sur le sol.

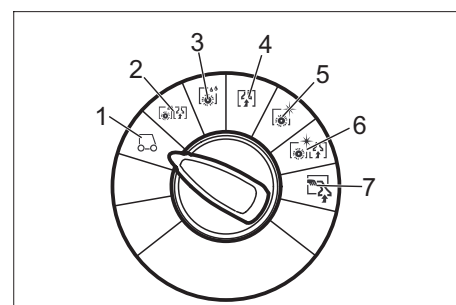
Remarque

En cas du réservoir d'eau propre vide, l'addition du détergent est arrêtée. La tête de nettoyage continue son travail sans addition de liquide.

Remarque

Aussitôt que la pompe de détergent est en marche, cela est représenté par un "C" clignotant dans l'écran.

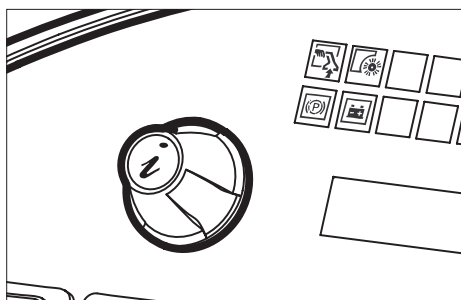
Programmes de nettoyage



- 1 Déplacement
Déplacer l'appareil vers le lieu d'utilisation.
- 2 Aspiration de récurage
Nettoyage humide du sol et aspiration de l'eau sale.
- 3 Brossage humide
Nettoyage humide du sol et laisser agir

- le détergent.
- 4 Aspiration
Aspirer la saleté.
- 5 Polissage
Polir le sol sans appliquer de liquide.
- 6 Aspiration de récurage sans utilisation d'eau (aspiration de polissage)
Polir le sol sans utiliser liquide et aspirer la poussière du polissage.
- 7 Nettoyage manuel
Appliquer le détergent avec buse de sol pour des murs et des plafond (en option) et le aspirer de nouveau.

Bouton Info



Le bouton Info permet de sélectionner des options du menu et d'effectuer des réglages.

- Respectivement, une rotation vers la droite ou la gauche permet de parcourir les menus en avant ou en arrière.
- Appuyer sur un réglage proposé pour le confirmer ce choix.

Réglages

Les réglages relatifs aux différents programmes de nettoyage s'effectuent dans le menu Utilisateur. En fonction du programme de nettoyage, le nombre des paramètres réglables varie. Les réglages s'effectuent au moyen du bouton Info.

Menu d'utilisation

- Tourner la touche d'arrêt d'urgence pour la déverrouiller.
- S'asseoir et mettre l'interrupteur à clé sur "1".
L'écran affiche l'état de la batterie et le niveau d'eau propre.
- Sélectionner le programme de nettoyage.
- Appeler le menu d'utilisation en tournant le bouton Info.
- Sélectionner le paramètre en tournant le bouton Info. La valeur actuellement paramétrée s'affiche sous forme de barres.
- Appuyer sur le bouton Info, les barres clignotent.
- Modifier les paramètres en tournant le bouton Info entre "min" et "max".
- Confirmer les modifications en appuyant sur le bouton Info ou attendre que la valeur paramétrée soit appliquée automatiquement.

Remarque

Si, au bout de 10 secondes, le paramètre choisi n'est pas modifié, l'écran retourne à

l'affichage de l'état de charge de la batterie et du niveau d'eau propre.

Les mêmes paramètres de nettoyage peuvent être réglés dans chaque programme de nettoyage individuellement.

La pression d'application des brosses peut être réglée uniquement lorsque l'appareil est en marche dans les programmes d'aspiration de récurage, frottement humide, polissage et aspiration de polissage.

Tous les réglages restent en mémoire même lorsque l'appareil n'est pas alimenté en courant.

Retourner le paramètre

- Sélectionner dans le menu d'utilisation le point "Défaut Reprendre les valeurs?" en tournant le bouton Info.
- Appuyer sur le bouton Info. Tous les paramètres par défaut sont rétablis pour chaque programme de nettoyage.

Paramètres réglables	min:pas:max	Remarque
Quantité d'eau	1:1:8	1=min., 8=max.
Dosage de détergent	0,5%:0,5%:3%	0,5=min., 3=max.
Pression de la brosse	0:1:8	0=min., 8=max.
FACT (rotation de la brosse)	-	Power-, Whisper-, Fine Clean
Temps de marche après le fonctionnement des brosses en cas de Stop	0s:1s:3s	A partir du repos jusqu'au soulèvement
Vitesse de travail	1:1:8	1=1km/h (0.6 mph), 8=6km/h (3.7 mph)

Le tableau ci-dessous indique les valeurs par défaut des programmes de nettoyage. Si aucune valeur n'est mentionnée, le paramètre concerné ne peut être modifié dans le programme de nettoyage spécifié.

Paramètre par défaut

	Quantité d'eau	Pression de la brosse	Vitesse de travail
Aspiration de récurage	5	4	4
Brossage humide	5	4	4
Aspiration de poussières	-	-	4
Polissage	-	4	4
Aspiration de polissage	-	4	4

	Dosage de détergent (option)	FACT (rotation de la brosse)	Temps de marche après le fonctionnement des brosses
Aspiration de récurage	1%	P	2s
Brossage humide	1%	P	2s
Polissage	-	P	0s
Aspiration de polissage	-	P	0s

P= Power Clean

Mettre en marche le dispositif de dosage de détergent

- Actionner l'interrupteur du dispositif de dosage de détergent (en option)
Le détergent est dosé automatiquement.

Remarque

Le dosage du détergent peut être réglé dans le menu d'utilisation.

Remarque

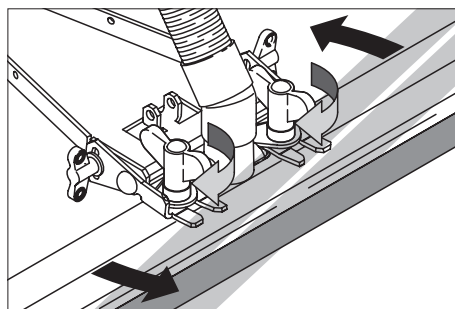
Aussitôt que la pompe de détergent est en marche, cela est représenté par un "C" clignotant dans l'écran.

Réglage de la barre d'aspiration

Position inclinée

Pour améliorer le résultat de l'aspiration sur des revêtements carrelés, il est possible de tourner la barre d'aspiration jusqu'à une position inclinée de 5°.

- Desserrer les écrous à croisillon.
- Tourner la barre d'aspiration.

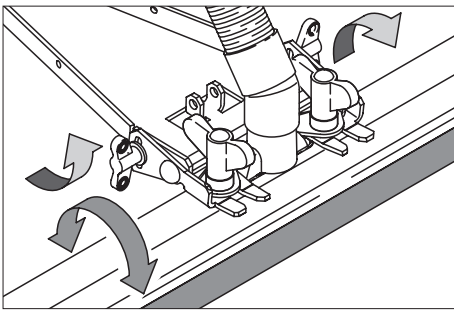


- Visser les écrous à croisillon.

Inclinaison

Si le résultat de l'aspiration n'est pas suffisant, il est possible de modifier le degré d'inclinaison de la barre d'aspiration.

- Desserrer les écrous-papillons.
- Incliner la barre d'aspiration.



- Serrer à fond les écrous-papillons.

Vidanger les réservoirs

Vider l'eau sale

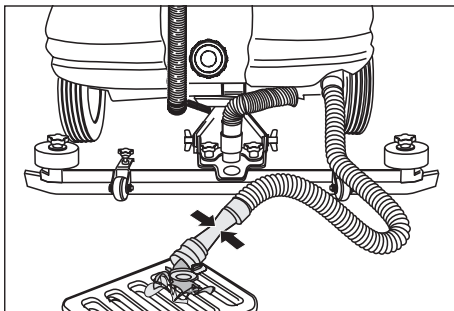
Remarque

Débordement du réservoir d'eau sale. Lorsque le réservoir d'eau sale est plein, la turbine d'aspiration s'arrête et le témoin de contrôle "réservoir d'eau sale plein" clignote. Tous les programmes de nettoyages avec aspiration s'arrêtent pour une minute. Vider le réservoir d'eau sale.

⚠ Avertissement

Tenir compte des prescriptions locales pour le traitement des eaux usées.

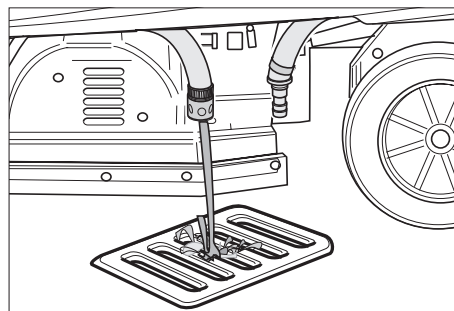
- Sortir le flexible de vidange du dispositif de maintien et l'abaisser au-dessus d'un collecteur approprié.



- Vider l'eau sale en ouvrant le dispositif de dosage sur le flexible de vidange.
- Rincer le réservoir d'eau sale à l'eau propre.

Vider l'eau propre.

- Séparer l'accouplement à boyaux pour vider l'eau propre et tenir sous un dépôt collectif approprié.



Transport

⚠ Danger

Risque de blessure ! Ne pas charger ni décharger la machine sur des pentes supérieures à 10%. Rouler doucement.

- Pour le transport sur un véhicule, blo-

quer l'appareil avec des sangles pour tendre/cordes pour l'empêcher de glisser.

Saber Glide 30

- Eliminer les disques-brosses dans la tête à brosse.

Entretien et maintenance

⚠ Danger

Risque de blessure ! Avant d'effectuer des travaux sur l'appareil, positionner l'interrupteur à clé sur "0" et retirer la clé. Débrancher la fiche de batterie.

Remarque

La turbine d'aspiration continue à être en marche après l'arrêt. N'entamer les travaux de maintenance qu'après arrêt total de la turbine d'aspiration.

- Vider et éliminer l'eau sale et le reste d'eau propre.

Plan de maintenance

Après chaque mise en service

⚠ Avertissement

Risque d'endommagement. Ne pas laver l'appareil au jet d'eau et ne jamais utiliser de détergents agressifs.

- Vider l'eau sale.
- Rincer le réservoir d'eau sale à l'eau propre.
- Contrôler le tamis à peluches et le cas échéant, le nettoyer.
- Uniquement variante SP: Retirer et vider le réservoir de salissure grossière.
- Nettoyer l'extérieur de l'appareil avec un chiffon humide et imbibé de détergent doux.
- Nettoyer les lèvres d'aspiration et les lèvres d'enlèvement, puis contrôler leur degré d'usure et le cas échéant, les nettoyer.
- Contrôler le degré d'usure des brosses et le cas échéant, les remplacer.
- Recharger la batterie.

Mensuellement

- Contrôler les bornes de la batterie, en cas de besoin brosser et graisser avec graisse de borne. Faire attention que les câbles de raccordement sont bien branchés.
- Nettoyer les joints entre le réservoir d'eau sale et le couvercle et vérifier s'ils sont étanches, en cas de besoin remplacer.
- Contrôler le fonctionnement du frein d'immobilisation automatique.
- Contrôler en cas de batteries avec maintenance la concentration de l'acide des cellules.
- Nettoyer le tunnel des brosses (uniquement variante SP).

Tous les ans

- L'inspection prescrite doit être effectuée par le service après-vente.

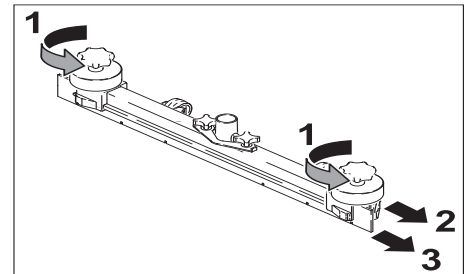
Travaux de maintenance

Contrat de maintenance

Afin de pouvoir garantir un fonctionnement fiable de l'appareil, il est possible de conclure des contrats de maintenance avec le bureau de ventes Windsor responsable.

Remplacer les lèvres d'aspiration

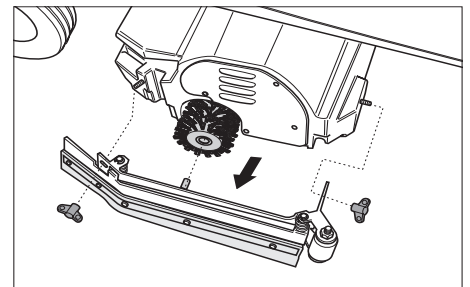
- Retirer la brosse d'aspiration.
- Deserrer les écrous à croisillon.



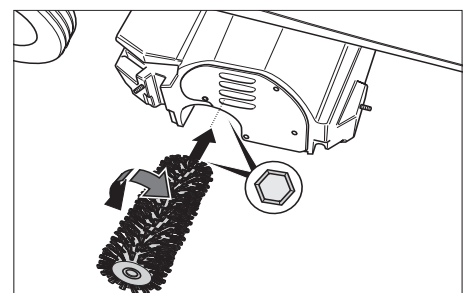
- Retirer les pièces plastiques.
- Retirer les lèvres d'aspiration.
- Mettre de nouvelles lèvres d'aspiration en place.
- Mettre en place des pièces plastiques.
- Visser les écrous à croisillon.

Remplacement des rouleaux-brosses

- Desserrer les écrous-papillons.
- Retirer le couvercle de stockage.



- Retirer la brosse d'aération, placer une nouvelle (faire attention à l'entrée hexagonale de la brosse d'aération).



- Poser le couvercle de stockage.
- Serrer à fond les écrous-papillons.
- Répéter le procédé à la côté que se trouve en face.

Remplacement des disques-brosses

- Soulever les disques-brosses.
- Tourner les disques-brosses d'env. 45°.
- Retirer les disques-brosses par le bas.
- Pour la mise en place des nouveaux disques-brosses, procéder dans l'ordre inverse.

Protection antigel

En cas de risque de gel :

- Vider le réservoir d'eau propre et le réservoir d'eau sale.
- Déposer l'appareil dans une pièce à l'abri du gel.

Pannes

⚠ Danger

Risque de blessure ! Avant d'effectuer des travaux sur l'appareil, positionner l'interrupteur à clé sur "0" et retirer la clé. Débrancher la fiche de batterie.

- Vider et éliminer l'eau sale et le reste d'eau propre.

En cas de pannes ne pouvant pas être résolues grâce aux instructions de ce tableau, appeler le service après-vente.

Changer les fusibles

Seuls les fusibles plats pour véhicules automobiles présentant les valeurs suivantes peuvent être employés par l'utilisateur :

- 7,5A (F1) - alimentation électrique de

commande et de secours.

- 30A (F4) - course/alimentation modulaire d'accessoire

Remarque

Les fusibles défectueux (F2, F3) peuvent être changés uniquement par le service après-vente. En cas de dysfonctionnement des fusibles, les conditions d'utilisation ainsi que l'intégralité du système de commande doivent être vérifiées par le service après-vente.

La commande est montée en dessous du pupitre de commande. Afin de pouvoir avoir accès aux fusibles, il faut au préalable retirer le recouvrement du côté gauche de l'espace pour les pieds.

- Dévisser la vis de serrage au bout supérieur du capot.
- Retirer le capot.
- Changer le fusible.
- Fixer le capot.

Remarque

Le plan des fusibles est affiché à l'intérieure du capot.

Affichage des défauts

L'écran affiche en alternance les défauts présents par intervalles de 4 secondes (exemple :

Panne au fonctionnement de frottage
Fonction H1/022

Si après 4 secondes, les défaut apparaissent encore à l'écran, procéder comme suit :

- Mettre l'interrupteur à clé sur "0".
- Attendre jusqu'à ce que le texte affiché à l'écran disparaisse.
- Mettre l'interrupteur à clé sur "1". Appliquer les mesures de réparation correspondantes dans l'ordre prescrit uniquement si le défaut réapparaît. Pour cela, positionner l'interrupteur à clé amovible à la position "0" et la fiche de batterie doit être débranchée.
- Si le défaut ne peut être réparé, contacter le service après-vente en lui communiquant le code du défaut (H1/022 dans l'exemple donné).

Défauts qui s'affichent à l'écran

Affichage de l'écran		Cause	Remède
Contacteur de siège ouvert	seat switch open	Le contacteur de siège n'est pas activé.	L'appareil ne fonctionne que si l'utilisateur est assis sur le siège.
Relâcher la pédale d'accélérateur !	release throttle?	Lorsque l'interrupteur à clé est activé, la pédale d'accélérateur est enfoncée.	Avant de mettre l'interrupteur à clé en marche, retirer le pied de la pédale d'accélérateur. Si le défaut apparaît de nouveau, contacter le service après-vente.
Batterie vide -> Charger !	battery empty -> charge!	La tension de décharge de la batterie est atteinte. Les modules de nettoyage ne peuvent plus être actionnés. Le mode déplacement et l'éclairage fonctionnent.	Conduire l'appareil à la station de charge et charger la batterie.
Batterie complètement déchargée	battery totally discharged!	La capacité maximale de la batterie a été dépassée. Tous les modules sont désactivés. La machine n'est plus opérationnelle.	Déverrouiller manuellement le frein de la roue avant. (Attention ! L'appareil ne développe plus d'effet de freinage !). Si le déverrouillage se révèle impossible, contacter le service après-vente. Pousser l'appareil jusqu'à la station de charge. Recharger la batterie.
Le réservoir de sa-lissure est plein, le nettoyage s'arrête	sewage tank full cleaning stops	Le réservoir d'eau sale est plein.	Vider le réservoir d'eau sale.
Heures de services réinitialisées (0) !	operating hours set to 0!	Défaut interne à l'appareil lors de l'enregistrement des heures de service. Lors de la prochaine mise en service, le cumul des heures de service sera réinitialisé et affichera 0.	Pas de remède, explication uniquement informative.
Commande en surchauffe ! Laisser refroidir !	moduletemp. high let cool down!	La température du système de commande est trop élevée.	Mettre l'interrupteur à clé sur "0". Attendre au moins 10 minutes. Mettre l'interrupteur à clé sur "1".
Moteur de traction en surchauffe ! Laisser refroidir !	drive motor hot! let cool down!	Le moteur de traction chauffe excessivement en raison d'une pente ou d'un frein serré.	Mettre l'interrupteur à clé sur "0". Attendre au moins 10 minutes. Mettre l'interrupteur à clé sur "1". Si possible, ne déplacer l'appareil que sur des surfaces planes. En cas de besoin, vérifier le frein d'immobilisation et la pédale de marche.
Contacteur ouvert !!	contactor open!!	Erreur dans la commande.	Mettre l'interrupteur à clé sur "0". Attendre au moins 10 secondes. Mettre l'interrupteur à clé sur "1".
Désactivation, alimentation des bus inexistante	Shutdown, missing bus supply		Informez le service après-vente.

Défauts qui ne s'affichent pas à l'écran

Panne	Remède
Il est impossible de mettre l'appareil en marche	Brancher la fiche de batterie.
	Mettre l'interrupteur à clé sur "1".
	Contrôler le fusible F1, en cas de besoin échanger *
	Contrôler la batterie, en cas de besoin charger.
Quantité d'eau insuffisante	Contrôler le niveau d'eau propre et en cas de besoin, remplir le réservoir
	Contrôler si les flexibles sont bouchés, en cas de besoin nettoyer.
	Nettoyer le filtre d'eau propre.
Puissance d'aspiration insuffisante	Nettoyer les joints entre le réservoir d'eau sale et le couvercle et vérifier s'ils sont étanches, en cas de besoin remplacer.
	Nettoyer le filtre au bocal d'aspiration de la turbine d'aspiration.
	Nettoyer les lèvres d'aspiration sur la barre d'aspiration et en cas de besoin remplacer.
	Contrôler si les flexibles d'aspiration sont bouchés, en cas de besoin nettoyer.
	Contrôler si les flexibles d'aspiration sont étanches et en cas de besoin remplacer.
	Vérifier si le couvercle sur le flexible de vidange d'eau sale est fermé.
Résultat de nettoyage insuffisant	Régler la pression.
	Contrôler le degré d'usure des brosses et le cas échéant, les remplacer.
Les brosses ne se tournent pas	Diminuer la pression.
	Vérifier si des corps étrangers bloquent les brosses et le cas échéant, éliminer les corps étrangers.
La lumière à la rond et/ou la lumière de travail ne s'allume pas	Contrôler le fusible F4, en cas de besoin échanger *

* Les fusibles se trouvent dans des bornes plates sur le fond de panier et sont accessibles lorsque le capot est ouvert.

Accessoires

Désignation	N° de pièce Saber Glide 30 SP	Description	Pièce	L'appareil besoin la pièce
Brosse d'aération, blanche (douce)	6.906-496	Pour le polissage et nettoyage des sols sensibles.	1	2
Brosse d'aération, rouge (moyenne, standard)	5.762-285	Aussi pour un nettoyage des sol plus sales.	1	2
Brosse d'aération, orange (haut/bas)	6.906-495	Pour frotter des sols structurés (carrelage de protection etc.).	1	2
Brosse d'aération, verte (dure)	6.906-494	Pour un nettoyage profond des sols très sales et pour décaper (p.ex. cire, acryliques).	1	2
Brosse d'aération, verte (très dure)	6.906-497		1	2
Rouleau de pad	4.762-316	Pour la réception de pads de rouleau.	1	2
Pad de rouleau, blanc (très doux)	6.369-389		20	2
pad de rouleau, jaune (doux)	6.369-454	Pour le polissage des sols.	20	2
Pad de rouleau, rouge (moyen)	6.369-456	Pour le nettoyage des sols pas trop sales.	20	2
Pad de rouleau, vert (dur)	6.369-455	Pour le nettoyage des sols normal ou très sales.	20	2
Lèvre de caoutchouc Tête de travaux de sol	5.394-640	Standard	1	2
Lèvre de caoutchouc Tête de travaux de sol	5.394-754	ne s'use pas trop	1	2

Désignation	N° de pièce Saber Glide 30	Description	Pièce	L'appareil besoin la pièce
Disque-brosse, nature (douce)	6.369-492	Pour le polissage des sols.	1	2
Disque-brosse, rouge (moyenne, standard)	6.906-346	Pour le nettoyage des sols pas trop sales ou sensibles.	1	2
Disque-brosse, noire (dure)	6.906-491	Pour le nettoyage des sols très sales.	1	2
Plateau de propulsion	6.906-493	Pour la réception de pads.	1	2
Disc-Pad, rouge (moyen)	6.369-791	Pour le nettoyage des sols pas trop sales.	5	2
Disc-Pad, vert (dur)	6.369-790	Pour le nettoyage des sols très sales.	5	2
Disc-Pad, noir (très dur)	6.369-789	Pour le nettoyage des sols très sales.	5	2
Lèvre de caoutchouc, gris	6.273-214	Standard	20	2
Lèvre de caoutchouc, résistante à l'huile	6.273-208	résistante à l'huile	20	2
Barre d'aspiration, droit	4.777-049	Standard	1	1
Barre d'aspiration, courbée	4.777-056	Standard	1	1
Lèvre de caoutchouc Tête de travaux de sol	5.394-640	Standard	1	2
Lèvre de caoutchouc Tête de travaux de sol	5.394-754	ne s'use pas trop	1	2

Jeux de montage

Jeu de montage pour l'aspiration de pulvérisation	2.640-186	Facilite le nettoyage des endroits inaccessibles.
Jeu de montage pour le fonctionnement de recyclage	2.640-201	Prolonge le temps de marche sans faire le plein.
Jeu de montage pour lea luminaire à la ronde	2.640-108	
Jeu de montage pour l'éclairage de travail	2.640-109	
Jeu de montage pour le dossier	2.640-681	

Données techniques

		Saber Glide 30 SP	Saber Glide 30
Performances			
Tension nominale	V	24	
Capacité de la batterie	Ah (5h)	240	
Puissance absorbée moyenne	W	2100	
Puissance du moteur (puissance nominale)	W	600	
Puissance du moteur d'aspiration	W	800	
Puissance de moteur de brosses	W	2x 600	
Aspiration			
Puissance d'aspiration, débit d'air	l/s (gpm)	28 (443)	
Puissance d'aspiration, dépression	kPa (psi)	14 (2)	
Brosses de nettoyage			
Largeur de travail	mm (in)	750 (29,5)	
Diamètre des brosses	mm (in)	110 (4,3)	400 (15,7)
Vitesse des brosses	1/min	1200	160
Dimensions et poids			
Vitesse de déplacement (max.)	km/h (mph)	6 (3,7)	
Pente (max.)	%	10	
Surface théoriquement nettoyable	m ² /h (ft ² /h)	3000 (32200)	3600 (38750)
Volume du réservoir d'eau propre/réservoir d'eau sale	l (gal)	140/140 (37/37)	
Longueur	mm (in)	1550 (61)	
Largeur	mm (in)	870 (34,2)	
Hauteur	mm (in)	1340 (52,8)	
Poids (avec/sans batterie)	kg (lbs)	550/230 (1212/501)	
Emissions sonores			
Niveau de pression acoustique (EN 60704-1)	dB(A)	70	
Vibrations de l'appareil			
Valeur globale de vibrations (ISO 5349)			
Bras, volant	m/s ²	0,1	
Pieds, pédale	m/s ²	0,1	
Surface d'assise	m/s ²	0,1	

Chargeur

Consignes de sécurité

Lisez attentivement ce mode d'emploi avant la première utilisation du chargeur et respectez les conseils y figurant. Observer aussi les consignes du fabricant de la batterie.

⚠ Danger

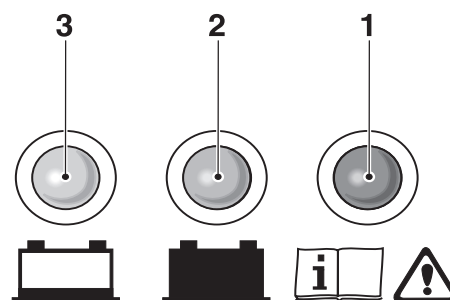
- Tenir les enfants éloigner des batteries et du chargeur.
- La fiche du chargeur ne peut être modifiée.
- Le chargeur ne peut être utilisé que avec les batteries recommandées. Si vous utilisez des fausses batteries pour le chargeur, celles-ci peuvent former de gaz, combuster lentement et exploser.
- Le chargeur peut être utilisé dans la position de montage indiqué par le fabricant.

Utilisation conforme

L'utilisation du chargeur doit être faite en conformité avec les consignes figurant dans les instructions de service.

- Le chargeur peut être utilisé que pour le chargement de batteries .
- Le chargeur ne peut être utilisé que par des batteries avec un minimum d'entretien avec une tension de secteur de 24 Volt.
- Le chargeur peut être utilisé avec la suivante protection de secteur: Coupe-circuit à fusible 10 A gL au minimum ou fusible à percuter 10 A (caractéristique B ou C) au minimum.

Témoins de contrôle



- 1 le DEL rouge s'allume = défaut chargeur/batterie, informer le service après-vente
- 2 le DEL vert s'allume = la batterie est chargée
- 3 le DEL jaune s'allume = la batterie est en train d'être chargée

Mise en service

Danger

Risque d'explosion !

- *Ne pas utiliser les batteries à l'air libre, aux voies publiques, dans des locaux où il y a un risque de explosion et dans les locaux où il y a des poussières conductibles électriquement.*
 - *Au chargement des batteries peuvent surgir des substances explosives. Ne pas fumer à proximité des batteries et du chargeur. Eviter le feu et la formation d'étincelles.*
 - *Au chargement des batteries, ne pas couvrir la grille de ventilation de l'appareil. Laisser ouvert le capot de l'appareil de nettoyage pendant le processus de chargement.*
- Brancher la fiche secteur du chargeur dans une douille mise à terre de 230 V. Le processus de chargement commence automatiquement.

Maintenance

Le chargeur ne nécessite aucune maintenance. Comme quelques pièces s'usent, nous recommandons de laisser vérifier le chargeur régulièrement par un spécialiste. L'appareil ne peut être ouvert et réparé que par un électricien. Adressez-vous au service après-vente.

Données techniques

Tension du secteur	120 V, 60 Hz
Tension de sortie	24 V
Courant de sortie	36 A au maximum
Diagramme caractéristique du chargement	IUIa avec niveau de conservation
Température ambiante	0-40 °C (32-104 °F)
Hygrométrie, non-condensée	0-90%
Poids	5,5 kg (12,2 lbs)
Type de protection	IP 20
Classe de protection	I
Dimensions (H x L x P)	85x219x308 mm (3,4x8,6x12,1 in)

Travaux d'entretien

Travaux d'entretien toutes les 100 heures de service

- 1 Vérifier l'oxydation des pôles de la batterie
- 2 Vérifier la fixation des cosses sur les bornes de la batterie
- 3 Vérifier l'absence de dégâts et d'oxydation sur les lignes et les contacts
- 4 Vérifier les jonctions câblées sur la commande électronique
- 5 Vérifier le niveau d'acide dans les batteries (uniquement sur celles peu demandées d'entretien)
- 6 Turbine d'aspiration en marche, mesurer la tension des cellules des batteries ($\Delta U \leq 0,05$ volt)
- 7 Vérifier la conduite : marche avant, marche arrière
- 8 Vérifier l'effet produit par le frein d'immobilisation sur le moteur de traction
- 9 Vérifier le fonctionnement de la tête brosse: abaissement, levage
- 10 Vérifier le fonctionnement et l'usure des brosses
- 11 Vérifier la trace de balayage
- 12 Vérifier les lèvres de raclage sur la tête de nettoyage
- 13 Vérifier le réglage de la pression d'application des brosses
- 14 Vérifier la tension et l'usure des courroies d'entraînement des brosses
- 15 Vérifier l'usure et le réglage des raclettes d'aspiration
- 16 Vérifier l'étanchéité du flexible d'aspiration
- 17 Vérifier l'étanchéité des flexibles à eau
- 18 Vérifier le(s) joint(s) du/des couvercle(s) de réservoir
- 19 Vérifier le fonctionnement de la vanne de dosage de l'eau
- 20 Nettoyer le crible à peluches
- 21 Vérifier le fonctionnement de la turbine d'aspiration / la barre d'aspiration (vérifier la période de post-fonctionnement)
- 22 Vérifier le filtre à eau et le nettoyer (option Recyclage)
- 23 Vérifier le filtre à eau propre et le nettoyer
- 24 Vérifier la vanne de commutation Eau propre / Eau recyclée (option)
- 25 Contrôler le fonctionnement du contacteur de siège
 - Commutateur à clé sur position « 1 »
 - Sélectionner une direction de déplacement
 - Le siège doit rester libre
 - Appuyer légèrement sur la pédale d'accélérateurRelâcher la pédale d'accélérateur immédiatement si l'appareil se déplace.
Mettre l'appareil hors service, appeler le service après-vente

- 26 Fusible F5 « contrôler le mode arrêt d'urgence »

Travaux de maintenance toutes les 500 heures de service

- 1 Contrôler l'usure des balais de charbon dans le moteur d'entraînement et l'entraînement des brosses, remplacer les balais de charbon si nécessaire

INSTRUCCIONES IMPORTANTES DE SEGURIDAD

Lea todas las instrucciones antes de usar el producto.

⚠ ADVERTENCIA

Para reducir el riesgo de fuegos, descarga eléctrica o lesiones:

- 1 no abandonar la unidad mientras esté enchufada. Desenchufar cuando no esté en uso y antes de revisar.
- 2 Para reducir el riesgo de descargar eléctricas utilizar sólo en interiores.
- 3 No permita que se use como juguete. Prestar mucha atención cuando se use cerca de niños.
- 4 Usar exclusivamente como se describe en este manual. Usar solamente con los complementos recomendados por el fabricante.
- 5 No usar con el cable o la clavija dañados. Si el aparato no funciona como debería, se ha caído al suelo, dañado, dejado al aire libre, o caído al agua, devuélvalo a servicio de atención al cliente.
- 6 No tirar del cable ni transportar el aparato cogido por el cable, no cerrar una puerta sobre el cable, ni pasar el cable por bordes o esquinas afiladas. No pasar el aparato por encima del cable. Mantener el cable alejado de superficies calientes.
- 7 No tirar del cable para desenchufar el aparato. Para desenchufar, tire de la clavija no del cable.
- 8 No manipular la clavija ni el aparato con las manos mojadas.
- 9 No introducir objetos en los orificios. No usar con cualquiera de los orificios bloqueados; mantener sin polvo, pelusa, pelo y cualquier otra cosa que pueda reducir el flujo de aire.
- 10 Mantener el cabello, la ropa floja, los dedos y todas las partes del cuerpo alejadas de los orificios y partes móviles.
- 11 Apagar los mandos de control antes de desenchufar.
- 12 Usar con especial cuidado cuando limpie escaleras.
- 13 No usar para recoger líquidos inflamables o combustible, como gasolina, ni utilizar el aparato en áreas donde puedan estar presentes.
- 14 Conectar exclusivamente a una toma con puesta a tierra. Consultar las instrucciones de puesta a tierra.

CONSERVE ESTAS INSTRUCCIONES

Instrucciones de puesta a tierra

Este producto se tiene que poner a tierra. Si funcionase mal o si se rompiese, la puesta a tierra proporcionaría un circuito menos resistente a la energía eléctrica para reducir el riesgo de electrochoque. Este producto está equipado con un cable que tiene un conductor a tierra y un enchufe a tierra para el equipo. El enchufe se tiene que enchufar a un tomacorriente adecuado, que esté co-

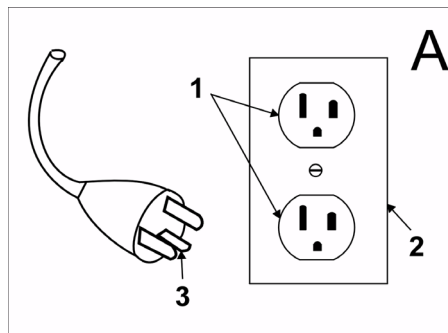
rectamente instalado y puesto a tierra conforme a todas las normas y reglamentos locales.

⚠ PELIGRO

Si la conexión del conductor a tierra del equipo es incorrecta puede existir riesgo de electrochoque. En caso de duda, compruebe con ayuda de un electricista cualificado o del personal del servicio técnico que el tomacorriente está correctamente puesto a tierra. No modifique el enchufe proporcionado con el producto; si no encaja en el tomacorriente, pida a un electricista cualificado que le instale un tomacorriente adecuado. No utilice ningún tipo de adaptador con este producto.

Este dispositivo está diseñado para usar en un circuito nominal de 120 V y tiene un enchufe de toma a tierra que tiene el aspecto de la figura A. Asegúrese de que el dispositivo esté conectado a una toma de corriente que tenga la misma configuración que la clavija. No se debe usar un adaptador con este equipo.

CONECTAR EXCLUSIVAMENTE A UNA TOMA DE CORRIENTE CON PUESTA A TIERRA



- 1 Toma de corriente con puesta a tierra
- 2 Caja de toma de corriente con puesta a tierra
- 3 Clavija con puesta a tierra

FORMACIÓN DEL OPERARIO

Sólo se permitirá operar un aparato para limpieza de suelos motorizado a personas formadas y autorizadas. Los operarios de aparatos de limpieza de suelos motorizados deberán estar cualificados y tener la capacidad visual, auditiva, física y mental para operar equipos de forma segura.

ENTRAMIENTO DE OPERARIO

Aquel personal que no haya sido formado para trabajar con aparatos de limpieza de suelos motorizados solamente podrán utilizarlos para fines de entrenamiento, y bajo supervisión directa del entrenador. Este entrenamiento deberá ser llevado a cabo en un área alejada de camiones, obstáculos y peatones.

El programa de entrenamiento de operarios incluirá las políticas de usuario del lugar en que la persona que esté haciendo el curso vaya a trabajar con el aparato de limpieza de suelos, las condiciones de funcionamiento de dicha ubicación, y el aparato de

limpieza con el que este trabajará. El curso se ofrecerá a todos los operarios sin tener en cuenta la experiencia previa.

El entrenamiento informará al participante del curso de:

- A la principal responsabilidad del operario es usar el aparato de limpieza de suelos de forma segura según las instrucciones del programa de entrenamiento.
- B El uso inseguro o incorrecto de un aparato de limpieza de suelos puede tener como consecuencia: la muerte o lesión grave del operario o terceros; daño del aparato de limpieza de suelos u otras propiedades.

El programa de entrenamiento deberá hacer especial hincapié en la operación segura y correcta para evitar lesiones al operario y a terceros y evitar daños materiales, y cubrirá las siguientes áreas.

A Principios fundamentales de aparato(s) de limpieza de suelos motorizados que el participante al curso operará:

- 1 características de los aparatos de limpieza de suelos motorizados, incluidas las variedades de equipos en el lugar de trabajo;
 - 2 similitudes y diferencias de automóviles;
 - 3 importancia de los datos de la placa identificadora, advertencias e instrucciones aplicables al aparato de limpieza de suelos motorizado;
 - 4 instrucciones de funcionamiento y advertencias del manual de funcionamiento para el aparato de limpieza de suelos, e instrucciones para la inspección y mantenimiento que deba realizar el operario;
 - 5 tipo de energía motriz y sus características;
 - 6 método de control;
 - 7 método de freno y características;
 - 8 visibilidad delantera y trasera;
 - 9 características de estabilidad con y sin carga, con o sin complementos;
 - 10 ubicación de controles, funcionamiento, método de operación, identificación de símbolos;
 - 11 recarga de batería;
 - 12 dispositivos de seguridad y protección para el tipo de aparato de limpieza de suelos específico;
 - 13 otras características del aparato de limpieza de suelos específico.
- B Ambiente de trabajo y su efecto sobre el funcionamiento del aparato de limpieza de suelos, incluido:
- 1 condiciones del pavimento o suelo incluidas condiciones temporales;
 - 2 rampas e inclinaciones;
 - 3 dispositivos de recarga de batería;
 - 4 pasillos estrechos, entradas, cableado elevado y tuberías, y otras áreas de acceso limitado;
 - 5 áreas en las que el aparato de limpieza de suelos trabaje cerca de otros camiones industriales motorizados, otros vehículos o peatones;

- 6 uso y capacidad de ascensores;
- 7 trabajo cerca del borde de muelle o superficie elevada;
- 8 otras condiciones especiales de funcionamiento y problemas que se puedan encontrar.

C Funcionamiento del aparato de limpieza de suelos, incluido:

- 1 inspección correcta previa al comienzo del turno y método autorizado para retirar de funcionamiento un aparato de limpieza de suelos que necesite ser reparado o revisado;
- 2 transporte, dar la vuelta en esquinas;
- 3 procedimientos de aparcamiento y apagado;
- 4 otras condiciones especiales de funcionamiento para el dispositivo específico.

D Normas y prácticas de seguridad para el funcionamiento, incluido:

- 1 disposiciones de este estándar en la sección "normas y prácticas de seguridad para el funcionamiento";
- 2 otras normas, reglas o prácticas especificadas por el empleador en el lugar donde se vaya a poner en funcionamiento el aparato de limpieza de suelos motorizado.

E Prácticas de entrenamiento de funcionamiento, incluido:

- 1 si es posible, se practicará el funcionamiento del aparato de limpieza de suelos motorizado en un áreas separada del personal y del lugar donde se realicen actividades de trabajo;
- 2 las prácticas de entrenamiento se llevarán a cabo bajo la supervisión del entrenador;
- 3 la práctica de entrenamiento incluirá el funcionamiento en sí o un funcionamiento simulado de todas las tareas tales como maniobra, avance, parada, arranque y otras actividades que se encontrarán en el uso del aparato de limpieza de suelos motorizado.

PRUEBAS, NUEVO ENTRENAMIENTO Y REFUERZO

- A Durante el entrenamiento, el empleador llevará a cabo pruebas de aptitud y exámenes orales y/o escritos para medir las habilidades y conocimientos del operario de los requisitos de la norma. Los empleadores pueden delegar la realización de las pruebas a terceros pero seguirán siendo responsables de las mismas. Se guardarán archivos correspondientes.
- B Los operarios volverán a recibir información cuando se introduzca nuevos equipos, se modifique el equipo actual, cambien las condiciones de funcionamiento o el trabajo del operario no sea satisfactorio.
- C El usuario será responsable de reforzar el uso seguro del aparato de limpieza de suelos motorizado de acuerdo con las disposiciones de esta norma.

NOTA: para más información sobre entre-

namiento de operarios consulte por ejemplo, a los fabricantes de aparatos de limpieza de suelos motorizados, agencias gubernamentales relaciones con la seguridad laboral, organizaciones comerciales de usuarios de camiones industriales motorizados, organizaciones públicas y privadas, y consultores de seguridad.

NORMAS Y PRÁCTICAS DE SEGURIDAD PARA EL FUNCIONAMIENTO

Responsabilidad del operario

El operario es responsable de un funcionamiento seguro.

El operario creará unos hábitos de trabajo seguros y estará al tanto de condiciones peligrosas para protegerse a sí mismo, a otros miembros del personal, el aparato de limpieza de suelos motorizado y otros materiales.

El operario estará familiarizado con el trabajo y funcionamiento de todos los controles e instrumentos antes de poner en funcionamiento el equipo.

Antes de poner el funcionamiento el aparato, los operarios tendrán que leer y estar familiarizados con el manual del operario de la unidad en concreto y también cumplirán con las normas y prácticas de seguridad indicadas en los siguientes párrafos.

Antes de poner en funcionamiento cualquier unidad, el operario se familiarizarán con las condiciones inusuales de funcionamiento que puedan requerir precauciones de seguridad adicionales o instrucciones de funcionamiento especiales.

Generalidades

Antes de poner en funcionamiento el aparato de limpieza de suelos:

- A colocar en la posición de funcionamiento;
- B colocar los controles de dirección en posición neutra;
- C poner el freno;
- D poner el interruptor en posición ON.

No arrancar ni poner en funcionamiento la unidad, cualquiera de sus funciones o complementos, en otro sitio que no sea la posición designada de operario.

Mantener las manos y los pies dentro del área de operario designada o en el compartimento de la unidad.

Comprender las limitaciones de la unidad y poner en funcionamiento la unidad de forma segura para no causar daño al personal. Salvaguardar peatones en todo momento.

- A No conducir el aparato de limpieza de suelos motorizado en dirección a una persona que se encuentre en frente de un objeto.
- B Asegurarse de que el personal se mantiene apartado del área de giro trasera antes de realizar maniobras retorno.
- C Poner especial cuidado a la hora de cruzar pasillos, entragas, y otros lugares por los que los peatones puedan pa-

sar poner la ruta del aparato de limpieza de suelos.

No permitir pasajeros en los aparatos de limpieza de suelos motorizados a no ser que el fabricante haya previsto un lugar seguro para ellos.

Un aparato de limpieza de suelos está vigilado cuando el operario no está a más de 7,6 m del equipo, que sigue a la vista.

Un aparato de limpieza motorizado no está vigilado cuando el operario está a más de 7,6 m del equipo, que sigue a la vista, o cuando el operario abandona el aparato y no lo tiene a la vista.

Antes de dejar la posición del operario:

- A parar completamente el equipo;
- B colocar los controles de dirección en posición neutra;
- C poner el freno de estacionamiento;
- D parar el motor o apagar los controles;
- E si el equipo tiene que estar en una inclinación, bloquear las ruedas.

Mantenerse a una distancia segura del borde de rampas, plataformas y otras superficies de trabajo.

Cuando se suba o baje aparatos de limpieza motorizados a camiones o remolques de carretera, poner frenos, cuñas a las ruedas u otro tipo de mecanismo para evitar que los camiones o remolques de carretera se muevan de forma no intencionada.

Siempre que se suba o baje aparatos de limpieza de suelos motorizados a tráilers que no estén acoplados a un tractor, puede que sea necesario utilizar apoyos para evitar que se tumbe o vaya hacia una esquina. Se debe poner especial cuidado en no entrar en contacto con instalaciones elevadas como luces, cableado, tuberías, sistema de regadío etc.

Informe al supervisor o a la persona indicada de todos los accidentes en el que hayan estado involucrados personal, estructuras del edificio, y equipamiento.

No realice modificaciones ni añadidos al equipo.

No bloquear el acceso a las salidas de emergencias de incendios, escaleras o equipo antiincendios.

Conducción

Respetar todas las normas de circulación incluidos los límites de velocidad autorizados en la planta. En condiciones de tráfico normales, manténgase a la derecha. Mantenerse a una distancia segura, basada en la velocidad de conducción, de la parte delantera del equipo; y tener la unidad bajo control en todo momento.

Ceder el paso a peatones y vehículos de emergencias como ambulancias o camiones de bomberos.

No adelante otro vehículo que vaya en la misma dirección en cruces, puntos ciegos u otros lugares peligrosos.

Reduzca la velocidad y el sonido de dispositivo(s) de emergencia en cruces y otros lugares donde la visión sea reducida.

Cruce vías de tren en ángulo siempre que sea posible. No aparcar a menos de 1800

mm de la vía del tren.

Subir o bajar inclinaciones lentamente, y con precaución. Evitar dar la vuelta, si es posible, y tener especial precaución en cuestas, rampas o inclinaciones; conducir normalmente en línea recta.

Mantener una buena vista del camino por el que conduce y preste atención al tráfico, personal y seguridad.

Operar el equipo siempre a una velocidad que permita parar de manera segura.

Arrancar, parar, dar la vuelta y cambiar de dirección con cuidado para no ladear y/o volcar el aparato de limpieza de suelos motorizado.

No permita realizar escenas peligrosas ni jugar con el equipo.

Reducir la velocidad en suelos húmedos y resbaladizos.

Antes de conducir sobre un muelle o puente, asegúrese de que esté bien seguro.

Conducta con cuidado y lentamente por el muelle o puente, y no exceda nunca la capacidad indicada.

No conducir sobre aparatos de limpieza de suelos motorizado en ningún ascensor a no ser que se haya autorizado específicamente. Acérquese lentamente al ascensor, y entre de forma directa cuando la caja del ascensor esté correctamente en posición. Cuando esté dentro del ascensor, neutralice los controles, apague el interruptor, y ponga los frenos. Se recomienda que todo el personal salga del ascensor antes de que entre el aparato de limpieza de suelos motorizado.

Al sortear curvas, reduzca la velocidad a un nivel seguro de acuerdo con el ambiente de funcionamiento. Sortear las curvas con cuidado. Excepto en situaciones de maniobra a velocidad muy baja, ponga el control de mando a un nivel moderado y uniforme. El funcionamiento del aparato de limpieza de suelos motorizado requiere una serie de consideraciones de seguridad, tal y como se indica a continuación:

A Un aparato de limpieza de suelos motorizado puede volcar si el operario no reduce la velocidad para sortear curvas de forma segura. Los siguientes signos indican que el aparato va a una velocidad excesiva a la hora de sortear curvas:

- 1 las ruedas derrapan;
- 2 la unidad se balancea hacia un lateral;
- 3 las ruedas se levantan; y
- 4 se necesita agarrar el volante fuertemente para evitar salir despedido del asiento.

B La posibilidad de volcar aumenta en cualquiera de las siguientes situaciones o en una combinación de ellas:

- 1 conducir en una superficie irregular;
- 2 conducir a velocidad excesiva.

C Se puede volcar hacia delante y aumentan las probabilidades bajo las siguientes condiciones o combinación de ellas:

- 1 El operario debe permanecer junto al aparato de limpieza de suelos motorizado si cae por un muelle de carga o rampa. El operario debe sujetarse bien y

alejarse del punto de impacto.

- 2 Cuando el ambiente resulta muy peligroso, o hay unas condiciones de uso inusuales, el usuario puede necesitar tomar unas precauciones diferentes y/o adicionales e instrucciones de funcionamiento especiales de acuerdo con las condiciones.

Cuidados del equipo realizados por el operario

Al comienzo de cada turno y antes de poner en funcionamiento el aparato de limpieza de suelos motorizado, comprobar su estado, prestar especial atención a lo siguiente:

- A estado de las ruedas
- B si las ruedas son neumáticas, comprobar la presión del aire
- C dispositivos de advertencia y seguridad
- D luces
- E batería
- F controles
- G sistemas de elevación e inclinación
- H cadenas y cables
- I interruptores de límites
- J frenos
- K mecanismo de control
- L objetos adicionales o equipo especial tal y como especifica el usuario y/o fabricante

Si el equipo necesita ser reparado o es inseguro, o favorece una situación insegura, se deberá informar del problema inmediatamente al encargado designado por el usuario, y no se pondrá en funcionamiento el equipo hasta que se recupere el estado de funcionamiento seguro.

Si el equipo se vuelve inseguro de cualquier modo durante su funcionamiento, se deberá informar del problema inmediatamente al encargado designado por el usuario, y no se pondrá en funcionamiento el equipo hasta que se recupere el estado de funcionamiento seguro.

No realizar reparaciones o ajustes a no ser que se autorizado específicamente.

No usar llamas directas cuando se comprueba el nivel de electrolitos en las baterías de almacén.

MANTENIMIENTO Y PRÁCTICAS DE RECONSTRUCCIÓN

El funcionamiento del equipo puede resultar peligroso si no realiza el mantenimiento o se llevan a cabo reparaciones, reconstrucciones o ajustes que no correspondan con los criterios de diseño del fabricante. Por lo tanto, se deben poner a disposición lugares de mantenimiento (en el mismo local o en otro lugar), personal cualificado, y procedimientos detallados.

El fabricante del aparato de limpieza de suelos motorizado puede suministrar manuales de piezas y mantenimiento.

En casos excepcionales, no incluidos en los manuales anteriormente mencionados, consulte al fabricante del aparato de limpieza de suelos motorizado.

El mantenimiento e inspección de la unidad

se realizará de acuerdo con las siguientes prácticas:

- A a un mantenimiento planificado, le seguirán lubricación e inspección del sistema: consulte las recomendaciones del fabricante.
- B sólo se permitirá realizar mantenimiento, reparaciones, ajustes e inspecciones del equipo a personal formado y autorizado y de acuerdo con las especificaciones del fabricante.

Al elevar el aparato de limpieza de suelos motorizado para reparar o inspeccionar, se elevará con cuidado, de modo seguro y estable. Si se quitan componentes tales como contrapesos o montantes se cambiará el centro de gravedad y puede crear una condición inestable.

Antes de comenzar la inspección y reparación del aparato de limpieza de suelos motorizado:

- A elevar las ruedas del suelo desconectar la batería y usar cuñas u otros mecanismos positivos para para posicionar el camión;
- B bloquear el chasis antes de trabajar en él;
- C desconectar la batería antes de trabajar en el sistema eléctrico;
- D el conector del cargador sólo se enchufará en el conector de la batería y nunca en el conector de la unidad.

La puesta en marcha del aparato de limpieza de suelos motorizado para comprobar el funcionamiento se llevará a cabo en un área autorizada segura.

- A Antes de poner el marcha el equipo:
 - 1 colocar en la posición de funcionamiento;
 - 2 poner el freno;
 - 3 colocar los controles de dirección en posición neutra;
 - 4 poner el interruptor en posición ON;
 - 5 comprobar el funcionamiento de los sistemas de elevación e inclinación, dispositivos de dirección, advertencia y frenos.
- B Antes de dejar el equipo:
 - 1 parar el equipo;
 - 2 colocar el control de dirección en posición neutra;
 - 3 poner el freno de estacionamiento;
 - 4 parar el motor o apagar el interruptor;
 - 5 apagar el circuito de control;
 - 6 si se tiene que dejar el equipo en una inclinación, bloquear las ruedas.

Evitar los riesgos de incendios y tener equipo de protección de incendios en el área de trabajo. No usar llama directa para comprobar el nivel que cualquier fluido, especialmente electrolitos de la batería. No usar recipientes abiertos de fuel o líquidos inflamables de limpieza para las limpiar las piezas.

Ventilar correctamente el área de trabajo, dejar salir humos de escape, y mantener la tienda limpia y seca.

Los frenos, mecanismos de dirección, control, dispositivos de advertencia, luces, re-

guladores, seguridad y protección, topes de eje articulados, y componentes del basididor serán inspeccionados cuidadosamente y con regularidad y se mantendrán en condiciones de funcionamiento seguras.

NORMA DE SEGURIDAD CONTRA INCENDIOS

Cualquier unidad que no esté en un estado de funcionamiento seguro será retirada de servicio.

Sólo se realizarán reparaciones del sistema eléctrico de aparatos de limpieza de suelos a batería cuando esta se haya desconectado.

Temperatura de funcionamiento. Cuando la temperatura de cualquier pieza de un aparato de limpieza de suelos motorizado es superior a la normal y supone un peligro, se retirará el vehículo de servicio y no se volverá a poner en funcionamiento hasta que no se haya solucionado la causa del sobrecalentamiento.

Prevención de incendios. Se mantendrá el equipo limpio y sin pelusas, exceso de aceite y grasa en la medida de lo posible. Es preferible utilizar productos no combustibles para limpiar el equipo. No está permitido utilizar líquidos inflamables [aquellos que tengan puntos de inflamación de o superior a 37,8°C (100°F)]. Se deberá tomar precauciones ante la toxicidad, ventilación e incendios con el producto o disolvente usado.

Visibilidad de la placa identificadora.

Las denominaciones de tipo de equipo se indican en la placa identificadora y no se deben cubrir las marcas de tipo con pintura para que no se vea la información de identificación.

Cambiar y cargar las baterías de almacén.

Esta sección se refiere a las baterías usadas en los vehículos eléctricos. Los dos tipos de baterías más usados son plomo y níquel-hierro. Contienen soluciones químicas corrosivas, como ácido o álcali y, por lo tanto, representan un peligro químico.

Mientras se cargan, emiten hidrógeno y oxígeno, que, en determinadas concentraciones, son explosivos.

La instalación de carga de batería debe estar ubicada en áreas designadas para este fin; dichas áreas deben estar libres de materiales combustibles externos. Se deberán ofrecer lugares para:

- A tirar electrolitos derramados;
- B Protección anti incendios;
- C proteger el cuerpo de carga de daños ocasionados por el vehículo, y
- D ventilación adecuada para dispersión de humos de baterías gaseantes.

Cuando se usan cargadores a bordo, se deberá realizar la recarga en los lugares designados para ello, y se deberán tener en cuenta las exigencias eléctricas del cargador y los servicios de protección anti incendios.

Excepción: No será necesario disponer de servicio de eliminación si se recarga sin re-

tirar la batería del vehículo.

En los casos en que la concentración de ácido es superior al 50% (por encima de 1400 de gravedad específica) se debe suministrar una fuente para lavar los ojos.

Se deberá suministrar un montacargas elevado de transporte, o un dispositivo de manipulación de materiales similar para manipular las baterías.

Los montacargas de cadena deben estar equipados con contenedores de cadena de carga. Cuando se usa un montacargas manual, se cubrirán las baterías descubiertas con una hoja de contrachapado u otro material no conductor para evitar que la cadena manual provoque un cortacircuito en conectores de células o terminales. Se usará una barra esparcidora aislada correctamente con cualquier montacargas elevado. Las baterías reinstaladas o nuevas deberán cumplir o superar el tipo de batería indicado en la unidad. Las baterías reinstaladas deben ser colocadas y aseguradas correctamente en la unidad.

Se suministrará un inclinador de garrafón o sifón cuando se use ácido en garrafrones.

Cuando se diluya ácido sulfúrico concentrado para hacer electrolitos, SIEMPRE se añadirá el ácido al agua, no a la inversa. El personal de mantenimiento de batería utilizará ropa y gafas de seguridad, manga larga y guantes.

Excepción: quitar y sustituir baterías no requiere el uso de ropa de seguridad.

Las instalaciones eléctricas deben cumplir el NFPA 70, el código eléctrico nacional y todas las normativas locales.

Sólo personal formado y autorizado cambiará o cargará las baterías.

Colocar correctamente el aparato de limpieza de suelos motorizado y poner los frenos antes de cambiar o cargar baterías.

Al cambiar baterías, los tapones de ventilación deben estar en su sitio para evitar pulverizar electrolitos. Se debe poner especial cuidado en asegurar que los tapones de ventilación funcionan. La(s) tapa(s) de la batería (o compartimento) deben estar abiertas para dejar salir el calor y el gas.

Está prohibido fumar en la zona de carga. Se deben tomar precauciones para evitar llamas directas, chispas o arcos eléctricos en las zonas de carga de baterías.

Las herramientas y otros objetos metálicos se mantendrán alejados de las partes superiores de las baterías descubiertas.

Estimado cliente:



Antes de poner en marcha por primera vez el aparato, lea el presente manual de instrucciones y siga las instrucciones que figuran en el mismo. Conserve estas instrucciones para su uso posterior o para propietarios ulteriores.

Índice de contenidos

Instrucciones de seguridad	38
Función	38
Uso previsto	38
Protección del medio ambiente, eliminación	38
Elementos de operación y funcionamiento	39
Antes de la puesta en marcha	40
Funcionamiento	41
Cuidado y mantenimiento	44
Averías	45
Accesorios	47
Características técnicas	48
Variante de modelo cargador	48

Instrucciones de seguridad

El equipo está diseñado para funcionar en superficies con una pendiente de hasta 10%.

El aparato sólo se puede poner en funcionamiento cuando el depósito de agua sucia se inclina hacia delante y se cierran todas las tapas.

Dispositivos de seguridad

La función de los dispositivos de seguridad es proteger al usuario y está prohibido ponerlos fuera de servicio y modificar o ignorar su funcionamiento.

Enchufe de la batería/desconexión de emergencia

Para poner fuera de servicio todas las funciones de manera inmediata desenchufar la batería.

Interruptor de seguridad

El interruptor de seguridad apaga el motor de tracción con un retraso de 1,5 segundos, si el operador abandona el asiento durante el funcionamiento.

Símbolos

En este manual de instrucciones se emplean los siguientes símbolos:

Peligro

Indica la presencia de un peligro inminente. El incumplimiento de las indicaciones puede provocar la muerte o lesiones muy graves.

Advertencia

Hace alusión a una situación potencialmente peligrosa. El incumplimiento de las indicaciones puede provocar lesiones leves o daños materiales.

Nota

Muestra consejos de manejo y ofrece información importante.

Función

El aparato sirve para efectuar la limpieza en húmedo o el pulido de pisos llanos.

- Se puede adaptar fácilmente la cantidad de detergente así como la velocidad de conducción a la tarea de limpieza que corresponda ajustando la cantidad de agua, la presión de apriete y la velocidad de los cepillos.
- Un ancho de trabajo de 750 mm (27.5 in) y una capacidad del depósito de agua limpia y agua sucia de 140 l (37 gal) cada uno permiten realizar una limpieza eficaz en aplicaciones largas..
- El aparato conduce automáticamente, el motor de tracción se alimenta con una batería de recipiente.
- Las baterías se puede cargar con el cargador en un enchufe de 120 V.
- La batería y el cargador ya vienen incluidos en las variantes de modelos.

Nota

En función de la tarea de limpieza de que se desee realizar, es posible dotar al aparato de distintos accesorios.

Solicite nuestro catálogo o visítenos en la página de internet www.kaercher.com.

Uso previsto

Utilice el aparato únicamente de conformidad con las indicaciones del presente manual de instrucciones.

- El aparato ha sido concebido exclusivamente para la limpieza de suelos lisos resistentes a la humedad y al pulido.
- El margen de temperaturas de servicio está comprendido entre los +5°C y los +40°C (41°F y los 104°F).
- El aparato no es apto para la limpieza de pisos congelados (p. ej., en almacenes frigoríficos).
- Sólo está permitido dotar al aparato de accesorios y piezas de repuesto originales.
- El aparato ha sido concebido para la limpieza de pisos en interiores o superficies techadas. Para otros campos de aplicación, deberá considerarse el uso de cepillos alternativos.
- El presente aparato no es apto para la limpieza de las vías públicas de tránsito.
- El aparato no se puede utilizar sobre suelos que no resistan la presión. Respete la capacidad máxima de carga por unidad de superficie del piso. La capacidad de carga por unidad del aparato se indica en los datos técnicos.
- El aparato no es apto para el uso en entornos con peligro de explosión.
- Con el aparato no se puede aspirar gases combustibles, ácidos no diluidos ni disolventes.
Como gasolina, diluyentes cromáticos o fuel, que se pueden formar mezclas explosivas con el aire aspirado. Tampoco use acetona, ácidos ni disolventes sin

diluir, ya que atacan a los materiales utilizados en el aparato.

Protección del medio ambiente, eliminación

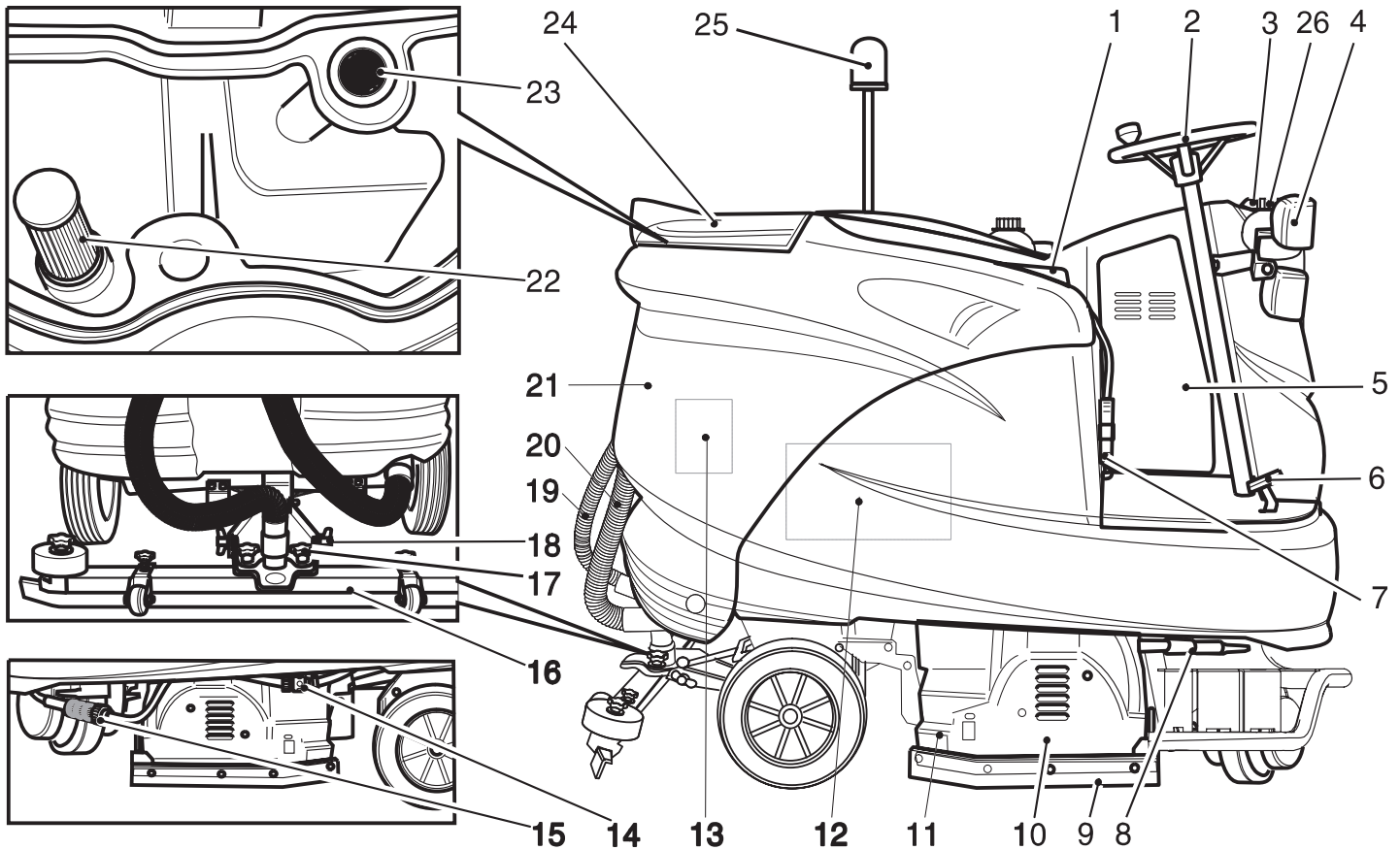


Los materiales de embalaje son reciclables. Por favor, no tire el embalaje al cubo de basura; llévalo a un lugar de reciclaje.



Los aparatos viejos contienen materiales valiosos reciclables que debieran aprovecharse. Evite el contacto de baterías, aceites y materias semejantes con el medioambiente. Deshágase de los aparatos viejos recurriendo a sistemas de recogida apropiados.

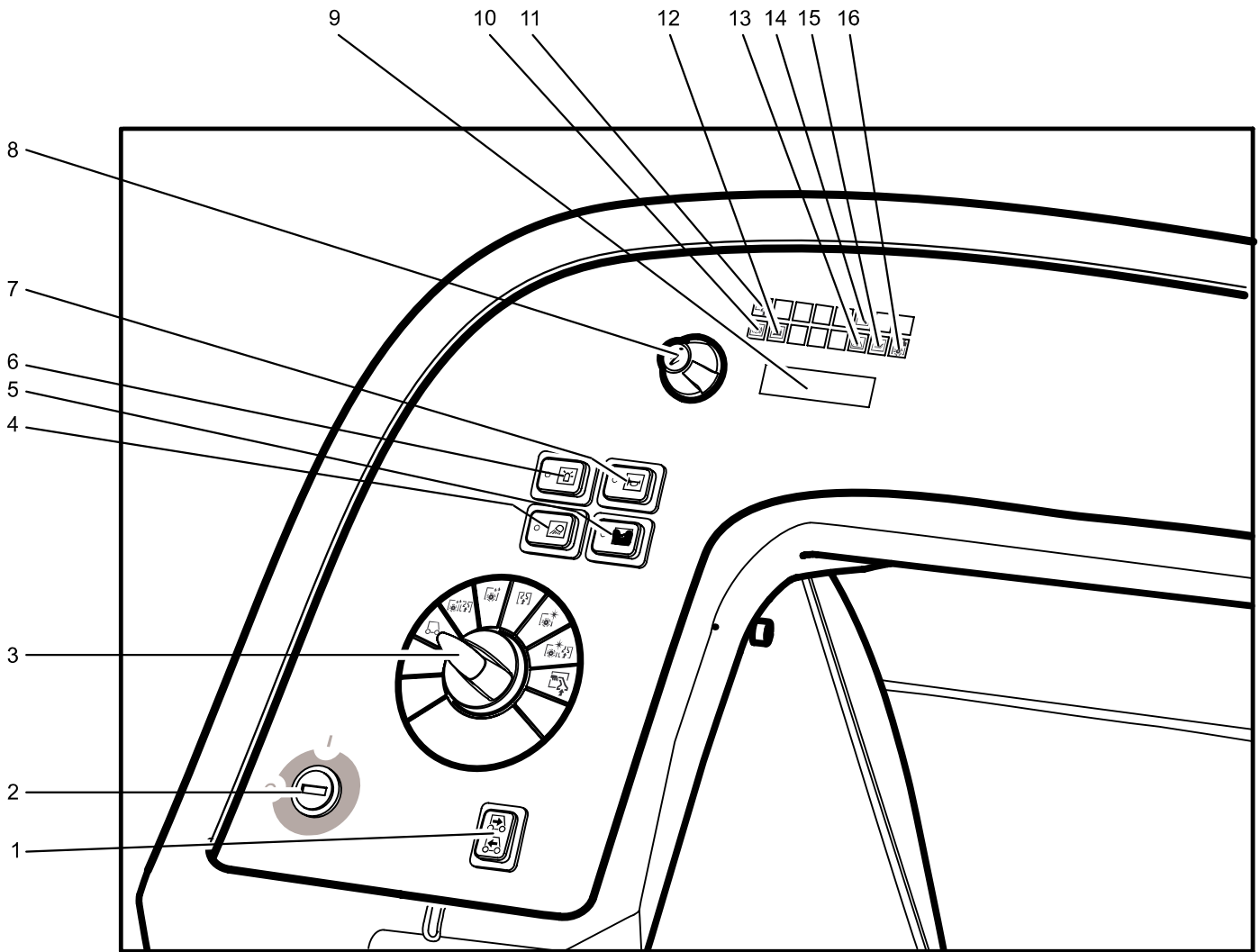
Elementos de operación y funcionamiento



- 1 Asiento (con interruptor de seguridad)
- 2 Volante
- 3 Cierre del depósito de agua limpia
- 4 Luz (opcional)
- 5 Electrónica/mando
- 6 Pedal acelerador
- 7 Enchufe de la batería/desconexión de emergencia
- 8 Conmutación modo reciclaje/agua limpia (opcional)
- 9 Labio de secado
- 10 Cabezal limpiador
- 11 Depósito de partículas gruesas (sólo SP)
- 12 Batería
- 13 turbina de aspiración
- 14 Acoplamiento para mangueras para purgar el agua limpia
- 15 Filtro de agua limpia
- 16 Barra de aspiración *
- 17 Mango en cruz para fijar la barra de aspiración
- 18 Tuercas de mariposa para inclinar la barra de aspiración
- 19 manguera de aspiración
- 20 Manguera de salida de agua sucia
- 21 depósito de agua sucia
- 22 Filtro de reciclaje (opcional)
- 23 filtro de pelusas
- 24 Tapa del depósito de agua sucia
- 25 Luz giratoria omnidireccional (opcional)
- 26 2,5 l de detergente

* no incluido en el volumen de suministro

Pupitre de mando



- 1 Interruptor de dirección
- 2 Interruptor de llave
- 3 Programador
- 4 Interruptor de iluminación de trabajo (opcional)
- 5 Interruptor del dispositivo dosificador de detergente
- 6 Interruptor de luz giratoria omnidireccional (opcional)
- 7 claxon
- 8 Botón de información
- 9 anuncio
- 10 Piloto de control de freno de estacionamiento automático activo
- 11 Piloto de control programa de limpieza manual activo
- 12 Piloto de control vigilancia de baterías
- 13 Piloto de control averías
- 14 Piloto de control revisión
- 15 Piloto de control depósito de agua sucia lleno
- 16 Piloto de control sobrecarga cepillo

Antes de la puesta en marcha

Baterías

Al manipular baterías, tenga siempre en cuenta las siguientes advertencias:

	<i>Tenga en cuenta las indicaciones presentes en la batería, en las instrucciones de uso y en el manual del vehículo.</i>
	<i>Use protección para los ojos</i>
	<i>Mantenga a los niños alejados del ácido y las baterías</i>
	<i>Peligro de explosiones</i>
	<i>Prohibido hacer fuego, producir chispas, aplicar una llama directa y fumar</i>
	<i>Peligro de causticación</i>
	<i>Primeros auxilios</i>

	<i>Nota de advertencia</i>
	<i>Eliminación de desechos</i>
	<i>No tire la batería al cubo de la basura</i>

⚠ Peligro

Peligro de explosiones. No coloque herramientas u otros objetos similares sobre la batería, es decir, sobre los terminales y el conector de elementos.

Peligro de lesiones. No deje nunca que el plomo entre en contacto con las heridas. Luego de trabajar con las baterías, límpiese siempre las manos.

Colocar la batería y cerrar

- ➔ Desplace el depósito de agua hacia atrás.
- ➔ Colocar la batería en la cubeta.

⚠ Advertencia

Asegúrese de colocar la polaridad correctamente.

- ➔ Enganchar el cable de conexión suministrado al polo de batería libre (+) y (-).
- ➔ Desplace el depósito de agua hacia delante.

⚠ Advertencia

Cargar la batería antes de poner el aparato en funcionamiento.

Carga de batería

Nota

El aparato dispone de una protección de descarga total, es decir, cuando se alcance la capacidad mínima permitida, el aparato sólo se podrá conducir y, si procede, encender la iluminación disponible. En el pupitre de manejo se ilumina el indicador del estado de la batería en rojo.

→ Conducir el aparato directamente a la estación de carga, evitar subidas.

Nota

Si se usan otras baterías (p. ej. de otros fabricantes), el servicio técnico autorizado tiene que ajustar de nuevo la protección de descarga total para la batería en cuestión.

⚠ Peligro

Peligro de lesiones por descarga eléctrica. Tenga en cuenta la línea eléctrica y la protección por fusible, véase "Cargador".
¡Utilice el cargador únicamente en cuartos secos dotados de suficiente ventilación!

Nota

El tiempo de carga dura aproximadamente 10 horas.

Los cargadores recomendados (adaptados a las baterías que se usen) se regulan electrónicamente y finalizan el proceso de carga automáticamente.

⚠ Peligro

Peligro de explosiones. Sólo está permitido cargar baterías húmedas con el capó abierto.

→ Vacíe el depósito de agua sucia.

→ Desplace el depósito de agua sucia hacia atrás.

→ Extraer el enchufe de la batería y conectarlo con el cable de carga.

→ Conecte el cargador a la red y enciéndalo.

Después del proceso de carga

→ Apagar el cargador y desenchufar.

→ Separar el cable de la batería del cable de carga y conectar con el aparato.

Baterías que no requieren mantenimiento (baterías húmedas)

→ Una hora antes de que se acabe el proceso de carga, añadir agua destilada, tener en cuenta el nivel de ácido correcto. La batería está marcada de la forma correspondiente. Al final del proceso de carga, los elementos tienen que desprender gas.

⚠ Peligro

¡Peligro de causticación!

– Rellenar con agua cuando la batería está descargada puede provocar una salida de ácido.

– Cuando trate con ácido de baterías, lleve siempre unas gafas de seguridad y respetar las normas, para evitar lesiones y daños a la ropa.

nes y daños a la ropa.

– Lavar inmediatamente con mucha agua las posibles salpicaduras de ácido sobre la piel o la ropa.

⚠ Advertencia

¡Peligro de daños en la instalación!

– Utilizar únicamente agua destilada o desalada (VDE 0510) para rellenar las baterías.

– No utilizar más sustancias (los llamados agentes de mejora), de lo contrario desaparecerá la garantía.

Dimensiones máximas de la batería

Longitud	Anchura	Altura
622 mm (24.4 in)	353 mm (13.8 in)	379 mm (14.9 in)

Si se colocan baterías húmedas en el modelo BAT, se debe tener en cuenta lo siguiente:

- Se deben respetar las dimensiones máximas de la batería.
- Al cargar baterías húmedas, el asiento tiene que estar inclinado hacia arriba.
- Al cargar baterías húmedas se tienen que respetar las normativas del fabricante de baterías.

Descarga

Nota

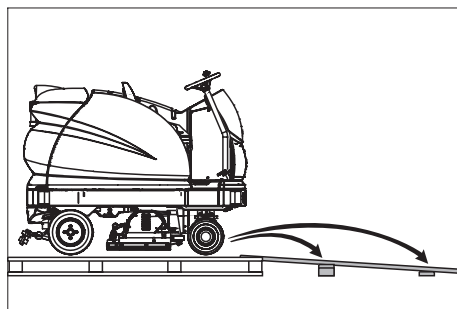
Para poner fuera de servicio todas las funciones de manera inmediata desconectar el enchufe rojo de la batería.

→ Corte la cinta de embalaje de plástico y retire la lámina.

→ Quite la cinta de sujeción ubicada en los puntos de enganche.

→ Las cuatro tablas de suelo marcadas del palet están sujetas mediante tornillos. Desatornille dichas tablas.

→ Coloque las tablas sobre el borde del palet. Verifique que queden ubicadas delante de las ruedas del equipo. Fije las tablas con los tornillos.



→ Coloque las vigas incluidas en el embalaje debajo de la rampa a modo de soporte.

→ Retire los tacos de madera destinados al bloqueo de las ruedas y colóquelos debajo de la rampa.

→ Conectar el enchufe de la batería.

→ Coloque el interruptor de llave en la posición "0".

→ Pulsar el interruptor de dirección y bajar lentamente el aparato de la rampa.

→ Coloque el interruptor de llave en la posición "0".

Montaje de los cepillos

Saber Glide 30

Antes de la puesta en servicio, se tienen que montar las escobillas de disco (véase "Trabajos de mantenimiento").

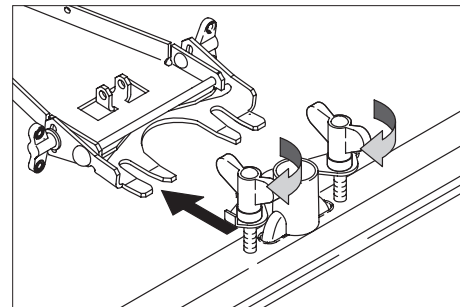
Saber Glide 30 SP

Los cepillos están montados.

Montaje de la barra de aspiración

→ Coloque la barra de aspiración en su soporte de modo que la chapa perfilada quede por encima del soporte.

→ Ajustar bien los mangos en cruz.



→ Coloque la manguera de aspiración.

Funcionamiento

Nota

Para poner fuera de servicio todas las funciones de manera inmediata desconectar el enchufe rojo de la batería.

Para familiarizarse con el aparato, llevar a cabo los primeros intentos de operación en un lugar libre.

Comprobar el freno de estacionamiento

⚠ Peligro

Peligro de accidentes. Antes de cada uso se tiene que comprobar el funcionamiento del freno de estacionamiento en una superficie llana.

→ Tomar la posición de asiento.

→ Coloque el interruptor de llave en la posición "0".

→ Seleccionar la dirección.

→ Pulsar ligeramente el pedal acelerador.

Se debe oír como el freno se desbloquea (desaparece el piloto de control del freno de estacionamiento en el pupitre de control).

El aparato tiene que rodar ligeramente en una superficie llana. Si se suelta el pedal, se oír el freno. Si esto no sucede se debe poner el aparato fuera de servicio y llamar al servicio técnico.

Freno

⚠ Peligro

Peligro de accidentes. Si el aparato no muestra signos de frenar, proceder de la siguiente forma:

→ Por razones de seguridad del enchufe de batería en relación con la función de desconexión de emergencia, si el aparato no se para al soltar el acelerador

frente a una inclinación de más de 2%, sólo se puede pulsar la tecla de desconexión de emergencia si se ha comprobado el correcto funcionamiento mecánico del freno de estacionamiento antes de cada puesta en marcha.

- En niveles de menos de 2% se debe desenchufar la batería en cualquier caso.
- ¡Se debe poner el aparato fuera de servicio una vez parado (en una superficie llana) y se debe llamar al servicio técnico!
- También se deben respetar las indicaciones de mantenimiento de los frenos.

Conducción

⚠ Peligro

Peligro de vuelco ante pendientes demasiado acentuadas.

- En la dirección de marcha sólo se admiten pendientes de hasta 10%.

Peligro de vuelco al tomar las curvas a velocidad rápida.

Peligro de deslizamiento en suelos mojados.

- Tome las curvas a baja velocidad.
- Peligro de vuelco ante una base inestable.*
- Mueva el aparato únicamente sobre una base firme.

Peligro de vuelco ante una inclinación lateral demasiado pronunciada.

- En sentido transversal a la marcha sólo se admiten pendientes de hasta 10%.

Nota

El aparato se debe montar de forma que el cabezal del cepillo sobresalga por la derecha. Esto permite trabajar de forma clara y junto al borde.

- 'Siéntese y coloque el interruptor de llave en la posición "0".
- Ajustar la dirección con el interruptor de dirección en el pupitre de control.
- Determinar la velocidad de marcha con el pedal acelerador.
- Detenga el aparato: Soltar el pedal de maniobra.

Nota

Durante la marcha también se puede cambiar la dirección. De esta manera puede avanzar y retroceder en zonas que haya que limpiar y estén muy sucias.

Sobrecarga

En caso de sobrecarga, el motor se apaga tras un tiempo determinado. En la pantalla aparece una avería.

En caso de que el control de sobrecalentamiento se apagará el elemento en cuestión.

- Dejar enfriar el aparato al menos durante 15 minutos.
- Coloque el interruptor de llave en la posición "0".
- Espere un poco.
- Coloque el interruptor de llave en la posición "0".

Adición de combustibles

detergente

⚠ Advertencia

Peligro de daños en la instalación. Utilice únicamente el detergente recomendado. En caso de usar otros detergentes, el propietario-usuario asume unos mayores riesgos en lo que a la seguridad durante el funcionamiento y al peligro de sufrir accidentes se refiere. Utilice únicamente detergentes que no contengan disolventes, ácidos clorhídricos ni ácidos hidrofúoricos.

Nota

No utilice detergentes altamente espumosos.

Agua limpia

- Abra la tapa del depósito de agua limpia.
- Rellenar con agua fresca (máximo 60°C (140°F)) hasta 15 cm (6 in) por debajo del borde superior del depósito.
- Adición de detergente.
- Cierre la tapa del depósito de agua limpia.

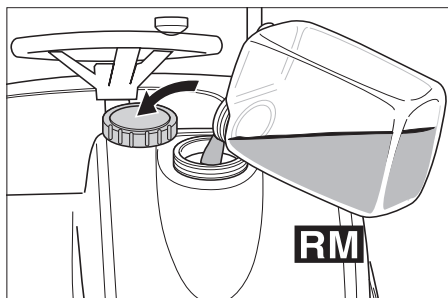
Nota

Antes de la primera puesta en marcha, rellenar totalmente el depósito de agua fresca para ventilar el sistema de tuberías de agua.

Trabajar sin dispositivo automático dosificador de detergente

Al realizar trabajos de limpieza en el área higiénica (p. ej. hospitales, establecimientos de alimentación) y para realizar limpiezas básicas de suelos muy sucios.

- Abra el cierre del depósito de agua limpia.
- Llenar con agua limpia (máximo 60°C (140 °F)) hasta el borde inferior de la boca de llenado.
- Añadir detergente. Observar las indicaciones de dosificación.



- Cierre la tapa del depósito de agua limpia.

Dispositivo dosificador de detergente

Un dispositivo dosificador añadirá detergente al agua fresca el tramo al cabezal de limpieza.

⚠ Advertencia

Riesgo de daños del dispositivo dosificador. No se puede añadir detergente en el

depósito de agua limpia.

Nota

El dosificador permite introducir como máximo una dosis de detergente del 3%.

- Colocar el frasco de detergente en el soporte delante en el depósito de agua limpia.
- Desenroscar la tapa del frasco.
- Introducir el tubo de absorción del dispositivo dosificador en el frasco. Procurar que el tamiz de la manguera de aspiración esté colocada sobre el fondo de la botella.
- Cerrar la botella con la tapa del dispositivo de dosificación.

El nivel de la botella se puede ver a través de la mirilla vertical.

Si el nivel del detergente se acerca al fondo de la botella:

- rellenar o cambiar la botella de detergente.

⚠ Advertencia

Si hay que cambiar el tipo de detergente, se debe enjuagar antes y completamente la manguera de succión con agua limpia (durante 60 segundos con el máximo caudal y 3% de la dosis), para evitar reacciones químicas.

Nota

Si se vacía totalmente la botella de detergente, se debe operar el dispositivo dosificador durante 60 segundos con el máximo caudal de agua y 3% de la dosis, para volver a llenar la manguera de succión completamente con detergente.

Nota

Al rellenar o cambiar la botella de detergente, colgar la manguera de aspiración del dispositivo de dosificación en el depósito de agua limpia abierto, para que no gotee detergente al suelo.

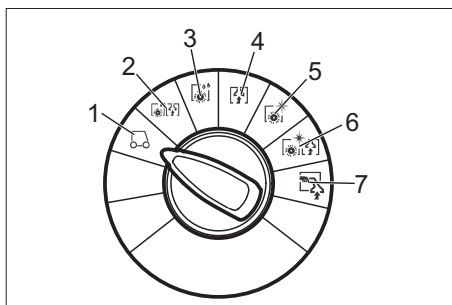
Nota

Si el depósito de agua fresca está vacío se interrumpe la dosificación de detergente. El cabezal de limpieza no sigue funcionando sin líquido.

Nota

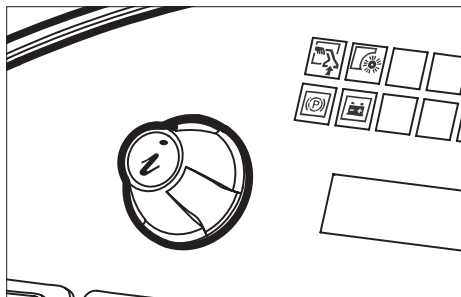
Tan pronto como la bomba de detergente funciona, aparece una "C" parpadeante en la pantalla.

Programas de limpieza



- 1 **Conducción**
Conducir hasta el lugar de empleo.
- 2 **Aspiración-fregado**
Limpiar en húmedo del suelo y aspirar el agua sucia.
- 3 **Fregado en húmedo**
Limpiar en húmedo del suelo y dejar actuar al detergente.
- 4 **Aspirar**
Aspire la suciedad.
- 5 **Pulir**
Pulir el suelo sin emplear líquidos.
- 6 **Aspiración-fregado sin aplicar agua (aspirar-pulir)**
Pulir el suelo sin aplicar líquido y aspirar el polvo de pulir.
- 7 **Limpieza manual**
Aplicar el detergente líquido con la boquilla para suelos para paredes y techos (opcional) y aspirar de nuevo.

Botón de información



Con el botón de información se seleccionan los puntos del menú y se ajustan las configuraciones.

- Giro derecha/izquierda avanza por los menús de adelante/atrás.
- Si se pulsa se confirma la configuración seleccionada.

Configuraciones

En el menú de usuario se aplican los ajustes de los diversos programas de limpieza. Según el programa de limpieza, se pueden configurar distintos parámetros. Los ajustes se aplican con el botón de información.

Menú de control

- ➔ El pulsador de parada de emergencia, se desbloquea girándolo.
- ➔ 'Siéntese y coloque el interruptor de llave en la posición "0".
La pantalla muestra en nivel de carga de la batería y el nivel de agua limpia.

- ➔ Seleccionar el programa de limpieza.
- ➔ Acceder al menú de control girando el botón de información.
- ➔ Seleccionar el parámetro deseado girando el botón de información. El valor ajustado actualmente aparece como barra.
- ➔ Pulsar el botón de información, el indicador de barra parpadeará.
- ➔ Ajustar de nuevo el parámetro girando en botón de información entre "min" y "max".
- ➔ Confirmar la configuración pulsando el botón de información o esperar hasta que se acepte el valor automáticamente.

Nota

Si no se modifica el parámetro seleccionado durante 10 segundos, se vuelve a la pantalla del nivel de batería y agua limpia. Los mismos parámetros de limpiezas se pueden ajustar de forma individual en cada programa de limpieza.

La presión de apriete del cepillo se puede ajustar sólo con el aparato en funcionamiento en los programas de aspiración-fregado, fregado en húmedo, pulir o aspirar-pulir.

Se memorizan todas las configuraciones también cuando el aparato no recibe corriente.

Reestablecer los parámetros

- ➔ En el menú de control, seleccionar el punto "¿Aceptar los valores por defecto?" girando el botón de información.
- ➔ Pulsar el botón de información. Se reestablece la configuración de fábrica de todos los parámetros para cada programa de limpieza.

Parámetros ajustables	min:pa-so:max	Nota
caudal de agua	1:1:8	1=min., 8=max.
Dosificación de detergente	0,5%:0,5%:3%	0,5=min., 3=max.
Presión de cepillo	0:1:8	0=min., 8=max.
FACT (nº de rotaciones de los cepillos)	-	Power-, Whisper-, Fine Clean
Tiempo de funcionamiento del cepillo tras la parada	0s:1s:3s	Desde parar hasta levantar
Velocidad de trabajo	1:1:8	1=1km/h (0.6 mph), 8=6km/h (3.7 mph)

En la tabla de abajo se indica la configuración de fábrica de los parámetros de los programas de limpieza. Si no se han introducido valores, el parámetro correspondiente no puede ajustarse en el programa de limpieza indicado.

Valores de fábrica

	caudal de agua	Presión de cepillo	Velocidad de trabajo
Aspiración-fregado	5	4	4
Fregado en húmedo	5	4	4
Aspiración en seco	-	-	4
Pulir	-	4	4
Aspirar-pulir	-	4	4

	Dosificación de detergente	FACT (nº de rotaciones de los cepillos)	Tiempo de funcionamiento del cepillo
Aspiración-fregado	1%	p	2s
Fregado en húmedo	1%	p	2s
Pulir	-	p	0s
Aspirar-pulir	-	p	0s

P=Power Clean

Encender el dispositivo dosificador de detergente

- ➔ Confirmar el interruptor del dispositivo dosificador de detergente
El detergente se dosifica automáticamente.

Nota

La dosificación de detergente se puede ajustar en el menú de control.

Nota

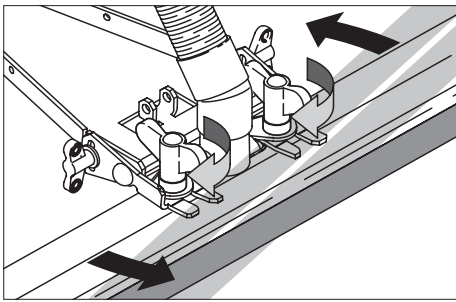
Tan pronto como la bomba de detergente funcione, aparece una "C" parpadearante en la pantalla.

Ajuste de la barra de aspiración

Posición en diagonal

Para mejorar el resultado de la aspiración en pavimentos alicatados, se puede girar la barra de aspiración hasta una posición en diagonal de 5°.

- ➔ Soltar los mangos en cruz.
- ➔ Gire la barra de aspiración.

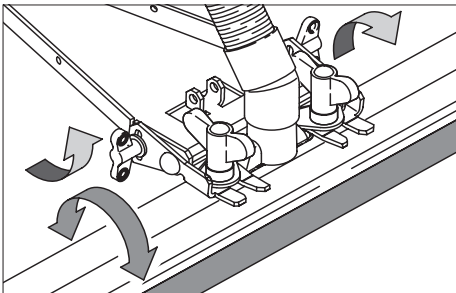


- Ajustar bien los mangos en cruz.

Inclinación

Si el resultado de la aspiración no resulta satisfactorio, se puede modificar la inclinación de la barra de aspiración recta.

- Suelte las tuercas de mariposa.
- Inclíne la barra de aspiración.



- Apriete las tuercas de mariposa.

Vacíe los depósitos.

Purgue el agua sucia

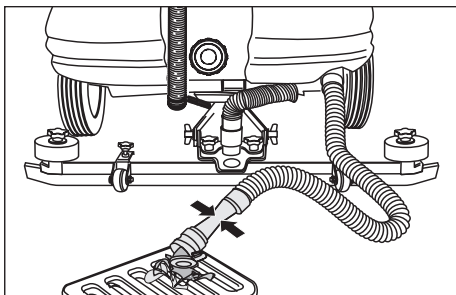
Nota

Rebose del depósito de agua sucia. Si el depósito de agua sucia está lleno, se enciende la turbina de aspiración y parpadea el piloto de control "Depósito de agua sucia lleno". Todos los programas de limpieza con aspiración están bloqueados durante un minuto. Vacíe el depósito de agua sucia.

⚠ Advertencia

Respete la normativa local vigente en materia de tratamiento de aguas residuales.

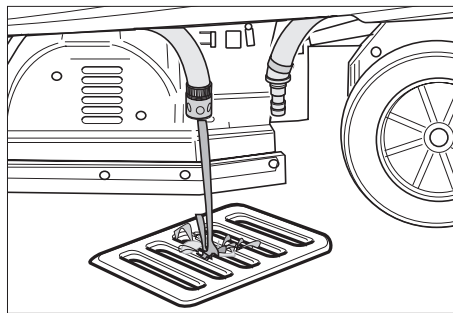
- Retire del soporte la manguera de salida y bájela mediante un mecanismo recolector adecuado.



- Purgue el agua sucia a través del orificio del dosificador situado en la manguera de salida.
- Aclare el depósito de agua sucia con agua limpia.

Purgar el agua limpia

- Separar el acoplamiento de mangueras para purgar el agua limpia y sujetar sobre un dispositivo recolector apto.



Transporte

⚠ Peligro

Peligro de lesiones Para las funciones de carga y descarga, el aparato sólo admite pendientes de hasta 10%. Conducir lentamente.

- Para el transporte sobre un vehículo, fije el aparato para impedir que resbale con cinturones de sujeción/cuerdas.

Saber Glide 30

- Retirar las escobillas de disco de la cabeza del cepillo.

Conservación y mantenimiento

⚠ Peligro

Peligro de lesiones Antes de realizar cualquier tipo de trabajo en el aparato colocar el interruptor de llave a „0“ y quitar la llave. Desconecte la clavija del batería.

Nota

La turbina de aspiración sigue funcionando brevemente apagar. Realizar trabajos de mantenimiento cuando la turbina de aspiración cuando esté parada.

- Purgue el agua sucia y el agua limpia sobrante y elimínala.

Plan de mantenimiento

Después de cada puesta en marcha

⚠ Advertencia

Peligro de daños en la instalación. No salpique al aparato con agua ni utilice detergentes agresivos.

- Purgue el agua sucia.
- Aclare el depósito de agua sucia con agua limpia.
- Compruebe el filtro de pelusas; en caso necesario, límpielo.
- Sólo la variante SP. Extraer el depósito de partículas gruesas de suciedad y vaciar.
- Limpie el aparato por fuera con un trapo húmedo ligeramente empapado en una solución jabonosa suave.
- Limpie los labios de aspiración y los labios de secado; compruebe si presentan desgaste y, en caso necesario, cámbielos.
- Compruebe si los cepillos presentan desgaste y, en caso necesario, cámbielos.
- Cargue la batería.

Mensualmente

- Comprobar si los polos de la batería están oxidados, si es necesario cepillar y lubricar con lubricante para polos. Cerciorarse del asiento firme y correcto del cable de conexión.
- Limpie las juntas situadas entre el depósito de agua sucia y la tapa; compruebe su estanqueidad y, en caso necesario, cámbielas.
- Compruebe el funcionamiento del freno de ajuste automático.
- En el caso de baterías que requieran mantenimiento, comprobar la estanqueidad al ácido de los elementos.
- Limpiar el canal de los cepillos (sólo la variante SP).

Anualmente

- Encargue al servicio técnico la revisión anual obligatoria.

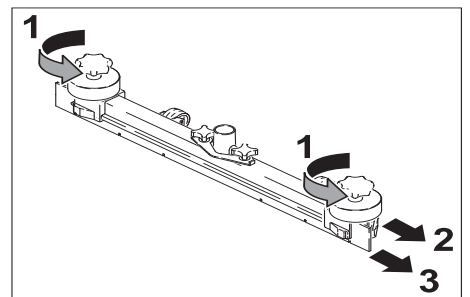
Trabajos de mantenimiento

contrato de mantenimiento

Para garantizar el funcionamiento seguro del aparato, es posible firmar contratos de mantenimiento con el departamento comercial correspondiente de Windsor.

Recambio de los labios de aspiración

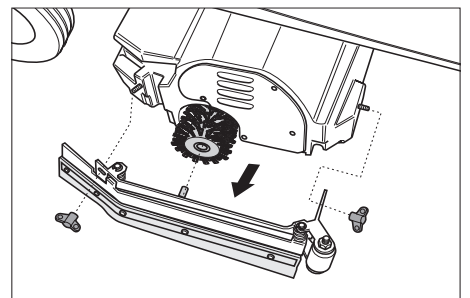
- Retire la barra de aspiración.
- Soltar los mangos en cruz.



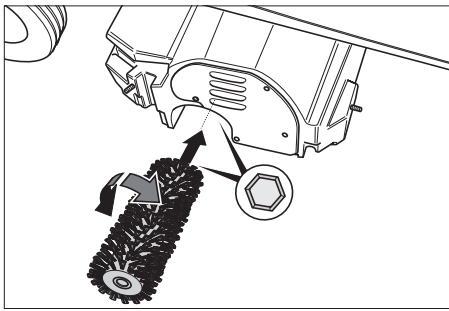
- Retire las piezas de plástico.
- Retire los labios de aspiración.
- Introduzca los labios de aspiración nuevos.
- Coloque las piezas de plástico.
- Ajustar bien los mangos en cruz.

Recambio del cepillo cilíndrico

- Suelte las tuercas de mariposa.
- Quitar la tapa del cojinete.



- Extraer el cepillo rotativo, colocar uno nuevo (tener en cuenta los alojamiento hexagonales del cepillo rotativo).



Nota

En la parte interior de la cubierta está indicada la distribución de fusibles.

Indicación de averías

La pantalla indica las averías actuales en un ciclo de 4 segundos (ejemplo:

avería frotar
función H1/022

Si siguen apareciendo los fallos tras 4 segundos en la pantalla, proceder de la siguiente manera:

- Coloque el interruptor de llave en la posición "0".
 - esperar hasta que desaparezca el texto de la pantalla.
 - Coloque el interruptor de llave en la posición "0".
- Cuando aparezca de nuevo el fallo, seguir las medidas de solución correspondiente en el orden indicado. Para ello se debe poner el interruptor de llave en la posición "0" y desenchufar la batería.
- Si no se soluciona el fallo, llamar al servicio de atención al cliente e indique el código de fallo (en el ejemplo H1/022).

- Colocar la tapa del cojinete.
- Apriete las tuercas de mariposa.
- Repetir el proceso con el lateral opuesto.

Recambio de las escobillas de disco

- Levante las escobillas de disco.
- Gire las escobillas de disco aprox. 45°.
- Retire las escobillas de disco por debajo.
- Coloque las nuevas escobillas de disco siguiendo los mismos pasos en el orden inverso.

Protección antiheladas

En caso de peligro de heladas:

- Vacíe el depósito de agua limpia y el depósito de agua sucia.
- Guarde el aparato en un lugar protegido de las heladas.

Averías

⚠ Peligro

Peligro de lesiones Antes de realizar cualquier tipo de trabajo en el aparato colocar el interruptor de llave a „0“ y quitar la llave.

Desconecte la clavija del batería.

- Purgue el agua sucia y el agua limpia sobrante y elimínela.

Cuando las averías no se puedan solucionar con ayuda de la tabla que aparece a continuación, acuda al servicio técnico.

Cambiar los fusibles

El operario sólo puede sustituir los fusibles planos de coche con los siguientes valores:

- 7,5A (F1) – Suministro de control y energía de emergencia.
- 30A (F4) – Suministro de carrera/módulo de accesorios.

Nota

Los fusibles defectuosos (F2, F3) sólo pueden ser cambiados por el servicio de atención al cliente. Si estos fusibles están defectuosos, el servicio de atención al cliente debe comprobar las condiciones de aplicación y todo el control.

El mando se encuentra debajo del pupitre de mando. Para acceder a los fusibles, se tiene que retirar primero la cubierta situada en el lado izquierdo del espacio para los pies.

- Desenroscar el tornillo de fijación en el extremo superior de la cubierta.
- Extraer la cubierta.
- Cambiar fusible.
- Colocar la cubierta.

Averías con indicación en pantalla

Indicación en pantalla	Causa	Modo de subsanarla	
Interruptor de asiento interrumpido	seat switch open	El interruptor de contacto del asiento no está activado.	El aparato sólo trabaja si el operario se encuentra en la posición de asiento.
¡Soltar el pedal acelerador!	release throttle?	Al encender el interruptor de llave, el pedal acelerador está pulsado.	Antes de encender el interruptor de llave, soltar el pedal acelerador. Si sigue produciéndose el fallo, acuda al servicio técnico.
Batería vacía -> ¡cargar!	battery empty -> charge!	Se ha alcanzado la tensión final de descarga de la batería. No se pueden poner en funcionamiento los mecanismos de limpieza. Se puede activar el accionamiento de traslación y la iluminación.	Desplazar el aparato hasta la estación de carga y cargar la batería.
Batería descargada totalmente	battery totally discharged!	Se ha cogido más de la capacidad de batería permitida. Se apagarán todos los mecanismos. La máquina ya no está lista para el funcionamiento.	El freno de la rueda delantera se debe desbloquear manualmente. (¡Atención! ¡el aparato no muestra signos de frenar!). Si no se puede desbloquear, llamar al servicio de atención al cliente. Desplazar el aparato a la estación de carga. Cargue la batería.
Si el depósito de agua sucia está lleno para la limpieza.	sewage tank full cleaning stops	El depósito de agua sucia está lleno.	Vacíe el depósito de agua sucia.
¡Horas de servicio a 0!	operating hours set to 0!	Fallo interno del aparato al memorizar las horas de servicio. Al realizar un nuevo inicio se ponen todas las horas de servicio a 0.	Ninguna, para información.
¡Control caliente! ¡Dejar enfriar!	moduletemp. high let cool down!	El control está demasiado caliente.	Coloque el interruptor de llave en la posición "0". Espere por lo menos 10 minutos. Coloque el interruptor de llave en la posición "0".
¡Motor de tracción caliente! ¡Dejar enfriar!	drive motor hot! let cool down!	El motor de tracción se sobrecalienta por un desplazamiento inclinado o si el freno está bloqueado.	Coloque el interruptor de llave en la posición "0". Espere por lo menos 10 minutos. Coloque el interruptor de llave en la posición "0". Siempre que sea posible, conduzca el equipo sólo por una superficie llana. Si es necesario comprobar el freno de estacionamiento y el pedal acelerador.
¡Contactor abierto!	contactor open!!	Fallo en el control.	Coloque el interruptor de llave en la posición "0". Espere por lo menos 10 segundos. Coloque el interruptor de llave en la posición "0".
Desconexión, falta el suministro de bus	Shutdown, missing bus supply		Avisar al servicio técnico.

Averías sin indicación en pantalla

Avería	Modo de subsanarla
No se puede poner en marcha el aparato	Conectar el enchufe de la batería.
	Coloque el interruptor de llave en la posición "0".
	Comprobar el fusible F1, si es necesario cambiar. *
	Comprobar la batería, si es necesario recargar.
Caudal de agua insuficiente	Compruebe el nivel de agua limpia y, de ser necesario, llene el depósito.
	Comprobar si los tubos están atascados, si es necesario limpiar.
	Limpiar el filtro de agua limpia.
Potencia de aspiración insuficiente	Limpiar las juntas situadas entre el depósito de agua sucia y la tapa; compruebe su estanqueidad y, en caso necesario, cámbielas
	Limpiar el filtro plano de papel plegado situado en el soporte de absorción de la turbina de absorción.
	Limpiar los labios de aspiración de la barra de aspiración y, en caso necesario, cámbielos
	Comprobar si los tubos de aspiración están atascados, si es necesario limpiar.
	Compruebe si el tubo de aspiración está hermético y, en caso necesario, cámbielo.
	Compruebe si está cerrada la tapa de la manguera de salida de agua sucia.
	Compruebe el ajuste de la barra de aspiración.
Resultados de limpieza insuficientes	Ajustar la presión de apriete.
	Compruebe si los cepillos presentan desgaste y, en caso necesario, cámbielos.
Los cepillos no giran	Reducir la presión de apriete.
	Compruebe si hay cuerpos extraños bloqueando los cepillos y, de ser así, elimínelos.
La luz giratoria omnidireccional opcional y/o luz de trabajo no se ilumina	Comprobar el fusible F4, si es necesario cambiar. *

* Los fusibles se encuentran en los zócalos de clavija plano en la placa de cableado y se puede acceder a ellos tras abrir la cubierta.

Accesorios

denominación	Pieza nº Saber Glide 30 SP	Descripción	Unidad	El aparato necesita la pieza
Cepillo rotativo, blanco (suave)	6.906-496	Para pulido y limpieza de mantenimiento de pavimentos delicados.	1	2
Cepillo rotativo, rojo (medio, estándar)	5.762-285	También para limpieza de mantenimiento de suelos muy sucios.	1	2
Cepillo rotativo, naranja (alto/profundo)	6.906-495	Para frotar pavimentos con estructura (alicatado de seguridad etc.)	1	2
Cepillo rotativo, verde (duro)	6.906-494	Para limpiezas a fondo de pavimentos muy sucios y para decapar (como ceras, acrilatos).	1	2
Cepillo rotativo, negro (muy duro)	6.906-497		1	2
Eje de cilindro pad	4.762-316	Para alojamiento del pad del cilindro.	1	2
Pad del cilindro, blanco (muy suave)	6.369-389		20	2
Pad del cilindro, amarillo (suave)	6.369-454	Para pulir pavimentos.	20	2
Pad del cilindro, rojo (medio)	6.369-456	Para limpiar pavimentos ligeramente sucios.	20	2
Pad del cilindro, verde (duro)	6.369-455	Para limpiar pavimentos de suciedad normal hasta grande.	20	2
Borde de goma cabezal de trabajo para suelos	5.394-640	Estándar	1	2
Borde de goma cabezal de trabajo para suelos	5.394-754	extra resistente al desgaste	1	2

denominación	Pieza nº Saber Glide 30	Descripción	Unidad	El aparato necesita la pieza
Escobilla de disco, natural (suave)	6.369-492	Para pulir pavimentos.	1	2
Escobilla de disco, rojo (medio, estándar)	6.906-346	Para limpiar pavimentos de poca suciedad o delicados.	1	2
Cepillo de disco, negro (duro)	6.906-491	Para limpiar pavimentos muy sucios.	1	2
platillo motriz	6.906-493	Para alojamiento del pad.	1	2
Pad del disco, rojo (medio)	6.369-791	Para limpiar pavimentos ligeramente sucios.	5	2
Pad del disco, verde (duro)	6.369-790	Para limpiar pavimentos muy sucios.	5	2
Pad del disco, negro (muy duro)	6.369-789	Para limpiar pavimentos muy sucios.	5	2
Borde de goma, gris	6.273-214	Estándar	20	2
Borde goma, resistente al aceite	6.273-208	resistente al aceite	20	2
Barra de aspiración, recta	4.777-049	Estándar	1	1
Barra de aspiración, doblado	4.777-056	Estándar	1	1
Borde de goma cabezal de trabajo para suelos	5.394-640	Estándar	1	2
Borde de goma cabezal de trabajo para suelos	5.394-754	extra resistente al desgaste	1	2

Equipos accesorios

Equipo accesorio aspiración de pulverización	2.640-186	facilita la limpieza en zonas de difícil acceso.
Equipo accesorio modo de reciclaje	2.640-201	prolonga el funcionamiento sin repostar.
Equipo accesorio luz giratoria omnidireccional	2.640-108	
Equipo accesorio luz de trabajo	2.640-109	
Equipo accesorio respaldo	2.640-681	

Datos técnicos

		Saber Glide 30 SP	Saber Glide 30
Potencia			
Tensión nominal	V	24	
Capacidad de batería	Ah (5h)	240	
Consumo medio de potencia	W	2100	
Potencia de motor de tracción (potencia nominal)	W	600	
Potencia del motor de aspiración	W	800	
Potencia del motor de barrido	W	2x 600	
Aspirar			
Potencia de aspiración, caudal de aire	l/s (gpm)	28 (443)	
Potencia de aspiración, depresión	kPa (psi)	14 (2)	
Cepillos de limpieza			
Anchura de trabajo	mm (in)	750 (29,5)	
Diámetro cepillos	mm (in)	110 (4,3)	400 (15,7)
Nº de rotaciones de los cepillos	1/min	1200	160
Medidas y pesos			
Velocidad (máx.)	km/h (mph)	6 (3,7)	
Capacidad ascensional (máx.)	%	10	
Potencia teórica por metro cuadrado	m ² /h (ft ² /h)	3000 (32200)	3600 (38750)
Volumen de los depósitos de agua limpia y agua sucia	l (gal)	140/140 (37/37)	
Longitud	mm (in)	1550 (61)	
Anchura	mm (in)	870 (34,2)	
Altura	mm (in)	1340 (52,8)	
Peso (con/sin batería)	kg (lbs)	550/230 (1212/501)	
Emisión sonora			
Nivel de presión acústica (EN 60704-1)	dB(A)	70	
Vibraciones del aparato			
Valor total de la vibración (ISO 5349)			
Brazos, volante	m/s ²	0,1	
Pies, pedal	m/s ²	0,1	
Superficie de asiento	m/s ²	0,1	

Cargador

Indicaciones de seguridad

Antes de poner en marcha el cargador, lea el presente manual de instrucciones y siga las instrucciones que figuran en el mismo. Respete las indicaciones del fabricante de la batería.

⚠ Peligro

- Mantener a los niños alejados de las baterías y el cargador.
- No se puede modificar el enchufe del cargador.
- El cargador sólo se puede usar con las baterías recomendadas. Si se utilizan las baterías incorrectas con el cargador, éstas pueden desprender gas de forma excesiva, cocer y explotar.
- El cargador sólo se puede poner en funcionamiento con el montaje proporcionado de fábrica.

Uso previsto

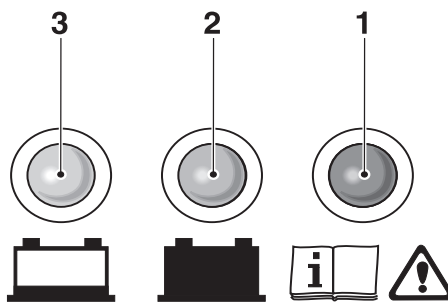
Utilice el cargador únicamente de conformidad con las indicaciones del presente manual de instrucciones.

- El cargador sólo se puede utilizar para cargar baterías de plomo en perfecto estado.
- El cargador sólo se puede utilizar para baterías de plomo que no precisen

mantenimiento o tengan una tensión de red de 24 voltios.

- El aparato sólo se puede utilizar con el siguiente fusible de red: cortacircuito fusible al menos 10 A gL ó fusible automático al menos 10 A (característica B ó C).

Pilotos de control



- 1 el LED rojo se ilumina = avería del cargador/batería, informar al servicio de atención al cliente
- 2 el LED verde se ilumina = la batería está llena
- 3 el LED amarillo se ilumina = se está cargando la batería

Puesta en marcha

⚠ Peligro

Peligro de explosiones

- Las baterías no se pueden utilizar al aire libre, ni en vías de tránsito, zonas en las que exista riesgo de explosiones ni en espacios donde haya polvos conductores de electricidad.
 - Al cargar baterías se pueden crear sustancias explosivas. No se debe fumar cerca de las baterías y cargador. Evitar el fuego y las chispas.
 - Al cargar las baterías no se deben tapar las rejillas de ventilación del aparato. Mantener abierto el capó del aparato de limpieza durante el proceso de carga.
- ➔ Conectar el enchufe del cargador a una toma con puesta a tierra de 230 V. El proceso de carga comienza automáticamente.

Mantenimiento

El cargador no precisa mantenimiento. Dado que algunas piezas se pueden desgastar, le recomendamos que el servicio técnico examine regularmente el cargador. El aparato sólo puede ser abierto y reparado por un técnico electricista. Consulte a su servicio de atención al cliente.

Datos técnicos

Tensión de red	120 V, 60 Hz
Tensión de salida	24 V
Corriente de salida	max. 50 A
Corriente de salida Eco	max. 36 A
Línea de carga	IULa con nivel de mantenimiento
Temperatura ambiente	0-40 °C (32-104 °F)
Humedad del aire, sin condensación	0-90%
Peso	5,5 kg (12,2 lbs)
Clase de protección	IP 20
Clase de protección	I
Dimensiones (al x an x pr)	85x219x308 mm (3,4x8,6x12,1 in)

Trabajos de mantenimiento

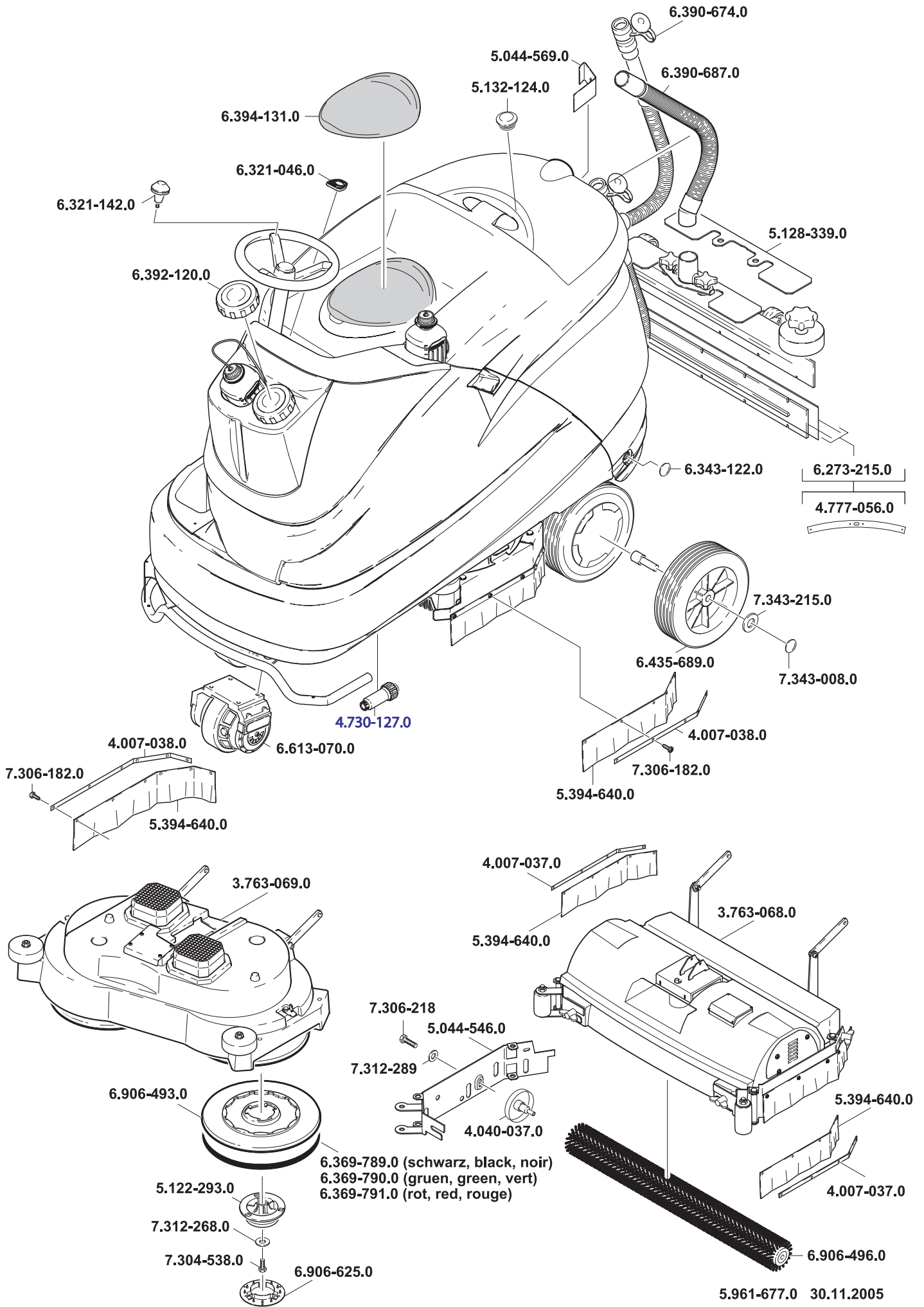
Trabajos de mantenimiento cada 100 horas de funcionamiento

- 1 Verificar si los bornes de la batería presentan huellas de oxidación
- 2 Verificar las uniones o conexiones de la batería
- 3 Verificar si los cables y contactos que están bajo corriente presentan huellas de daños u oxidación
- 4 Verificar las uniones o conexiones de cables al sistema de mando electrónico de la máquina
- 5 Verificar el nivel de agua de la batería (sólo baterías de escaso mantenimiento)
- 6 Verificar la tensión en los diferentes vasos o elementos de la batería, con la turbina de aspiración en marcha ($\Delta U \leq 0,05 \text{ V}$)
- 7 Verificar las modalidades de desplazamiento de la máquina (avance, marcha atrás)
- 8 Verificar el efecto del freno de estacionamiento en el motor de desplazamiento y maniobra de la máquina, reajustar o sustituir el freno en caso necesario
- 9 Verificar el funcionamiento correcto del cabezal de cepillos: subirlo, bajarlo
- 10 Verificar el funcionamiento correcto de los cepillos, así como el grado de desgaste
- 11 Verificar la geometría de los cepillos
- 12 Controlar los labios de trabajo en el cabezal de limpieza
- 13 Controlar la presión de los cepillos
- 14 Controlar la tensión y el desgaste de la correa de accionamiento
- 15 Verificar si los labios de aspiración presentan huellas de desgaste; verificar asimismo su ajuste correcto
- 16 Verificar la estanqueidad de la manguera de aspiración
- 17 Verificar la estanqueidad de las mangueras de agua
- 18 Verificar el estado de la(s) junta(s) de la(s) tapa(s) de los depósitos
- 19 Verificar el funcionamiento de la válvula dosificadora del agua
- 20 Limpiar el filtro de pelusas
- 21 Verificar el funcionamiento de la turbina de aspiración / unidad de aspiración (verificar el funcionamiento en circuito cerrado)
- 22 Controlar y limpiar el filtro de agua (opción reciclado))
- 23 Controlar y limpiar el filtro de agua limpia
- 24 Controlar la válvula de conmutación entre el agua limpia y el agua de reciclado (opción)
- 25 Compruebe el funcionamiento del interruptor del asiento del conductor
 - Llave de contacto en posición "1"

- Elija la dirección de marcha
 - El asiento debe permanecer desocupado
 - Apriete un poco el pedal de marcha
- Suelte el pedal de marcha apenas se ponga en movimiento la máquina. Ponga la máquina fuera de servicio y contacte al Servicio Técnico Posventa
- 26 Fusible F5 "Controlar funcionamiento parada emergencia"

Mantenimiento cada 500 horas de servicio

- 1 Compruebe si están gastadas las escobillas de carbón del motor de marcha y del accionamiento de los cepillos y sustitúyalas de ser necesario



WINDSOR INDUSTRIES

North American New Machine Warranty

Effective on all products shipped AFTER January 24, 2007

Limited Warranty

Windsor Industries, Inc. warrants new machines against defects in material and workmanship under normal use and service to the original purchaser. Any statutory implied warranties, including any warranty of merchantability or fitness for a particular purpose, are expressly limited to the duration of this written warranty. Windsor will not be liable for any other damages, including but not limited to indirect or special consequential damages arising out of or in connection with the furnishing, performance, use or inability to use the machine. This remedy shall be the exclusive remedy

of the buyer. The warranty period is subject to the conditions stated below.

10 / 3 Warranty: 10 Years Polyethylene (PE) Housings, 3 Years Parts, and Service Labor

Subject to conditions outlined below, Windsor Industries warrants rotationally molded PE housings and parts on all of its machines to be free from defects in material and workmanship, under normal use and service for ten (10) years to the original owner.

Under this warranty we guarantee the performance of non-polyethylene parts and components to be free from defects for up

to three (3) years or up to 2,500 hours of operation, whichever comes first, to the original end user. Parts replaced or repaired under this warranty are guaranteed for the remainder of the original warranty period. (See table below)

Service labor charges are covered for up to three (3) years or up to 2,500 hours of operation, whichever comes first, from the date of purchase through authorized Windsor service provider. No travel coverage is extended for cord-electric models. See table below for each general product model warranty coverage.

Product	PE Housing & Parts	Non- PE Parts	Service Labor	Travel
Rider / Stand up Scrubbers	10 years	3 years or 2000 hours	3 years or 2000 hours	6 Months
Rider Sweepers	10 years	3 years	3 years	6 Months
Walk Behind Scrubbers	10 years	3 years or 2500 hours	3 years or 2500 hours	6 Months
Walk Behind Sweepers	10 years	3 years	3 years	6 Months
Battery Burnishers	10 years	3 years	3 years	6 Months
Extractors / Compass	10 years	3 years	3 years	-
Polishers / Elec. Burnishers / GH	10 years	3 years	3 years	-
Wide Areas Vacuums	10 years	3 years	3 years	-
VacPak Vacuums	10 years	1 year	1 year	-
Tracer/Flex Sweepers/Scrubbers	10 years	3 years	3 months	90 days
Air Movers / Dri-matic / TITAN™ /Rombus/Priza	1 year	1 year	1 year	-
Canister Vacuum	1 year	1 year	1 year	-
Wet/Dry Vacuum	1 year	1 year	1 year	-
Broom	1 year	1 year	1 year	-
Steamer	1 year	1 year	1 year	-
Propane Burnishers / Strippers	-	2 years	1 year	-

VERSAMATIC® / FLEXAMATIC®	Brush motor, Vacuum motor, Belts, Swivel Neck – 3 years	All other parts/Labor – 1 year
SENSOR®	Vacuum motor, Belts – 2 years	All other parts/Labor – 1 year

Product exceptions and Exclusions:

- Extractor brush motors, **ALL** pump motors, **ALL** PC boards and electronics, **ALL** Vacuum motors (other than VERSAMATIC®, SENSOR® and FLEXAMATIC®), **ALL** pumps, and diaphragms/Tank bags carry a one (1) year parts and service labor warranty.
- The Eagle-Robin® engines have three (3) year manufacturer's warranty. The Honda® and Kawasaki® engines have two (2) year manufacturer's warranty. **NOTE:** The engine warranty is administered through the engine manufacturer

and must be repaired at an authorized service center.

Normal wear items and accessories including, but not limited to, belts, brushes, FLEXAMATIC® foot pedal, capacitors, carbon brushes, casters, clutches, cords, filters, finishes, gaskets, hoses, light bulbs, rectifiers, switches, squeegees, bearings, pulleys, relays, actuating cables, wheels, tires, and propane tanks will be warranted for manufacturing defects for 90-days from the purchase date. The warranty commences on the purchase date by the original end user from an authorized Windsor

agent, subject to proof of purchase. The Machine Registration Card must be completed and returned immediately at the time of purchase. If proof of purchase cannot be identified, the warranty start date is 90 days after the date of sale to an authorized Windsor distributor. Parts replaced or repaired under warranty are guaranteed for the remainder of the original warranty period.

90 Day Warranty Extension Available

Upon receipt of the Machine Registration Card, Windsor will extend by 90 days, from the date of purchase, all items included under the one-year provision. This applies only to one-year items and does not include 90-day wear items.

This Warranty Shall Not Apply To:

- 1 Any product that has been subject to abuse, misuse, neglect or unauthorized alteration (including the use of incompatible or corrosive chemicals or overloading of capacity).
- 2 Products that have experienced shipping or freight damage.
- 3 Repairs necessary to correct any failure due to improper pre-delivery service and inspection by the selling dealer.
- 4 Excessive time for cleaning units in preparation for repair.
- 5 Any repairs resulting from poor initial service work or improper diagnosis.
- 6 Tune-up parts such as plugs, plug wires and condensers.
- 7 Any design alterations performed by an organization not authorized or specified by Windsor.
- 8 Battery and charger warranties are handled directly with the manufacturer (Trojan® batteries and Lester® chargers).
- 9 High-pressure washing
- 10 Electrical components exposed to moisture.

If difficulty develops during the warranty period, contact the authorized Windsor agent from whom the product was purchased. Windsor Industries, Inc. may elect to require the return of components to validate a claim. Any defective part to be returned must be shipped freight prepaid to an authorized Windsor Distributor/Service Center or to the Windsor factory.

Use Of Parts Not Approved By Windsor Industries, Inc. Will Void All Warranties

This warranty is valid only for all products Shipped/Sold **AFTER** January 24, 2007. A product sold before that date shall be covered by the limited warranty in effect at the date of sale to the original purchaser.

Windsor Industries reserves the right to change its warranty policy without notice – 98864-Rev7 01/24/07

Windsor Industries, Inc. - a Castle Rock Industries company - 1351 W. Stanford Ave. / (303) 762-1800 / 800-444-7654 / FAX (303) 865-2775

Free Manuals Download Website

<http://myh66.com>

<http://usermanuals.us>

<http://www.somanuals.com>

<http://www.4manuals.cc>

<http://www.manual-lib.com>

<http://www.404manual.com>

<http://www.luxmanual.com>

<http://aubethermostatmanual.com>

Golf course search by state

<http://golfingnear.com>

Email search by domain

<http://emailbydomain.com>

Auto manuals search

<http://auto.somanuals.com>

TV manuals search

<http://tv.somanuals.com>