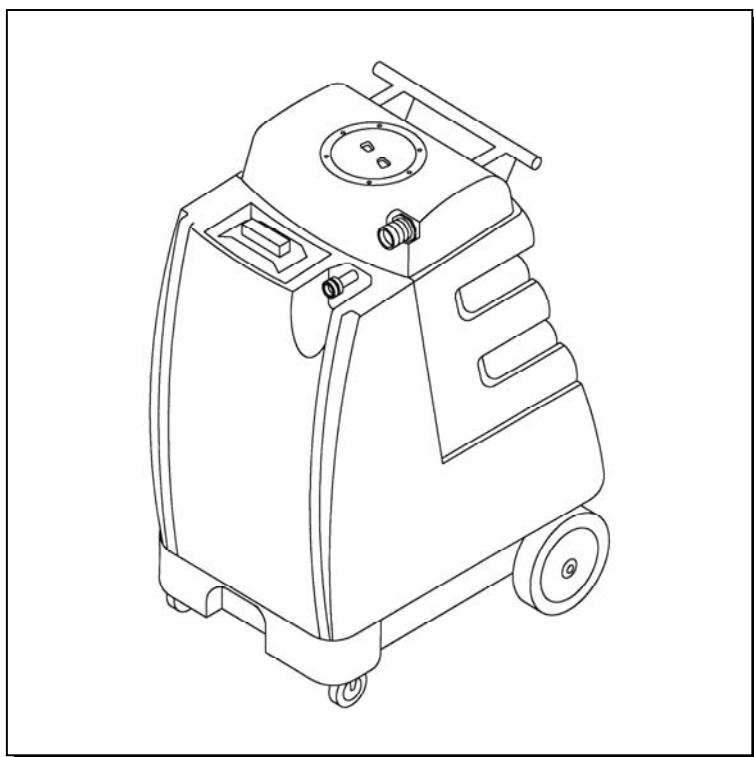


# **DOMINATOR™**



## **CARPET EXTRACTOR**



Operating Instructions (ENG)

***MODEL:***     ***D250 (115V)***  
                  ***10070100***  
***Beginning with Serial No. 1000054537***

**QUEST®** ... for Continuous Improvement.  
Windsor's Quality Management System is Certified ISO 9001.

---

*Read these instructions before operating the machine*

**AB**

86038570 05/11/07

PRV NO. 98828

# TABLE OF CONTENTS

MODEL _____
DATE OF PURCHASE _____
SERIAL NUMBER _____
SALES REPRESENTATIVE # _____
DEALER NAME _____

---

<i>Data Log/Table of Contents</i> .....	1	<i>Technical Specifications</i> .....	11
<i>Safety Instructions</i> .....	2	<i>Parts Lists</i> .....	13-22
<i>Grounding Instructions</i> .....	3	<i>Spare Parts</i> .....	23
<i>Operations</i> .....	4	<i>Wiring Diagram</i> .....	24
<i>Maintenance</i> .....	6-9	<i>Warranty</i> .....	25
<i>Troubleshooting</i> .....	10		

---

## **INSPECTION**

*Carefully unpack and inspect your machine for shipping damage. Each unit is operated and thoroughly inspected before shipping, and any damage is the responsibility of the carrier, who should be notified immediately.*

### IMPORTANT SAFETY INSTRUCTIONS

**When using an electrical appliance, basic precaution must always be followed, including the following:**

**READ ALL INSTRUCTIONS BEFORE USING THIS MACHINE.**

**This machine is for commercial use.**



#### **WARNING:**

**To reduce the risk of fire, electric shock, or injury:**

Connect to a **properly grounded outlet**. See Grounding Instructions.

**Do not** leave the machine unattended. Unplug machine from outlet when not in use and before maintenance or service.

**Use only** indoors. Do not use outdoors or expose to rain.

**Do not** allow machine to be used as a toy. **Close attention** is necessary when used by or near children.

**Use only** as described in this manual. Use only manufacturer's recommended components and attachments.

**Do not** use damaged electrical cord or plug. Follow all instructions in this manual concerning grounding the machine. If the machine is **not working properly**, has been dropped, damaged, left outdoors, or dropped into water, return it to an authorized service center.

**Do not** pull or carry machine by electrical cord, use as a handle, close a door on cord, or pull cord around sharp edges or corners.

**Do not** run machine over cord. **Keep** cord away from heated surfaces.

**Do not** unplug machine by pulling on cord. To unplug, grasp the electrical plug, not the electrical cord.

**Do not** handle the electrical plug or machine with wet hands.

**Do not** operate the machine with any openings blocked. Keep openings free of debris that may reduce airflow.

This machine is intended for cleaning carpet only.

**Do not** vacuum anything that is burning or smoking, such as cigarettes, matches, or hot ashes.

This machine is not suitable for picking up health endangering dust.

Turn off all controls before unplugging.

**Machine can cause a fire** when operating near flammable vapors or materials. Do not operate this machine near flammable fluids, dust or vapors.

**This machine is suitable for commercial use, for example in hotels, schools, hospitals, factories, shops and offices for more than normal housekeeping purposes.**

Maintenance and repairs must be done by qualified personnel.

If foam or liquid comes out of machine, switch off immediately.

## SAVE THESE INSTRUCTIONS

# GROUNDING INSTRUCTIONS

THIS PRODUCT IS FOR COMMERCIAL USE ONLY.

## ELECTRICAL:

The amp, hertz, and voltage are listed on the data label found on each machine. Using voltages above or below those indicated on the data label will cause serious damage to the motors.

## GROUNDING INSTRUCTIONS:

This appliance must be grounded. If it should malfunction or break down, grounding provides a path of least resistance for electric current to reduce the risk of electric shock. This appliance is equipped with a cord having an equipment-grounding conductor and grounding plug. The plug must be inserted into an appropriate outlet that is properly installed and grounded in accordance with all local codes and ordinances.

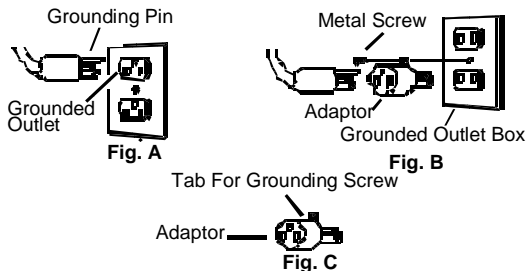
The D250 is for use on a nominal 115-volt circuit, and has a grounded plug that looks like the plug in "Fig. A". A temporary adaptor that looks like the adaptor in "Fig. C" may be used to connect this plug to a 2-pole receptacle as shown in "Fig. B", if a properly grounded outlet is not available. The temporary adaptor should be used only until a properly grounded outlet (Fig. A) can be installed by a qualified electrician. The green colored rigid ear, lug, or the like extending from the adaptor must be connected to a permanent ground such as a properly grounded outlet box cover.

Whenever the adaptor is used, it must be held in place by a metal screw.

The D250IE is for use on a nominal 230-volt circuit.

**WARNING:** Improper connection of the equipment-grounding conductor can result in a risk of electric shock. Check with a qualified electrician or service person if you are in doubt as to whether the outlet is properly grounded. Do not modify the plug provided with the appliance - if it will not fit the outlet, have a proper outlet installed by a qualified electrician.

## PROPER GROUNDING (115V)



**NOTE: In Canada, the use of a temporary adaptor is not permitted by the Canadian Electrical Code**

## CHEMICALS

### Suitable Chemicals

*Alkalis*  
*Detergents*  
*Hydroxides*  
*Soaps*  
*Vinegar*

### Non-Compatible

*Aldehydes*  
*Aromatics Hydrocarbons*  
*SP Butyls*  
*Carbon Tetrachloride*  
*Clorox\**  
*Chlorinated Bleaches*  
*Chlorinated Hydrocarbons*  
*Lysol\**  
*Methyl Ethel Ketone (MEK)*  
*Perchorethylene (perc)*  
*Phenolics*  
*Trichlorethylene*  
*D-Limonene*

## Warning:

Using the incompatible chemicals listed above will damage the machine. Damages of this type are not covered under the 6-3-1 warranty. Carefully read ingredients on manufacturer's label before using any product in this machine.

# OPERATIONS

## CARPET INSPECTION:

Determine precisely what areas you are going to clean. Note problem areas in the carpet or tack strip. Look for loose carpet, heavily damaged areas, discolored stains, or grease spots that will require prespotting. Note the carpet type. Check the availability of hot water, drains, and suitable electrical outlets. If the carpet is loose or worn, have it repaired **before** attempting to clean it.

Plan the cleaning route, work from the most remote area towards the exit. Try not to travel over the cleaned areas when getting fresh water or dumping old. Furniture should be moved out away from the walls before cleaning. If furniture is moved back in place before carpet is completely dry, place plastic or foil protectors under the legs to prevent possible carpet staining. When possible use a Windblower (WB3) and open all windows and doors to speed carpet drying.

## ACCESSORIES:

The D-250 can be used with the following Windsor equipment: Deluxe Hand Tool (86000020 – PRV NO. DHT), Pile Jogger (86041760 - PRV NO. PJ2A), Standard Floor Wands(SFW, 86000610 – PRV NO. SW, 86288320 – PRV NO. SW-PRO, 86288310 – PRV NO. PROW), & Wind Blower carpet dryer(10040270 – PRV NO. WB3). Contact an authorized Windsor dealer for assistance in choosing the right equipment .

## GENERAL INFORMATION:

**On heavily soiled carpets, or on areas of high foot traffic**, it may be necessary to use a prespray or traffic lane cleaner applied with a Pro-Spray. Do not add presprays to the machine's solution tank. If a spotter is used, follow the manufacturer's instructions exactly as printed on the label. Remove the spotter with the floor tool when done, spotter left in the carpet may bleach or brown it permanently.

**As the carpet is being cleaned, check to see if there is foam building up in the recovery bucket.**

Add a little defoaming compound to the recovery tank but never to the solution tank.

**For infrequent use or long periods of storage**, flush the system with a neutralizing solution of 1 quart white vinegar mixed with 2 gallons hot water. Flush the system with clean hot water after neutralizing.

**For hose fitting lubrication**, use a light silicone lubricant which will not damage o-rings.

## PROTECT THIS MACHINE FROM FREEZING.

### EQUIPMENT SET-UP:

1. Plug power cable from machine into properly grounded wall outlet.
2. Turn vacuum motor switch on and off to make sure there is electrical power at machine.
3. Connect vac hose to machine. Slide the swivel cuff over the outlet on the tank.
4. Connect the hose set to the machine and wand. Pull back the knurled collar on the quick disconnect coupler and push onto the connection on the chassis. To avoid leaks, check to be sure a positive connection was made.
5. Pour clean, hot water into the solution tank.  
**To avoid possible tank distortion, water temperature must not exceed 140 F (60C).**
6. Add a non-foaming cleaning solution concentrate, for use in hot water extractors at the proportions noted on the container (See list below), into solution tank. **NOTE: When using powder cleaner, pre-mix with hot water in a clean container before adding to the solution tank.**
7. Turn pump and vacuum switch(s) to the on position. **NOTE: Pump may have to be primed for solution flow.** (See Priming the Pump)
8. Start cleaning.

### PRIMING THE PUMP

1. Connect priming hose to solution output on machine.
2. Run open end of priming hose to vacuum intake.
3. Turn pump and both vacuums on and seal off hose going into vacuum in take.
4. Do this for 30 seconds or until pump is putting out a steady flow of water.

# OPERATION

## HEATER OPERATION

**⚠ WARNING:** The disconnect fittings on the heater will become extremely hot during operation. Allow sufficient time to cool, or run solution through the machine with the heater turned off before disconnecting the or performing any maintenance on the heater.

Before disconnecting the heater, open wand valve to relieve the system of all pressure by depressing the valve trigger.

**DO NOT** spray water directly on to the heater. To clean, unplug the unit and wipe with a damp cloth.

**⚠ WARNING:** Make certain that the solution tank is filled adequately before plugging in the machine and heater.

1. Plug the machine and heater into separate grounded circuits. The heater draws 15 amps of current.
2. Turn the solution pump **ON**. Turn the heater switch **ON**. The solution pump must be turned on **BEFORE** the heater is turned on.

The heater requires about 5-6 minutes to reach operating temperature, approximately 250°F. When turning the machine and heater **OFF**, make certain that you turn the heater off **FIRST**.

## EMPTYING AND CLEANING

**⚠ WARNING:** Always use defoamer if foaming occurs. Foam will suspend large particles that may damage vacuum(s) as well as allow liquid into the vacuum motor(s) without activating the float shutoff.

1. Before proceeding, make certain that the nozzle is functioning properly.
  - a. To check, hold the wand about one foot above the surface to be cleaned and open the wand valve. A full spray should be observed from the nozzle.
  - b. If the nozzle is not showing a full spray pattern, adjust nozzle for proper pattern, clean, or replace nozzle.
2. Normally, chemical is applied on the **push** stroke while vacuuming is done on the **pull** stroke. For heavily soiled carpets the hand tool may be used in the scrubbing manner, applying chemical in both the push and pull stroke. **ALWAYS FINISH UP AN AREA WITH A VACUUM PULL STROKE.**

3. When cleaning, keep the working opening (wand mouth) flat on the surface being cleaned. Keep the wand moving when the valve is open.
4. The shutoff float inside the recovery tank will impede the vacuum flow when the tank is full. When this occurs, empty the recovery tank. Do this by opening the dump valve located at the back of the machine. **NOTE:** *Dispose of waste in a proper manner which would not violate any Local, State or Federal law.*
5. Once the recovery tank has been emptied, you may once again proceed with cleaning.

**⚠ CAUTION:** Operating Vacuum after shutoff has activated could draw water directly into the vac motor. This will cause damage to the motor, therefore voiding your warranty.

**⚠ CAUTION:** Always test carpet for color fastness in an inconspicuous place. Also, to avoid prolonged drying times, do not spray too much solution in any one area.

## SHUT DOWN AND STORAGE

1. Turn Switch OFF. Empty recovery tank completely and rinse several times to remove any dirt or debris that may be left behind.
2. Drain any unused cleaning solution from solution tank and rinse with clean water to remove any suds left behind by the cleaning chemicals. **NOTE:** *Dispose of waste in a proper manner which would not violate any Local, State or Federal law*
3. Run a small amount of clean water through pump if chemicals were used. This will help insure the life of your pump.
4. Check the spray jet on the cleaning tool for full spray pattern and inspect vac head for any obstructions.
5. Remove as much moisture from system before storing in cold climates. Excess water may freeze during storage and crack internal components, causing damage to the unit.

**⚠ WARNING:** Before making any adjustments or performing any maintenance to your machine, disconnect the power cord from the electrical source.

## DAILY MAINTENANCE:

(At the end of each working day):

1. Flush the entire system, including floor tool, hand tool, etc., with 1 to 3 gallons of clean, hot water.
2. Vacuum out the solution tank .
3. Rinse tank with fresh water. Periodically inspect the recovery tank and decontaminate if necessary, using a Hospital Grade Virucide or a 1-10 bleach to water solution. Waste water should be disposed of properly.
4. Remove lint build-up from the float shut-off screen in the recovery tank . (Occasionally check filter screen at the bottom of the solution tank and rinse clean with hot water if necessary).
5. Inspect hoses for wear. Frayed or cracked hoses should be replaced to avoid vacuum or solution pressure loss.
6. Inspect power cord for wear or damage. This cable will lay on wet carpet. To prevent electrical shock replace cords that are frayed or have cracked insulation immediately.
7. Ensure automatic shut-off ball is working properly.
8. Clean all dirt and obstructions from drain valve and gaskets to prevent possible leakage and premature wear.
9. Run clean water through solution pump when work is complete.
10. Empty both tanks and rinse, run vacuum (s) for at least one minute to dry motor(s).
11. Store with access covers removed to allow tanks to dry.

## PERIODIC MAINTENANCE

1. Twice a month, flush a white vinegar solution (One quart vinegar to two gallons of water) or anti-browning solution (mixed as directed) through the extractor, turning pump switch on/off several times, flush with clean water. This will prevent build-up of alkaline residue in the system.

2. Check hoses for wear, blockages, or damage. Frayed or cracked hoses should be repaired or replaced to eliminate vacuum or solution pressure loss.
3. Check all handles, switches, knobs, electrical cables and connections on your machine for damage. If the cable insulation is broken or frayed, repair or replace it immediately. Don't take chances with electrical fire or shock.
4. Clean out solution tank and remove and clean solution screen.
5. Clean outside of all tanks and check for damage.

## MONTHLY MAINTENANCE

1. Check all bearings for noise and wear.
2. Check all gaskets for wear and leakage.
3. Check pump pressure; observe spray pattern and check with gauge if necessary.
4. Check overall performance of machine.
5. Grease piston inside pressure regulator.

## SEMI-ANNUALLY

1. Check vacuum motor brushes.

## LUBRICATION

For hose fitting lubrication, use a light silicone lubricant which will not damage o-rings.

## STORAGE

Thoroughly clean machine if it is to be stored. Protect this machine from freezing while in storage.

## HEATER MODEL STORAGE

Be sure to thoroughly drain water out of heater lines prior to storage in colder climates. This heater will freeze and possibly crack, voiding your warranty.

# MAINTENANCE

## SERVICE SCHEDULE

MAINTENANCE	DAILY	WEEKLY	QUARTERLY
Check machine for cord damage	*		
Check recovery dome and gasket for damage and cleanliness	*		
Check hoses for wear, blockages, or damage	*		
Check handles, switches, and knobs for damage	*		
Check vac motor intake filter and clean	*		
Run one gallon of water through system	*		
Clean out recovery tank and check float valve to make sure it moves freely	*		
Clean out solution tank and remove and clean vacuum intake screen	*		
Clean outside of all tanks and check for damage	*		
Run vac motor for at least one minute to allow motor to dry	*		
Store with dome off tank to allow the tank to dry	*		
Check all gaskets for wear and leakage		*	
Check vacuum intake screen for damage; replace if necessary		*	
Check pump pressure; observe spray pattern and check with gauge if necessary		*	
Check and clean solution screen		*	
Check cables for fraying		*	
Check overall performance of machine		*	
Check vac motor carbon brushes			*



## **⚠ WARNING:**

**ONLY QUALIFIED MAINTENANCE PERSONNEL ARE TO PERFORM THE FOLLOWING REPAIRS.**

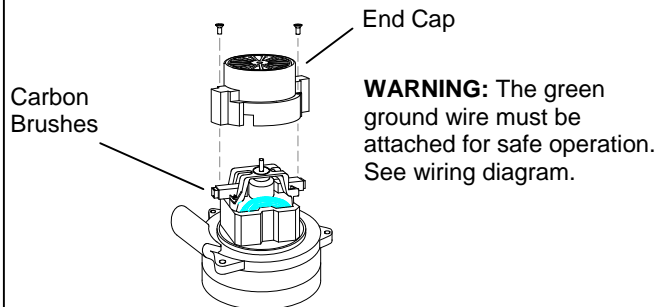
### VACUUM MOTOR REPLACEMENT

1. Turn off all switches and unplug machine.
2. Remove recovery tank.
3. Locate the vacuum motor wires and disconnect at the connector.
4. Remove the vacuum motor.
5. Reverse process to install vacuum motor.

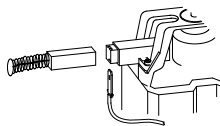
### SOLUTION PUMP REPLACEMENT

1. Turn off all switches and unplug the machine.
2. Remove recovery tank.
3. Remove solution hoses from fittings in pump.
4. Remove the (2) screws that fasten the pump to the frame.
5. Reverse process to install pump.

#### Vacuum Motor Carbon Brushes Replacement (Windsor)

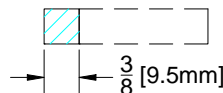


If armature commutator is grooved, extremely pitted or not concentric, the motor will need to be replaced or sent to a qualified service center.



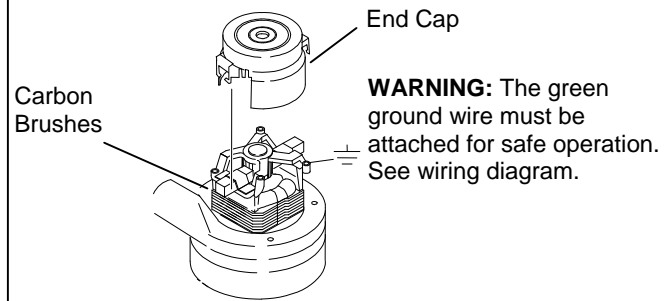
#### **Important:**

*These brushes wear quicker as the length shortens due to increased heat. Spring inside brush housing will damage motor if brushes are allowed to wear away completely.*

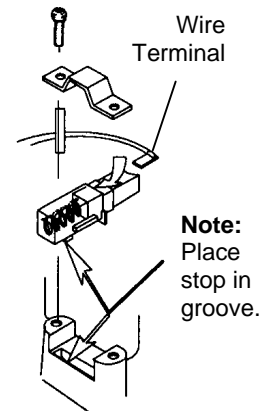


Periodically check the length of the carbon brushes. Replace both carbon brushes when either is less than 3/8" (9.5mm) long.

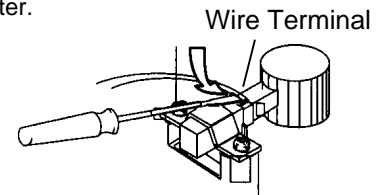
#### Vacuum Motor Carbon Brushes Replacement (Ametek)



**Note:** When replacing carbon brushes loosen wire terminal **BEFORE** removing screws on bracket.

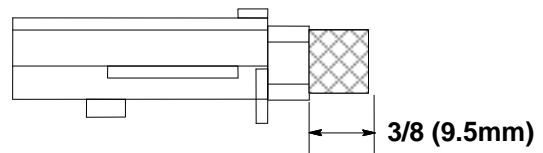


If armature commutator is grooved, extremely pitted or not concentric, the motor will need to be replaced or sent to a qualified service center.



#### **Important:**

*These brushes wear quicker as the length shortens due to increased heat. Spring inside brush housing will damage motor if brushes are allowed to wear away completely.*



Periodically check the length of the carbon brushes. Replace both carbon brushes when either is less than 3/8" (9.5mm) long.

# **MAINTENANCE**

## **D-250 PUMP MAINTENANCE**

Per manufacturer's recommendations the following maintenance should be performed utilizing noted kits:

- 1.) 500 hours-Kit 86201080 – PRV NO. 250-75A replaces the V-packing, wave washer, packing spreader and plunger guide.
- 2.) 500 hours-Kit 86201100 – PRV NO. 250-75C replaces the CAM bearing and insert.
- 3.) 1000 hours-kit 86201090 – PRV NO. 250-75B valve assembly and o-rings.

NOTE: Maintenance and repairs must be done by qualified personnel. Using non-Windsor parts to repair this machine will void the warranty. Contact an authorized Windsor dealer for complete details.

# TROUBLESHOOTING

## TROUBLE SHOOTING CHART

PROBLEM	POSSIBLE CAUSE	SOLUTION
No power to machine	Dead electrical circuit	Check building circuit breaker or fuse box.
Electrical shock	Faulty power cord	Replace.
Electrical shock	Equipment not grounding	Follow grounding instructions exactly.
	Receptacle not grounded	Contact an electrician to check building's wiring.
Vac motor speed varies or doesn't run	Worn motor brushes	Replace.
	Motor worn out	Replace.
	Faulty switch	Replace.
Loss of Vacuum	Loose vacuum dome	Center and seal dome over tank.
	Crack in dome or poor joint	Replace or repair using acrylic plastic cement only.
	Lint or dirt clogging vacuum screen	With power off clean screen.
	Loose cuffs on vacuum hose	Tighten cuffs turning counterclockwise.
	Vac motor seals leaking	Replace.
	Floor tool vac chamber clogged	Wash out with hose. Pick lint out with a wire.
	Vac motor, hose, or dome gasket	Replace.
Solution hose fitting hard to connect	Corrosion on fittings	Clean with steel wool. Soak in acetic acid (white vinegar). Lubricate lightly with silicone based lubricant.
Carpet not getting clean	Severe soil conditions	Make several passes at right angles to each other. Use a prespray.
Carpet too wet	Over saturation	Adjust solution pressure to lower setting. Make several passes without spray.
Carpet browning	Leaving carpet too wet	Check for loss of vac pressure.
	Too much chemical	Check label for correct solution concentration.
Solution not flowing properly	Solution hose connection	Check for positive connection.
	Faulty pump	Repair or replace.
	Faulty floor tool valve	Repair or replace.
	Faulty pump switch	Repair.

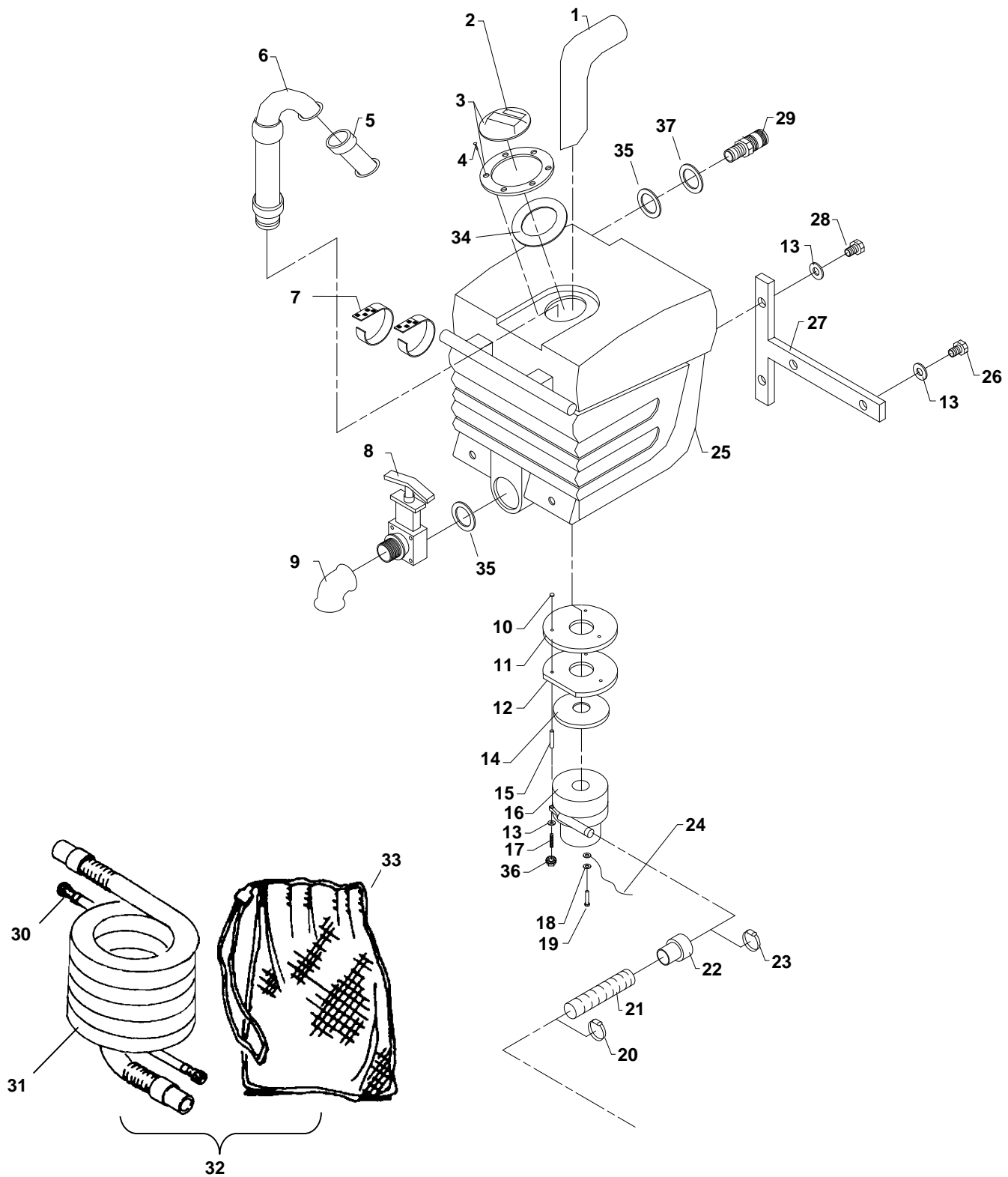
# TECHNICAL SPECIFICATIONS

## TECHNICAL SPECIFICATIONS

ELECTRICAL:	115 V, 60 Hz, 15 Amps per power cable ((D250) 230 V, 50 Hz, 15 Amps (D250IE)
ELECTRIC VACUUM MOTOR	(1) -2/1.25 HP, 2 stage, Waterlift -150" (381cm)
SOLUTION PUMP	250 psi, adj.
SOLUTION CAPACITY	17 gallons (64.3ltr)
RECOVERY CAPACITY	15 gallons (56.75ltr)
WEIGHT	97 lbs. ( 44 kg)
LENGTH	20" (50.80 cm)
WIDTH	16" (40.64 cm)
POWER CABLE	2-25' (6.35 m) (D250) 1-25' (6.35 m) (D250IE)

**NOTES:**

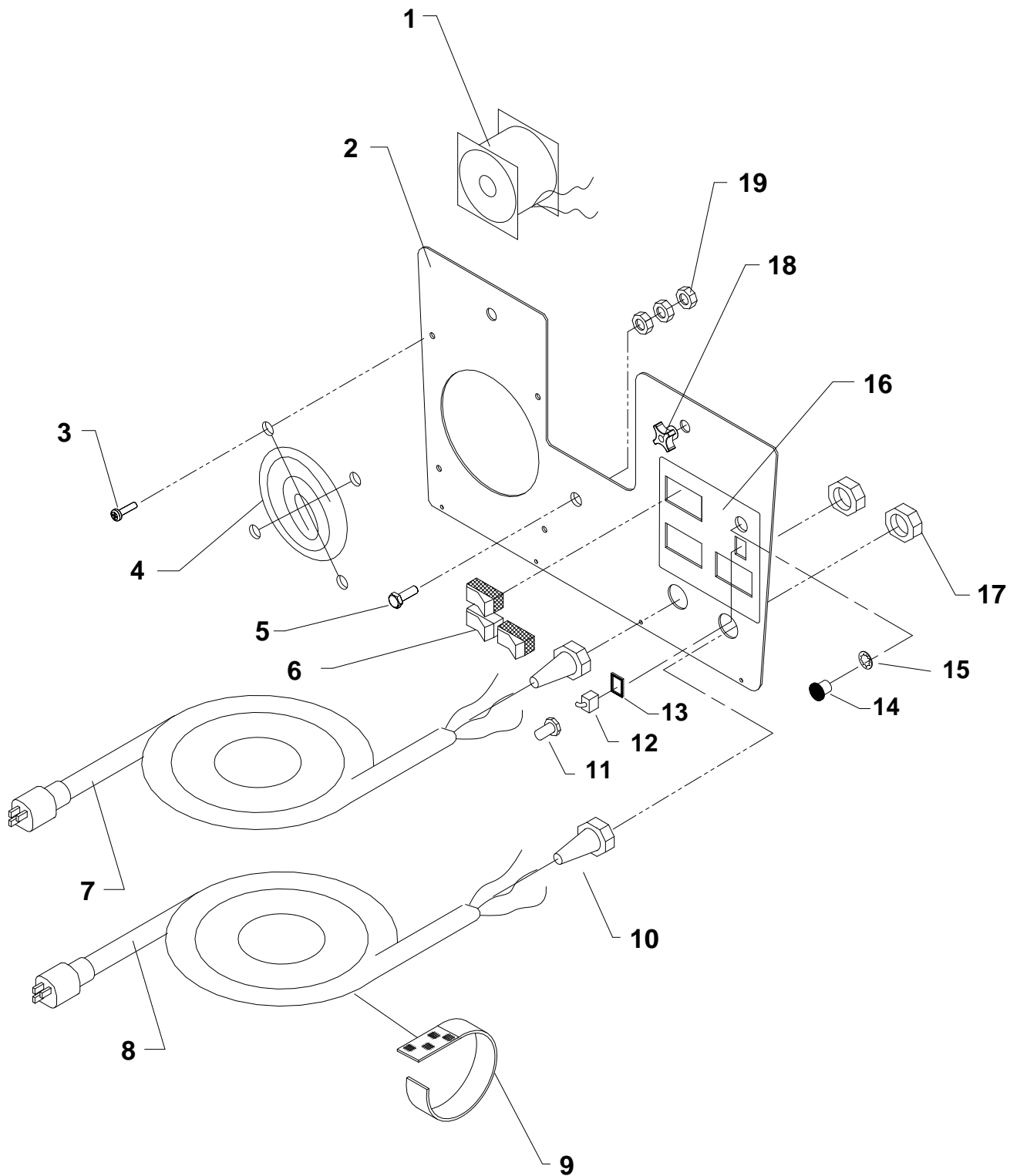
# RECOVERY TANK ASSEMBLY



## RECOVERY TANK ASSEMBLY

REF	PART NO.	PRV NO.	QTY	DESCRIPTION	SERIAL NO. FROM	NOTES:
1	86033260	05151	1	TUBE ASM, RECOVERY TANK		
2	86242230	500009	1	LABEL, WARNING		
3	86002620	260-64A	1	ACCESS COVER CLEAR 6" W/RIM		
4	86275800	70546	6	SCR, 8 X 3/4 PFHT/S BLK ZINC		
5	86199840	090-12A	1	FLOAT CAGE ASSY COMPLETE SLIP		
6	86033330	78475	1	VAC STACK ASM, 17 GAL PORTABLES		
7	86202160	320-05	2	VELCRO STRAPS		
8	86161460	15-808123	1	DUMP VALVE 2"		
9	86161470	11-800444	1	ELBOW, 1.5 2" 45D PVC SCH40		
10	86201510	390-26	3	SPACER NYLON 1/4 ID X 1/2 OD		
11	86237440	35168	1	GASKET VAC MTR		
12	86090970	360-24	1	PLATE, VAC		
13	86010630	87013	7	WASHER, 1/4 ID X 5/8 OD SS		
14	86003760	35166	1	GASKET, VAC MTR		
15	86201970	065-92	3	VAC SPACER 2 1/4 II STAGE		
16	86031620	85047	1	VAC MTR ASM, D/B RCVRY 115V 2ST		
-	86202070	360-04B	-	BRUSHES, VAC FOR 116392-00		SERVICE ONLY
-	86135320	140687	-	BRUSH SET, 120V VAC WINDSOR	1000121568	SERVICE ONLY
17	86256490	70814	3	STUD, 1/4-20 X 4.5		
18	86010640	87016	3	WASHER, #10 LOCK EXT STAR SS		
19	86274980	70335	1	SCR, 10-32 X 1/2 PHTR GRN/GRND		
20	86002390	20063	1	CLAMP, 1.75" WORM GEAR X .312		
21	86004190	39337	1	HOSE, 1.5 BLK VAC X 24"		
22	86234900	27508	1	CUFF, VAC HOSE BLU		
23	86002380	20046	1	CLAMP, 2.25" WORM GEAR		
24	86267480	880292	1	WIRE, 4" GRN/14 76010 X 76014		
25	86033420	75334	1	TANK, RECOVERY DB DK GRY		
26	86273780	70015	2	SCR, 1/4-20 3/4 HHCS SS DL		
27	86091150	065-25	1	TANK BRACE ASM, D/B		
28	86273830	70020	2	SCR, 1/4-20 X 1/2 HHCS SS NP		
29	86200290	260-33	1	HOSEBARB, 1.5 MPT X 1.5		
30	86200320	39574	1	HOSE ASM, 1/4 HP SLTN 16.5FT		
31	86200320	150-44A	1	VAC HOSE 16-1/2' W/CUFFS 1 1/2		
32	86241910	47356	1	KIT, HOSE ASM W/BAG DOM50		
33	86001750	14182	1	HOSE BAG 24" X 36"		
34	86004000	35255	1	GASKET, TANK LID		
35	86237770	35256	2	GASKET, DUMP VALVE		
36	86005710	57105	3	NUT, 1/4-20 HEX W/ STAR WASHER		
37	86090320	87257	1	WASHER, HOSEBARB		

# CONTROL PANEL GROUP

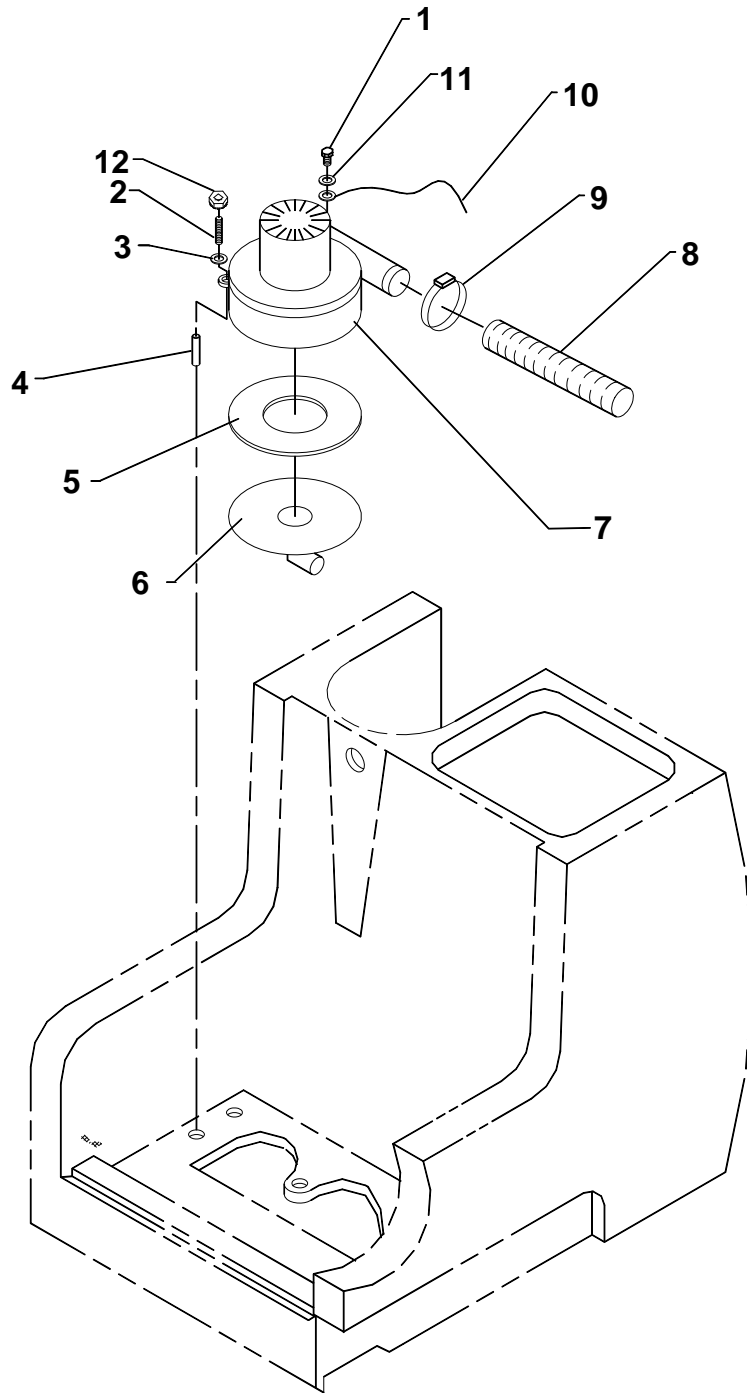




## CONTROL PANEL GROUP

REF	PART NO.	PRV NO.	QTY	DESCRIPTION	SERIAL NO. FROM	NOTES:
1	86199650	070-08	1	FAN 105 CFM AXIAL		
2	86090870	61367	1	PANEL ASM, CONT. 3 SW W/HEAT		
3	86276290	70621006	4	SCR, #10 X 3/4 PPHST HI-LO BLK		
4	86199660	070-08A	1	FAN FINGER GUARD		
5	86273810	70018	1	SCR, 1/4-20 X 1 HHCS SS		
6	86256960	72142	3	SWITCH, SPST 15A EURO ROCKER		
7	86199540	060-04A	1	CORD 25' BLK 14/3 SJTW/A PLUG		
8	86199530	060-04	1	CORD 25' BLK 12/3 SJTW/A PLUG		
9	86202160	320-05	2	VELCRO STRAP		
10	86256180	73195	2	STRAIN RELIEF, 1/2 NPT (.48ID)		
11	86201860	330-06	1	TOGGLE SWITCH BOOT		
12	86201840	330-05	1	TOGGLE SWITCH		
13	86201330	335-04	1	TOGGLE SWITCH PLATE ON/OFF		
14	86261300	51116	1	LIGHT ASM, 115V BRUSH WEAR		
15	86233480	22046	1	CLIP, NEON LAMP		
16	86200600	500345	1	LABEL DOM 3 SWITCH W/HEAT		
17	86005670	57040	2	NUT, 1/2 NPT CONDUIT		
18	86200500	140-11	2	KNOB RT/TANK		
19	86005710	57105	3	NUT, 1/4-20 HEX W/STAR WASHER		

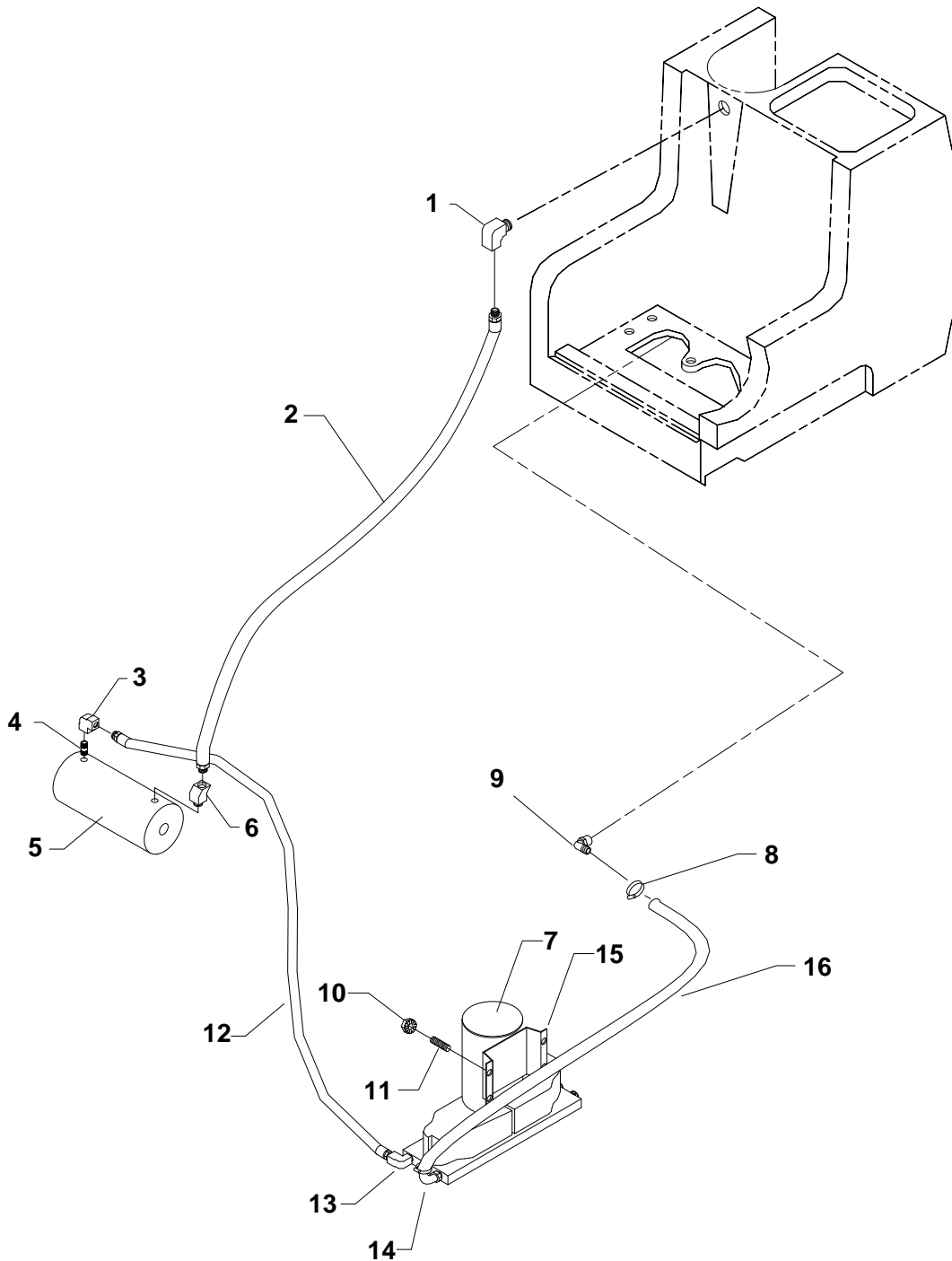
# VACUUM GROUP (LOWER)



## VACUUM GROUP (LOWER)

REF	PART NO.	PRV NO.	QTY	DESCRIPTION	SERIAL NO. FROM	NOTES:
1	86274980	70335	1	SCR, 10-32 X 1/2 PHTR GRN/GRND		
2	86256480	70813	3	STUD, 14/20 X 3.5 SS		
3	86010630	87013	3	WASHER, 1/4 ID X 5/8 OD SS		
4	86201970	065-92	3	VAC SPACER 2 1/4 II STAGE		
5	86003760	35166	1	GASKET, VAC MTR		
6	86090980	360-24A	1	PLATE ASM, VAC 90 DEG		
7	86031600	85045	1	VAC MTR ASM, D/B SLTN 115V 2ST		
-	86202070	360-04B	-	BRUSHES, VAC FOR 116392-00		SERVICE ONLY
-	86135320	140687	-	BRUSH SET, 120V VAC WINDSOR	1000121568	SERVICE ONLY
8	86282120	39582	1	HOSE, VAC EXHAUST X 9"		
9	86002380	20046	1	CLAMP, 2.25" WORM GEAR		
10	86267480	880292	1	WIRE, 4" GRN/14 76010 X 76014		
11	86010640	87016	1	WASHER, #10 LOCK EXT STAR		
12	86005710	57105	3	NUT, 1/4-20 HEX W/ STAR WASHER		

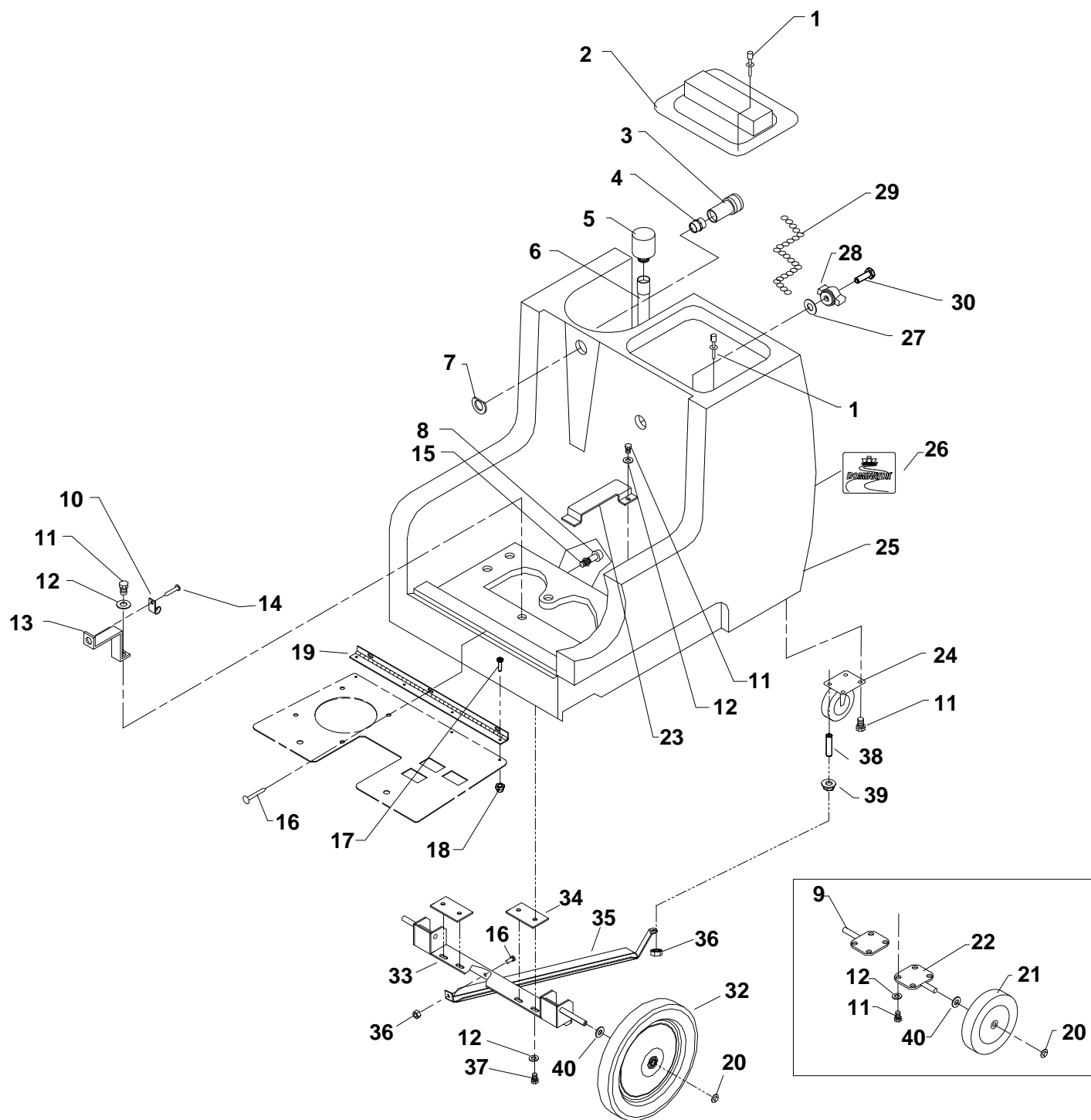
# PUMP & HEATER GROUP (200 PSI)



## PUMP & HEATER GROUP (200 PSI)

REF	PART NO.	PRV NO.	QTY	DESCRIPTION	SERIAL NO. FROM	NOTES:
1	86199640	030-16	1	ELBOW, 1/4 NPT STREET LONG 90D		
2	86200260	151-50C	1	HOSE, PULSE 47.0 1/4MPT X 1/4 MPT		
3	86197370	31017	1	ELBOW, 1/4 FPT X 1/4 FPT		INCLUDED IN HEATER ASSEMBLY
4	86005590	56014	1	NIPPLE, 1/4 CLOSE		INCLUDED IN HEATER ASSEMBLY
5	86033580	41515	1	HEATER ASM, D/B COMPLETE		
6	86197390	31021	1	ELBOW, 1/4 NPT 45 D STREET		
7	86201130	250-79	1	PUMPTEC 200 PSI PUMP & MOTOR		
8	86233150	20042	2	CLAMP, 3/8 HOSE (D-SLOT)		
9	86197940	40027	1	HOSEBARB, 3/8 MPT X 1/2 90D DL		
10	86005710	57105	2	NUT, 1/4-20 HEX W/ STAR WASHER		
11	86006850	70393	2	SET SCR, 1/4-20 X 1.25L		
12	86200270	151-51C	1	HOSE, PULSE 14.0 1/4 MPT X 1/4 MPT		
13	86197360	31016	1	ELBOW 1/4 NPT STREET		
14	86197630	40042	1	HOSEBARB 1/4 MPT X 1/2 H 90D		
15	86090920	065-28A	1	PLATE, PUMP MOUNT		
16	86280910	39174	1	HOSE, 1/2 ID WIREBOUND X 23"		

# SOLUTION TANK ASSEMBLY



## SOLUTION TANK ASSEMBLY

REF	PART NO.	PRV NO.	QTY	DESCRIPTION	SERIAL NO. FROM	NOTES:
1	86201290	280-02	2	RIVET AL. 3/16 X 1/2 CLOSED		
2	86201500	260-71	1	SOLUTION COVER D/B		
3	86002450	22015	1	COUPLER, 1/4 OD		
4	86005590	56014	1	NIPPLE, 1/4 CLOSE		
5	86199580	250-35	1	D/B BPR 200 PSI		
6	86200250	151-50B	1	HOSE, 42" GRY 3/8 1/4MPT X CUT		
7	86091260	87217	1	WASHER, 9/16 ID BENT		
8	86201590	290-08	1	SOL SCREEN (ACORN) W/ RUB BASE		
9	86090710	010-02	1	AXLE ASM, RIGHT		
10	86198460	20008	1	CLAMP, 5/8 NYLON UL/CSA		
11	86273830	70020	18	SCR, 1/4-20 X 1/2 HHCS SS		
12	86010630	87013	10	WASHER, 1/4 ID X 5/8 OD SS		
13	86090760	065-38B	1	BRACKET HEATER D/B 200		
14	86006590	70088	1	SCR, #10-32 X 1/2 PPHMS SS		
15	86240430	40083	1	HOSEBARB, 3/8MT X 3/8 NYLON		
16	86274290	70162	3	SCR, 10-32 X 3/8 PPHMS SS		
17	86006620	70127	4	SCR, 6-32 X 1/4 PPHMS SS		
18	86271350	57187	4	NUT, 6-32 ACORN, ZINC		
19	86200020	41393	1	HINGE, ACCESS PANEL		
20	86271380	57196	2	NUT, 1/2 PUSH-ON DOME CAP		
21	86202250	040-06	2	WHEEL 8' CENTERED HUB		
22	86090700	010-01	1	AXLE ASM, LEFT		
23	86090840	065-28	1	200 PUMP SUPPORT		
24	86199430	040-03	2	CASTER SWIVEL 4" SWIVEL		
25	86033530	75349	1	TANK, SOLUTION DOM 250 DK BLU		
26	86200680	500378	1	LABEL, DOMINATOR		
27	86202240	390-24	2	WASHER, 1/4 X 5/8 BONDED NEOPRN		
28	86242130	48100	1	KNOB, HEX PRESS-LOC WING		
29	86232790	27912	1	CHAIN ASM, #10 BEAD S/S W/EYES		
30	86276270	70619	1	SCR, 1/4-20 X 2.0 HHMS SS F/T		
31	86270900	57037	1	NUT, 1/4-20 WING SS		NOT SHOWN
32	86202280	89252	2	WHEEL, 12" BLK CNTRD HUB	1000137325	
33	86091430	05253	1	AXLE ASSEMBLY D.B.	1000137325	
34	86079100	620065	2	PLATE AXLE	1000137325	
35	86070910	140758	1	BRKT 12" WHEEL MNT BRACE	1000137325	
36	86005710	57105	2	NUT, 1/4 -20 HEX W/STAR WASHER		
37	86273780	70015	4	SCR, 1/4-20 X 3/4 HHCS SS NP		
38	86006850	70393	1	SET SCR, 1/4 -20 X 1.25		
39	86271370	57189	1	NUT, 1/4-20 FLANGE LOCK		
40	86010710	87080	2	WASHER, .5 X 1.25 FLAT GR8 PLT		

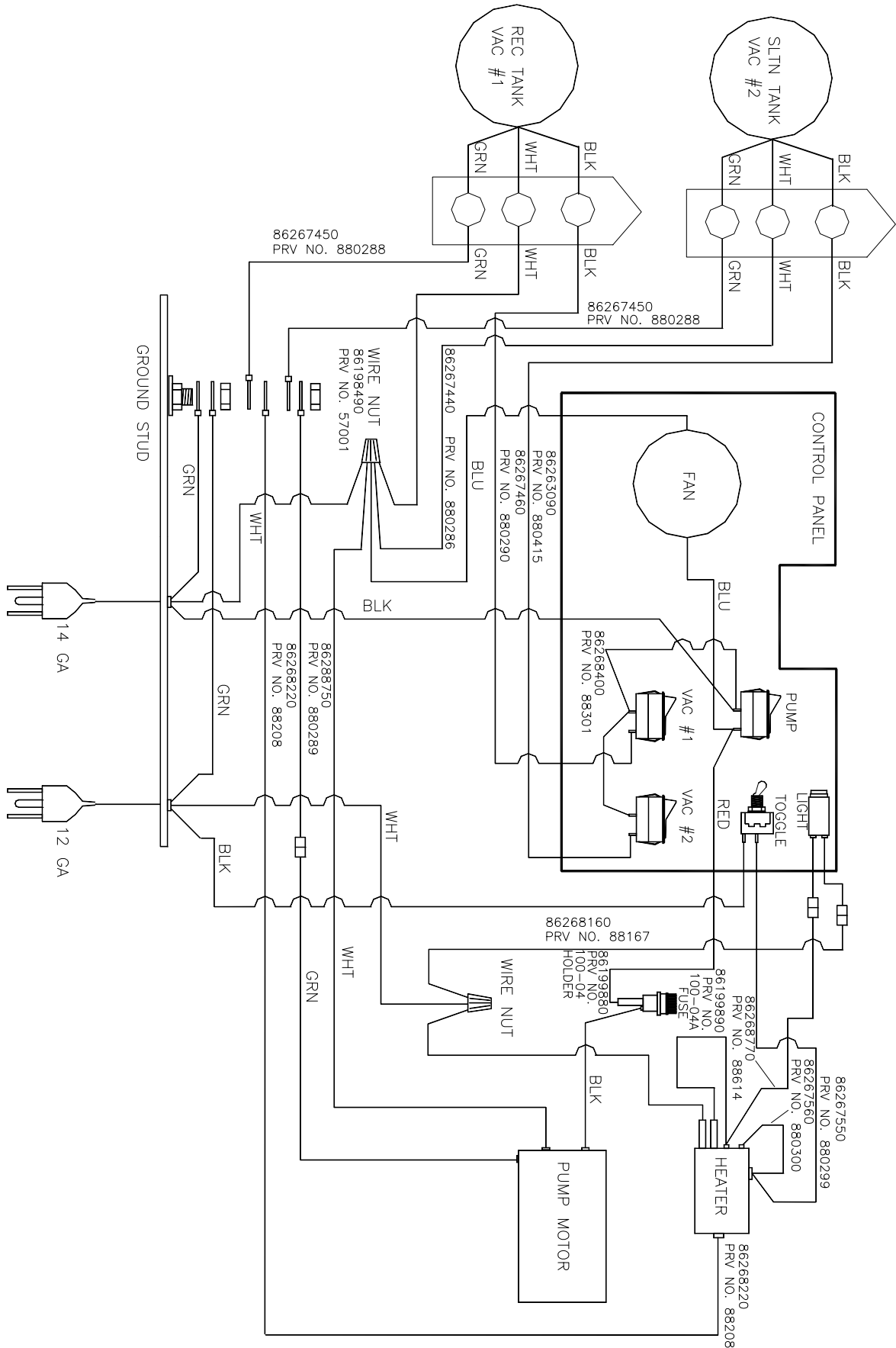
## SPARE PARTS

### SUGGESTED SPARE PARTS

PART NUMBER	PRV NO.	DESCRIPTION	SERIAL NO. FROM
86199890	100-04A	FUSE 3 AMP 200 PSI	
86199240	250-33A	BPR REPAIR KIT PUMPTEC	
86201810	130-14I	THERMOSTAT W/SPADE LEADS	
86201790	130-14C	THERMOSTAT RESET	
86201150	250-79E	PUMPTEC 300/400PSI PUMP KIT 1	
86201160	250-79F	PUMPTEC 300PSI PUMP KIT 2	
86201170	250-79G	PUMPTEC 300PSI REBUILD KIT 3	
86202070	360-04B	BRUSHES, VAC FOR 116392-00	
86135320	140687	BRUSH SET, 120V VAC WINDSOR	1000121568
86031620	85047	VAC MOTOR ASM, RCVRY 115V 2ST	
86031600	85045	VAC MOTOR ASM, SLTN 115V 2ST	
86201130	250-79	PUMPTEC 200PSI PUMP & MOTOR	
86256960	72142	SWITCH, SPST 15A EURO ROCKER	
86202280	89252	WHEEL 12" BLK CENTERED HUB	
86271380	57196	NUT, 1/2 PUSH-ON DOME CAP	
86199430	040-03	CASTER SWIVEL 4" SWIVEL	
86200500	140-11	KNOB RT/TANK	
86002620	260-64A	ACCESS COVER CLEAR 6" W/RIM	
86201590	290-08	SOL SCREEN (ACORN) W/RUB BASE	
86199620	370-08	DUMP VALVE SEAL 1-1/2"	
86261300	51116	LIGHT ASM, 115V BRUSH	
86201840	330-05	TOGGLE SWITCH	
86200300	39572	HOSE, PRIMING KIT FEMALE QC	



# 115V WIRING DIAGRAM



## Free Manuals Download Website

<http://myh66.com>

<http://usermanuals.us>

<http://www.somanuals.com>

<http://www.4manuals.cc>

<http://www.manual-lib.com>

<http://www.404manual.com>

<http://www.luxmanual.com>

<http://aubethermostatmanual.com>

Golf course search by state

<http://golfingnear.com>

Email search by domain

<http://emailbydomain.com>

Auto manuals search

<http://auto.somanuals.com>

TV manuals search

<http://tv.somanuals.com>