

TITAN



Operating Instructions

MODELS: T708 T708IE
 T716 T716IE
 T720TP

QUEST® ... for Continuous Improvement.
Windsor's Quality Management System is Certified ISO 9001.



230 VOLT ONLY



120 VOLT ONLY

Read ALL instructions before using the machine .



98919 08/16/06

IMPORTANT SAFETY INSTRUCTIONS

When using an electrical appliance, basic precaution must always be followed, including the following:

READ ALL INSTRUCTIONS BEFORE USING THIS MACHINE.

This machine is for commercial use.

WARNING



DANGER: Failure to read and observe all DANGER statements could result in severe bodily injury or death. Read and observe all DANGER statements found in your Owner's Manual and on your machine.



WARNING: Failure to read and observe all WARNING statements could result in injury to you or to other personnel; property damage could occur as well. Read and observe all WARNING statements found in your Owner's Manual and on your machine.



CAUTION: Failure to read and observe all CAUTION statements could result in damage to the machine or to other property. Read and observe all CAUTION statements found in your Owner's Manual and on your machine.



DANGER: Failure to read the Owner's Manual prior to operating or attempting any service or maintenance procedure to your machine could result in injury to you or to other personnel; damage to the machine or to other property could occur as well. You must have training in the operation of this machine before using it. If you or your operator(s) cannot read English, have this manual explained fully before attempting to operate this machine.



DANGER: Operating a machine that is not completely or fully assembled could result in injury or property damage. Do not operate this machine until it is completely assembled. Inspect the machine carefully before operation. Use only as described in this manual. Use only the manufacturer's recommended attachments.



DANGER: Machines can cause an explosion when operated near flammable materials and vapors. Do not use this machine with or near fuels, grain dust, solvents, thinners, or other flammable materials.



DANGER: **Do not** pick up flammable fluids, dust or vapors.



DANGER: **Do not** vacuum anything that is burning or smoking, such as cigarettes, matches, or hot ashes.



DANGER: This machine **is not** suitable for picking up health endangering dust.



DANGER: Using a machine with a damaged power cord could result in an electrocution. Do not use the machine if the power cord is damaged. Do not use the electrical cord to move the machine. Keep cord away from heated surfaces. Do not unplug by pulling on the cord; grasp the plug, not the cord. Turn off all controls before unplugging. Do not close a door on cord or pull around sharp edges or corners.



DANGER: Electrocutation could occur if maintenance and repairs are performed on a unit that is not properly disconnected from the power source. Disconnect the power supply before attempting any maintenance or service.



WARNING: Operating a machine without observing all labels, decals, etc., could result in injury or damage. Read all machine labels before attempting to operate the machine. Make sure all of the labels are attached or fastened to the machine. Get replacement labels and decals from the manufacturer's distributor.



WARNING: Electrical components can "short-out" if exposed to water or moisture. Keep the electrical components of the machine dry. Always store the machine in a dry area.



WARNING: Use of this machine to move other objects or to climb on could result in injury to the operator or damage to the machine. Do not use this machine as a step or furniture. Do not allow to be used as a toy. Close attention is necessary when used by or near children.



WARNING: Moving parts of this machine can cause injury and/or damage. Keep hands, feet, loose clothing, hair, fingers, and all parts of the body away from openings and moving parts.



WARNING: Electrocutation could occur if you handle the plug or appliance with wet hands. Do not handle plug or appliance with wet hands.



WARNING: The machine employs a removable float for wet pick-up operation to reduce risk of electric shock. Always install float before any wet pick-up operation.



WARNING: Rotating fan blades inside the cover. Before opening cover, switch off machine. Wait until the fan/brush stops completely or dust and debris may be ejected.



WARNING: If the machine is **not working properly**, has been dropped, damaged, left outdoors, or dropped into water, return it to an Authorized service center.



WARNING: Damage could occur to machine if openings are blocked. Do not put any object into openings. Do not use with any opening blocked; keep free of dust, lint, hair, and anything that may reduce air flow.



WARNING: Injury could occur to the operator or the machine if used without the dust bag and/or filters. Do not use the machine without the dust bag and/or filters in place.



WARNING: Injury to the operator and/or damage to the machine could occur when cleaning on stairs, unless extra caution is used. Use extra caution when cleaning on stairs.



WARNING: To reduce the risk of electrical shock, always use a 3-wire electrical system connected to the electrical ground. Whenever possible connect the machine to an outlet protected by a ground fault interrupter (GFCI). See "Grounding Instructions."

SAVE THESE INSTRUCTIONS

THIS PRODUCT IS FOR COMMERCIAL USE ONLY.

ELECTRICAL:

The amp, hertz, and voltage are listed on the data label found on each machine. Using voltages above or below those indicated on the data label will cause serious damage to the motors.

EXTENSION CORDS:

If an extension cord is used, the wire size must be at least one size larger than the power cord on the machine, and must be limited to 50 feet (15.5m) in length.

GROUNDING INSTRUCTIONS:

This appliance must be grounded. If it should malfunction or break down, grounding provides a path of least resistance for electric current to reduce the risk of electric shock. This appliance is equipped with a cord having an equipment-grounding conductor and grounding plug. The plug must be inserted into an appropriate outlet that is properly installed and grounded in accordance with all local codes and ordinances.

Improper connection of the equipment-grounding conductor can result in a risk of electric shock. Check with a qualified electrician or service person if you are in doubt as to whether the outlet is properly grounded. Do not modify the plug provided with the appliance - if it will not fit the outlet, have a proper outlet installed by a qualified electrician.

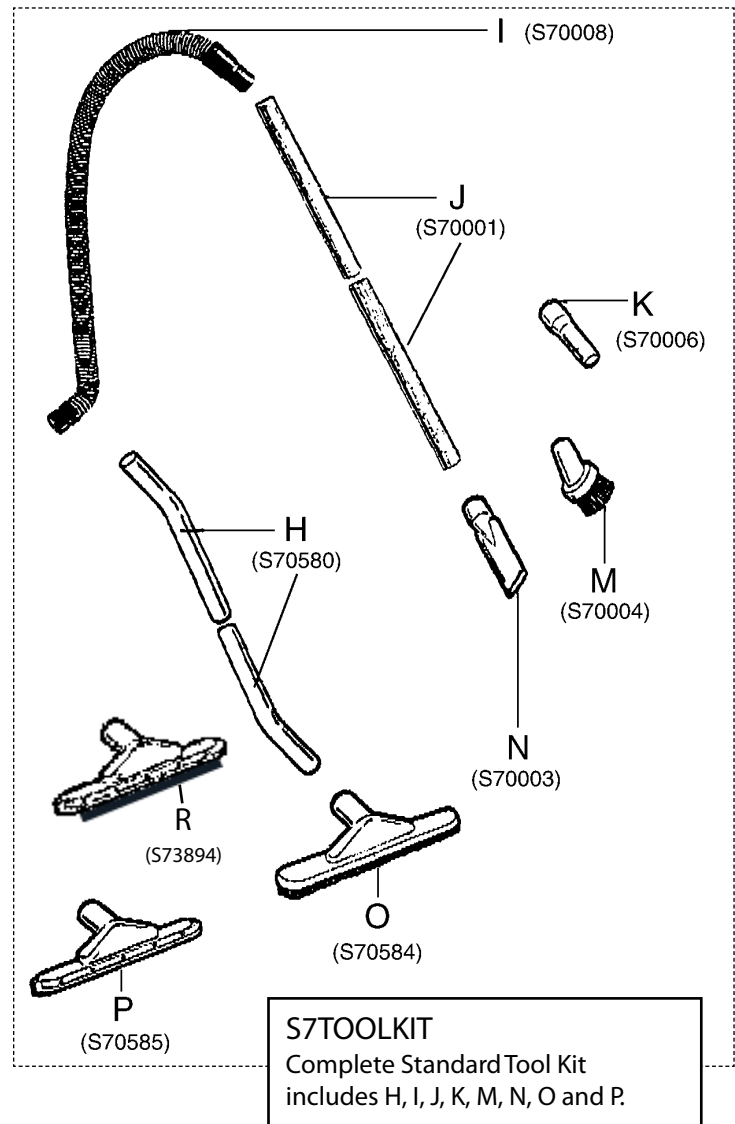
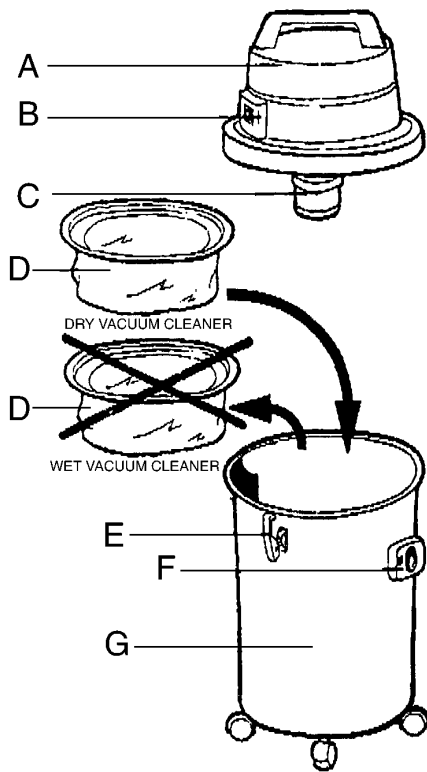
VACUUM AND ACCESSORIES

- A Motor Block
- B On/Off Switch
- C Float: Keeps liquid out of Motor Block
- D Polyester Filter: Remove for use with liquids
- E Hooks: Secure Motor Block to Tank
- F Suction Inlet
- G Tank
- H 2-pc. Chrome Wand
- I 10-ft. x 1-1/2" Flexible Hose
- J 2-pc PVC Wand
- K Universal Adapter
- M 3" Round Brush
- N Crevice Tool
- O 16" Brush
- P 16" Squeegee
- R Fixed Carpet Tool

ATTENTION: The Polyester Filter must be cleaned after each use to maintain efficient suction.

IMPORTANT INSTRUCTIONS

- Before use, the equipment must be correctly assembled with all its components.
- Check that electrical outlet is correct for use with the plug on the machine.
- Before connecting, check that the specified motor voltage corresponds to the main voltage available.
- Never use the equipment near inflammable, explosive or toxic substances: sparks from the motor could cause dangerous reactions.
- Always unplug the machine from electrical outlet when leaving machine unattended or before attempting any repair.
- Service and repair should be done by qualified personnel only. Use only original manufacturer's replacement parts.



OPERATION

This machine is a commercial vacuum designed for wet and dry pick-up.

Dry soil can be vacuumed directly into the tank. To empty the tank of dry soil, remove the top and dump into trash receptacle.

For wet pick-up, remove polyester filter. The machine is equipped with a float shut-off. As the tank is filled to capacity, a float rises and seals the vac intake, causing loss of vacuum. Switch off the vacuum when this happens and bring the machine to a floor drain.

Use the convenient drain hose at the back of the vacuum to empty the tank.

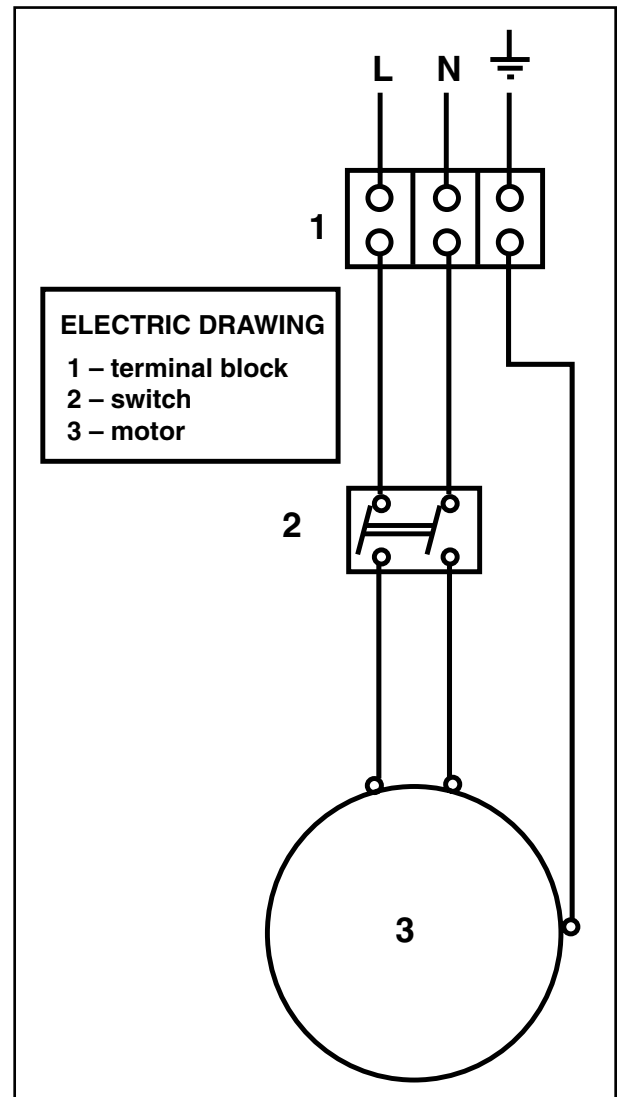
With both wet and dry applications be sure to frequently clean the filter. This is especially true when the vacuum is being used with strippers and wax.

DAILY MAINTENANCE

Caution: Strippers and some detergents produce foam which will damage the vac motors. The vac shut-off may not be sensitive to all foams. Be sure to check that the tank is not filling with foam. Use a defoaming agent to avoid pulling foam through vac motor. Should vac motor become wet, remove source of overflow and immediately run vac motor open to dry.

At the end of each working day:

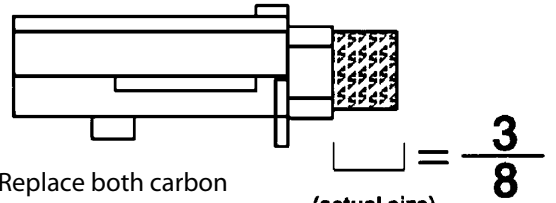
1. After each use, rinse tank with fresh water. Periodically inspect the recovery tank and decontaminate if necessary, using a Hospital Grade Virucide or a 1:10 bleach to water solution. Waste water should be disposed of properly.
2. Remove head assembly and allow tank to dry.
3. Remove filters for cleaning or to allow to dry.
4. Inspect hoses for wear. Frayed or cracked hoses should be replaced to avoid vacuum loss.
5. Inspect power cord for wear. This cable will lay on wet surfaces. To prevent electrical shock replace cords with frayed or cracked insulation immediately.



PERIODIC MAINTENANCE

(Every six to twelve months):

1. Check filter for wear, replace dirt saturated filters that do not respond to normal cleaning.
2. Inspect gasket seals and replace those which have begun to leak.
3. Examine carbon motor brushes and commutator.



Replace both carbon brushes when either is less than 3/8" long. (PN S8TOEG845) 120V
(PN S8TOGB839) 230V

SERVICING THE FILTER

The filter is accessed by lifting the head assembly off the tank.

Polyester filter is easily removed by simply lifting the filter basket out of the tank.

Cartridge filters – Remove the filter retainer by turning the black knob 90 degrees counter-clockwise.

Cartridge filter will then slide off of float assembly.

NOTE:

Be sure to frequently clean the filter.

Allow filter to dry after being used for wet pick-up.

Filters used for wet pick-up including stripper must be thoroughly cleaned before being allowed to dry.

Worn filters can affect vacuum performance. Replace the filter when it becomes worn out and normal cleaning will not restore vac performance.

SERVICING THE VAC MOTOR

MOTOR REPLACEMENT

1. Disconnect power cord from power source.
2. To access the vac motor, remove the screws that attach the main cover to the head assembly and set the cover to one side.
3. Disconnect the motor 's 2 red lead wires from the main switch.
4. Disconnect green/yellow wire by removing screw from motor core.
5. Remove the four motor mounting screws.
6. Remove motor plate and set aside.
7. Take out the motor and remove the upper and lower gaskets.
8. Inspect gaskets. If they shown any wear or tear in the material, replace.
9. Install gaskets onto new motor. Make sure gaskets are properly seated.
10. Install the new motor. Make sure foam mufflers are positioned properly.
11. Attach motor plate to motor.
12. Connect green/yellow wire to motor core.
13. Connect motor 's 2 red lead wires to main switch.
14. Re-assemble vac cover.
15. Test for proper operation.

SERVICING THE VAC MOTOR

CARBON BRUSH REPLACEMENT

1. Disconnect power cord from power source.
2. To access the vac motor, remove the screws that attach the main cover to the head assembly and set the cover to one side.
3. Remove the motor cover by removing two screws. See Figure 1
4. Remove the wire terminal from carbon brush housing. See Figure 2
5. Remove the carbon brush assembly by removing the 2 screws that attach it to the vac motor. See Figure 3
6. Inspect armature commutator. If it is extremely pitted, grooved or not concentric then the motor will need to be replaced or sent to a qualified service center.
7. Slide the yellow brush housing from plastic holder. See Figure 4
8. Reverse steps 7 through 4 to install new brush and housing (part number S8TOEG845 120 V - S8TOGB839 230 V)
9. Repeat steps 4 through 8 for the other carbon brush.
10. Reverse steps 3 and 2 for re-assembly.
11. Test for proper operation

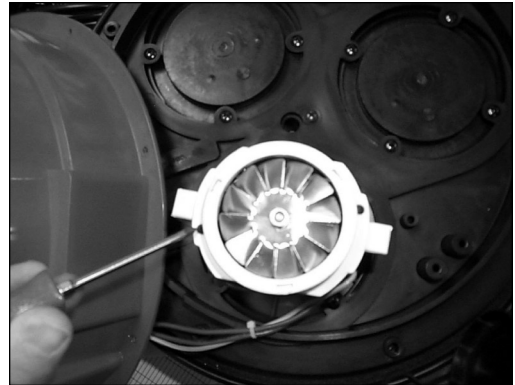


Fig. 1



Fig. 2

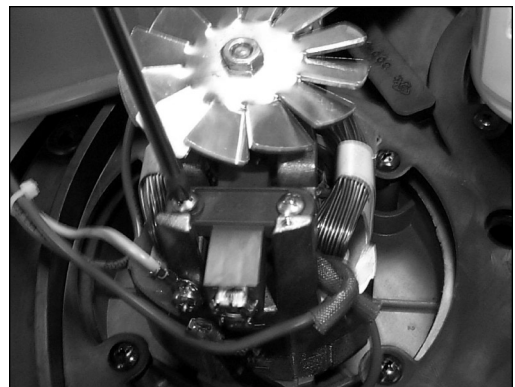


Fig. 3

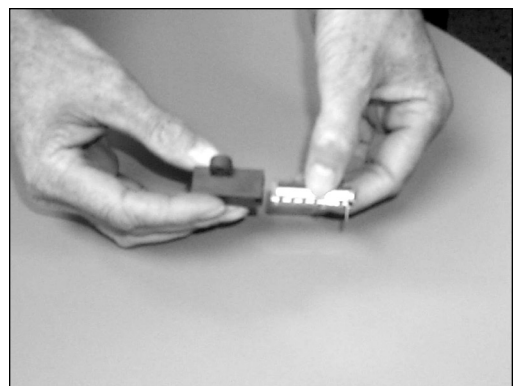
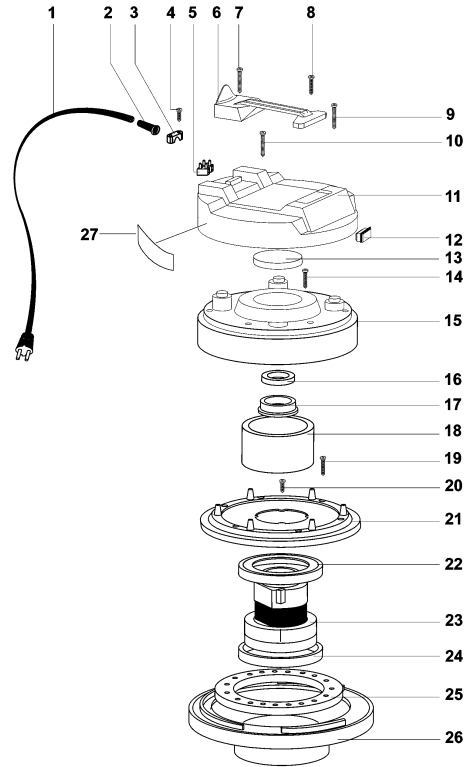


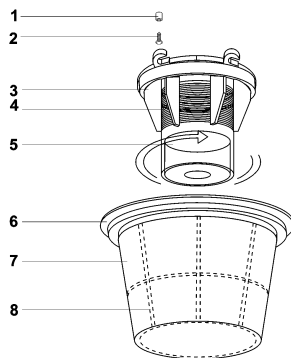
Fig. 4

T708/T708IE VACUUM MOTOR ASSEMBLY

No.	Part Num.	Description	Qty.
1.	S81122	Cord, 120 Volt	1
	S80117	Cord, 230 Volt	1
2.	S80138	Strain Relief	1
3.	S80139	Terminal Clip	1
4.	S81006	Screw, 5 x 20	2
5.	S80450	Terminal Block	1
6.	S83733AUG6	Handle, Gray	1
7.	S82627	Screw, 5 x 40	4
8.	S81006	Screw, 5 x 20	2
9.	S81054	Screw, 5 x 30	2
10.	S81054	Screw, 5 x 30	2
11.	S83734AUB.LAB	Cover	1
12.	S80326	Switch, On/Off	1
13.	S83937	Filter, Ø95	1
14.	S81050	Screw, 5 x 35	6
15.	S82738AUG6	Cover, Motor, Gray	1
16.	S83969	Gasket	1
17.	S80310	Ring	1
18.	S83900	Filter	1
19.	S82627	Screw, 5 x 40	6
20.	S81006	Screw, 5 x 20	4
21.	S82591AUG6	Motor Ring, Gray	1
22.	S83901	Gasket	1
23.	S81120S	Motor, 120 Volt	1
	S83891S	Motor, 230 Volt	1
24.	S83901	Gasket	1
25.	S83866	Disk, Noise Reduction	1
26.	S81189GG6	Base, Motor, Gray	1
27.	T9008	Label, Windsor Logo	1



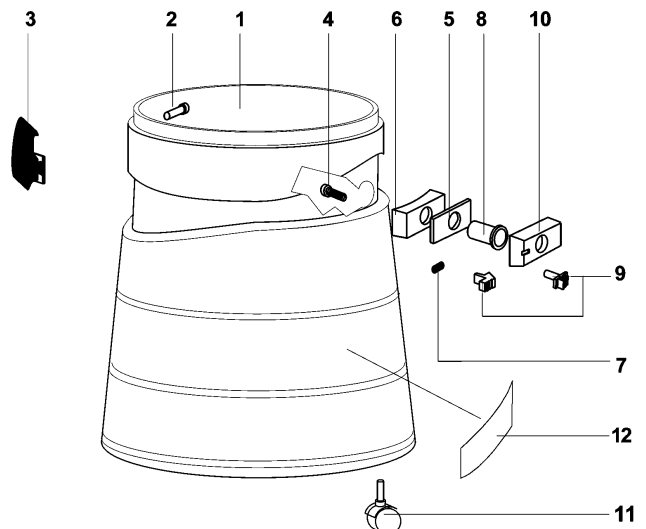
T708 FILTER GROUP



No.	Part Num.	Description	Qty.
1.	S83706	Bushing	4
2.	S83724	Screw, 5 x 25	4
3.	S82823	Body, Filter Support	1
4.	S83138	Filter/Strainer	1
5.	S82676	Float	1
6.	S80123	Ring, Filter	1
7.	S82860	Filter Bag	1
8.	S82859	Support, Filter Bag	1

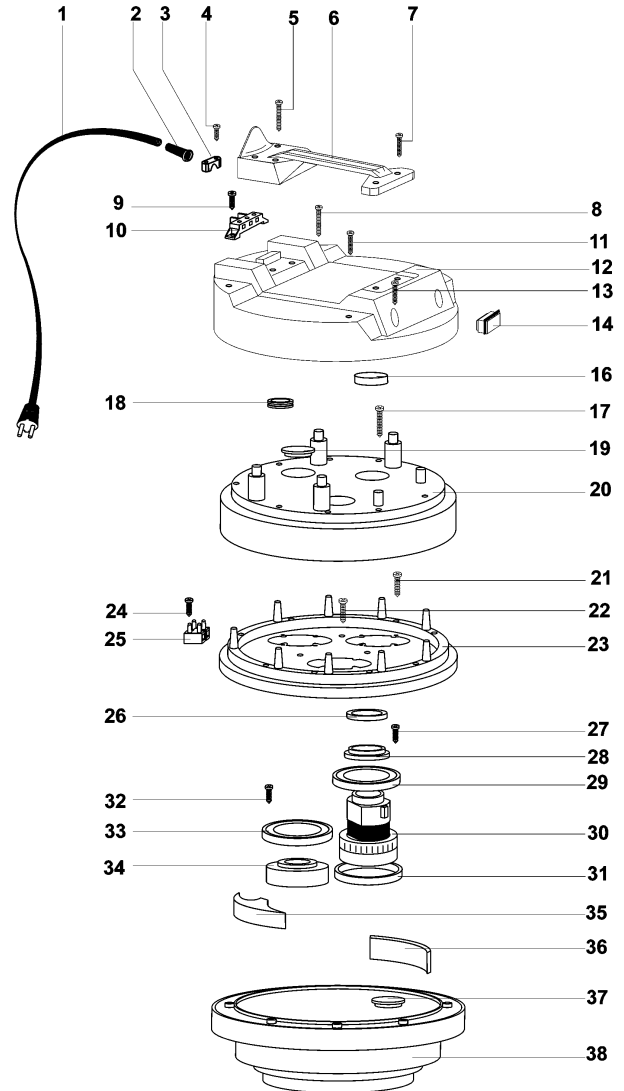
T708 TANK ASSEMBLY

No.	Part Num.	Description	Qty.
1.	S82599	Tank	1
2.	S81300	Rivet, 5 x 24.5	4
3.	S81847G6	Tank Clamp	2
4.	S81050	Screw, M5 x 35	4
5.	S82846	Gasket	1
6.	S82585AG6BL	Retainer, Tank Adapter	1
7.	S82608	Spring, Push Button	1
8.	S82593	Tank Deflector	1
9.	S82594BL	Push Button, Two-Piece, Blue	1
10.	S82583AG6BL	Hose Adapter, Blue	1
11.	S80558	Caster	6
12.	T9007	Label, Titan	1



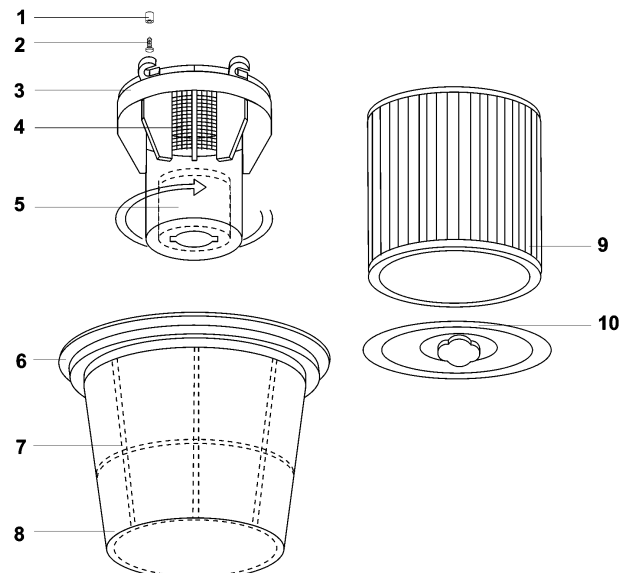
T716/T720TP VACUUM MOTOR ASSEMBLY

No.	Part Num.	Description	Qty.
1.	S81122	Cord, 120 Volt	1
	S80117	Cord, 230 Volt	1
2.	S80138	Strain Relief	1
3.	S80139	Bracket	1
4.	S81006	Screw, 5 x 20	2
5.	S81054	Screw, 5 x 50	4
6.	S86097AUG6	Handle, Gray	1
7.	S81979	Screw, 5 x 25	2
8.	S81054	Screw, 5 x 50	2
9.	S81005	Screw, 5 x 14	2
10.	S80490	Terminal Block	1
11.	S81006	Screw, 5 x 20	2
12.	S86070AUB.LAB	Cover, Blue	1
13.	S81979	Screw, 5 x 25	2
14.	S80326	Switch, On/Off	1
16.	S83937	Filter	1
17.	S81054	Screw, 5 x 50	9
18.	S81502	Gasket	1
19.	S83383	Cap	2
20.	S82957AUG6	Cover, Gray	1
21.	S82627	Screw, 5 x 40	9
22.	S82627	Screw, 5 x 40	3
23.	S82937AUG6	Motor Base, Gray	1
24.	S81004	Screw, 3 x 19	1
25.	S80450	Terminal Block	1
26.	S83969	Gasket	1
27.	S81006	Screw, 5 x 20	4
28.	S80310	Ring	1
29.	S83901	L-Gasket	1
30.	S81120S	Motor, 120 Volt	1
	S83891S	Motor, 230 Volt	1
31.	S83901	L-Gasket	1
32.	S81006	Screw, 5 x 20	8
33.	S83901	L-Gasket	2
34.	S83451	Motor Seal	2
35.	S82454	Filter	3
36.	S83456	Filter Plug	3
37.	S83519	Base Plug	1
38.	S83108GG6	Base	1



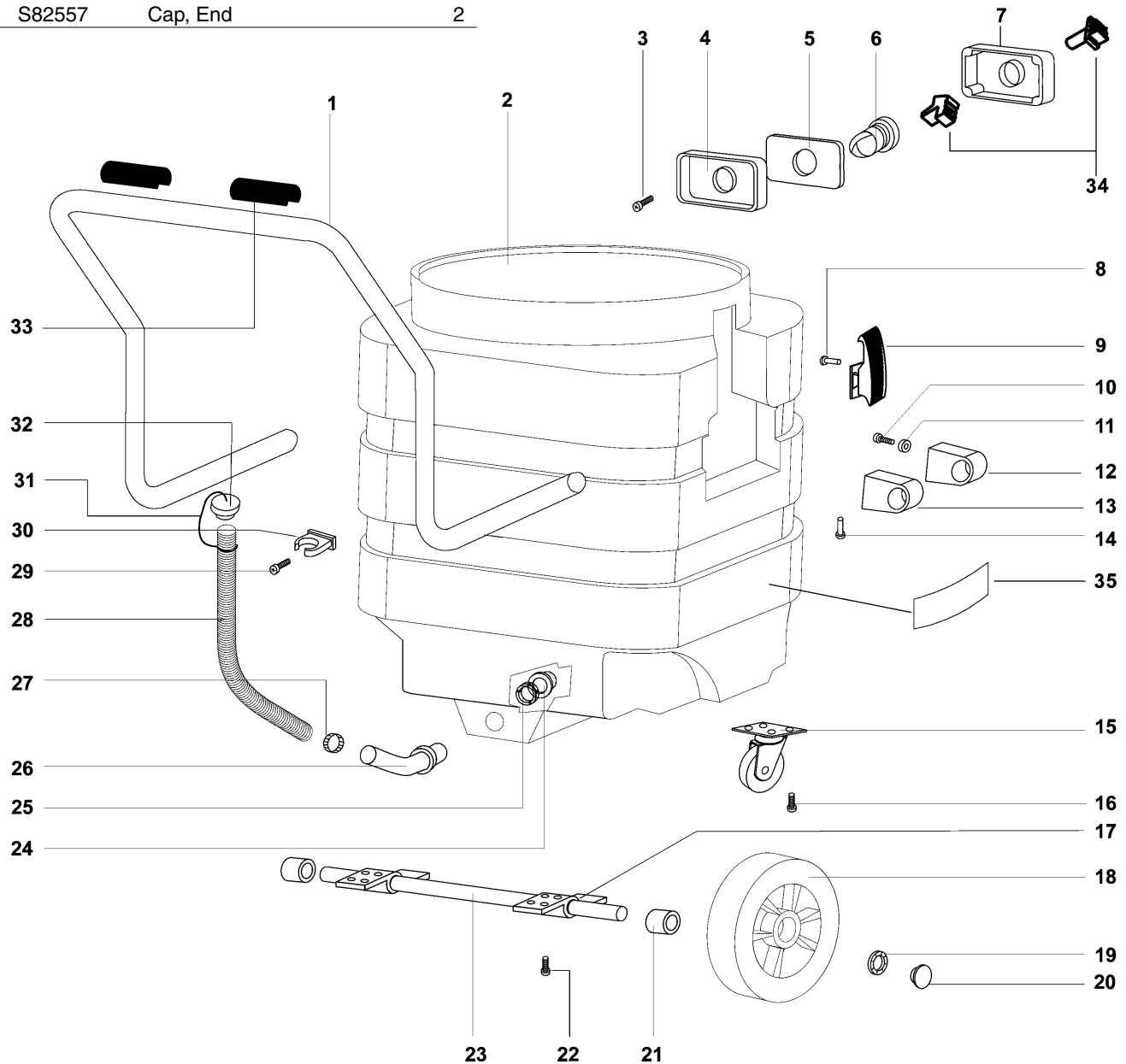
T716/T720TP FILTER GROUP

No.	Part Num.	Description	Qty.
1.	S83706	Bushing	4
2.	S83724	Screw, 5x25	4
3.	S82823	Body, Filter Support	1
4.	S83117	Strainer	1
5.	S82676	Float	1
6.	S80473	Filter Ring	1
7.	S82845	Filter Bag	1
8.	S82833	Support, Filter	1
9.	S82852	Filter – OPTIONAL	1
10.	S82855	Filter Retainer – OPTIONAL	1



T716 TANK ASSEMBLY

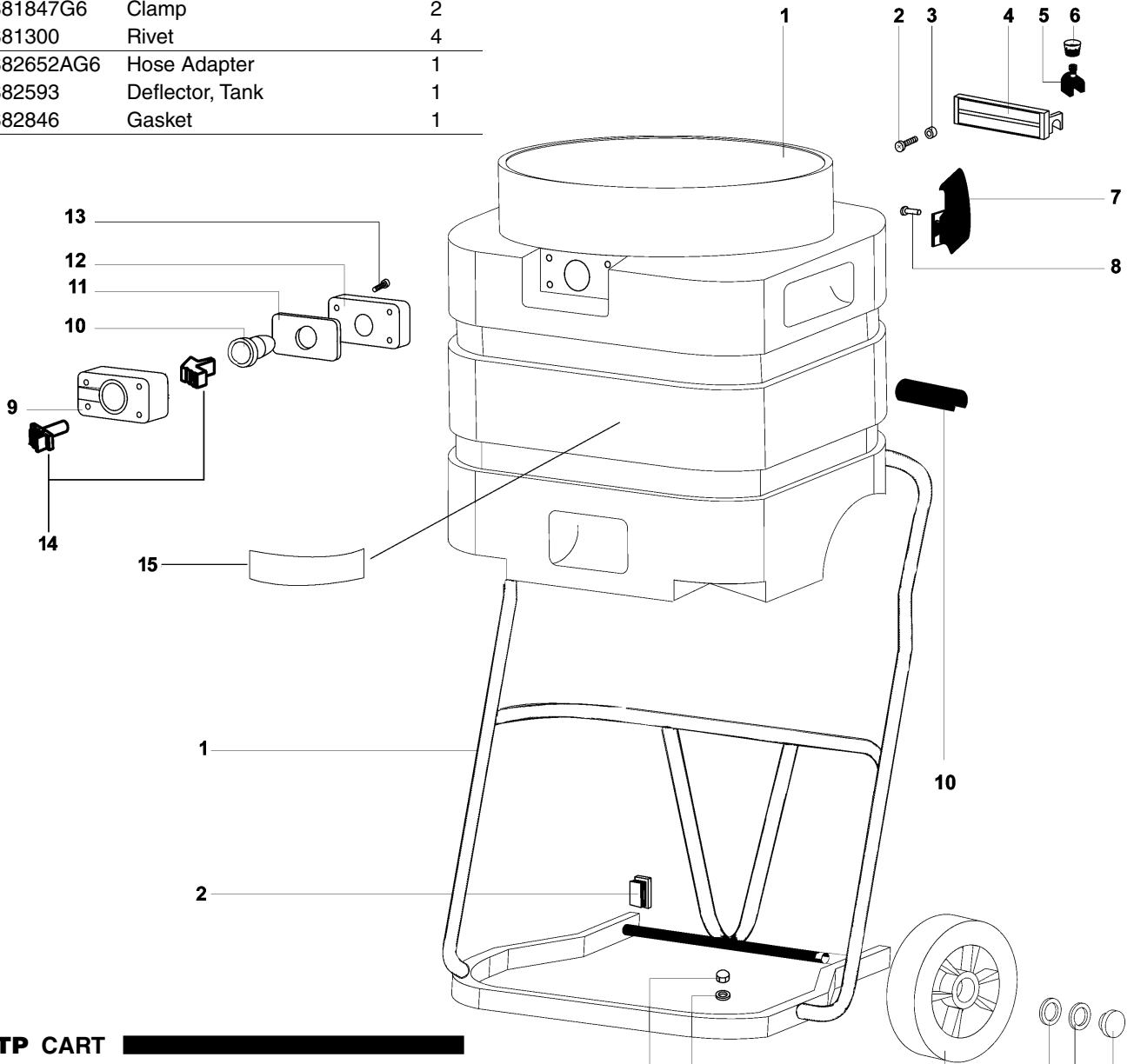
No.	Part Num.	Description	Qty.	No.	Part Num.	Description	Qty.
1.	S82558V	Handle	1	20.	S83835	Axle Cap	2
2.	S82637	Tank - 400	1	21.	S82607	Spacer, Wheel	2
3.	S82016	Screw, M5x30	4	22.	S81006	Screw, M5 x 20	8
4.	S82584AG6	Retainer, Tank	1	23.	S82555	Axle	1
5.	S82846	Gasket	1	24.	S80834	Nut, Flange, 1-1/4	1
6.	S82593	Deflector, Tank	1	25.	S80256	Gasket	1
7.	S82652AG6	Adapter	1	26.	S82763	Elbow	1
8.	S81300	Rivet, 5 x 24.5	4	27.	S83308	Clamp	1
9.	S81847G6	Clamp	2	28.	S82765	Drain Tube	1
10.	S81050	Screw, M8 x 15	8	29.	S83156	Screw, M5 x 20	1
11.	S83883	Plastic Washer	8	30.	S82788	Clip Tube	1
12.	S81072	Support, Handle	2	31.	S82812	Tie Rod, Plug	1
13.	S81860	Support	2	32.	S82764	Plug, Stopper	1
14.	S81302	Rivet, M5 x 19	2	33.	S86250	Handgrip	2
15.	S82559	Wheel Caster	2	34.	S825948L	Push Button, Two-Piece, Blue	1
16.	S82680	Screw, M8 x 15	8	35.	T9007	Label, Titan	1
17.	S82556	Support, Axle	2				
18.	S80904	Wheel	2				
19.	S82557	Cap, End	2				



T720TP TANK ASSEMBLY

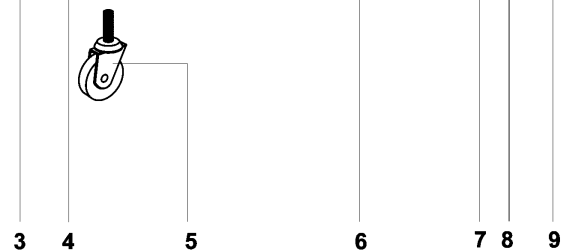
No.	Part Num.	Description	Qty.
1.	S82048	Tank – 400	1
2.	S81026	Screw, M5 x 30	4
3.	S83883	Plastic Washer	4
4.	S83028	Hook, Latch	1
5.	S82970	Release Swivel	2
6.	S82969	Release Knob	2
7.	S81847G6	Clamp	2
8.	S81300	Rivet	4
9.	S82652AG6	Hose Adapter	1
10.	S82593	Deflector, Tank	1
11.	S82846	Gasket	1

No.	Part Num.	Description	Qty.
12.	S82586AG6	Retainer, Tank Adapter	1
13.	S81050	Screw, M5 x 35	4
14.	S82594BL	Push Button, Two-Piece, Blue	1
15.	T9007	Label, Titan	1

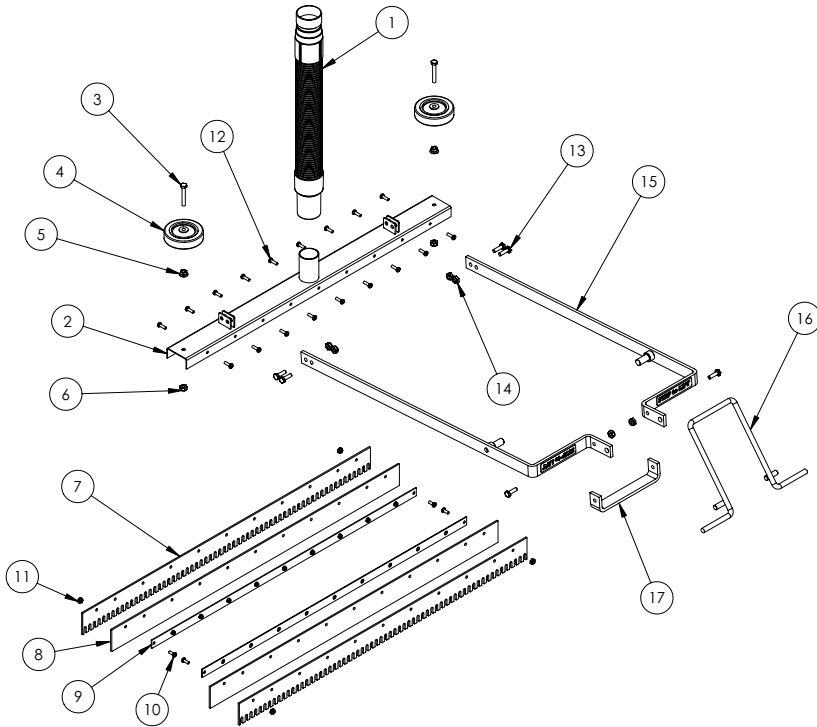


T720TP CART

No.	Part Num.	Description	Qty.
1.	S82185	Base	1
2.	S80976	Plastic Pad	2
3.	S80478	Nut, M10	2
4.	S81012	Washer, M10	2
5.	S80479	Wheel, Caster	2
6.	S82896	Wheel	2
7.	S82922	Washer	2
8.	S83607	Plastic Retainer	2
9.	S82972	Axle Cap	2
10.	S86250	Hand Grip	2

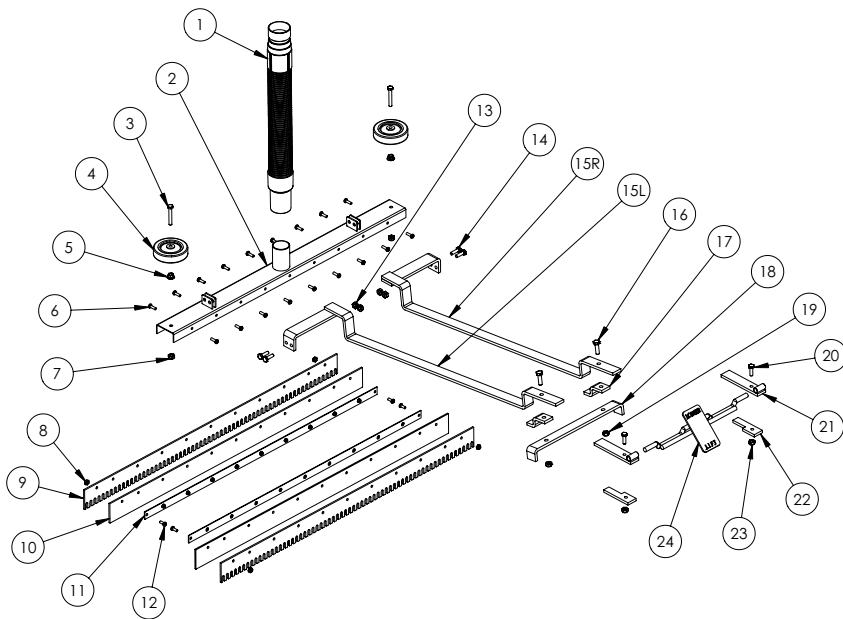


TSQ16 FRONT-MOUNTED SQUEEGEE



No.	Part Num.	Description	Qty.
1.	BD705205	Hose Assembly	1
2.	BD715508	Housing	1
3.	BD735608	Bolt, Guide Wheel, 1/4-20 x 1.75"L.	2
4.	BD735607	Guide Wheel	2
5.	BD735611	Jam Nut, 1/4-20 serrated flanged	2
6.	BD735609	Nylock Nut, 1/4-20	2
7.	BD735602	Slotted Blade	2
8.	BD735601	Solid Blade	2
9.	BD715509	Blade Support	2
10.	BD735604	Blade End Screw, 10-32 x 1/2"L, SS	4
11.	BD735605	Blade End Screw Nut, 10-32, Nylock	4
12.	BD735603	Blade Attach't Screw, 10-32 x 5/8"L SS	18
13.	BD735612	Mounting Bolts, 1/4-20 x 3/4"L	6
14.	BD735609	Nylock Nut, 1/4-20	6
15.	BD705201	Lifting Arm	2
16.	BD705203	Latch	1
17.	BD705202	Cross Member	1
2.-12.	BD705200	Complete squeegee assembly	1

TSQ20 FRONT-MOUNTED SQUEEGEE



No.	Part Num.	Description	Qty.
1.	BD705205	Hose Assembly	1
2.	BD715508	Housing	1
3.	BD735608	Bolt, Guide Wheel, 1/4-20 x 1.75"L.	2
4.	BD735607	Guide Wheel	2
5.	BD735611	Jam Nut, 1/4-20 serrated flanged	2
6.	BD735603	Blade Attach't Screw, 10-32 x 5/8"L SS	18
7.	BD735609	Nylock Nut, 1/4-20	2
8.	BD735605	Blade End Screw Nut, 10-32, Nylock	4
9.	BD735602	Slotted Blade	2
10.	BD735601	Solid Blade	2
11.	BD715509	Blade Support	2
12.	BD735603	Blade Attach't Screw, 10-32 x 5/8"L SS	4
13.	BD735609	Nylock Nut, 1/4-20	4
14.	BD735612	Mounting Bolts, 1/4-20 x 3/4"L	4
15R.	BD705225R	Lifting Arm Right Side	1
15L.	BD705225L	Lifting Arm Left Side	1
16.	BD735613	Bolt, Lifting Arm Clamp, 5/16-18 x 1"L.	2
17.	BD705209	Clamp, Lifting Arm	2
18.	BD705210	Cross Member	1
19.	BD735614	Nylock Nut, 5/16-18	2
20.	BD735612	Bolt, Pedal Mount, 1/4-20 x 3/4"L.	2
21.	BD705212	Pedal Mount	2
22.	BD705213	Clamp, Pedal Mount	2
23.	BD735609	Nylock Nut, 1/4-20	2
24.	BD705229	Pedal Assembly	1

LABELS

T9008 Windsor
T9007 Titan Logo

ACCESSORIES

TSQ16 Front Mounted Squeegee
TSQ20 Front Mounted Squeegee
S72741 Paper Bag
S82860 Filter Bag, Standard for 708 Model
S82845 Filter Bag, Standard for T716 and T720TP
S82852* Filter Cartridge, Paper, Optional for T716 and T720TP
S76061* Filter Cartridge, Washable Paper, Optional for T716 and T720TP
S82995* Filter Cartridge, HEPA Equivalent, Optional for T716 and T720TP
S82881 Filter Cartridge, HEPA Equivalent, Optional for T708
S82855 Cartridge Filter Retainer, for T716 and T720TP

**also order S82855 Retainer with Filter*

**RECOMMENDED
SPARE PARTS**

S8TOEG845. . . . Motor Brush, 120 Volt Motor
S8TOGB839. . . . Motor Brush, 230 Volt Motor
S80326. Switch, On/Off
S82860. Polyester Filter, T708
S82845. Polyester Filter, T716 and T720TP
S83117. Strainer



WINDSOR INDUSTRIES

North American New Machine Warranty

Effective on all products shipped *AFTER* March 1, 2005

Limited Warranty

Windsor Industries, Inc. warrants new machines against defects in material and workmanship under normal use and service to the original purchaser. Any statutory implied warranties, including any warranty of merchantability or fitness for a particular purpose, are expressly limited to the duration of this written warranty. Windsor will not be liable for any other damages, including but not limited to indirect or special consequential damages arising out of or in connection with the furnishing, performance, use or inability to use the machine. This remedy shall be the exclusive remedy of the buyer. The warranty period is subject to the conditions stated below.

10 / 3 Warranty: 10 Years Polyethylene (PE) Housings, 3 Years Parts, and Service Labor

Subject to conditions outlined below, Windsor Industries warrants rotationally molded PE housings and parts on all of its machines to be free from defects in material and workmanship, under normal use and service for ten (10) years to the original owner.

Under this warranty we guarantee the performance of non-polyethylene parts and components to be free from defects for up to three (3) years or up to 2,500 hours of operation, whichever comes first, to the original end user. Parts replaced or repaired under this warranty are guaranteed for the remainder of the original warranty period. (See table below)

Service labor charges are covered for up to three (3) years or up to 2,500 hours of operation, whichever comes first, from the date of purchase through authorized Windsor service provider. No travel coverage is extended for cord-electric models. See table below for each general product model warranty coverage.

Product	PE Housing & Parts	Non- PE Parts	Service Labor	Travel
Rider / Stand up Scrubbers	10 years	3 years or 2000 hours	3 years or 2000 hours	6 Months
Rider Sweepers	10 years	3 years	3 years	6 Months
Walk Behind Scrubbers	10 years	3 years or 2500 hours	3 years or 2500 hours	6 Months
Walk Behind Sweepers	10 years	3 years	3 years	6 Months
Battery Burnishers	10 years	3 years	3 years	6 Months
Extractors / Compass	10 years	3 years	3 years	-
Polishers / Elec. Burnishers / GH	10 years	3 years	3 years	-
Wide Areas Vacuums	10 years	3 years	3 years	-
VacPak Vacuums	10 years	1 year	1 year	-
Tracer/Flex Sweepers/Scrubbers	10 years	3 year	3 months	90 days
Air Movers / Dri-matic / TITAN™ /Rombus	1 year	1 year	1 year	-
Propane Burnishers / Strippers	-	2 year	1 year	-

VERSAMATIC® / FLEXAMATIC®	Brush motor, Vacuum motor, Belts, Swivel Neck – 3 years	All other parts/Labor – 1 year
SENSOR®	Vacuum motor, Belts – 2 years	All other parts/Labor – 1 year

Product exceptions and Exclusions:

- Extractor brush motors, ALL pump motors, ALL PC boards and electronics, ALL Vacuum motors (other than VERSA MATIC®, SENSOR® and FLEXAMATIC®), ALL pumps, and diaphragms/Tank bags carry a one (1) year parts and service labor warranty.
- The Eagle-Robin® engines have three (3) year manufacturer's warranty. The Honda® and Kawasaki® engines have two (2) year manufacturer's warranty. NOTE: The engine warranty is administered through the engine manufacturer and must be repaired at an authorized service center.

Normal wear items and accessories including, but not limited to, belts, brushes, FLEXAMATIC® foot pedal, capacitors, carbon brushes, casters, clutches, cords, filters, finishes, gaskets, hoses, light bulbs, rectifiers, switches, squeegees, bearings, pulleys, relays, actuating cables, wheels, tires, and propane tanks will be warranted for manufacturing defects for 90-days from the purchase date.

The warranty commences on the purchase date by the original end user from an authorized Windsor agent, subject to proof of purchase. The Machine Registration Card must be completed and returned immediately at the time of purchase. If proof of purchase

— continued from previous page —



WINDSOR INDUSTRIES
North American New Machine Warranty
Effective on all products shipped *AFTER* March 1, 2005

cannot be identified, the warranty start date is 90 days after the date of sale to an authorized Windsor distributor. Parts replaced or repaired under warranty are guaranteed for the remainder of the original warranty period.

90 Day Warranty Extension Available

Upon receipt of the Machine Registration Card, Windsor will extend by 90 days, from the date of purchase, all items included under the one-year provision. This applies only to one-year items and does not include 90-day wear items.

This Warranty Shall Not Apply To:

1. Any product that has been subject to abuse, misuse, neglect or unauthorized alteration (including the use of incompatible or corrosive chemicals or overloading of capacity).
2. Products that have experienced shipping or freight damage.
3. Repairs necessary to correct any failure due to improper pre-delivery service and inspection by the selling dealer.
4. Excessive time for cleaning units in preparation for repair.
5. Any repairs resulting from poor initial service work or improper diagnosis.
6. Tune-up parts such as plugs, plug wires and condensers.
7. Any design alterations performed by an organization not authorized or specified by Windsor.
8. Battery and charger warranties are handled directly with the manufacturer (Trojan® batteries and Lester® chargers).
9. High-pressure washing.
10. Electrical components exposed to moisture.

If difficulty develops during the warranty period, contact the authorized Windsor agent from whom the product was purchased. Windsor Industries, Inc. may elect to require the return of components to validate a claim. Any defective part to be returned must be shipped freight prepaid to an authorized Windsor Distributor/Service Center or to the Windsor factory.

Use Of Parts Not Approved By Windsor Industries, Inc. Will Void All Warranties

This warranty is valid only for all products Shipped/Sold *AFTER* March 1, 2005. A product sold before that date shall be covered by the limited warranty in effect at the date of sale to the original purchaser.

Free Manuals Download Website

<http://myh66.com>

<http://usermanuals.us>

<http://www.somanuals.com>

<http://www.4manuals.cc>

<http://www.manual-lib.com>

<http://www.404manual.com>

<http://www.luxmanual.com>

<http://aubethermostatmanual.com>

Golf course search by state

<http://golfingnear.com>

Email search by domain

<http://emailbydomain.com>

Auto manuals search

<http://auto.somanuals.com>

TV manuals search

<http://tv.somanuals.com>