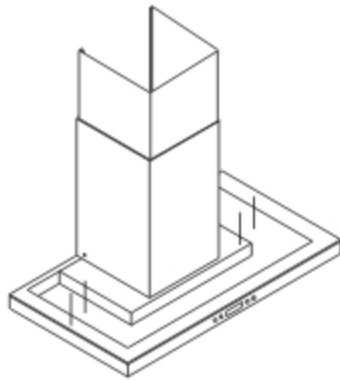
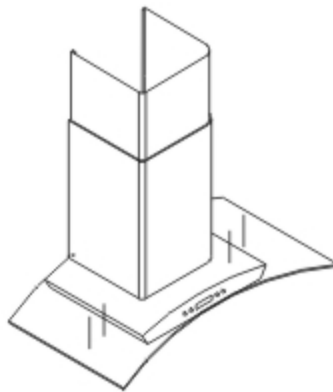


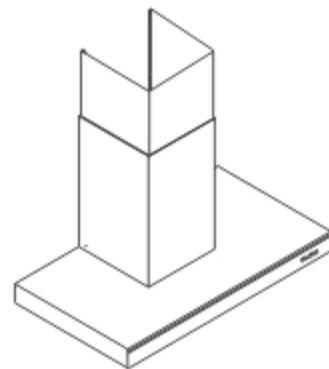
Installation Guide and Users Manual



Model N / Model N-L



Model H / Model H-L



Model A



WALL-MOUNT KITCHEN HOOD

Please read and save this guide through before using your kitchen range hood.
Store the guide away in a safe place so that you will know where it is, when you want to refer to it.

Table of Contents

A. Important Safety Instructions	P.01
- Installation	P.01
- Operations	P.01
- Cleaning	P.01
B. Before You Start	P.02
C. Electrical Requirements	P.03
D. List of Materials	P.04
E. Planning for the instruction	P.05
- Dimensions	P.05
- Important	P.05
- Venting Method	P.06
F. Installation Instructions	P.07
G. Maintenance	P.09
H. Replacement of Charcoal Filter	P.10
I. Range hood operations (Normal Switch)	P.10
J. Range Hood operations (LCD Screen)	P.11
K. Trouble Shooting	P.12
L. Specification	P.12
M. Wiring Diagram	P.13

**READ AND SAVE THESE INSTRUCTIONS
SAVE THIS GUIDE FOR THE LOCAL ELECTRICAL INSPECTOR'S USE
APPROVED FOR RESIDENTIAL APPLIANCES
FOR RESIDENTIAL USE ONLY**

*** INSTALLATION MUST COMPLY WITH ALL LOCAL CODES.**

*** Requirement: 120V AC, 60Hz. 15 or 20 A Branch Circuit**

*** Must read the entire instructions before any proceeding.**

*** Turn off power circuit at service panel and lock out panel, before wiring this appliance.**

INSTALLER: Must leave these instructions with this unit for the owner.

HOMEOWNER: Please retain these instructions for future reference and for local electrical inspectors' use.

A. IMPORTANT SAFETY INSTRUCTIONS

Read all Instructions before Installing and operating this appliance.

Installation

Do not install when you found the outlook ing / appearance of this appliance already damaged.

1. The installation in this manual is intended for qualified installers, service technicians or someone with similar qualified background. **NEVER** attempt to install this appliance yourself.
2. Injury could result from installing the unit due to lack of appropriate electrical and technical background.
3. All electrical wiring must be properly installed, insulated and grounded. Old duct work should be cleaned or replaced if necessary to avoid the possibility of a grease fire. Check all joints on duct work to insure proper connection and all joints should be properly taped.
4. **Personal injury Hazard** -Because of the weight and size of the range hood, two or more people are needed to move and safely install the range hood. Failure to properly lift range hood could result in damage to the product or person.
5. **SEVERE INJURY** -Range hood may have very sharp edges. Please wear protective gloves if it is necessary to remove any parts for installing, cleaning or servicing.

Operations

1. Read all instructions in this manual before operating the appliance. Save these instructions for future reference.
2. **Always leave safety grills and filters in place. Without these components, operating blowers could catch on to hair, and loose clothing**
3. **NEVER** dispose cigarette ashes, ignitable substances, or any foreign objects into blowers.
4. **NEVER** leave cooking unattended. When frying, oil in the pan can easily overheat and catch fire. The risk of self combustion is higher when the oil has been used several times.
5. **NEVER** cook on "open" flames under the range hood. Check deep-fryers during use: superheated oil may be flammable.

Cleaning

DO NOT OPERATE BLOWERS WHEN FILTERS ARE REMOVED.

1. The saturation of greasy residue in the blower and filters may cause increased inflammability. Keep this appliance clean and free of grease and residue build-up at all times to prevent possible fires.
2. Filters must be cleaned periodically and free from accumulation of cooking residue(see cleaning instructions inside). Old and worn filters must be replaced immediately.
3. NEVER disassemble parts to clean without proper instructions. Disassembly is recommended to be performed by qualified personnel only. Call our service center for removal instructions.

The manufacture and distributors decline all responsibility in the event of failure to observe the instructions given here for installation, maintenance and suitable use of the product.

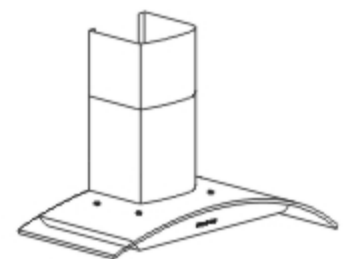
The manufacture and distributors further declines all responsibility for injury due to negligence and the warranty of the unit automatically expires due to improper maintenance.

Safety Note

Please wear "**Safety Workman Gloves**" for installation, cleaning, light bulb changing, and dismantling to reduce the risk of any bodily injuries.



Safety Workman Gloves



B. BEFORE YOU START...

It is very important for your safety and safety of others. The following are many important safety messages in this manual and on your appliance. Always read and obey all safety messages. All safety messages will tell you what the potential hazards are, how to reduce the chance of injury, and what can happen if the instructions are not followed.

WARNING

This safety alerts you to potential hazards that can kill or hurt you. All safety messages will follow the safety alert symbol and the word "WARNING".

READ AND SAVE THESE INSTRUCTIONS

WARNING :

TO REDUCE THE RISK OF FIRE, ELECTRIC SHOCK, OR INJURY TO PERSON OBSERVE THE FOLLOWING CAREFULLY:

- 1) Use this unit only in the manner intended by the manufacturer. If you have any questions, please contact the distributor, importer, or the manufacturer.
- 2) Before servicing or cleaning unit, switch power off at service panel and lock service disconnecting means to prevent power from being switched on accidentally. When the service disconnecting means cannot be locked, securely fasten a prominent warning device, such as a tag, to the service panel.
- 3) Installation work and electrical wiring must be done by qualified person(s) in accordance with all applicable codes and standards, including fire-related construction.
- 4) Sufficient air is needed for proper combustion and exhausting of gases through the flue (Duct cover) of fuel burning equipment to prevent back drafting. Follow the heating equipment manufacturer's guideline and safety standards such as those published by the National Fire Protection Association (NFPA), the American Society for Heating, Refrigeration and Air Conditioning Engineers (ASHRAE), and the local code authorities.
- 5) When cutting or drilling into the wall or ceiling, do not damage electrical wiring and hidden utilities.
- 6) Dusted fans must always be vented to the outdoors.

WARNING : TO REDUCE THE RISK OF FIRE, USE ONLY METAL DUCT WORK.

CAUTION : FOR GENERAL VENTILATING USE ONLY. DO NOT USE THE EXHAUST HAZARDOUS OR EXPLOSIVE MATERIALS OR VAPORS.

WARNING :

TO REDUCE THE RISK OF INJURY TO PERSONS IN THE EVENT OF A RANGE TOP GREASE FIRE, OBSERVE THE FOLLOWING:

(Based in "Kitchen Fire safety Tips" published by NFPA)

- 1) **SMOTHER FLAMES** with a close-fitting lid, cookie sheet, or metal tray, then turn off the burner. BE CAREFUL TO PREVENT BURNS. If the flames do not go out immediately, **EVACUATE AND CALL THE FIRE DEPARTMENT.**
- 2) **NEVER PICK UP A FLAMING PAN** - you may be burned.
- 3) **DO NOT USE WATER**, including wet dishcloths or towels - a violent steam explosion will result.
- 4) Use an extinguisher **ONLY** if:
 - a) You know you have a class ABC extinguisher, and you already know how to operate it.
 - b) The fire is small and contained in the area where it started.
 - c) The fire department is being called.
 - d) You can fight the fire with your back to an exit.

CAUTION : TO REDUCE RISK OF FIRE AND TO PROPERLY EXHAUST AIR, BE SURE TO DUCT AIR OUTSIDE - DO NOT VENT EXHAUST AIR INTO SPACES WITHIN WALLS, CEILINGS, ATTICS, CRAWL SPACES, OR GARAGES.

WARNING : TO REDUCE THE RISK OF FIRE OR ELECTRIC SHOCK, DO NOT USE THIS HOOD WITH ANY EXTERNAL SOLID STATE SPEED CONTROL DEVICE.

WARNING

TO REDUCE THE RISK OF A RANGE TOP GREASE FIRE

- 1) Never leave surface units unattended at high settings. Boil over cause smoking spillovers that may ignite. Heat oils slowly on low or medium settings.
- 2) Always turn hood on when cooking at high heat or when cooking flaming foods. (i.e. Crepes Suzette, Cherries Jubilee, Peppercorn Beef Flambe).
- 3) Clean ventilating fans frequently. Grease should not be allowed to accumulate on fan or filter.
- 4) Use proper pan size. Always use cookware appropriate for the size of the surface element.

WARNING:

TO REDUCE THE RISK OF FIRE, ELECTRIC SHOCK, OR INJURY TO PERSONS, OBSERVE THE FOLLOWING:

- 1) Use this unit only in the manner intended by the manufacture. If you have any questions, contact the manufacturer.
- 2) Before servicing or cleaning unit, switch the power off at service panel and lock switch power off at service panel to prevent power from being switched on accidentally.
- 3) When the service disconnecting means cannot be blocked, securely fasten prominent warning device such as a tag to the service panel.

WARNING:

TO REDUCE THE RISK OF A RANGE TOP GREASE FIRE:

- 1) Never leave surface units unattended at high setting.
- 2) Boil overs cause smoking and greasy spillovers that may ignite.
- 3) Slowly heat oils on low or medium settings.
- 4) Always turn hood ON when cooking at high heat or when cooking flaming foods.
- 5) Clean ventilating fans frequently.
- 6) Grease should not be allowed to accumulate on fan or filter.
- 7) Use proper pan size.
- 8) Always use cookware appropriate for the size of the surface element.

WARNING - TO REDUCE THE RISK OF INJURY TO PERSONS IN THE EVENT OF A RANGE TOP GREASE FIRE, OBSERVE THE FOLLOWING:

- a) SMOTHER FLAMES with a close-fitting lid, cookie sheet, or metal tray, then turn off the burner.
- b) BE CAREFUL TO PREVENT BURNS. If the flames do not go out immediately, EVACUATE AND CALL THE FIRE DEPARTMENT.
- c) NEVER PICK UP A FLAMING PAN - you may be burned.
- d) DO NOT USE WATER, including wet dishcloths or towels - a violent steam explosion will result.
- e) Use an extinguisher ONLY if:
 - You know you have a Class ABC extinguisher, and you already know how to operate it.
 - The fire is small and contained in the area where it is started.
 - The fire department is being called. You can fight the fire with your back to an exit.
- f) To get the best performance, the vertical clearance between the cook-top and the range hood should range from 28" to 32"

PLEASE WEAR "SAFETY WORKMAN GLOVES" FOR INSTALLATION, CLEANING, LIGHT BULB CHANGING, AND DISMANTLING TO REDUCE THE RISK OF ANY BODILY INJURIES.

C. ELECTRICAL REQUIREMENTS

OBSERVE ALL GOVERNING CODES AND ORDINANCES

⚠ WARNING

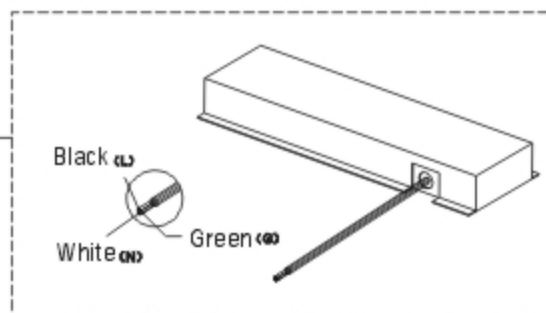
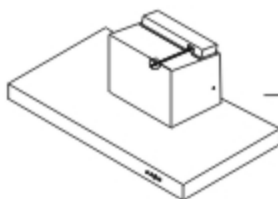
- * Electrical ground is required on this range hood.
- * Check with a qualified electrician if you are not sure whether the range hood is properly grounded.
- * Failure to follow electrical requirements may result in a fire.
- * A fuse in the neutral or grounding circuit could result in electrical shock.
- * If cold water pipe is interrupted by plastic nonmetallic gaskets or other materials, DO NOT use for grounding.
- ** DO NOT have a fuse in the neutral or grounding circuit.
- ** DO NOT ground to a gas pipe.

IMPORTANT:

It is customer's responsibility to contact a qualified electrical installer and assure that the electrical installation is adequate and in conformance with National Electrical Code, or CSA standards and all local codes and ordinances.

- A. Save installation instructions for electrical inspector's use.
- B. If codes permit and a separate ground wire is used, it is recommended that a qualified electrician determines that if the ground path is adequate.
- C. Please remove the house fuse or open circuit before any installation for personal safety. DO NOT use extension code or adapter plug with this appliance.
- D. RISK OF ELECTRICAL SHOCK - This range hood must be properly grounded.
- E. The range hood must be connected with copper wire only.
- F. The range hood should be connected directly to the fused disconnect (or circuit breaker) box through flexible, armored or nonmetallic sheathed copper cable. Allow some slack in the cable so the appliance can be moved if servicing is ever necessary.
- G. A UL or C.S.A. listed conduit connector must be provided at each end of the power supply cable (at the range hood and at the junction box).
- H. When making the electrical connection, cut a 1-1/4" hole in the wall. A hole cut through wood must be sanded until smooth a hole through metal must have a grommet.
- I. When cutting or drilling into wall or ceiling, do not damage electrical wiring and other hidden utilities.
- J. Wire sizes must conform to the requirements of the National Electrical Code ANSINFP A 70 - latest edition*, or CSA Standards C22.1-94, Canadian Electrical Code Part 1 and C22.2 No. 0-M91 - latest edition** and all local codes and ordinances.
- K. Connect three wires according to color (Black to Black, White to White, and Green to Green) to house wires and cap with wire connectors.

BLACK TO BLACK (Hot)
WHITE TO WHITE (Neutral)
GREEN TO GREEN (Ground)



⚠ WARNING

HAZARD OF ELECTRICAL SHOCK!



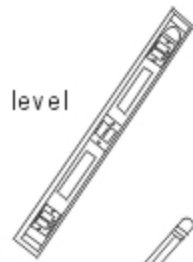
Do not perform service on an electrically live system. Disconnect the main electrical supply before servicing this device. Touching electrical connectors or other exposed electrical circuitry inside this range hood when they are energized could result in death, serious bodily injury, or property damage.

* National Fire Protection Association Batterymarch Park Quincy, Massachusetts 02269

** CSA International 8501 East Pleasant Valley Road Cleveland, Ohio 44131-5575

D. LIST OF MATERIALS

TOOLS FOR INSTALLATION:



level



Measuring tape



Utility Knife



Powered screwdriver or drill



Marker or pencil



Tape



Adjustable wrench

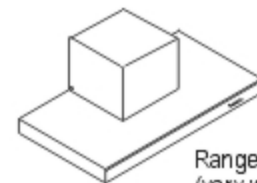
Flat-blade screwdrivers



Philips screwdrivers

PARTS SUPPLIED:

Description		Quantity
Main body (Body of Hood) include aluminium filter(s)		1 Set
Upper Duct Cover and Lower Duct Cover		1 Set
Screws Box	Duct Set (include O-ring)	1 Set
	Duct Cover's Fix Panel	1 Pc
	Φ 3/16" x 5/8" Screw with Flat Washer	4 Sets
	Φ 5/32" x 5/8" Screw	6 Pcs
	Φ 5/32" x 5/16" Tapping Screw	4 Pcs
	Toggle Bolts (#3/16" x 3")	4 Sets
	Body Hook	2 Pcs
Installation Guide & Warranty Card		1 Set
(Optional)	Air Deflector (replace the duct cover's fix panel)(extra 2sets of toggle bolts)	1 Set
	Charcoal filter	1 Set

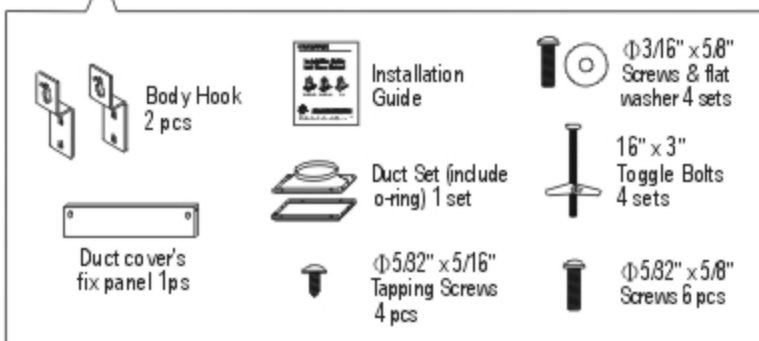


Range Hood (vary with model) 1 set



Upper Duct Cover & Lower Duct Cover 1 set

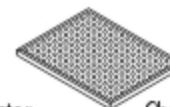
Screws box



OPTIONAL (Ductless Recirculating Kit)



Air deflector



Charcoal filter

For non-vented installations only. *it is highly recommended always be vented to the outside.



Toggle Bolts 2 sets

NOTICE:

1. Remove the range hood from the carton packaging and place on a flat surface for assembly.
2. Check carefully to make sure that no mounting hardware or parts are missing.
3. DO NOT REMOVE THE PLASTIC COVERING ON THE DUCT COVERS AT THIS TIME. As it protects the duct covers from scratches during installation.

OPTIONAL (High Ceiling Duct Cover Kit)

Extends the range hood for higher ceiling



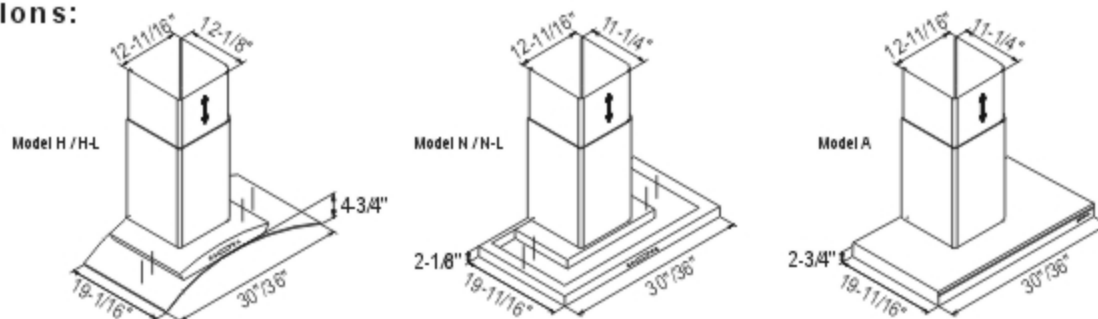
Upper Duct Cover 1 pc

E. PLANNING FOR THE INSTALLATION

⚠ WARNING

- * **Proper installation is your responsibility** - Must have a qualified technical to install this range hood.
- * Read the entire installation guide and users manual thoroughly, and understand instructions and warning.
- * **PERSONAL INJURY HAZARD** - Because of the weight and size of the range hood, two or more people are needed to move and safely install the range hood. Failure to properly lift range hood could result in damage to the product or person injury.
- * All opening in ceiling and wall where range hood will be installed must be sealed.
- * Range hood location should be away from strong draft areas (windows, doors and strong heating vents).
- * **SEVERE INJURY** - Rotating fan can cause severe injury. Stay clear of fan when motor is running.
- * **SEVERE INJURY** - Range hood may have very sharp edges. Please wear protective gloves if it is necessary to remove any parts for installing, cleaning or servicing.

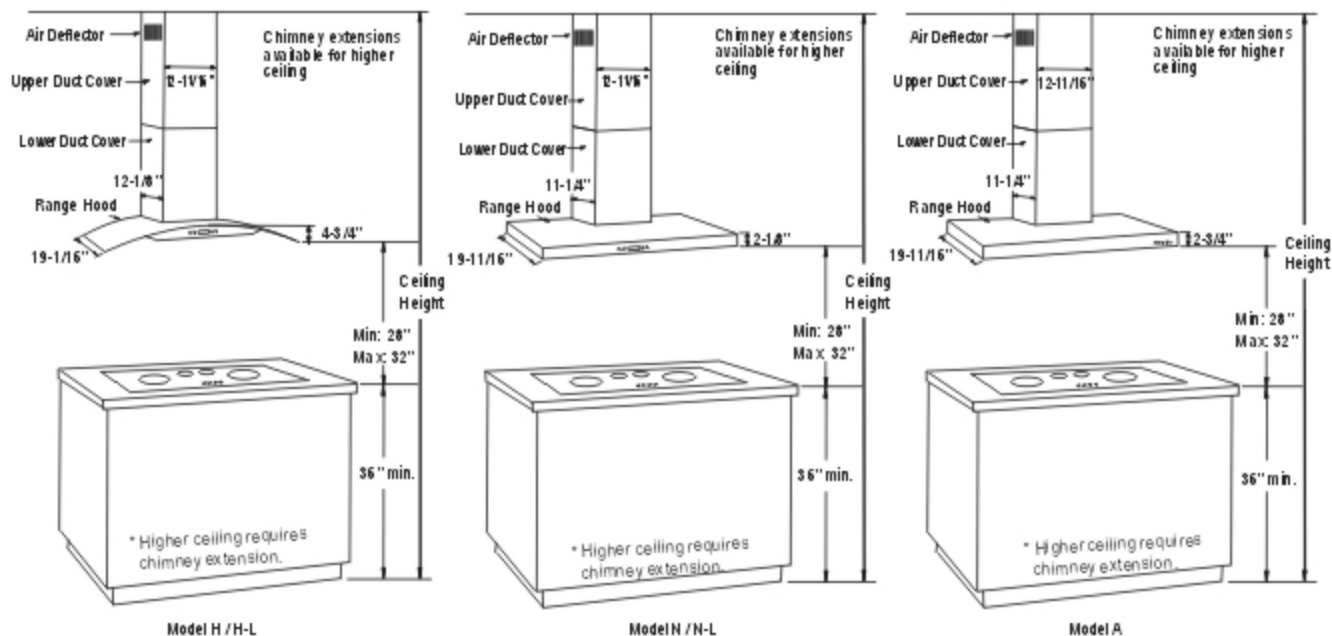
A. Dimensions:



B. IMPORTANT: MUST MEASURE FOLLOWING STEPS BEFORE INSTALLATION.

The Duct covers are adjustable and designed to meet varying ceiling height. The duct covers can be adjusted for ceiling between 8ft and 9ft depending on the distance between the bottom of the hood and the cook top). For shorter ceiling, have the duct cover cut at a sheet metal shop. For higher ceiling then buy an extra upper chimney which would replace the original one that came with the hood.

- 1) Distance from the floor to the ceiling.
- 2) Distance between the floor to the counter top/stove.
- 3) Distance between the counter/stove and range hood (recommended 28" to 32").
- 4) Height of range hood and chimney.
- 5) Height of the range hood installation.



C. Venting Methods

This range hood can be installed as either ducted or ductless.

WARNING: BEFORE MAKING ANY CUTS OR HOLES FOR INSTALLATION, DETERMINE WHICH VENTING METHOD WILL BE USED AND CAREFULLY CALCULATE ALL MEASUREMENTS.

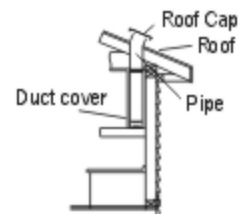
(a) Outdoor Venting methods (for outdoor venting through the roof or wall only)

The hood is equipped with a transition "duct set" for discharge of fumes to the outdoor. Vent work can terminate either through the roof or wall. To vent through a wall, a 90 degree elbow is used.

IMPORTANT:

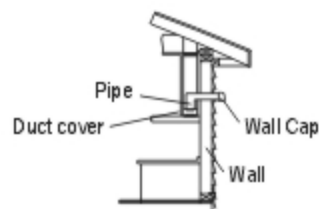
- Vent system must terminate to the outside (through roof or side wall), unless using a ductless recirculating kit (charcoal filter).
- Do not terminate the vent system in an attic or any other enclosed area.
- Recommended to use metal /flexible aluminum vent only.
- Never use plastic vent.
- Always Keep the duct clean to ensure the proper airflow.
- NEVER exhaust air or terminate duct work into spaces between walls, crawl spaces, ceiling, attics or garages. All exhaust must be ducted to the outside.
- Use caulking to seal exterior wall or roof opening around the cap.
- Do not use 4" (10.2cm) laundry-type wall caps.
- Always keep the duct clean to ensure proper airflow.
- It is recommended that the range hood be vented vertically through the roof through 6" (15cm) round metal/aluminium vent work. The size of the vent should be uniform.
- Use no more than three 90° elbows and do not install two elbows together.
- Make sure there is a minimum of 24" (61cm) of straight vent between the elbows if more than one elbow is used. The length of vent system and number of elbows should be kept to a minimum to provide efficient performance.
- The vent system must have a damper. If roof or wall cap has a damper, Do Not use damper supplied with the range hood.
- Use duct tape to seal all joints in the vent system.
- Fasten all connections with sheet metal screws and tape all joints with certified Silver Tape or Duct Tape.

Example 1. Vertical roof venting.



Ducting through the roof

Example 2. Horizontal wall venting



Ducting through the wall

Calculate the duct run length:

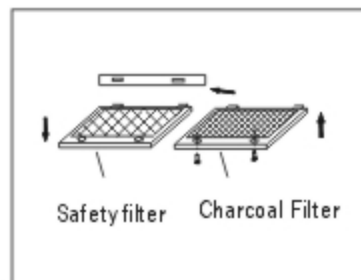
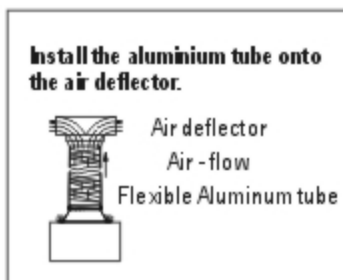
If ducted with the required minimum of 6" round duct work, the duct run should not exceed 35 equivalent feet. Calculate the length of the duct work by adding the equivalent feet as below for each piece of duct in the system.

1. Use no more than three 90° Elbow.
2. Make sure that there is a minimum of 24" of straight duct between elbows if more than one is used.
3. DO NOT install two elbows together.
4. If you must elbow right away, do it as far away from the hood's exhaust opening as possible.

45° Elbow	-	3.0 feet	9 Feet Straight Duct	9.0 feet
90° Elbow	-	5.0 feet	2-90° Elbow	10.0 feet
90° Flat Elbow	-	12.0 feet	Wall Cap	0.0 feet
Wall Cap	-	0.0 feet	Total System	19.0 feet

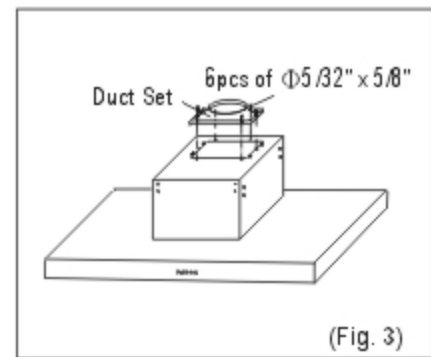
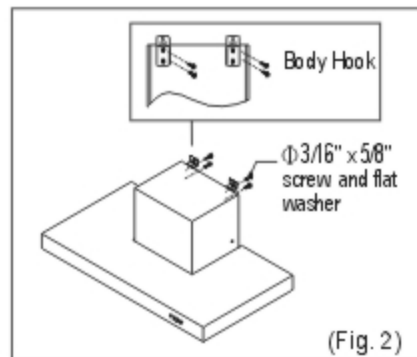
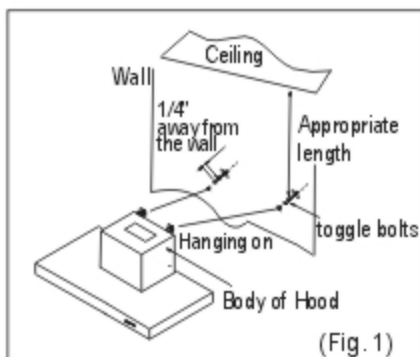
(b) Duct less Recirculating Kit (Charcoal Filter)

- Ductless conversion is intended for applications where an exhaust duct work is not possible to be installed. When converted, the hood functions as a purifying hood rather than an exhaust hood. Fumes and exhaust from cooking is drawn and filtered by a set of charcoal filters. The air is then purified and re-circulated back within the home.
- Ductless conversion is a "purifying" unit, a set of charcoal filter and an air deflector are required in addition to its standard aluminum filter set.
- The aluminum filter are intended to capture residue from cooking, the optional charcoal filter helps to purify fumes exhausted from cooking, and the optional air deflector redirects filter clean air back to the house.



F. INSTALLATION INSTRUCTIONS

- Before making cutouts, make sure there is proper clearance within the ceiling or wall for exhaust vent.
 - Check your ceiling height and the hood height maximum before you select and install your hood. The hood installation height above cooktop is users preference. The lower the hood above the cooktop the more efficient the capturing of cooking odors, grease and smoke. The hood shall be installed at 28" minimum to 32" above the countertop.
 - Fitting material is provided to secure the hood to most types of walls. However, a qualified technician must verify suitability of the materials in accordance with the type of wall. Must consult a qualified installer and check if the screws and drywall anchor perfectly fit with your cabin/wall.
 - Due to the size and weight of this range hood, the support must be firmly attached to the ceiling. For plaster or sheet rock ceilings, the support must be attached to the joists. If this is not possible, a support structure must be built behind the plaster or sheet rock. The manufacture assumes no responsibility for injury or damage caused by improper installations.
 - Put a thick, protective covering over counter top, cooktop or range to protect from damage or dirt. Remove any hazardous objects around the area when installing.
1. Locate an optimal location to place the range hood. Mark the leveling points for two Body Hooks (figure 1) on the wall and drill two holes. Insert two toggle bolts and reserve approximately 1/4" for the body hooks. Be sure to use appropriate anchors for your wall.
 2. Use four sets of $\Phi 3/16"$ x 5/8" screws with flat washer to install the body hooks onto the hood (see figure 2).
 3. Install the duct set by using six $\Phi 5/32"$ x 5/8" screw (See figure 3).



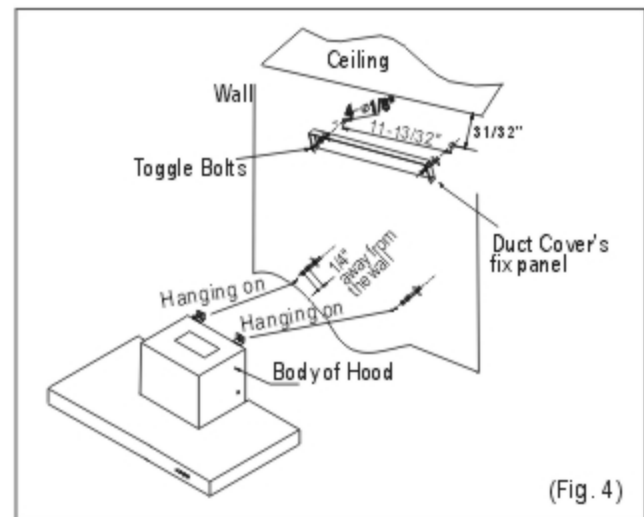
DUCTED INSTALLATION METHOD (vented to the outside)

4. Find an optimal location for the duct cover's fix panel. The fix panel must be placed directly above and align with the two body hooks. Drill two more holes insert two toggle bolts. Secure the fix panel with 2 toggle bolts and screw tightly. Be sure to use appropriate anchors for your wall. (figure 4)

⚠ WARNING

PERSONAL INJURY HAZARD

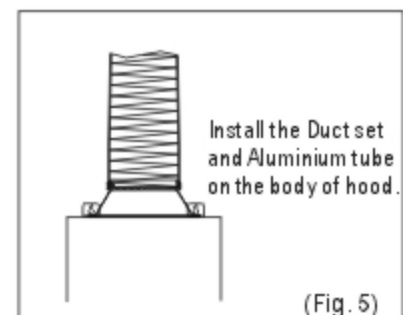
Because of the weight and size of the range hood, two or more people are needed to move and safely install the range hood. Failure to properly lift range hood could result in damage to the product or personal injury. Hood may have very sharp edges. Please wear protective gloves if it is necessary to remove any parts for installing.



5. Then hang the hood on the wall and tighten the screws as figure 4 shown.

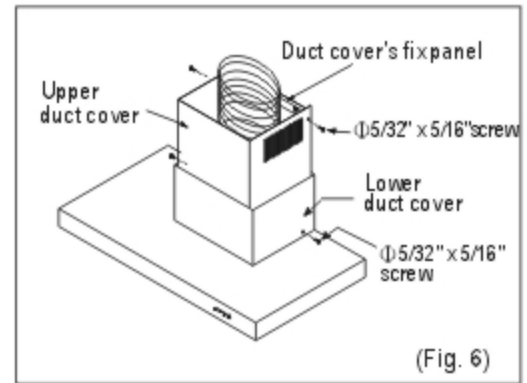
CAUTION: MAKE SURE THE RANGE HOOD IS SECURE BEFORE RELEASING!

6. Install the aluminum duct on to the body of the hood and connect the duct to the exterior exhaust system. Make sure all joints are secure and air tight. Use certified Silver Tape or Duct Tape to make all joints secure and air tight (figure 5).



- Remove the plastic covering on the duct covers at this time. Must be very careful for the sharp edges on the duct cover. Please wear work protective gloves while install the duct cover to prevent personal injury and prevents scratch on the cover during installation.
- Place upper duct cover and lower duct cover over the body of the hood as shown in figure 6. Upper duct cover is the one contains holes on both side. Slide up the upper duct cover towards the duct cover's fix panel. Use two of $\Phi 5/32" \times 5/16"$ tapping screws to secure the upper duct cover onto the panel. Finally secure the lower duct cover to the hood body by using two of $\Phi 5/32" \times 5/16"$ tapping screws.

CAUTION:
PAY EXTRA ATTENTION TO SHARP EDGES ON THE DUCT COVER AND MINIMIZE DUCT COVERS MOVEMENTS TO AVOID SCRATCHES ON THE COVER.



(Fig. 6)

- Then complete the installation.

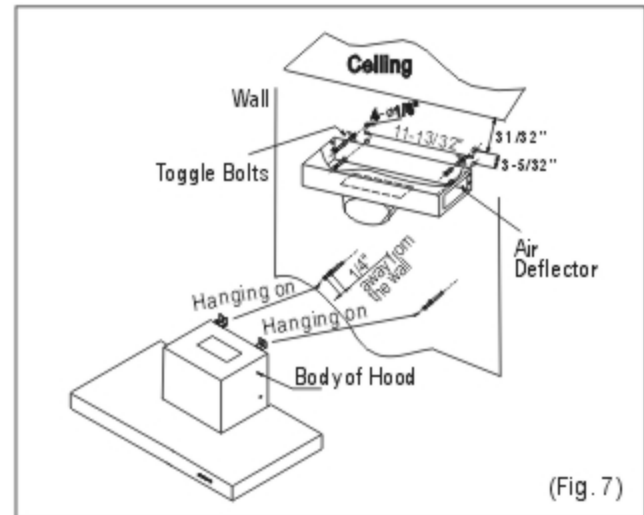
DUCTLESS INSTALLATION METHOD (NOT vented to the outside)

- Find an optimal location for the AIR DEFLECTOR. The air deflector must be placed directly above and align with the two body hooks. Drill two holes insert two toggle bolts. Secure the air deflector with 2 toggle bolts and screw tightly. Be sure to use appropriate anchors for your wall. (figure 7)

⚠ WARNING

PERSONAL INJURY HAZARD

Because of the weight and size of the range hood, two or more people are needed to move and safely install the range hood. Failure to properly lift range hood could result in damage to the product or personal injury. Hood may have very sharp edges. Please wear protective gloves if it is necessary to remove any parts for installing.

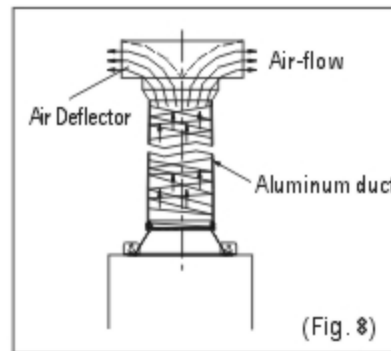


(Fig. 7)

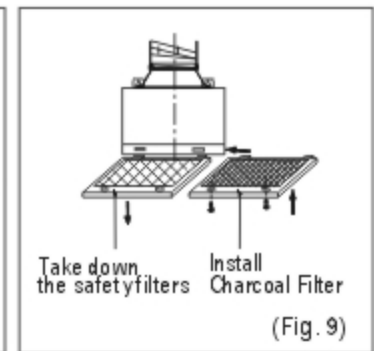
- Then hang the hood on the wall and tighten the screws as figure 7 shown.

CAUTION: MAKE SURE THE RANGE HOOD IS SECURE BEFORE RELEASING!

- Install the aluminum duct on to the body of the hood and the Air Deflector (figure 8). Make sure all joints are secure and air tight. Use certified Silver Tape or Duct Tape to make all joints secure and air tight.
- Took down the aluminum filters and screw down the two screws on the safety filters. Replace the safety filters by charcoal filter then screw the two screws back to set the charcoal filter onto the hood body (figure 9).



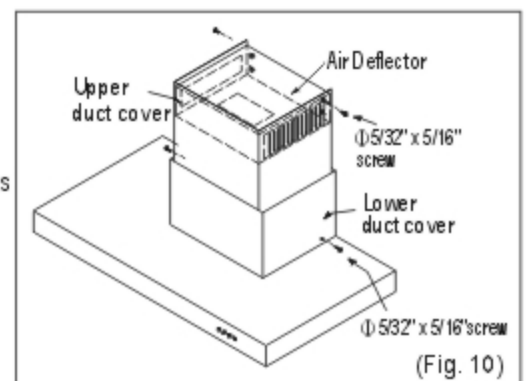
(Fig. 8)



(Fig. 9)

- Remove the plastic covering on the duct covers at this time. Must be very careful for the sharp edges on the duct cover. Please wear protective gloves while install the duct cover to prevent personal injury and prevents scratch on the cover during installation.
- Place upper duct cover and lower duct cover over the body of the hood as shown in figure 10. Upper duct cover is the one contains holes on both side. Slide up the upper duct cover towards the air deflector. Use two of $\Phi 5/32" \times 5/16"$ tapping screws to secure the upper duct cover onto the panel. Finally secure the lower duct cover to the hood body by using two of $\Phi 5/32" \times 5/16"$ tapping screws.

CAUTION:
PAY EXTRA ATTENTION TO SHARP EDGES ON THE DUCT COVER AND MINIMIZE DUCT COVERS MOVEMENTS TO AVOID SCRATCHES ON THE COVER.



(Fig. 10)

- Then complete the installation.

G. MAINTENANCE

Prior to any maintenance operation ensure that the range hood is disconnected from the power supply.

WARNING : FAILURE TO CARRY OUT THE BASIC STANDARDS OF CLEANING OF THE RANGE HOOD AND REPLACEMENT OF THE FILTERS MAY CAUSE FIRE RISKS. THEREFORE WE RECOMMEND OBSERVING THESE INSTRUCTIONS.

Cleaning Exterior surfaces:

- The range hood should be cleaned regularly internally and externally.
- Clean periodically with hot soapy water and clean cotton cloth. Do not use corrosive/abrasive detergent (e.g. Comet Power Scrub[®], EZ-off[®] oven cleaner), or steel wool/scoring pads, which will scratch and damage the stainless steel surface.
- For heavier soil use liquid degrease such as "Formula 409[®]" or "Fantastic[®]" brand cleaner.
- After cleaning, you may use non abrasive stainless steel polish/cleaner such as 3M[®] or ZEP[®], to polish and buff out the stainless luster and grain. Always scrub lightly with clean cotton cloth, and grain.

Cleaning Aluminum Grease Filter / Stainless Steel Filter less Grill:

- The metal filters fitted by the factory are intended to filter out residue and grease from cooking. It need not be replaced on a regular basis but are required to be kept clean.
- This must be cleaned once a month using non aggressive detergents, either by hand or in the dish-washer, which must be set to a low temperature and a short cycle.
- When washed in a dish washer, the grease filter may discolour slightly, but this does not affect its filtering capacity.
- Dry filters and re-install before using hood.

Replacing Filters:

- When filters wear out due to age and prolonged use, replace with Aluminum Grease Filter (with Stainless steel forelock)
- Note: Also replace damaged filter that has punctured or broken mesh, bent or broken frame.

Replacing the light bulb:

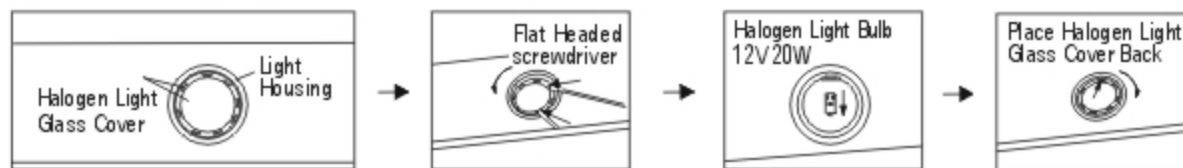
WARNING

Disconnect the hood from electricity and be sure the lights are cool.

A. Halogen Light Design

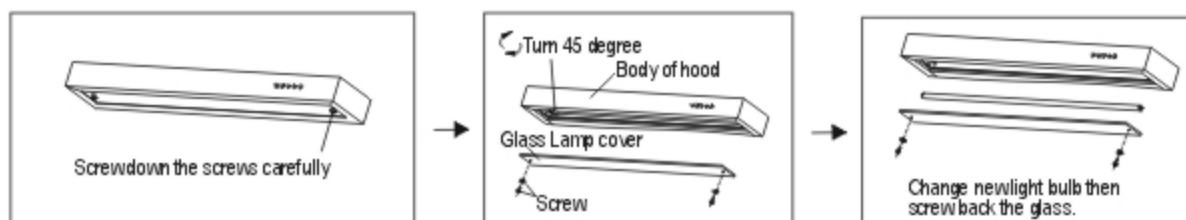
- Should the light bulb burned out due to age or prolonged use, replace with 20W 12V halogen bulb.
- If new lights do not operate, make sure the light bulb is inserted correctly.

- (1) Turn off the range hood.
- (2) **Make sure the lights are cool to touch**, Use a flat hand screwdriver or equivalent tool carefully turn the inner ring counter-clockwise with to pop out the protective covering of the light.
- (3) Gently pull out the defective bulb and discard accordingly.
- (4) Install a new halogen light bulb and reverse the steps.



B. Fluorescent Light Design:

- (1) Remove the 2 screws on the glass lamp cover carefully by using phillips screwdriver. Be careful on the drop down of glass.
- (2) This range hood uses fluorescent lamp please buy the appropriate lamp type from us.
- (3) Turn the lamp 45 degree in order to take down it (can turn clock way or anti-clock way).
- (4) Install a new fluorescent light bulb then screw the lamp cover back.



WARNING

BURNS HAZARD
Light bulb becomes extremely hot when turned on. DO NOT touch bulb until switched off and cooled. Touching hot bulbs could cause serious burns.

SEVERE INJURY
Rotating fan can cause severe injury. Stay clear of fan when motor is running.

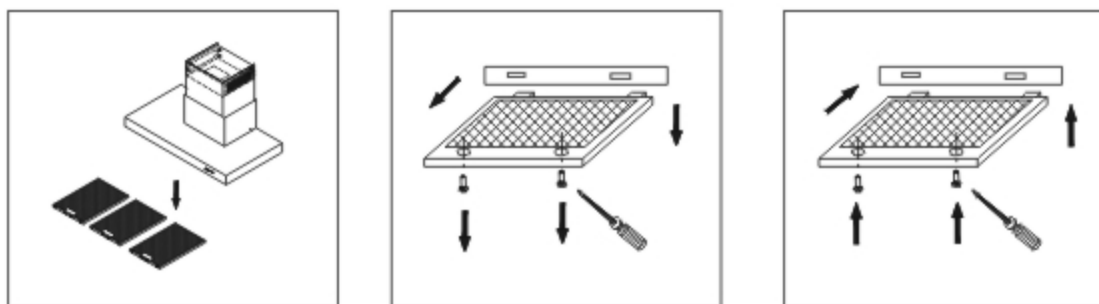
H. REPLACEMENT OF CHARCOAL FILTER

ALWAYS SWITCH OFF THE HOOD BEFORE ANY REPLACEMENT.

Replacement of charcoal filter:

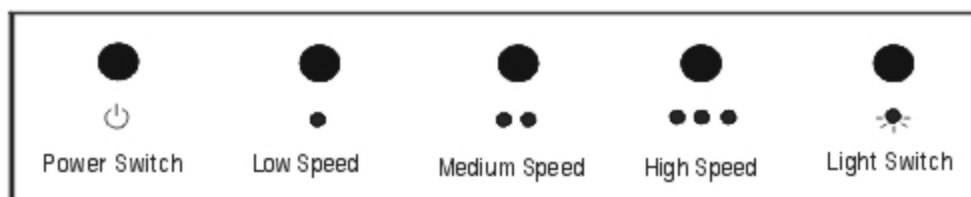
- 1) Remove aluminum filters on the range hood.
- 2) Remove the original charcoal filter by unscrewing down the two screws
- 3) Replace the old charcoal filter by new charcoal filter. Then position the charcoal filter and align the screw holes, reinstall and fasten two screws.
- 4) Reinstall the aluminum filters back to the range hood.

NOTE : CHARCOAL FILTER IS CONSUMER PRODUCT MUST BE REPLACED AFTER 120 HOURS OF USE OR EVERY 2-3 MONTHS.



I. RANGE HOOD OPERATIONS (Normal Switch)

For Models H & N & A



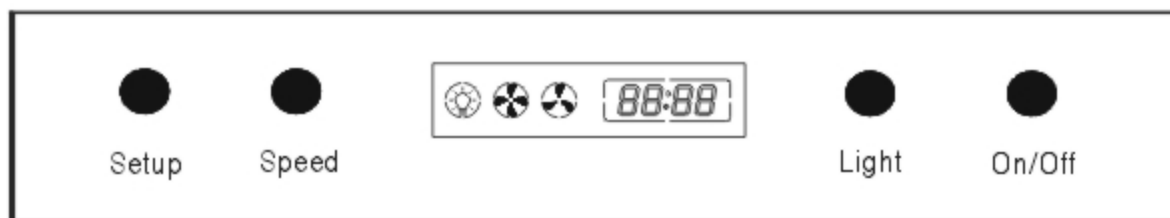
TURN ON:

- Press the speed control (Low Speed, Medium Speed, High Speed) switch to select the desired level of power. Once button is pressed, the previous speed mode will be cancel.
- Press Light Switch to turn on the lights.

TURN OFF:

- Press the Power Switch to turn off the power.
- Press Light Switch to turn off the lights.

J. RANGE HOOD OPERATIONS (LCD Screen)



For Models H-L & N-L

Clock time setting function on LCD Screen (24 hour setting):

- After turn on the range hood, the screen on the LCD will show out time of "00:00" and start counting on the time automatically.
- To set the clock, press the "Setup" button for more than 2 seconds. Then time on the 'hour' section will indicate "00" and start flashing. To adjust an appropriate time you can keep pressing the "Speed" button to increase the number or stop by taking away your finger.
- Press the "Setup" button again, the time will go into the 'minute' section and start flashing. To adjust an appropriate time you can keep pressing the "Speed" button to increase the number or stop by taking away your finger.
- Press the "Setup" button again, the system will exit from the setting and the machine will show the inserted time
- If during the set up process, does not press any key for more then 5 seconds, the system will run out the setting immediately and retain on the former time.

Press the "On/Off" button:

- The Range Hood will stop operating 2 minutes after you press the "On/Off" button .
- The Range Hood will stop operating immediately after you press the "On/Off" button twice.
- Delay Shut- Off function:

This can be selected to allow the hood to continue running for a few minutes after turned off.

 - Press the "Setup" button shortly during the operating of range hood. The system will go into the time setting function. The method of Setting up the delay shut-off function is the same as setting up the clock on the LCD screen.
 - After finish setting up the time, the LCD's screen will show the time set and start count down automatically.
 - When the time goes back to "00", the system will cut off the motor power immediately, and "Bee" for 5 times to indicate its shut down. Then the LCD screen will return to normal time.
 - To cancel the Delay Shut-Off function, you can just press the "Setup" button again during the countdown. Then the LCD screen will return to normal clock function. If press "On/Off" button during this time, the range hood will be shut down immediately.
 - Warning: Turn off the light after setup the "Delay Shut-Off" function. As this function is only will shut down the motor but not the light.

Press the "Light" button when the range hood is turned on:

- Press the light button briefly to turn on the lights, and the lighting indicator on the LCD screen will illuminate at the same time.
- Press the light button briefly again to turn off the lights, and the light indicator on the LCD screen will go out at the same time.

Press the "Speed" button when the range hood is turned on:

- Press the "On/Off" button to turn on the machine, then the motor will run at a High Speed and the speed indicator on the LCD screen will illuminate.
- Press the "Speed" button to change the speed of the fan. The speed indicator on the LCD screen will change according to the high or low speed that is chosen.
- There will also be a slight decrease in airflow for hoods operated in a recirculation mode due to the charcoal filter.

K. TROUBLE SHOOTING

⚠ WARNING



HAZARD OF ELECTRICAL SHOCK!

Do not perform service on an electrically live system. Disconnect the main electrical supply before servicing this device. Touching electrical connectors or other exposed electrical circuitry inside this range hood when they are energized could result in death, serious bodily injury, or property damage.

1. If the range hood does not operate after installation:

- Check if the range hood has been plugged in, make sure that all power has been turned back on and all electrical wiring are properly connected.
- Check the power connection with the unit is connected properly.
- Make sure the wiring between the switch board and control board are connected properly.

2. The range hood vibrates when the blower is on:

- The range hood might not have been secured properly on to the wall.
- Check weather the motor is secured in place, if not, then tighten the motor in place.
- Check weather there is a damaged blower wheel, if so change the blower wheel.

3. The blowers seems weak:

- Check that the duct sized used is at least 6" or 3-1/4 x 10". Range hood WILL NOT function efficiently with insufficient duct size. For example: 7" duct cover 6" holes and loosely secured.
- Check if duct is clogged or if damper unit is not opening properly. Atight mesh on a side wall cap unit might also cause restriction to the air flow.

4. The lights work but the blower is not spinning at all, is stuck or is rattling:

- The blower might be jammed or scraping the bottom due to shipping damage.
- The motor is defective, possible seized - change the motor.
- The thermally protected system detects if the motor is too hot to operate and shuts the motor down. In this case the motor will function properly after the thermally protected system cool down.

5. The hood is not venting out properly:

- Make sure the distance between the cooktop and the bottom of the hood is within 28" and 32" in range.
- Reduce the number of elbows and length of duct work. Check if all joints are properly connected, sealed, and taped.
- Make sure the power is on high speed for heavy cooking.
- The wind from the opened window or open doors in the surrounding area are affecting the ventilation of the hood. Close all the windows and doors to eliminate the outside wind flow.
- Check weather the direction of duct opening is against the wind, if so then adjust the duct opening direction.
- Check weather using the wrong size of ducting.

6. The light does not work:

- Check weather the light bulb is loose, if so tighten the light bulb.
- Swap out light assembly to working ones to determine weather it is caused by defective light bulbs

NOTE: For all other inquiries, please contact us.

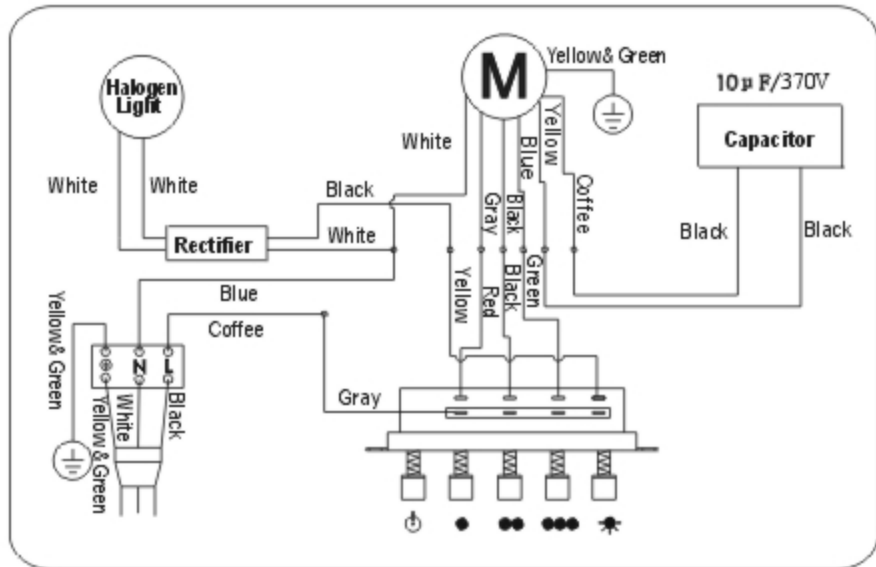
L. SPECIFICATIONS

Model	Model H & N	Model A	Model H-L & N-L
Power Rating	120V / 60Hz (USA & Canada standard)		
General Input Power	200W (160W+ 2 x 20W)	181 W/174W (160W+ 21W/14W)	200W (160W + 2 x 20W)
Motor Input Power	160W	160W	160W
Motor Revolution	1400 R.P.M. (±10%)	1400 R.P.M. (±10%)	1400 R.P.M. (±10%)
Levels Of Speed Control	3 Levels	3 Levels	2 Levels
Air Pressure	280Pa	280 Pa	280Pa
Noise Level (dB /s one)	Approximately 55 /2.8to 59/3.8 (Lowest to highest Speed)		
Motor Type	Single motor	Single motor	Single motor
Fan Type	Sirocco	Sirocco	Sirocco
Control Type	Push Button	Push Button	Push Button with LCD screen
Illumination	20W * 2 (Halogen Light)	21W/14W (Fluorescent Light)	20W * 2 (Halogen Light)
Venting Size	6" inch Round	6" inch Round	6" inch Round

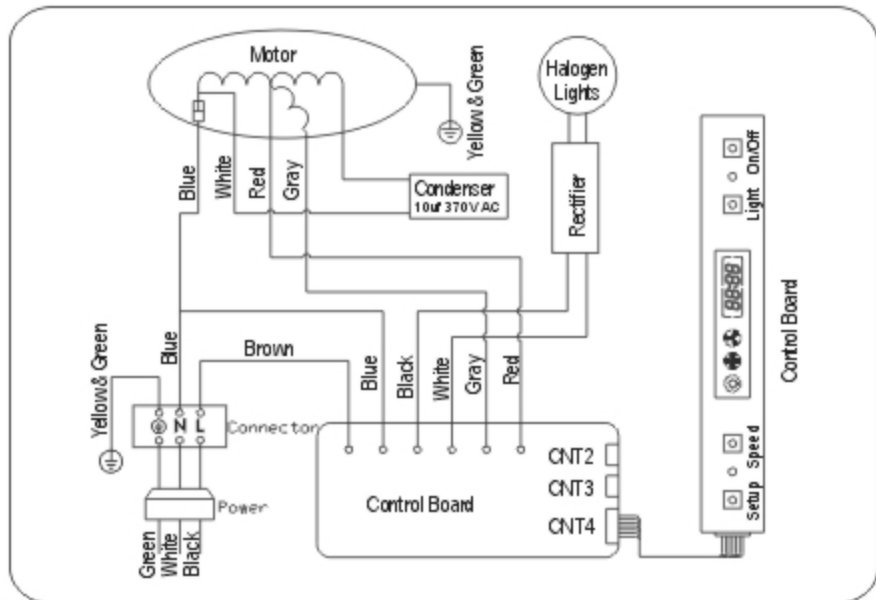
*Specifications subject to change without notice.

M. WIRING DIAGRAM

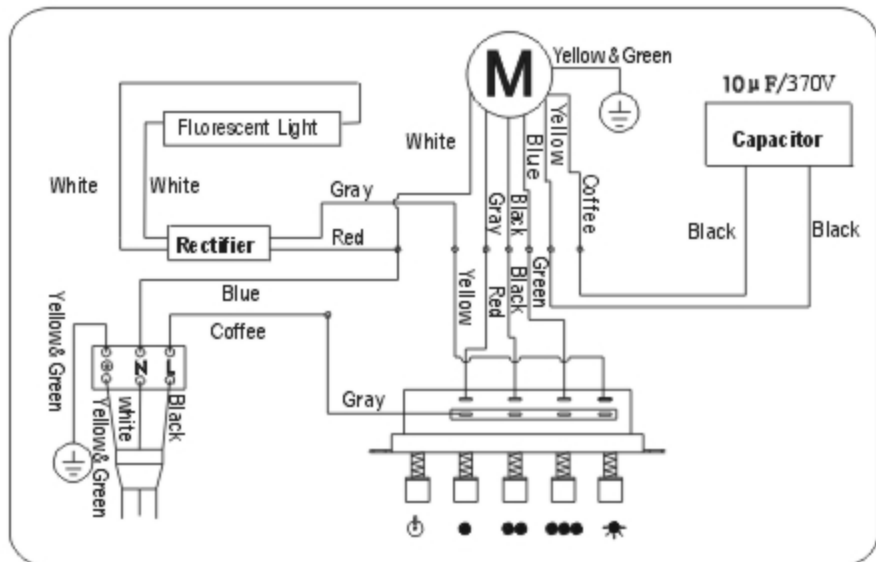
Circuit assembly drawing
Model H & N



Circuit assembly drawing
Model H-L & N-L



Circuit assembly drawing
Model A



Free Manuals Download Website

<http://myh66.com>

<http://usermanuals.us>

<http://www.somanuals.com>

<http://www.4manuals.cc>

<http://www.manual-lib.com>

<http://www.404manual.com>

<http://www.luxmanual.com>

<http://aubethermostatmanual.com>

Golf course search by state

<http://golfingnear.com>

Email search by domain

<http://emailbydomain.com>

Auto manuals search

<http://auto.somanuals.com>

TV manuals search

<http://tv.somanuals.com>