

WINDSTER™

www.windsterhood.com

WALL HOOD

OPERATION MANUAL

RA-902.RA-1790



Please read and save this guide through before using your range hood
Store the guide away in a safe place so that you will know where it is
when you want to refer to it

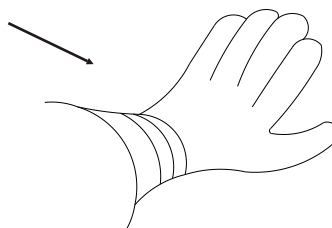
Table of contents

Important safety Instructions -----	P.1
Safety notes -----	P.3
Operation -----	P.7
Tools and materials required -----	P.8
Halogen light replacement -----	P.8
Simple trouble shooting rules -----	P.9
Use and care -----	P.10
Maintenance and cleaning-----	P.11
Maintenance Instruction -----	P.11
Parts layout diagram -----	P.12
Circuit diagram-----	P.13
Specifications -----	P.14

Safety Note

Please wear "Safety Workman Gloves" for installation, cleaning, light bulb changing and dismantling to reduce the risk of any bodily injuries.

Safety Workman Gloves



A. Important safety Instructions

Read and Save These Instructions

1. Make sure the power is off before installing, wiring or maintenance.
2. Please keep the range hood clean.
3. To get the best performance, the vertical clearance between the cook - top and the range hood should range from 28" to 32". (Fig.1)

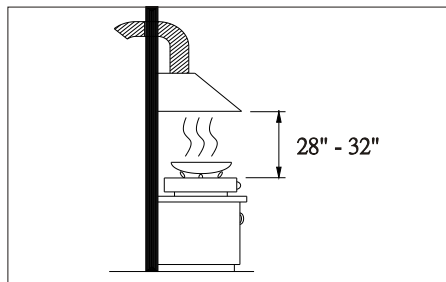
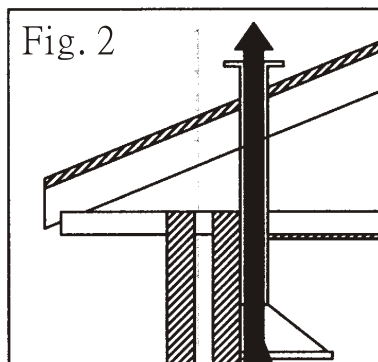


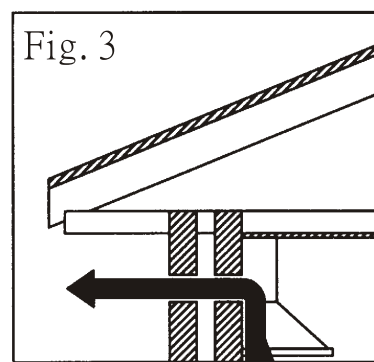
Fig.1 : Optimum Rangehood height

Ducting method

- A. This rangehood must be flued to external air space either through the roof (fig.2) or through the wall (fig.3)



Ducting through the roof



Ducting through the wall

- B. Obstruction of exhaust will cause
- a. Uneven fan speed.
 - b. Reduced oil collection in one cup only
 - c. Could cause possible vibration.

CAUTION- To reduce the risk of fire and to properly exhaust air, be sure to duct air outside. Do not vent exhaust air into spaces within walls, ceilings, attics crawl spaces or garages.

WARNING- To reduce the risk of fire or electric shock, do not use this fan with any solid- state speed control device.

WARNING- To reduce the risk of fire, electric shock, or injury, observe the following:

- A. Use this unit only in the manner intended by the manufacturer. If you have questions, contact the manufacturer.
- B. Before servicing or cleaning the unit, switch the power for service panel and lock panel, to prevent power from being switched on accidentally. When the service is disconnecting, if cannot be locked, fasten a prominent warning device, such as a tag, to the service panel.
- C. Installation work and electrical wiring must be done by a qualified person(s) in accordance with all applicable and standard codes, including fire-rated construction.
- D. Sufficient air is needed for proper combustion and exhausting of gases through the flue(chimney) of fuel burning equipment to prevent back drafting. Follow the heating equipment manufacturer's guideline and safety standards such as those published by the National Fire Protection Association (NFPA), the American Society for Heating, Refrigeration and Air Conditioning Engineers(ASHRAE), and the local code authorities.
- E. When cutting or drilling into wall or ceiling, do not damage electrical wiring and other hidden utilities.
- F. Ducted fans must always be vented to the outdoors.

CAUTION- For general ventilating use only. Do not use to exhaust hazardous or explosive materials and vapours.

WARNING- To reduce the risk of a range top grease fire:

- A- Clean ventilating fans frequently. Grease should not be allowed to accumulate on fan or filter.
- B- Always turn hood on when cooking at high heat or when cooking flaming foods.
- C- Never leave surface units unattended at high settings. Boilovers cause smoke and greasy spillovers, that may ignite and spread if hood is used. Heat oils slowly on low or medium settings.
- D- Don't leave your range unattended when cooking.
- E- Use proper pan size. Always use cookware appropriate for the size of the surface element.

WARNING- To reduce the risk of injury in the event of a range top grease fire, observe the following:

A- SMOTHER FLAMES with a close- fitting lid, cookie sheet, or metal tray, then turn off the burner. Be careful to prevent burns. If the flames do not go out immediately, EVACUATE AND CALL THE FIRE DEPARTMENT.

B- NEVER PICK UP A FLAMING PAN- You may be burned.

C- DO NOT USE WATER including wet dishcloths or towels- a violent steam explosion will result.

D- USE AN EXTINGUISHER ONLY IF:

1. You know you have a CLASS ABC extinguisher, and you already know how to operate it.
2. The fire is small and contained in the area where it started.
3. The fire department is being called.
4. You can fight the fire with your back to an exit.

WARNING- To reduce the risk of fire, use only metal ductwork.

B. Safety Notes

1. All electrical work must be done in accordance with local and/or national electrical code as applicable for safety. This product must be grounded, if your are unfamiliar with methods of installing electrical wiring, secure the services of a qualified electrician.

2. Turn off power at service entrance before installing, wiring, or servicing this product. (120 volt for range hood. 220 volt for electric range if any)
3. Turn off power to avoid risk of fire, electric shock, or injury for cleaning or maintenance such as lubrication.
4. Fireplaces, gas furnaces, and water heaters, require proper flow of combustion air and exhaust. Make sure this flow is not altered when using any exhaust fan.
5. Please read specification label on product for further information and requirements.
6. Please wear "Safety Gloves" for installation, cleaning, light bulb changing and dismantling to reduce the risk of any injuries.

Note:

Exhaust air should not be discharged into any chimney or flue, which may carry combustible products from other sources. In addition, exhaust air should not be discharged into a wall cavity or into the roof space.

Wiring to Power Supply

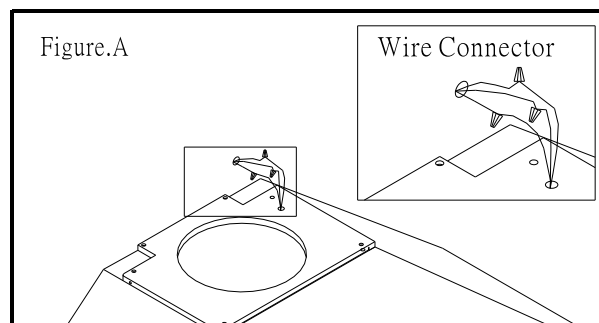


SAFETY WARNING

RISK OF ELECTRICAL SHOCK. THIS RANGE HOOD MUST BE PROPERLY GROUNDED. MAKE SURE THIS IS DONE BY SPECIALIZED ELECTRICIAN IN ACCORDANCE WITH ALL APPLICABLE NATIONAL AND LOCAL ELECTRICAL CODES. BEFORE CONNECTING WIRES, SWITCH POWER OFF AT SERVICE PANEL AND LOCK SERVICE PANEL TO PREVENT POWER FROM BEING SWITCHED ON ACCIDENTALLY.

Connect the electrical wires.

- Connect three wires (black, white and green) to house wires and cap with wire connectors. Connect according to color :
black to black, white to white, and green to green as shown on Figure A.
- If necessary to hide the electrical wire connections, push wires back into the wiring box. Access the wire connections underneath the hood. Make sure wires do not slip between motor or any moving parts to prevent any damage.



RA-902/ RA-1790

Installation and Maintenance must be carried out by qualified person only.

Body Mounting

Fit the Rangehood body at the correct height via the brackets to the mounting surface. (Refer Fig. 4 for mounting screw measurements). Locate the hanging screw allowing a distance of 5 mm of the screw head to the wall.

Canopy Ducting

- A. Use the Upper Mounting Bracket to adjust the duct to the required height (maximum 27 1/6").

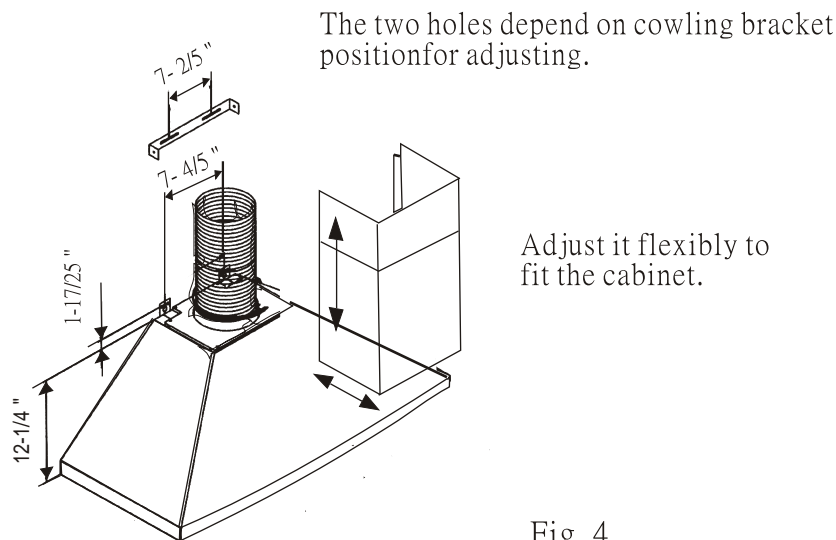


Fig. 4

- B. To fit the duct to the top of the canopy, slide the bottom lip under the black mounting and then lock in to place with the 4 screws provided. (Fig. 4)
- C. Ensure the mounted range hood is level when installed for optimum performance. (Fig. 5)

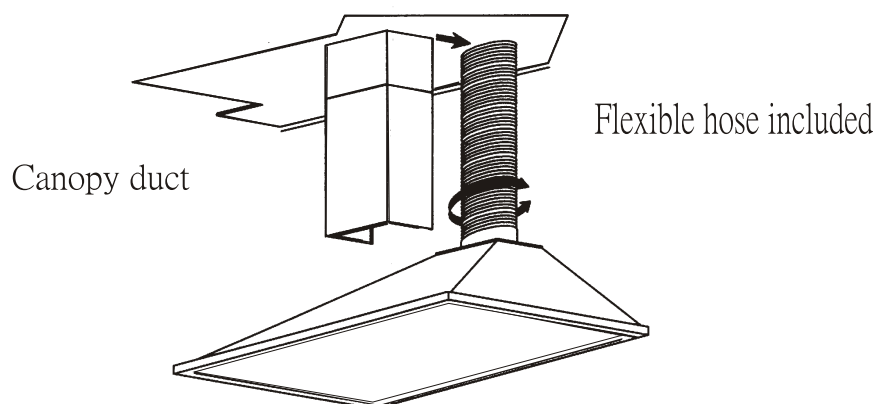


Fig. 5

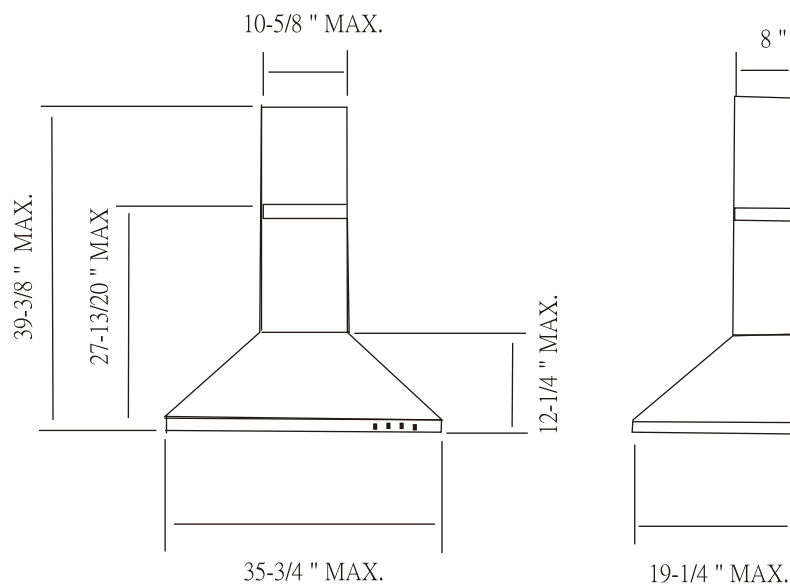


Fig. 6 Canopy dimension and ducting position

C. Operation

Rangehood controls are located on the front panel switches.

- A. Light Switch ·· Control light for the Cook top illumination.
- Motor Switch ·· Motor Speed Switch two position [⚡] Fast and Slow ↘ select the most suitable motor speed for your cooking situation.
- B. The removable oil cups for the collection and disposal of collected oil. The collected oil should be removed regularly for cleaning.

To obtain the best performance from your Rangehood, turn the unit on before you start cooking and leave it running for 2 to 4 minutes on completion of your cooking. This will ensure all residue vapours have been collected and assist in cleaning any remaining cooking smells from the air.
Empty and dispose of the collected oil in the cups on completion is recommended.

D. Tools and materials required

- One common screwdriver.
- Plier (for opening electrical knockout).
- 2 Piece cross framing lumber (2"x10")to reinforce the ceiling drywall.
- Electrical wire and supplies to comply with local cords.
- Electrical power drill.

E. Halogen light replacement

Note:

The halogen light will be very hot when it is working Never touch it with bare hand(s).

Before changing halogen lights, ensure the unit is switched off and the halogen light is cool.

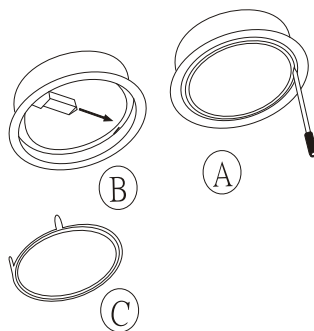


Fig. 7 Lamp assembly

Note : Ensure the unit is switched off. Before changing lamp.

- A. Using suitable tool (Small screw driver) gently pry off the Lamp cover lens.
- B. Remove the unserviceable Lamp. Replace the removed lamp with serviceable new lamp, taking note not to touch the glass lamp surface with your bare fingers. (Use a suitable cloth) .
- C. Replace the lens cap and reconnect the power and test lamp.

F. Simple trouble shooting rules

Symptom	Correction
Both fans are not operatable	<ul style="list-style-type: none">A. Check power source to see if it is normalB. Check power inlet plug to see if it is plugged firmly into it's socket
Illuminating indicator lamp gives no light	<ul style="list-style-type: none">A. Disconnect the power sourceB. Check lamp bulb, replace it with a new one if it is burned out
Hood vibrates	<ul style="list-style-type: none">A. Check for damaged vanesB. Check if exhaust duct is secured

G. Use and care

Note:

For Stainless Steel type, peel off the PVC films before use.

Operate switches (Fig.8)

Motors were rotated individually

Switch A : Main switch

Switch B : Light switch

Switch C : Fan switch

Switch D : Fan switch

II- high speed 0- off I- low speed

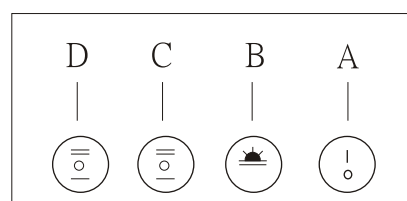


Fig.8

Note:

Range hood should be turned on either before or the same time when cooking begins. After cooking, range hood should be kept on for about 3 more minutes for complete ventilation of cooking odor.

Care Instruction:

Please always pull the plug out outlet, when cleaning or dismantling, wear 'Safety gloves' to reduce the risk of any injuries.

Exterior: Can be cleaned with any type of non-abrasive detergent and a clean cloth. "Green Pad" etc. And any metal type cleaning pad is not recommended for exterior.

Interior : A. Switch ON the fan at High, mix mild detergent with water in mist-sprayer, at fine-spray mixture on to the blades for 60 seconds with the fan running.

B. Leave fan on for an additional 4-5 minutes to dry oil basin.

C. Repeat on other turbine vane (can be cleaned simultaneously with the first).

H. Maintenance and cleaning

Regular maintenance and cleaning will ensure good performance and reliability, while extending the working-life of the Rangehood.

Wipe the net over the fan/ Air intake on completion with a damp cloth this will assist in prevention of minute oil/grease build up.

I. Maintenance Instruction

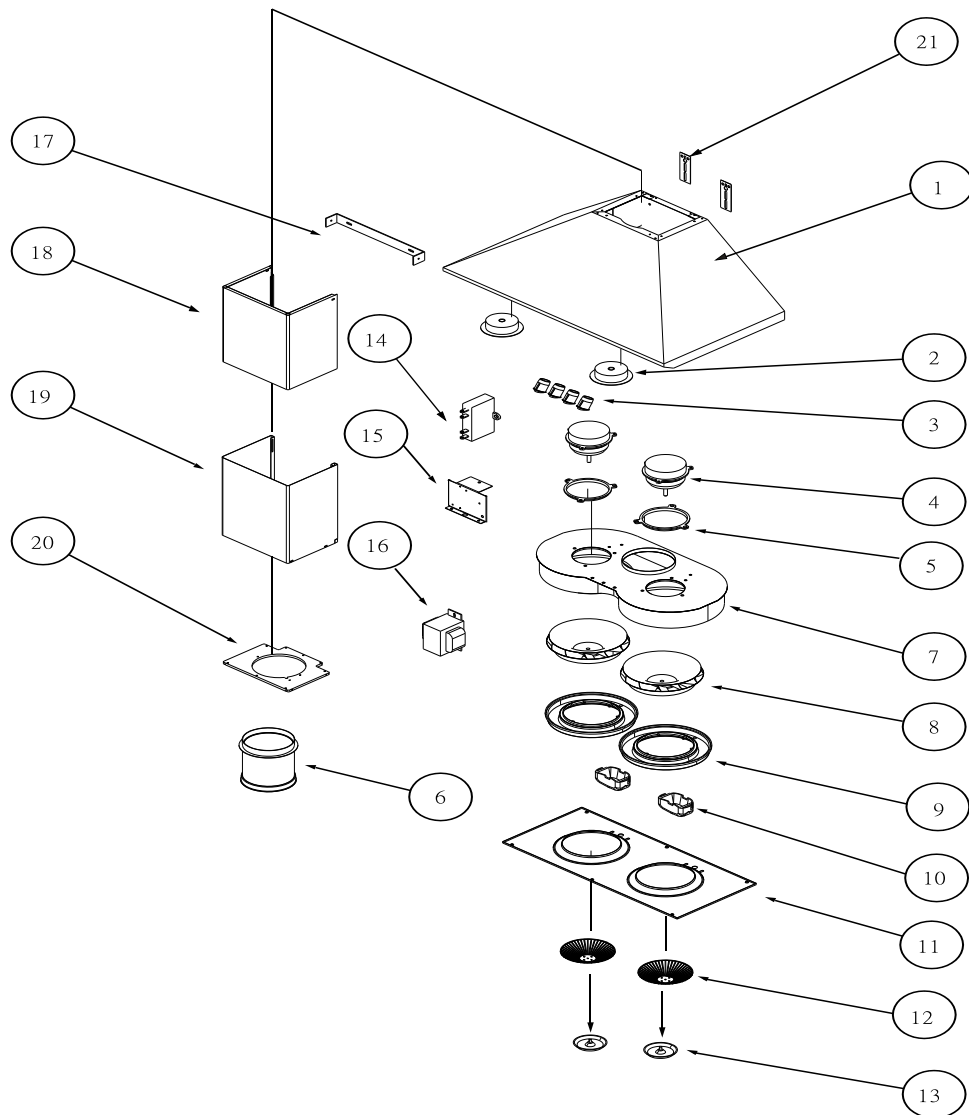
- A. Maintenance shall be important than repair. Please take care of the needed maintenance in order to secure and extend the excellent functions and using life.

Note:

Before repairing the range hood. Disconnect the power source.

- B. After using the machine, wipe the machine by neutral detergent in order to keep it clean and maintain the appearance with brightness and sanitation.
- C. When the level of dirty oil of the collector reached $\frac{4}{5}$ of height, it has to be removed in order to avoid overflowing and pollution.

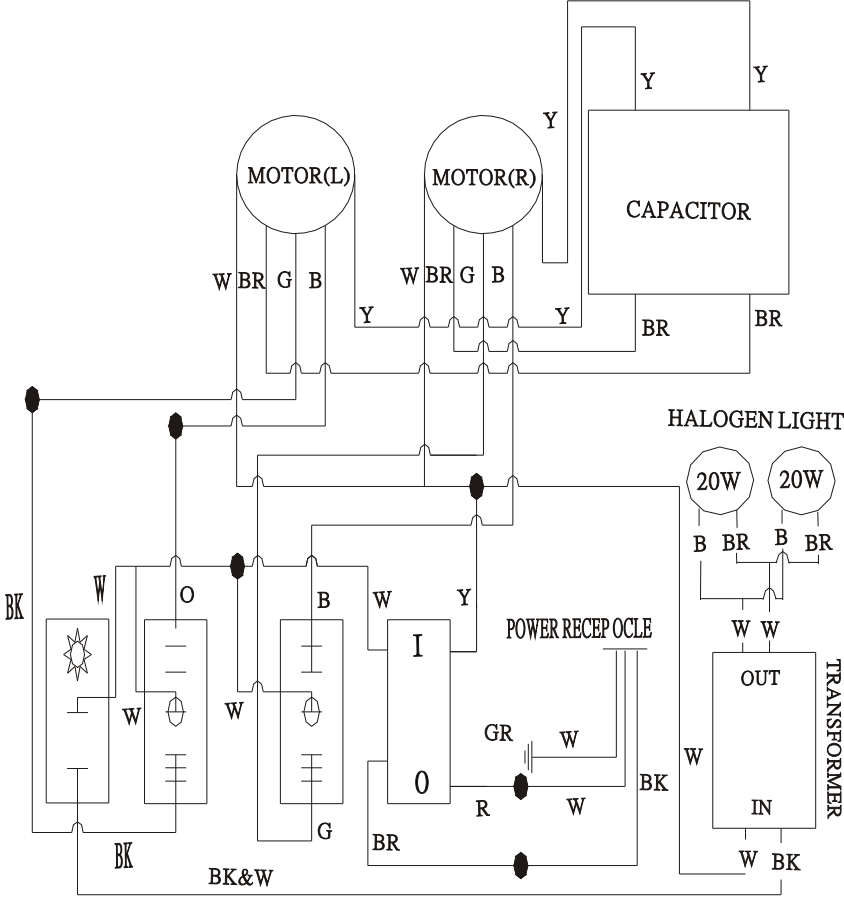
J. Parts layout diagram



1	Hood casting	8	Turbine impeller	15	Capacitor Bracket
2	Halogen light	9	Oil tunnel	16	Transformer
3	Control switch	10	Oil collector	17	Chimney Bracket
4	Motor	11	Bottom casting	18	Inner duct cover
5	Motor Stand	12	Safety screen	19	Outer duct cover
6	Exhaust pipe connector	13	Oil container	20	Duct cover-mounting bracket
7	Chamber	14	Capacitor	21	Hanging Bracket

K. Circuit diagram

Fig. 9 Details the internal electrical circuit of this range hood unit. Any faults with this unit should only be attended to by a qualified technician.



- W-WHITE
- BK-BLACK
- BR-BROWN
- BK&W-BLACK AND WHIT
- B-BLUE
- R-RED
- Y-YELLOW
- G-GREY
- O-ORANGE
- GR-GREEN

Fig. 9 Electrical Schematic Diagram

Free Manuals Download Website

<http://myh66.com>

<http://usermanuals.us>

<http://www.somanuals.com>

<http://www.4manuals.cc>

<http://www.manual-lib.com>

<http://www.404manual.com>

<http://www.luxmanual.com>

<http://aubethermostatmanual.com>

Golf course search by state

<http://golfingnear.com>

Email search by domain

<http://emailbydomain.com>

Auto manuals search

<http://auto.somanuals.com>

TV manuals search

<http://tv.somanuals.com>