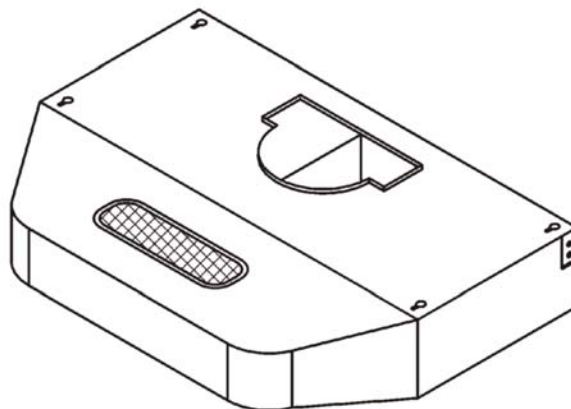


WINDSTER[®]

RANGE HOOD (HOOD FANS) OPERATING INSTRUCTIONS



MODEL: WS-208F



Before operating this appliance, please read these instructions completely.

CONTENTS

1.IMPORTANT SAFETY INSTRUCTIONS-----	1
2.SAFETY NOTES-----	3
3.TOOLS AND MATERIALS REQUIRED-----	3
4.INCLUDE THE FOLLOWING PARTS ACCESSORY PACKAGE-----	3
5.PREPARING THE RANGE HOOD-----	3
6.PREPARING THE INSTALLATION LOCATION-----	4
7.PROVIDING ELECTRICAL POWER-----	5
8.MOUNTING RANGE HOOD TO CABINET-----	5
9.MOUNTING RANGE HOOD WITHOUT CABINET-----	5
10.MAKING THE ELECTRICAL CONNECTION-----	6
11.USE AND CARE-----	6
12.MAINTENANCE INSTRUCTION-----	7
13.DUCTING-----	7
14.SIMPLE TROUBLE SHOOTING RULES-----	7
15.SERVICE PARTS-----	8
16.CIRCUIT DIAGRAM-----	12

1. Important Safety Instructions

Read and Save These Instructions

“CAUTION-To reduce risk of fire and to properly exhaust air, be sure to duct air outside where possible.

“WARNING-To Reduce the Risk Of Fire Or Electric Shock, Do Not use This Fan With Any Solid- State Speed Control Device.

“WARNING-TO REDUCE THE RISK OF FIRE, ELECTRIC SHOCK, OR INJURY TO PERSONS, OBSERVE THE FOLLOWING:

- a) Installation work and electrical wiring must be done by qualified person(s) in accordance with all applicable codes and standards, including fire-rated construction.
- b) Sufficient air is needed for proper combustion and exhausting of gases through the flue (chimney) of fuel burning equipment to prevent back drafting, Follow the heating equipment manufacturer' s guideline and safety standards such as those published by the National Fire Protection Association (NFPA), and the American Society for Heating, Refrigeration and Air Conditioning Engineers (ASHRAE), and the local code authorities.
- c) When cutting or drilling into wall or ceiling, do not damage electrical wiring and other hidden utilities.
- d) Ducted fans must always be vented to the outdoors.
- e) If this unit is to be installed over a tub or shower, it must be marked as appropriate for the application and be connected to a GFCI (Ground Fault Circuit interrupter)-protected branch circuit.
- f) NEVER plug a switch where it can be reached from a tub or shower.

WARNING- TO REDUCE THE RISK OF FIRE, USE ONLY METAL DUCT WORK.

WARNING- TO REDUCE THE RISK OF INJURY TO PERSONS IN THE EVENT OF A RANGE TOP GREASE FIRE, OBSERVE THE FOLLOWING:

A. SMOTHER FLAMES with a close-fitting lid, cookie sheet, or metal tray, then turn off the burner.

BE CAREFUL TO PREVENT BURNS. IF THE FLAMES DO NOT GO OUT IMMEDIATELY.

EVACUATE AND CALL THE FIRE DEPARTMENT.

B. NEVER PICK UP A FLAMING PAN - You may be burned.

C. DO NOT USE WATER Including wet dishcloths or towels - a violent steam explosion will result.

D. Use an extinguisher ONLY if :

1. You know you have a Class ABC extinguisher, and you already know how to operate it.
2. The fire is small and contained in the area where it started.
3. The fire department is being called.
4. You can fight the fire with you back to an exit.

64A, 10 The installation instructions for a permanently-connected fan shall include, in addition to those items that apply to permanently-connected fans in 64A. 1 - 64A.9, all of the following warnings and instructions verbatim and in the order shown and as applicable to fan type!



SAFETY NOTES

1. All electrical work must be done in accordance with local and/or national electrical code as applicable for safety. This product must be grounded. If you are unfamiliar with methods of installing electrical wiring, secure the services of a qualified electrician.
 2. Turn off power at service entrance before installing wiring or servicing this product.
 3. Turn off power to avoid risk of fire electric shock or injury to person for cleaning and users maintenance such as lubrication.
 4. To avoid motor bearing damage and noise and/or unbalanced impellers keep drywall spray construction dust etc. off power unit.
 5. Fireplaces, gas furnaces, water heaters, and the like require proper flow of combustion air and exhaust. Make sure this flow is not altered when using any exhaust fan.
 6. Please read specification label on product for further information and requirements
- CAUTION: To reduce the risk of fire and to properly exhaust air, be sure to duct air outside. Do Not vent exhaust air into spaces within walls or ceilings or into attics, crawl spaces or garages.

TOOLS AND MATERIALS REQUIRED

- Drill, electric or ratchet drive, with 3/16" wood bit (for drilling starter holes) and 1 1/4" wood bit (to drill an access holes in the cabinet or kitchen wall for the electric power line)
- One common screwdriver.
- Plier (for opening electrical knockout).
- Two 1" (thick) x 2" (wide) x 12" (approximate length) wood strips for recessed bottom kitchen cabinet installation only. (purchase locally).
- Electrical wire and supplies to comply with local codes.
- For 1 1/4" long flat head wood screws (purchase locally) to mount wood strips.
- Pencil and ruler for marking locations .
saber saw or keyhole saw for cutting the 1" x 2" wood strips to length.

INCLUDING THE FOLLOWING PARTS ACCESSORY PACKAGE

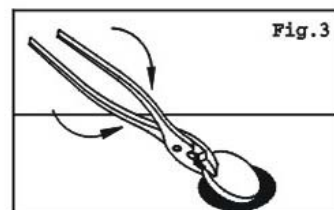
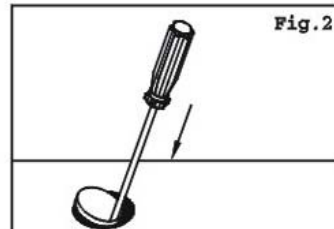
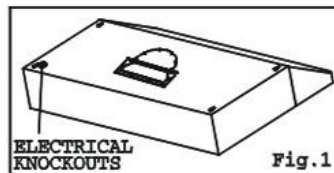
1. wood screw 3/16" x 1" L-4PCS.

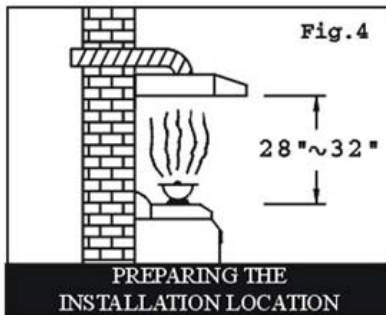
PREPARING THE RANGE HOOD

1. Remove either the top or the rear electrical knockout, depending on how you plan to bring power to the range hood (through the cabinet or through the wall). (Fig. 1)
2. Insert a screwdriver into the knockout slot and bend the knockout back and forth (Fig. 2). You may have to use pliers to pull the loosened knockout free. (Fig.3)

Note

When installed, the bottom edge of your range hood should be 28"–32" above the top of the cooking surface. (Fig.4)



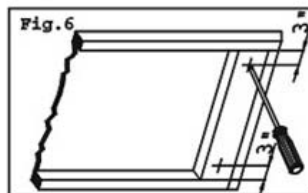
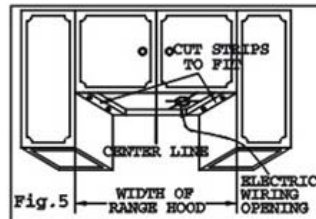


1. If you move the range to make room for working on the cabinet turn off the 220 volt power for the electric range at the service entrance. Before moving a gas range, shut off the gas.

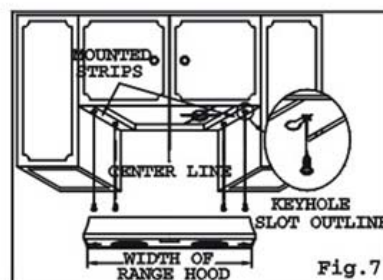
Note
Omit steps 2a through 2d if the hood is to be mounted on a cabinet with a flush bottom.

2. For installation onto a recessed bottom cabinet :
 - a. Measure the space (under the cabinet) between the inside front edge and in side back edge (Fig. 5) . With a saber, cut two 1" x 2" wood filler strips (purchased locally) to fill in the bottom of the cabinet.
 - b. Start a 1 1/4" long wood screw (purchased locally) about 3" from each end of the 1" x 2" wood strips (Fig. 6) .
 - c. Position the strips on the cabinet bottom and screw the strips securely to the cabinet (Fig. 7) .
 - d. For a more secure installation, drill four 3/16" holes from inside the cabinet, down into the wood filler strips. Insert screws into the starter holes in cabinet and tighten screws until wood filler strips are secured under cabinet.

3. Center the hood in place beneath the cabinet and flush with the front of the cabinet. Mark the following:
 - a. The four keyhole mounting slots for the hood. mark these onto the bottom of the cabinet ; or , if the cabinet bottom is recessed. Onto the wood strips (Fig. 7)
 - b. The electrical knockout hole. (Fig. 1)



4. Screw the four 1" wood screws (for mounting the hood) into the exact center of the arrow and of the keyhole mounting slots marked on the cabinet bottom (for flush installations), or marked on the 1" x 2" wood strips (for recessed cabinet installation) (Fig. 7). Do not turn the mounting screws in all the way. Allow 3/8" of screw to project, so the hood can be fitted place. (The screws will be tightened later) .



PROVIDING ELECTRICAL POWER

1. After turning off the proper 120 volt circuit at the service entrance, drill out The electrical power line access hole marked on the cabinet bottom or wall. use a 1 1/4" wood bit. To operate the electric drill, use an extension cord connected to another circuit (Fig. 8)

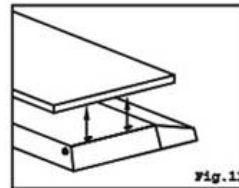
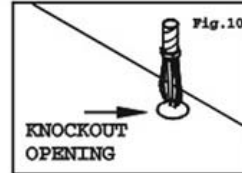
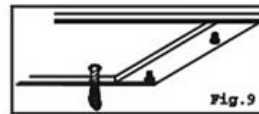
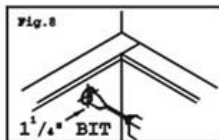
SAFETY WARING

If drilling into the walls . be careful not to cut existing electrical cabbies . which would create a hazard

2. Fish the electrical power line through the access hole drilled in the wall or bottom of the cabinet. Attach an appropriate connector (purchased locally) to the end of the power line for the type of wiring being installed. Follow all codes. (Fig.9)

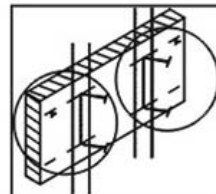
MOUNTING RANGE HOOD TO CABINET

1. Position the hood in place so that :
 - a. The electrical line is routed through the appropriate knockout opening. This step will have to be accomplished while positioning the hood (Fig. 10)
 - b. The large part of the keyhole mounting slots on the hood fit onto the hood mounting screws projecting from the bottom of the cabinet (Fig. 11)
2. Adjust the hood so the front is flush with the cabinet front.
3. Tighten the hood mounting screws all the way into the cabinet or into the 1" x 2" wood strips so the hood is secure.

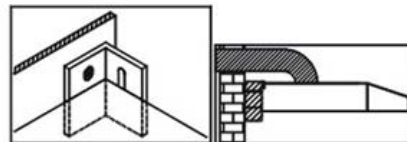


MOUNTING RANGE HOOD WITHOUT CABINET

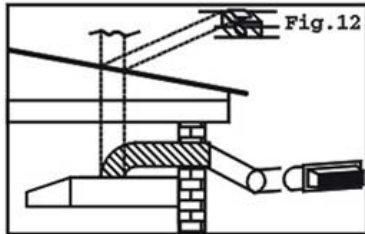
1. Using metal brackets and screws (included), center hood onto board and install screw.
2. Remove the hood from the board and nail the wood board onto the wall. (Be sure the nail is in the center of the stud)



1. Place the range hood on the board and tighten the screw.



(For a more secure installation, drill two more screws at the bottom of the hood and screw on the board)



MAKING THE ELECTRICAL CONNECTION

1. Using the screwdriver to turn the three screws at the front of bottom board. (Fig.13)

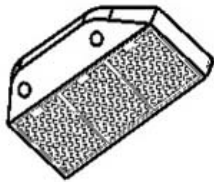


Fig.13

2. Remove screws on wiring case, fish out wires through the knockout. (Fig. 14)

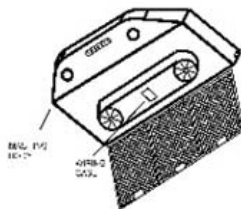


Fig.14

3. Mark the electrical connection by fastening all wires to the existing wall wiring according to their colors. (Black to Black, White to White, Green to Ground)
4. After connection is done, reinstall wiring case over and bottom board.

5. Slide plastic collection cups onto the back metal mounting.
6. Turn on power and check operation of fan and light.

USE AND CARE

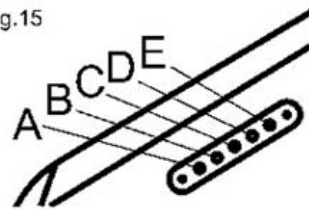
Note

For Stainless Steel type peel off the PVC films before use

Operate Switches (Fig 15)

- Switch A : Power Switch
- Switch B : Slower switches
- Switch C : Middle switches
- Switch D : Fast switches
- Switch E : Light switches

Fig.15



Note

Range hood should be turned on either before or the same time when cooking begins. After cooking, range hood should be kept on for about 3 more minutes for complete ventilation of cooking odor.

CARE INSTRUCTION :

Exterior : can be cleaned with any type of nonabrasive detergent and a clean cloth. "Green Pad" etc. and any metal type cleaning pad is not recommended for exterior.

Interior : The range hood is specially designed for easy maintenance, all inner parts can be reassembled within minutes for a thorough clean. Just follow the steps below : (All parts should be cleaned with mild detergent)

1. Unscrew the two front screw on bottom board.
2. Take down bottom board by sliding the right side out from the through. Then the left side should become free too.
3. Pull grease ring out.
4. Unscrew fan cap. (Clockwise direction)
5. Unscrew fan blade screw, then fan will be dropped
After cleaning, just reverse the steps Above for reinstallation. (Starting with Steps 5 etc.)

**MAINTENANCE
INSTRUCTION**

- A. Maintenance shall be important than repair. Please take care of the needed maintenance in order to secure and extend the excellent functions and using life.

Note
Before repairing the range hood
Disconnect the power source.

- B. After using the machine, wipes the machine by neutral detergent in order to keep its clean and maintain the appearance with brightness and sanitation.
- C. When the level of dirty oil in the collector reached 4/5 of height, it has to be removed in order to avoid overflowing and pollution

DUCTING

This style of range must be vented via ducting to the outside of the house. Follow general rules when ducting the hood : Use correct size of ducting (6" or 7" round, 3-1/4 10" rectangular), do not reduce size of ducting, make all turns gradual, no short corners. If ducting ran will be longer than 10 feet enlarge duct by at least 1" inch diameter after each 10 feet. Tape all joints in ducting and all gasketed openings on hood for a tight seal. For duct openings not in use, tape directly over the metal plate (Include) & gasket.

FOR ROUND DUCTING FROM THE TOP:

Fit the gray plastic (included) over the circular opening in order to provide a tight seal for ducting to attach to. The GRAY ring is designed to fit either 6" or 7" ducting.

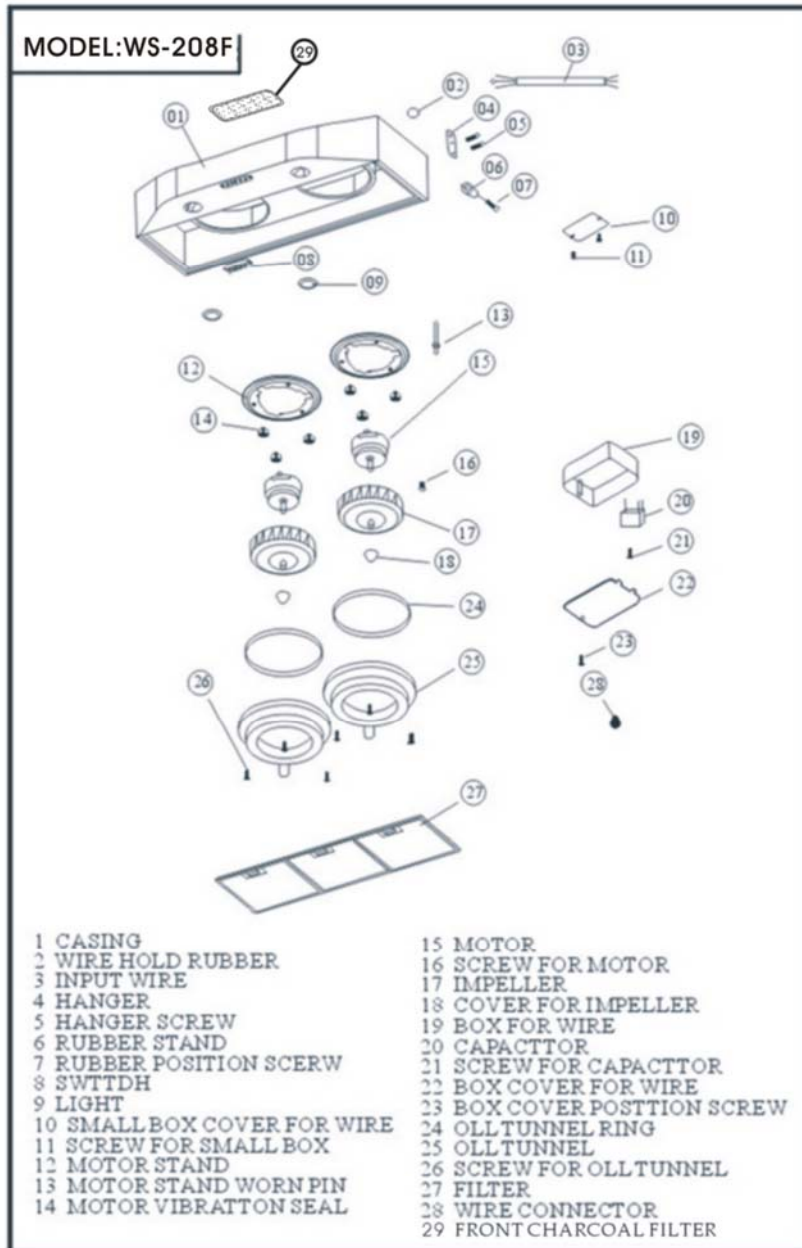
FOR DUCTING FROM THE BACK:

Both the small rectangular plate (from the back) and the half-circle plate should be used to close off the top of the hood entirely. Then seal with tape.

SIMPLE TROUBLE SHOOTING RULES

Symptom	Correction
Both fans are not operatable	(1)Check power source to see if it is normal. (2)Check power inlet plug to see if it is plugged firmly into it's socket.
Illuminating indicator lamp gives no light	(1)Disconnect the power source. (2)Check lamp bulb, replace it with a new one if it is burned out (60 Watts, with screw type plug).

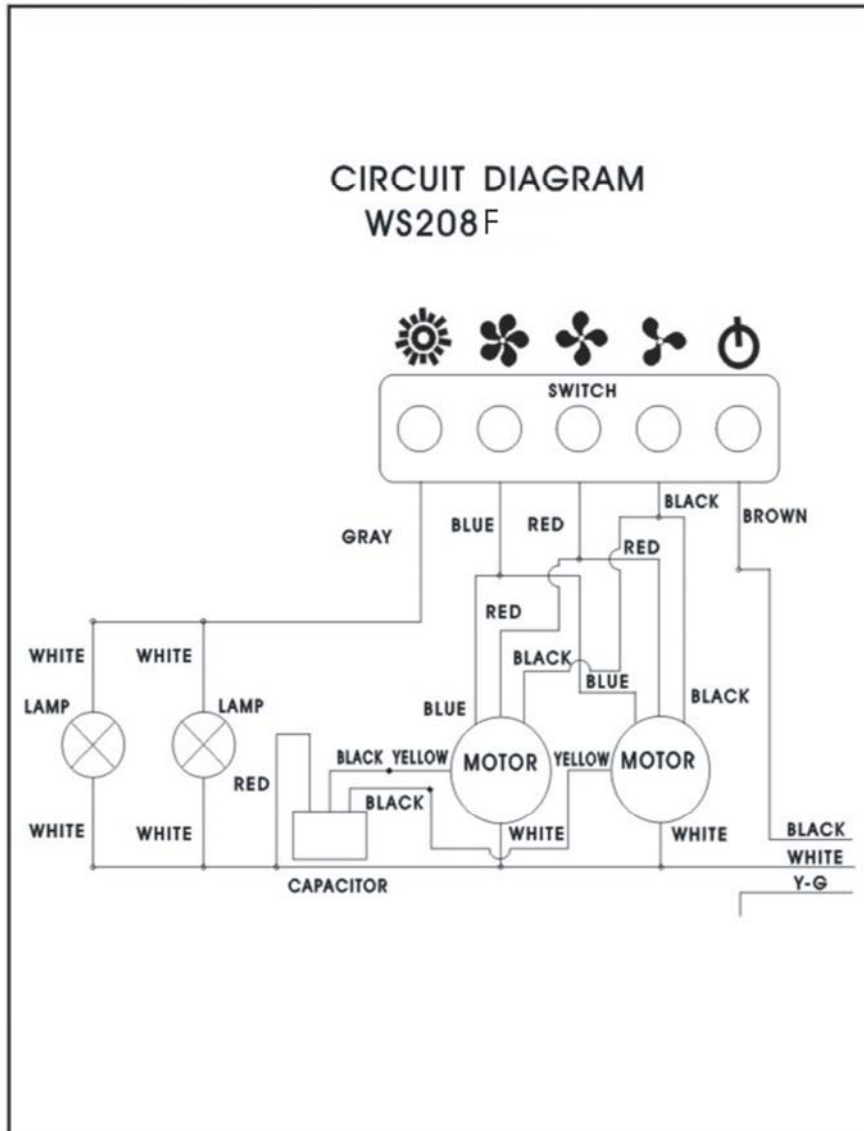
SERVICE PARTS



CIRCUIT DIAGRAM

CIRCUIT ASSEMBLY DRAWING OF TWO MOTORS HOOD
Remark: Condenser 60Hz 100V~120V

MODEL NO. WS-208 F



Free Manuals Download Website

<http://myh66.com>

<http://usermanuals.us>

<http://www.somanuals.com>

<http://www.4manuals.cc>

<http://www.manual-lib.com>

<http://www.404manual.com>

<http://www.luxmanual.com>

<http://aubethermostatmanual.com>

Golf course search by state

<http://golfingnear.com>

Email search by domain

<http://emailbydomain.com>

Auto manuals search

<http://auto.somanuals.com>

TV manuals search

<http://tv.somanuals.com>