

WINEGARD®

RoadTrip™

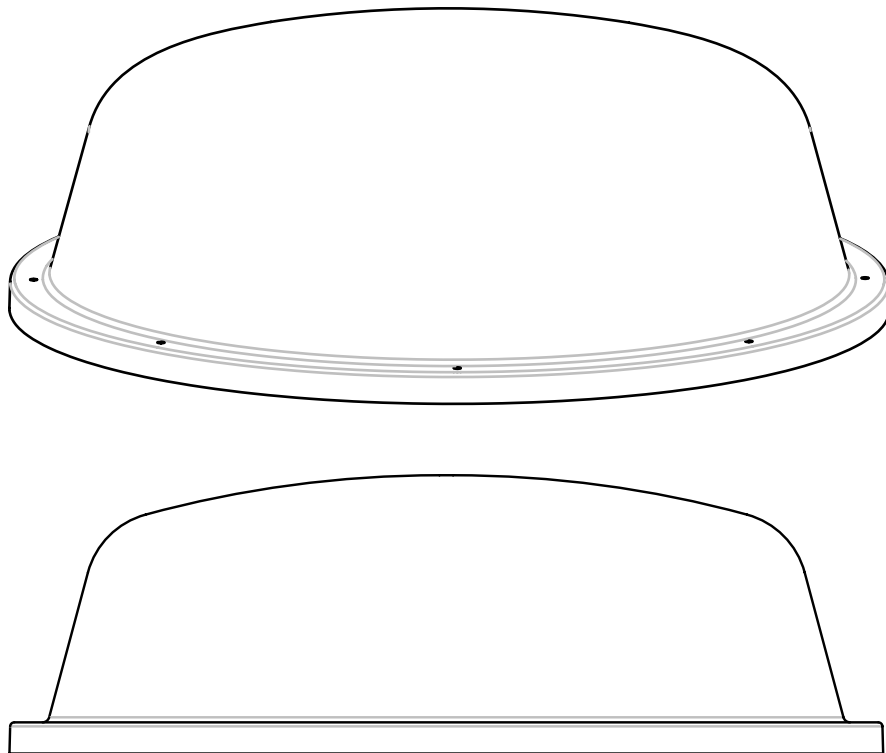
Digital Satellite Mobile Antenna for Two Receivers

RoadTrip™ SD - Stationary Satellite System

RoadTrip™ SDi - In-Motion Satellite System

INSTALLATION MANUAL

Made in the U.S.A.



Parts Included • Tools Needed • How to Unpack

The Winegard RoadTrip is designed specifically for use with motorized recreational vehicles. Winegard recommends using a qualified installer familiar with RV structure and wiring to ensure proper installation and to prevent damage to RV or dish.

PARTS INCLUDED:

1 Radome	4' Gray Coax Cable (OEM Model)
1 Cable entry plate	4' White Coax Cable (OEM Model)
All required screws, washers, bolts, and nylocks	4' Power Cable (OEM Model)
1 base with electronics, dish, dual LNBF, mounting feet	

TOOLS NEEDED FOR UNPACKING & INSTALLATION:

Level	3/8" Open end wrench
Drill w/3/4" bit	7/16" Open end wrench
1-1/4" hole saw (if mounting switch in wall)	Sealant (consult RV manufacturer for proper type for your roof material)
Phillips screw driver #2	

UNPACKING THE UNIT

1. Open box and remove packing material.



If using knife to open carton, BE CAREFUL. Do not cut the dome on the unit.

2. Lift dome out of box vertically. Then lift unit out of box vertically. **Do not turn box and "roll" out, or turn upside down to remove.**

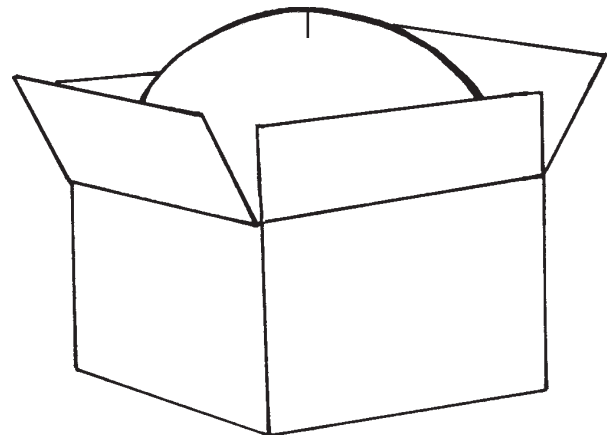


USE 2 PEOPLE when removing the unit from the carton.



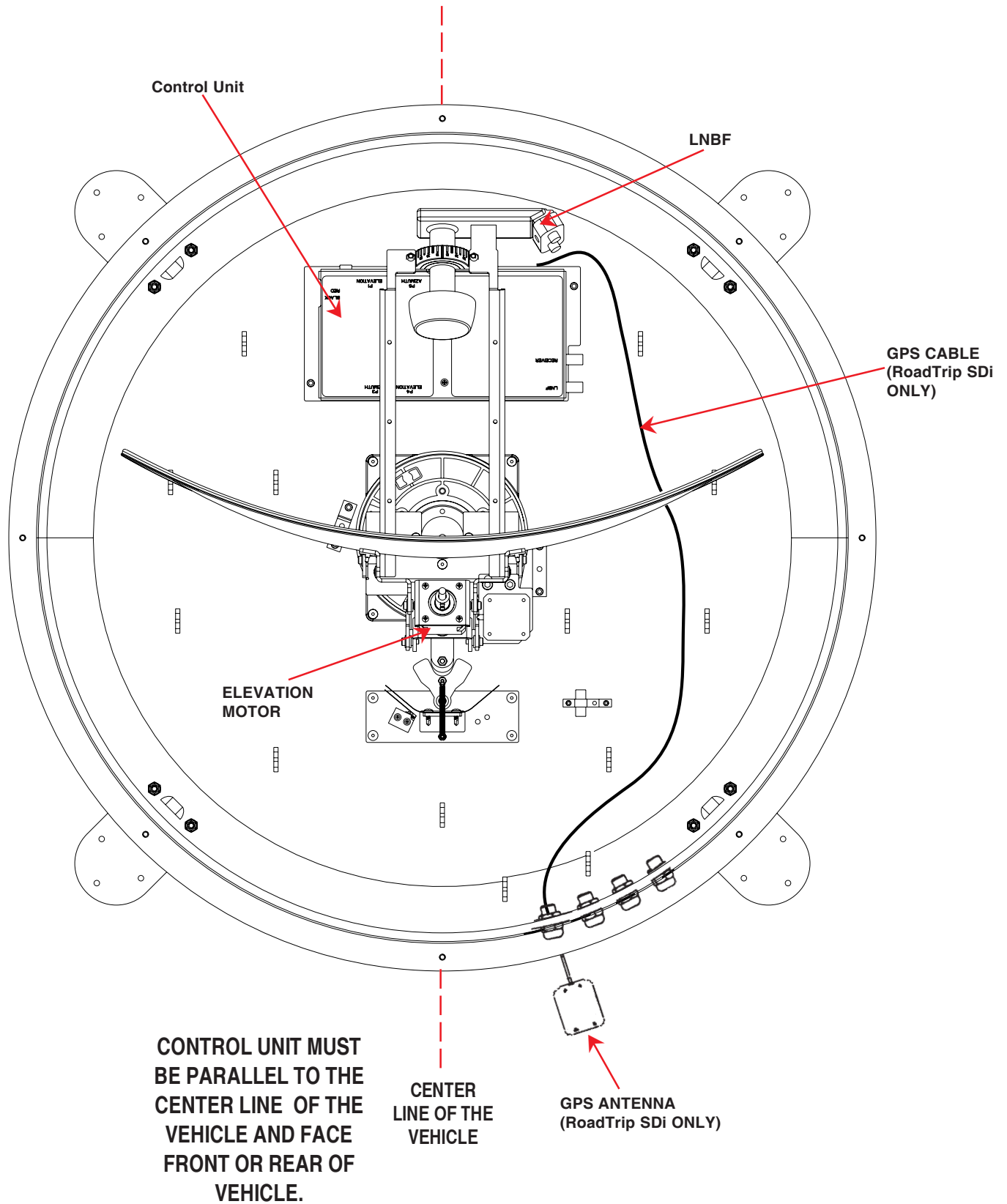
DO NOT PAINT DOME! Painting dome will cause signal degradation and will void your warranty.

**LIFT UNIT STRAIGHT UP
OUT OF CARTON!**



REV. 12/05

Installation Diagram



Quick Reference Guide

Your Winegard RoadTrip satellite System has been designed to be the most user-friendly Mobile Satellite Antenna on the market today. Upon installation of the antenna, or after changing satellite service provider, simply set the switches inside of the dome to the settings shown in the Operation manual. These switches enable the dish to locate the proper satellite for your service provider, and, for the RoadTrip™SDi In-Motion system, to be set for the proper installation option. Simply set the switch, and forget it! Your Winegard RoadTrip Satellite Antenna will locate the proper satellite with just the flip of a switch.

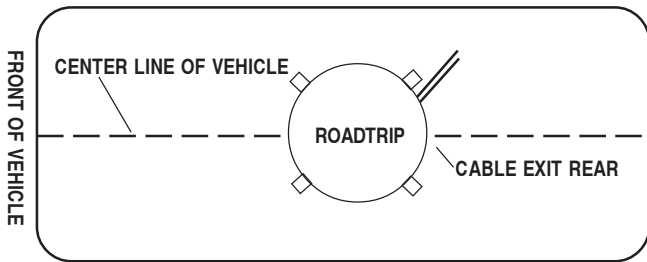
Mounting Instructions

It is essential to mount your RoadTrip Automatic System in the proper position and orientation on your RV roof to ensure proper operation. Choose a location on your roof clear of obstruction and close to your receiver and power source.

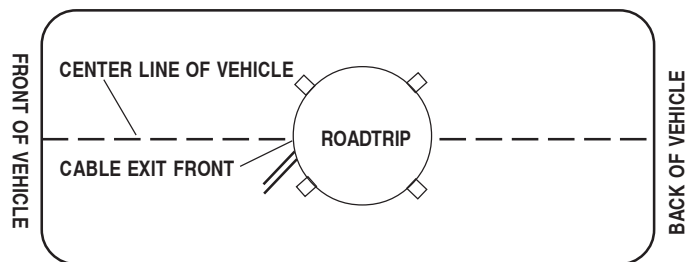
To ensure proper tracking with your RoadTrip™SDi, you must mount the unit so that the unit is centered on the centerline and cables exit either towards the front or back of the RV. See Figure 1c below.

FIGURE 1C

MOUNTING OPTION A



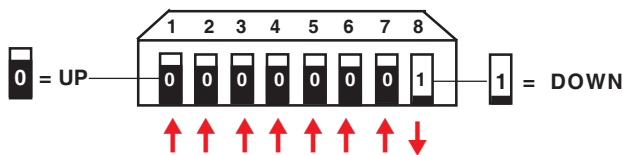
MOUNTING OPTION B



Switch Settings

After mounting the RoadTrip System to your rooftop, you must set the RoadTrip's switch settings for the mounting options chosen and satellite Television Service Provider. The chart below lists switch settings for both the RoadTrip™SD and RoadTrip™SDi. See page 3. of Operation Manual for detailed instructions.

RoadTrip™ SD



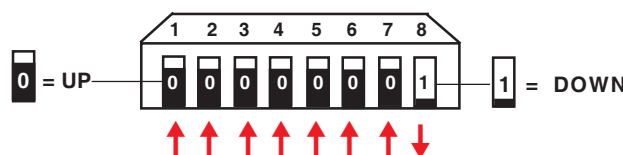
(#1 represents Switch DOWN; #0 represents Switch up)

Sat. Rcvr.	Mt. Option	Switch Set Position							
		1	2	3	4	5	6	7	8
DIRECTV	A	0	0	0	0	0	0	0	1
(FACTORY PRESET)									
DISH NETWORK	A	0	0	0	1	0	0	1	1

SWITCH SETTINGS SHOWN

0= UP 1= DOWN

RoadTrip™ SDi



(#1 represents Switch DOWN; #0 represents Switch up)

Sat. Rcvr.	Mt. Option	Switch Set Position							
		1	2	3	4	5	6	7	8
DIRECTV	A	0	0	0	0	0	0	0	1
(FACTORY PRESET)									
DIRECTV	B	1	0	0	0	0	0	0	1
DISH NETWORK	A	0	0	0	1	0	0	1	1
DISH NETWORK	B	1	0	0	1	0	0	1	1

SWITCH SETTINGS SHOWN

0= UP 1= DOWN

Installing unit on roof of vehicle —

Install in DRY conditions only!



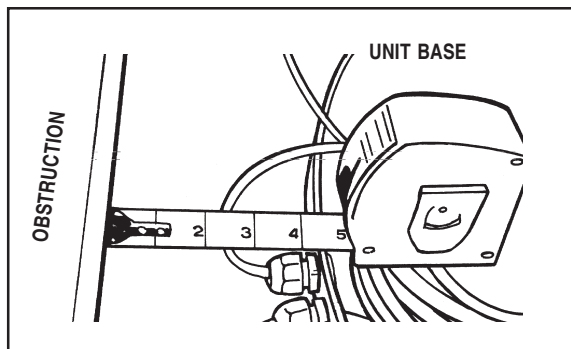
IMPORTANT! Do not install this system in the rain, or under any wet conditions. Moisture may affect electronics and void your warranty!

1. For best performance and to reduce signal acquisition time, park vehicle on a level surface; level the RV.
2. Select a level spot on your roof for installation.

Using the chart, determine the **minimum** distances to other equipment.

Obstruction Ht.	Unit Clearance
8"	2"
10"	8"
12"	13"
15"	22"

FIGURE 3



WARNING: Level the base front to back and side to side. If base is not level the RoadTrip may require more time to locate the correct satellite or may not locate the correct satellite.

- Be sure no roof-mounted equipment is blocking the satellite "line of sight", Fig. 3

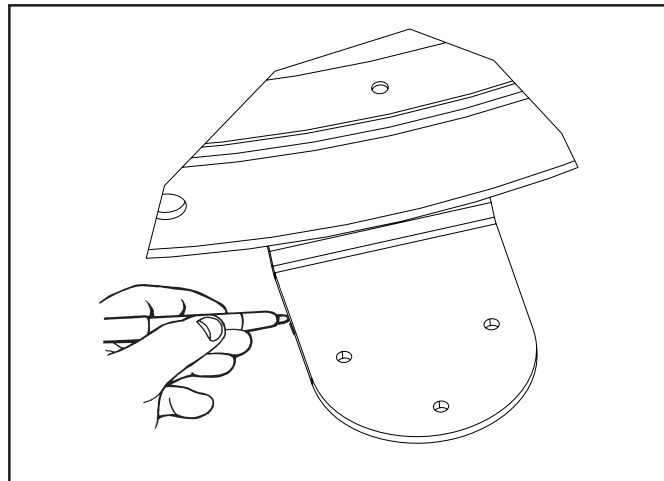
3. After selecting location for unit (see number 2), put the unit on the centerline of the vehicle.

4. Position base so that cables exit either toward the rear (Mounting Option A) or toward the front (Mounting Option B) of vehicle.

Electronics box MUST be parallel to the center line of the vehicle. See page 4.

5. Place the unit on the roof in its permanent location and mark around each base foot, Figure 4.

FIGURE 4

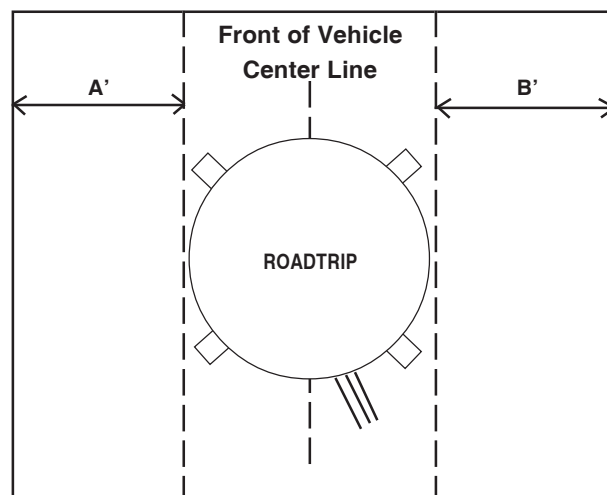


6. Clean roof area where the base feet will be attached to the roof. Do not erase your marks!

7. Put approved sealant in the areas marked for the base feet. Place base feet on top of the sealant and screw down with the (3) #10 screws for each foot.

8. After all base feet are secured to roof, put sealant around edge of feet and over screws.

FIGURE 5, Mounting Option A shown



The distance from the edge of the roof to the rear corner of the foot should be equal on both sides of the dish to ensure proper installation.

Installation

GPS installation — (RoadTrip SDi only)

10. The GPS antenna is pre-wired and has a 1 meter cable running through one of the connectors.

Determine location for GPS antenna. It is recommended you place the GPS antenna 3 feet from dome and away from any other obstruction.

The recommended location for the GPS antenna is based on having a level location and a clear view of the sky for the best satellite signal acquisition. Do not secure GPS antenna to roof at this time.

IMPORTANT! The GPS must be located minimum of 3 feet away from obstructions on roof of vehicle. **Antenna must have a clear view of the sky for proper operation.**



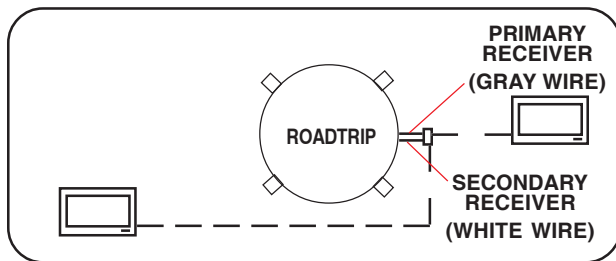
NICKS OR CUTS IN WIRING JACKET MAY CAUSE WATER TO LEAK INTO VEHICLE.

Cable entry installation —

1. Connect coax cables and power wire to RV pre-wire harness. Connect gray coax to pre-wire coax for primary receiver. Connect white coax to pre-wire coax for secondary receiver. Connect power cable to pre-wire power cable. See Figure 2.

2. Place cable-entry plate over hole and cables. Screw in place. Seal plate and screw holes with approved sealant (not included).

FIGURE 2
COAX CABLE ROUTING



INSTALLING THE POWER SWITCH

1. Choose a location to install the RoadTrip power ON/OFF switch. Remember when selecting a location that you will need to run the +12VDC power cable from the RoadTrip to the switch. **Be sure the switch is in the OFF position before continuing.** See Figure 7 page 9.

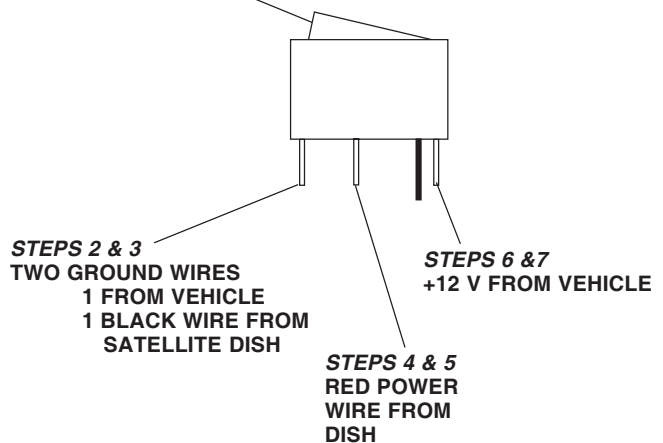
Wall or panel mount: Drill 1-1/4" hole, pull wires through wall or panel.

2. Connect the ground wire from the vehicle and the BLACK ground wire from the RoadTrip together, using large yellow flag connector.
3. Connect the YELLOW flag connector to the silver spade on the switch.
4. Connect the RED wire from the RoadTrip to the small RED flag connector.
5. Connect small RED flag connector to center spade on switch.
6. Connect the +12 V power wire from the vehicle to a small RED flag connector.
7. Connect small RED flag connect to isolated spade on switch.

INSTALLING THE POWER SWITCH DIAGRAM

FIGURE 7

ON/OFF ROCKER SWITCH WITH LIGHT
(Shown in OFF position.)



Connecting the receiver —

Connecting one receiver

1. Connect the coax cable from the gray coax cable of the RoadTrip™ to the “**SATELLITE IN**” on the receiver.
2. See page 5 of *Operations Manual* for receiver set-up.

Connecting two receivers

1. Connect the gray coax cable coming from the RoadTrip™ to the “**SATELLITE IN**” input on the primary receiver. The primary receiver is the receiver used most often and will toggle between satellites.
2. Connect the white coax cable coming from the RoadTrip™ to the “**SATELLITE IN**” input on the secondary receiver. **NOTE: Secondary receiver will not toggle.**
3. See page 5 of *Operations Manual* for receiver set-up.

Your RoadTrip™ has now been successfully installed. Proceed to the Operation Manual for RoadTrip™ setup and for Operation Instructions.

Features and specifications

- One button operation.
- Dual receiver capable.
- Depending on receiver type, you can access satellites 119°, 110°, or 101°.
- No user input required.
- Elevation range 20° to 60°; azimuth +360° (0-720°)
- Dome UV protected.
- Compact size —
32” diameter, 12-1/2” height
Shipping size - 37-1/4” x 34” x 14-3/4”
Shipping weight - 55 lbs.
- Operating temperature
-13°F to +140°F
- Specifications for max amperage 5.0A
- Specifications for unit operating voltage. -10.5 - 13.8V
- Specifications for supply voltage. 12 - 13.8V



Winegard Company • 3000 Kirkwood Street • Burlington, IA 52601 • 319/754-0600 Fax 319/754-0787 • www.winegard.com
Printed in U.S.A. © 2006, Winegard Company 2452086

Download from Www.Somanuals.com. All Manuals Search And Download.

Free Manuals Download Website

<http://myh66.com>

<http://usermanuals.us>

<http://www.somanuals.com>

<http://www.4manuals.cc>

<http://www.manual-lib.com>

<http://www.404manual.com>

<http://www.luxmanual.com>

<http://aubethermostatmanual.com>

Golf course search by state

<http://golfingnear.com>

Email search by domain

<http://emailbydomain.com>

Auto manuals search

<http://auto.somanuals.com>

TV manuals search

<http://tv.somanuals.com>