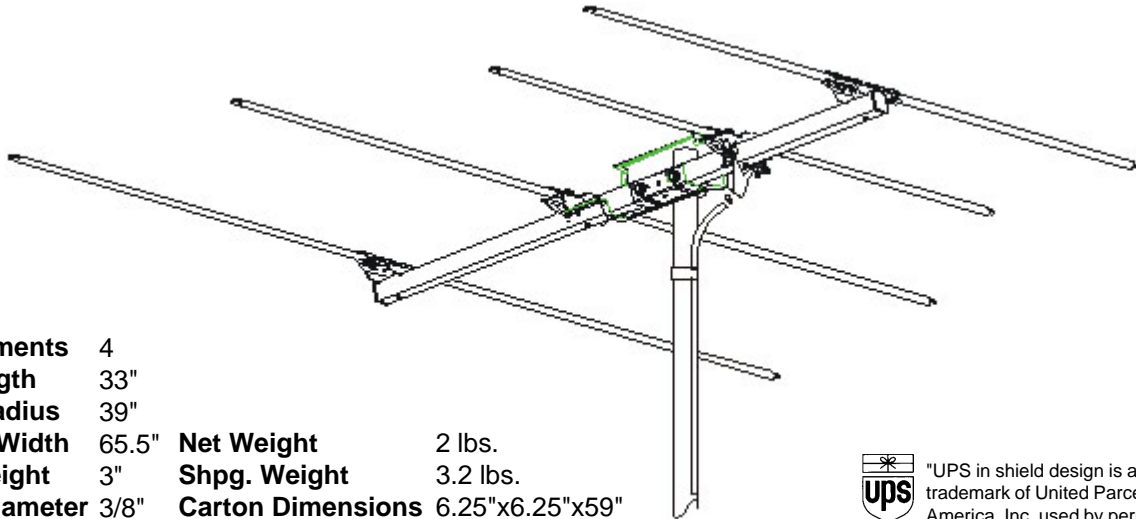


engineering specifications

Model PR-6000



Active Elements 4
Boom Length 33"
Turning Radius 39"
Maximum Width 65.5" **Net Weight** 2 lbs.
Vertical Height 3" **Shpg. Weight** 3.2 lbs.
Element Diameter 3/8" **Carton Dimensions** 6.25"x6.25"x59"



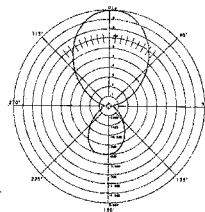
"UPS in shield design is a registered trademark of United Parcel Service of America, Inc. used by permission."

Output Impedance: 300 ohm / 75 ohm with included transformer
Recommended Preamp: AP Series

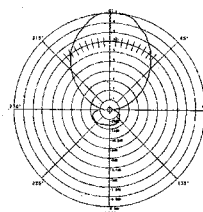
Made in U.S.A.

CHANNEL	88MHz	98MHz	108MHz
dB gain over reference dipole	5	5	5.2
beamwidth at half power points	67°	72°	71°
front-to-back ratio	6dB	14dB	16dB

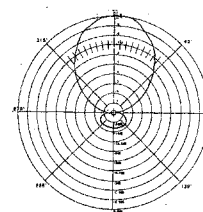
POLAR PATTERNS



88MHz



98MHz



108MHz

Free Manuals Download Website

<http://myh66.com>

<http://usermanuals.us>

<http://www.somanuals.com>

<http://www.4manuals.cc>

<http://www.manual-lib.com>

<http://www.404manual.com>

<http://www.luxmanual.com>

<http://aubethermostatmanual.com>

Golf course search by state

<http://golfingnear.com>

Email search by domain

<http://emailbydomain.com>

Auto manuals search

<http://auto.somanuals.com>

TV manuals search

<http://tv.somanuals.com>