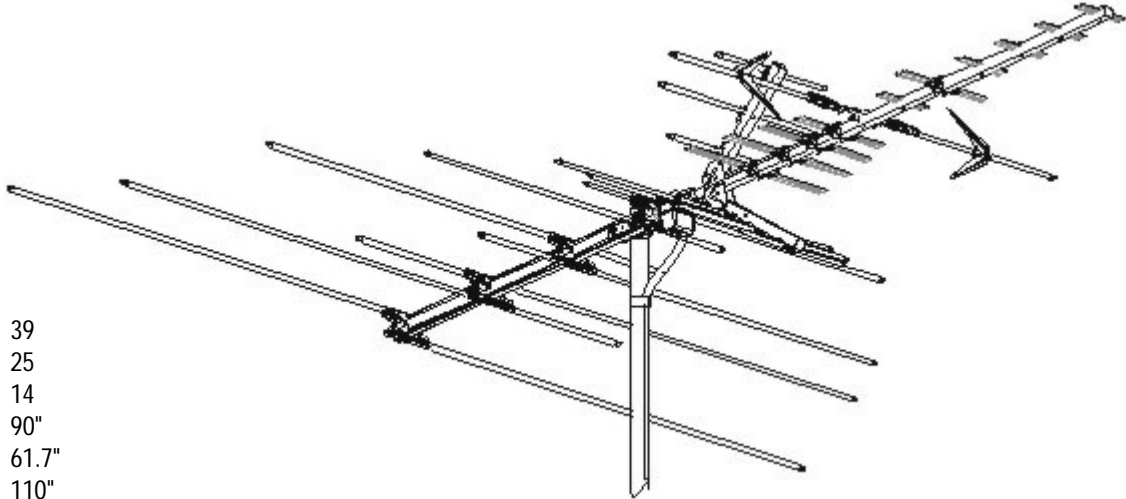


engineering specifications

Model HD7080P



Active Elements	39	Shpg. Weight	9.5 lbs.
UHF Elements	25	Carton Dimensions	6.25"x6.25"x101"
VHF Elements	14		
Boom Length	90"		
Turning Radius	61.7"		
Maximum Width	110"		
Vertical Height	19.3"		
Element Diameter	3/8"		



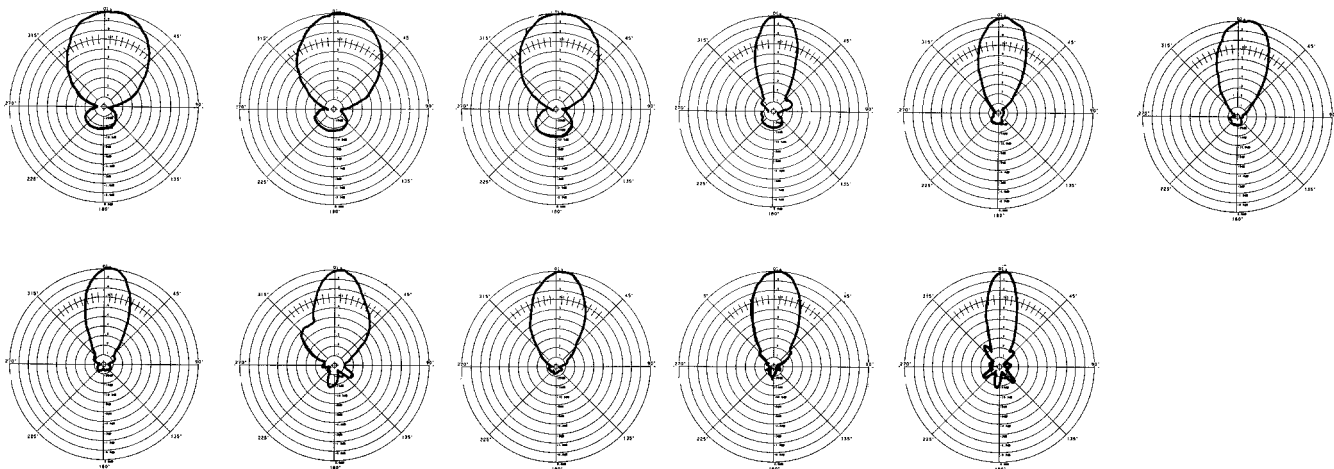
"UPS in shield design is a registered trademark of United Parcel Service of America, Inc. used by permission."

Output Impedance: 75 ohm
Recommended Preamp: AP Series

Made in U.S.A.

GAIN	CH.2	CH.4	CH.6	CH.7	CH.9	CH.11	CH.13	CH.14	CH.32	CH.50	CH.69
dB over reference dipole	5.1	5	2.8	7.6	9.5	9.2	11	11.7	11.4	11	10.2
beamwidth at half power points	75°	77°	77°	36°	42°	45°	39°	45°	46°	41°	35°
front-to-back ratio	13dB	13dB	11dB	15dB	19dB	greater than 20dB	greater than 18dB	13dB	greater than 20dB	20dB	14dB

POLAR PATTERNS



Free Manuals Download Website

<http://myh66.com>

<http://usermanuals.us>

<http://www.somanuals.com>

<http://www.4manuals.cc>

<http://www.manual-lib.com>

<http://www.404manual.com>

<http://www.luxmanual.com>

<http://aubethermostatmanual.com>

Golf course search by state

<http://golfingnear.com>

Email search by domain

<http://emailbydomain.com>

Auto manuals search

<http://auto.somanuals.com>

TV manuals search

<http://tv.somanuals.com>