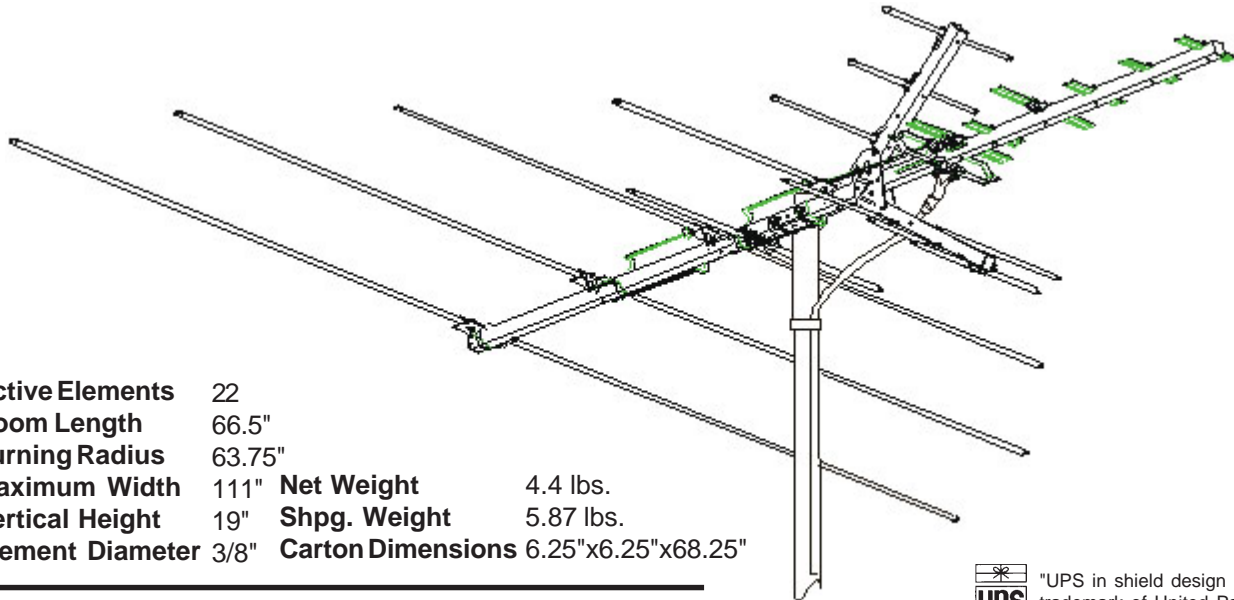


engineering specifications

Model PR-7010



Active Elements 22
Boom Length 66.5"
Turning Radius 63.75"
Maximum Width 111" **Net Weight** 4.4 lbs.
Vertical Height 19" **Shpg. Weight** 5.87 lbs.
Element Diameter 3/8" **Carton Dimensions** 6.25"x6.25"x68.25"

Output Impedance: 300 ohm / 75 ohm with included matching transformer
Recommended Preamp: AP Series

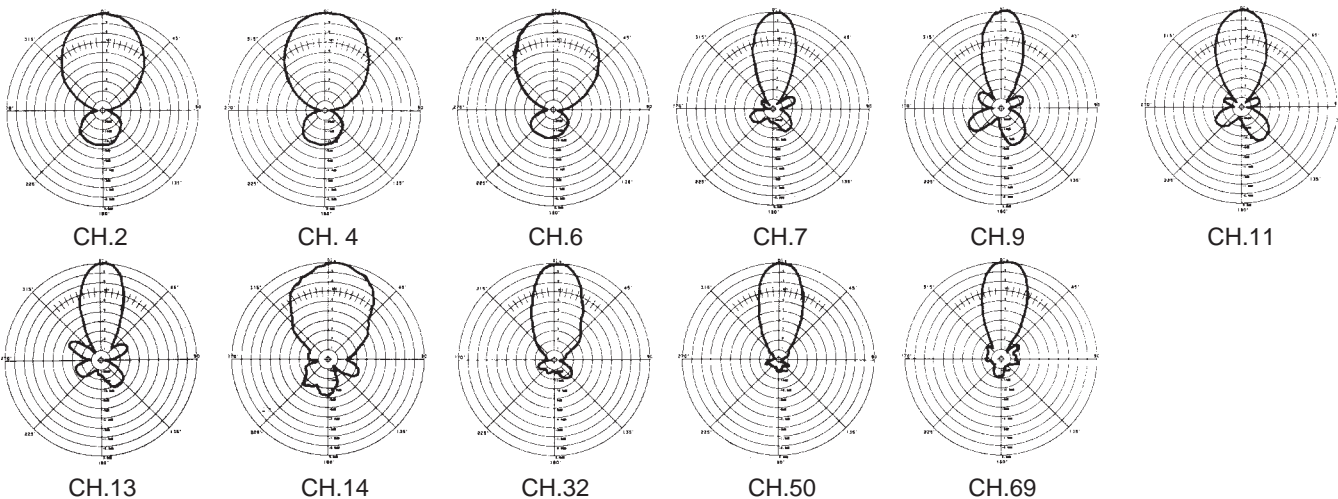


"UPS in shield design is a registered trademark of United Parcel Service of America, Inc. used by permission."

Made in U.S.A.

CHANNEL	CH.2	CH.4	CH.6	CH.7	CH.9	CH.11	CH.13	CH.14	CH.32	CH.50	CH.69
dB gain over reference dipole	2.3	3.6	1.9	6.8	6.8	7.3	6.3	8.1	8	8.3	7
beamwidth at half power points	75°	77°	77°	36°	36°	43°	37°	73°	40°	37°	39°
front-to-back ratio	9dB	9dB	10.5dB	11.5dB	8dB	8dB	10dB	7dB	12.5dB	19dB	15dB

POLAR PATTERNS



Free Manuals Download Website

<http://myh66.com>

<http://usermanuals.us>

<http://www.somanuals.com>

<http://www.4manuals.cc>

<http://www.manual-lib.com>

<http://www.404manual.com>

<http://www.luxmanual.com>

<http://aubethermostatmanual.com>

Golf course search by state

<http://golfingnear.com>

Email search by domain

<http://emailbydomain.com>

Auto manuals search

<http://auto.somanuals.com>

TV manuals search

<http://tv.somanuals.com>