

# USER MANUAL

---

02/2008

## W3500 COMFORT

**W3532**

---



Before the commissioning of the machine carefully read this User Manual. Always follow the safety precautions and instructions contained in this Manual! Please read carefully and take care to understand and comply with all recommendations and procedures!



WISCONSIN Engineering CZ, s.r.o.

---

**Important:** The following signs are located on your equipment or in the attached product brochure. Before using the equipment it is important to familiarize yourself with the meaning of each sign. If the self-adhesive label is damaged, illegible or has been removed, ask the dealer to send you a new label and attach it in the same place as the original label (ordering numbers of self-adhesive labels – according to the catalogue of spare parts).

**Safety symbols used on the self-moving rotary cutter:**



Attention!

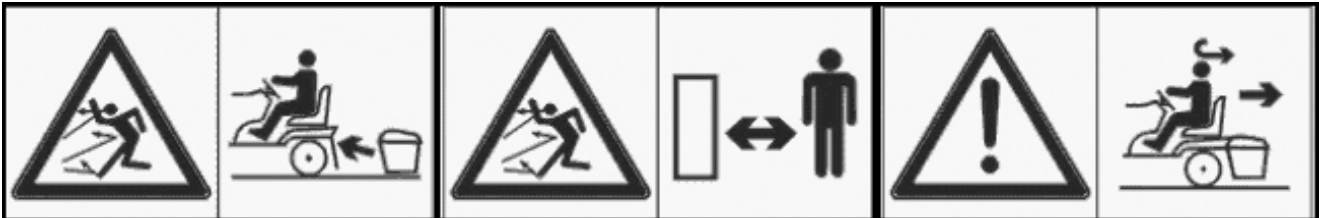
**Read the User Manual before using.**

Attention!

**Remove the ignition key before repair, adjustment and maintenance and proceed according to the Manual.**

Attention!

**Before repair, adjustment or maintenance disconnect the cable from the spark plug and proceed according to**



Risk of injury from flying objects.

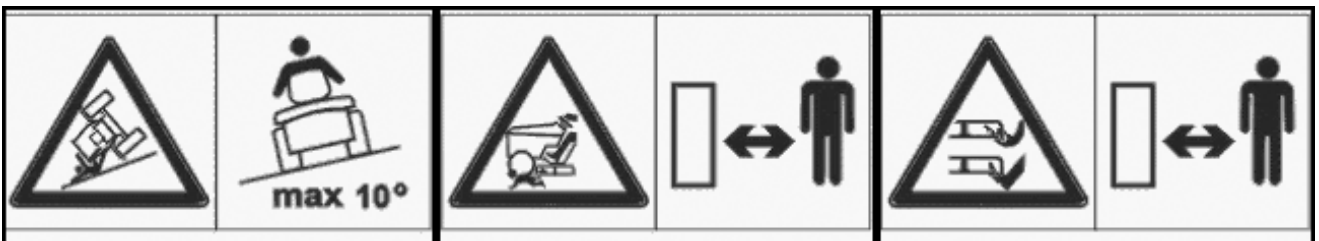
When cutting, the storage vessel must be attached or covered against stones.

Risk of injury from flying objects.

Keep a safe distance from other persons.

Attention!

When reversing, check the space behind the cutter.



Risk of overturning of the cutter.


Use cutter maximally on 10° slopes.

Risk of injury to small children.

Keep a safe distance from small children.

Risk of injury to hands, feet and fingers from rotating blades and leaves in the ventilator of the

Keep a sufficient distance.

<b>WISCONSIN Engineering, CZ s.r.o.</b> Prostějov		Czech republic www.wisconsineng.cz
Type	W 3532	 <b>LWA</b>  <b>103 dB</b>
Serial number		
Year of production		
Engine	Kohler	
Working output	12,0 kW	
Maximum output	16,2 kW	
Total weight	435 kg	

# **LAWN TRACTOR W 3532**

## **User and Maintenance Manual**

Dear Customer,

Thank you very much for choosing our product and we are sure that it will fulfil all your expectations. Please read this Manual carefully and proceed exactly according to the instructions. By doing do, you will ensure the optimal use and the long service life of the self-moving cutter. You will correctly use your investment. The producer reserves the right to make any technical and commercial changes. For this reason, your self-moving rotary cutter may report some small differences compared with this Manual without change to the principal properties and the manner of operation of the machine.

## **Design of the machine**

The machine is designed for cutting grass on treated areas of city greenery, sports sites, recreational areas, etc.

## **CONTENTS**

1. Regulations concerning the protection and safety of health during work .....	3
2. Marking and technical service .....	4
3. Unpacking and assembly .....	5
4. User Manual .....	6
5. Maintenance.....	14
6. Lubrication plan – Fig.25 .....	21
7. Basic specification and technical data for self-moving rotary cutters from the W3532 series .....	22
8. Electrical connection diagram – Fig.26.....	23
9. Maintenance of accumulator .....	25
10. Values of noise emissions and vibrations.....	26
11. Recycling.....	26


### **1. Regulations concerning the protection and safety of health during work**

Self-moving cutters of the W3532 series for cutting grass are produced according to the valid European safety standards.

For the W3532 model, the cutting mechanism is mounted with a swath of 1220 mm.

In the interest of security and the safety of other persons, keep to the principal regulations for correct use as mentioned below.



The symbol  at the beginning of the text indicates regulations concerning safety. Labels located on several areas of the self-moving rotary cutter are an integral part of the safety regulations and must not be removed or erased under any circumstances.



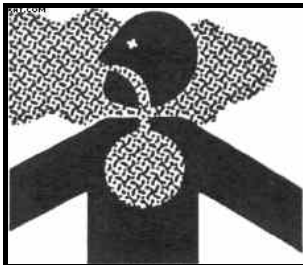
## Important!

### Responsibility

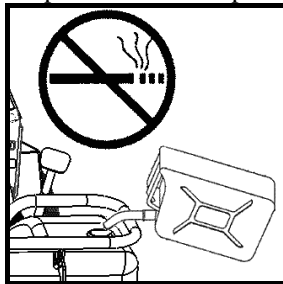
- 1) Persons under 18 and any person who do not fulfil the conditions of operation are not permitted to use the self-moving rotary cutter.
- 2) The user is responsible for any damage caused by a third person during the unauthorized operation of the machine.
- 3) The self-moving rotary cutter must be used in the respective manner for the purposes stated in this Manual. Each misuse has the consequence of the expiration of the warranty and the rejection of the responsibility of the producer.
- 4) The self-moving rotary cutter is equipped with a series of micro switches and safety equipment into which it is not permitted to intervene. This would lead to the expiration of the warranty and the rejection of the responsibility of the producer.
- 5) The self-moving rotary cutter must not be used on roads (1<sup>st</sup>, 2<sup>nd</sup> and 3<sup>rd</sup> class roads and highways). Transport to the working place is possible, e.g. on the trailer of a private car or tractor.

### Safety rules during operation

- 1) Wear appropriate clothes and shoes
- 2) The self-moving rotary cutter is to be activated in a clear or well ventilated area. Burnt exhaust gases are toxic!



- 3) **Attention! Do not activate the cutting mechanism of the self-moving cutter in the lower position.** Before activation **lift the cutting mechanism minimally into the 3<sup>rd</sup> position of the lifting lever** of the cutting mechanism; then lift the drive of the cutting mechanism or you can lower the cutting mechanism into the lowest position.
- 4) Add fuel only the engine is switched off in clear or well ventilated premises. Fuel vapours are explosive!



- 5) **Do not manipulate with fire and do not smoke near the tank.**

- 6) If the self-moving rotary cutter is not used for cutting grass, it is necessary to disconnect the blades and to lift the cutting mechanism to the highest position.
- 7) The transport of persons is forbidden.
- 8) Before each use it is necessary to check that the blades are firmly tightened and sharpened.
- 9) Before starting work, the working area must not contain other items, such as stones, branches, etc.
- 10) It is possible to use the self-moving rotary cutter for cutting only in the case that the bin for cut grass or the cover against stones are connected.
- 11) During cutting there must not be any persons or animals within the range of the working area.
- 12) It is permitted to use the self-moving rotary cutter on slopes with a maximum 10°(17%).
- 13) Each time you remove cut grass from the bin, the drive of the cutting mechanism must be disconnected and it is necessary to wait until the blades have stopped.
- 14) Do not make any intervention into the engine for the purpose of increasing the output and the revolutions.
- 15) Before getting off the self-moving cutter it is necessary to disconnect the drive of the cutting mechanism and to wait until the blades have stopped. Remove the key from the ignition before leaving the machine unattended.
- 16) During breaks which are necessary due to health reasons, the employee must not be affected by the excessive noise and vibrations.
- 17) In the case of professional use (or in the case of exceeding the maximum time of exposure according to point 15), it is necessary to submit **to the respective body of the hygiene service, the proposal for the specification of work as risky work in terms of noise and vibrations.**
- 18) Near residential buildings the machine can only be operated between 6:00 a.m. – 6:00 p.m.



### ATTENTION!

When working with the accumulator, keep to the safety precautions of the producer. The electrolyte in the accumulator is a caustic agent.

### Safety rules when the machine is disconnected and during maintenance

- 1) Never leave the ignition key within the reach of children and unauthorized persons.
- 2) Repair, maintenance, treatment and cleaning can be performed only when the ignition key has been removed from the ignition box.
- 3) Sharpen both blade edges and take care with the balancing of the blades.
- 4) Deformed or damaged blades must be replaced and must not be repaired. **Use only original brand knives.**

## 2. Marking and technical service

## Marking

Each self-moving rotary cutter is delivered marked with a name-plate which contains the most important data and the serial number. The serial number and the year of production must be stated in the case of each request for technical service and for each order of spare parts.

## Service

This Manual contains the instructions for the control of the self-moving rotary cutter and for the correct basic maintenance which is performed by the user. For performing actions which are not described in the Manual it is necessary to contact the seller or the authorized service.

## Spare parts

In the case of repair it is necessary to exclusively use spare parts which ensure safety and replacement. Each order of spare parts must include the serial number and the year of production.

For spare parts it is necessary to proceed according to the manual concerning the engine.

## Warranty

The warranty is provided according to the instructions in the Warranty certificate.

**For the engine warranty, the terms of the respective producer are valid.**

We recommend using only the additional equipment which is stated by the producer of the W3532 grass cutter, otherwise there is a risk of the expiration of the warranty. The possible connection of the other additional equipment must be consulted with the producer!

## 3. Unpacking and assembly

Due to the storage and transport, some construction groups of the self-moving rotary cutter are not assembled directly in the production plant but during the commissioning. The client must inspect the completeness of the machine. It is necessary to proceed according to the following instructions:

### Unpacking

After removing the package it is necessary to check all individual parts of the machine and the freely packed parts. It is also necessary to take care to prevent damage to the cutting mechanism when removing from the palette.

The standard package contains:

- self-moving rotary cutter
- wheel
- seat
- parts of the grass storage bin
- bag with documents and User Manual
- bag with pin for securing the wheel, 2 ignition keys
- 1 spare 10A, 40A fuses and 1 spare bulb
- parts for the assembly of the seat 2 bolts, 2 braces, 2 pads, 2 nuts.

### Assembly of the wheel – Fig 1a

1. Mount the wheel on the exceeding shaft
2. Face the hole of the wheel and the shaft with the delivered pin.
3. Fix with the hammer inside and check that it appears on the opposite side. (We recommend to use a cutting drift or screw driver)

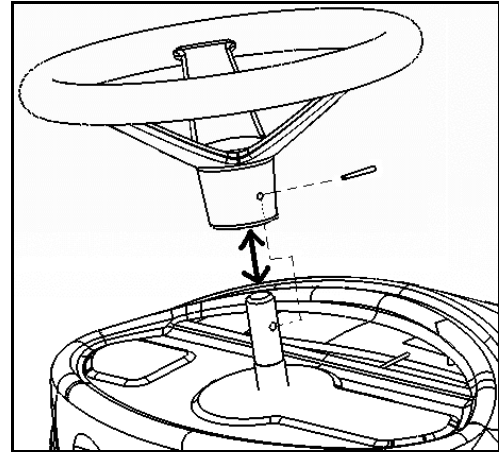
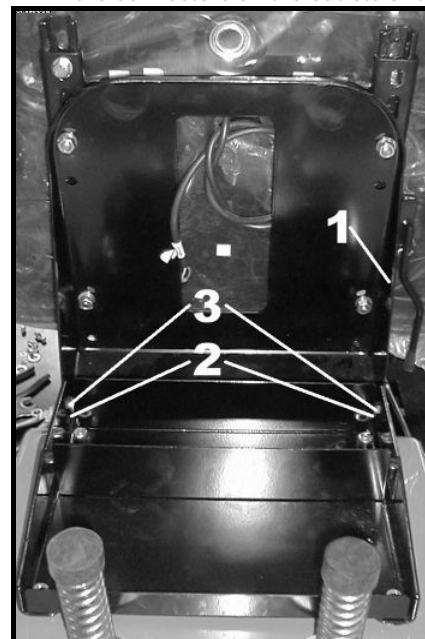


Fig.1a

### Attaching the seat – Fig.1b

- a. Attach the braces into the hole of the seat console (1).
- b. The seat is placed onto the seat catchers (2) on the machine.
- c. Place and tighten the bolts in position (3) and connect the switch of the seat by attaching the connectors on the outlets of the switch.



Fif.1b



**List of parts of the grass storage bin**

Pos:	Name	Pieces
1	bin cover 1	
2	front frame	1
3	bottom frame	1
4	brace I.	2
5	brace II.	2
6	curtain	1
7	bolt M6x10	2
8	bolt M6x16	6
9	bolt M6x20	4
10	plate 6	8
11	plate 6.4	2
12	nut M6	4

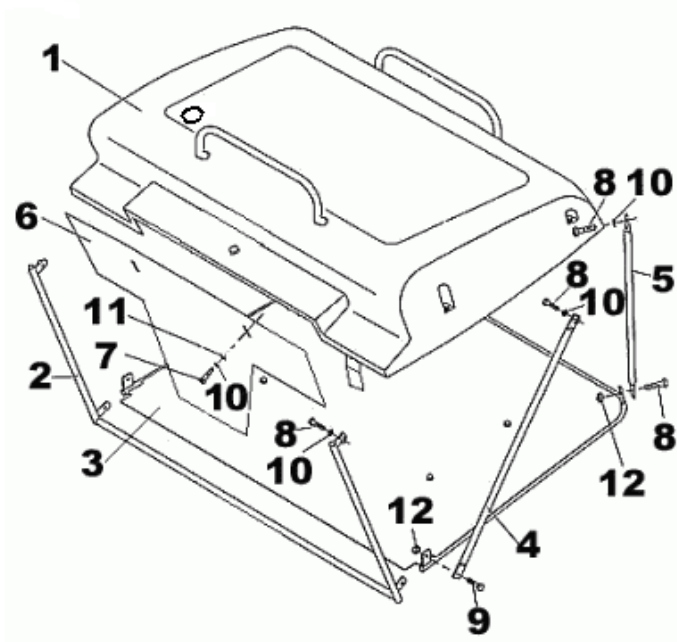


Fig.2

**Assembly of storage bin – Fig.2**

For the transport of the machine, the storage bin is partially disassembled. To assemble, we recommend the following procedure:

1. The assembly of the storage bin is performed according to Fig. 2 and the list of parts of the grass storage bin.
2. Place the paper from the package of the cutting machine on the table or the ground.
3. Place the cap of the storage bin pos. 1 on the paper. Spread the fabric for the easy assembly of bolts.
4. Screw the curtain to the cap pos.6. Push the curtain to the cap to the stop.
5. Screw parts. pos. 5,4,2, so that the free ends pos. 5,4,2, are approximately in the area. For pos. 4 and 2 the holes are in one axis.
6. Place the frame of the bottom pos.3 with the feet to the free ends of positions 5,4,2,. Then screw.
7. Lift the fabric and insert the locks of the fabric into pos. 2 and 3.
8. Before the placement of the bin on the self-moving rotary cutter we recommend to set the guiding “V” (obr.2a) into the position approximately perpendicular to the ground (with the switch for lifting the storage bin).
9. Place the storage bin on the guiding according to Fig.2 and check the tightening of the fabric and the placement of the storage bin in the closed position!

10. Insert the bar of the fork lifting cylinder into the hole in the upper cap of the storage bin and secure the fork with the flexible arrester. Fig. 2b)



Fig.2a



Fig .2b

**4. User Manual**

**4.1 Operation – Fig.3a, 3b, 3c**

1. Wheel
2. Panel
3. Pedal for forward and backward travel – travel pedal
4. Brake pedal
5. Parking brake
6. Level for regulation of the height of the cut.
7. Bolt for disconnection of the hydraulic travel
8. Gas lever
9. Choke rod
10. Ignition switch (switch box)
11. Switch for the drive of the cutting mechanism
12. Switch for tilting of the storage bin
13. AUT-MAN switch –switching between automatic and manual operation
14. Start signal lamp
15. Signal lamp for activation of the cutting mechanism drive
16. Brake activation signal lamp
17. Full storage bin signal lamp
18. Motor-hours counter – speed indicator – maintenance indicator

19. Switch for lifting front hanger (only for request with front hanger W3532 - Y0418)

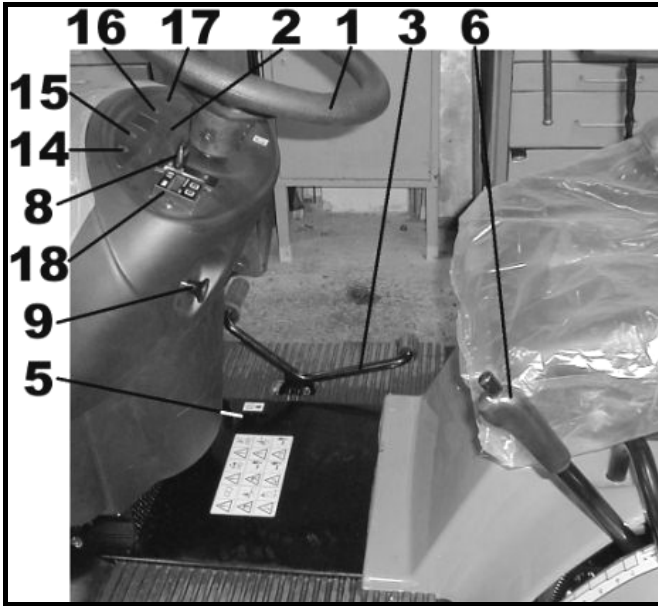


Fig.3a



3 4 7

Fig.3b



13 11 19 12

Fig.3c

## 4.2 Preparation before commissioning

### Fuelling

#### Hydraulic system – Fig.5

Regularly check the oil level in the hydraulic tank according to Fig.5. M8AD MOGUL SUPER (MOGUL SUPER 15W50) motor oil is required

$V_{N\acute{A}DR\acute{Z}E}$  = approximately 7 litres

#### Cleaner for the hydraulic system – Fig.5

During the replacement of the cleaner it is necessary to discharge the oil from the hydraulic system according to Fig.5a by discharging hole “H”. After discharging the oil, unscrew the cleaner and replace it.



Fig.5

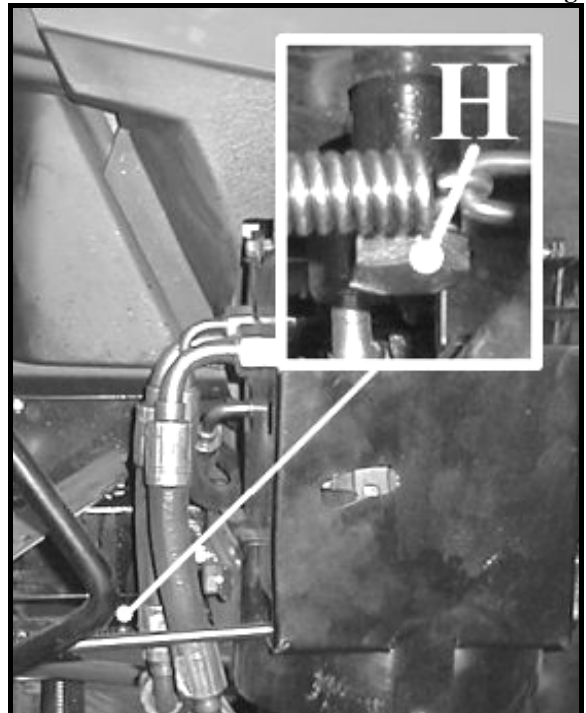


Fig.5a



Due to the transport, the self-moving rotary cutter is delivered **without motor oil and fuel. Before the activation of the engine it is necessary to fill up the engine box with oil**, and it is necessary to comply with the regulations of the Service Manual for the engine. Measure the level of the engine oil when the engine is disconnected which must be between the **MIN** and **MAX** lines of measuring bar "T" Fig.5. Using the filler, fill up the tank with fuel and take care not to over-fill the fuel. The tank holds approximately 9 litres The type of fuel and oil which are to be used are stated in the service manuals for the engine.

**Inflation of tyres**

The correct inflation of the tyres is the basic precondition for levelling the cutting mechanism and for the achievement for proportionally cutting the lawn.

Before inflation it is necessary to remove the cover and connect to the valves the pressure air pump equipped with the pressure gauge. Due to the use of tube-free tyres, a manual air pump is not recommended for the inflation of tyres.

Inflation of front wheels	1.4 bar
Inflation of rear wheels	1 bar

**Grass bag**

Place the tank on the guiding according to Fig. 2a and check the tightening of the fabric and the placement of the bag.

**Rear axle – Fig.5b**

The axle is filled with 0.8 L of PP90 oil.

- Filling hole -1
- Discharging hole -2
- Check hole -3

Note: In the case of the correct height of the level, the oil will start to discharge from the stable axle from the open check hole.

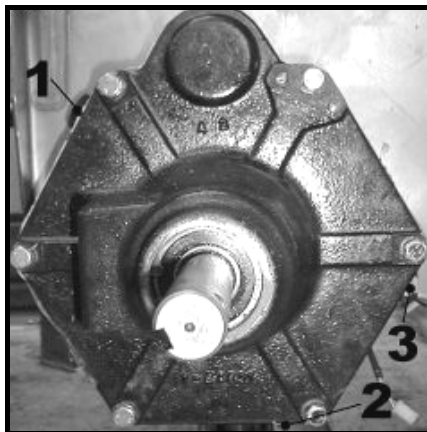


Fig.5b



**Important!**

The bag or the cover against the stones controls the switch which blocks the switching of the electromagnetic clutch for the driving of the cutting mechanism. In the case that the bag or the cover against stones is not connected, it is not possible to disconnect the cutting mechanism. It is forbidden to disconnect this mechanism or restrict its efficiency. The

spaces between the cap and the switch must be cleaned from cut grass during the work, if necessary> In the case of filling this space with grass it is not possible to run the engine when the bag is attached.

**Checking the blades**

Check that the blades are well sharpened and whether the respective hubs are reliably fixed. **Incorrectly sharpened blades can upland the grass and cause yellowing of the lawn.**

**4.3 Commissioning**

**Parking brake**

Braking with the parking brake is performed by pressing the foot brake pedal, the relocation of the "P" lever in Fig.6 backwards in the direction of the arrow, releasing the brake pedal and releasing the lever. The foot pedal remains in the lower position. The release of the brake is performed by pressing the brake pedal which causes the automatic release of the braking brake and the lever "P".

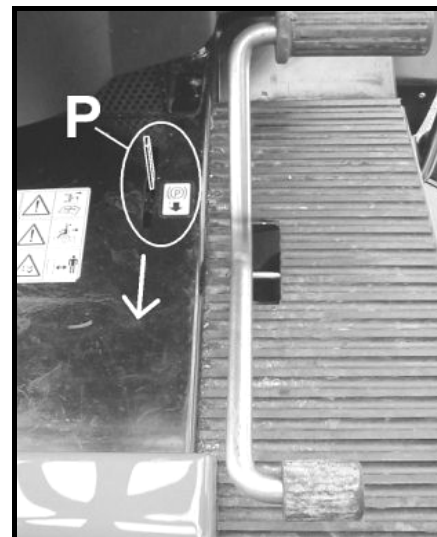
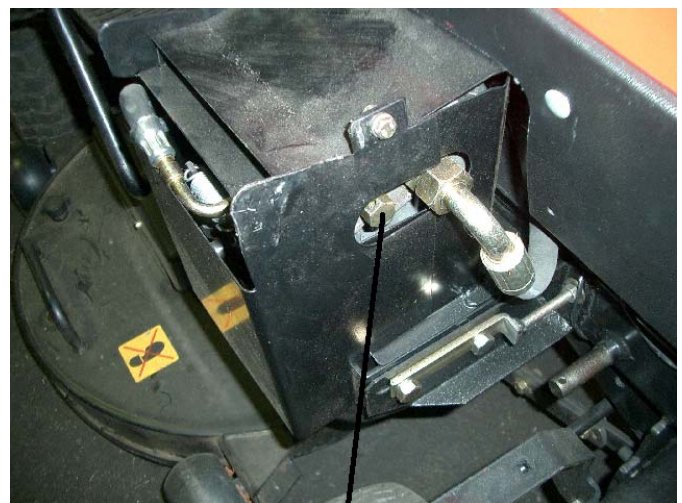


Fig.6



**V**  
Fig.7



### Disconnection of the travel drive

If it is necessary to manually move the self-moving rotary cutter without the engine started, it is necessary to release belt "V" according to Fig.7. When the hydro-drive is disconnected it is forbidden to activate the engine! Therefore, after relocation, immediately tighten the bolt again.

### Adjustment of the seat

The adjustment of the seat is performed by means of lever "S" according to Fig.7a.

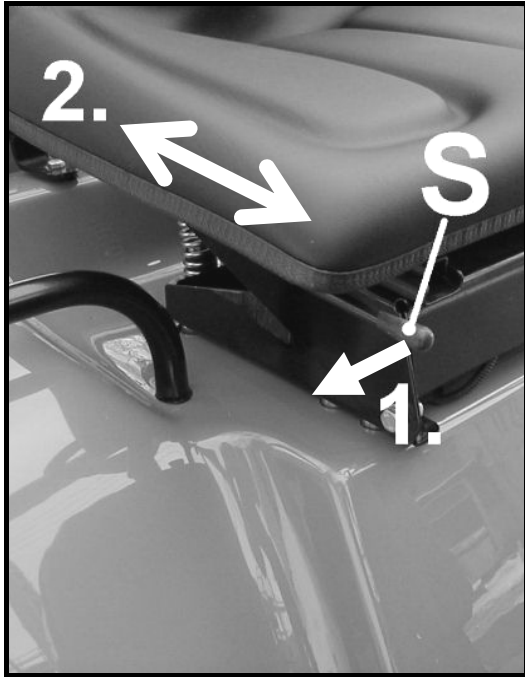


Fig.7a

### Activation



#### Important!

It is permitted to run the engine in the open air or a well ventilated room. Remember that exhaust gases from the engine are toxic.

Before the activation of the engine it is necessary to perform the following operation:

1. Brake pedal – **press into the braked position.**
2. Switch for activation of blade drives – **position OFF.**
3. Choke rod – **draw up outward = position START**  
Gas lever – **in position MIN.**
4. **During starting, take care to correctly insert the key to prevent its breaking!** Insert the key into the ignition box (Fig.8) and **turn it into position "1"** (the current circuit is activated)
5. **Turn the key into the START** position for starting the engine. After activation release the key. Insert the control lever of the choke into the initial position.

**In the case of activation with a warm engine it is not necessary to use the choke (START position).**

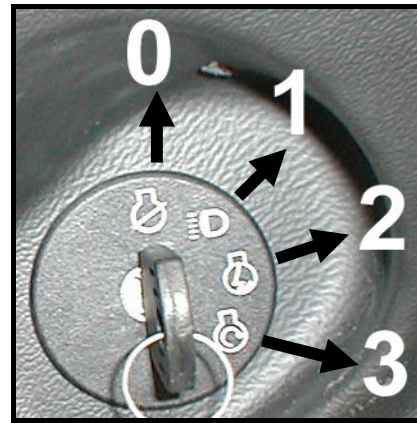


Fig.8

### Description of Fig. 8.

- "0" OFF
- "1" Lighting, running of engine
- "2" Running the engine, without lighting
- "3" Start engine

### Note

If during the starting of the engine there are any problems, do not start the engine because there could be discharging of the accumulator and overheating of the engine. Return the ignition key to the position "0", wait several seconds and then repeat the procedure. If it is not possible to start, read the instructions in the User Manual for using the engine.



#### Important!

If the accumulator is discharged do not use cables for starting, this could destroy the electrical installation! Disconnect the accumulator from the electrical installation of the cutter and charge it with the charging device.

After the termination of work it is necessary to regularly check the level of electrolyte and the status of charging of the accumulator, minimally 1 x in a month. If necessary charge the accumulator, otherwise there is the risk of damage. We recommend removing the accumulator from the machine and placing it on a dry, hot place.

It is necessary to make sure that the security measure does not prevent the starting of the engine, such as:

- the machine is not braked
- the drive of the cutting mechanism is ON

### Travel (Fig.3b, pos.3)

The travel of the machine is controlled by the travel pedal which is located on the right side of the platform. The fluency of the driving is controlled by the fluent control of pedal.

- front (wider) part of pedal - driving in forward direction
- rear part of the pedal – driving in backward direction



To stop the machine release the travel brake, press the brake and consequently always secure the machine with the parking brake against the unwanted travel of the machine.

Before driving release the parking brake.

#### 4.4 Cutting grass



**Attention!** Do not activate the cutting mechanism of the self-moving cutter in the lower position. Before activation lift the cutting mechanism minimally into the 3<sup>rd</sup> position of the lifting lever of the cutting mechanism, Fig.9; then lift the drive of the cutting mechanism or you can lower the cutting mechanism into the lowest position.

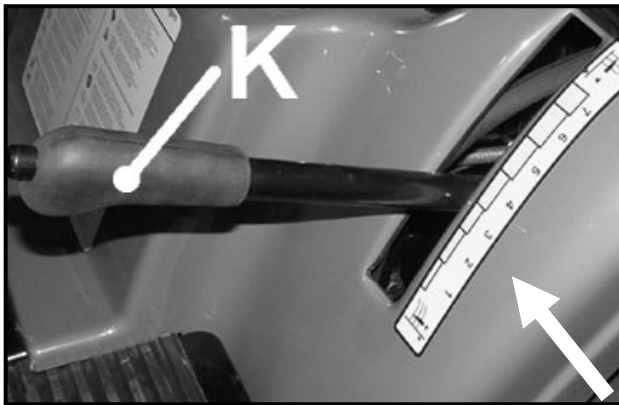


Fig.9



**The producer recommends keeping this setting!**

If you relocate the supporting wheels of the cutting mechanism into the upper position and the lever for the lifting of the cutting is in the 1<sup>st</sup> position, you will achieve the maximum cutting of the grass.

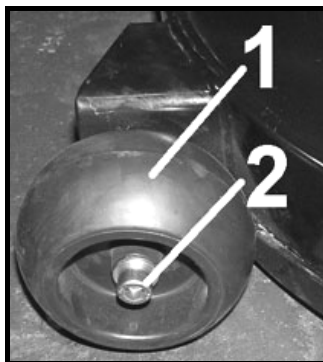


Fig.10

#### **Setting the height of the cut, Pic.9**

Setting the height of the cut is performed by the lever “K” (Fig.9) in seven possible positions. When changing positions in a downward direction it is necessary to release the arrester by pressing the button at the end of the lever.

#### **Activation of the driving of the cutting mechanism and the travel of the machine**

If the self-moving rotary cutter is on the grass which is to be cut, then it is necessary:

1. to set minimally the 3<sup>rd</sup> position of the lifting cutting mechanism
2. to activate the drive of the cutting mechanism by switching the switch on the panel of the machine
3. to set the required position of the lifting cutting mechanism
4. as described above in the “travel” chapter, fluently move the machine



**Important!**

**The machine is equipped with automatic checking of the contents of the bag.** (This means that when the bag is full there is the automatic disconnection of the electromagnetic clutch of the drive for the cutting mechanism). The automatic check is activated by the AUT-MAN switch (Fig.3c, position 13), switching to the AUT position. (When switching into the MAN position there is the disconnection of the automatic checking). **In the case of starting the drive of the cutting mechanism and following the filling of the bag, the drive of the cutting mechanism is automatically disconnected.** The filling of the storage tank is indicated by the signal lamp (Fig.3a, pos. 17). The activation of the drive of the cutting mechanism is possible after emptying the bag. (In the case of cutting in the MAN position, the bag is filled more than in the AUT position, however, the any further cut grass remains on the lawn. The use of the MAN position requires a skilful operator!)

Note: In practice, experienced employees use both positions. After automatic filling of the basket and disconnection of the cutting machine, they switch to manual control and the complete cutting of the estimated strip of the lawn during which the channel is not overfilled. This reduces the number of overflows of the tanks and driving to the place of emptying.



**Important!**

**To prevent the increased wearing of belts of the drive of the cutting mechanism, it is recommended to switch to the cutting mechanism with adjusted gas lever in the central position.**

To ensure the correct output and the proportional cut, it is necessary to select the travel speed according to the status of the cut grass (height and density) and the moisture of the lawn. In the case of the decrease of the speed of the engine, it is recommended to decrease the travel speed and it is necessary to take into consideration that good cutting of the lawn is not achieved if the speed of the travel is too high. Always, when it is necessary to overcome an obstacle, it is necessary to disconnect the drive of the cutting mechanism and to lift the cutting mechanism into the highest position.



### Important!

In the case of the contact of the blades of the cutting machine with stones or other items, it is necessary to immediately disconnect the drive of the cutting machine, disconnect the ignition and remove the key. Check whether the blades of the cutting machines are not damaged; also check the status of the fixation bolts of the blades or other parts of the cutting machine. In the case of damage, it is necessary to remove the defects by replacing the defective part with an original part! Perform the inspection of the cutting mechanism regularly after each cutting!



### Important!

After termination of each cutting it is necessary to check the fabric of the bag for grass to see whether it was damaged during the cutting. If the fabric of the bag is damaged or worn, it is necessary to replace it with new fabric!

### Supporting wheel, Fig.10

The supporting wheel (1) at the lowest position of the cutting mechanism ensures the space between the soil and the edge of the cutting mechanism. In this manner it is possible to prevent damage to the lawn. If a change in the position of wheel is required, it is necessary to release the securing counter-nut of the Allen head screw (2) – of the axis of the wheel and to relocate the bolt with the wheel into the other hole of the holder. It is necessary to perform this operation in the same manner for all 4 wheels **when the engine of the drive of the cutting mechanism is disconnected. The producer recommends keeping the setting from the production!**

### Cutting of the lawn with the self-moving rotary cutter

1. The longitudinal cutting in combination with the cross cutting contributes to the achievement of a better appearance of the lawn.
2. In the case of blocking the transport channel it is recommended to decrease the speed of the travel because it may be too high due to the status of the lawn. If this problem is not resolved, the reason will be incorrectly sharpened blades, a deformed profile of the cutting nose or the sealed and air tight fabrics of the bag.
3. If the grass is too high, it is recommended to cut it in two phases. First of all, with the cutting mechanism at the maximum height or the lower speed, then at the required level.
4. It is necessary to pay special attention to cutting near brushes and kerbs. As a consequence of the contact with the obstacle, the distance between the blades can change as well as the sides of the body of the cutting mechanism and the height of the cutting may change.

### Slopes

Do not use the self-moving rotary cutter for work on slopes with an inclination higher than 10° (17%). In the case of a change of the direction, it is necessary to pay increased attention. It is necessary to take care of the fact that the wheels must not be in contact with obstacles (stones, branches, roots, etc.) which could result in the overturning and loss of control of the machine. During working on the slope, use only the lower travel speed.

**After stopping the machine on the slope, always secure it with the parking brake!**

### Emptying the bag

Never leave the bag until it is full in order to prevent blocking of the throwing piping.

During the emptying of the tank:

1. disconnect the drive of the cutting mechanism using the switch on the panel
2. decrease the revolutions of the engine
3. empty the bag

To control the movement of the grass bag, it is possible to use the switch (Fig.3c, pos.12). The bag is tilted by pressing on the lower part of the switch; by pressing on the upper part of the switch the bag returns to the initial, closed position.

**Tilt the bag only when the engine is running and the drive of the cutting mechanism is disconnected!**

### Disconnection of the grass bag

The disconnection is performed according to Fig. 2b, 2a. Remove the flexible pin and draw out the fork of the lifting mechanism from the cup of the bag. Catch the grass bag at the handles and draw out the guiding of the grass bag from the guiding of the self-moving rotary cutter.

The disconnection or connection of the grass bag is performed only when the drive of the cutting mechanism is disconnected!

### Safety system

The safe work of the self-moving rotary cutter is ensured by the system with three protective switches.

The switches are controlled by:

- brake pedal
- seat
- bag or cover against stones

The engine can only be run only when:

- the machine is braked
- the drive of the cutting mechanism is OFF

When the engine is started it is possible to release the brake only in the case that the operator is sat on the seat. Otherwise, the engine is stopped. In the case of the fulfilled conditions for the operation of the engine, it is possible to activate the drive of the cutting mechanism only in the case that the bag or the cover against stones is attached.

### Switching the lights on

According to Fig.8 and the description in Fig.8.





**Important!**

**For the protection of electrical installation:**

1. prevent the replacement of the polarity!
2. do not activate the self-moving rotary cutter without the accumulator!
3. do not use starting cables to start the machine!

**Termination of work**

After termination of the cutting, it is necessary to disconnect the drive of the cutting mechanism and to lift the cutting mechanism to the highest possible position. Brake the self-moving rotary cutter and secure it with the parking brake, disconnect the engine, put the ignition key to the "0" position. Before the disconnection of the engine, leave the gas lever for about 20 seconds in the position for minimum revolutions on order to prevent back shock.



**Important!**

Always remove the ignition key when the machine is unattended.

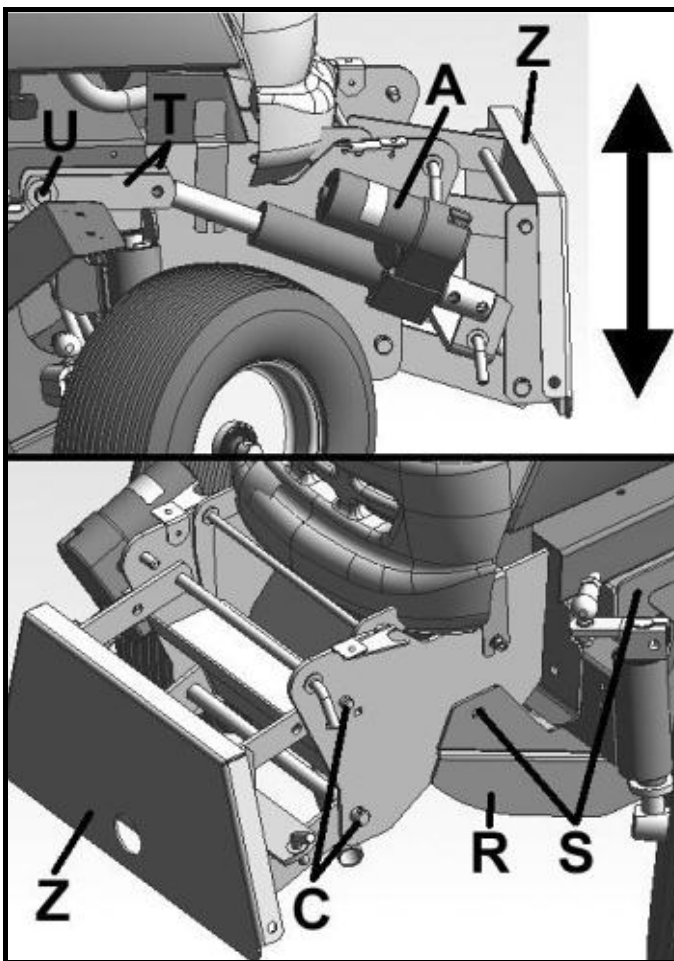


Fig.11a

**Front suspending equipment**

Upon request it is possible to deliver the front suspending equipment (Fig.11a), which by using makes it possible to

connect a rotary sweeping brush, a rotary snow plough or a plough iron.

The suspending equipment in pos. "Z" Fig.11a is mounted on the self-moving rotary cutter by means of 2 pins, pos. "C" and 4 clips. The actuator of the lifting "A" is mounted on point "U" directly on the pin welded onto the frame by means of the 2 draw bars of hinge "T". The front suspending equipment includes the hinge of the plough iron "R" which is attached by 4 bolts, position "S". The actuator for the lifting of the front hinge is controlled by the switch according to Fig.3c, pos.19.

Instead of the front suspending equipment it is possible to connect to the front part of the self-moving rotary cutter, bolster "N" according to Fig.11b. The bolster is attached by 4 bolts in points "X".

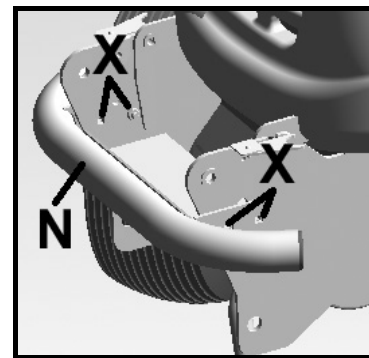


Fig.11b

**Rear suspending equipment – Fig.11c**

Using the rear suspending equipment it is possible to connect a semi-trailer or other hitching tools.

The hitching equipment (1) is mounted on the rear plate of the machine by means of 4 bolts. Using the pin (2), the eye of the semi-trailer is connected to the equipment and is secured with the safety arrester (3).

**During the aggregation with the semi-trailer, the blades must be disconnected in order to prevent the disconnection of the engine due to the fact that the grass storage bin or the cover against stones is not connected.**

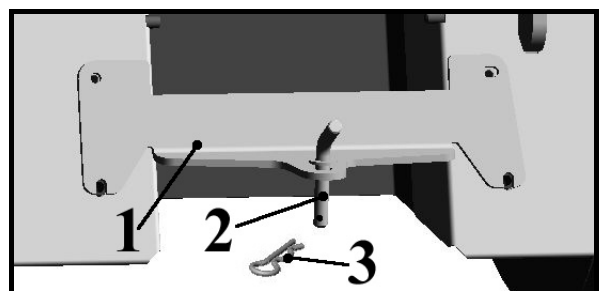
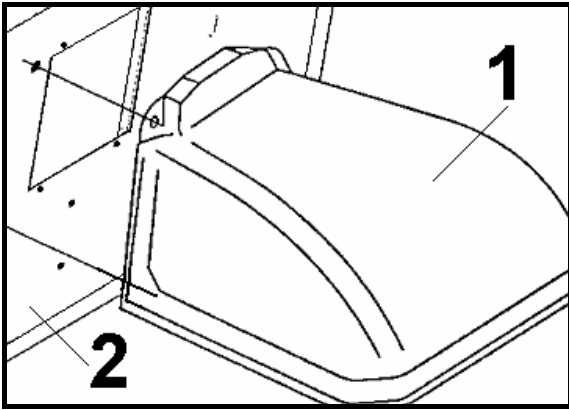


Fig.11c

**Cover against stones DKK-572**

The cover against stones (1) enables to cut grass using the cutter without the need of the bag. It directs the stream of grass and as a safety element it prevents the flying of stones or other solid pieces.





#### **4.5 Motor hours counter / speed counter – Motor Monitor PT 14 (Fig.11e)**



Fig.11e

The engine monitor is an independent LCD counter for motor-hours, a speed indicator and a measuring gauge for maintenance. Energy is supplied from a lithium battery. The conductor around the sparking plug ensures both functions; the signal of the counter for the revolutions, as well as an indicator that the engine is running. For maintenance, this counter is used in such a manner that the maintenance interval is set and at the moment of expiration the counter reports the requirement for the maintenance of the engine. Before setting the counter each time, make sure that the engine is disconnected. If it is necessary to unwind the black conductor from the cable of the spark plug, for re-winding it is necessary to perform only 3 ÷ 4 turns (otherwise the counter will not show the correct values of the revolutions within the whole range of the revolutions of the engine).

##### **1. Setting the reading of the signal from the spark plug**

Press and hold button S1 for 4 seconds. LCD displays 01 (the spark plug is activated twice per revolution), 02 (once per revolution), 03 (each further revolution), 04 (displays only hours not revolutions). As soon as you find the required diagram, release button S1. The LCD will flash 8-10s and return to the overall regime of the counter. Pre-setting of the standard counter is 02 (once per revolution). This pre-setting can be changed during production.

##### **2. Setting the timer for maintenance**

Press and hold button S2 for 4 seconds. The number which is in the correct position will start to flash and the **SERVICE** icon will be displayed. By pressing and holding button S1 the number will start to change. As soon as you achieve the required number, release button S1 and press button S2 for 1 second, it will switch to the setting the next number. Repeat the above-mentioned steps for as long as you set the service interval. After 14-16 seconds without pressing buttons the counter will return to the basic regime.

##### **3. Activation of the maintenance timer**

Press and hold for 4 seconds, buttons S1 and S2 at the same time. Two numbers will be displayed for 20 seconds and then the counter will return to the basic regime. If the engine is in operation and the time for the maintenance achieved 0, the service icon will appear.

##### **4. Checking the interval for maintenance**

Press and hold for 4 seconds, button S2 for as long as the remaining time of your interval appears. If you want to set a new interval, repeat steps 4 and 5. Each time you want to see the remaining time from the set interval, press and hold button S2.

##### **5. Deletion of the maintenance icon**

Press and hold buttons S1 and S2. The service icon will be disconnected. The time for the maintenance will automatically return to the number which was previously pre-programmed.

##### **6. Display only hours**

Press and hold button S1 for as long as 04 is displayed. Release the button and the display will return to the overall hours after 8-10 seconds. If the engine is in operation, the display shows only hours, it will not display the revolutions and the hour icon will flash.

##### **7. Resetting the total hours and the timer for the maintenance**

Press and hold button S1 for as long as 05 is displayed. Release the button and the display will return to total hours after 8 seconds. Press and hold for 20 seconds, buttons S1 and S2 at the same time, the counter will be completely reset. The complete reset function may be excluded during production.

#### **4.6 Cleaning and storage**

After each use it is necessary to clean the self-moving rotary cutter from the outside, to empty the bag and to shake it to remove the remainders of grass and earth.

##### **Washing – Fig.12**

Washing is to be performed on a firm base with the bag attached. Washing the inside parts of the cutter and the throwing mechanism is to be performed with the disconnected drive of the cutting mechanism with a stream of water lasting several minutes or with the activated drive of the cutting mechanism and the connection of the pressured water gradually to both connections of the 3/4" neck located on the shell of the cutting mechanism. Then disconnect the drive of the cutting mechanism, stop the machine, remove the bag,

empty, wash and attach it again on order to be dried very quickly. If there are any reminders of grass on the walls of the bag, it is necessary to clean it so that the material can breathe. **Wash the plastic parts of the body with water and a sponge dipped in washing detergent and pay attention so that the engine and parts of the electrical installation are not in contact with water.**

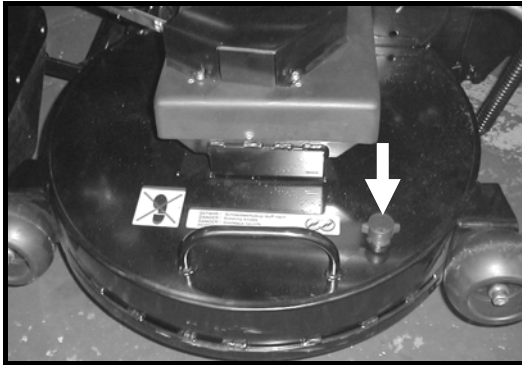


Fig.12

**Never use a high-pressure cleaner or aggressive detergent for washing the body, engine and electric actuator.**



**If these principles are not complied with, there is the risk of the expiration of the warranty.**

### Storage and not using the machine for long periods

Store the self-moving rotary cutter in a dry place protected against atmospheric influences and cover it, if possible. If the machine will not be used for a long time (longer than one month) it is necessary to disconnect the red cable from the accumulator and follow the instructions in the Manual for the engine). Emptying the fuel tank

**Regularly check that the voltage in the accumulator has not decreased below 12V. Charge it, if necessary**

## 5. Maintenance



### Important!

**With respect to the protection of the environment, take care to prevent the escape of oil, fuel or other harmful substances.**

**All repairs, maintenance and treatment of the machine is to be performed when the engine is not active when the ignition key is removed.**

### Front axle - Fig.13

After five hours of operation, tighten the bolt (1) on the arm of the left vertical pin. The bolts (2) serve for setting the clearance of the front axle in the frame.

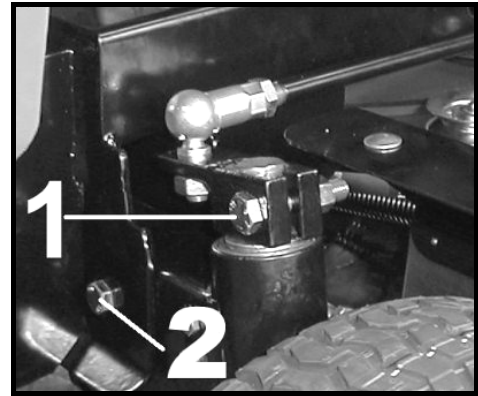


Fig.13

### Gearing – Fig.14

After 5 hours of operation of the machine, adjust the free gearing by turning the accessible pin downward from the machine. Using the pin (1) it is possible to turn after loosening the two nuts (2). After setting the clearance of the nut, fully tighten.

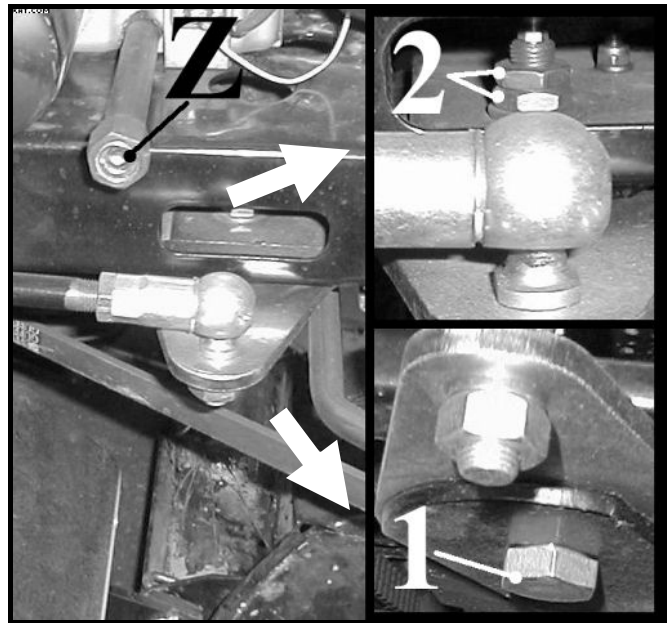


Fig.14

### Engine

Proceed according to the instructions of the Service and Maintenance Manual (air cleaner, fuel cleaner, replacement of oil, cleaning of ignition sparks, etc.).

The engine oil is discharged into the prepared vessel by unscrewing cap “Z” on the discharging hole Pic.14. **During the replacement or discharging of oil always hold the neck of the discharging tube with an hexagonal wrench, so as not to loosen the tube when removing the cap!** Otherwise there is the risk of the unwanted escape of oil!

### Electromagnetic clutch – Fig.15

The clearance between the rotor and the body of the electromagnetic clutch must be within the range 0.35-0.5 mm (the higher value is for summer operation). The adjustment is performed by tightening (loosening) the 3 bolts position 1 Fig.15.

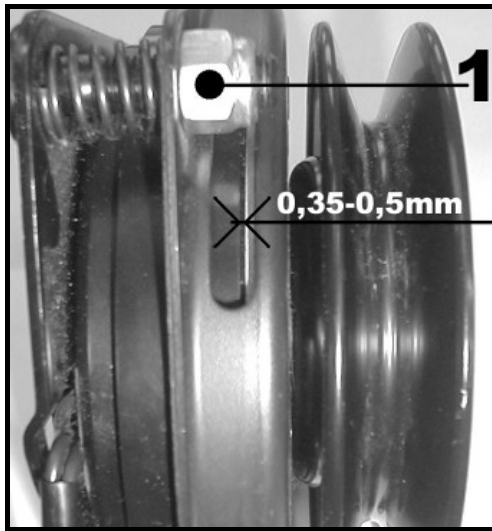


Fig.15

**Adjustment of the belt for the pump drive- Fig.15a, 15b**

Tightening of the belt for the pump drive is performed by the shift of the complete pump (position “1”) in the grooves of the pump consoles.

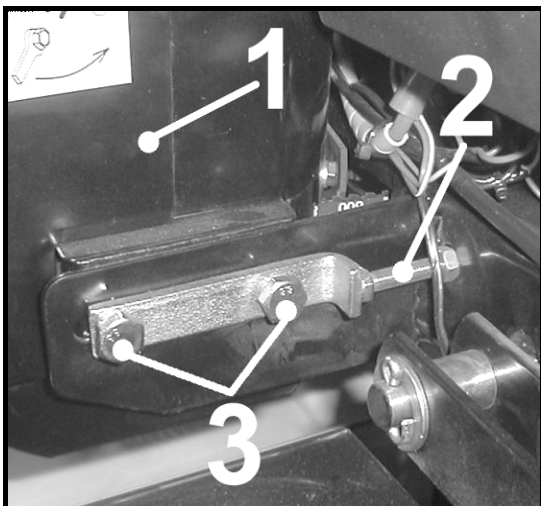


Fig.15a

**Procedure:**

1. Loosen 4 securing bolts of the pump (position “3”) so the pump can freely move at the ends.
2. By symmetric pushing of the pump from the frame by means of two pressing bolts (position “2”), tighten the belt. Proceed **according to Fig.15b and the Table**. (Note: A low tightening force may cause skipping of the belt pulley teeth in the case of large loads)
3. In the correct position, 4 securing bolts of the pump are tightened.
- 4.

CHECKING THE CORRECT TIGHTENING OF THE BELT		
Deflection force for 10 mm bend – see Fig.15b	New belt	Work belt
	185 – 203 N	129 – 148 N

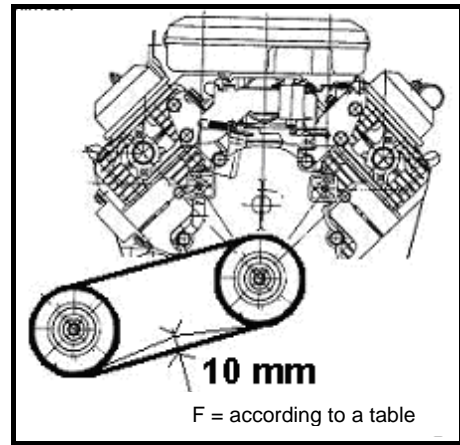


Fig.15b

**Adjustment of brakes– Fig.15c**

1. Adjustment of air brake valve

The adjustment of the brake valve is based on the adjustment of the clearance between the brake plates and the disk of the brake. It is adjusted with the released terminal of the draw bar of the brake when the joining spring does not produce any force on the level of the air brake valve. The clearance is decreased by screwing the pocket of the axis into the body of the air brake valve. (On the contrary, during the unscrewing it is increased). The correct clearance is achieved at the angle of the deviation of the lever of the air brake valve from the neutral position to the contact of the brake plates on the disk within the range 15-20°.

2. Adjustment of the draw bar of the brake:

After the adjustment of the air brake valve, there is the adjustment of the draw bar of the brake by the relocation of the terminal on the draw bar and its securing by the nuts in such a position where the join spring is tensioned and slightly “wheezes” in the holes of the lever and the converter.

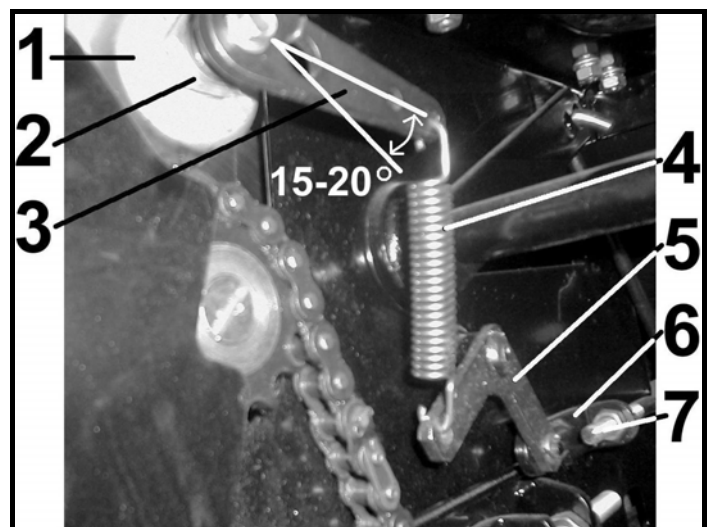


Fig.15c



**Description of Fig. 15c**

1. Air brake valve
2. Pocket of the axis with hexagon
3. Air brake valve lever
4. Joining spring
5. Converter
6. Terminal
7. Draw bar of the brake

**Adjustment of the neutral position of the pump lever – Fig. 15d**

The neutral position of the pump lever is adjusted by the change of the length of the draw bar by turning ball pin "K". After the adjustment, it is necessary to secure the pin in the correct position with the counter-nut.

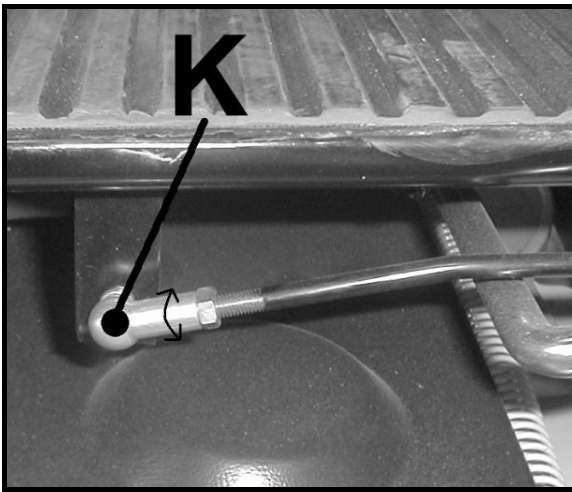


Fig.15d

**Replacement of lamps**

Lamps are located in the sleeve with bayonet fastening which can be removed by turning.

**Replacement of the fuse**

The electronics and the electrical installation are protected by a 10A fuse. For locating and removing the failure it is necessary to replace the damaged fuse with a new fuse with the same current value. For the heating of the bag and the lifting of the front hinge, there is a 10A fuse. The fuses are located in the pocket located under the panel on the side of the accumulator cover. Never use fuses with another value of the current. If after the replacement of the fuse, the self-moving cutter does not function, it is necessary to contact an authorized service.

**Replacement of wheels**

Disconnect the self-moving rotary cutter under the load-bearing part of the chassis on the part of replacement of the wheel. The front and rear wheels are secured by the pad and the pin. During assembly it is necessary to open the pin for the correct placement of the cover of the axis end. The rear wheels are mounted directly on the semi-axes of the differential equipped with a plain key. When attaching the wheels it is necessary to lubricate the axes with grease. In the case of the replacement of one or both rear wheels it is necessary to take care to keep the same diameter of the wheels or to check the adjustment of the cutting mechanism.

**Repair of tyres**

The self-moving rotary cutter is equipped with tubeless tyres. The repair of these tyres must be performed by a professional service.

**Removing of the transport channel**

Before the removing of the transport channel it is necessary to disconnect the electric conductors on the sensor for the filling of the bag. The disconnecting connector is located near the sensor in the front upper part of the transport channel. By lifting the front part of the channel, the leading locks are released and it is possible to shift the transport channel in a backward direction. Re-assembly is performed by following the opposite procedure. (Note: To draw out the channel, the cutting mechanism must be slightly lifted).

**Sensor for filling the bag**

In the front upper part of the transport channel, it is necessary to clean the free capacity of the sensor membrane from the remainders of grass (Fig.15e) – the best is after each cutting!

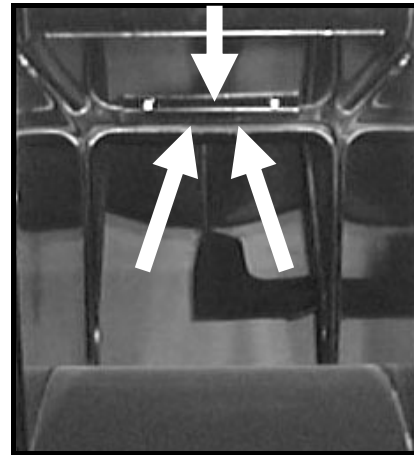


Fig.15e

**Notification!**

**The function for the automatic checking of the filling of the bag depends on the composition of the cut grass! For example, in the case of cutting dense wet spring grass it is possible to disconnect the drive of the cutting equipment in the case that half the bag is filled. On the other hand, when cutting autumn dry grass the grass bag can be filled to the maximum possible volume.**

**Dismantling of the cutting mechanism**

When dismantling the cutting mechanism it is necessary to:

1. remove the transport channel
2. readjust the cutting mechanism to the lower position
3. disconnect the belt of the drive of the cutting mechanism
4. lift the cutting mechanism into the position "2-3"
5. disconnect the front hinge pins
6. insert into the hubs of the rear hinges the auxiliary bar with the diameter of 12 – 15 mm, length 300 mm, by means of which it is possible to lighten the draw of the hinge arm. Draw out the pin to disconnect the



hinge arm from the cutting mechanism and release the draw of the arm. Draw the cutting mechanism to the left or right side. The assembly is performed in the opposite procedure.

### Adjustment of the height of the cutting mechanism

When adjusting the cutting mechanism it is necessary to:

1. place the self-moving rotary cutter on a plain area
2. set the cutting mechanism to the lower position
3. loosen the arresting bolts of the draw bars of the front hinge of the cutting mechanism
4. set the cutting mechanism into the required position
5. tighten the bolts of the draw bars of the front hinge

### Replacement of driving belts

The power from the engine to the cutting mechanism is transferred by means of the V-belt and the belt with double-sided teeth. The driving belts must be replaced as soon as they start to show symptoms of wear. **Use only original belts!**

### Adjustment of the driving belt Engine – cutting mechanism

The belt is permanently fastened with a spring-biased pulley and, therefore, no additional adjustment or tensioning is necessary.

### Adjustment of the driving belt for blade drives, Fig.16

The tensioning of this belt is performed by the adjustment of the nut (1) after the loosening of the bolt of the pulley (2) on the lower side of the board (3).

A correctly tightened belt has a bend of 14 mm (in the middle of the distance between the toothed belt pulley) with the loading 65 N. After the tightening of the belt, tighten the pulley bolt (2). After tightening, check the value of the tightening of the belt.

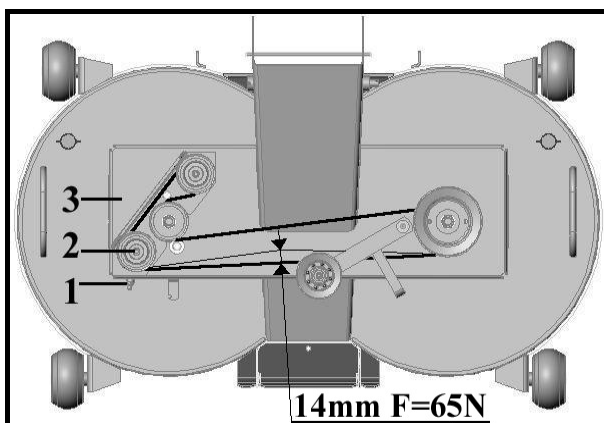


Fig.16

### Method of measurement and TENSION

#### TESTER No. 7401-0076 (possible to deliver on an order basis)

Place the measuring preparation on the cover Fig.17 so that the measuring device is in contact with the toothed belt – without pressure. Shift the O ring up to the cover. Re-adjust the smaller O-ring to the beginning of the power scale, Fig.17. Re-adjust the greater O-ring to the required value by 14 mm, Fig. 18.

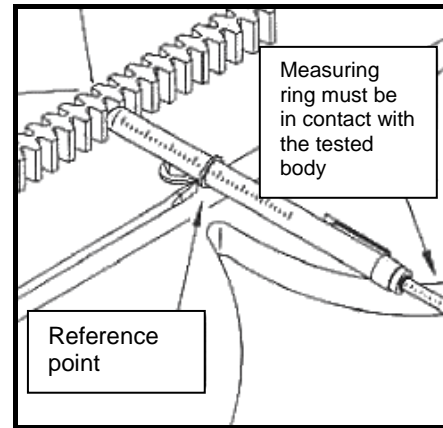


Fig.17

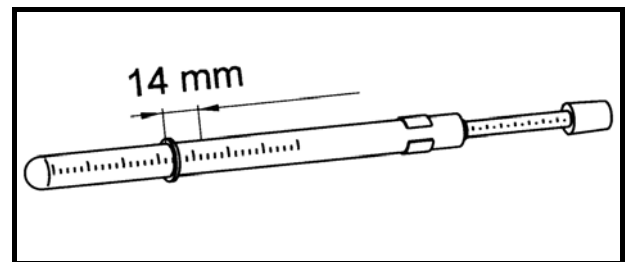


Fig.18

Catch the measuring instrument at the handle (read handle) and press against the toothed belt for as long as the O-ring is in contact with the wall of the cover Fig.19 and 20. Remove the measuring instrument and ascertain to which value the O-ring was shifted on the scale in N (v kg). In the case of the correct tightening of the toothed belt on measuring route 14 mm, you will achieve loading of 65 N (6.5 kg).

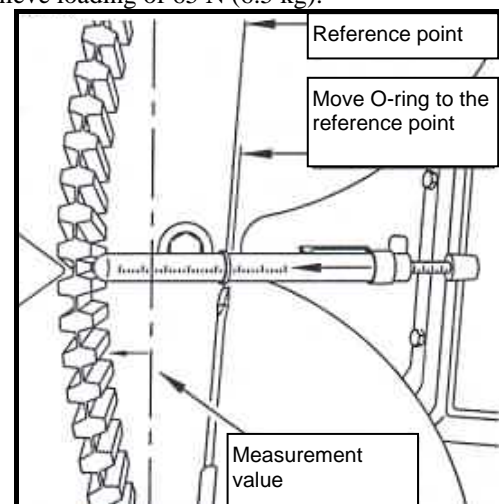


Fig.19

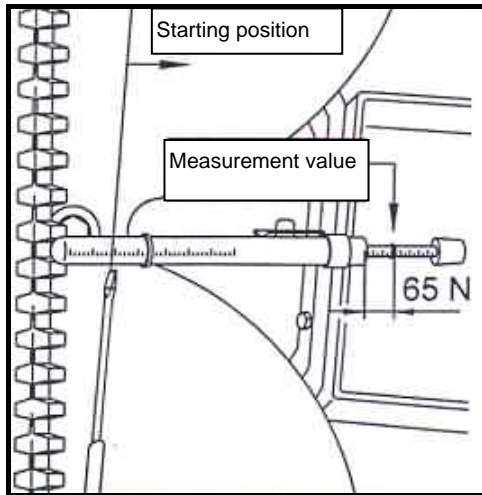


Fig.20

### Sharpening of blades

An unsharpened blade tears the grass, decreases the filling of the bag and causes yellowing of the lawn which makes the lawn unattractive. The blades must be sharpened on both cutting edges. In the case of dismantling the blades it is necessary to use working gloves; firmly grip the blade and unscrew centric bolts M12 (position 1) Fig.22 and cutting bolts M5 (position 2). It is necessary to sharpen both cutting edges with a grinding stone with medium graining and to check the balancing of the blade so that the round bar is inserted in to the central hole (Fig. 23) and balances the blade.

During assembly, take care that the buckling of the blades was directed inside the shell of the cutting mechanism. Secure centric blades M12 against self-loosening with the seal, LOXEAL 55-03. Tighten bolts with a torque wrench, pos. 1 to torque moment 80 Nm. Always, before re-mounting the blades check the status of the shear bolts, pos. 2. **Damaged shear bolts (size M5-5S-unstrengthened) must be replaced with new bolts (original)!**

**Damaged or bent blades must be replaced, do not try to repair them! Always use the original brand of blades!**

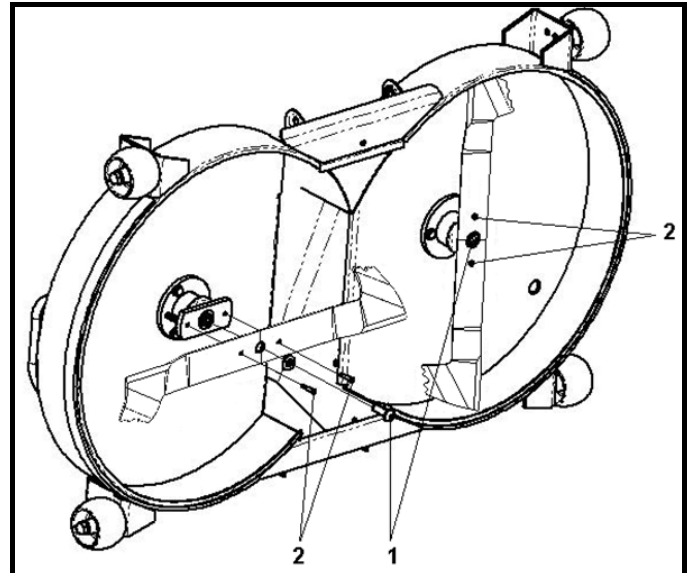


Fig.22

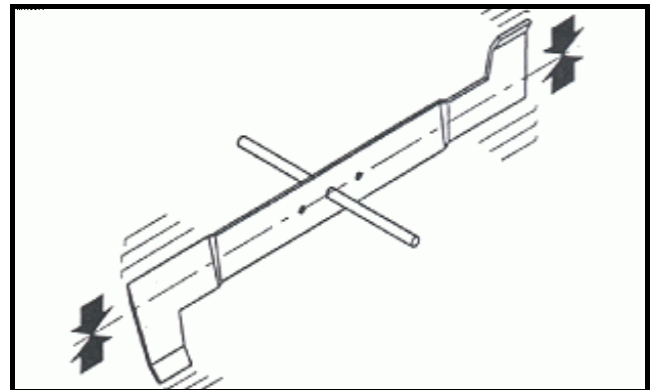


Fig.23



### ATTENTION!

Blades are placed facing each other at an angle of 90° and turn in the opposite direction. During mounting it is necessary to keep to the following mutual position.

## Maintenance plan

### SELF-MOVING ROTARY CUTTER

Working action	Before commissioning (new cutter)	After the first 10 hours	After the first 50 hours	Monthly inspection	After each 50 hours	After each 100 hours	After each season	After 500 hours or after 1 year
- checking the tightening of the belts		•		•	•	•	•	
- checking the angular joints and adjustment of the clearance for control		•			•	•	•	
- checking the function of the brake and adjustment		•			•	•	•	
- checking the inflation of the tyres	•	•		•	•	•	•	
- checking the adjustment of the travel (neutral position)		•			•	•	•	
- checking the oil level of the hydraulic system (SAE 15 W 50, super mogul oil)	•			•	•	•	•	
- replacement of oil in the hydraulic system			•					•
- replacement of the insert of the oil cleaner in the hydraulic system			•					•
- checking the vertical pins of the rear axle				•	•	•	•	
- checking the function of drivers, safety switches, fuses and lights		•			•	•	•	
- lubrication of pinion and control segment (including bearings)				•	•	•	•	
- lubrication of angular joints and lifting pockets					•	•	•	
- checking the status of the accumulator	•			•	•	•	•	
- checking the mounting of the wheel	•			•	•	•	•	
- lubrication of the bowden of the gas control and starter				•	•	•	•	

### ENGINE

Working action	Before commissioning (new cutter)	After the first 5 hours	After the first 10 hours	Weekly checking	Monthly inspection	After each 50 hours	After each 100 hours	After each 200 hours	After each season
- checking the volume of engine oil - mogul super 15W50 (Mogul super M8AD)	•	•	•	•	•	•	•		•
- replacement of engine oil			•				•		
- replacement of oil filter			•					•	
- cleaning of engine air filter		•				•	•		•
- checking fuel system (tightness, wearing)		•				•	•		•
- replacement of fuel filter						•	•		•
- replacement of ignition plugs							•		
- replacement of air filter									•

## CUTTING MECHANISM

Working action	After each cutting	After the first 5 hours	Weekly checking	Monthly inspection	After each 50 hours	After each 100 hours	After each season
- checking the sharpening and tightening of blades		•	•	•	•	•	•
- checking the tightening of the toothed belts		•		•	•	•	•
- lubrication of bearings for the clamping of blades				•	•	•	•
- checking the tightening and adjustment of the electromagnetic clutch		•		•	•	•	•
- checking for any possible damage of the cutting mechanism	•						

## REAR AXLE

Working action	Before commissioning (new cutter)	After the first 5 hours	Weekly checking	Monthly inspection	After each 50 hours	After each 100 hours	After 500 hours of operation
- replacement of oil (oil PP 90)							•
- checking the status of the driving chain						•	
- replacement of the driving chain							• *

\* In the case of work on a hilly terrain after each 400 hours of operation.

## TRANSPORT CHANNEL AND BAG

Working action	After each cutting	After the first 5 hours	Weekly checking	Monthly inspection	After each 50 hours	After each 100 hours	After each season
- checking the function of the automatic system for the disconnection of the cutting mechanism (cleaning of the channel)				•	•	•	•
- cleaning of the bag fabric		•	•	•	•	•	•
- checking damage to the bag fabric	•						
- lubrication of the rotary points of the bag				•	•	•	•
- checking the function of the electric engine for lifting (only for electric lifting)				•	•	•	•



## 6. Lubrication plan – Fig.25

Position	Lubrication point	Grease	Time interval for lubrication	Number of lubrication points
1.	Control joints	Oil SAE 30	1 x in 6 months	4
2.	Centric pin for front axle	Oil SAE 30	1 x in a year	2
3.	Pinion and control segment	Lubrication grease	1 x in a month	-
4.	Placement of brake pedal and travel pedal	Oil SAE 30	1 x in a month	4
5.	Arresting segment of parking brake	Lubrication grease	1 x in a month	-
6.	Wire for the control of gas and the starter	Oil SAE 30	1 x in a month	1
7.	Hinge joints for the cutting mechanism	Oil SAE 30	1 x in a month	-
8.	Rotary plate for the level of lifting of the cutting mechanism	Oil SAE 30	1 x in 6 months	4
9.	Arresting segment of the level of the cutting mechanism	Lubrication grease	1 x in 6 months	-
10.	Placement of the draw bar for tilting of the bag	Oil SAE 30	1 x in a month	1
11.	Chain gear	Oil WD-40	1 x in a month	1
12.	Pins in the draw bars of the brake system, including the brake axis	Lubrication grease	1 x in 6 months	5
13.	Rear axle gearbox	PP90	1 x in a month	1
14.	Joint and pin for travel control	Lubrication grease	1 x in a month	2
15.	Front hinge pins	Oil SAE 30	1 x in a month	8

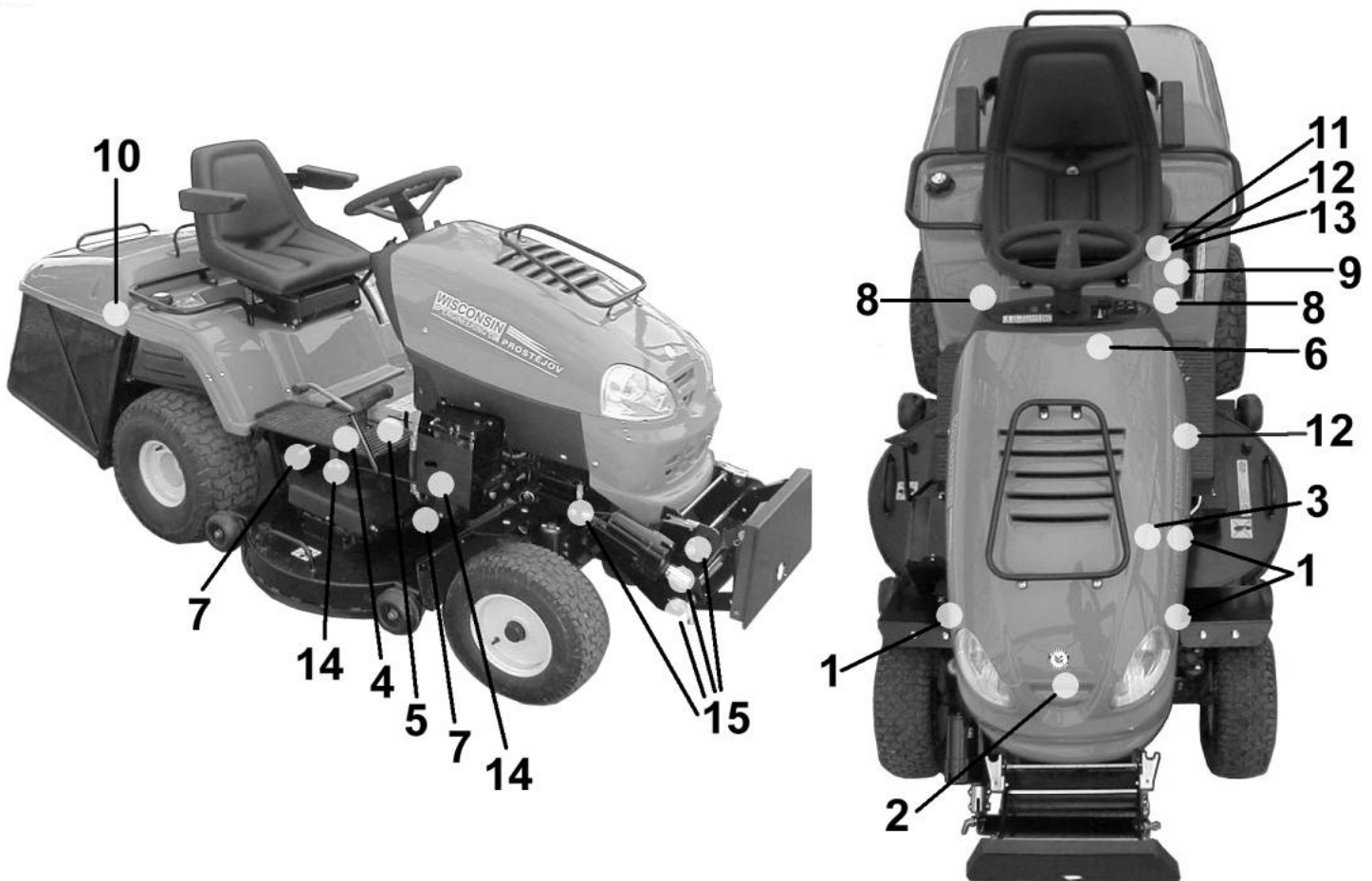


Fig.25

## **7. Basic specification and technical data for self-moving rotary cutters from the W3532 series**

### **W3532**

#### **Engine**

Producer	KOHLER COMMAND
Output	22 HP
Alternator	12V/15A

#### **Cutting mechanism**

Cut	1,220 mm
Number of blades	2
Manner of turning	contra-rotating
Height of cutting	30 ÷ 120 mm
Disconnection of the drive	electromagnetic clutch with brake
Collection of grass	rear throwing, grass bag in the rear part of the machine

#### **Grass bag**

Volume of the bag	460 l
Manner of emptying	electric

#### **Gear mechanism**

- hydrostatic, independent regulated piston hydro generator (for engine) + robust rear axle with piston hydro-engine
- volume of hydraulic tank 7L.

#### **Maximum travel speed**

forwards	13 km.h <sup>-1</sup>
backward	5 km.h <sup>-1</sup>

#### **Tyres**

Front	16 x 6.5 – 8
Rear	20 x 10.00 – 8

#### **Dimensions**

Length with bag + front hinge	2,820 mm
Width	1,265 mm
Height	1,280 mm
wheel base	1,280 mm
wheel track	1,030 mm

#### **Weight**

435 kg

#### **Fuel tank**

Volume of fuel tank	11 l
---------------------	------

## 8. Electrical connection diagram – Fig.26

### Colour distinguishing of conductors

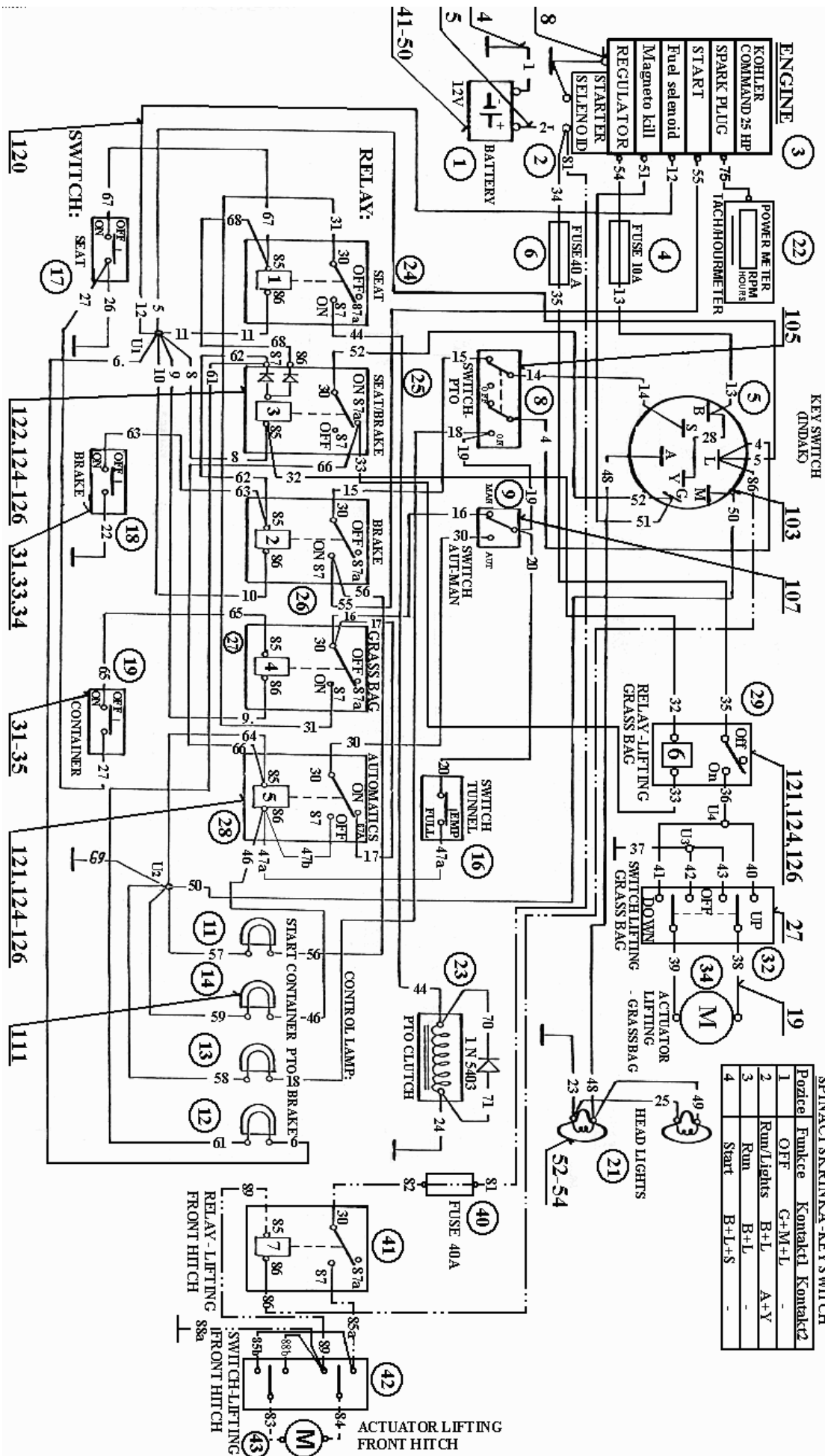
Conductor No. colour	Conductor No. colour	Conductor No. colour	Conductor No. colour	Conductor No. colour
1 brown	19 white	37 brown	55 blue	82 red
2 red	20 white	38 red	56 blue	83 yellow
3 black	21 brown	39 black	57 brown	84 green
4 black	22 brown	40 blue	58 brown	85 red
5 black	23 brown	41 blue	59 brown	86 black
6 black	24 brown	42 brown	60 brown	88 brown
7 black	25 brown	43 brown	61 green	89 brown
9 black	26 brown	44 blue	62 green	
9 black	27 brown	45 yellow	63 green	
10 black	28 red	46 yellow	64 brown	
11 black	29 green	47 yellow	65 purple	
12 black	30 purple	48 red-black	66 brown	
13 red	31 white	49 red-black	67 grey	
14 orange	32 black	50 brown	68 grey	
15 violet	33 brown	51 white	69 brown	
16 blue	34 red-white	52 white	70 blue	
17 blue	35 red-white	53 red	71 brown	
18 white	36 blue	54 red	81 red	

### List of devices

1. Accumulator 12 V	21. Front lights
2. Starting solenoid	22. Counter for motor hours / revolution meter
3. Engine	23. Electromagnetic clutch
4. Fuse 10 A	24. Auxiliary relay seat
5. Switching box	25. Auxiliary relay seat + brake
6. Fuse 40 A	26. Auxiliary relay manual + brake
8. switch cutter - start	27. Auxiliary relay bag
9. Switch AUT – MAN	28. Auxiliary relay automatic system
11. Check lamp - START	29. Auxiliary relay for tilting of the bag
12. Check lamp manual brake	32. Switch for tilting of the bag
13. Check lamp cutter	34. Accumulator for heating of the bag
14. Check lamp for blocking the bag	40. Fuse 40A
16. Micro switch for filling the bag	41. Auxiliary relay – front hinge
17. Seat switch	42. Switch for lifting the front hinge
18. Switch manual brake	43. Actuator for lifting the front hinge
19. Switch for bag hinge	

Note: Indication of devices in the diagram (Fig.26) -





**SPINACI SKRINKA - KEY SWITCH**

Pozice	Funkce	Kontakt1	Kontakt2
1	OFF	G+M+L	-
2	Run/Lights	B+L	A+Y
3	Run	B+L	-
4	Start	B+L+S	-

Obr.26



## **9. Maintenance of accumulator**

### Safety precautions during use and installation

A 12V car filling accumulator is used. The electrolyte is completed in the production plant and is charged to the required capacity of 32Ah.



**The filling and adding of electrolyte must be performed by professional service.**

**ATTENTION!**

### **Important:**

After termination of the work it is necessary to regularly check the level of electrolyte and the status of the charging of the accumulator, minimally 1 x in a month.

**If it is necessary (difficulty in starting, decrease of intensity of lighting, etc.) to charge the accumulator, there is a risk of its damage.**

After termination of seasonal work we recommend removing the accumulator from the machine and to place it in a dry warm place.

### **Charging of accumulator**

Before charging, dismantle the filling cap and check the level of electrolyte. If you ascertain a small decrease in the level of electrolyte, it is necessary to add **distilled water** up to the "UPPER LEVEL".



**In the case of a large decrease in the level, contact a professional service.**

Charge the accumulator by the maximum current 3A. Charge until the accumulator starts to boil and the specific density of electrolyte exceeds 1.27.

### **Installation**

Fix the accumulator firmly into the machine. Make sure that the positive and negative poles of the accumulator are connected correctly.

### **Maintenance of accumulator**

1. Once a month check the level of electrolyte.
2. Use distilled water for renewing the level. Never use electrolyte for increase the level.
3. Always keep the accumulator clean.

## **10. Values of noise emissions and vibrations**

	<b>W3532</b>
Engine	Kohler Command 22 HP
Level of acoustic pressure in the place of operator dB (A)	87,2
Guaranteed level of acoustic output dB (A)	103
Weighted effective value of acceleration – seat (vertical vibration) m.sec <sup>-2</sup>	1.0 m.s <sup>-2</sup>

Weighted effective value of the acceleration of vibrations transferred to hands– left hand	2.7 m.sec <sup>-2</sup> .
right hand	3.5 m.sec <sup>-2</sup> .
Conditions for measurement:	- revolutions of cutting equipment 2500 ot.min <sup>-1</sup> .
	- speed of the travel 5.4 km.hod <sup>-1</sup> .
	- cutting of the grass at medium height 30 mm

## **11. Recycling**

After expiration of the service life, the self-moving rotary cutter must be liquidated in accordance with Act No. 185/2001 Coll., and according to valid regulations.

### **Accessories for cutting mechanism W3532 – can be ordered on request**

<b>Y0417</b>	bolster
<b>Y0418</b>	front hinge
<b>E5821</b>	hydraulic unit DJH-590
<b>Y0735</b>	mulching set
<b>E5741</b>	cover against stones DKK-572
<b>F000531</b>	snow chains
<b>E6754</b>	tractive hinge

### **Working tools for cutting mechanism W3532 – can be ordered on request**

<b>B3361</b>	leaf picker ASL-611
<b>E5770</b>	sweeping brush AZK-612 (connection: front hinge Y0418 + hydraulic unit E5821)
<b>S0444</b>	snow plough SF-1050 (connection: front hinge Y0418 + hydraulic unit E5821)
<b>E7080</b>	plough RS-110-35M – mechanical lifting
<b>E7090</b>	plough RS-110-35E – electric lifting - (connection: front hinge Y0418)



02 - 2008

WISCONSIN Engineering CZ, s.r.o.

Vrahovická 41, 796 02 PROSTĚJOV,

Tel: 582 401 915 Fax: 582 401 919

E-mail: [info@wisconsineng.cz](mailto:info@wisconsineng.cz)

[www.wisconsineng.cz](http://www.wisconsineng.cz)

## Free Manuals Download Website

<http://myh66.com>

<http://usermanuals.us>

<http://www.somanuals.com>

<http://www.4manuals.cc>

<http://www.manual-lib.com>

<http://www.404manual.com>

<http://www.luxmanual.com>

<http://aubethermostatmanual.com>

Golf course search by state

<http://golfingnear.com>

Email search by domain

<http://emailbydomain.com>

Auto manuals search

<http://auto.somanuals.com>

TV manuals search

<http://tv.somanuals.com>