

## Pro 27" (686) Deep Wall Ventilation Hood

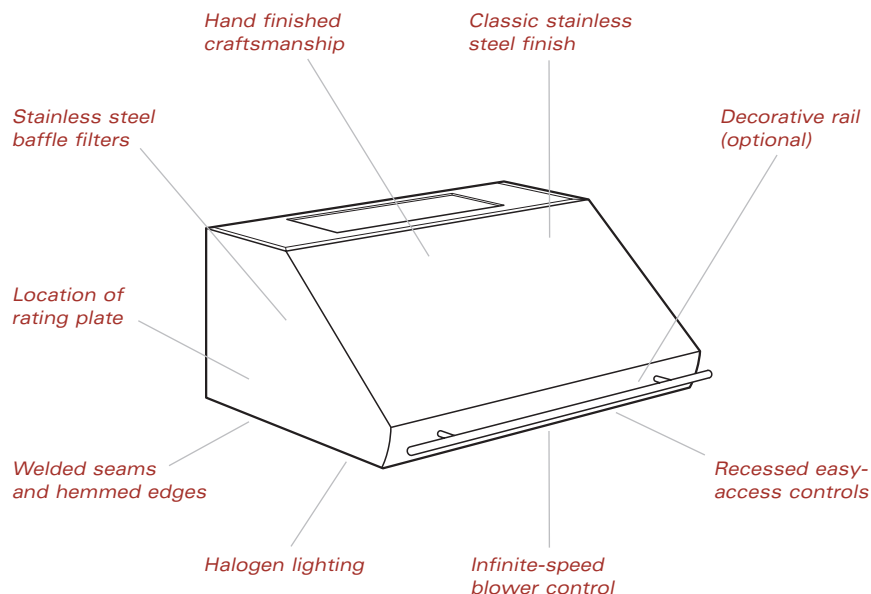
MODEL PW362718(R)



Model PW362718



Model PW362718R  
Rail Option



Model PW362718R shown with decorative rail.

► Wolf Pro 27" (686) deep wall hoods are available in the classic stainless steel finish. Rail option hoods (R) come with a classic stainless steel decorative rail and stand-offs. Optional platinum or brass rails match dual fuel range bezels. Pro wall hoods are sold as a shell only; internal, in-line and remote blower options are available.

**W**olf Pro wall hoods provide the ultimate in ventilation. With standard elements like heat sentry and dual setting halogen lighting, Wolf elevates the need for ventilation to an enjoyable perk.

Pro 27" (686) deep wall hoods are available in the classic stainless steel finish. You also have the option of a decorative rail. While a classic stainless steel rail is standard on (R) models, platinum or brass rails are available to match the bezels of our dual fuel ranges and sealed burner rangetops.

The deepest of the Pro wall hoods, this 27" (686) model provides an additional exclusive feature—heat lamps.

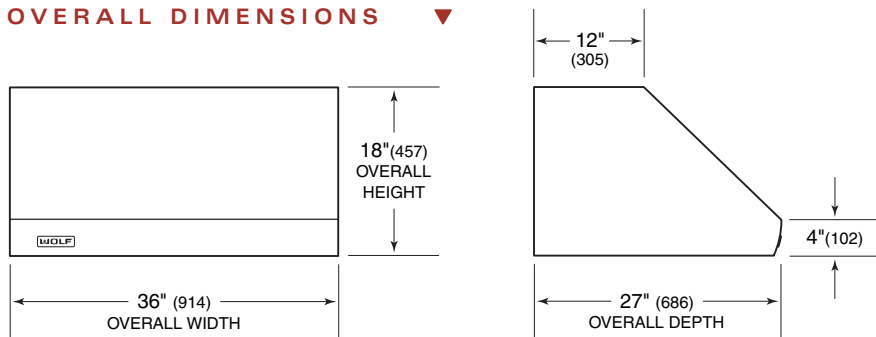
Pro wall ventilation hoods are recommended for use with all Wolf cooking appliances. For optimal performance, a Pro 27" (686) deep wall hood is recommended for use with ranges and rangetops that contain a charbroiler or griddle.

**Pro 27" (686) Deep Wall Ventilation Hood**  
**MODEL PW362718(R)**

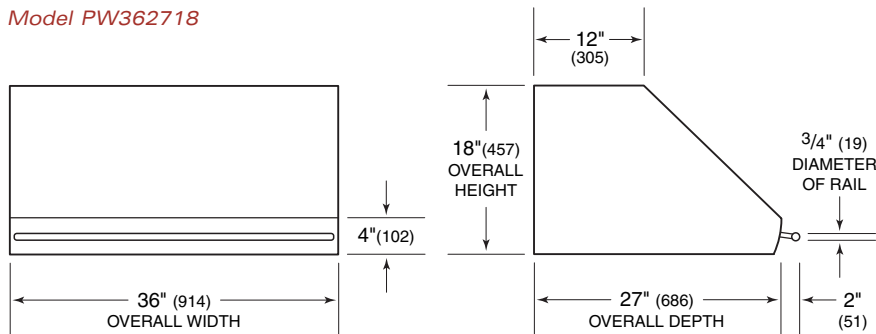
**FEATURES**

- ▶ 36" (914) wide wall ventilation hood with classic stainless steel finish
- ▶ Rail option wall hoods (R) come with a classic stainless steel decorative rail and stand-offs—optional platinum or brass rail available to match dual fuel range bezels
- ▶ Internal, in-line and remote blower options
- ▶ Heavy-duty 16-gauge brushed stainless steel construction
- ▶ Stainless steel enclosed liner
- ▶ Continually welded seams, hemmed edges and sides and hand finished craftsmanship
- ▶ Recessed easy-access controls
- ▶ Infinite-speed blower control
- ▶ Heat sentry feature automatically turns unit on when heat is sensed and automatically adjusts blower speed
- ▶ Halogen lighting with two settings
- ▶ Heat lamps—bulbs not included
- ▶ Removable, dishwasher-safe, restaurant-grade stainless steel baffle filters
- ▶ Transition with backdraft damper included
- ▶ CSA listed to US and Canadian safety standards
- ▶ Two and five year residential warranty—exclusions apply; warranty information can be found on our website, [wolfappliance.com](http://wolfappliance.com)

**OVERALL DIMENSIONS** ▼



*Model PW362718*



*Model PW362718R with Rail*

*Unit dimensions may vary by  $\pm 1/8$ " (3).*

*Dimensions in parentheses are in millimeters unless otherwise specified.*

## Pro 27" (686) Deep Wall Ventilation Hood

MODEL PW362718(R)

### BLOWER OPTIONS ▼

|                         |        |
|-------------------------|--------|
| 600 CFM Internal Blower | 810559 |
| 900 CFM Internal Blower | 811131 |
| 1100 CFM In-Line Blower | 808332 |
| 900 CFM Remote Blower   | 801641 |
| 1200 CFM Remote Blower  | 801642 |
| 1500 CFM Remote Blower  | 804701 |

*Refer to Pro Ventilation Recommendations at the end of this section.*

### ACCESSORIES

- ▶ Platinum or brass decorative rail and stand-offs
- ▶ 38" (965) high classic stainless steel backsplash with or without warming racks
- ▶ 6" (152), 12" (305), 18" (457) and 24" (610) classic stainless steel duct covers
- ▶ Horizontal discharge kit

*Accessories are available through your Wolf dealer. To obtain local dealer information, visit the Showroom Locator section of our website, [wolfappliance.com](http://wolfappliance.com).*

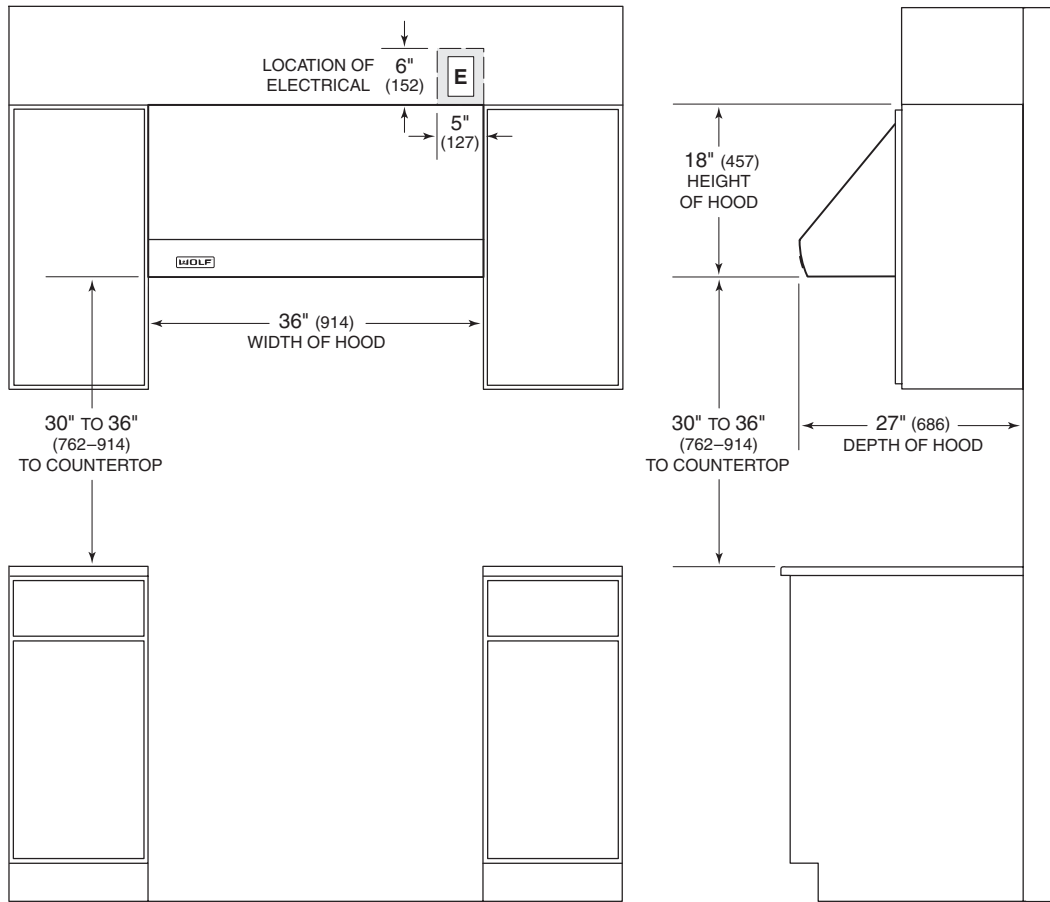
### SPECIFICATIONS ▼

|  |   |
|--|---|
| Overall Width of Hood                  | 36" (914)                                       |
| Overall Height of Hood                 | 18" (457)                                       |
| Overall Depth of Hood (including rail) | 27" (686)<br>29" (737)                          |
| Internal Blower Options                | 600 or 900 CFM                                  |
| In-Line Blower Option                  | 1100 CFM  |
| Remote Blower Options                  | 900, 1200 or 1500 CFM                           |
| Discharge                              | Vertical or Horizontal*                         |
| Duct Size                              | 10" (254) Round                                 |
| Electrical Supply Requirements         | 110/120 V AC, 60 Hz<br>15 amp dedicated circuit |
| Shipping Weight (shell only)           | 99 lbs (45 kg)                                  |

*\*Horizontal discharge applications require a horizontal discharge kit. Specifications are subject to change without notice.*

**Pro 27" (686) Deep Wall Ventilation Hood**  
MODEL PW362718(R)

**INSTALLATION SPECIFICATIONS**



NOTE: 27" (686) deep wall hoods can be vertical or horizontal discharge.

**DIMENSIONS**

|  |                        |
|--|------------------------|
| Overall Width of Hood                  | 36" (914)              |
| Overall Height of Hood                 | 18" (457)              |
| Overall Depth of Hood (excluding rail) | 27" (686)              |
| Countertop to Bottom of Hood           | 30" (762) to 36" (914) |
| Location of Electrical                 | Within shaded area     |

See Installation Instructions shipped with unit for detailed specifications.

Dimensions in parentheses are in millimeters unless otherwise specified.

## Pro 27" (686) Deep Wall Ventilation Hood

MODEL PW362718(R)

### INSTALLATION NOTES

▶ Refer to the illustrations and specifications for overall dimensions and installation specifics.

▶ Wolf Pro wall ventilation hoods are recommended for use with any Wolf cooking appliance, and should be at least as wide as the cooking surface. It is recommended that the hood overlap the cooking surface by 3" (76) on either side.

**IMPORTANT NOTE:** For optimal performance, a Pro 27" (686) deep wall hood is recommended for use with ranges and rangetops that contain a charbroiler or griddle.

▶ Installation of all Pro ventilation hoods should be 30" (762) to 36" (914) from the bottom of the hood to the countertop. Follow the dimensions shown in the Installation illustration on page 4.

▶ Wolf Pro wall hoods are shipped without a blower assembly. Internal, in-line or remote blower assemblies are available. Blower options also vary with the volume of air that needs to be moved and the length of the duct run. Refer to the charts at the end of this section for Pro ventilation recommendations and blower options.

**IMPORTANT NOTE:** Install this ventilation hood only with a Wolf blower.

▶ Pro wall hoods require a separate, grounded 110/120 V AC, 60 Hz power supply. The service should have its own 15 amp circuit breaker. Placement of the electrical supply is not critical, as long as you provide enough 120 V AC, 60 Hz power cable to make the electrical connection. Locate electrical within the shaded area shown in the Installation illustration on page 4.

▶ You must follow all National Electrical Code regulations. In addition, be aware of local codes and ordinances when installing your service.

▶ Refer to the installation instructions shipped with each Wolf product for detailed specifications. This information can also be found on our website, [wolfappliance.com](http://wolfappliance.com).

**Pro 27" (686) Deep Wall Ventilation Hood**  
MODEL PW362718(R)

**DUCTING CONSIDERATIONS**

Wolf Pro 27" (686) deep wall hoods are shipped without the blower assembly. Internal, in-line and remote blower assemblies are available.

**IMPORTANT NOTE:** Install this ventilation hood only with a Wolf blower.

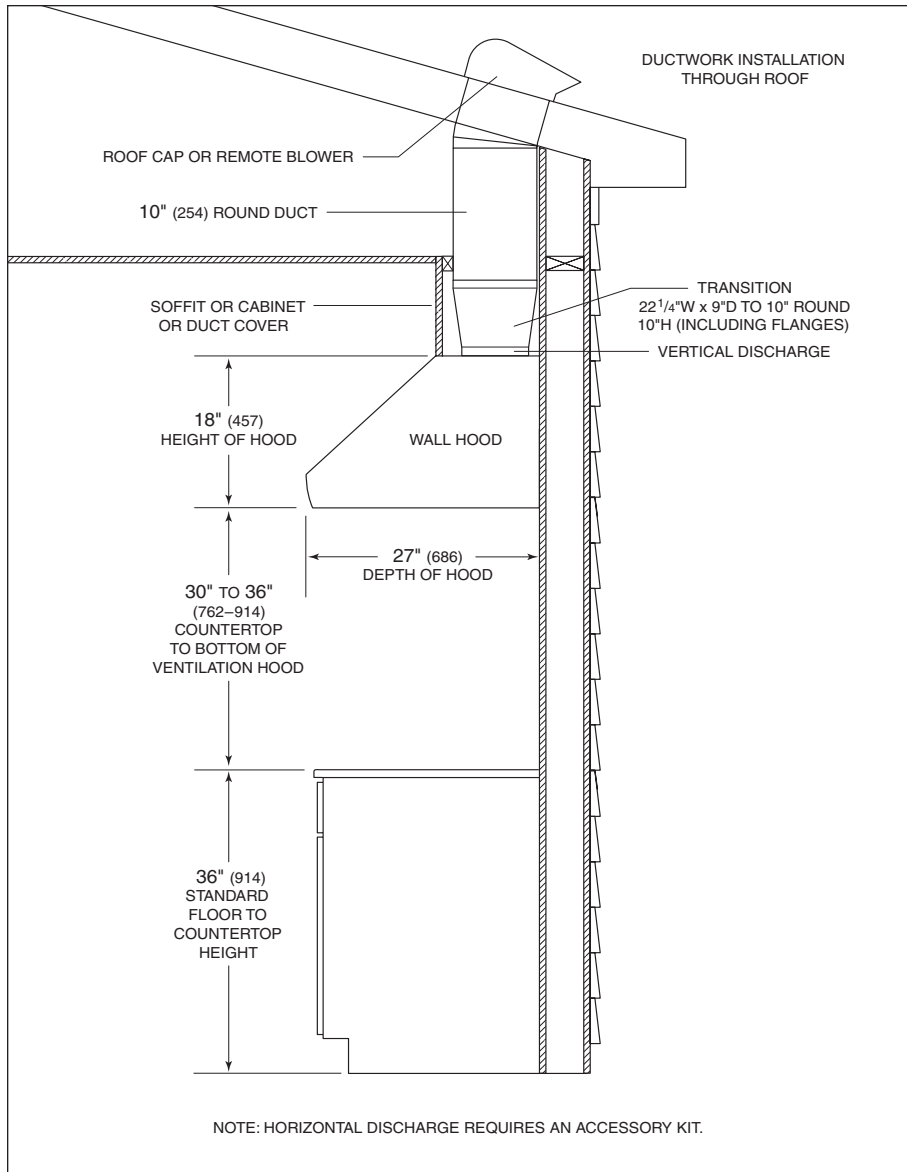
Pro 27" (686) deep wall hoods have a vertical discharge. A horizontal discharge kit is available as a sales accessory.

The hood will operate most efficiently when ductwork does not exceed 50' (15 m) in length.

Local building codes may require the use of make-up air. Consult your local HVAC professional for specific requirements in your area.

**IMPORTANT NOTE:** Wolf Pro 27" (686) deep wall hoods must be vented to the outside. Use only metal ductwork.

Refer to the illustration below for ducting considerations for Pro 27" (686) deep wall hoods.



*Ducting for Pro 27" (686) deep wall hoods.*

*Dimensions in parentheses are in millimeters unless otherwise specified.*

**Pro 27" (686) Deep Wall Ventilation Hood**  
**MODEL PW362718(R)**

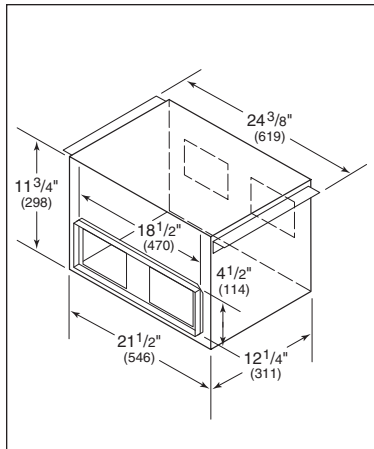
**WOLF BLOWER ASSEMBLIES**

A ventilation system must include a blower assembly. Wolf ventilation hoods are shipped without the blower assembly. An internal, in-line or remote blower assembly must be selected to accommodate the cooking appliance, CFM requirements and homeowner preferences. Internal, in-line and remote blower assemblies are available as sales accessories through your Wolf dealer.

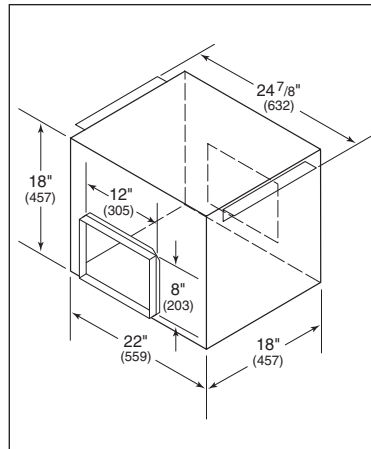
**IMPORTANT NOTE:** Use only a Wolf blower with all Wolf ventilation products.

Internal blowers are mounted inside the hood canopy. In-line blowers are mounted in between the hood and the exterior of the home. Remote blowers can be mounted on the roof or in some cases, on an exterior wall. Refer to the illustrations below for dimensions of Wolf in-line and remote blowers.

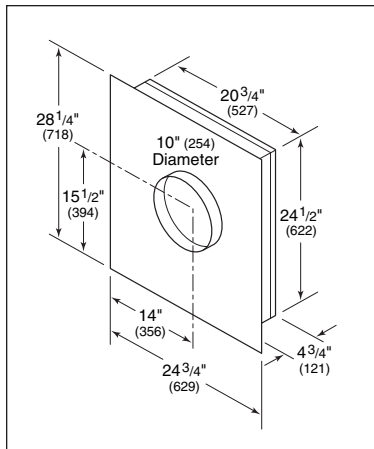
Pro ventilation recommendation charts on the following page provide minimum CFM recommendations according to the cooking appliance and ventilation hood used and blower options for each specific Pro 27" (686) deep wall hood.



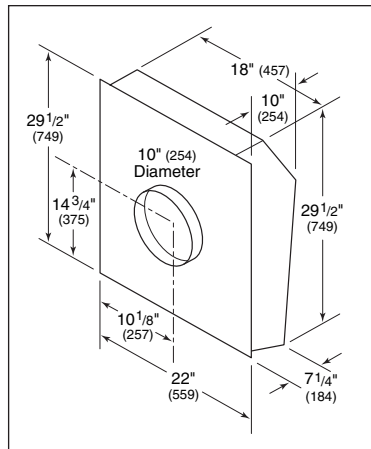
*In-line BLOWER-60IL*



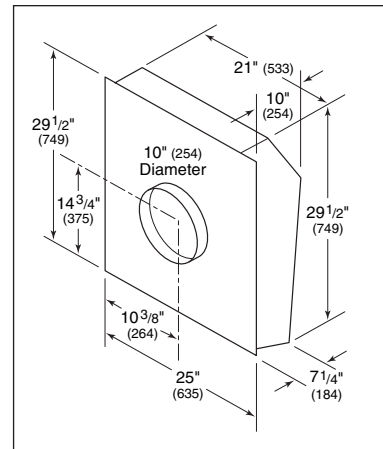
*In-line BLOWER-110IL*



*Remote BLOWER-60REM and BLOWER-90REM*



*Remote BLOWER-120REM*



*Remote BLOWER-150REM*

Unit dimensions may vary by  $\pm 1/8$ " (3).

Dimensions in parentheses are in millimeters unless otherwise specified.

## Pro 27" (686) Deep Wall Ventilation Hood

MODEL PW362718(R)

### PRO VENTILATION CFM RECOMMENDATIONS

#### Pro 27" (686) Deep Wall Hoods

| Model                         | PW302718 | PW362718 | PW422718 | PW482718 | PW542718 | PW602718 | PW662718 |
|-------------------------------|----------|----------|----------|----------|----------|----------|----------|
| DF304 / R304 / SRT304         | 600      | 600      |          |          |          |          |          |
| DF366 / R366 / SRT366 / RT366 |          | 900      | 900      |          |          |          |          |
| DF364 / R364 / SRT364 / RT364 |          | 900      | 900      |          |          |          |          |
| RT362                         |          | 900      | 900      |          |          |          |          |
| R488 / RT488                  |          |          |          | 1100     | 1100     |          |          |
| DF486 / R486 / SRT486 / RT486 |          |          |          | 1100     | 1100     |          |          |
| DF484 / R484 / SRT484 / RT484 |          |          |          | 1100     | 1100     |          |          |
| DF606 / R606                  |          |          |          |          |          | 1500     | 1500     |
| DF604                         |          |          |          |          |          | 1500     | 1500     |

*Minimum CFM requirements for Wolf ranges and rangetops. CFM recommendations are based on total Btu/hr output. Additional CFM may be required for charbroilers, griddles and long duct runs.*

### PRO VENTILATION BLOWER OPTIONS

#### Pro 27" (686) Deep Wall Hoods

| Blower Description | Blower Number           | Wall Hood Models                                      |
|--------------------|-------------------------|---|
| 600 CFM Internal   | WBLOWER-60INT (810559)  | PW302718 / PW362718 / PW422718                        |
| 900 CFM Internal   | WBLOWER-90INT (811131)  | PW302718 / PW362718 / PW422718                        |
| 1200 CFM Internal  | WBLOWER-120INT (810316) | PW482718 / PW542718 / PW602718 / PW662718             |
| 600 CFM In-Line    | BLOWER-60IL (808331)    | PW302718  |
| 1100 CFM In-Line   | BLOWER-110IL (808332)   | All 27" (686) Deep Wall Hoods                         |
| 600 CFM Remote     | BLOWER-60REM (801640)   | PW302718  |
| 900 CFM Remote     | BLOWER-90REM (801641)   | PW302718 / PW362718 / PW422718<br>PW482718 / PW542718 |
| 1200 CFM Remote    | BLOWER-120REM (801642)  | All 27" (686) Deep Wall Hoods                         |
| 1500 CFM Remote    | BLOWER-150REM (804701)  | All 27" (686) Deep Wall Hoods                         |

*Dimensions in parentheses are in millimeters unless otherwise specified.*



## Free Manuals Download Website

<http://myh66.com>

<http://usermanuals.us>

<http://www.somanuals.com>

<http://www.4manuals.cc>

<http://www.manual-lib.com>

<http://www.404manual.com>

<http://www.luxmanual.com>

<http://aubethermostatmanual.com>

Golf course search by state

<http://golfingnear.com>

Email search by domain

<http://emailbydomain.com>

Auto manuals search

<http://auto.somanuals.com>

TV manuals search

<http://tv.somanuals.com>