



ACHIEVER COLD REFRIGERATED BASES SELF-CONTAINED SERIES (ARS)

WOLF RANGE COMPANY

MODEL: Achiever Cold Refrigerated Bases - Self-Contained ARS



**Model ARS96
shown with compressor on left (optional)**

BASIC MODEL:

- ARS36** 36" wide self-contained base
- ARS48** 48" wide self-contained base
- ARS60** 60" wide self-contained base
- ARS72** 72" wide self-contained base
- ARS84** 84" wide self-contained base
- ARS96** 96" wide self-contained base
- ARS108** 108" wide self-contained base

KEY FEATURES:

- Stainless steel base, top, front, sides & interior.
- 25" unit height.
- 6" capacity on all drawers.
- Compressor on right.
- 4" heavy-duty casters.
- Galvanized back.
- New adjustable caster channel.
- Magnetic drawer gaskets.
- Self-contained models provided with an electric condensate evaporator.

OPTIONAL FEATURES:

- 6" adjustable legs.
- Compressor on left.
- Curb mount.

DESCRIPTION:

Wolf Model No. _____. Base exterior front, sides and interior are 20 gauge stainless steel. Back is 20 gauge #304 and bottom is 18 gauge galvanized metal. Interior has coved corners. 4" casters are provided along with a 2" dial thermometer. 2 1/4" thick foamed-in-place polyurethane. Self-contained R404a or R134a hermetic condensing unit is provided for refrigerated base. All 115V single phase ARS-48 are equipped with 15 amp cord and plug. All 115V single phase ARS-60, 72, 84, 96 and 108 are provided with 20 amp cord and plug. All hookups at right rear. Models provided with an electric condensate evaporator.



UL Listed.
UL Sanitation Approved to NSF 7.

Approved by _____

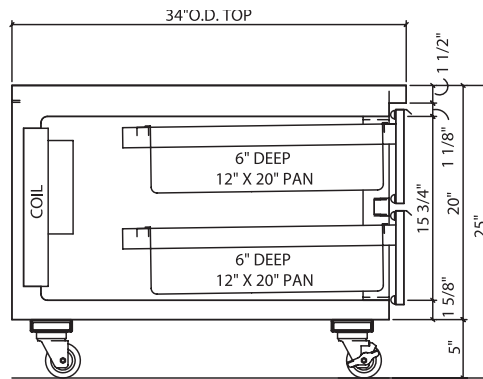
Date: _____

WOLF RANGE COMPANY

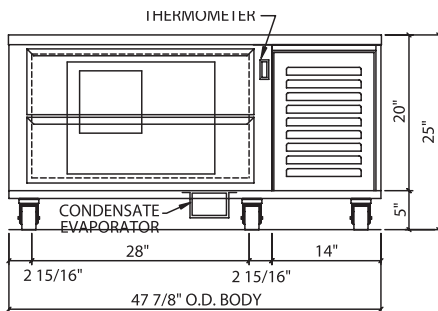
Wolf Range Company
Division of ITW Food Equipment Group LLC
(800) 366-9653
www.wolfrange.com

Model	HP	REFRIG.	VOLTAGE	AMPS
ARS36	1/6	R134A	115V	4.7
ARS48	1/6	R134A	115V	4.7
ARS60	1/6	R134A	115V	4.7
ARS72	1/6	R134A	115V	10.86
ARS84	1/6	R134A	115V	10.86
ARS96	1/6	R134A	115V	11.25
ARS108	1/6	R134A	115V	11.25

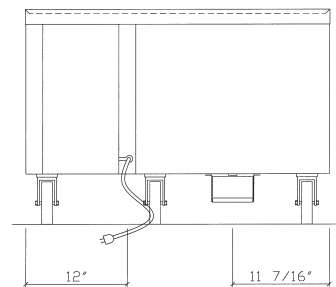
Model No.	Counter Depth	Depth w/open Drawer	No. of Drawers	Top Pans 6 x 12 x 20	Bottom Pans 6 x 12 x 20	Exterior Dimensions w x d x h	Approx. Ship Wgt.	
							Lbs.	Kg.
ARS36	34"	53"	2	1	1	36" x 34" x 25"	300	136
ARS48	34"	53"	2	2	2	48" x 34" x 25"	325	148
ARS60	34"	53"	2	2	2	60" x 34" x 25"	340	155
ARS72	34"	53"	4	3	3	72" x 34" x 25"	440	200
ARS84	34"	53"	4	4	4	84" x 34" x 25"	500	227
ARS96	34"	53"	6	5	5	96" x 34" x 25"	525	239
ARS108	34"	53"	6	6	6	108" x 34" x 25"	600	273



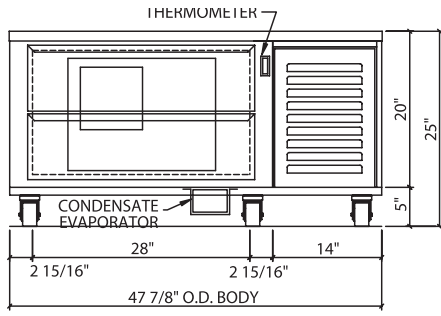
All Models Side View



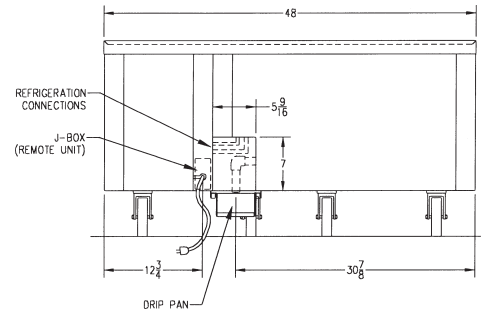
ARS636 Front View



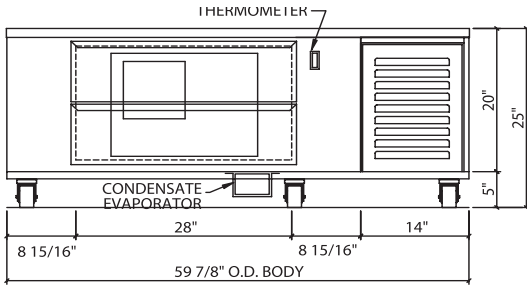
ARS36 Back View



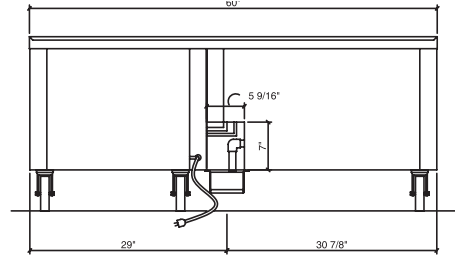
ARS48 Front View



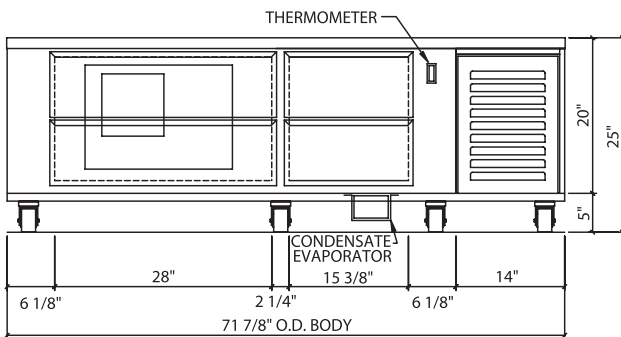
ARS48 Back View



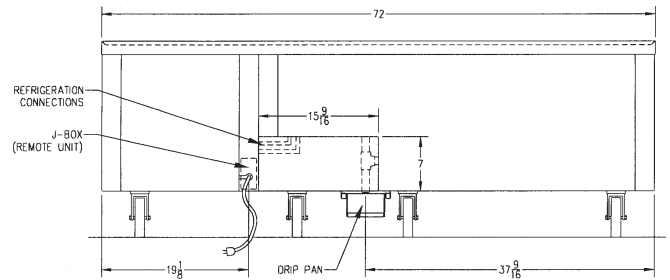
ARS60 Front View



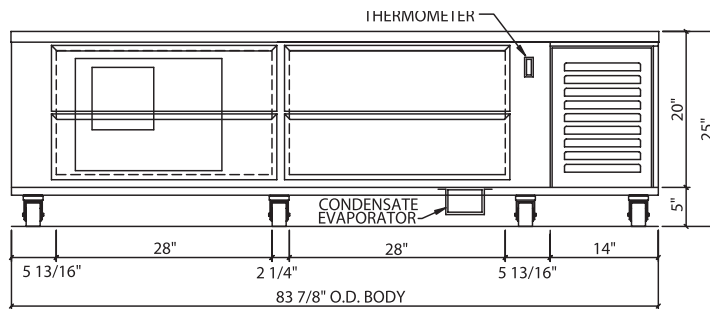
ARS60 Back View



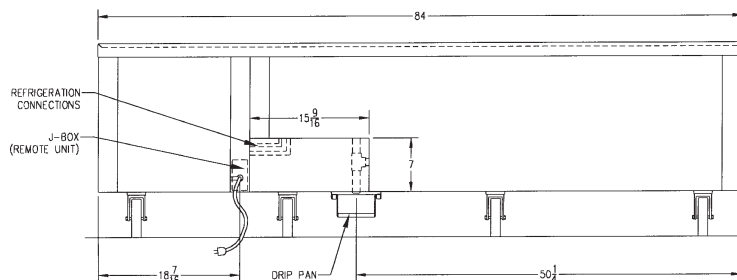
ARS72 Front View



ARS72 Back View



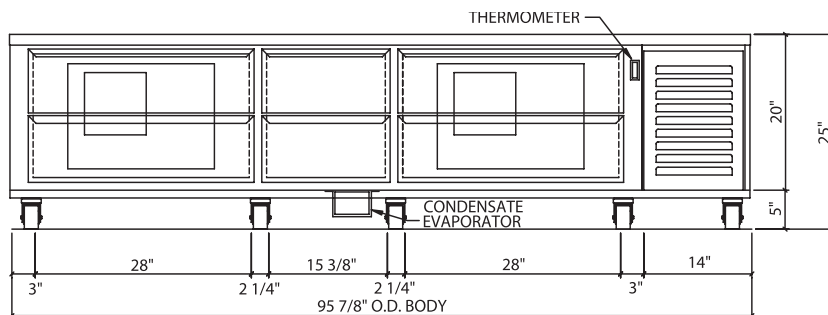
ARS84 Front View



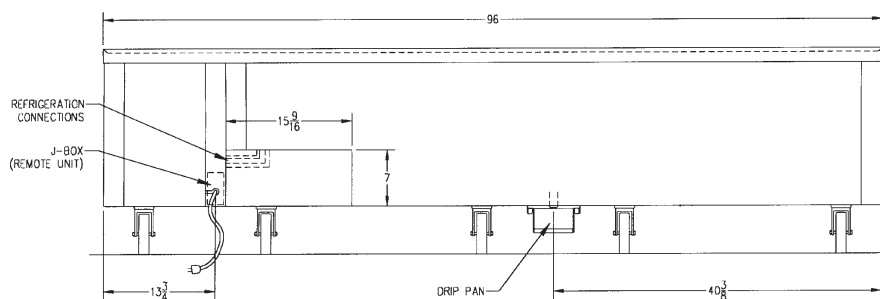
ARS84 Back View



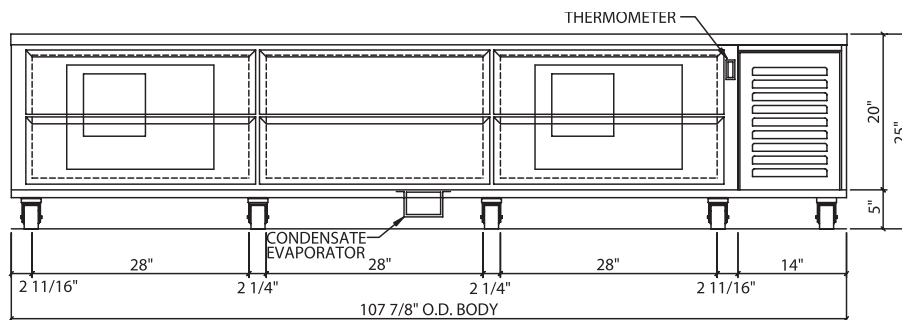
Achiever Cold Refrigerated Bases Self-Contained Series (ARS)



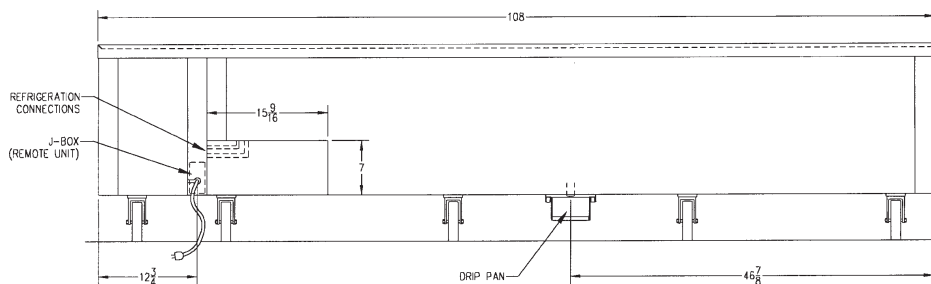
ARS96 Front View



ARS96 Back View



ARS108 Front View



ARS108 Back View

NOTE: In line with its policy to continually improve its product, Wolf Range Company reserves the right to change materials and specifications without notice.
This appliance is manufactured for commercial use only and is not intended for home use.

Free Manuals Download Website

<http://myh66.com>

<http://usermanuals.us>

<http://www.somanuals.com>

<http://www.4manuals.cc>

<http://www.manual-lib.com>

<http://www.404manual.com>

<http://www.luxmanual.com>

<http://aubethermostatmanual.com>

Golf course search by state

<http://golfingnear.com>

Email search by domain

<http://emailbydomain.com>

Auto manuals search

<http://auto.somanuals.com>

TV manuals search

<http://tv.somanuals.com>