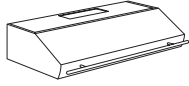


Pro Low-Profile Wall Ventilation Hood

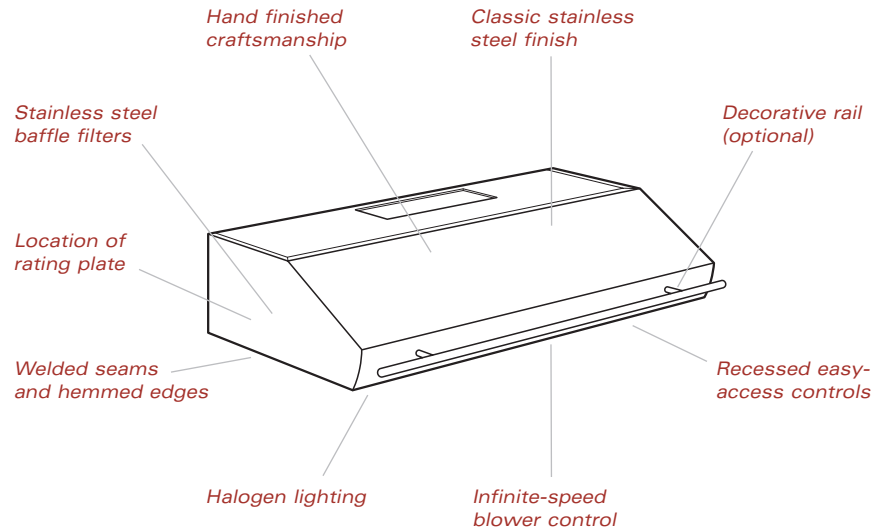
MODEL PW422210(R)



Model PW422210



Model PW422210R
Rail Option



Model PW422210R shown with decorative rail.

► Wolf Pro low-profile wall hoods are 10" (254) high by 22" (559) deep and come in the classic stainless steel finish. Rail option hoods (R) come with a classic stainless steel decorative rail and stand-offs. Optional platinum or brass rails match dual fuel range bezels. Pro wall hoods are sold as a shell only; internal, in-line and remote blower options are available.

Wolf Pro wall hoods provide the ultimate in ventilation. With standard elements like heat sentry and dual setting halogen lighting, Wolf elevates the need for ventilation to an enjoyable perk.

Pro low-profile wall hoods are available in the classic stainless steel finish. You also have the option of a decorative rail. While a classic stainless steel rail is standard on (R) models, platinum or brass rails are available to match the bezels of our dual fuel ranges and sealed burner rangetops.

Pro wall ventilation hoods are recommended for use with all Wolf cooking appliances. For optimal performance, a Pro 27" (686) deep wall hood is recommended for use with ranges and rangetops that contain a charbroiler or griddle.

Dimensions in parentheses are in millimeters unless otherwise specified.

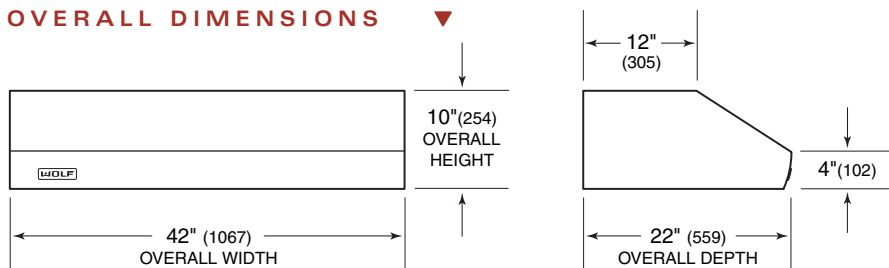
9/07

Pro Low-Profile Wall Ventilation Hood
MODEL PW422210(R)

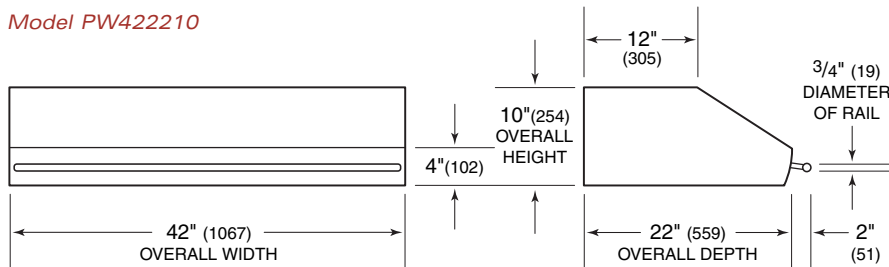
FEATURES

- ▶ 42" (1067) wide wall ventilation hood with classic stainless steel finish
- ▶ Rail option wall hoods (R) come with a classic stainless steel decorative rail and stand-offs—optional platinum or brass rail available to match dual fuel range bezels
- ▶ In-line and remote blower options
- ▶ Heavy-duty 16-gauge brushed stainless steel construction
- ▶ Stainless steel enclosed liner
- ▶ Continually welded seams, hemmed edges and sides and hand finished craftsmanship
- ▶ Recessed easy-access controls
- ▶ Infinite-speed blower control
- ▶ Heat sentry feature automatically turns unit on when heat is sensed and automatically adjusts blower speed
- ▶ Halogen lighting with two settings
- ▶ Removable, dishwasher-safe, restaurant-grade stainless steel baffle filters
- ▶ CSA listed to US and Canadian safety standards
- ▶ Two and five year residential warranty—exclusions apply; warranty information can be found on our website, wolfappliance.com

OVERALL DIMENSIONS



Model PW422210



Model PW422210R with Rail

Unit dimensions may vary by $\pm 1/8$ " (3).

Dimensions in parentheses are in millimeters unless otherwise specified.

Pro Low-Profile Wall Ventilation Hood

MODEL PW422210(R)

BLOWER OPTIONS ▼

600 CFM In-Line Blower	808331
600 CFM Remote Blower	801640
900 CFM Remote Blower	801641

Refer to Pro Ventilation Recommendations at the end of this section.

ACCESSORIES

- ▶ Platinum or brass decorative rail and stand-offs
- ▶ 38" (965) high classic stainless steel backsplash with or without warming racks
- ▶ 6" (152), 12" (305), 18" (457) and 24" (610) classic stainless steel duct covers
- ▶ Transitions for both 8" (203) and 10" (254) round duct

Accessories are available through your Wolf dealer. To obtain local dealer information, visit the Showroom Locator section of our website, wolfappliance.com.

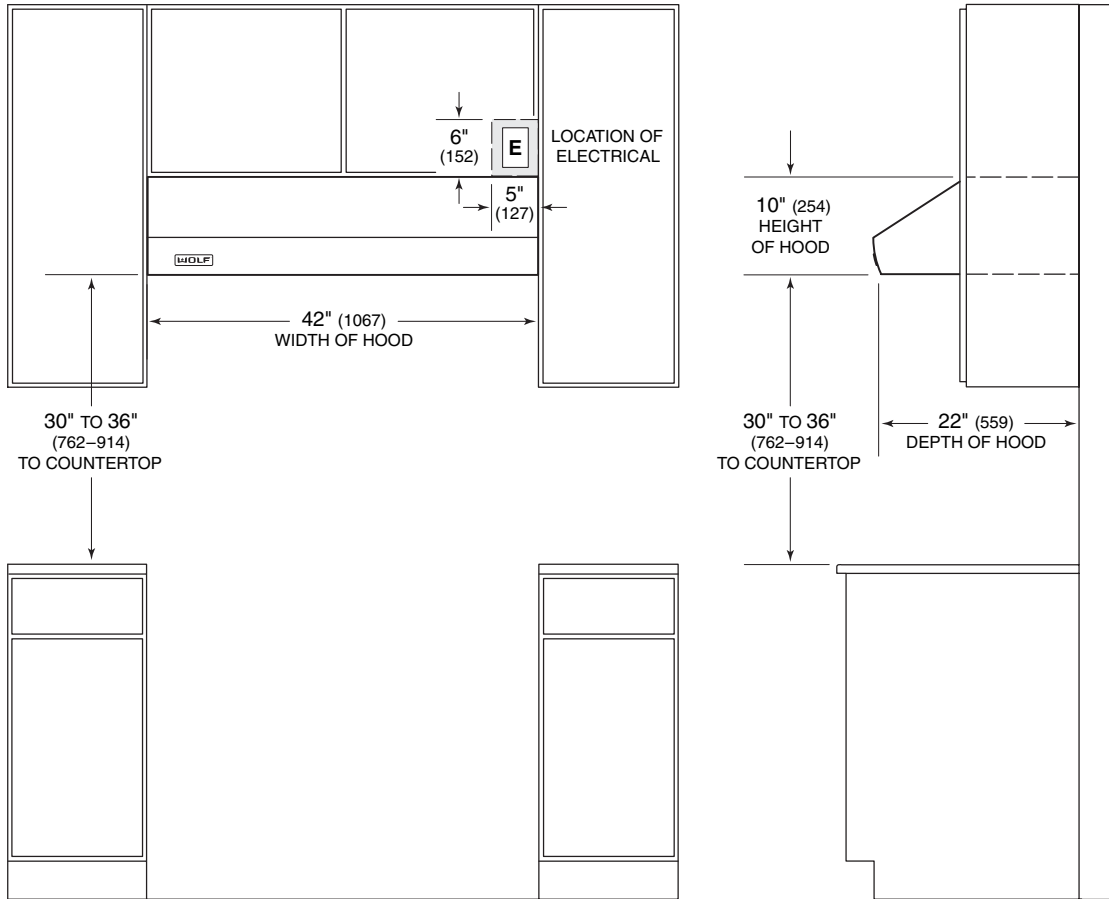
SPECIFICATIONS ▼

Overall Width of Hood	42" (1067)
Overall Height of Hood	10" (254)
Overall Depth of Hood (including rail)	22" (559) 24" (610)
In-Line Blower Option	600 CFM
Remote Blower Options	600 or 900 CFM
Discharge	Vertical or Horizontal
Duct Size	10" (254) Round
Electrical Supply Requirements	110/120 V AC, 60 Hz 15 amp dedicated circuit
Shipping Weight (shell only)	75 lbs (34 kg)

Specifications are subject to change without notice.

Pro Low-Profile Wall Ventilation Hood
MODEL PW422210(R)

INSTALLATION SPECIFICATIONS



NOTE: Pro low-profile hoods have an adjustable discharge.

DIMENSIONS

Overall Width of Hood	42" (1067)
Overall Height of Hood	10" (254)
Overall Depth of Hood (excluding rail)	22" (559)
Countertop to Bottom of Hood	30" (762) to 36" (914)
Location of Electrical	Within shaded area

See Installation Instructions shipped with unit for detailed specifications.

Dimensions in parentheses are in millimeters unless otherwise specified.

Pro Low-Profile Wall Ventilation Hood MODEL PW422210(R)

INSTALLATION NOTES

▶ Refer to the illustrations and specifications for overall dimensions and installation specifics.

▶ Wolf Pro wall ventilation hoods are recommended for use with any Wolf cooking appliance, and should be at least as wide as the cooking surface. It is recommended that the hood overlap the cooking surface by 3" (76) on either side.

IMPORTANT NOTE: For optimal performance, a Pro 27" (686) deep wall hood is recommended for use with ranges and rangetops that contain a charbroiler or griddle.

▶ Installation of all Pro ventilation hoods should be 30" (762) to 36" (914) from the bottom of the hood to the countertop. Follow the dimensions shown in the Installation illustration on page 4.

▶ Wolf Pro wall hoods are shipped without a blower assembly. Internal, in-line or remote blower assemblies are available. Blower options also vary with the volume of air that needs to be moved and the length of the duct run. Refer to the charts at the end of this section for Pro ventilation recommendations and blower options.

IMPORTANT NOTE: Install this ventilation hood only with a Wolf blower.

▶ Pro wall hoods require a separate, grounded 110/120 V AC, 60 Hz power supply. The service should have its own 15 amp circuit breaker. Placement of the electrical supply is not critical, as long as you provide enough 120 V AC, 60 Hz power cable to make the electrical connection. Locate electrical within the shaded area shown in the Installation illustration on page 4.

▶ You must follow all National Electrical Code regulations. In addition, be aware of local codes and ordinances when installing your service.

▶ Refer to the installation instructions shipped with each Wolf product for detailed specifications. This information can also be found on our website, wolfappliance.com.

Pro Low-Profile Wall Ventilation Hood
MODEL PW422210(R)

DUCTING CONSIDERATIONS

Wolf Pro low-profile wall hoods are shipped without the blower assembly. Internal, in-line and remote blower assemblies are available.

IMPORTANT NOTE: Install this ventilation hood only with a Wolf blower.

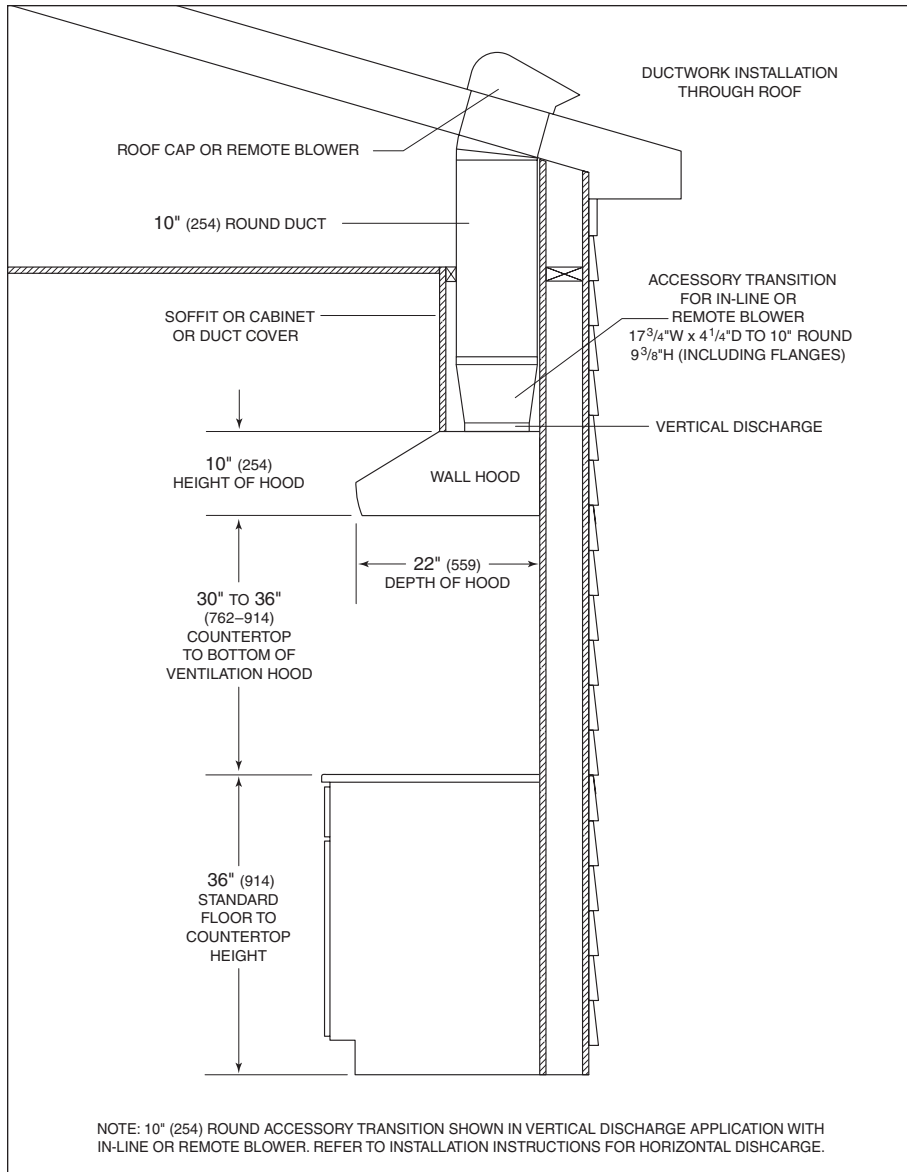
Pro low-profile wall hoods come standard with a horizontal or vertical discharge. No transition is included. When using an in-line or external blower, use the optional accessory 10" (254) round transition.

The hood will operate most efficiently when ductwork does not exceed 50' (15 m) in length.

Local building codes may require the use of make-up air. Consult your local HVAC professional for specific requirements in your area.

IMPORTANT NOTE: Wolf Pro low-profile wall hoods must be vented to the outside. Use only metal ductwork.

Refer to the illustration below for ducting considerations for Pro low-profile wall hoods.



Ducting for Pro low-profile wall hoods.

Dimensions in parentheses are in millimeters unless otherwise specified.

Pro Low-Profile Wall Ventilation Hood
MODEL PW422210(R)

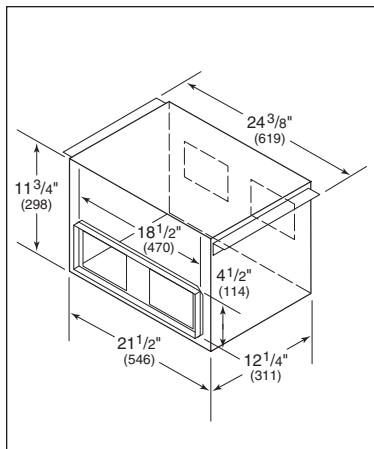
WOLF BLOWER ASSEMBLIES

A ventilation system must include a blower assembly. Wolf ventilation hoods are shipped without the blower assembly. An internal, in-line or remote blower assembly must be selected to accommodate the cooking appliance, CFM requirements and homeowner preferences. Internal, in-line and remote blower assemblies are available as sales accessories through your Wolf dealer.

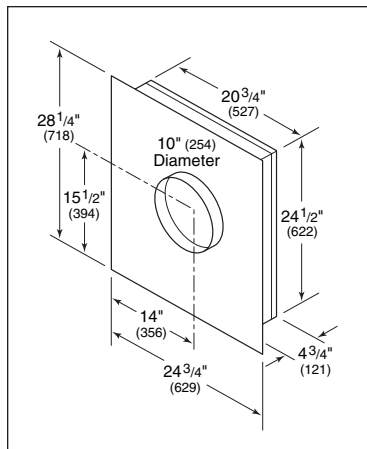
IMPORTANT NOTE: Use only a Wolf blower with all Wolf ventilation products.

Internal blowers are mounted inside the hood canopy. In-line blowers are mounted in between the hood and the exterior of the home. Remote blowers can be mounted on the roof or in some cases, on an exterior wall. Refer to the illustrations below for dimensions of Wolf in-line and remote blowers.

Pro ventilation recommendation charts on the following page provide minimum CFM recommendations according to the cooking appliance and ventilation hood used and blower options for each specific Pro low-profile wall hood.



In-line BLOWER-60IL



Remote BLOWER-60REM and BLOWER-90REM

Unit dimensions may vary by $\pm 1/8$ " (3).

Dimensions in parentheses are in millimeters unless otherwise specified.

Pro Low-Profile Wall Ventilation Hood

MODEL PW422210(R)

PRO VENTILATION CFM RECOMMENDATIONS

Pro Low-Profile Wall Hoods

Model	PW302210	PW362210	PW422210	PW482210
DF304 / R304 / SRT304	500/600	500/600		
DF366 / R366 / SRT366 / RT366		900	900	
DF364 / R364 / SRT364 / RT364		900	900	
RT362		900	900	
DF484 / R484 / SRT484 / RT484				900

Minimum CFM requirements for Wolf ranges and rangetops. CFM recommendations are based on total Btu/hr output. Additional CFM may be required for long duct runs.

PRO VENTILATION BLOWER OPTIONS

Pro Low-Profile Wall Hoods

Blower Description	Blower Number	Wall Hood Models
500 CFM Internal	WBLOWER-50INT (810991)	PW302210 / PW362210
600 CFM In-Line	BLOWER-60IL (808331)	All Low-Profile Wall Hoods
600 CFM Remote	BLOWER-60REM (801640)	All Low-Profile Wall Hoods
900 CFM Remote	BLOWER-90REM (801641)	All Low-Profile Wall Hoods

Free Manuals Download Website

<http://myh66.com>

<http://usermanuals.us>

<http://www.somanuals.com>

<http://www.4manuals.cc>

<http://www.manual-lib.com>

<http://www.404manual.com>

<http://www.luxmanual.com>

<http://aubethermostatmanual.com>

Golf course search by state

<http://golfingnear.com>

Email search by domain

<http://emailbydomain.com>

Auto manuals search

<http://auto.somanuals.com>

TV manuals search

<http://tv.somanuals.com>