

INSTALLATION INSTRUCTIONS  
AND  
REPAIR PARTS INFORMATION

# DUAL

## **#111307 LOADER MOUNTING KIT**

for mounting DuAl Model 195 Loader to  
John Deere 5500 2WD Tractors

## **#118460 LOADER MOUNTING KIT**

for mounting DuAl Model 215 Loader to  
John Deere 5500 FWA Tractors

## **#199758 HYDRAULIC HOSE KIT**

for mounting DuAl Model 195 & 215 Loaders to  
John Deere 5500 Tractors

**WOODS**

**TO THE DEALER:**

The loader mounting kit and/or hydraulic hose kit assembly and proper installation to the tractor is the responsibility of the DuAI dealer. Read manual instructions and safety rules. Make sure all items on the Pre-Delivery and Delivery Check Lists in the loader manual are completed before releasing equipment to the owner.

**TO THE OWNER:**

Read these mounting instructions before installing loader mounting kit and/or hydraulic hose kit. The information presented will prepare you to do a better and safer job. Keep this document handy for ready reference. Require all operators to read the loader manual carefully and become acquainted with all the adjustment and operating procedures before attempting to operate. Replacement manuals can be obtained from your dealer or by calling 1-800-319-6637, in the USA or Canada only.

The loader mounting kit and/or hydraulic hose kit you have purchased has been carefully engineered and manufactured to provide dependable and satisfactory use. Like all mechanical products, it will require cleaning and upkeep. Observe all safety information in this document, the loader and tractor manuals, and all safety decals on the loader and tractor.

For service, your authorized DuAI dealer has trained mechanics, genuine DuAI service parts, and the necessary tools and equipment to handle all your needs.

Use only genuine DuAI service parts. Substitute parts will void the warranty and may not meet standards required for safe and satisfactory operation. Record the model number of your loader mounting kit and/or hydraulic hose kit below and provide it to your dealer when requesting repair parts.

**Loader Mounting Kit Model:** \_\_\_\_\_

**Hydraulic Hose Kit Model:** \_\_\_\_\_

Provide this information to your dealer to obtain correct repair parts.

Throughout this manual, the term **IMPORTANT** is used to indicate that failure to observe can cause damage to equipment. The terms **CAUTION**, **WARNING** and **DANGER** are used in conjunction with the Safety-Alert Symbol, (a triangle with an exclamation mark), to indicate the degree of hazard for items of personal safety.



The Safety-Alert Symbol means ATTENTION! BECOME ALERT! YOUR SAFETY IS INVOLVED!



**CAUTION**

Denotes a reminder of safety practices or directs attention to unsafe practices which could result in personal injury if proper precautions are not taken.



**WARNING**

Denotes a hazard exists which can result in injury or death if proper precautions are not taken.




**DANGER**

Denotes an extreme intrinsic hazard exists which would result in high probability of death or irreparable injury if proper precautions are not taken.

# SAFETY RULES

**⚠ ATTENTION! BECOME ALERT! YOUR SAFETY IS INVOLVED! ⚠**

 <p>19924</p>	<b>⚠ WARNING</b>
	<p><b>HIGH PRESSURE HYDRAULIC OIL LEAKS CAN PENETRATE SKIN</b></p> <ul style="list-style-type: none"> <li>■ CHECK FOR LEAKS WITH CARDBOARD; NEVER USE HAND.</li> <li>■ BEFORE LOOSENING FITTINGS: LOWER LOAD, RELEASE PRESSURE, AND BE SURE OIL IS COOL.</li> <li>■ CONSULT PHYSICIAN IMMEDIATELY IF SKIN PENETRATION OCCURS.</li> </ul> <p><b>SKIN PENETRATION CAN RESULT IN SERIOUS INJURY AND GANGRENE.</b></p>

<b>⚠ WARNING</b>
<ul style="list-style-type: none"> <li>• Read and understand Operator's Manual before operating (available from dealer or call 1-800-319-6637).</li> <li>• Keep others away when operating loader.</li> <li>• Do not allow children or untrained persons to operate equipment.</li> <li>• Lower loader to ground, stop engine, set park brake and remove key before leaving tractor seat.</li> <li>• Failure to follow safety rules can result in serious injury or death.</li> </ul>

<b>⚠ WARNING</b>

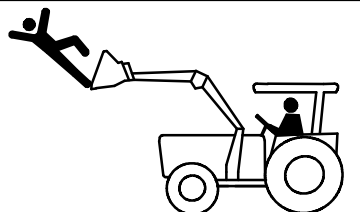

<b>FALLING LOAD HAZARD TO AVOID INJURY OR DEATH:</b>
<ul style="list-style-type: none"> <li>• Do not handle round bale or other shiftable load unless loader is equipped with approved attachments. (Read Operator's Manual.)</li> <li>• Lift and carry only one bale at a time.</li> <li>• Handle raised load with caution.</li> <li>• Carry load low.</li> </ul> <p style="text-align: right;">26-0352</p>

<b>⚠ DANGER</b>


**SERIOUS INJURY OR DEATH  
CAN RESULT FROM CONTACT  
WITH ELECTRICAL LINES.**

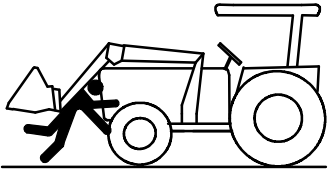
<b>⚠ DANGER</b>


<b>ROLLOVERS CAN RESULT IN INJURY OR DEATH</b>
<ul style="list-style-type: none"> <li>• ALWAYS USE ROPS AND SEAT BELT.</li> <li>• ADD REAR TRACTOR BALLAST</li> <li>• MOVE WHEELS TO WIDEST SETTING.</li> <li>• AVOID SLOPE OPERATION.</li> <li>• OPERATE AT LOW SPEEDS.</li> <li>• CARRY LOAD LOW.</li> </ul> <p style="text-align: right;">26-0351</p>

<b>⚠ WARNING</b>


**FALLING HAZARD  
TO AVOID INJURY  
OR DEATH:**

- DO NOT WORK FROM OR ALLOW RIDERS ON LOADER OR ITS ATTACHMENTS.

<b>⚠ WARNING</b>


<b>CRUSHING HAZARD TO AVOID INJURY OR DEATH:</b>
<ul style="list-style-type: none"> <li>• DO NOT WALK OR WORK UNDERNEATH A RAISED LOADER.</li> <li>• LOWER LOADER TO GROUND BEFORE LEAVING TRACTOR SEAT.</li> </ul> <p style="text-align: right;">26-0350</p>

# SAFETY RULES



**ATTENTION! BECOME ALERT! YOUR SAFETY IS INVOLVED!**



Safety is a primary concern in the design and manufacture of our products. Unfortunately, our efforts to provide safe equipment can be wiped out by a single careless act of an operator.

In addition to the design and configuration of equipment, hazard control and accident prevention are dependent upon the awareness, concern, prudence and proper training of personnel involved in the operation, transport, maintenance and storage of equipment.

It has been said *"The best safety device is an informed, careful operator."* We ask you to be that kind of an operator.

The designed and tested safety of this equipment depends on it being operated within the limitations as explained in this manual.

## INSTALLATION

■ During installation, the tractor engine should be off, the key removed and the brakes locked. Do not disconnect hydraulic lines until attachments are removed or lowered to the ground and system pressure is released by operating valve levers. Never operate any hydraulic cylinders during any phase of the installation process.

## TRAINING

■ Safety instructions are important! Read this manual and the DuAI Loader manual and follow all safety rules and safety decals. (Replacement manuals are available from dealer or call 1-800-319-6637.) Failure to follow instructions or safety rules can result in serious injury or death.

■ If you do not understand any part of this manual and need assistance, see your dealer.

■ Keep hands and body away from pressurized lines. Use paper or cardboard, not body parts to check for leaks. Wear safety goggles. Hydraulic fluid (oil) under pressure will easily penetrate skin and can cause serious injury or death.

■ Make sure that all operating and service personnel know that in the event hydraulic fluid penetrates skin, it must be surgically removed within a few hours by a doctor familiar with this form of injury, or gangrene, serious injury or death can result. **CONTACT A PHYSICIAN IMMEDIATELY IF FLUID ENTERS SKIN OR EYES.**

■ Do not allow children or untrained persons to operate equipment.

## PREPARATION

■ Air in hydraulic systems can cause erratic operation and allows loads or equipment components to drop unexpectedly. Before operating or allowing anyone to approach the equipment, purge any air in the system by operating all hydraulic functions several times after connecting equipment, connecting hoses, or doing any hydraulic maintenance.

■ After connecting hoses, check that all control lever positions function as instructed in the Operator's Manual. Do not operate until control lever and equipment movements are correct.

■ Protective sleeves must be over hydraulic hoses and securely fastened onto metal hose fittings as shown in this manual. Replace if damaged or if protective sleeve is not properly positioned or secured.

■ Make sure all hydraulic hoses, fittings and valves are in good condition and not leaking before starting power unit or using equipment. Check and route hoses carefully to prevent damage. Hoses must not be twisted, bent sharply, kinked, frayed, pinched, or come into contact with any moving parts. Operate moveable components through full operational range to check clearances. Replace any damaged hoses immediately.

■ Your dealer can supply original equipment hydraulic accessories and repair parts. Substitute parts may not meet original equipment specifications and may be dangerous.

■ Always wear relatively tight and belted clothing to avoid entanglement in moving parts. Wear sturdy, rough-soled work shoes and protective equipment for eyes, hair, hands, hearing and head.

■ Tractor must be equipped with ROPS or ROPS CAB and seat belt. Keep seat belt securely fastened. Falling off tractor can result in death from being run over or crushed. Keep foldable ROPS systems in "locked up" position at all times.

■ Whenever 3-point implements are attached to tractor, always check full range of operation for mechanical or hydraulic hose interference.

*(Safety Rules continued on next page)*

# SAFETY RULES



**ATTENTION! BECOME ALERT! YOUR SAFETY IS INVOLVED!**



*(Safety Rules continued from previous page)*

- Ensure shields and guards are properly installed and in good condition. Replace if damaged.

## OPERATIONAL SAFETY

- Protective sleeves must be over hydraulic hoses and securely fastened onto metal hose fittings as shown in this manual. Replace if damaged or if protective sleeve is not properly positioned or secured.
- Keep bystanders away from equipment while it is in operation.
- Do not modify or alter or permit anyone else to modify or alter the loader, loader mounting kit, any of its components or any loader function.
- Tractor must be equipped with ROPS or ROPS CAB and seat belt. Keep seat belt securely fastened. Falling off tractor can result in death from being run over or crushed. Keep foldable ROPS systems in "locked up" position at all times.
- Always sit in tractor seat when operating controls or starting engine. Securely fasten seat belt, place transmission in park or neutral, engage brake and ensure all other controls are disengaged before starting tractor engine.
- Before dismounting tractor or performing any service or maintenance, disengage power to implement, lower the 3-point hitch

and all raised components to the ground, operate valve levers to release any hydraulic pressure, stop engine, set parking brake, remove key, and unfasten seat belt.

## MAINTENANCE SAFETY

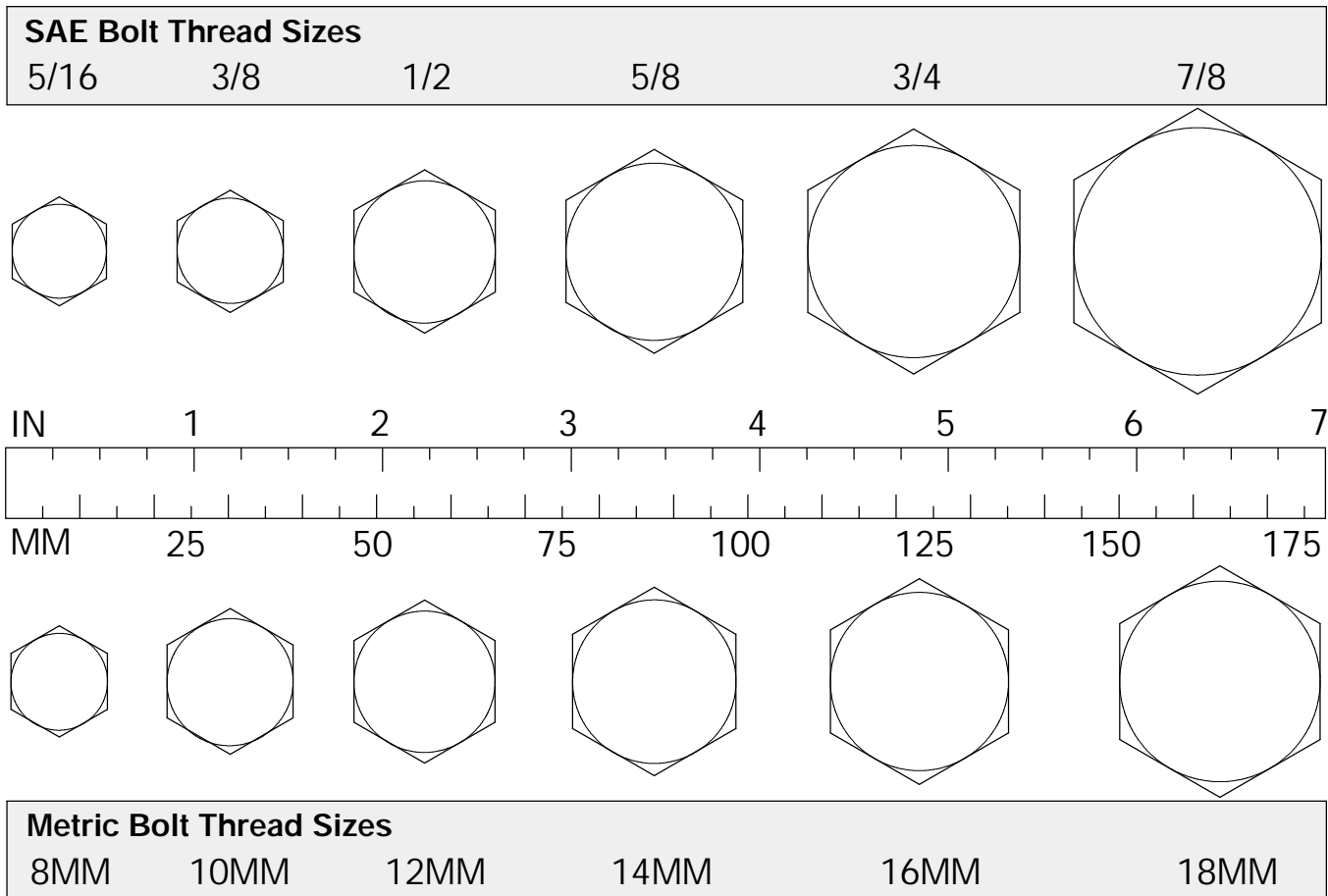
- Before dismounting tractor or performing any service or maintenance, disengage power to implement, lower the 3-point hitch and all raised components to the ground, operate valve levers to release any hydraulic pressure, stop engine, set parking brake, remove key, and unfasten seat belt.
- Your dealer can supply original equipment hydraulic accessories and repair parts. Substitute parts may not meet original equipment specifications and may be dangerous.
- Always wear relatively tight and belted clothing to avoid entanglement in moving parts. Wear sturdy, rough-soled work shoes and protective equipment for eyes, hair, hands, hearing and head.
- Keep all persons away from operator control area while performing adjustments, service or maintenance.
- Tighten all bolts, nuts and screws, and check that all cotter pins are installed securely to ensure equipment is in a safe condition before operating.
- Ensure shields and guards are properly installed and in good condition. Replace if damaged.

---

## NOTES

# BOLT SIZE CHART

**NOTE:** Chart shows bolt thread sizes and corresponding head (wrench) sizes for standard SAE and Metric Bolts.



## ABBREVIATIONS

ATF ..... Automatic Transmission Fluid  
 CE ..... Conforms to European  
 Community Machinery Safety  
 Directive 89/392/EEC  
 CV ..... Constant Velocity  
 F ..... Female  
 GA ..... Gauge  
 GR (5, etc.) ..... Grade (5, etc.)  
 GPM ..... Gallons Per Minute  
 HT ..... Heat Treated  
 m ..... Meter  
 mm ..... Millimeter  
 M ..... Male  
 MPa ..... Mega Pascal  
 N ..... Newton

NC ..... National Coarse  
 NF ..... National Fine  
 NPSM ..... National Pipe Straight  
 Mechanical  
 NPT ..... National Pipe Thread  
 P ..... Pitch  
 psi ..... Pounds per Square Inch  
 PTO ..... Power Take Off  
 ROPS ..... Roll Over Protective  
 Structure  
 SAE ..... Society of Automotive  
 Engineers  
 UNC ..... Unified Coarse  
 UNF ..... Unified Fine  
 UNS ..... Unified Special

# BOLT TORQUE CHART

After every ten (10) hours of operation, check all hardware and tighten where required.

## SAE Series Torque Chart

DO NOT use these values if a different torque value or tightening procedure is listed for a specific application. Torque values listed are for general use only.

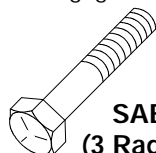
Fasteners should be replaced with the same grade.

Make sure fastener threads are clean and you properly start thread engagement. This will prevent them from failing when tightening.

### SAE Bolt Head Identification



**SAE Grade 2  
(No Dashes)**



**SAE Grade 5  
(3 Radial Dashes)**



**SAE Grade 8  
(6 Radial Dashes)**

Bolt Diameter "A"	Wrench Size	MARKING ON HEAD					
		SAE 2		SAE 5		SAE 8	
		Lbs.-Ft.	(N-m)	Lbs.-Ft.	(N-m)	Lbs.-Ft.	(N-m)
1/4"	7/16"	6	(8)	11	(15)	14	(19)
5/16"	1/2"	13	(18)	21	(28)	25	(34)
3/8"	9/16"	23	(31)	38	(52)	55	(75)
7/16"	5/8"	37	(50)	55	(75)	80	(110)
1/2"	3/4"	57	(77)	85	(115)	120	(165)
9/16"	13/16"	82	(111)	125	(170)	180	(245)
5/8"	15/16"	111	(150)	175	(240)	230	(310)
3/4"	1-1/8"	200	(270)	300	(410)	440	(600)
7/8"	1-5/16"	280	(380)	450	(610)	720	(975)
1"	1-1/2"	350	(475)	680	(925)	1035	(1400)
1-1/8"	1-11/16"	450	(610)	885	(1200)	<p>Bolt Diameter</p>	
1-1/4"	1-7/8"	600	(815)	1255	(1700)		
1-3/8"	2-1/16"	675	(915)	1620	(2200)		
1-1/2"	2-1/4"	920	(1250)	2200	(2900)		

## Metric Series Torque Chart

Use only metric tools on metric hardware. Other tools may not fit properly. They may slip and cause injury.

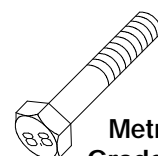
DO NOT use these values if a different torque value or tightening procedure is listed for a specific application. Torque values listed are for general use only.

Fasteners should be replaced with the same grade.

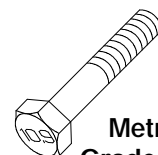
Make sure fastener threads are clean and you properly start thread engagement. This will prevent them from failing when tightening.

Bolt Diameter "A"	Wrench Size	MARKING ON HEAD			
		8.8		10.9	
		N-m	(Lbs.-Ft.)	N-m	(Lbs.-Ft.)
5 mm	8 mm	6	(4.5)	9	(6.5)
6 mm	10 mm	10	(7.5)	15	(11)
8 mm	13 mm	25	(18)	35	(26)
10 mm	16 mm	50	(37)	75	(55)
12 mm	18 mm	85	(63)	130	(97)
14 mm	21 mm	110	(80)	150	(110)
16 mm	24 mm	215	(159)	315	(232)
20 mm	30 mm	435	(321)	620	(457)
24 mm	36 mm	750	(553)	1070	(789)
30 mm	46 mm	1495	(1103)	2130	(1571)

### Metric Bolt Head Identification



**Metric Grade 8.8**



**Metric Grade 10.9**

# MOUNTING INSTRUCTIONS

Safety is a primary concern in the design and manufacture of our products. Unfortunately, our efforts to provide safe equipment can be wiped out by a single careless act of an operator.

In addition to the design and configuration of equipment, hazard control and accident prevention are dependent upon the awareness, concern, prudence and proper training of personnel involved in the operation, transport, maintenance and storage of equipment.

It has been said *"The best safety device is an informed, careful operator."* We ask you to be that kind of an operator.

The 111307 Loader Mounting Kit fits John Deere 5500 tractors for use with a DuAI 195 Loader. The 118460 Loader Mounting Kit fits John Deere 5500 tractors for use with a DuAI 215 loader. The 199758 Hydraulic Hose Kit fits John Deere 5500 tractors with 195 or 215 Loaders. Refer to DuAI 195 or 215 Loader Operator's Manual for loader assembly instructions. Use instructions in this manual for installing loader mounting kits and hydraulic hose kit.

Shut off engine and set parking brake during installation.

If equipped, remove the front end weight bracket and toolbox from tractor.

## WARNING

■ **Safety instructions are important! Read this manual and the DuAI Loader manual and follow all safety rules and safety decals. (Replacement manuals are available from dealer or call 1-800-319-6637.) Failure to follow instructions or safety rules can result in serious injury or death.**

■ **Do not modify or alter or permit anyone else to modify or alter the loader, loader mounting kit, any of its components or any loader function.**

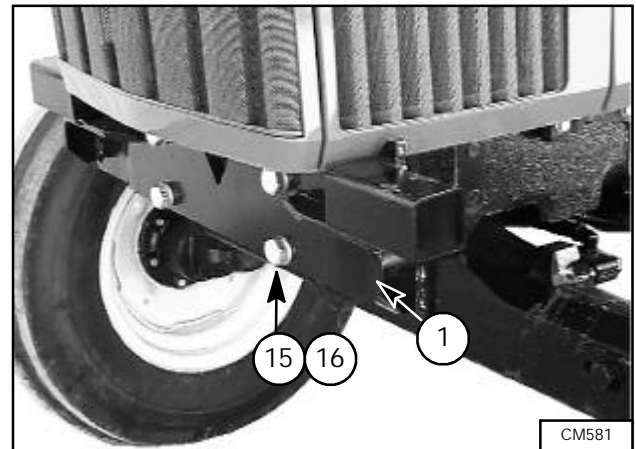
■ **Keep all persons away from operator control area while performing adjustments, service or maintenance.**

## CAUTION

■ **Always wear relatively tight and belted clothing to avoid entanglement in moving parts. Wear sturdy, rough-soled work shoes and protective equipment for eyes, hair, hands, hearing and head.**

## Front Mount Attachment – 195 Loader

Attach the front mount (1) to the front of the tractor bolster and secure with four cap screws (16) and lockwashers (15). Tighten all fasteners securely.

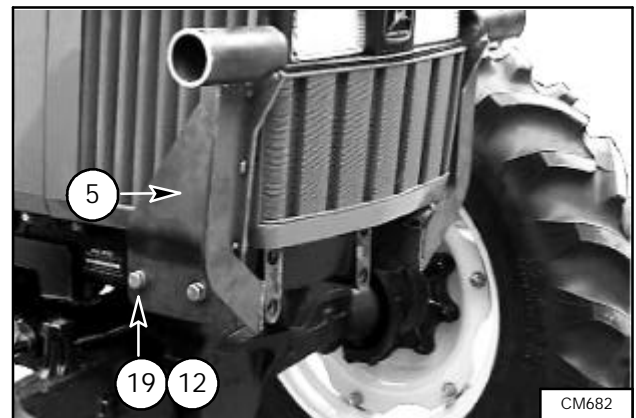


1. Front Mount
15. 3/4" Lockwasher
16. 3/4 NC x 3" Hex head cap screw GR5

**Figure 1.** Front Mount Attachment – 195 Loader

## Front Mount Attachment – 215 Loader

Attach the right front mount (5) to the tractor frame and secure with two cap screws (19) and lockwashers (12). Repeat for opposite side. Tighten all fasteners securely.

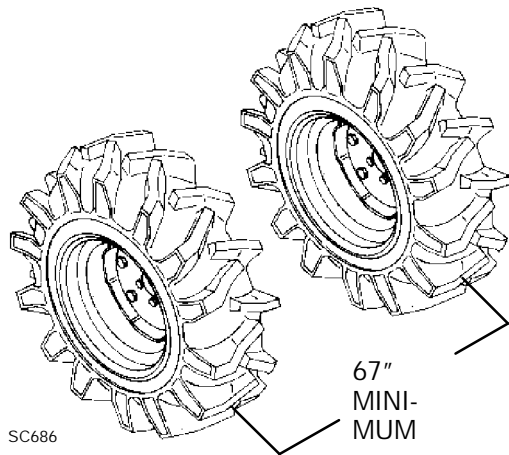


5. Right front mount
12. 5/8" Lockwasher
19. 5/8 NC x 2" Hex head cap screw GR5

**Figure 2.** Front Mount Attachment – 215 Loader



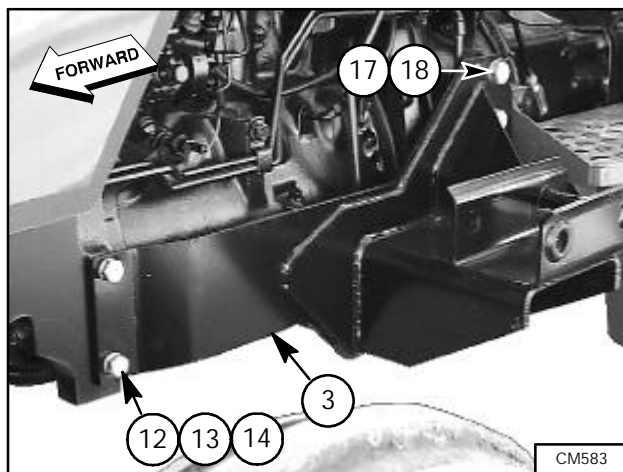
To provide clearance for mounting the 215 loader, adjust the front tractor tires to a minimum 67" tread or to the manufacturer's widest recommended setting. This also provides increased tractor stability.



**Figure 3. Tire Adjustment – 215 Loader Only**

### Rear Mount Attachment – 195 Loader

Attach the front of the left rear mount (3) to the side of the tractor frame as shown and secure with two cap screws (14), washers (13) and lockwashers (12). Secure the rear of the left rear mount to the tractor with four cap screws (18) and lockwashers (17). Repeat for opposite side. Do not tighten fasteners until all adjustments are complete.

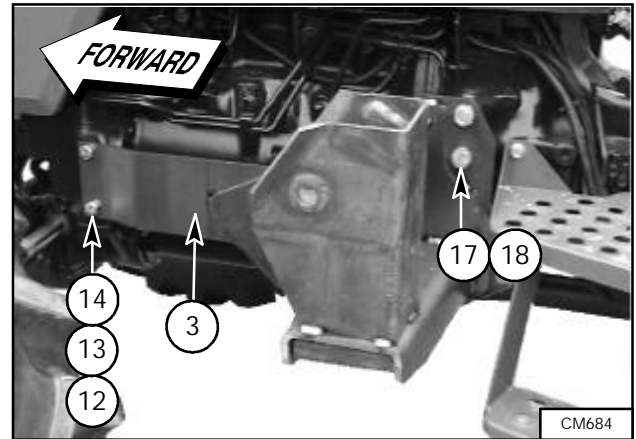


- 3. Left rear mount
- 12. 5/8" Lockwasher
- 13. 5/8" Standard flat washer
- 14. 16mm x 2P x 35mm Hex head cap screw
- 17. 20mm Lockwasher
- 18. 20mm x 2.5P x 50mm Hex head cap screw

**Figure 4. Rear Mount Attachment – 195 Loader**

### Rear Mount Attachment – 215 Loader

Attach the front of the left rear mount (3) to the tractor frame as shown and secure with two cap screws (14), washers (13) and lockwashers (12). Secure the rear of the left rear mount to the tractor with four cap screws (18) and lockwashers (17). Repeat for opposite side. Do not tighten fasteners until all adjustments are complete.

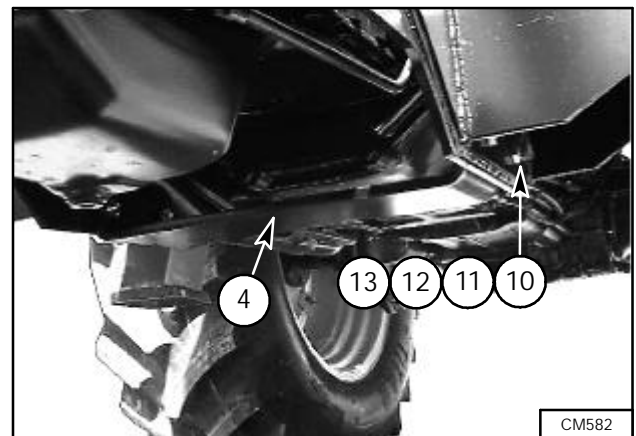


- 3. Left rear mount
- 12. 5/8" Lockwasher
- 13. 5/8" Standard flat washer
- 14. 16mm x 2P x 35mm Hex head cap screw
- 17. 20mm Lockwasher
- 18. 20mm x 2.5P x 50mm Hex head cap screw GR5

**Figure 5. Rear Mount Attachment – 215 Loader**

### Crossmember Link Attachment

Attach the crossmember link (4) to the rear mounts as shown and secure with cap screws (11), washers (13), lockwashers (12) and hex nuts (10). Tighten all fasteners securely.



- 4. .50 x 6.00 x 18.87" U-Link
- 10. 14mm x 1.5P Hex nut
- 11. 14mm x 1.5P x 50mm Hex head cap screw
- 12. 5/8" Lockwasher
- 13. 5/8" Standard flat washer

**Figure 6. Crossmember Link Attachment**

## Hydraulic Hose Installation Instructions

### WARNING

■ Keep hands and body away from pressurized lines. Use paper or cardboard, not body parts to check for leaks. Wear safety goggles. Hydraulic fluid (oil) under pressure will easily penetrate skin and can cause serious injury or death.

■ Make sure that all operating and service personnel know that in the event hydraulic fluid penetrates skin, it must be surgically removed within a few hours by a doctor familiar with this form of injury, or gangrene, serious injury or death can result. **CONTACT A PHYSICIAN IMMEDIATELY IF FLUID ENTERS SKIN OR EYES.**

■ Make sure all hydraulic hoses, fittings and valves are in good condition and not leaking before starting power unit or using equipment. Check and route hoses carefully to prevent damage. Hoses must not be twisted, bent sharply, kinked, frayed, pinched, or come into contact with any moving parts. Operate moveable components through full operational range to check clearances. Replace any damaged hoses immediately.

■ Air in hydraulic systems can cause erratic operation and allows loads or equipment components to drop unexpectedly. Before operating or allowing anyone to approach the equipment, purge any air in the system by operating all hydraulic functions several times after connecting equipment, connecting hoses, or doing any hydraulic maintenance.

Refer to page 11. A hose kit is available that will attach the loader feed lines directly into the rear tractor hydraulic ports. Prepare each hose assembly (1) by attaching a 90° swivel (2) and male quick-disconnect (3) onto the end of hose (without protector sleeve). Attach the opposite end of the hydraulic hose (with protector sleeve) into the loader feed lines.

Refer to illustration on page 10 for the proper orientation of the hoses.

Connect the end of the hose with the quick disconnect coupler into the female couplers on the rear of the tractor to complete the circuit, as shown in Figure 7.

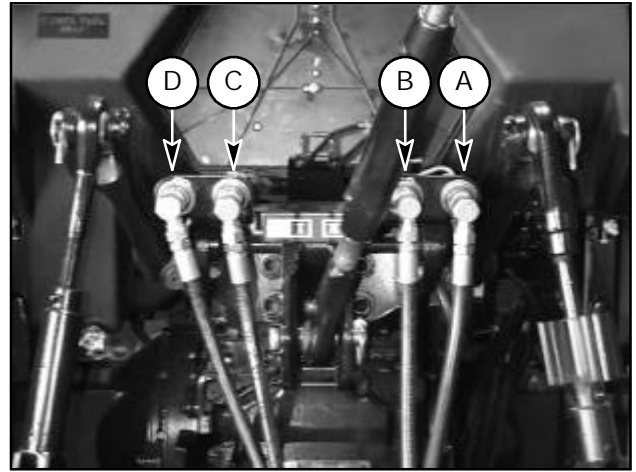


Figure 7. Hose Connection to Tractor

Once all hoses are connected, start the tractor and run the loader valve lever to check for leaks and purge any remaining air from the hydraulic system.

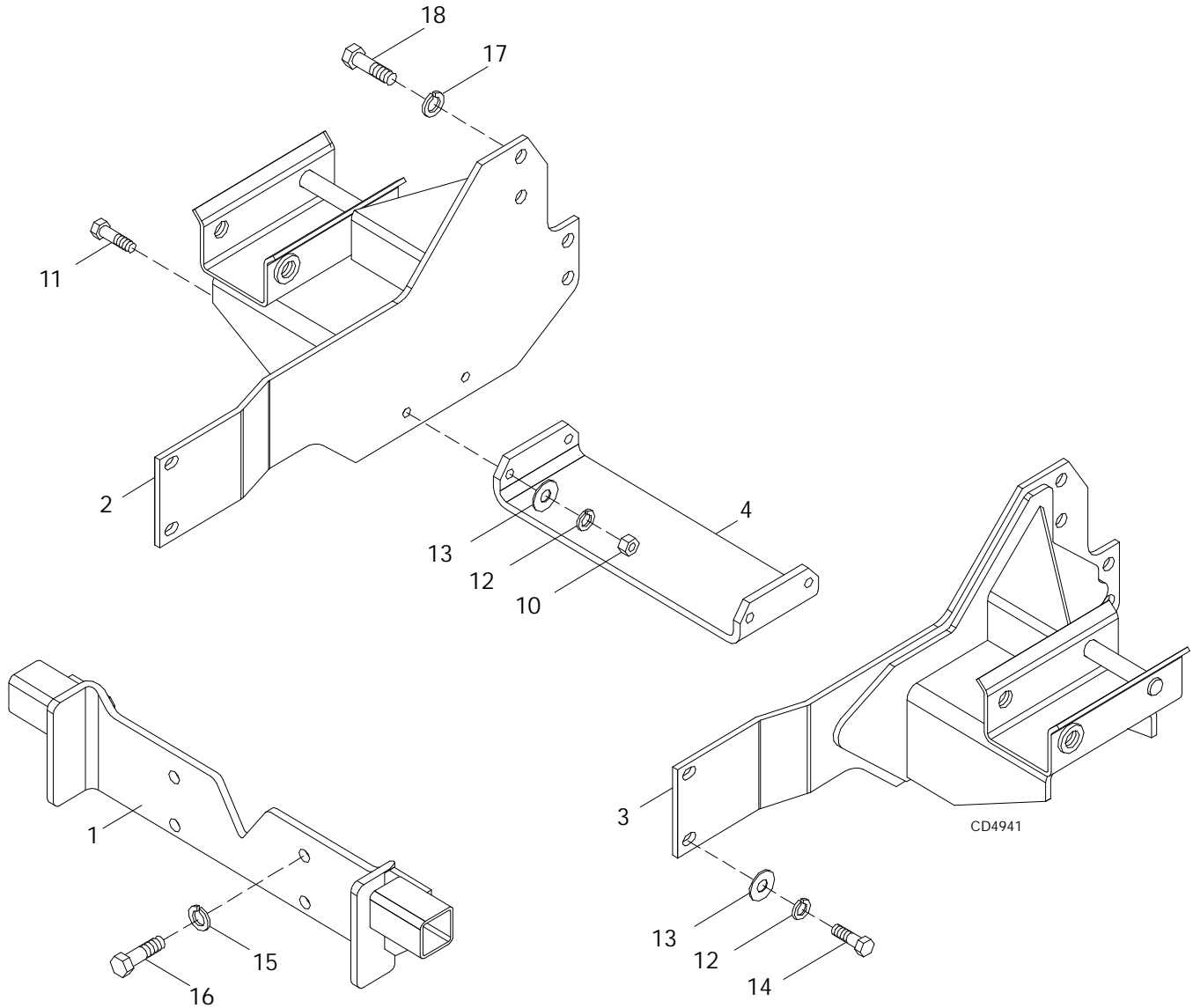
Check to be sure the valve handle directions correspond with the motion of the loader. See chart on page 11.

Once all hose routings are verified, identify each circuit by placing a matching colored band around the male and female quick disconnect couplers. The color coded bands will make re-installation easier when the loader is removed from the tractor.

Attach the plastic tie straps (included in kit) around the hoses to keep them tightly bundled and away from contact with the ground or other moving parts on the tractor or loader. Be sure that adequate slack is left in the hoses so they can move as the loader moves through its full range of motion.

**Refer to either the 195 or 215 Loader Operator's Manual to complete the loader installation.**

# #111307 LOADER MOUNTING KIT



Ref No	Part No	No Used	Description
1	53631	1	Front mount
2	53306-1	1	Right rear mount
3	53307-1	1	Left rear mount
4	53264	1	.50 x 6.00 x 18.87 U-Link

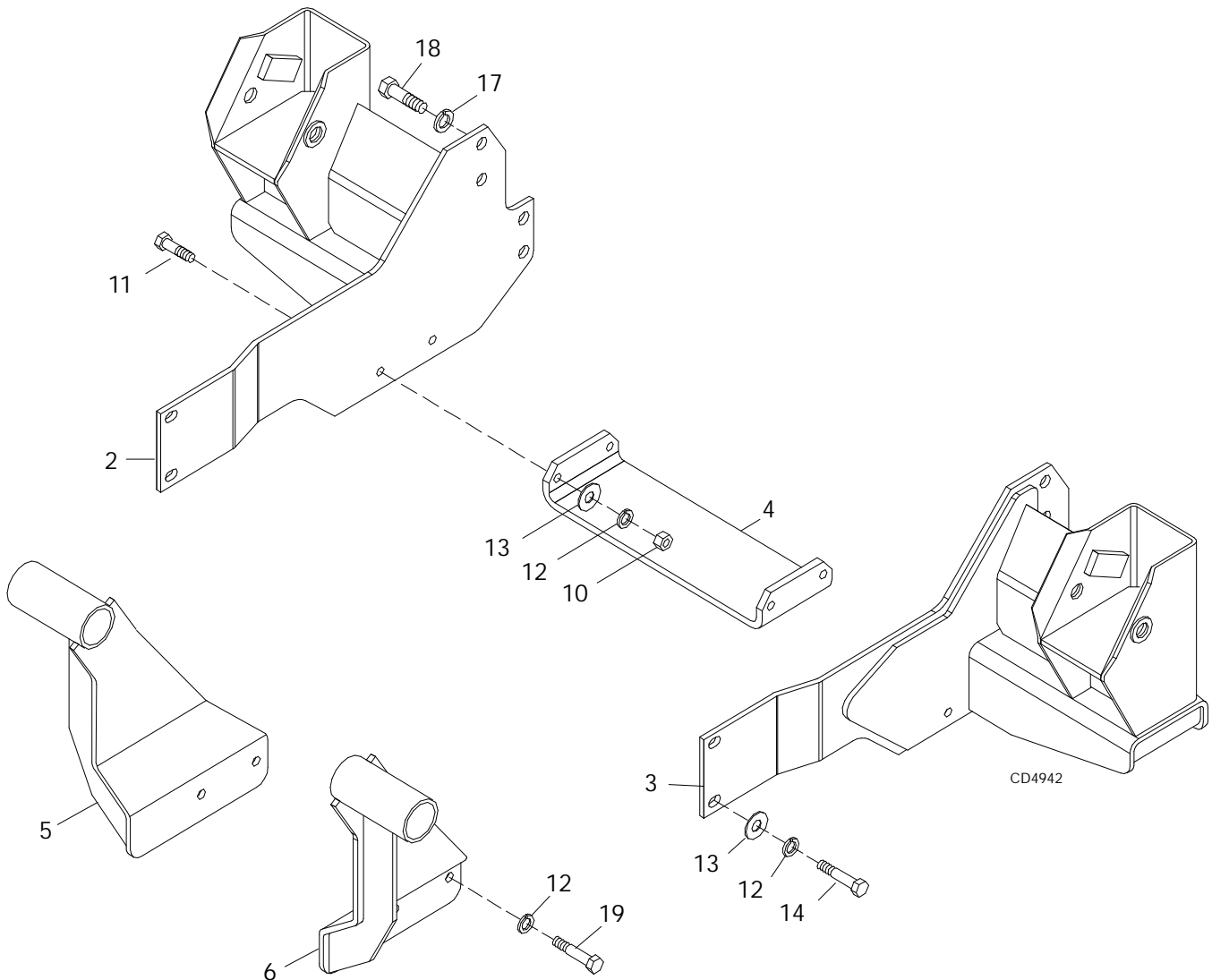
## HARDWARE

Ref No	Part No	Description
10	43104 *	14mm x 1.5P Hex nut
11	65541	14mm x 1.5P x 50mm Hex head cap screw

Ref No	Part No	Description
12	1286 *	5/8 Lockwasher, plated
13	692 *	5/8 Flat washer plated
14	23446	16mm x 2.0P x 35mm Hex head cap screw
15	2522 *	3/4 Lockwasher
16	14334	3/4 NC x 3 Hex head cap screw GR5
17	308020	20mm Lockwasher, plated
18	307553	20mm x 2.5P x 50mm Hex head cap screw

\*Obtain Locally

# #118460 LOADER MOUNTING KIT



Ref No	Part No	No Used	Description
2	53808	1	Right rear mount
3	53809	1	Left rear mount
4	53264	1	.50 x 6.00 x 18.87 U-Link
5	53820	1	Right front mount
6	53821	1	Left front mount

## HARDWARE

Ref No	Part No	Description
10	43104 *	14mm x 1.5P Hex nut
11	65541	14mm x 1.5P x 50mm Hex head cap screw

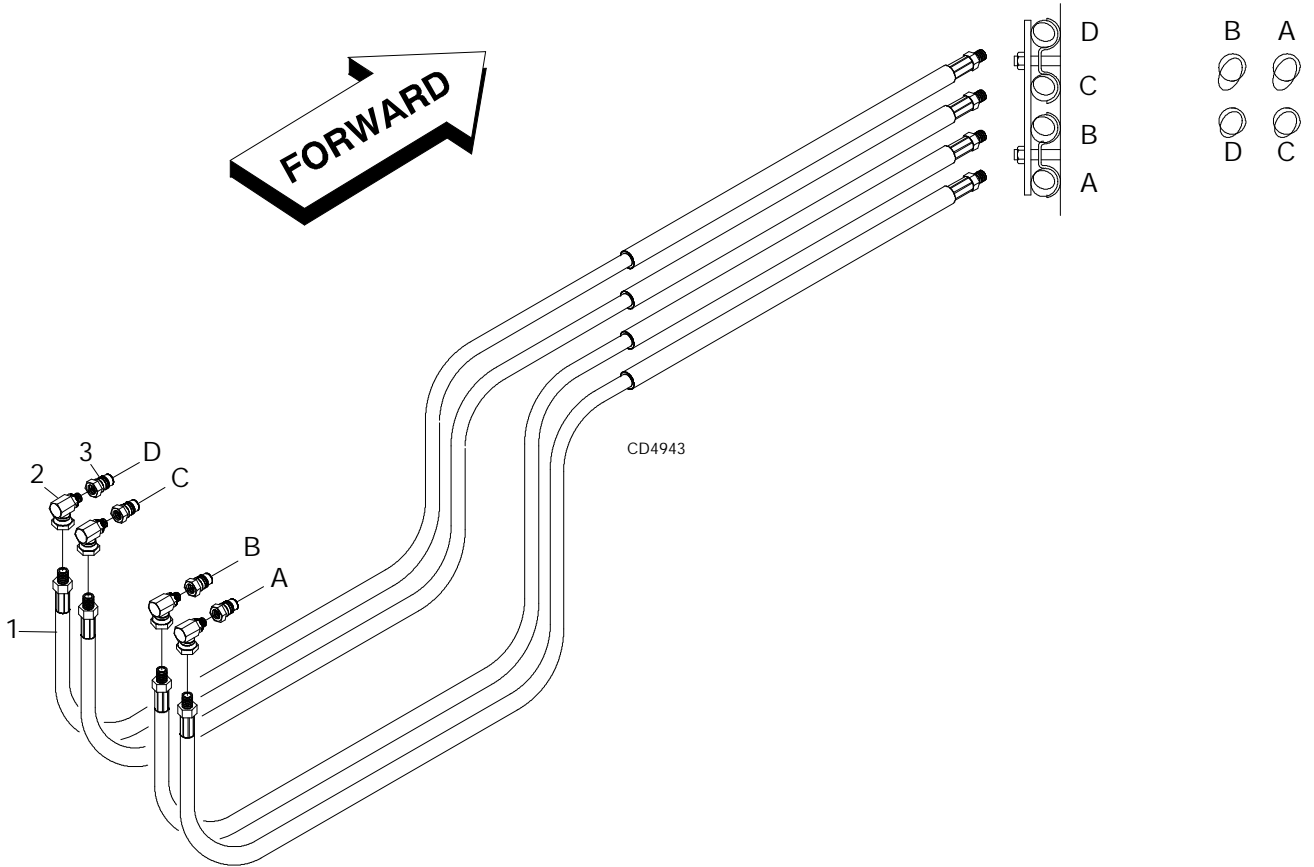
Ref No	Part No	Description
12	1286 *	5/8 Lockwasher, plated
13	692 *	5/8 Flat washer plated
14	23446	16mm x 2.0P x 35mm Hex head cap screw
17	308020	20mm Lockwasher plated
18	307553	20mm x 2.5P x 50mm Hex head cap screw
19	902 *	5/8 NC x 2 Hex head cap screw GR5

\*Obtain Locally

# #199758 HYDRAULIC HOSE KIT

215 LOADER

195 LOADER



Ref No	Part No	No Used	Description
1	53670	4	Hose - 3/8, 150", 3/4 JICM x 3/4 JICM with vinyl protector
2	31-3053	4	90° Swivel elbow
3	66511	4	Quick coupler - male

Items Not Shown		
Part No	No Used	Description
39-5063	2	Plastic spiral band - orange
39-5062	2	Plastic spiral band - blue
39-5061	2	Plastic spiral band - red
89	4	Plastic tie

LOADER VALVE FUNCTION CHART	
HANDLE FORWARD	BOOM DOWN
HANDLE REARWARD	BOOM UP
HANDLE LEFT	BUCKET ROLLBACK
HANDLE RIGHT	BUCKET DUMP

# NOTES

# WARRANTY

Please enter information below and **SAVE FOR FUTURE REFERENCE.**

Date Purchased: \_\_\_\_\_ From (Dealer): \_\_\_\_\_

Model Number: \_\_\_\_\_ Serial Number: \_\_\_\_\_

WOODS warrants each new WOODS product to be free from defects in material and workmanship. This warranty is applicable only for the normal service life expectancy of the machine or components, not to exceed twelve consecutive months from the date of delivery of the new WOODS product to the original purchaser.

Genuine WOODS replacement parts and components will be warranted for 90 days from date of purchase, or the remainder of the original equipment warranty period, whichever is longer.

Under no circumstances will it cover any merchandise or components thereof, which, in the opinion of the company, has been subjected to negligent handling, misuse, alteration, an accident, or if repairs have been made with parts other than those obtainable through WOODS.

The company in no way warrants engines, batteries, tires or other trade accessories since these items are warranted separately by their respective manufacturers.

Our obligation under this warranty shall be limited to repairing or replacing, free of charge to the original purchaser, any part that in our judgement shall show evidence of such defect, provided further that such part shall be returned within thirty (30) days from date of failure to WOODS, routed through the dealer and distributor from whom the purchase was made, transportation charges prepaid.

This warranty shall not be interpreted to render us liable for injury or damages of any kind or nature to person or property. This warranty does not extend to loss of crops, loss because of delay in harvesting, or any expense or loss incurred for labor, supplies, substitute machinery, rental or for any other reason.

Except as set forth above, WOODS SHALL HAVE NO OBLIGATION OR LIABILITY OF ANY KIND ON ACCOUNT OF ANY OF ITS EQUIPMENT AND SHALL NOT BE LIABLE FOR SPECIAL OR CONSEQUENTIAL DAMAGES. WOODS MAKES NO OTHER WARRANTY, EXPRESS OR IMPLIED, AND, SPECIFICALLY, WOODS DISCLAIMS ANY IMPLIED WARRANTY OF MERCHANTABILITY OR FITNESS FOR A PARTICULAR PURPOSE. SOME STATES OR PROVINCES DO NOT PERMIT LIMITATIONS OR EXCLUSIONS OF IMPLIED WARRANTIES OR INCIDENTAL OR CONSEQUENTIAL DAMAGES, SO THE LIMITATIONS OR EXCLUSIONS IN THIS WARRANTY MAY NOT APPLY.

This warranty is subject to any existing conditions of supply which may directly affect our ability to obtain materials or manufacture replacement parts.

WOODS reserves the right to make improvements in design or changes in specifications at any time, without incurring any obligations to owners of units previously sold.

No one is authorized to alter, modify, or enlarge this warranty nor the exclusions, limitations and reservations.

## Woods Equipment Company

2606 Illinois Route 2 South  
Post Office Box 1000  
Oregon, Illinois 61061

815-732-2141 tel  
815-732-7580 fax

The logo for Woods Equipment Company, featuring the word "WOODS" in a bold, black, sans-serif font. The letters are slightly shadowed, giving it a three-dimensional appearance.

**PART NUMBER**  
**53661**

**Woods Equipment  
Company**

2606 Illinois Route 2 South  
Post Office Box 1000  
Oregon, Illinois 61061

815-732-2141 tel  
815-732-7580 fax

**WOODS**

LITHO IN USA



## Free Manuals Download Website

<http://myh66.com>

<http://usermanuals.us>

<http://www.somanuals.com>

<http://www.4manuals.cc>

<http://www.manual-lib.com>

<http://www.404manual.com>

<http://www.luxmanual.com>

<http://aubethermostatmanual.com>

Golf course search by state

<http://golfingnear.com>

Email search by domain

<http://emailbydomain.com>

Auto manuals search

<http://auto.somanuals.com>

TV manuals search

<http://tv.somanuals.com>