

**MAN0115**

Rev. 8/17/2007

**SAVE THIS  
MANUAL!**

Include it with  
your Mow'n Machine  
Manual. It contains  
repair part information  
not found in other  
manuals.

**WOODS**

**MOW'N MACHINE**

**15 cu. ft. Metal Grasscatcher**

**For F-Series  
Power Units**

**WOODS®**

Tested. Proven. Unbeatable.

**INSTALLATION MANUAL**

## TO THE DEALER:

Assembly and proper installation of this product is the responsibility of the Woods® dealer. Read manual instructions and safety rules. Make sure all items on the Dealer's Pre-Delivery and Delivery Check Lists in the Operator's Manual are completed before releasing equipment to the owner.

The dealer must complete the Product Registration included with the Operator's Manual. The customer must sign the registration which certifies that all Dealer Check List items have been completed. The dealer is to return the prepaid postage portion to Woods, give one copy to the customer, and retain one copy. **Failure to complete and return this card does not diminish customer's warranty rights.**

## TO THE OWNER:

Read this manual before operating your Woods equipment. The information presented will prepare you to do a better and safer job. Keep this manual handy for ready reference. Require all operators to read this manual carefully and become acquainted with all adjustment and operating procedures before attempting to operate. Replacement manuals can be obtained from your dealer. To locate your nearest dealer, check the Dealer Locator at [www.WoodsEquipment.com](http://www.WoodsEquipment.com), or in the United States and Canada call 1-800-319-6637.

The equipment you have purchased has been carefully engineered and manufactured to provide dependable and satisfactory use. Like all mechanical products, it will require cleaning and upkeep. Lubricate the unit as specified. Observe all safety information in this manual and safety decals on the equipment.

For service, your authorized Woods dealer has trained mechanics, genuine Woods service parts, and the necessary tools and equipment to handle all your needs.

Use only genuine Woods service parts. Substitute parts will void the warranty and may not meet standards required for safe and satisfactory operation. Record the model number and serial number of your equipment in the spaces provided:

**Model:** \_\_\_\_\_ **Date of Purchase:** \_\_\_\_\_

**Serial Number: (see Safety Decal section for location)** \_\_\_\_\_

Provide this information to your dealer to obtain correct repair parts.

Throughout this manual, the term **NOTICE** is used to indicate that failure to observe can cause damage to equipment. The terms **CAUTION**, **WARNING**, and **DANGER** are used in conjunction with the Safety-Alert Symbol (a triangle with an exclamation mark) to indicate the degree of hazard for items of personal safety.



This is the safety alert symbol. It is used to alert you to potential personal injury hazards. Obey all safety messages that follow this symbol to avoid possible injury or death.



Indicates a hazardous situation which, if not avoided, will result in death or serious injury.



Indicates a hazardous situation which, if not avoided, could result in death or serious injury.



Indicates a hazardous situation which, if not avoided, could result in minor or moderate injury.

**IMPORTANT**  
or **NOTICE**

Is used to address practices not related to personal injury.

**NOTE**

Indicates helpful information.

**WOODS®**

**ALITEC™**

**BMP®**

**CENTRAL FABRICATORS®**

**GANNON®**

**GILL®**

**WAIN-ROY®**

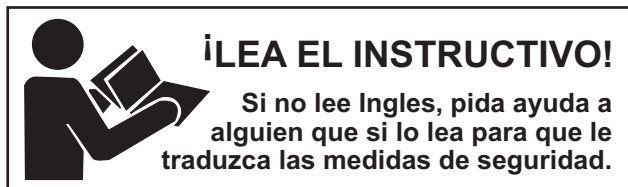
**WOODS®**

## 2 Introduction

Gen'1 (Rev. 7/20/2007)

# HOPPER ASSEMBLY

## ASSEMBLE HOPPER



■ Only use grass collection system with dual tail-wheel option.

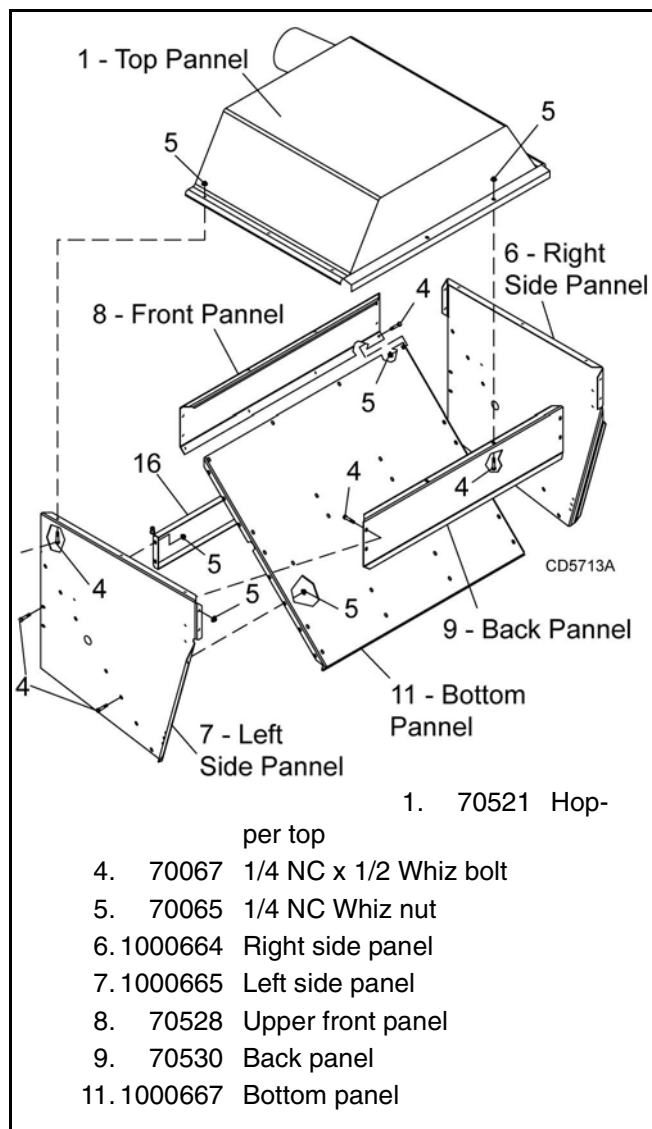


Figure 1. Hopper Assembly

Assembly of hopper will be easier if assembled upside down on a flat surface, see Figure 2. Note that Figure 1 shows hopper in the upright position.

**NOTE:** When assembling the hopper, make sure bolts that will interfere with grass clippings are installed with heads on the inside. This will prevent clippings from catching on bolts when the grasscatcher is dumped.

Leave hardware loose until hopper is assembled.

1. Lay top section upside down on a flat surface, using Figure 1 as a guide for assembly.

**NOTE:** Do not install bolts in side holes where upper and lower crossmembers will mount (refer to Figure 4, items 12 & 15).

2. Attach side panels (6, 7), upper front panel (8) and back panel (9) to hopper top (1). Make sure side panel corners are outside the front and back panels as shown in Figure 2.

3. Fasten bottom panel (11) to the side panels and to the outside of the front panel (Figure 1).

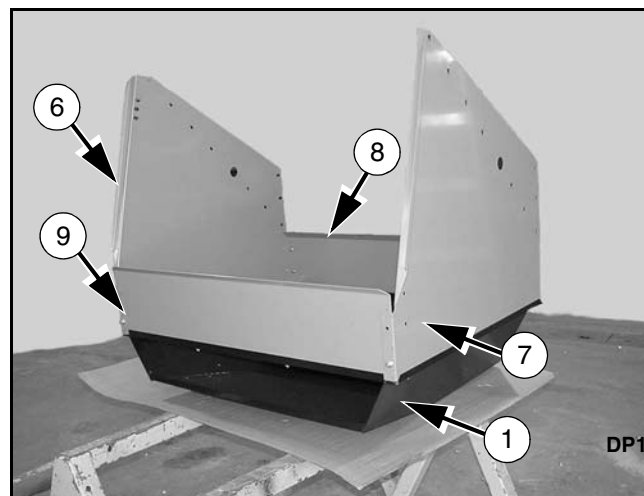


Figure 2. Assemble Hopper Upside Down

## INSTALL CROSSMEMBERS

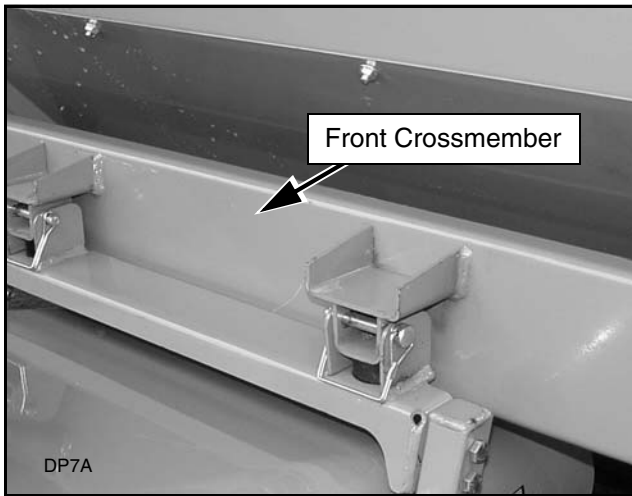


Figure 3. Side Panel & Front Crossmember Installed

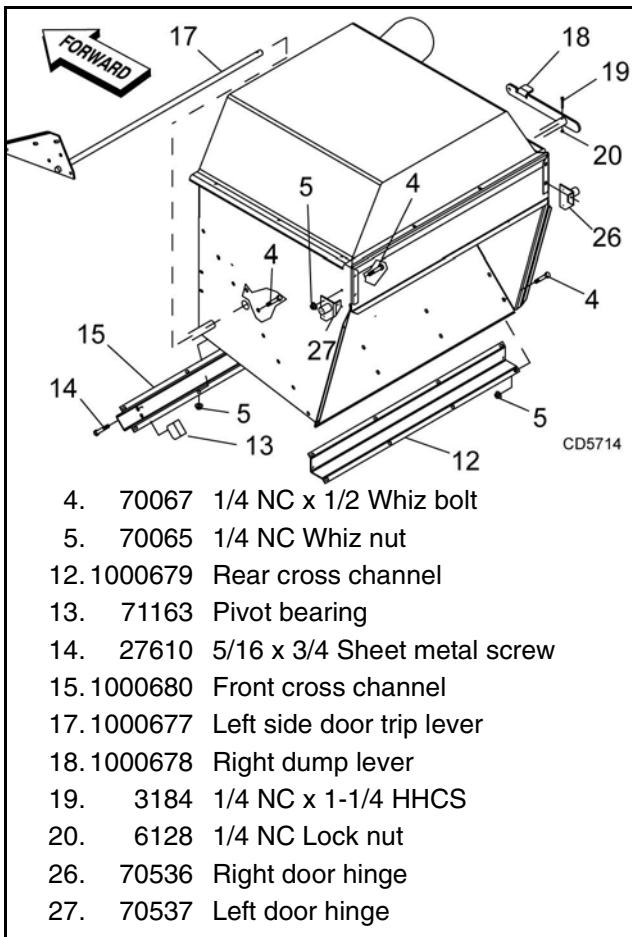


Figure 4. Crossmember Installation

**NOTE:** Hopper should still be upside down. Do not tighten hardware.

1. Install front crossmember (16) between right and left side panels. Install crossmember with brackets facing forward as shown in Figure 3.

2. Make sure two pivot bearings (13), (Figure 4) are attached to the inside of front cross channel (15) using sheet metal screws (14). Do not tighten at this time.
3. Slide left side door trip lever (17) through opening on left side panel, pivot bearings (13) attached to front cross channel (15), and right side panel.
4. Secure front cross channel (15) to bottom panel using whiz bolts (4) and whiz nuts (5). Tighten sheet metal screws.
5. Attach right dump lever (18) to door trip lever (17), so that both bars face forward. Secure using cap screw (19) and lock nut (20).
6. Mount rear cross channel (12) on outside of bottom panel using whiz bolts (4) and whiz nuts (5) as shown. Make sure pivot hinge is at the bottom.
7. Attach left and right door hinge mounts (26, 27) to back and side panels as shown in Figure 5. Use whiz bolt (10) and whiz nut (5) to secure hinge mount to back panel.

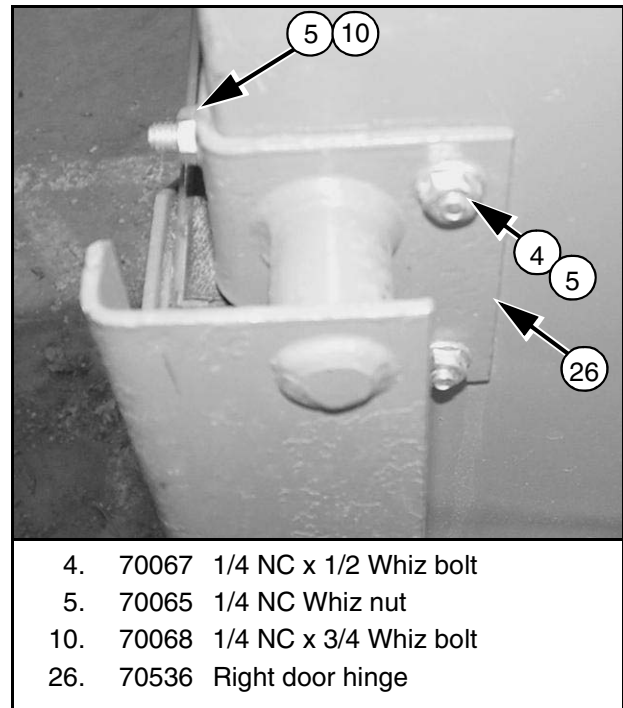


Figure 5. Right Door Hinge Mount Installation

## INSTALL DOOR

**NOTE:** 90° bend on latch bracket faces forward.

1. Attach latch brackets (28) to bottom of door (24).
2. Place nylon bearings (23) into door hinge mounts.
3. Insert both left and right door hinges (26, 27) into door hinge mounts.
4. Place door (24) over hinges and secure with whiz bolt (4, 10) and whiz nut (5).

5. Torque all hardware according to page 8.

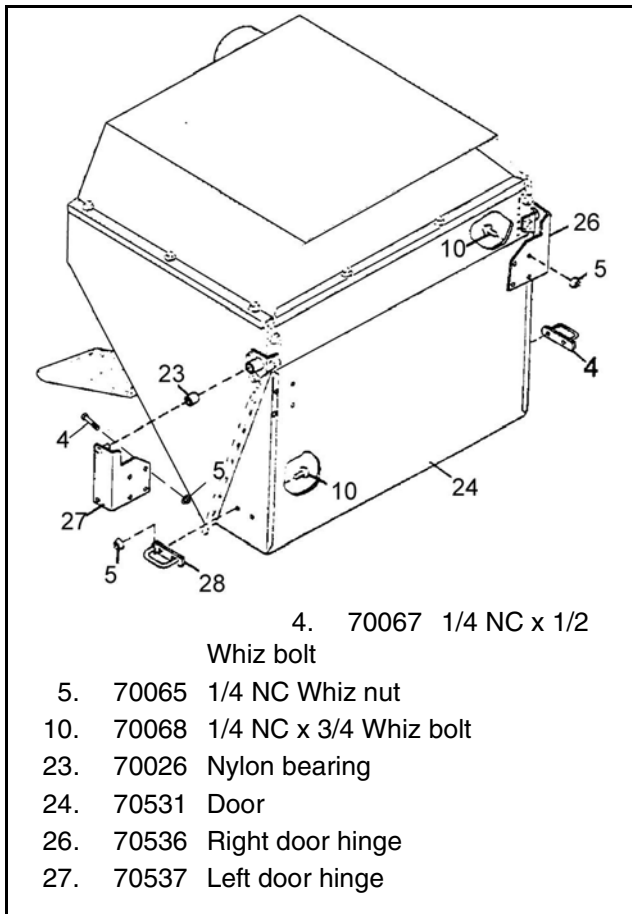


Figure 6. Door Assembly

### **INSTALL DOOR HANDLE**

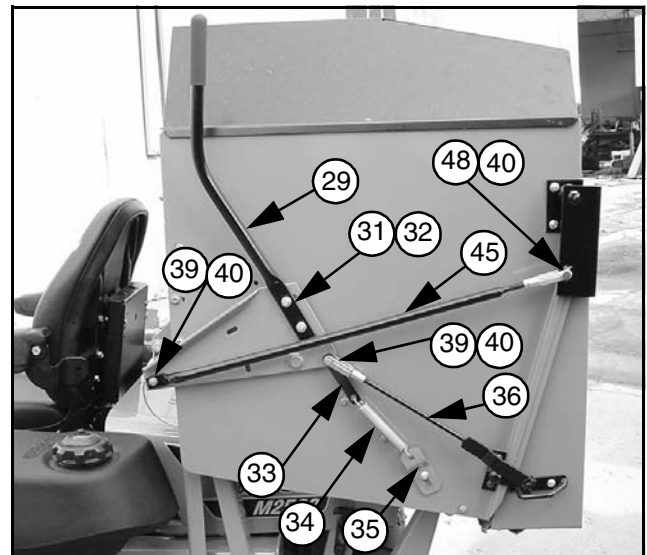
**NOTE:** Turn hopper assembly over and support in upright position.

1. Attach door handle (29) to left door handle mount as shown in Figure 7.
2. Install stop lever (49) and rubber bumper (50) to right side panel as shown in Figure 8.
3. Install latch pivot bracket (42) to both sides of grasscatcher as shown in Figure 8.
4. Attach door latches (44) to latch pivot brackets. Adjust latch brackets (28) so that the door latches will hold the door tightly shut (see Figure 8).

### **INSTALL LINKAGE**

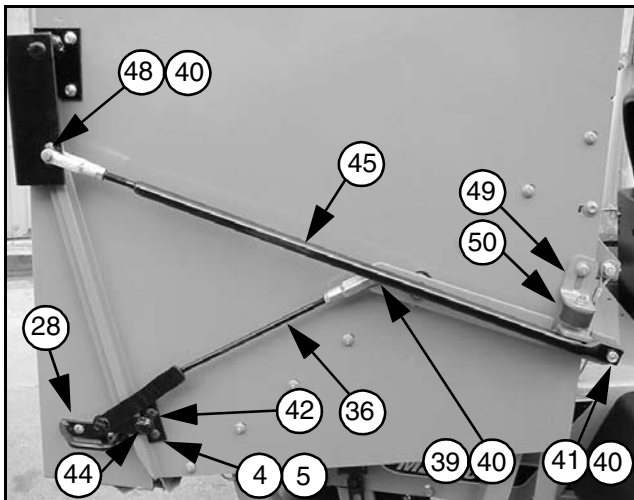
1. Attach door linkage rod (36) to both right and left door hinge as shown in Figure 7 and Figure 8. Place head of clevis pin to the outside.

2. Attach latch linkage rod (36) to both right and left door handle mount. Be sure to install spring bracket (35) into clevis when attaching left side (see Figure 7).
3. Attach opposite end of door linkage rod (45) to door handle mount.
4. Adjust linkage so that there is a slight amount of pressure holding the door closed when handle is snapped over center.
5. Attach opposite end of latch linkage rod to door latches.
6. Attach spring (34) to hole in side panel with spring anchor (35) on left side and to spring bracket (33) as shown in Figure 7.
7. Adjust latch linkage rods so that the door latches will release just before the door opens when the door handle is moved forward.



29. 70526 Hopper handle
31. 1686 3/8 NC x 3/4 HHCS
32. 15030 3/8 NC Flange lock nut
33. 70546 Link
34. 70834 Spring
35. 1001501 Spring anchor bracket
36. 70547 Linkage latch rod
39. 70024 Clevis pin, 5/16 x 25/32
40. 1326 Cotter pin, 1/8 x 1/2
45. 70548 Linkage door rod
48. 64151 Clevis pin, 3/8 x 1-1/8

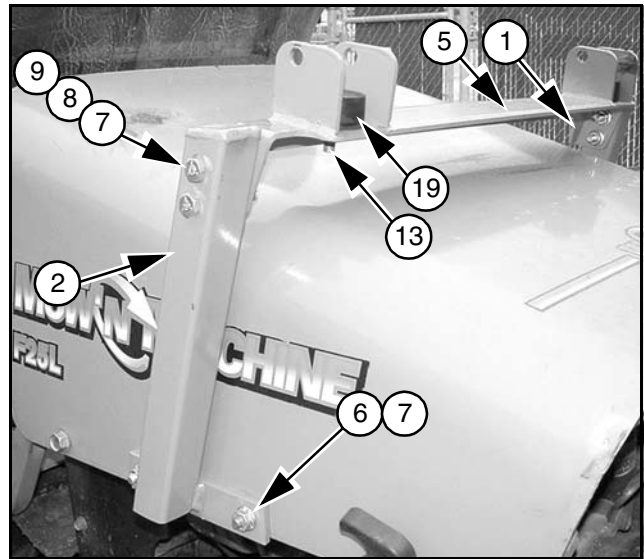
Figure 7. Left Side



- 4. 70067 1/4 NC x 1/2 Whiz bolt
- 5. 70065 1/4 NC Whiz nut
- 28. 70538 Latch bracket
- 36. 70547 Linkage latch rod
- 39. 70024 Clevis pin
- 40. 1326 Cotter pin, 1/8 x 1/2
- 41. 4378 5/16 Flat washer
- 42. 70543 Latch pivot bracket
- 44. 70545 Left side door latch
- 45. 70548 Linkage door rod
- 48. 64151 Clevis pin
- 49. 1000670 Lever stop
- 50. 71444 Rubber bumper

Figure 8. Right Side

5. Install rubber bumpers (19). Secure with flange lock nuts (13).



- 1. 74082 Right hopper support
- 2. 74083 Left hopper support
- 5. 74084 Cross brace
- 6. 920 3/8 NC x 1-3/4 Cap screw GR5
- 7. 15030 3/8 NC Flanged lock nut
- 8. 62153 3/8 NC Flanged screw
- 9. 565 Flat Washer
- 13. 14139 5/16 NC Flange lock nut
- 19. 71444 Rubber bumper

Figure 9. Hopper Mounting (Left Side Shown)

## INSTALL HOPPER SUPPORTS

1. Remove two center 3/8 NC x 3/4 hex washer head cap screws from both right and left side of hood assembly. **Note:** Drill completely through hood frame if not already done.
2. Attach left hopper support (2) to hood assembly. Secure using two cap screws (6) and flange screw (7) as shown in Figure 9.
3. Repeat steps 1 & 2 to install right support (1).
4. Install cross brace (5) between hopper supports. Secure with cap screws (8), washer (9), and lock nut (7). See Figure 10.

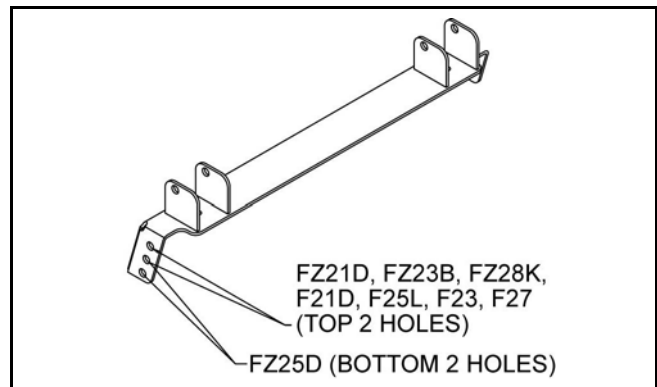


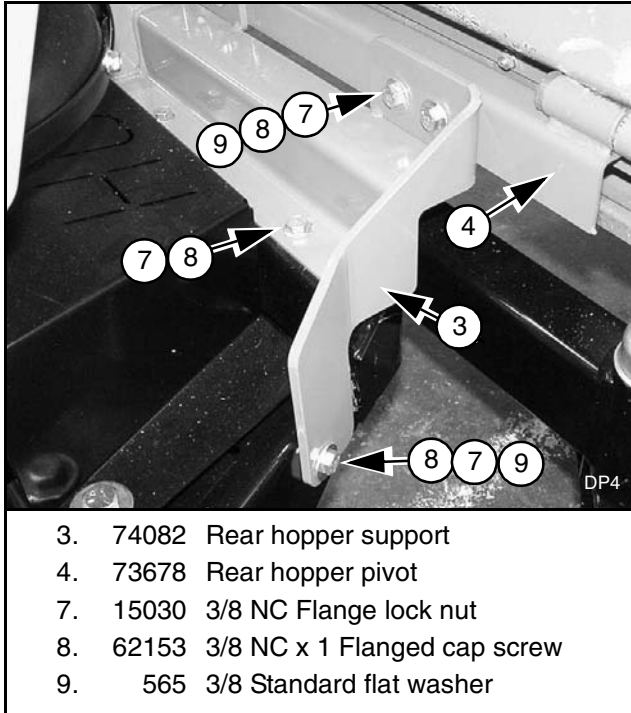
Figure 10. Mounting Bracket Instructions

# 6 Assembly

(Rev. 8/17/2007)  
MAN0115 (Rev. 3/31/2006)

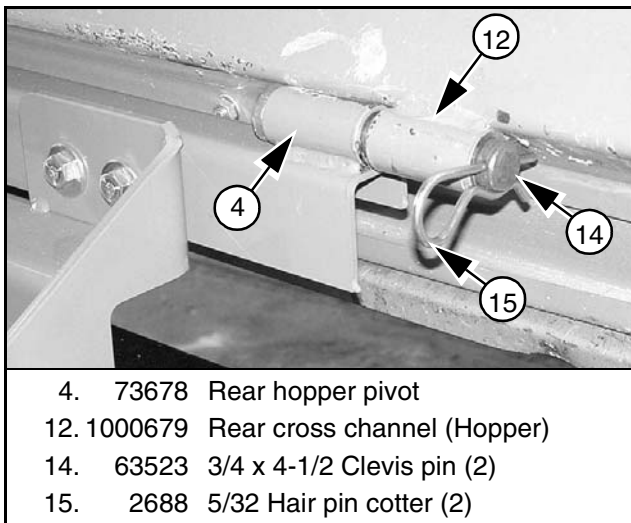
## INSTALL REAR HOPPER SUPPORT & REAR HOPPER PIVOT

1. Attach rear hopper support (3) to the rear of the power unit using four flanged head cap screws (8), standard flat washers (9), and two flange lock nuts (7) as shown in Figure 11.
2. Attach the rear hopper pivot (4) to the rear hopper support using four flanged head cap screws (8), washers (9), and flange lock nuts (7).



**Figure 11.** Rear Hopper Support & Rear Hopper Pivot

## MOUNT HOPPER ASSEMBLY

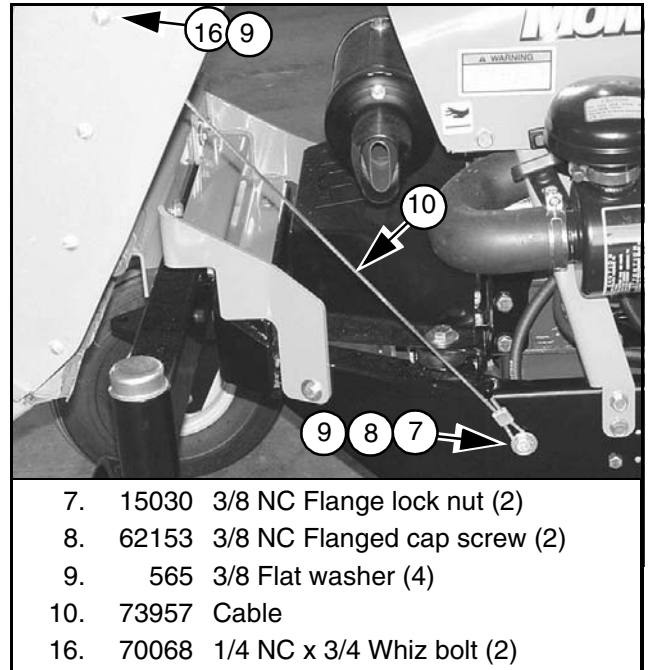


**Figure 12.** Hinge Pin Installed (Left Hinge Shown)

Align hinges of rear crossmember (12) on hopper with hinges of rear hopper pivot (4). Insert clevis pins (14) and hair pins (15) as shown in Figure 12.

## ATTACH CABLE

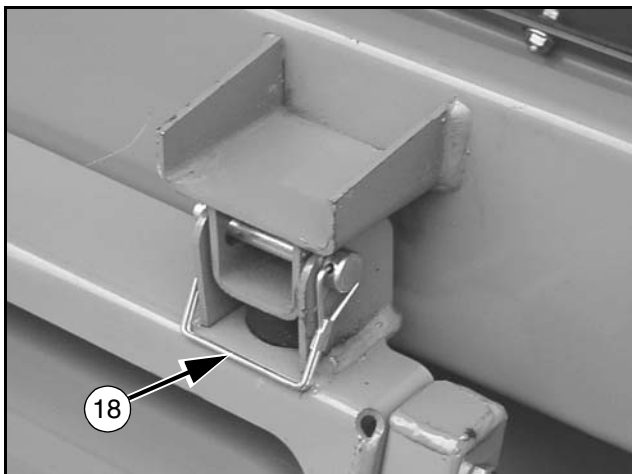
1. Attach cable (10) to rear of power unit on both right and left sides as shown in Figure 13.
- NOTE:** Remove cap screw for ground cable on 21D & 25L power units.
2. Secure with flanged cap screw (8), washer (9), and flange lock nut (7). Leave hardware loose at this time.
  3. Remove the fourth whiz bolt and whiz nut from the bottom of both right and left side panels.
  4. Install whiz bolt (16), other end of cable (10), flat washer (9), and whiz nut previously removed in this hole position as shown in Figure 13.
  5. Pivot hopper back and allow weight of hopper on cables. Torque hardware at this time.



**Figure 13.** Cable Installed (Right Side Shown)

## **SECURE HOPPER**

1. Rotate hopper onto right and left hopper supports.
2. Insert 3/8 lynch pins (18) to attach front hopper crossmember to support brace as shown in Figure 14.



18. 33000 3/8 x 2-1/4 Lynch pins

**Figure 14.** Latch Locked into Position

## **POSITION HOOD FOR SERVICING ENGINE**

To flip hood up for servicing engine, follow these steps:

1. Disconnect vacuum hose from hose adapter chute on vacuum.
2. Remove lynch pins from hopper support (Figure 14).

3. Tilt hopper assembly back.

## ***NOTICE***

■ **Do not attempt to tilt hopper to service position unless hopper is completely empty. Failure to empty hopper could result in damage to hopper.**

4. On power unit, unhook rubber latches and lift hood assembly to service position.
5. Secure with prop rod.



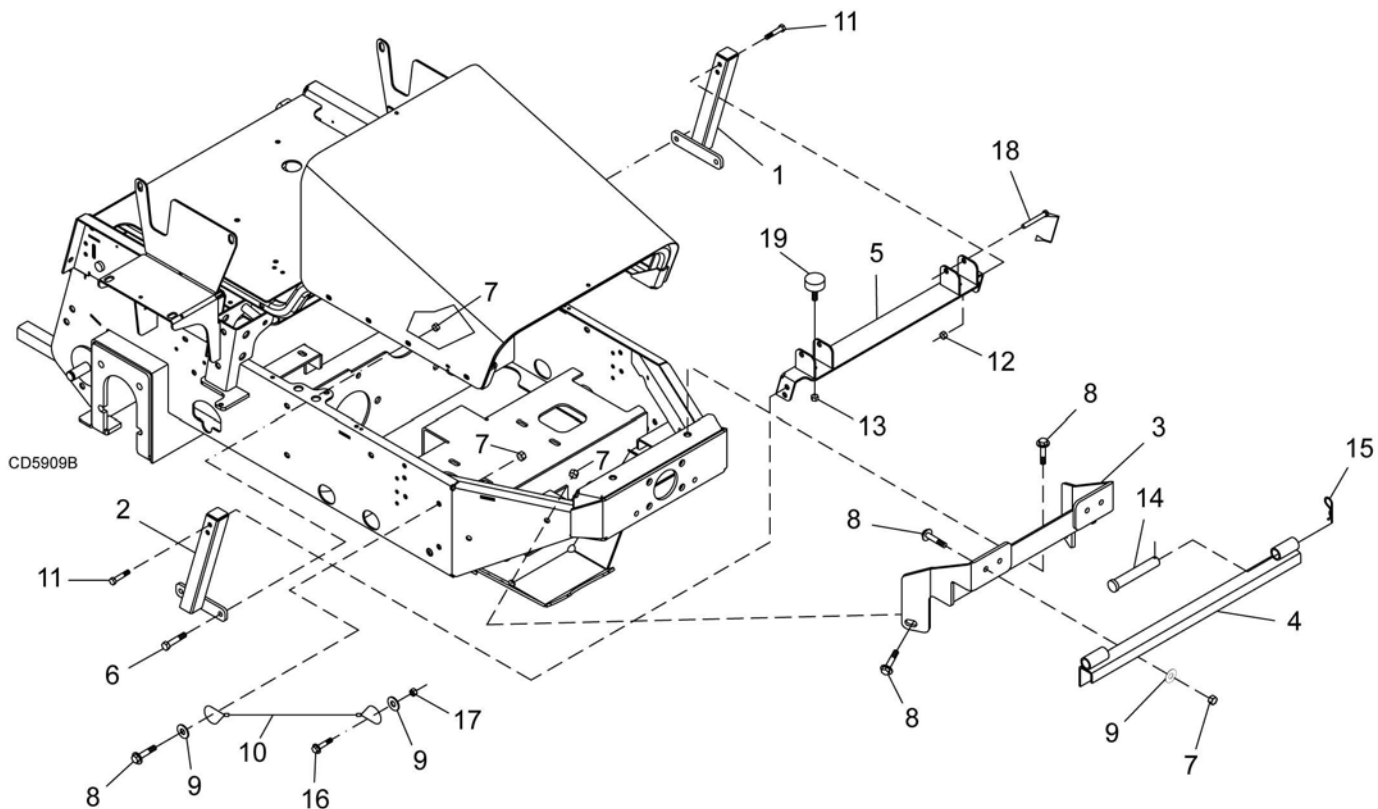
**Figure 15.** Servicing Engine

### **TORQUE SPECIFICATIONS**

<b>Ref</b>	<b>Cap Screw</b>	<b>Qty</b>	<b>Wrench Size</b>	<b>Required Torque</b>	<b>Hardware Location</b>
4	1/4 NC x 1/2 Whiz bolt	68	7/16	10 lbs-ft (13 N-m)	Hopper Assembly
6	3/8 NC x 1-3/4 HHCS	4	9/16	35 lbs-ft (47 N-m)	Mount Assembly
8	3/8 NC x 1 FHCS	12	9/16	35 lbs-ft (47 N-m)	Mount Assembly
10	1/4 NC x 3/4 Whiz bolt	14	7/16	10 lbs-ft (13 N-m)	Hopper Assembly
14	5/16 x 3/4 Sheet metal screw	4	1/2	19 lbs-ft (26 N-m)	Hopper Assembly
19	1/4 NC x 1-1/4 HHCS	1	7/16	10 lbs-ft (13 N-m)	Hopper Assembly
31	3/8 NC x 3/4 HHCS	2	9/16	35 lbs-ft (47 N-m)	Hopper Assembly

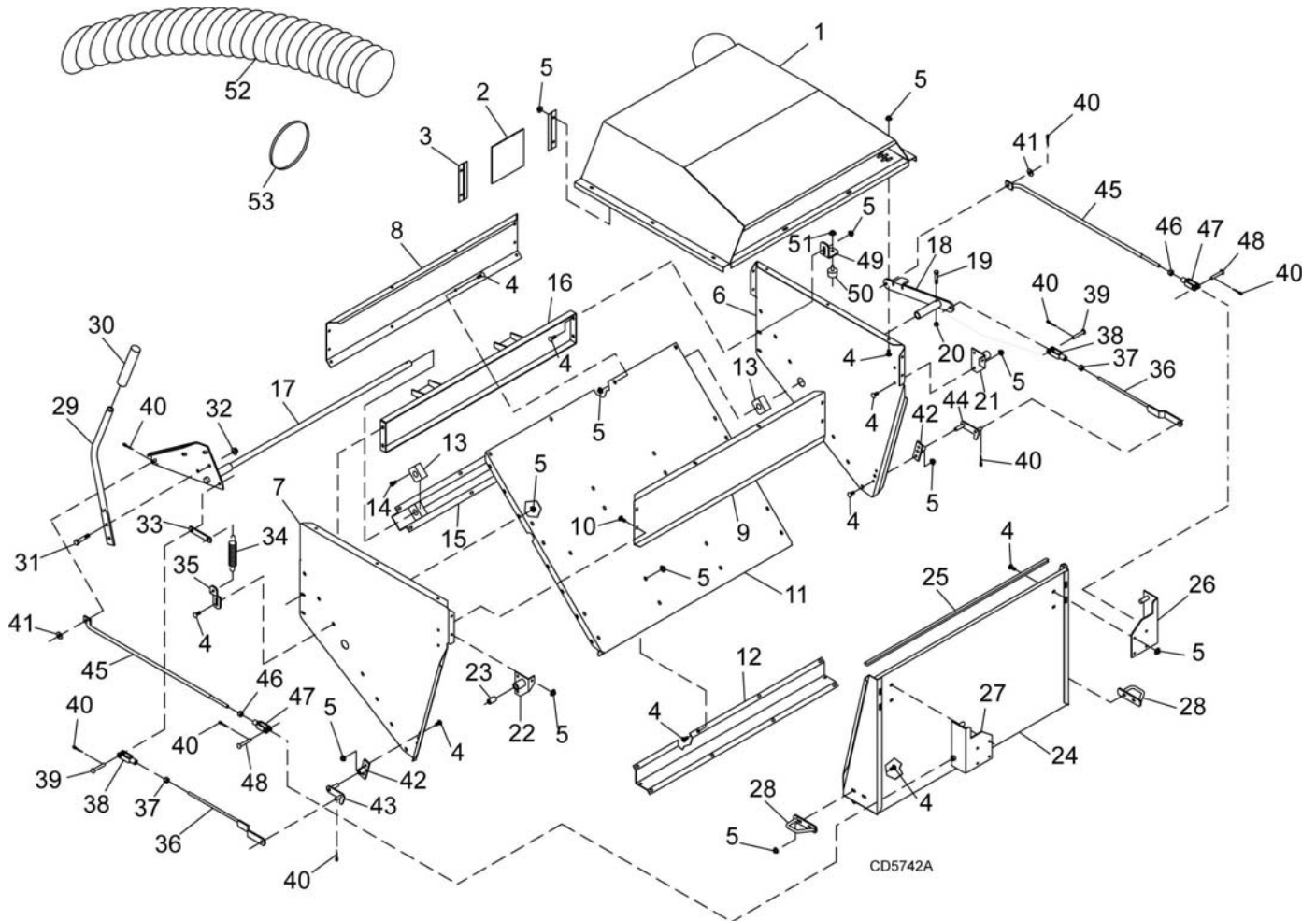


# MOUNT ASSEMBLY



REF	PARTS	QTY	DESCRIPTION	REF	PARTS	QTY	DESCRIPTION
1	74082	1	Right hopper support	11	4528	4	5/16 NC x 1-3/4 Cap screw GR5
2	74083	1	Left hopper support	12	6778	4	5/16 NC Lock nut
3	73677	1	Rear hopper support	13	14139	2	5/16 NC Flange lock nut
4	73678	1	Rear hopper pivot	14	63523	2	3/4 x 4-1/2 Clevis pin
5	74084	1	Hopper cross brace	15	2688	2	5/32 Hair pin cotter
6	920	4	3/8 NC x 1-3/4 Cap screw GR5	16	70068	2	1/4 x 3/4 Whiz bolt
7	15030	12	3/8 NC Flange lock nut	17	70065	2	1/4 Whiz nut
8	62153	12	3/8 NC x 1 Flanged head cap screw	18	33000	2	3/8 x 2-1/4 Lynch pin
9	565	8	3/8 Standard flat washer	19	71444	2	Rubber bumper
10	73957	2	Cable assembly				

# HOPPER ASSEMBLY



**10 Parts**

MAN0115 (Rev. 3/31/2006)

# HOPPER ASSEMBLY PART LIST

REF	PARTS	QTY	DESCRIPTION	REF	PARTS	QTY	DESCRIPTION
1	70521	1	Hopper top	28	70538	2	Latch bracket
2	70504	1	Window	29	70526	1	Hopper handle
3	70505	2	Mounting bracket	30	70527	1	Handle grip, .812 x 4
4	70067	68	1/4 NC x 1/2 Whiz bolt	31	1686	2	3/8 NC x 3/4 HHCS
5	70065	82	1/4 NC Whiz nut	32	15030	2	3/8 NC Flange lock nut
6	1000664	1	Right side panel	33	70546	1	Link, .19 x .75 x 4.0
7	1000665	1	Left side panel	34	70834	1	Spring
8	70528	1	Upper front panel	35	1001501	1	Spring anchor bracket
9	70530	1	Back panel	36	70547	2	Linkage latch rod
10	70068	14	1/4 NC x 3/4 Whiz bolt	37	5283	2	5/16 NF Hex nut
11	1000667	1	Bottom panel	38	70022	2	Adjustable clevis, 5/16 NF
12	1000679	1	Rear cross channel	39	70024	2	Clevis pin, 5/16 x 25/32
13	71163	2	Pivot bearing	40	1326	8	Cotter pin, 1/8 x 1/2
14	27610	4	5/16 x 3/4 Sheet metal screw	41	4378	9	5/16 Flat washer
15	1000680	1	Front cross channel	42	70543	1	Latch pivot bracket
16	74085	1	Front crossmember	43	70544	1	Right side door latch
17	1000677	1	Left door trip lever	44	70545	1	Left side door latch
18	1000678	1	Right dump lever	45	70548	2	Linkage door rod
19	3184	1	1/4 NC x 1-1/4 HHCS	46	1271	2	3/8 NF Hex nut
20	6128	1	1/4 NC Lock nut	47	70360	2	Adjustable clevis, 3/8NF
21	70534	1	Right door hinge mount	48	64151	2	Clevis pin, 3/8 x 1-1/8
22	70535	1	Left door hinge mount	49	1000670	1	Lever stop
23	70026	2	Nylon bearing (included. w/ 21 & 22)	50	71444	1	Rubber bumper
24	70531	1	Door	51	14139	1	5/16 NC Flange lock nut
25	70552	1	Door seal	52	1001018	1	64" Flex hose
26	70536	2	Right door hinge	53	70523	1	6" Hose clamp
27	70537	2	Left door hinge				

# BOLT TORQUE CHART

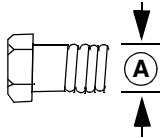
Always tighten hardware to these values unless a different torque value or tightening procedure is listed for a specific application.

Fasteners must always be replaced with the same grade as specified in the manual parts list.

Always use the proper tool for tightening hardware: SAE for SAE hardware and Metric for metric hardware.

Make sure fastener threads are clean and you start thread engagement properly.

All torque values are given to specifications used on hardware defined by SAE J1701 MAR 99 & J1701M JUL 96.



## SAE SERIES TORQUE CHART



SAE Grade 2  
(No Dashes)

SAE Bolt Head  
Identification

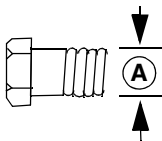


SAE Grade 5  
(3 Radial Dashes)



SAE Grade 8  
(6 Radial Dashes)

Ⓐ Diameter (Inches)	Wrench Size	MARKING ON HEAD					
		SAE 2		SAE 5		SAE 8	
		lbs-ft	N-m	lbs-ft	N-m	lbs-ft	N-m
1/4"	7/16"	6	8	10	13	14	18
5/16"	1/2"	12	17	19	26	27	37
3/8"	9/16"	23	31	35	47	49	67
7/16"	5/8"	36	48	55	75	78	106
1/2"	3/4"	55	75	85	115	120	163
9/16"	13/16"	78	106	121	164	171	232
5/8"	15/16"	110	149	170	230	240	325
3/4"	1-1/8"	192	261	297	403	420	569
7/8"	1-5/16"	306	416	474	642	669	907
1"	1-1/2"	467	634	722	979	1020	1383



## METRIC SERIES TORQUE CHART



Metric  
Grade 8.8

Metric Bolt Head  
Identification



Metric  
Grade 10.9

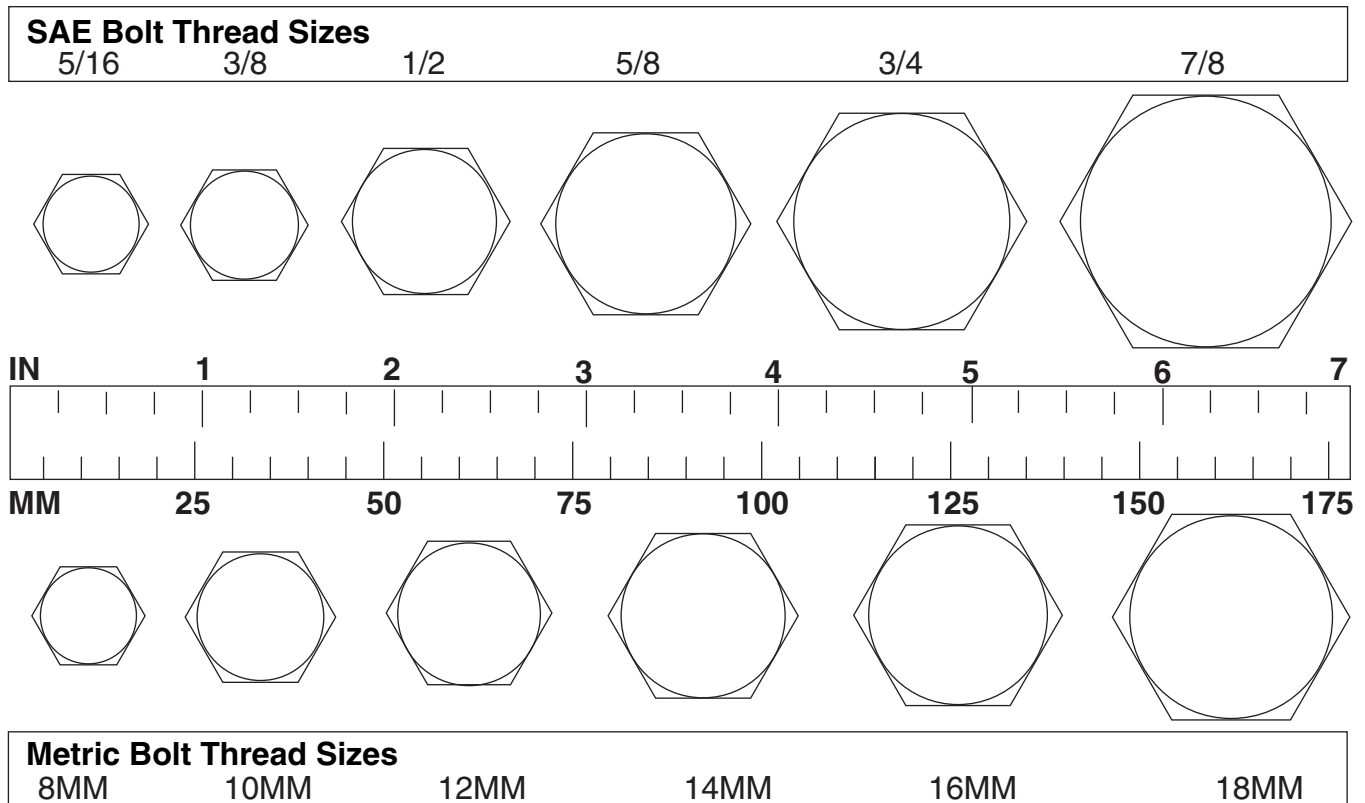
Ⓐ Diameter & Thread Pitch (Millimeters)	Wrench Size	COARSE THREAD				FINE THREAD				Ⓐ Diameter & Thread Pitch (Millimeters)
		MARKING ON HEAD				MARKING ON HEAD				
		Metric 8.8		Metric 10.9		Metric 8.8		Metric 10.9		
		N-m	lbs-ft	N-m	lbs-ft	N-m	lbs-ft	N-m	lbs-ft	
6 x 1.0	10 mm	8	6	11	8	8	6	11	8	6 x 1.0
8 x 1.25	13 mm	20	15	27	20	21	16	29	22	8 x 1.0
10 x 1.5	16 mm	39	29	54	40	41	30	57	42	10 x 1.25
12 x 1.75	18 mm	68	50	94	70	75	55	103	76	12 x 1.25
14 x 2.0	21 mm	109	80	151	111	118	87	163	120	14 x 1.5
16 x 2.0	24 mm	169	125	234	173	181	133	250	184	16 x 1.5
18 x 2.5	27 mm	234	172	323	239	263	194	363	268	18 x 1.5
20 x 2.5	30 mm	330	244	457	337	367	270	507	374	20 x 1.5
22 x 2.5	34 mm	451	332	623	460	495	365	684	505	22 x 1.5
24 x 3.0	36 mm	571	421	790	583	623	459	861	635	24 x 2.0
30 x 3.0	46 mm	1175	867	1626	1199	1258	928	1740	1283	30 x 2.0

**Typical Washer Installations**

8/9/00

# BOLT SIZE CHART

**NOTE:** Chart shows bolt thread sizes and corresponding head (wrench) sizes for standard SAE and metric bolts.



## ABBREVIATIONS

AG .....	Agriculture	NC .....	National Coarse
ATF .....	Automatic Transmission Fluid	NF .....	National Fine
BSPP .....	British Standard Pipe Parallel	NPSM .....	National Pipe Straight Mechanical
BSPTM.....	British Standard Pipe Tapered Male	NPT .....	National Pipe Tapered
CV .....	Constant Velocity	NPT SWF .....	National Pipe Tapered Swivel Female
CCW .....	Counter-Clockwise	ORB.....	O-Ring Boss - Male
CW .....	Clockwise	P .....	Pitch
F .....	Female	PBY .....	Power-Beyond
GA .....	Gauge	psi .....	Pounds per Square Inch
GR (5, etc.) .....	Grade (5, etc.)	PTO .....	Power Take Off
HHCS .....	Hex Head Cap Screw	QD .....	Quick Disconnect
HT .....	Heat-Treated	RH .....	Right Hand
JIC.....	Joint Industry Council 37° Degree Flare	ROPS.....	Roll-Over Protective Structure
LH .....	Left Hand	RPM.....	Revolutions Per Minute
LT .....	Left	RT .....	Right
m .....	Meter	SAE .....	Society of Automotive Engineers
mm .....	Millimeter	UNC .....	Unified Coarse
M .....	Male	UNF .....	Unified Fine
MPa.....	Mega Pascal	UNS .....	Unified Special
N .....	Newton		



## LIMITED WARRANTY

(Mow'n Machine™ Zero-Turn Mower and  
Woods Boundary™ Utility Vehicle Replacement Parts)

Woods Equipment Company ("WOODS") warrants replacement parts for Mow'n Machine™ zero-turn mowers and attachments and Woods Boundary™ utility vehicles, accessories and attachments to be free from defect in material and workmanship for a period of ninety (90) days from the date of delivery of the product to the original purchaser.

IMPLIED WARRANTIES OF MERCHANTABILITY AND/OR FITNESS FOR A PARTICULAR PURPOSE ARE LIMITED IN DURATION TO A PERIOD OF NINETY (90) DAYS FROM THE DATE OF DELIVERY OF THE PRODUCT TO THE ORIGINAL PURCHASER. Some states do not allow limitations on how long an implied warranty lasts, so the above limitation may not apply to you.

This Warranty is extended solely to the original purchaser of the product. Should the original purchaser sell or otherwise transfer the product to a third party, this Warranty does not transfer to the third party purchaser in any way. There are no third party beneficiaries of this Warranty.

This Warranty does not cover normal wear or tear, or normal maintenance items, or any damage, failure or loss caused by improper operation, improper maintenance, misuse, or an accident.

WOODS' obligation under this Warranty is limited to, at WOODS' option, the repair or replacement, free of charge, of the product if the product is defective or in noncompliance with this Warranty. **The product must be returned to WOODS with proof of purchase within thirty (30) days after such defect or noncompliance is discovered or should have been discovered, routed through the dealer and distributor from whom the purchase was made, transportation charges prepaid.** WOODS shall complete such repair or replacement within a reasonable time after WOODS receives the product.

**WOODS shall not be liable for any incidental or consequential losses, damages or expenses, arising directly or indirectly from the product, whether such claim is based upon breach of contract, breach of warranty, negligence, strict liability in tort or any other legal theory.** Without limiting the foregoing, WOODS shall not be liable for any damages relating to (i) lost profits, business, revenues or goodwill; (ii) any expense or loss incurred for labor, supplies, substitute machinery or rental; or (iii) any other type of damage to property or economic loss. Some states do not allow the exclusion or limitation of incidental or consequential damages, so the above limitations may not apply to you.

No agent, representative, dealer, distributor, service person, salesperson, or employee of any company, including without limitation, WOODS, its authorized dealers, distributors, and service centers, is authorized to alter, modify, or enlarge this Warranty.

This Warranty gives you specific legal rights, and you may also have other rights which may vary from state to state.

Answers to any questions regarding warranty service and locations may be obtained by contacting:

### Woods Equipment Company

2606 South Illinois Route 2  
Post Office Box 1000  
Oregon, Illinois 61061

800-319-6637 tel  
800-399-6637 fax  
[www.WoodsEquipment.com](http://www.WoodsEquipment.com)

# WOODS®

ALITEC™

BMP®

CENTRAL FABRICATORS®

GANNON®

GILL®

WAIN-ROY®

WOODS®



# LIMITED WARRANTY

## (Mow'n Machine™ Zero-Turn Mowers and Woods Boundary™ Utility Vehicles)

Please Enter Information Below and Save For Future Reference.

Date Purchased: \_\_\_\_\_ From (Dealer): \_\_\_\_\_  
 Model Number: \_\_\_\_\_ Serial Number: \_\_\_\_\_

### WHAT IS COVERED:

Woods Equipment Company ("WOODS") warrants Mow'n Machine™ zero-turn mowers and attachments and Woods Boundary™ utility vehicles, accessories and attachments to be free from defect in material and workmanship for the warranty periods listed below.

### FOR HOW LONG:

Mow'n Machine Model #CZ2136B, CZ1736K, CZ1942K, CZ1948K, CZ1952K, FE21B, FZ23B, FZ25D, FZ28K, ME2052B, MZ1952K, MZ2652G, MZ2561K, MZ2761, MZ3361G, MZ3372G, MZ2061YD & attachments are warranted for two (2) years from the date of delivery to the original purchaser or 2000 hours of operation, whichever occurs first.

Mow'n Machine ME and MZ Series Models, serial number XXXXXXXXX300 and above, Limited Lifetime Warranty on deck, deck cradle, and engine deck for the life of the machine to the original retail purchaser.

Woods Boundary utility vehicle Model #MAV350, MAV480, MAV4x4, accessories & attachments are warranted for two (2) years from the date of delivery to the original purchaser.

IMPLIED WARRANTIES OF MERCHANTABILITY AND/OR FITNESS FOR A PARTICULAR PURPOSE ARE LIMITED IN DURATION TO THE DURATION OF THE WRITTEN WARRANTY PERIODS LISTED ABOVE. Some states do not allow limitations on how long an implied warranty lasts, so the above limitation may not apply to you.

### WHO IS COVERED:

This Warranty is extended solely to the original purchaser of the product. Should the original purchaser sell or otherwise transfer the product to a third party, this Warranty does not transfer to the third party purchaser in any way. There are no third party beneficiaries of this Warranty.

### WHAT IS NOT COVERED:

This Warranty does not cover normal wear or tear, or normal maintenance items, or any damage, failure or loss caused by:

1. Improper operation, improper maintenance, misuse, or an accident;
2. Any modification or repair by someone other than WOODS, a WOODS authorized dealer or distributor, and/or a WOODS authorized service center; or
3. Repairs made with parts other than those obtainable through WOODS.

WOODS makes no warranty, express or implied, with respect to engines, batteries, tires or other parts or accessories not manufactured by WOODS. Warranties for these items, if any, are provided separately by their respective manufacturers.

### WHAT WOODS WILL DO TO CORRECT PROBLEMS:

WOODS' obligation under this Warranty is limited to, at WOODS' option, the repair or replacement, free of charge, of the product if the product is defective or in noncompliance with this Warranty. The product must be returned to WOODS with proof of purchase within thirty (30) days after such defect or noncompliance is discovered or should have been discovered, routed through the dealer and distributor from whom the purchase was made, transportation charges prepaid. WOODS shall complete such repair or replacement within a reasonable time after WOODS receives the product.

### OTHER LIMITATIONS:

WOODS shall not be liable for any incidental or consequential losses, damages or expenses, arising directly or indirectly from the product, whether such claim is based upon breach of contract, breach of warranty, negligence, strict liability in tort or any other legal theory. Without limiting the foregoing, WOODS shall not be liable for any damages relating to (i) lost profits, business, revenues or goodwill; (ii) any expense or loss incurred for labor, supplies, substitute machinery or rental; or (iii) any other type of damage to property or economic loss. Some states do not allow the exclusion or limitation of incidental or consequential damages, so the above limitations may not apply to you.

No agent, representative, dealer, distributor, service person, salesperson, or employee of any company, including without limitation, WOODS, its authorized dealers, distributors, and service centers, is authorized to alter, modify, or enlarge this Warranty.

### HOW STATE LAW APPLIES:

This Warranty gives you specific legal rights, and you may also have other rights which may vary from state to state.

### QUESTIONS:

Answers to any questions regarding warranty service and locations may be obtained by contacting:

### Woods Equipment Company

2606 South Illinois Route 2  
Post Office Box 1000  
Oregon, Illinois 61061

800-319-6637 tel  
800-399-6637 fax  
www.WoodsEquipment.com



ALITEC™

BMP®

CENTRAL FABRICATORS®

GANNON®

GILL®

WAIN-ROY®

WOODS®

**PART NO.**  
**MAN0115**

**Woods Equipment  
Company**

2606 South Illinois Route 2  
Post Office Box 1000  
Oregon, Illinois 61061

800-319-6637 tel  
800-399-6637 fax  
[www.WoodsEquipment.com](http://www.WoodsEquipment.com)

**WOODS®**

© 2001 Woods Equipment Company. All rights reserved. WOODS, the Woods logo, and "Tested. Proven. Unbeatable." are trademarks of Woods Equipment Company. All other trademarks, trade names, or service marks not owned by Woods Equipment Company that appear in this manual are the property of their respective companies or mark holders. Specifications subject to change without notice.



## Free Manuals Download Website

<http://myh66.com>

<http://usermanuals.us>

<http://www.somanuals.com>

<http://www.4manuals.cc>

<http://www.manual-lib.com>

<http://www.404manual.com>

<http://www.luxmanual.com>

<http://aubethermostatmanual.com>

Golf course search by state

<http://golfingnear.com>

Email search by domain

<http://emailbydomain.com>

Auto manuals search

<http://auto.somanuals.com>

TV manuals search

<http://tv.somanuals.com>