

WOODS

2300003 LOADER MOUNTING KIT

for LU132 & LU132-2 Loaders

on Case IH[®] Tractors
JX1085C, JX1095C

or New Holland[®] Tractors
TN85A, TN95A,
TN85DA, TN95DA

Includes Hose Kits
1018219, 1023597

MAN0572

(Rev. 1/30/2009)



WOODS[®]

INSTALLATION MANUAL

TO THE DEALER:

Assembly and proper installation of this product is the responsibility of the Woods® dealer. Read manual instructions and safety rules. Make sure all items on the Dealer's Pre-Delivery and Delivery Check Lists in the Loader Operator's Manual are completed before releasing equipment to the owner.

TO THE OWNER:

Read this manual and Loader Operator's Manual before operating your Woods equipment. The information presented will prepare you to do a better and safer job. Keep this manual handy for ready reference. Require all operators to read this manual carefully and become acquainted with all adjustment and operating procedures before attempting to operate. Replacement manuals can be obtained from your dealer. To locate your nearest dealer, check the Dealer Locator at www.WoodsEquipment.com, or in the United States and Canada call 1-800-319-6637.

The equipment you have purchased has been carefully engineered and manufactured to provide dependable and satisfactory use. Like all mechanical products, it will require cleaning and upkeep. Lubricate the unit as specified. Observe all safety information in this manual and safety decals on the equipment.

For service, your authorized Woods dealer has trained mechanics, genuine Woods service parts, and the necessary tools and equipment to handle all your needs.

Use only genuine Woods service parts. Substitute parts will void the warranty and may not meet standards required for safe and satisfactory operation. Record the model number of your equipment in the space provided.

Model: _____

Date of Purchase: _____

Provide this information to your dealer to obtain correct repair parts.

Throughout this manual, the term **NOTICE** is used to indicate that failure to observe can cause damage to equipment. The terms **CAUTION**, **WARNING**, and **DANGER** are used in conjunction with the Safety-Alert Symbol (a triangle with an exclamation mark) to indicate the degree of hazard for items of personal safety.



This is the safety alert symbol. It is used to alert you to potential personal injury hazards. Obey all safety messages that follow this symbol to avoid possible injury or death.



Indicates a hazardous situation which, if not avoided, will result in death or serious injury.



Indicates a hazardous situation which, if not avoided, could result in death or serious injury.



Indicates a hazardous situation which, if not avoided, could result in minor or moderate injury.

**IMPORTANT
or NOTICE**

Is used to address practices not related to personal injury.

NOTE

Indicates helpful information.

WOODS®

ALITEC™
BMP®
CENTRAL FABRICATORS®
GANNON®
GILL®
WAIN-ROY®
WOODS®

2 Introduction

LMK (Rev. 7/20/2007)



SAFETY RULES

ATTENTION! BECOME ALERT! YOUR SAFETY IS INVOLVED!



¡LEA EL INSTRUCTIVO!

Si no lee Ingles, pida ayuda a alguien que si lo lea para que le traduzca las medidas de seguridad.

Safety is a primary concern in the design and manufacture of our products. Unfortunately, our efforts to provide safe equipment can be wiped out by an operator's single careless act.

In addition to the design and configuration of equipment, hazard control and accident prevention are dependent upon the awareness, concern, judgement, and proper training of personnel involved in the operation, transport, maintenance, and storage of equipment.

It has been said, "The best safety device is an informed, careful operator." We ask you to be that kind of operator.

INSTALLATION

■ This Loader Mounting Kit is to be used only for the loaders and tractors specified in this manual. Any other use or modification of this mounting kit may result in serious injury or death.

■ Hydraulics must be connected as instructed in this manual. Do not substitute parts, modify, or connect in any other way.

■ After connecting hoses, check that all control lever positions function as instructed in the Operator's Manual. Do not put into service until control lever and equipment movements are correct.

■ Safety instructions are important! Read all attachment and power unit manuals; follow all safety rules and safety decal information. (Replacement manuals and safety decals are available from your dealer. To locate your nearest dealer, check the Dealer Locator at www.WoodsEquipment.com, or in the United States and Canada call 1-800-319-6637.) Failure to follow instructions or safety rules can result in serious injury or death.

■ Keep hands and body away from pressurized lines. Use paper or cardboard, not hands or other body parts to check for leaks. Wear safety goggles. Hydraulic fluid under pressure can easily penetrate skin and will cause serious injury or death.

■ Make sure that all operating and service personnel know that if hydraulic fluid penetrates skin, it

must be surgically removed as soon as possible by a doctor familiar with this form of injury or gangrene, serious injury, or death will result. **CONTACT A PHYSICIAN IMMEDIATELY IF FLUID ENTERS SKIN OR EYES. DO NOT DELAY.**

■ Check that all hardware is properly installed. Always tighten to torque chart specifications unless instructed otherwise in this manual.

■ Air in hydraulic systems can cause erratic operation and allows loads or equipment components to drop unexpectedly. When connecting equipment or hoses or performing any hydraulic maintenance, purge any air in hydraulic system by operating all hydraulic functions several times. Do this before putting into service or allowing anyone to approach the equipment.

■ Protective hose sleeves must cover all hydraulic hoses within 20 inches of the operator and be secured onto metal hose fittings. Replace hoses or sleeves if damaged or if protective sleeve cannot be properly positioned or secured.

■ Make sure all hydraulic hoses, fittings, and valves are in good condition and not leaking before starting power unit or using equipment. Check and route hoses carefully to prevent damage. Hoses must not be twisted, bent sharply, kinked, frayed, pinched, or come into contact with any moving parts. Operate moveable components through full operational range to check clearances. Replace any damaged hoses immediately.

■ Always wear relatively tight and belted clothing to avoid getting caught in moving parts. Wear sturdy, rough-soled work shoes and protective equipment for eyes, hair, hands, hearing, and head; and respirator or filter mask where appropriate.

■ Do not modify or alter or permit anyone else to modify or alter the equipment or any of its components in any way.

■ Do not allow bystanders in the area when operating, attaching, removing, assembling, or servicing equipment.

■ Use a suitable lifting device of sufficient capacity. Use adequate personnel to handle heavy components.

■ Keep all persons away from operator control area while performing adjustments, service, or maintenance.

LOADER MOUNT INSTALLATION

TRACTOR PREPARATION

WARNING

■ Only use this mounting kit for mounting Woods LU132 or LU132-2 loader on Case IH® JX1085C and JX1095C or New Holland® TN85A, TN95A, TN85DA, TN95DA tractors. Any other use or modification of this mounting kit may result in serious injury or death.

NOTICE

■ This equipment must be assembled and installed on the customer's tractor by the Woods dealer. Dealer must thoroughly inspect equipment and complete each item on the PRE-DELIVERY CHECK LIST, DELIVERY CHECK LIST, and PRODUCT REGISTRATION from the loader manual before equipment is released to the customer.

NOTICE

■ Clean threaded holes in the tractor chassis thoroughly using a tap of the proper size. Paint, rust, or debris in the threads may not permit cap screws to be installed and tightened correctly.

For installing this mounting kit, references to right, left, forward, and rearward directions are determined from the operator's position in the tractor seat.

1. Shut off engine and set parking brake during installation.
2. Remove the tractor front weights if equipped.
3. Leave mounting hardware loose until loader mounts are completely installed.

Remove Exhaust Bracket ROPS Tractors Only

1. Remove exhaust pipe from muffler and exhaust bracket.
2. Remove exhaust bracket from tractor.
3. Place two washers (7) between heat shield bracket and tractor. Secure with bolt removed with exhaust bracket.

NOTE: Washers (7) are included in exhaust relocation kit 1024092.

7. 44546 3/8 Hardened flat washer

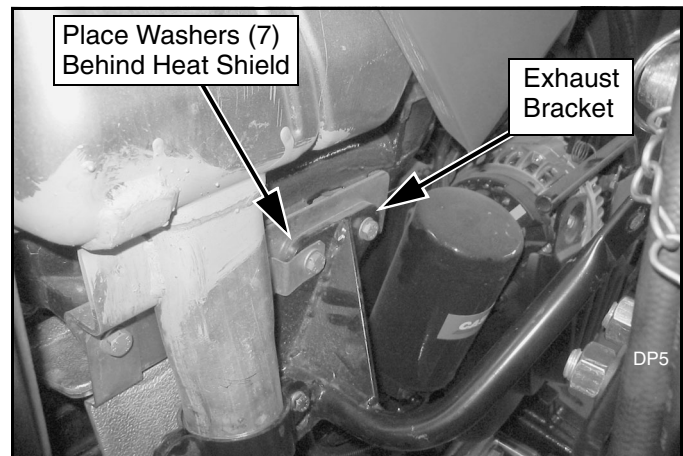


Figure 1. Remove Exhaust Bracket

Nord-Lock® Washer

The Nord-Lock® washer is a unique bolt securing system that uses tension rather than friction. When the bolt and/ or nut is tightened, the teeth grip and seat the mating surfaces. The wedge locking effect created makes the bolt self-locking.

The advantage to the Nord-Lock washer is that it achieves maximum security when locking fasteners. These washers resist loosening caused by vibration or dynamic loads. They are easy to install and remove and provide positive locking at low and high preload levels. They are reusable if lubricated before reuse.

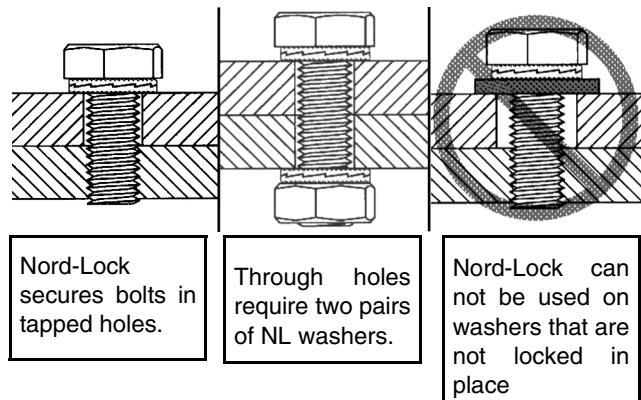


Figure 2. Nord-Lock Washer

4 Mount Installation

MAN0572 (Rev. 1/30/2009)

Install Right Mount

1. Attach right mount (1) to tractor chassis and frame using four hex flange screws (7) and Nord-Lock washers (9).
2. Attach to tractor frame using two cap screws (4) and hardened flat washers (8).
3. Torque hardware to:
M14 x 2.0P x 40 mm 111 lbs-ft (109 N-m)
M20 x 2.5P x 100 mm 337 lbs-ft (457 (N-m)

1. 1023010 Right mount
4. 1024088 M20 x 2.5P x 100 mm HHCS CL10.9
7. 1028750 M14 x 2.0P x 40 mm HFS CL10.9
8. 1006371 3/4 Hardened flat washer
9. 1026300 14 mm Nord-Lock washer

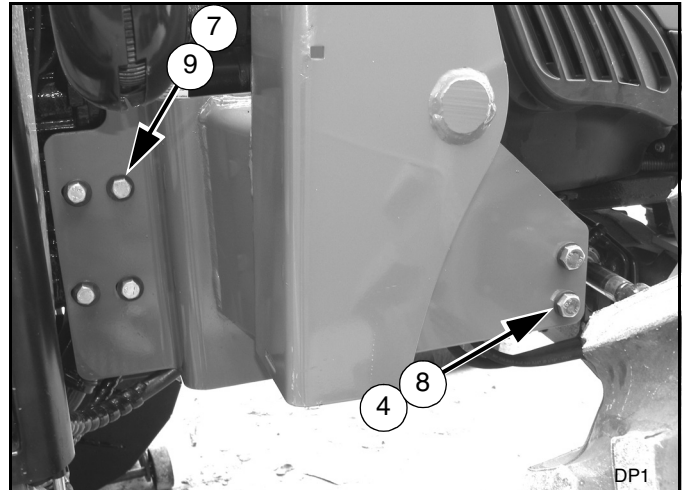


Figure 3. Right Mount Installed

Install Left Mount

1. Support fuel tank with hydraulic floor jack and remove strap on bottom of tank. Lower tank for access to mounting pad. See Figure 4.
2. Attach left mount (2) to tractor chassis using four hex flange screws (6) and Nord-Lock washers (9).
3. Attach to tractor frame using two cap screws (4) and hardened flat washers (8).

NOTE: Make sure electrical wires are placed between mount and tractor, and are not pinched. Coolant lines should be on the out side of the mount.

4. Torque hardware to:
M14 x 2.0P x 40 mm 111 lbs-ft (109 N-m)
M20 x 2.5P x 150 mm 337 lbs-ft (457 (N-m)
5. Raise fuel tank back into position and secure using hardware previously removed.

2. 1023011 Left mount
4. 1024088 M20 x 2.5P x 100 mm HHCS CL10.9
6. 1028719 M14 x 2.0P x 60 mm HFS CL10.9
8. 1006371 3/4 Hardened flat washer
9. 1026300 14 mm Nord-Lock washer



Figure 4. Lower Fuel Tank

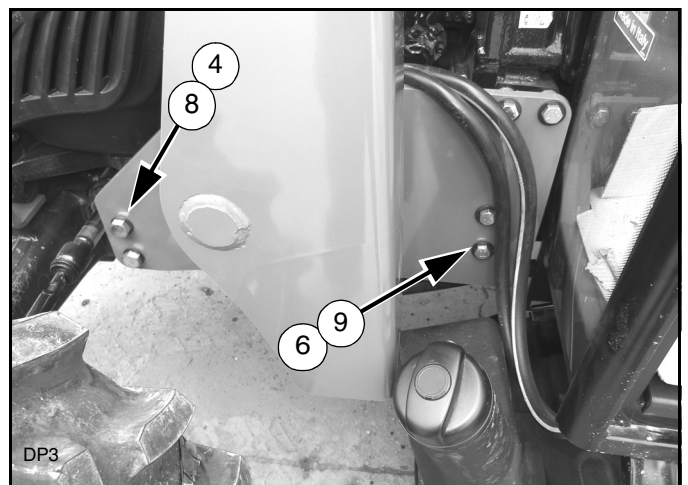


Figure 5. Left Mount Installed

Install Exhaust Relocation Kit 1024092 ROPS Tractors only

1. Attach exhaust bracket (2) to the right loader mount using two carriage bolts (4) hardened flat washers (5), and hex nuts (6).

NOTE: Carriage bolts must be installed so that the heads are inside the loader mount.

2. Torque carriage bolts to 170 lbs-ft.
3. Attach new exhaust stack (1) to tractor muffler using hardware previously removed. Do not tighten at this time.
4. Slide exhaust clamp (3) around exhaust stack.
5. Position stack and clamp against exhaust bracket (2) and secure using lock nuts provided with clamp.
6. Tighten exhaust stack hardware at muffler.

- | | | |
|----|---------|------------------------------|
| 1. | 1024093 | Exhaust stack |
| 2. | 1023019 | Exhaust bracket |
| 3. | 72130 | Exhaust clamp 3/8 x 2-1/2 |
| 4. | 5607 | 5/8 NC x 1-1/2 Carriage bolt |
| 5. | 57817 | 5/8 Hardened flat washer |
| 6. | 230 | 5/8 NC Hex nut |

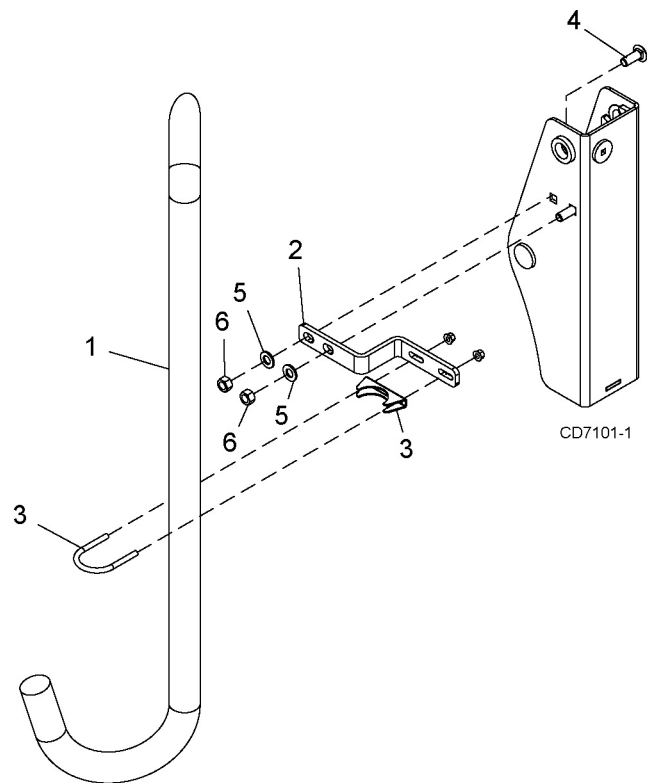


Figure 6. Exhaust Kit Installation



Figure 7. Exhaust Kit Installed

Install Grill Guard (Optional)

1. Attach grill guard (1) to the front of the tractor using four cap screws (2) and flat washers (3).
2. Torque hardware to 244 lbs-ft.

1. 1018190 Grill guard
2. 1001377 M20 x 2.5P x 40 mm HHCS
3. 57798 3/4 Hardened flat washer



Figure 8. Grill Guard Installed

Install Oscillation Stops (Optional)

Check front tire clearance after loader has been installed.

Using the loader, raise front of tractor off the ground to achieve full oscillation of front axle. Turn front tires completely to the right and left and check for tire contact with loader or loader mounts. If tire contact is present, install oscillation stops and/or adjust steering stop bolts.

1. Attach oscillation stops (3) to right side of tractor using cap screws (5) and hardened flat washer (8). See Figure 9.
2. Repeat for oscillation stop installation on left side of tractor.
3. Torque cap screws to 244 lbs-ft.

3. 1018180 Oscillation stop
5. 1001377 M20 x 2.5P x 40 mm HHCS CL10.9
8. 1006371 3/4 Hardened flat washer

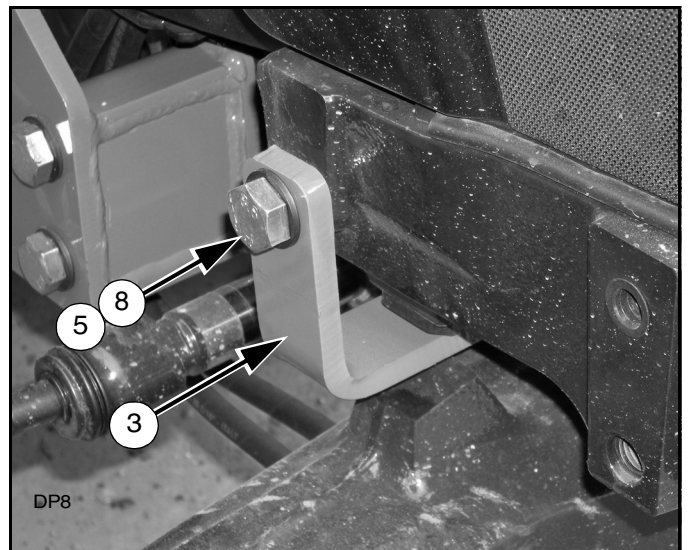


Figure 9. Oscillation Stop Installed, Right Side

As a valued customer, Woods appreciates your comments. Once loader mount and hydraulic hoses have been installed, please take a few minutes to complete the Loader Mount Evaluation sheet that was supplied with your loader mount. Your comments will help us continue to bring you quality products.

1018219 & 1023597 HOSE KIT INSTALLATION

⚠ WARNING

■ Keep hands and body away from pressurized lines. Use paper or cardboard, not hands or other body parts to check for leaks. Wear safety goggles. Hydraulic fluid under pressure can easily penetrate skin and will cause serious injury or death.

■ Make sure that all operating and service personnel know that if hydraulic fluid penetrates skin, it must be surgically removed as soon as possible by a doctor familiar with this form of injury or gangrene, serious injury, or death will result. **CONTACT A PHYSICIAN IMMEDIATELY IF FLUID ENTERS SKIN OR EYES. DO NOT DELAY.**

■ Air in hydraulic systems can cause erratic operation and allows loads or equipment components to drop unexpectedly. When connecting equipment or hoses or performing any hydraulic maintenance, purge any air in hydraulic system by operating all hydraulic functions several times. Do this before putting into service or allowing anyone to approach the equipment.

⚠ WARNING

■ Protective hose sleeves must cover all hydraulic hoses within 20 inches of the operator and be secured onto metal hose fittings. Replace hoses or sleeves if damaged or if protective sleeve cannot be properly positioned or secured.

■ Make sure all hydraulic hoses, fittings, and valves are in good condition and not leaking before starting power unit or using equipment. Check and route hoses carefully to prevent damage. Hoses must not be twisted, bent sharply, kinked, frayed, pinched, or come into contact with any moving parts. Operate moveable components through full operational range to check clearances. Replace any damaged hoses immediately.

General Description

Hose Kit 1023597 is used for operating the LU132 loader and hose kit 1018219 is used for operating the LU132-2 loader. To use these hose kits, the tractor must be equipped with the manufacturer's multi-function hydraulic control valve and lever. Multi-function valve is located on the right side of the tractor under the cab/operator's platform.



Figure 10. Hydraulic Hose Connection

8 Hydraulic Installation

MAN0572 (Rev. 1/30/2009)

Install Hydraulic Fittings

1. Locate the control valve under the right side of the operator platform/cab and remove the four plugs from the valve work ports.
2. Install two adapters (2), elbows (6), and female half of quick coupler set (4) into the two forward ports of the control valve. Position elbows to point forward.
3. Install two adapters (2), adapters (7), and female half of quick coupler set (4) into the two rear ports of the control valve.

NOTE: Install colored bands and dust plugs between female quick coupler and fittings. See Figure 12 for colored band locations.

2. 1012055 Adapter, M18 x 1.5P x 3/4 JICM
4. 26124 Quick coupler set, male/female 1/2
6. 313053 Elbow, 1/2 NPTM x 3/4 JICF 90°
7. 315058 Adapter, 1/2 NPTM x 3/4 JICF
8. 395058 Dust cap and plug set, black
9. 395061 Plastic spiral band, red
10. 395062 Plastic spiral band, blue
11. 56061 Plastic spiral band, green
12. 56062 Plastic spiral band, yellow



Figure 11. Hydraulic Fitting Installed, Bottom View

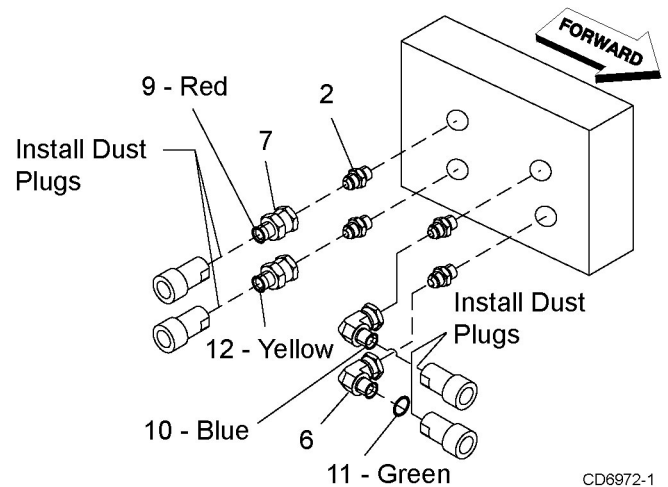


Figure 12. Hydraulic Fitting Installation

Install Hose Guide

Attach hose guide (3) to the right loader mount shoe using two carriage bolts (13), hardened flat washers (14), and hex nuts (15) as shown in Figure 13.

NOTE: Carriage bolts must be installed so that the heads are inside the loader mount shoe as shown.

3. 1020934 Hose guide
13. 5607 5/8 NC x 1-1/2 Carriage bolt
14. 57817 5/8 Hardened flat washer
15. 230 5/8 NC Hex nut

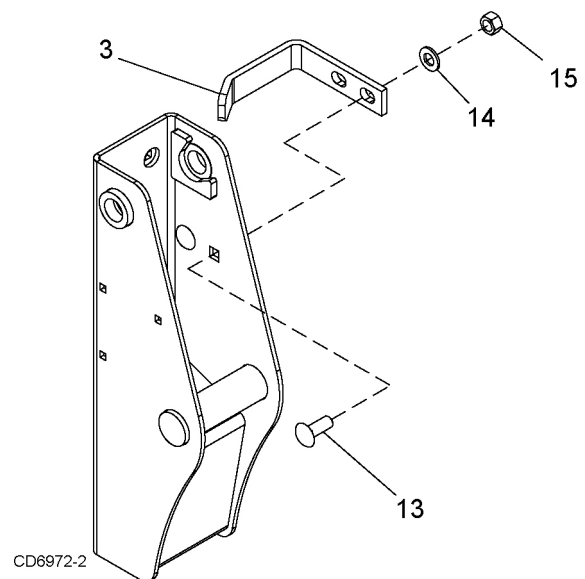


Figure 13. Hose Guide Installation

Assemble Hoses

1. Attach male half of quick coupler set (4), colored bands (10 & 11), and dust caps (8) to the end of two loader supply hoses (1). See Figure 14.
2. Attach male half of quick coupler set (4), elbow (5), colored bands (9 & 12), and dust caps (8) to the end of other two loader supply hoses (1). See Figure 14.
3. Connect loader supply hoses to loader feedlines following color scheme shown in Figure 15.

1. 1002878 Hose, 74" x 1/2 NPTM x 3/4 JICM (1018219 Hose Kit)
1. 1023473 Hose, 125" x 1/2 NPTM x 3/4 JICM (1023597 Hose Kit)
4. 26124 Quick coupler set, male/female 1/2
5. 3018 Elbow, 1/2 NPTM x 1/2 NPSF 90°
8. 395058 Dust cap and plug set, black
9. 395061 Plastic spiral band, red
10. 395062 Plastic spiral band, blue
11. 56061 Plastic spiral band, green
12. 56062 Plastic spiral band, yellow

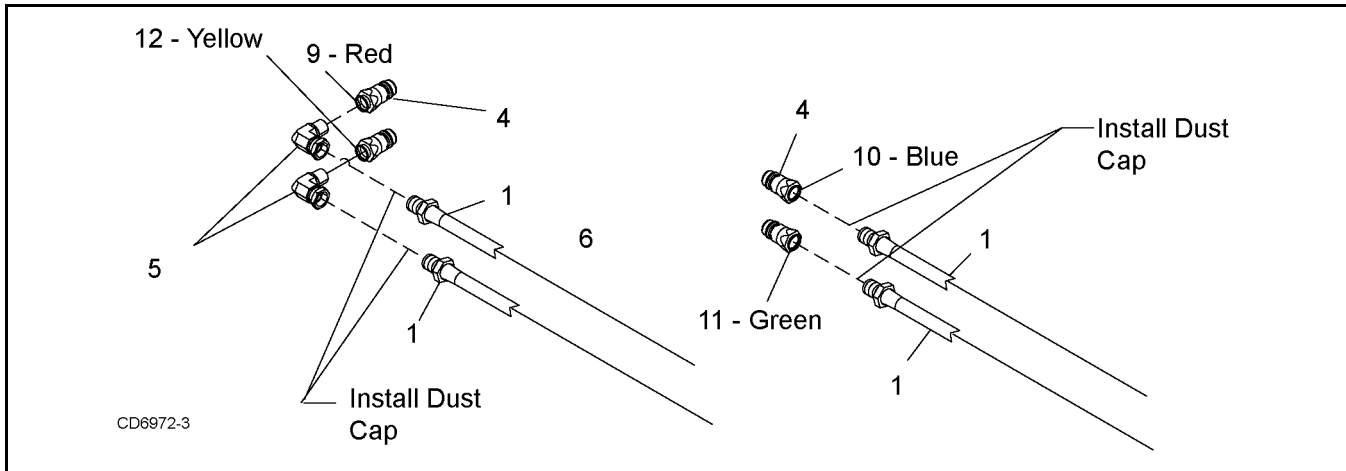


Figure 14. Hose Assembly

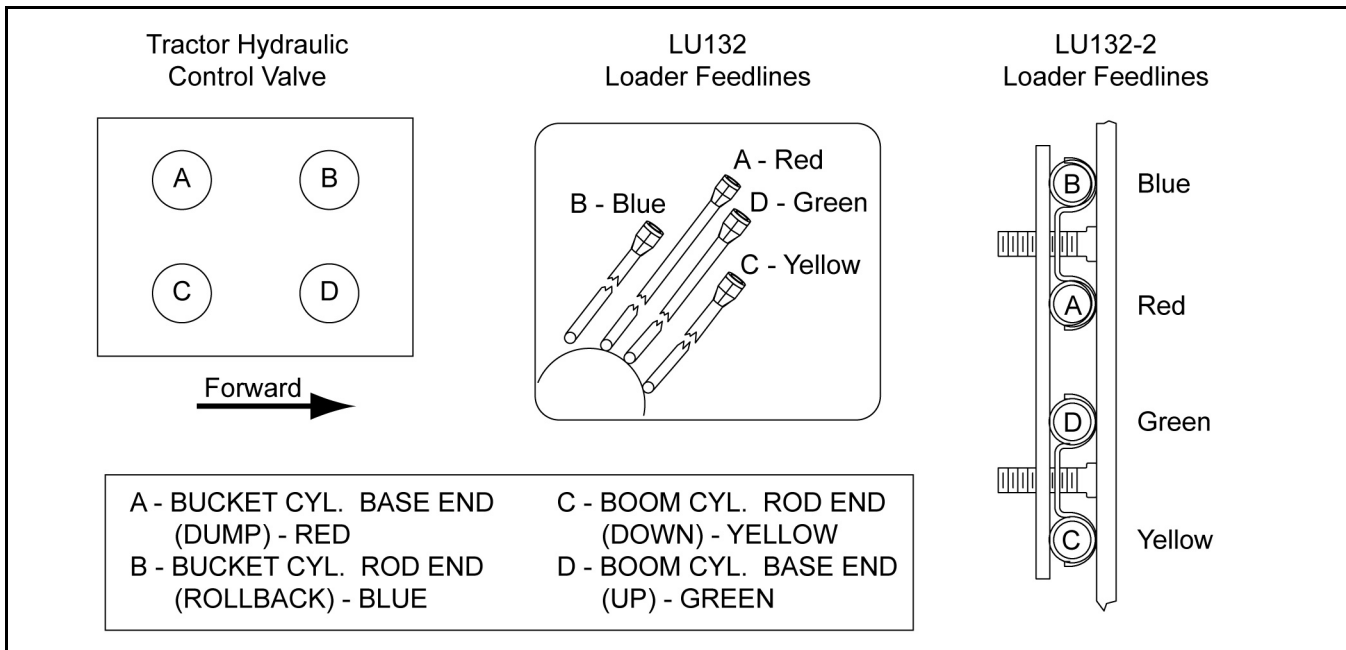
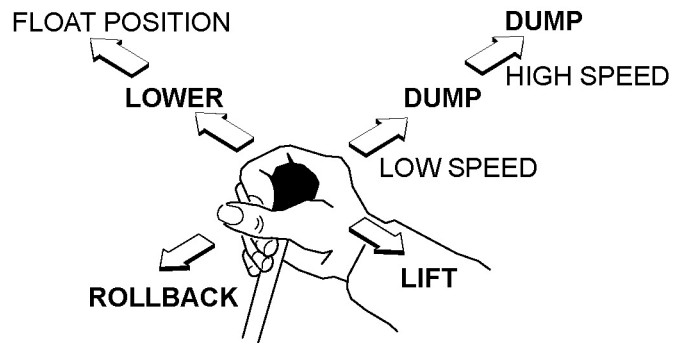


Figure 15. Hose Assembly & Loader Connection

Verify Control Movements

1. **Mount loader to tractor:** Remove mount pins from loader uprights. Align tractor with loader and slowly drive tractor into loader. Shut off tractor.
2. Connect loader feedline hoses to tractor control valve couplers. See Figure 15.
3. Comply with all safety rules and start the tractor.
4. Mount loader to tractor by activating bucket cylinders to raise or lower the loader uprights into the loader mounts. Slowly advance tractor forward, activating appropriate cylinders to engage loader completely into mounts. Insert mounting pins to secure loader.
5. Place feedline hoses between Hose guide and right loader mount as shown in Figure 17.
6. Check that all tractor hydraulic control lever positions operate the loader movements correctly. See Figure 16.
7. If loader movements do not respond correctly, shut off tractor, relieve pressure, and reconnect properly. Loader control movements must be correct before proceeding.
8. Once all loader functions are correct, start the tractor and operate the loader to check for leaks. Purge any remaining air from the hydraulic system and check oil level.
9. Attach the plastic tie straps (included in kit) every 20-inches around the hoses to keep them tightly bundled and away from contact with the ground or other moving parts on the tractor or loader.
10. Before operating the loader, make sure that the Pre-Delivery, Delivery, and Pre-Operation Check lists in the Loader Operator's Manual have been completed.



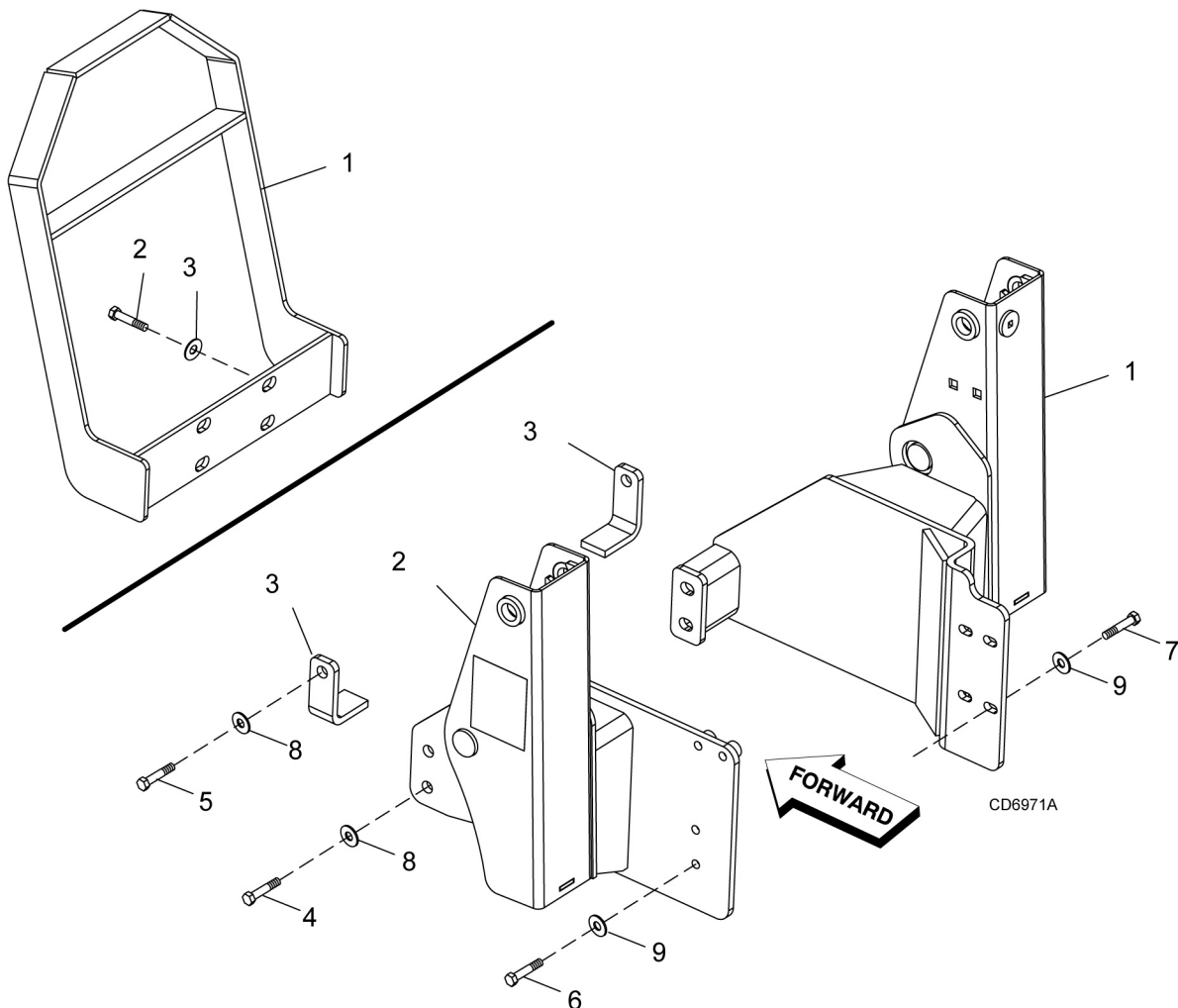
- Handle forward - Boom down
- Handle forward to limit - Float position
- Handle back - Boom up
- Handle right - Dump bucket or attachment (slow)
- Handle right to limit - Dump bucket or attachment (fast)
- Handle to left - Rollback bucket or attachment

Figure 16. Single Lever Control Operation



Figure 17. Hose Routing

2300003 LOADER MOUNTING KIT



2300003 LMK

REF	PART	QTY	DESCRIPTION
1	1023010	1	Right mount
2	1023011	1	Left mount
3	1018180	2	Oscillation stop
4	1024088	4	M20 x 2.5P x 100 mm HHCS CL10.9
5	1001377	2	M20 x 2.5P x 40 mm HHCS CL10.9
6	1028719	4	M14 x 2.0P x 60 mm HFS CL10.9
7	1028750	4	M14 x 2.0P x 40 mm HFS CL10.9
8	1006371	6	3/4 Hardened flat washer
9	1026300	8	14 mm Nord-Lock washer

1018190 Grill Guard

REF	PART	QTY	DESCRIPTION
1	1018190	1	Grill guard (optional)
2	1001377 †	4	M20 x 2.5P x 40 mm HHCS CL10.9
3	57798 †	4	3/4 Hardened flat washer
	†		Included with grill guard

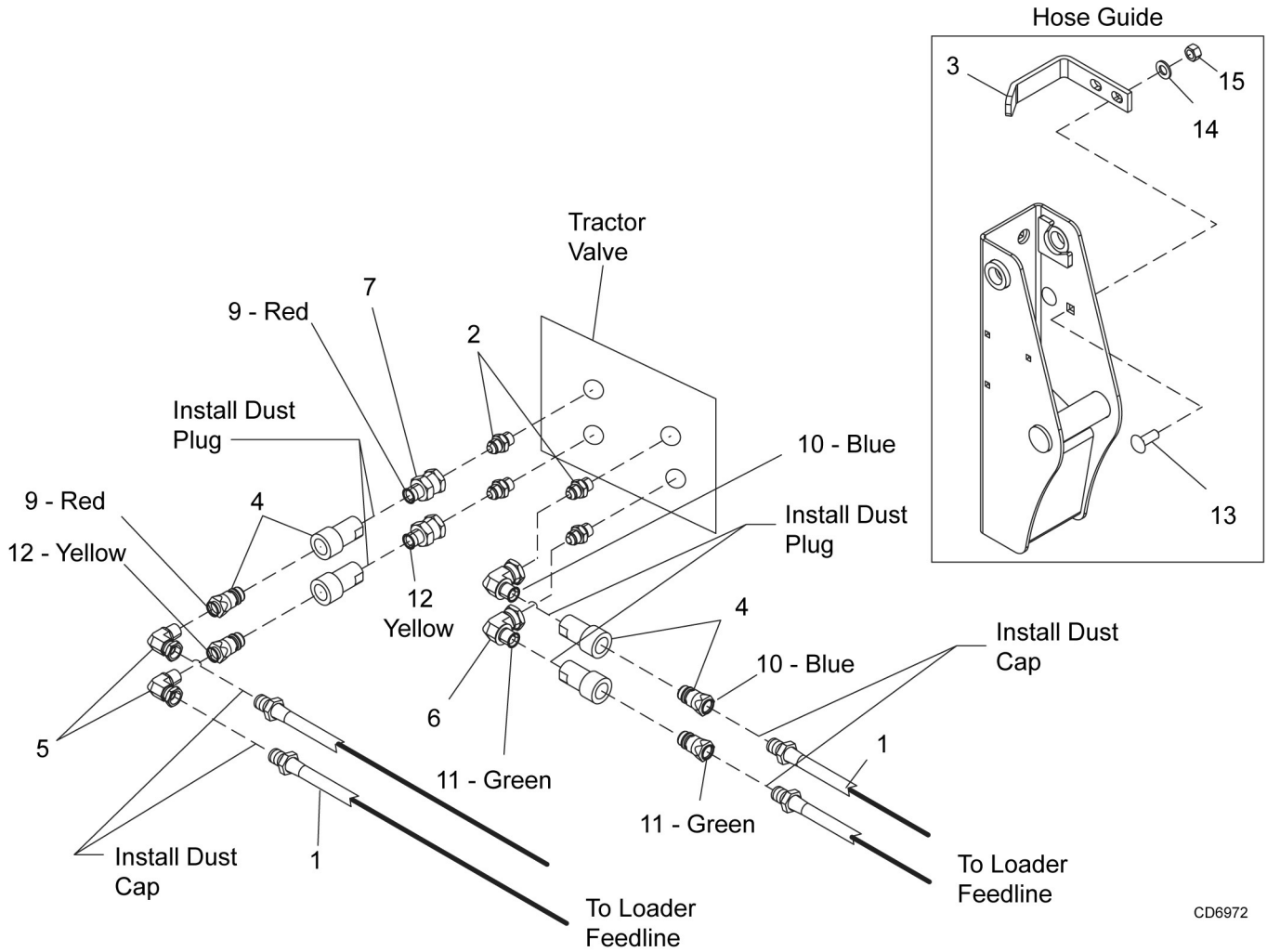
HFS Hex Flange Screw

HHCS Hex Head Cap Screw

12 Parts

MAN0572 (11/10/2006)

1018219 & 1023597 HOSE KIT



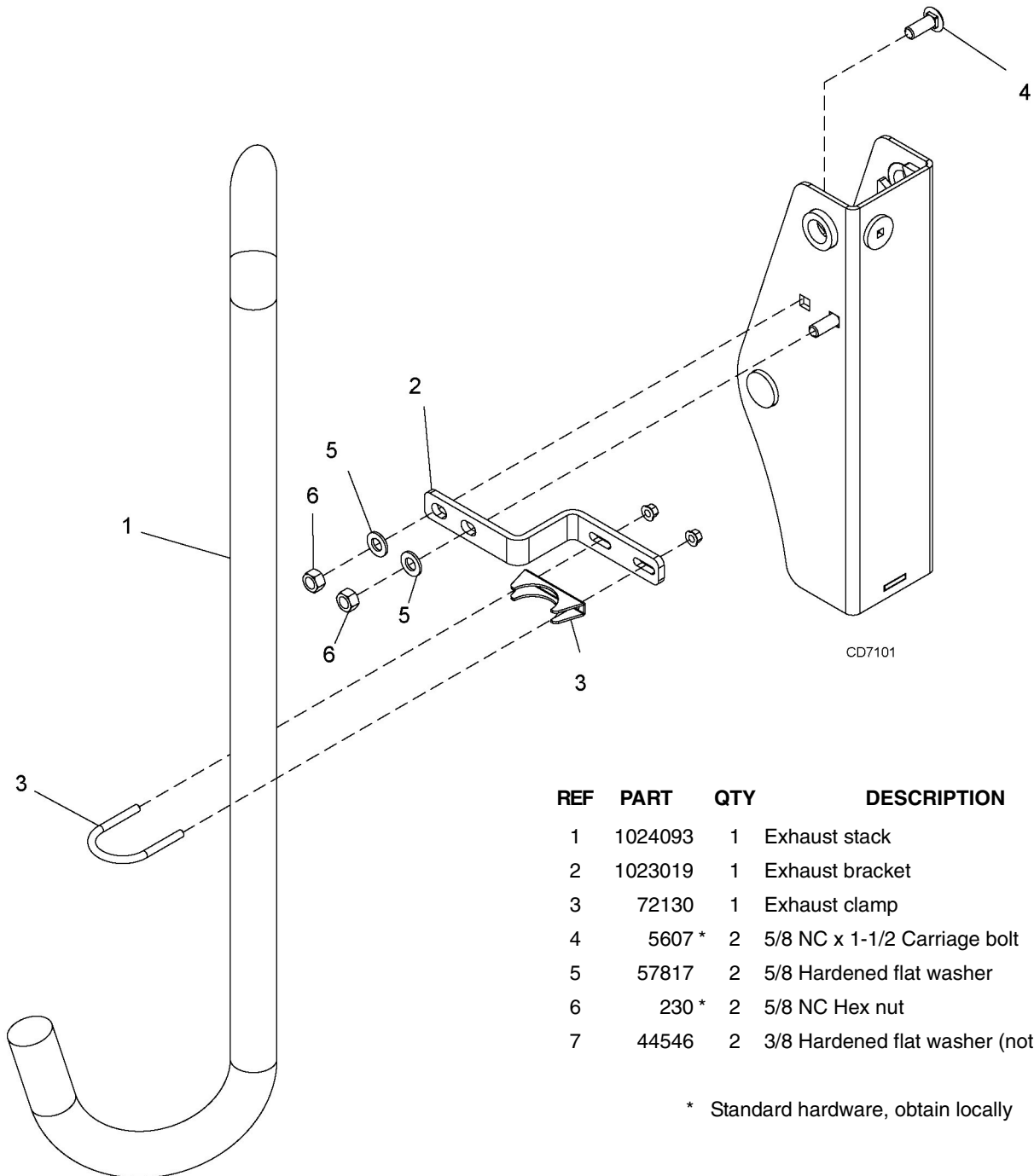
CD6972

REF	PART	QTY	DESCRIPTION
1	1023473	4	Hose, 125" x 1/2 NPTM x 3/4 JICM (1023597 Hose Kit)
1	1002878	4	Hose, 74" x 1/2 NPTM x 3/4 JICM (1018219 Hose Kit)
2	1012055	4	Adapter, M18 x 1.5M x 3/4 JICM
3	1020934	1	Hose guide
4	26124	4	Quick coupler set, male/female 1/2
5	3018	2	Elbow, 1/2 NPTM x 1/2 NPSF 90°
6	313053	2	Elbow, 1/2 NPTM x 3/4 JICF 90°
7	315058	2	Adapter, 1/2 NPTM x 3/4 JICF

REF	PART	QTY	DESCRIPTION
8	395058	4	Dust plug & cap set, black (not shown)
9	395061	2	Plastic spiral band, red
10	395062	2	Plastic spiral band, blue
11	56061	2	Plastic spiral band, green
12	56062	2	Plastic spiral band, yellow
13	5607 *	2	5/8 NC x 1-1/2 Carriage bolt
14	57817	2	5/8 Hardened flat washer
15	230 *	2	5/8 NC Hex nut
16	88 *	2	Plastic tie (not shown)

* Standard hardware, obtain locally

1024092 EXHAUST RELOCATION KIT



REF	PART	QTY	DESCRIPTION
1	1024093	1	Exhaust stack
2	1023019	1	Exhaust bracket
3	72130	1	Exhaust clamp
4	5607 *	2	5/8 NC x 1-1/2 Carriage bolt
5	57817	2	5/8 Hardened flat washer
6	230 *	2	5/8 NC Hex nut
7	44546	2	3/8 Hardened flat washer (not shown)

* Standard hardware, obtain locally

14 Parts

MAN0572 (11/10/2006)

BOLT TORQUE CHART

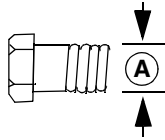
Always tighten hardware to these values unless a different torque value or tightening procedure is listed for a specific application.

Fasteners must always be replaced with the same grade as specified in the manual parts list.

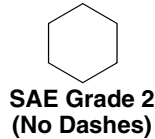
Always use the proper tool for tightening hardware: SAE for SAE hardware and Metric for metric hardware.

Make sure fastener threads are clean and you start thread engagement properly.

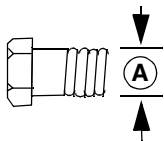
All torque values are given to specifications used on hardware defined by SAE J1701 MAR 99 & J1701M JUL 96.



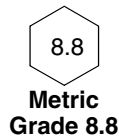
SAE SERIES TORQUE CHART



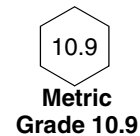
Ⓐ Diameter (Inches)	Wrench Size	MARKING ON HEAD					
		SAE 2		SAE 5		SAE 8	
		lbs-ft	N-m	lbs-ft	N-m	lbs-ft	N-m
1/4"	7/16"	6	8	10	13	14	18
5/16"	1/2"	12	17	19	26	27	37
3/8"	9/16"	23	31	35	47	49	67
7/16"	5/8"	36	48	55	75	78	106
1/2"	3/4"	55	75	85	115	120	163
9/16"	13/16"	78	106	121	164	171	232
5/8"	15/16"	110	149	170	230	240	325
3/4"	1-1/8"	192	261	297	403	420	569
7/8"	1-5/16"	306	416	474	642	669	907
1"	1-1/2"	467	634	722	979	1020	1383



METRIC SERIES TORQUE CHART



Metric Bolt Head Identification



Ⓐ Diameter & Thread Pitch (Millimeters)	Wrench Size	COARSE THREAD				FINE THREAD				Ⓐ Diameter & Thread Pitch (Millimeters)
		MARKING ON HEAD				MARKING ON HEAD				
		Metric 8.8		Metric 10.9		Metric 8.8		Metric 10.9		
		N-m	lbs-ft	N-m	lbs-ft	N-m	lbs-ft	N-m	lbs-ft	
6 x 1.0	10 mm	8	6	11	8	8	6	11	8	6 x 1.0
8 x 1.25	13 mm	20	15	27	20	21	16	29	22	8 x 1.0
10 x 1.5	16 mm	39	29	54	40	41	30	57	42	10 x 1.25
12 x 1.75	18 mm	68	50	94	70	75	55	103	76	12 x 1.25
14 x 2.0	21 mm	109	80	151	111	118	87	163	120	14 x 1.5
16 x 2.0	24 mm	169	125	234	173	181	133	250	184	16 x 1.5
18 x 2.5	27 mm	234	172	323	239	263	194	363	268	18 x 1.5
20 x 2.5	30 mm	330	244	457	337	367	270	507	374	20 x 1.5
22 x 2.5	34 mm	451	332	623	460	495	365	684	505	22 x 1.5
24 x 3.0	36 mm	571	421	790	583	623	459	861	635	24 x 2.0
30 x 3.0	46 mm	1175	867	1626	1199	1258	928	1740	1283	30 x 2.0

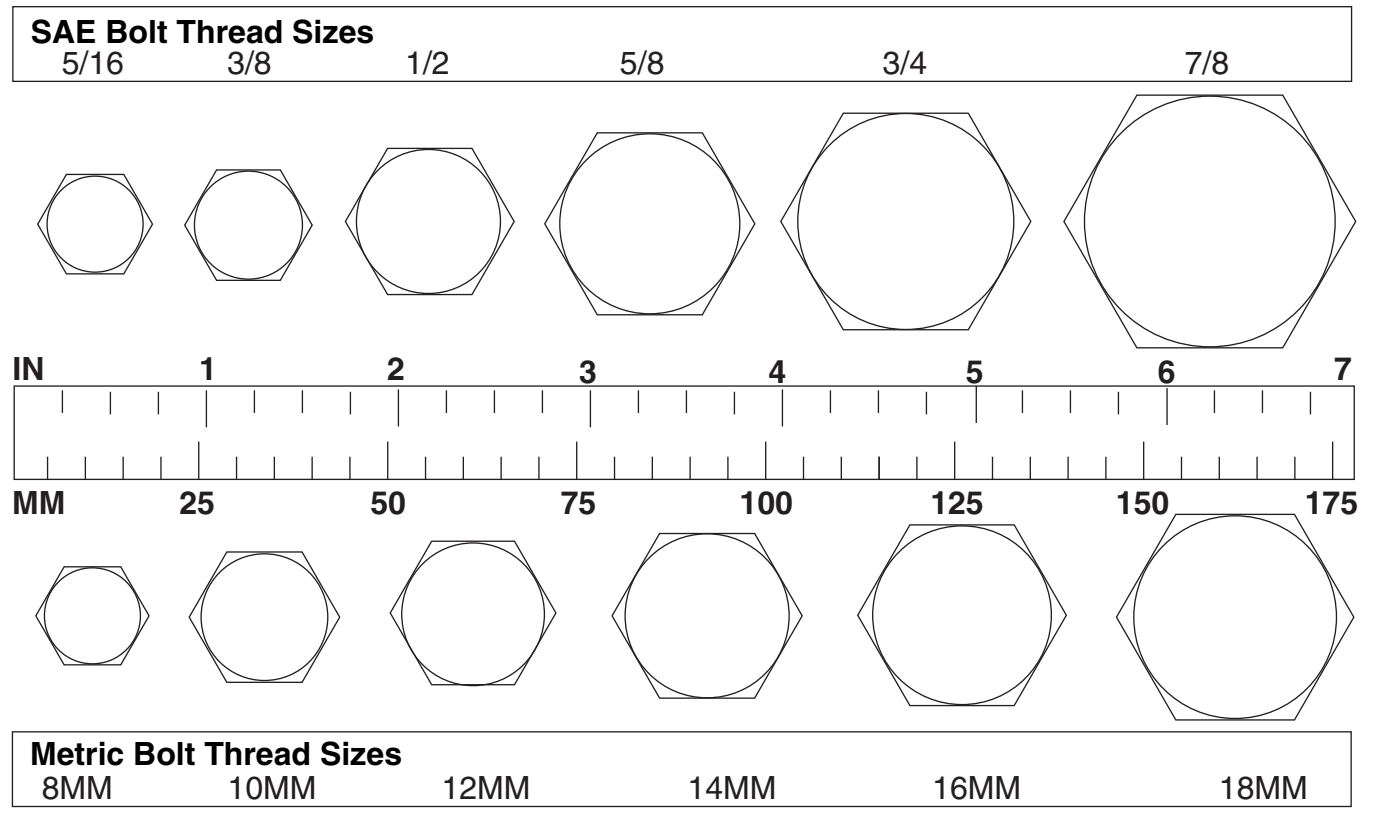
Typical Washer Installations

Bolt Lock Washer Flat Washer

8/9/00

BOLT SIZE CHART

NOTE: Chart shows bolt thread sizes and corresponding head (wrench) sizes for standard SAE and metric bolts.



ABBREVIATIONS

AG Agriculture
 ATF Automatic Transmission Fluid
 BSPP British Standard Pipe Parallel
 BSPTM British Standard Pipe Tapered Male
 CV Constant Velocity
 CCW Counter-Clockwise
 CW Clockwise
 F Female
 GA Gauge
 GR (5, etc.) Grade (5, etc.)
 HHCS Hex Head Cap Screw
 HT Heat-Treated
 JIC Joint Industry Council 37° Degree Flare
 LH Left Hand
 LT Left
 m Meter
 mm Millimeter
 M Male
 MPa Mega Pascal
 N Newton

NC National Coarse
 NF National Fine
 NPSM National Pipe Straight Mechanical
 NPT National Pipe Tapered
 NPT SWF National Pipe Tapered Swivel Female
 ORBM O-Ring Boss - Male
 P Pitch
 PBY Power-Beyond
 psi Pounds per Square Inch
 PTO Power Take Off
 QD Quick Disconnect
 RH Right Hand
 ROPS Roll-Over Protective Structure
 RPM Revolutions Per Minute
 RT Right
 SAE Society of Automotive Engineers
 UNC Unified Coarse
 UNF Unified Fine
 UNS Unified Special



WARRANTY

(All Models Except Mow'n Machine™ Zero-Turn Mowers and Woods Boundary™ Utility Vehicles)

Please Enter Information Below and Save for Future Reference.

Date Purchased: _____ From (Dealer): _____

Model Number: _____ Serial Number: _____

Woods Equipment Company ("WOODS") warrants this product to be free from defect in material and workmanship. Except as otherwise set forth below, the duration of this Warranty shall be for TWELVE (12) MONTHS COMMENCING ON THE DATE OF DELIVERY OF THE PRODUCT TO THE ORIGINAL PURCHASER.

Woods backhoe models BH70-X, BH80-X, and BH90-X are warranted for two (2) years from the date of delivery to the original purchaser.

The warranty periods for specific parts or conditions are listed below:

Part or Condition Warranted	Model Number	Duration (from date of delivery to the original purchaser)
Gearbox components	BW1260, BW1620, BW1800, BW2400	8 years
	BW240HD	7 years
	BB48X, BB60X, BB72X, BB84X, BB600X, BB720X, BB840X, BB6000X, BB7200X, BB8400X, DS1260, DSO1260, DS1440, TS1680, BW126-3, BW180-3, BW240	6 years
	PHD25, PHD35, PHD65, PHD95, 2162, 3240, DS96, DS120, RCC42, RM550-2, RM660-2, RM990-3, PRD6000, PRD7200, PRD8400, 7144RD-2, 9180RD-2, 9204RD-2, S15CD, S20CD, S22CD, S25CD, S27CD	5 years
	RDC54, RD60, RD72, TBW150C	3 years (1 year if used in rental or commercial applications)
Blade spindles	RM550-2, RM660-2, RM990-3, PRD6000, PRD7200, PRD8400, 7144RD-2, 9180RD-2, 9204RD-2	3 years
Rust-through	BB600, BB720, BB840, BB6000, BB7200, BB8400, BW126-3, BW180-3, BW1260, BW1800, BW240, BW240HD, 2162, 3240, DS1260, DSO1260, DS1440, TS1680	10 years

Under no circumstances will this Warranty apply in the event that the product, in the good faith opinion of WOODS, has been subjected to improper operation, improper maintenance, misuse, or an accident. This Warranty does not apply in the event that the product has been materially modified or repaired by someone other than WOODS, a WOODS authorized dealer or distributor, and/or a WOODS authorized service center. This Warranty does not cover normal wear or tear, or normal maintenance items. This Warranty also does not cover repairs made with parts other than those obtainable through WOODS.

This Warranty is extended solely to the original purchaser of the product. Should the original purchaser sell or otherwise transfer this product to a third party, this Warranty does not transfer to the third party purchaser in any way. There are no third party beneficiaries of this Warranty.

WOODS makes no warranty, express or implied, with respect to engines, batteries, tires or other parts or accessories not manufactured by WOODS. Warranties for these items, if any, are provided separately by their respective manufacturers.

WOODS' obligation under this Warranty is limited to, at WOODS' option, the repair or replacement, free of charge, of the product if WOODS, in its sole discretion, deems it to be defective or in noncompliance with this Warranty. **The product must be returned to WOODS with proof of purchase within thirty (30) days after such defect or noncompliance is discovered or should have been discovered, routed through the dealer and distributor from whom the purchase was made, transportation charges prepaid.** WOODS shall complete such repair or replacement within a reasonable time after WOODS receives the product. **THERE ARE NO OTHER REMEDIES UNDER THIS WARRANTY. THE REMEDY OF REPAIR OR REPLACEMENT IS THE SOLE AND EXCLUSIVE REMEDY UNDER THIS WARRANTY.**

THERE ARE NO WARRANTIES WHICH EXTEND BEYOND THE DESCRIPTION ON THE FACE OF THIS WARRANTY. WOODS MAKES NO OTHER WARRANTY, EXPRESS OR IMPLIED, AND WOODS SPECIFICALLY DISCLAIMS ANY IMPLIED WARRANTY OF MERCHANTABILITY AND/OR ANY IMPLIED WARRANTY OF FITNESS FOR A PARTICULAR PURPOSE.

WOODS shall not be liable for any incidental or consequential losses, damages or expenses, arising directly or indirectly from the product, whether such claim is based upon breach of contract, breach of warranty, negligence, strict liability in tort or any other legal theory. Without limiting the generality of the foregoing, Woods specifically disclaims any damages relating to (i) lost profits, business, revenues or goodwill; (ii) loss of crops; (iii) loss because of delay in harvesting; (iv) any expense or loss incurred for labor, supplies, substitute machinery or rental; or (v) any other type of damage to property or economic loss.

This Warranty is subject to any existing conditions of supply which may directly affect WOODS' ability to obtain materials or manufacture replacement parts.

No agent, representative, dealer, distributor, serviceperson, salesperson, or employee of any company, including without limitation, WOODS, its authorized dealers, distributors, and service centers, is authorized to alter, modify, or enlarge this Warranty.

Answers to any questions regarding warranty service and locations may be obtained by contacting:

Woods Equipment Company
 2606 South Illinois Route 2
 Post Office Box 1000
 Oregon, Illinois 61061 USA
 800-319-6637 tel
 800-399-6637 fax
 www.WoodsEquipment.com



ALITEC™
BMP®
CENTRAL FABRICATORS®
GANNON®
GILL®
WAIN-ROY®
WOODS®



WARRANTY

(Replacement Parts For All Models Except Mow'n Machine™
Zero-Turn Mowers and Woods Boundary™ Utility Vehicles)

Woods Equipment Company ("WOODS") warrants this product to be free from defect in material and workmanship for a period of ninety (90) days from the date of delivery of the product to the original purchaser with the exception of V-belts, which will be free of defect in material and workmanship for a period of 12 months.

Under no circumstances will this Warranty apply in the event that the product, in the good faith opinion of WOODS, has been subjected to improper operation, improper maintenance, misuse, or an accident. This Warranty does not cover normal wear or tear, or normal maintenance items.

This Warranty is extended solely to the original purchaser of the product. Should the original purchaser sell or otherwise transfer this product to a third party, this Warranty does not transfer to the third party purchaser in any way. There are no third party beneficiaries of this Warranty.

WOODS' obligation under this Warranty is limited to, at WOODS' option, the repair or replacement, free of charge, of the product if WOODS, in its sole discretion, deems it to be defective or in noncompliance with this Warranty. **The product must be returned to WOODS with proof of purchase within thirty (30) days after such defect or noncompliance is discovered or should have been discovered, routed through the dealer and distributor from whom the purchase was made, transportation charges prepaid.** WOODS shall complete such repair or replacement within a reasonable time after WOODS receives the product. THERE ARE NO OTHER REMEDIES UNDER THIS WARRANTY. THE REMEDY OF REPAIR OR REPLACEMENT IS THE SOLE AND EXCLUSIVE REMEDY UNDER THIS WARRANTY.

THERE ARE NO WARRANTIES WHICH EXTEND BEYOND THE DESCRIPTION ON THE FACE OF THIS WARRANTY. WOODS MAKES NO OTHER WARRANTY, EXPRESS OR IMPLIED, AND WOODS SPECIFICALLY DISCLAIMS ANY IMPLIED WARRANTY OF MERCHANTABILITY AND/OR ANY IMPLIED WARRANTY OF FITNESS FOR A PARTICULAR PURPOSE.

WOODS shall not be liable for any incidental or consequential losses, damages or expenses, arising directly or indirectly from the product, whether such claim is based upon breach of contract, breach of warranty, negligence, strict liability in tort or any other legal theory. Without limiting the generality of the foregoing, Woods specifically disclaims any damages relating to (i) lost profits, business, revenues or goodwill; (ii) loss of crops; (iii) loss because of delay in harvesting; (iv) any expense or loss incurred for labor, supplies, substitute machinery or rental; or (v) any other type of damage to property or economic loss.

This Warranty is subject to any existing conditions of supply which may directly affect WOODS' ability to obtain materials or manufacture replacement parts.

No agent, representative, dealer, distributor, service person, salesperson, or employee of any company, including without limitation, WOODS, its authorized dealers, distributors, and service centers, is authorized to alter, modify, or enlarge this Warranty.

Answers to any questions regarding warranty service and locations may be obtained by contacting:

Woods Equipment Company

2606 South Illinois Route 2
Post Office Box 1000
Oregon, Illinois 61061

800-319-6637 tel
800-399-6637 fax
www.WoodsEquipment.com

ALITEC™

BMP®

CENTRAL FABRICATORS®

GANNON®

GILL®

WAIN-ROY®

WOODS®

Free Manuals Download Website

<http://myh66.com>

<http://usermanuals.us>

<http://www.somanuals.com>

<http://www.4manuals.cc>

<http://www.manual-lib.com>

<http://www.404manual.com>

<http://www.luxmanual.com>

<http://aubethermostatmanual.com>

Golf course search by state

<http://golfingnear.com>

Email search by domain

<http://emailbydomain.com>

Auto manuals search

<http://auto.somanuals.com>

TV manuals search

<http://tv.somanuals.com>