

# Instruction Sheet

## Model D3271

### Air Regulator w/Filter

#### INTRODUCTION

The SHOP FOX® Air Regulator w/Filter (Figure 1) is great for controlling air pressure, trapping moisture and cleaning air in pneumatic systems.

#### SETUP

The Model D3271 accepts 1/4" NPT threads. Mount the regulator as close as possible to the air tools. Keep in mind that water will drain from the collection cup when the airline is not pressurized, so do not mount in a moisture sensitive location. See Figure 2 for airline connection information.

#### ADJUSTMENT

The Model D3271 features a locking adjustment knob. Pull the knob up to adjust the pressure, and push the knob down to lock the adjustment knob in place. **DO NOT** adjust the regulator over 150 PSI!

#### MAINTENANCE

Always drain the collection cup if moisture reaches the max. drain level. This can be done in two ways: 1) Depressurize the airline; 2) Push the drain valve up.

Unscrew the collection cup and clean with a clean dry cloth as needed. Avoid using solvents or cleaners that would be hazardous to the cup material!

#### CUSTOMER SERVICE

For questions contact Woodstock International Technical Support at (360) 734-3482, or send e-mail to: [tech-support@shopfox.biz](mailto:tech-support@shopfox.biz).

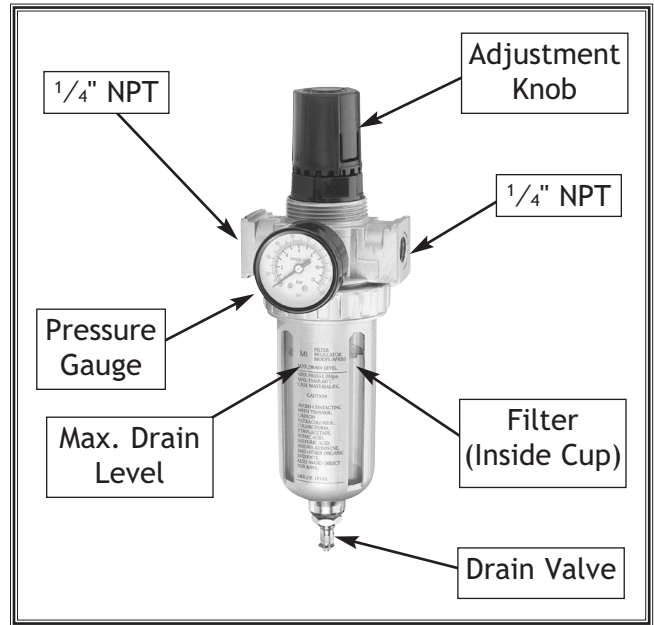


Figure 1. Model D3271.

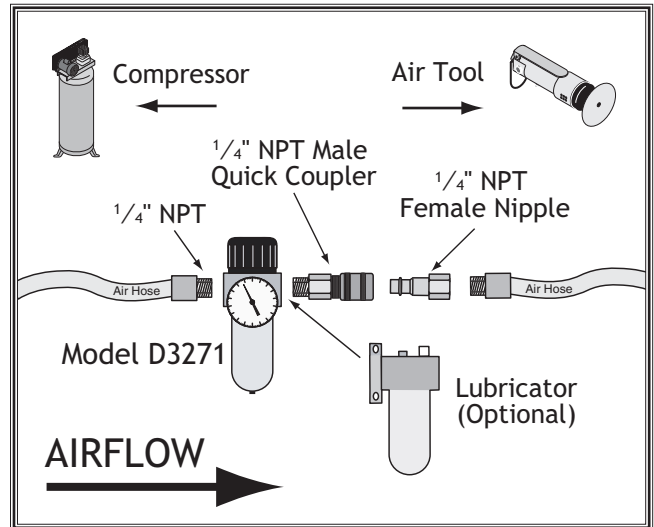


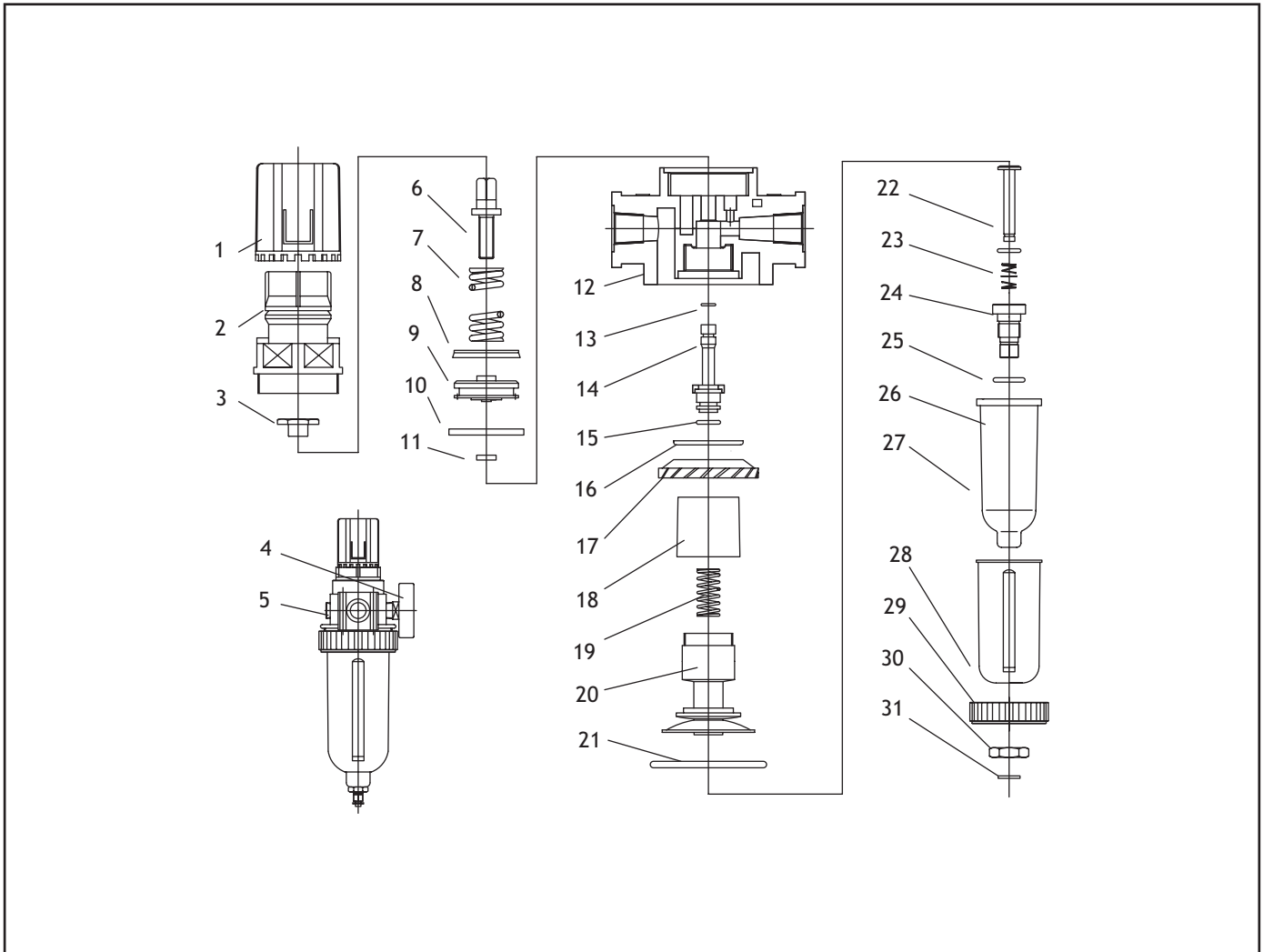
Figure 2. Typical airline layout, showing placement of the regulator.

COPYRIGHT © BY WOODSTOCK INTERNATIONAL, INC.

**WARNING: NO PORTION OF THIS DOCUMENT MAY BE REPRODUCED IN ANY SHAPE OR FORM WITHOUT THE WRITTEN APPROVAL OF WOODSTOCK INTERNATIONAL, INC.**

SEPTEMBER 2003, PRINTED IN CHINA.

# D3271 Parts Diagram



REF	PART #	DESCRIPTION
1	XD3271001	PRESSURE ADJ. REVOLVER
2	XD3271002	REVOLVER SEAT
3	XD3271003	SCREW CAP ADJ.
4	XD3271004	BAROMETER
5	XD3271005	SPECIAL SET SCREW 10MM
6	XD3271006	BOLT ADJ.
7	XD3271007	COMPRESSED SPRING
8	XD3271008	SEALING WASHER (YX)
9	XD3271009	PISTON
10	XD3271010	RECTANGLE WASHER
11	XD3271011	RECTANGLE WASHER
12	XD3271012	SEAT
13	XD3271013	O-RING
14	XD3271014	PRESSURE ADJ. POLE
15	XD3271015	O-RING
16	XD3271016	HALF O-RING

REF	PART #	DESCRIPTION
17	XD3271017	FILTER COVER
18	XD3271018	FILTER WEB
19	XD3271019	SPRING
20	XD3271020	FILTER SET
21	XD3271021	O-RING
22	XD3271022	EMIT WATER PIN
23	XD3271023	O-RING
24	XD3271024	EMIT WATER SPRING
25	XD3271025	EMIT WATER SEAT
26	XD3271026	O-RING
27	XD3271027	OUTER SLEEVE
28	XD3271028	COLLAR
29	XD3271029	OUTER SLEEVE
30	XD3271030	EMIT WATER NUT
31	XPEC02M	E-CLIP 4MM

## Free Manuals Download Website

<http://myh66.com>

<http://usermanuals.us>

<http://www.somanuals.com>

<http://www.4manuals.cc>

<http://www.manual-lib.com>

<http://www.404manual.com>

<http://www.luxmanual.com>

<http://aubethermostatmanual.com>

Golf course search by state

<http://golfingnear.com>

Email search by domain

<http://emailbydomain.com>

Auto manuals search

<http://auto.somanuals.com>

TV manuals search

<http://tv.somanuals.com>