



Model W1746 Fine Air Filter Instruction Sheet

Introduction

Your new **SHOP FOX**® Model W1746 Fine Air Filter is specially designed to filter out particles that are 0.3 microns or larger in size. Some of the typical particles that the filter will remove are smoke, dust mites, pollen, mold spores, and general airborne debris. However, the resulting air quality will depend on the size of the room and the ventilation. This fan is not designed to operate in wet environments or environments with flammable gasses. Place the fan on the floor, desk, table, or file cabinet; begin fan operation, and enjoy cleaner air in the office or at home immediately.

Operation

Push the **FAN ON/OFF** button to select: Power **ON**, 200 CFM on High, 140 CFM on Medium, and 100 CFM on Low.

Push the **FAN OFF DELAY** button to select continuous operation, three-hour operation, two-hour operation, or one-hour operation before it automatically shuts OFF.

Maintenance/Service

The filter cannot be cleaned, and must be replaced with a new 13.25" x 14.25" x 1.25" 0.3 micron filter.

Note: For a modified room fragrance, you can install an aftermarket fragrance sponge in the drawer at the back of the fan unit.

To replace the filter element, do these steps:

1. DISCONNECT THE FILTER UNIT FROM POWER!
2. Do the three steps shown in **Figure 1**, on each side of the fan unit. **DO NOT PRY ON OR FORCE THE COVER OFF!**
3. Wipe out the filter housing and replace the filter element.
4. Reinstall the front cover and snap it back into place.

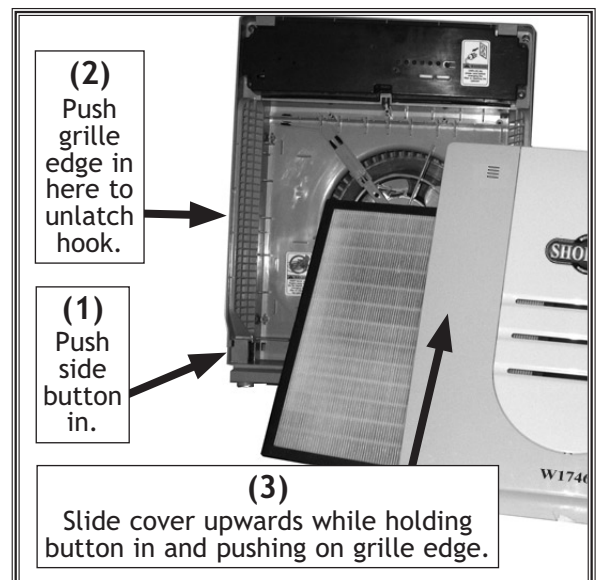
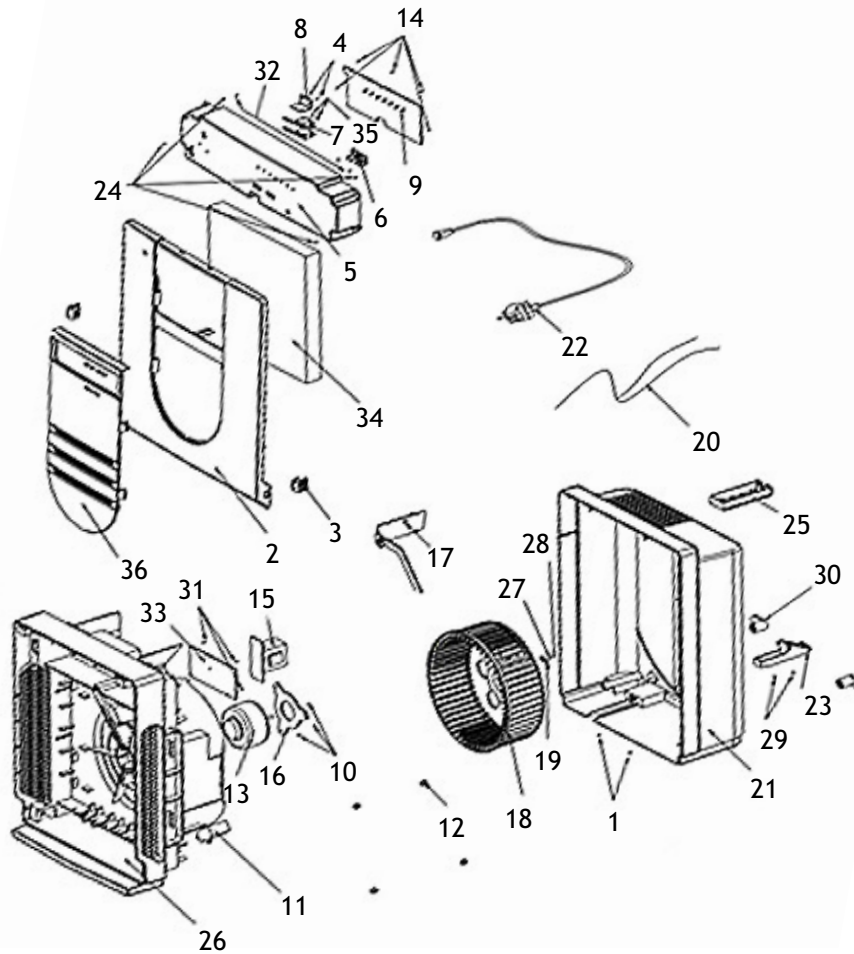


Figure 1. Filter access.



REF	PART #	DESCRIPTION
1	XPS38M	PHLP HD SCR M4-.7 X 10
2	X1746002	MAIN PANEL
3	X1746003	HOOK HOUSING
4	XPS38M	PHLP HD SCR M4-.7 X 10
5	X1746005	CONTROL BOX
6	X1746006	BUTTON
7	X1746007	SWTICH
8	X1746008	SWITCH BRACKET
9	X1746009	PANEL
10	XPS38M	PHLP HD SCR M4-.7 X 10
11	X1746011	INTERNAL CAPACITOR
12	X1746012	RUBBER FOOT
13	X1746013	MOTOR
14	XPS79M	PHLP HD SCR M3-.5 X 8
15	X1746015	CAPACITOR 8-MFD
16	X1746016	MOTOR MOUNTING PLATE
17	X1746017	MOUNTING PLATE
18	X1746018	FAN CAGE

REF	PART #	DESCRIPTION
19	X1746019	LOCK TAB
20	X1746020	LEAD WIRE
21	X1746021	REAR HOUSING
22	X1746022	POWER CORD
23	X1746023	CORD GUIDE
24	XPS38M	PHLP HD SCR M4-.7 X 10
25	X1746025	AIR FRESHENER TRAY
26	X1746026	FAN HOUSING
27	X1746027	GASKET
28	XPNO4M	HEX NUT M4-0.7
29	XPS38M	PHLP HD SCR M4-.7 X 10
30	X1746030	CORD GUIDE
31	XPS79M	PHLP HD SCR M3-.5 X 8
32	XPS38M	PHLP HD SCR M4-.7 X 10
33	X1746033	POWER BOARD
34	X1746034	0.3 MICRON FILTER
35	XPS34	PHLP HD SCR M3-.5 X 25
36	X1746036	SUB PANEL

COPYRIGHT © FEBRUARY, 2006 BY WOODSTOCK INTERNATIONAL, INC.
WARNING: NO PORTION OF THIS MANUAL MAY BE REPRODUCED IN ANY SHAPE OR FORM WITHOUT
THE WRITTEN APPROVAL OF WOODSTOCK INTERNATIONAL, INC.

#7983CR Printed in China

Free Manuals Download Website

<http://myh66.com>

<http://usermanuals.us>

<http://www.somanuals.com>

<http://www.4manuals.cc>

<http://www.manual-lib.com>

<http://www.404manual.com>

<http://www.luxmanual.com>

<http://aubethermostatmanual.com>

Golf course search by state

<http://golfingnear.com>

Email search by domain

<http://emailbydomain.com>

Auto manuals search

<http://auto.somanuals.com>

TV manuals search

<http://tv.somanuals.com>