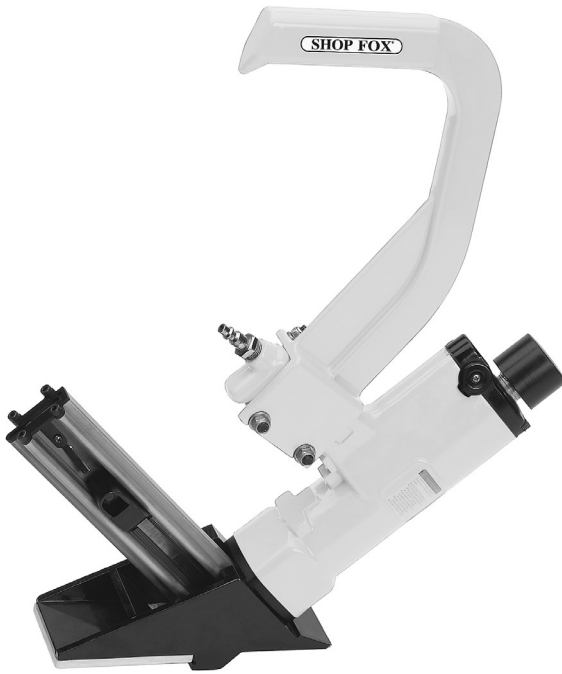




MODEL W1783 FLOORING NAILER



OWNER'S MANUAL

(FOR MACHINES MANUFACTURED SINCE 2/07)

Phone: (360) 734-3482 · Online Technical Support: tech-support@shopfox.biz

COPYRIGHT © JUNE, 2007 BY WOODSTOCK INTERNATIONAL, INC., REVISED NOVEMBER, 2009 (TS)
WARNING: NO PORTION OF THIS MANUAL MAY BE REPRODUCED IN ANY SHAPE OR FORM WITHOUT
THE WRITTEN APPROVAL OF WOODSTOCK INTERNATIONAL, INC.

#9627TS Printed in China

WARNING!

This manual provides critical safety instructions on the proper setup, operation, maintenance and service of this machine/equipment.

Failure to read, understand and follow the instructions given in this manual may result in serious personal injury, including amputation, electrocution or death.

The owner of this machine/equipment is solely responsible for its safe use. This responsibility includes but is not limited to proper installation in a safe environment, personnel training and usage authorization, proper inspection and maintenance, manual availability and comprehension, application of safety devices, blade/cutter integrity, and the usage of personal protective equipment.

The manufacturer will not be held liable for injury or property damage from negligence, improper training, machine modifications or misuse.

WARNING!

Some dust created by power sanding, sawing, grinding, drilling, and other construction activities contains chemicals known to the State of California to cause cancer, birth defects or other reproductive harm. Some examples of these chemicals are:

- Lead from lead-based paints.
- Crystalline silica from bricks, cement and other masonry products.
- Arsenic and chromium from chemically-treated lumber.

Your risk from these exposures varies, depending on how often you do this type of work. To reduce your exposure to these chemicals: Work in a well ventilated area, and work with approved safety equipment, such as those dust masks that are specially designed to filter out microscopic particles.

SAFETY

WARNING

For Your Own Safety Read Instruction Manual Before Operating This Equipment

The purpose of safety symbols is to attract your attention to possible hazardous conditions. This manual uses a series of symbols and signal words which are intended to convey the level of importance of the safety messages. The progression of symbols is described below. Remember that safety messages by themselves do not eliminate danger and are not a substitute for proper accident prevention measures.

DANGER

Indicates an imminently hazardous situation which, if not avoided, **WILL** result in death or serious injury.

WARNING

Indicates a potentially hazardous situation which, if not avoided, **COULD** result in death or serious injury.

CAUTION

Indicates a potentially hazardous situation which, if not avoided, **MAY** result in minor or moderate injury. It may also be used to alert against unsafe practices.

NOTICE

This symbol is used to alert the user to useful information about proper operation of the equipment.

WARNING

Safety Instructions for Pneumatic Tools

1. **KEEP ALL SAFETY DEVICES IN PLACE** and in working order.
2. **REMOVE ADJUSTING KEYS AND WRENCHES.** Form habit of checking to see that keys and adjusting wrenches are removed from tool before operation.
3. **KEEP WORK AREA CLEAN.** Cluttered areas and benches invite accidents.
4. **DO NOT USE IN DANGEROUS ENVIRONMENT.** Do not use pneumatic tools in damp or wet locations, or where any flammable or noxious fumes may exist. Keep work area well lighted.
5. **KEEP CHILDREN AND VISITORS AWAY.** All children and visitors should be kept at a safe distance from work area.
6. **MAKE WORKSHOP CHILD PROOF** by locking your shop and shutting off air valves.
7. **DO NOT FORCE TOOL.** It will do the job better and safer at the rate for which it was designed.
8. **USE THE RIGHT TOOL.** Do not force tool or attachment to do a job for which it was not designed.
9. **DO NOT USE UNDER THE INFLUENCE OF DRUGS OR ALCOHOL.**

WARNING

Safety Instructions for Pneumatic Tools

10. **USE PROPER AIR HOSE** for the tool. Make sure your air hose is in good condition and is long enough to reach your work without stretching.
11. **WEAR PROPER APPAREL.** Do not wear loose clothing, gloves, neckties, rings, bracelets, or other jewelry which may get caught in moving parts. Non-slip footwear is recommended. Wear a protective hair covering to contain long hair.
12. **ALWAYS USE SAFETY GLASSES.** Also use a face or dust mask if cutting operation is dusty. Everyday eyeglasses only have impact resistant lenses, they are NOT safety glasses.
13. **WEAR APPROVED HEARING PROTECTION.** Air escaping from pneumatic tools can exceed safe exposure limits and may cause hearing damage with prolonged exposure.
14. **SECURE WORK.** Use clamps or a vise to hold work when practical. It is safer than using your hand and frees both hands to operate tool.
15. **MAINTAIN TOOLS WITH CARE.** Keep tools lubricated and clean for best and safest performance. Follow instructions for lubricating and changing accessories.
16. **REDUCE THE RISK OF UNINTENTIONAL FIRING.** Do not carry tool with hand on trigger and always disconnect from air when not in use.
17. **DISCONNECT TOOLS** before servicing, changing accessories, or moving to another location.
18. **DO NOT OVERREACH.** Keep proper footing/balance at all times.
19. **USE THE RECOMMENDED ACCESSORIES.** Consult owner's manual for recommended accessories. The use of improper accessories may cause risk of injury.
20. **CHECK FOR DAMAGED PARTS BEFORE USING.** Check for binding and alignment of parts, broken parts, part mounting, loose bolts, and any other conditions that may affect machine operation. Repair or replace damaged parts.
21. **NEVER LEAVE UNATTENDED TOOL CONNECTED TO AIR.** Disconnect the air hose and do not leave tool until it is relieved of any built up pressure.
22. **NEVER ALLOW UNTRAINED USERS TO USE THIS TOOL WHILE UNSUPERVISED.**
23. **IF YOU ARE UNSURE OF THE INTENDED OPERATION, STOP USING TOOL.** Seek formal training or research books or magazines that specialize in pneumatic tools.
24. **BE AWARE OF HOSE LOCATION WHEN USING PNEUMATIC TOOLS.** Hoses can easily become a tripping hazard when laid across the floor or spread out in a disorganized fashion.

WARNING

Additional Safety for Nailers/Staplers

1. **HAND INJURIES:** Do not place your hands near the nail point of entry. A nail can deflect and tear through the surface of the workpiece, puncturing your hand or fingers.
2. **COMBUSTIBLE GASES:** Never connect the nailer to pressurized oxygen or other combustible gases as a power source. Only use filtered, lubricated, and regulated compressed air.
3. **SAFE HANDLING:** Never point the nailer at others! Do not keep the trigger pulled when loading fasteners, carrying, or holding tool. Carry the nailer only by the handle, never by any other part. Do not carry the nailer by the air hose. Disconnect the nailer from the air hose when going up and down ladders.
4. **CLEANING:** Never use gasoline or other flammable liquids to clean the nailer; vapors in the nailer will ignite by a spark and cause it to explode.
5. **HOSE USAGE:** Make sure your air hose is designed for the tool in use, is in good condition, and is long enough to reach your work without stretching. However, an overly long air hose in the work area may be a tripping hazard.
6. **OPERATING QUESTIONS:** If you are not sure about the intended operation, stop using the nailer. Seek formal training.
7. **MAINTENANCE:** Always disconnect air from the nailer when servicing or installing nails. During maintenance, a nailer connected to air may fire accidentally, causing serious personal injury.
8. **COMPRESSED AIR RATING:** Do not connect the nailer to compressed air that exceeds 120 PSI.
9. **CHECK VALVE:** Do not use a check valve or any other fitting that allows air to remain in the tool.
10. **MODIFICATIONS: DO NOT** modify this tool or bypass safety mechanisms.

WARNING

Never point this nailer at yourself or another person! Always pay attention to the direction this nailer is pointed. Use this tool with respect and caution to lessen the possibility of operator or bystander injury. Ignoring this warning may result in serious personal injury.

CAUTION

Nailer/stapler accidents routinely happen while moving the gun to another location, such as up ladders, to another room, or even another job site. Always disconnect the gun immediately after use and never transport the gun while connected to the air—even if the air compressor is disconnected from its power source!

INTRODUCTION

Woodstock Technical Support

The Model W1783 Flooring Nailer has been specially designed to provide many years of trouble-free service. Close attention to detail, ruggedly built parts and a rigid quality control program assure safe and reliable operation.

Woodstock International, Inc. is committed to customer satisfaction. Our intent with this manual is to include the basic information for safety, setup, operation, maintenance, and service of this product.

We stand behind our tools! In the event that questions arise about your tool, please contact Woodstock International Technical Support at (360) 734-3482 or send e-mail to: tech-support@shopfox.biz. Our knowledgeable staff will help you troubleshoot problems and process warranty claims.

If you need the latest edition of this manual, you can download it from <http://www.shopfox.biz>.

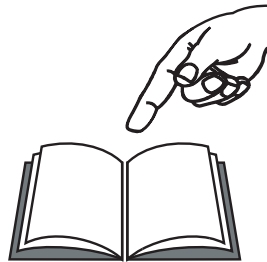
If you have comments about this manual, please contact us at:

Woodstock International, Inc.
Attn: Technical Documentation
Manager
P.O. Box 2309
Bellingham, WA 98227
Email: manuals@woodstockint.com

Tool Data

Nail Length.....	1"-2"
Magazine Capacity.....	100 Nails
Air Inlet.....	1/4" NPT
Nailer Weight.....	11 1/3 lbs.
Hammer Weight.....	2 1/2 lbs.
Operating Pressure.....	70-110 PSI

WARNING



Read the manual before operation. Become familiar with this nailer, its safety instructions, and its operation before beginning any work. Serious personal injury may result if safety or operational information is not understood or followed.

CAUTION

No list of safety guidelines can be complete. Every shop environment is different. Always consider safety first, as it applies to your individual working conditions. Use this and other tools with caution and respect. Failure to do so could result in serious personal injury, damage to equipment or poor work results.

Compressed Air System

The Model W1783 is designed to be operated at 70-110 PSI using clean, dry, regulated, compressed air. **Do not exceed the 120 PSI maximum pressure for your model.**

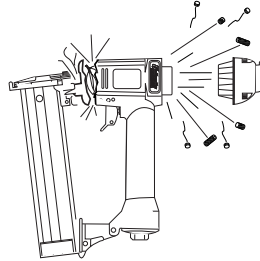
Before using your nailer, regulate the air pressure to find the optimum setting within the specified operating range. Start by testing the nailer at a low setting, then increase the air pressure as needed for satisfactory results.

An in-line filter/lubricator/regulator unit can be installed as depicted in **Figure 1**.

This filter/lubricator/regulator unit will protect your tool from damaging water build-up, allow you to adjust and maintain regulated air pressure, and save you the inconvenience of having to manually lubricate your tool every time you use it.

If you plan on installing a filter/lubricator/regulator unit in your compressed air system, always follow the connection instructions that come with the unit.

CAUTION



Exceeding the maximum permissible operating pressure may damage the nailer and cause it to malfunction. To protect yourself from personal injury, DO NOT allow the air pressure to exceed the recommended pressure for this nailer!

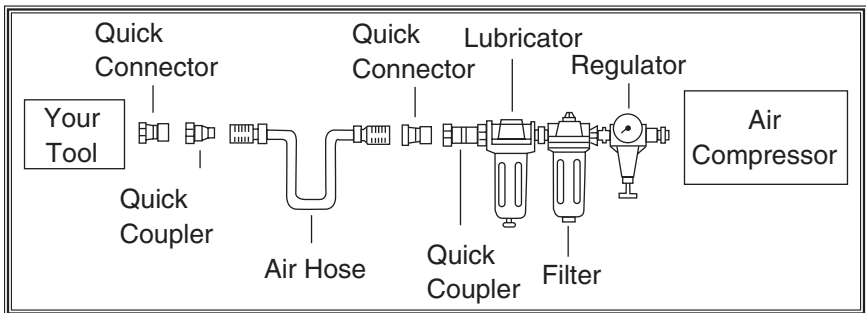


Figure 1. Typical filter/lubricator/regulator installation order.

SETUP

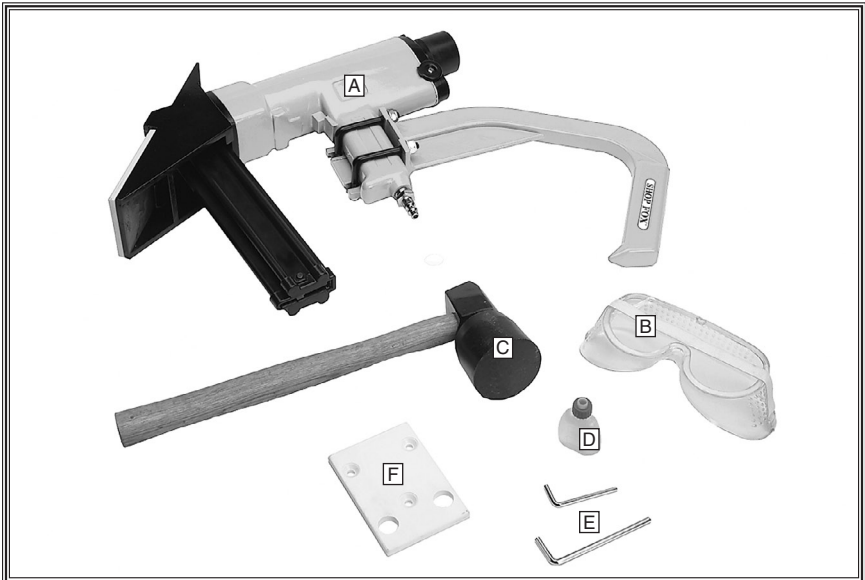
Unpacking

This tool has been carefully packaged for safe transportation. If you notice the tool has been damaged during shipping, please contact your authorized Shop Fox dealer immediately.

Inventory

The following is a description of the main components shipped with the Model W1783. Lay the components out to inventory them.

Note: *If you can't find an item on this list, check the mounting location on the tool or examine the packaging materials carefully. Occasionally we pre-install certain components for safer shipping.*



Model W1783 Inventory	Qty
A. Flooring Nailer w/1/2" Base Plate	1
B. Safety Goggles.....	1
C. Hammer	1
D. Bottle for Oil	1
E. Hex Wrenches 4mm, 5mm.....	1 Each
F. 3/4" Base Plate	1

OPERATIONS

Loading

When replacing nails in your Model W1783, follow these guidelines:

Nails..... L-Shaped Cleat Nails
 Length: 1"-2"
 Capacity: 100

Note: Use 1 1/2" nails to install 1/2" flooring, and 2" nails to install 3/4" flooring.

To load your nailer, do these steps:

1. DISCONNECT NAILER FROM THE AIR SUPPLY!
2. Slide a strip of nails, pointed-end down, into the rear of the magazine, as shown in **Figure 2**.



Figure 2. Loading nails into the nailer.

3. Press the button inside the pusher (see inset photo, **Figure 2**), pull the pusher all the way back, then allow the pusher to slide forward against the nail strip.

Operating

If you have not read the safety instructions in this manual, do not operate the nailer.

Before you operate your nailer, place five to six drops of the included oil into the quick connect fitting where the nailer connects to the air supply.

The Model W1783 comes with two base plates:

- The thinner base plate is for use with 3/4" flooring.
- The thicker base plate is for use with 1/2" flooring.

To operate your nailer, do these steps:

1. Install the correct base plate for your size of flooring material.
2. Place the flooring nailer on the floor with the nail discharge facing down, then connect the air supply.

WARNING

Always point the nailer at the ground when connecting to the air supply. **DO NOT** aim it in the direction of another person or yourself. Failure to heed this warning could result in serious personal injury.

3. Position a flooring strip and tap it into place with the metal side of the included hammer.

NOTICE

DO NOT use the nailer to position the flooring strip. Doing so will damage the nailer and possibly the flooring strip.

Note: If you are using pre-finished flooring material, test the nailer on a sample strip. If the nailer base plate is damaging or marring the flooring surface, replace it with a new one.

- Place the nailer on the flooring strip, as shown in **Figure 3**.



Figure 3. Positioning nailer on flooring strip and operating.

CAUTION

DO NOT place your hands near the nail point of entry. A nail can deflect and tear through the surface of the workpiece, puncturing your hand or fingers.

- Make sure the cleat on the nailer base plate is lined up with the edge of the groove on the flooring strip.
- Using the *rubber* end of the included hammer, hit the whack cap of the nailer *ONCE* with a light to medium force to shoot a nail into the wood.

WARNING

Never hit the whack cap of the nailer multiple times to drive the nail into the wood. If necessary, use a hammer and nail punch to drive the nail in. Failure to heed this warning could cause a nail jam or a ricochet, and serious personal injury.

- Check the nail for satisfactory penetration.
 - If the nail depth is satisfactory, proceed with your project.
 - If the nail depth is too shallow, slightly increase the air pressure.
 - If the nail depth is too deep, slightly decrease the air pressure.

Note: Nailing penetration is not always consistent due to variations in the flooring material. If necessary, use a hammer and nail punch to finish seating the nail.

Clearing Jammed Nails

A jammed nail must be cleared before using the nailer again.

To clear a jammed nail from the discharge area, do these steps:

- DISCONNECT NAILER FROM THE AIR SUPPLY!
- Pull the magazine pusher all the way back and remove the nail stick.

3. The jammed nail should be visible in the discharge area.
 - If the jammed nail can be removed with needle nose pliers, do so and continue to **Step 7**.
 - If you cannot remove the jammed nail, then continue with **Step 4**.
4. Use the 4mm hex wrench and remove the four cap screws and lock washers that secure the magazine to the nailer (see **Figure 4**).

Note: *It may be necessary to remove the base plate to pull the magazine out.*

7. Throw the damaged nail away and insert a new nail stick that only contains clean, undamaged nails. **DO NOT** use dirty or damaged nails!

Replacing Pistons/ O-Rings

Under heavy use, the piston or O-rings may wear out. Replacement is quick and easy. Contact your authorized Shop Fox dealer to obtain the Piston Repair Kit (Part Number X1783068) or Complete O-Ring Kit (Part Number X1783070).

To replace the piston and O-rings, do these steps:

1. DISCONNECT NAILER FROM THE AIR SUPPLY!
2. Remove all the nails from the magazine.
3. Use the 4mm hex wrench and remove the four cap screws and lock washers that secure the magazine to the nailer (see **Figure 4**).

Note: *It may be necessary to remove the base plate to pull the magazine out.*

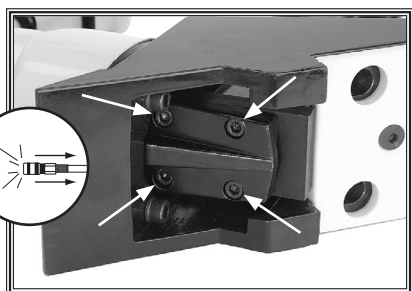


Figure 4. Location of cap screws securing the magazine to the nailer.

5. Remove the jammed nail from inside the discharge area with a pair of need nose pliers (see **Figure 5**).

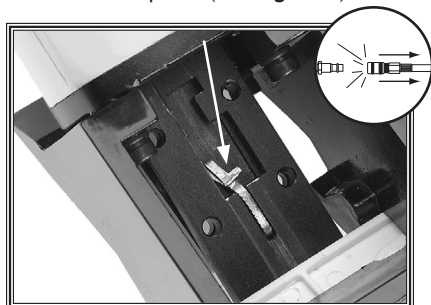


Figure 5. Jammed nail in discharge area.

6. Re-install the magazine.

⚠ WARNING

!

Always disconnect nailer from air whenever servicing! During maintenance, a nailer connected to air may fire accidentally, causing serious personal injury!

- Use a 5mm hex wrench to remove the four cap screws that secure the base to the nailer body (see Figure 6).

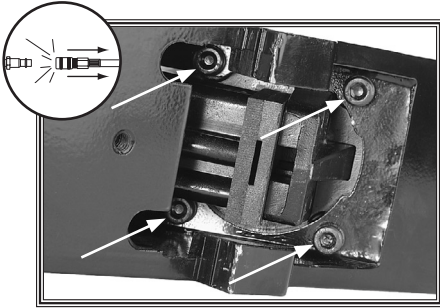


Figure 6. Cap screws that secure the base to the nailer body.

- Carefully slide the base from the nailer body, and remove the large base washer and rubber bumper (see Figure 7).

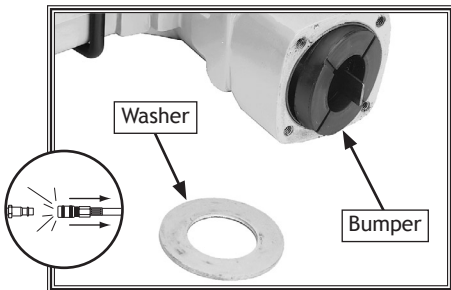


Figure 7. Washer and rubber bumper.

- Use a flat head screwdriver to pry off the whack cap (see Figure 8).

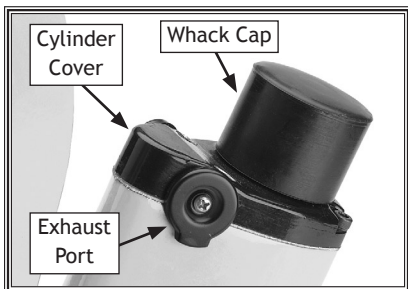


Figure 8. Whack cap and cylinder cover.

- Remove the four cap screws and lock washers from the cylinder cover, and remove it from the nailer body.
- Remove the three cap screws from the top of the plunger (see Figure 9).

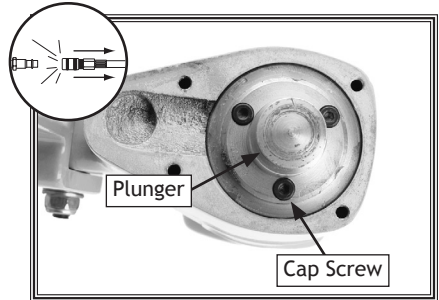


Figure 9. Plunger and cap screws.

- From the bottom of the nailer, pull out the piston assembly.
- Push the piston into the sealing sleeve and remove the sealing cap from the top of the piston.
- Pull the piston from the sleeve (see Figure 10).

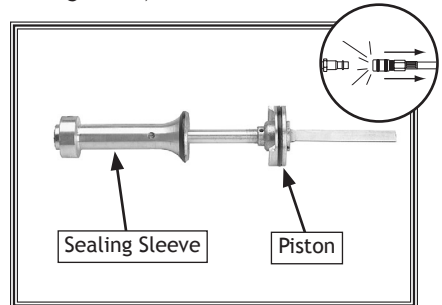


Figure 10. Piston assembly.

- Apply a thin film of tool oil to the new O-rings before installing them to seat them properly on the parts.
- Reverse the steps above to reassembly the nailer with the new piston.

CLEANING & LUBRICATION

Cleaning

Use a good solvent to clean the nose assembly of the nailer. Always be sure that the nailer is dry before using it again.

Do not allow dust, chips, sand, etc. into the air connectors or into the body of the nailer; this may result in leaks and damage to the nailer and the air couplings.

**WARNING**



Never clean this tool with gasoline or other flammable liquids. Vapors in the tool may ignite, causing the tool to explode. Ignoring this warning may lead to serious personal injury or even death!

Lubricating

Place two to six drops of pneumatic tool oil in the nailer air inlet (as shown in **Figure 11**) every 2 hours of continuous use. Wipe off any excess oil near the nailer exhaust to avoid dust build-up.

Another option to manual oiling would be to simply install a lubricator in your air compressor line. If your air compressor line already has a lubricator, then regular lubrication of your nailer will not be necessary. Just make sure there is always oil in the lubricator.

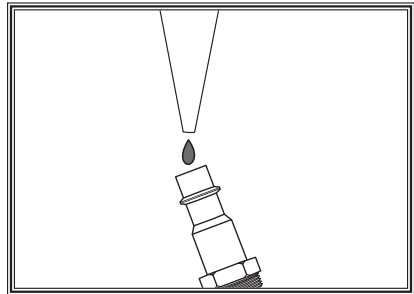
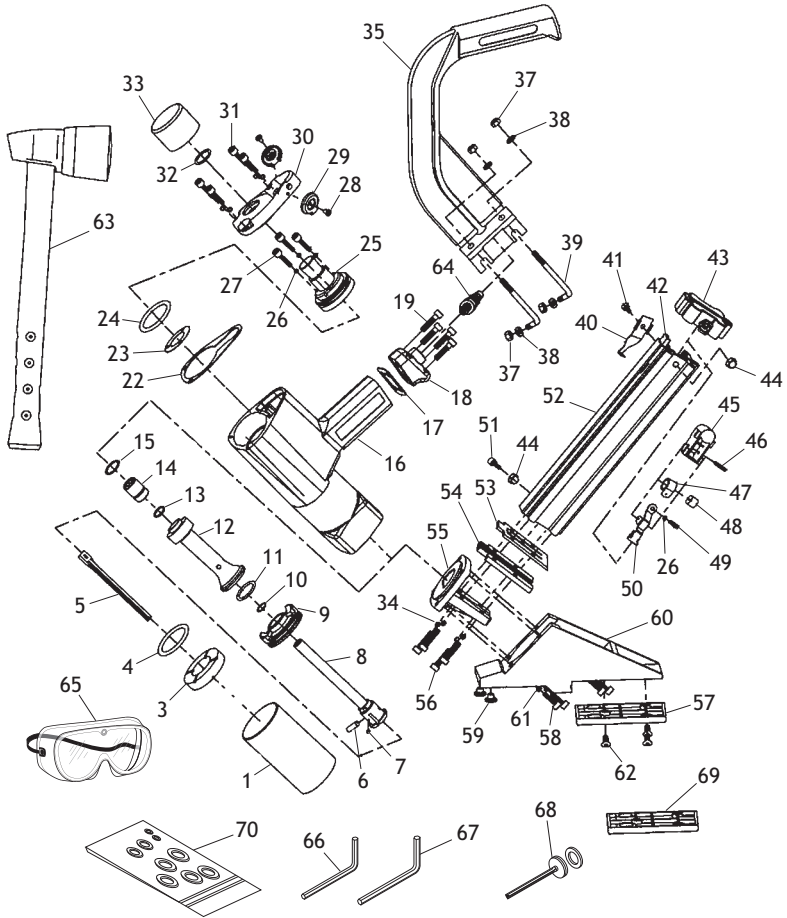


Figure 11. Lubricating nailer via air inlet.

PARTS BREAKDOWN



PARTS LIST

REF PART #	DESCRIPTION	
1	X1783001	CYLINDER
3	X1783003	BUMPER
4	XPORP050	O-RING 49.7 X 3.5 P50
5	X1783005	DRIVER
6	XPRP07M	ROLL PIN 6 X 20
7	XPSS31M	SET SCREW M5-.8 X 8
8	X1783008	PISTON POLE
9	X1783009	PISTON HEAD
10	XPORP012-5	O-RING 12.3 X 2.4 P12.5
11	X1783011	O-RING 32 X 4.5
12	X1783012	SEALING SLEEVE
13	X1783013	O-RING 12.8 X 1.8
14	X1783014	SEALING CAP
15	X1783015	O-RING 15.6 X 1.8
16	X1783016	GUN BODY
17	X1783017	HANDLE GASKET
18	X1783018	END CAP
19	XPCAP39M	CAP SCREW M4-.7 X 20
22	X1783022	CYLINDER GASKET
23	X1783023	SLEEVE GASKET
24	XPORP046	O-RING 45.7 X 3.5 P46
25	X1783025	PISTON SEAT
26	XPLW02M	LOCK WASHER 4MM
27	XPCAP16M	CAP SCREW M4-.7 X 16
28	XPS56M	PHLP HD SCR M4-.7 X 16
29	X1783029	EXHAUST COVER
30	X1783030	CYLINDER COVER
31	XPSB53M	CAP SCREW M5-.8 X 18
32	XPORP025	O-RING 24.7 X 3.5 P25
33	X1783033	WHACK CAP
34	XPW02M	FLAT WASHER 5MM
35	X1783035	HANDLE
37	XPLN04M	LOCK NUT M8-1.25

REF PART #	DESCRIPTION	
38	XPW01M	FLAT WASHER 8MM
39	X1783039	L-BOLT
40	X1783040	STOPPER
41	XPS38M	PHLP HD SCR M4-.7 X 10
42	X1783042	MAGAZINE SEAT
43	X1783043	MAGAZINE END CAP
44	XPLN01M	LOCK NUT M4-.7
45	X1783045	PUSHER SEAT
46	XPRP42M	ROLL PIN 3 X 20
47	X1783047	FLAT COIL SPRING
48	X1783048	SPRING BUSHING
49	X1783049	COMPRESSION SPRING
50	X1783050	PUSHER
51	XPS07M	PHLP HD SCR M4-.7 X 8
52	X1783052	MAGAZINE
53	X1783053	NAIL GUIDE
54	X1783054	NAIL GUIDE COVER
55	X1783055	DISCHARGE BRACKET
56	XPCAP95M	CAP SCREW M5-.8 X 30
57	X1783057	BASE PLATE 1/2" FLOORING
58	XPCAP95M	CAP SCREW M5-.8 X 30
59	X1783059	RUBBER BUTTON
60	X1783060	BASE
61	XPW02M	FLAT WASHER 5MM
62	XPFH03M	FLAT HD SCR M6-1 X 40
63	X1783063	MALLET
64	X1783064	AIR PLUG 1/4 NPT
65	X1783065	SAFETY GOGGLES
66	XPAW03M	HEX WRENCH 3MM
67	XPAW04M	HEX WRENCH 4MM
68	X1783068	PISTON REPAIR KIT
69	X1783069	BASE PLATE 3/4" FLOORING
70	X1783070	COMPLETE O-RING KIT

Troubleshooting

Symptom	Possible Cause	Possible Solution
Air leaking at whack cap area.	1. O-rings in plunger/cylinder housing are damaged.	1. O-rings must be replaced & operation checked.
Air leaking between housing and hose	1. Loose screws in housing. 2. Damaged O-ring. 3. Loose air fitting.	1. Tighten screws. 2. Replace O-ring 3. Tighten air fitting & use teflon tape.
Air leaking between housing and cap.	1. Damaged seal.	1. Replace damaged seals.
Tool skips nails while discharging.	1. Excessive air pressure. 2. Air leaks. 3. Dirt in nose. 4. Dirt or damage prevents nails from moving freely. 5. Inadequate air flow to tool. 6. Worn piston O-ring or lack of lubrication. 7. Damaged plunger/cylinder O-rings. 8. Worn bumper. 9. Cap seal leaking.	1. Reduce air pressure to tool. 2. Tighten screws and fittings. 3. Clean nose. 4. Clean magazine and inspect/repair damage. 5. Check fittings, hose, compressor, and air pressure. 6. Replace O-ring and lubricate. 7. Replace plunger/cylinder O-rings. 8. Replace bumper. 9. Replace cap seal.
Tool runs slowly or has a loss of power.	1. Undersized air hose. 2. Nailer is not lubricated. 3. Broken spring in cap assembly. 4. Exhaust ports on cylinder cap are blocked.	1. Use a larger hose. 2. Lubricate nailer. 3. Replace spring. 4. Clean or replace damaged internal parts.
Fasteners frequently jam the nailer.	1. Nails are the wrong size. 2. Nails are bent or dirty. 3. Magazine or nose screws are loose. 4. Driver or driver guide are worn or damaged. 5. Nails are wrong angle.	1. Use correct nails. 2. Use undamaged, clean nails. 3. Tighten magazine. 4. Replace worn or damaged parts. 5. Use correct angle nails.
Nailer does not fire.	1. Nailer is not lubricated. 2. Nail is jammed in magazine or discharge area. 3. Piston shaft is damaged. 4. Air pressure too low.	1. Follow lubricating instructions. 2. Clear nailer magazine or discharge area. 3. Replace piston shaft. 4. Check/increase air pressure.
Air blows out of exhaust cap; nailer will not fire.	1. O-ring slipped out of groove or damaged inside nailer.	1. Reinstall/replace suspect O-ring; turn down air pressure.

Warranty Registration

Name _____
Street _____
City _____ State _____ Zip _____
Phone # _____ Email _____ Invoice # _____
Model # _____ Serial # _____ Dealer Name _____ Purchase Date _____

The following information is given on a voluntary basis. It will be used for marketing purposes to help us develop better products and services. Of course, all information is strictly confidential.

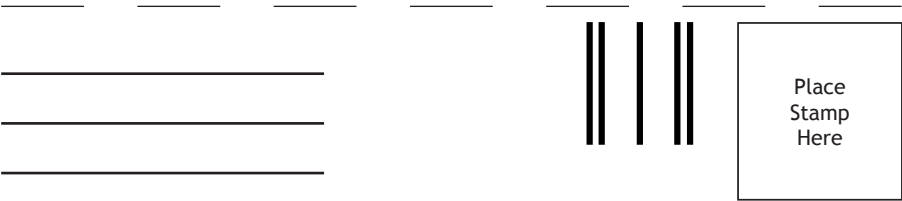
- How did you learn about us?
Advertisement _____ Friend _____ Local Store _____
Mail Order Catalog _____ Website _____ Other: _____
- How long have you been a woodworker/metalworker?
0-2 Years _____ 2-8 Years _____ 8-20 Years _____ 20+ Years _____
- How many of your machines or tools are Shop Fox?
0-2 _____ 3-5 _____ 6-9 _____ 10+ _____
- Do you think your machine represents a good value? _____ Yes _____ No
- Would you recommend Shop Fox products to a friend? _____ Yes _____ No
- What is your age group?
20-29 _____ 30-39 _____ 40-49 _____
50-59 _____ 60-69 _____ 70+ _____
- What is your annual household income?
\$20,000-\$29,000 _____ \$30,000-\$39,000 _____ \$40,000-\$49,000 _____
\$50,000-\$59,000 _____ \$60,000-\$69,000 _____ \$70,000+ _____
- Which of the following magazines do you subscribe to?

<input type="checkbox"/> Cabinet Maker	<input type="checkbox"/> Popular Mechanics	<input type="checkbox"/> Today's Homeowner
<input type="checkbox"/> Family Handyman	<input type="checkbox"/> Popular Science	<input type="checkbox"/> Wood
<input type="checkbox"/> Hand Loader	<input type="checkbox"/> Popular Woodworking	<input type="checkbox"/> Wooden Boat
<input type="checkbox"/> Handy	<input type="checkbox"/> Practical Homeowner	<input type="checkbox"/> Woodshop News
<input type="checkbox"/> Home Shop Machinist	<input type="checkbox"/> Precision Shooter	<input type="checkbox"/> Woodsmith
<input type="checkbox"/> Journal of Light Cont.	<input type="checkbox"/> Projects in Metal	<input type="checkbox"/> Woodwork
<input type="checkbox"/> Live Steam	<input type="checkbox"/> RC Modeler	<input type="checkbox"/> Woodworker West
<input type="checkbox"/> Model Airplane News	<input type="checkbox"/> Rifle	<input type="checkbox"/> Woodworker's Journal
<input type="checkbox"/> Modeltec	<input type="checkbox"/> Shop Notes	<input type="checkbox"/> Other: _____
<input type="checkbox"/> Old House Journal	<input type="checkbox"/> Shotgun News	

9. Comments: _____

CUT ALONG DOTTED LINE

FOLD ALONG DOTTED LINE



WOODSTOCK INTERNATIONAL INC.
P.O. BOX 2309
BELLINGHAM, WA 98227-2309



FOLD ALONG DOTTED LINE

TAPE ALONG EDGES--PLEASE DO NOT STAPLE

WARRANTY AND RETURNS

Woodstock International, Inc. warrants all Shop Fox machinery to be free of defects from workmanship and materials for a period of two years from the date of original purchase by the original owner. This warranty does not apply to defects due directly or indirectly to misuse, abuse, negligence or accidents, lack of maintenance, or reimbursement of third party expenses incurred.

Woodstock International, Inc. will repair or replace, at its expense and at its option, the Shop Fox machine or machine part which in normal use has proven to be defective, provided that the original owner returns the product prepaid to a Shop Fox factory service center with proof of their purchase of the product within two years, and provides Woodstock International, Inc. reasonable opportunity to verify the alleged defect through inspection. If it is determined there is no defect, or that the defect resulted from causes not within the scope of Woodstock International Inc.'s warranty, then the original owner must bear the cost of storing and returning the product.

This is Woodstock International, Inc.'s sole written warranty and any and all warranties that may be implied by law, including any merchantability or fitness, for any particular purpose, are hereby limited to the duration of this written warranty. We do not warrant that Shop Fox machinery complies with the provisions of any law or acts. In no event shall Woodstock International, Inc.'s liability under this warranty exceed the purchase price paid for the product, and any legal actions brought against Woodstock International, Inc. shall be tried in the State of Washington, County of Whatcom. We shall in no event be liable for death, injuries to persons or property or for incidental, contingent, special or consequential damages arising from the use of our products.

Every effort has been made to ensure that all Shop Fox machinery meets high quality and durability standards. We reserve the right to change specifications at any time because of our commitment to continuously improve the quality of our products.

Free Manuals Download Website

<http://myh66.com>

<http://usermanuals.us>

<http://www.somanuals.com>

<http://www.4manuals.cc>

<http://www.manual-lib.com>

<http://www.404manual.com>

<http://www.luxmanual.com>

<http://aubethermostatmanual.com>

Golf course search by state

<http://golfingnear.com>

Email search by domain

<http://emailbydomain.com>

Auto manuals search

<http://auto.somanuals.com>

TV manuals search

<http://tv.somanuals.com>