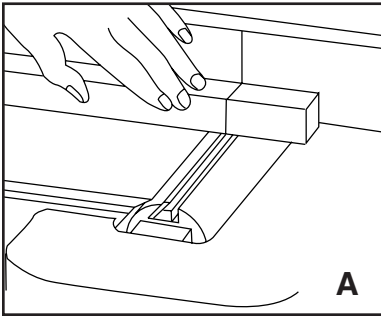




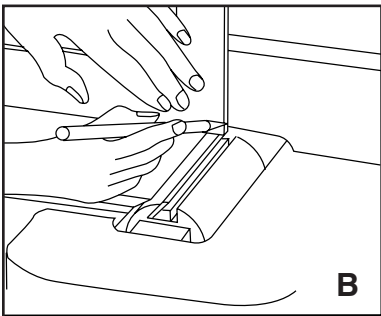
# JOINTER PAL® JOINTER KNIFE SETTING JIG INSTRUCTIONS FOR USE

## Preparation



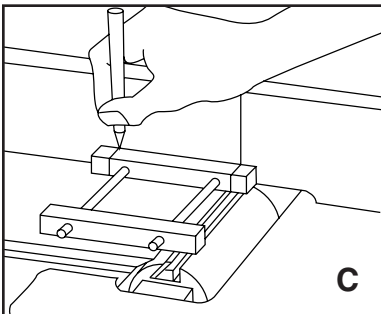
1. Disconnect jointer from power source.
2. Move the jointer fence all the way to the rear of the jointer table. The fence should be aligned 90° to the outfeed table. The fences on some of the new jointers automatically align themselves when tightened, but older jointers often employ a “free floating” fence which should be carefully aligned perpendicular to the outfeed table. Jointer Pal will work without a fence, but it is much easier to use the fence as a jig indexing guide when knife changing or shifting.

## Finding Top Dead Center

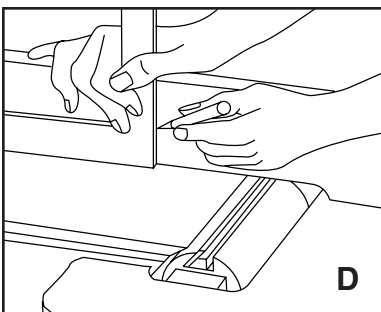


1. Locate the high point of the cutterhead rotation by placing a straightedge (wood or metal) on the outfeed table and extending it over the cutterhead. **See sketch A at left.**
2. Rock the cutterhead back and forth until the cutting edge of the topmost knife barely touches the underside of the straightedge. The apex of this arc is top dead center, or TDC.

## Indexing the Fence



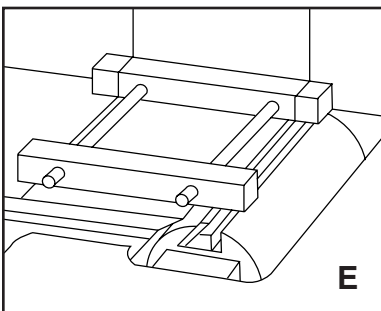
1. Leaving the cutterhead at TDC, mark a corresponding spot on the fence using a steel square and black felt-tip marker. With the steel square in the same position, scribe (scratch) a heavy vertical line on the fence directly in line with the high point of rotation of the topmost knife. Use a scribe or any sharp tool that is harder than your jointer’s fence. **See sketch B at left.**
2. Place Jointer Pal in position on the outfeed table, flush against the fence, and align the scribe mark on the Jointer Pal with the scribed line on the fence. The corresponding scribe mark on the Jointer Pal passes directly over the centers of the powerful permanent magnets at the high point of the cutterhead. With the front scribe mark of the Jointer Pal aligned with the scribe mark on the fence, mark a corresponding spot on the fence with the rear scribe mark of the Jointer Pal. **See Sketch C at left.**



3. Remove Jointer Pal and place a steel square over this mark and scribe another heavy vertical line on the fence (**see sketch D at left**). You now have two heavy vertical lines on the fence, about 4" apart. With the square in the same location, flip it down so it rests flat on the outfeed table and at a right angle with the fence. Scribe a 90° line across the outfeed table corresponding exactly with the rear vertical line on the fence.

4. Jointer Pal is shown here (**sketch E**) in full indexed position with the two scribe lines in the rear jig body aligned with the corresponding vertical lines on the fence and horizontal line on the outfeed table. Jointer Pal will now hold your jointer knives precisely in place while you tighten them in the cutterhead.

## Knife Setting



To set the knives, lift the jig off the outfeed table, insert the knife into the cutterhead and place the jig on the outfeed table with all the scribe marks aligned (**see sketch E**). Rotate the cutterhead so the tip of the knife lines up with the scribe mark on the fence. Tighten the knife in the cutterhead. Repeat for the remaining knives.

Instead of replacing or sharpening nicked knives, you can “shift” them. Simply loosen the knives in the cutterhead and shift them so the nicks do not overlap. Ensure that the tip of each knife lines up with the scribe mark on the fence and retighten in the cutterhead.

## Free Manuals Download Website

<http://myh66.com>

<http://usermanuals.us>

<http://www.somanuals.com>

<http://www.4manuals.cc>

<http://www.manual-lib.com>

<http://www.404manual.com>

<http://www.luxmanual.com>

<http://aubethermostatmanual.com>

Golf course search by state

<http://golfingnear.com>

Email search by domain

<http://emailbydomain.com>

Auto manuals search

<http://auto.somanuals.com>

TV manuals search

<http://tv.somanuals.com>